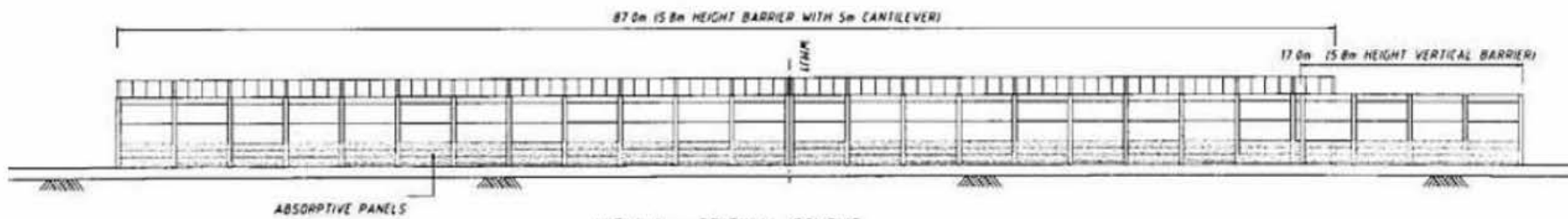
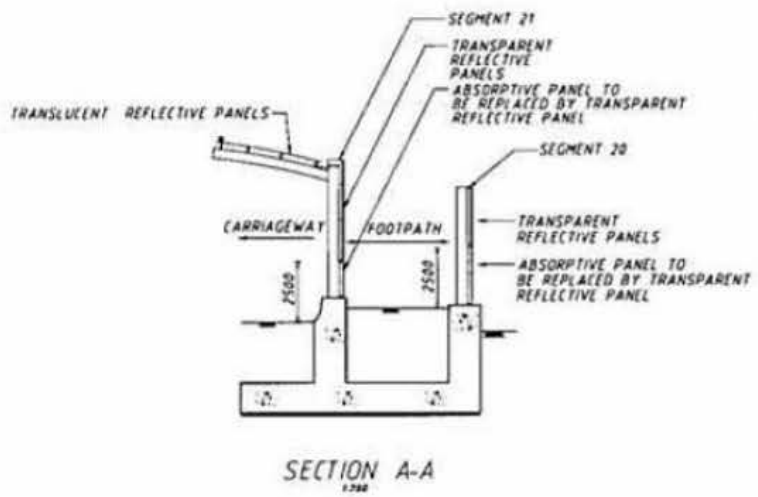


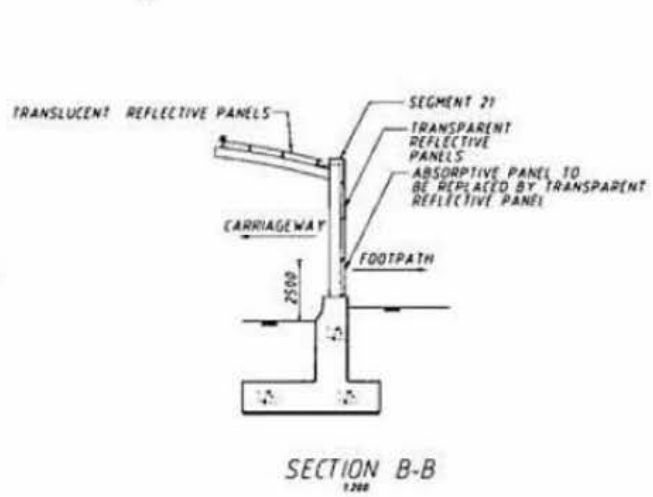
VIEW A - REVISED SCHEME



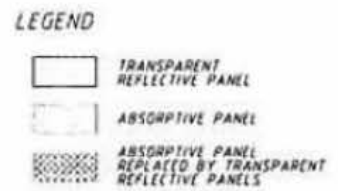
VIEW A - ORIGINAL SCHEME



SECTION A-A
1:200



SECTION B-B
1:200



**Project Title : Sha Tin New Town- Stage II,
Road T3 and Associated
Roadworks**

Environmental Permit No.: EP-135/2002/K

Figure 9 : Extent of the noise barrier segment nos. 20 and 21 where absorptive panels as originally provided to a height of 2.5m above the road level are replaced by transparent reflective panels

(Extracted from the Application for Variation of Environmental Permit (Application No.: VEP-169/2005))

