

KEY PLAN
SCALE 1:20000

- NOTES**
- THIS DRAWING SHALL BE READ IN CONJUNCTION WITH DRAWING NOS. KL201401/ST/AB/7051 TO 7061
 - FOR GENERAL NOTES AND LEGEND REFER TO DRAWING NO. KL201401/ST/AB/7401 TO 7403.
 - ARCHITECTURAL FEATURES WILL BE INCORPORATED UPON CONFIRMATION.
 - FOR GENERAL ARRANGEMENT OF STAIRCASE, REFER TO DRAWING NO. KL201401/ST/AB/7351.
 - ALL SECONDARY UPSTAND BEAM AS 1m WIDTH UNLESS OTHERWISE.

- LEGEND:**
- COLUMN STUD ABOVE LANDSCAPE DECK SUPPORTING EFLS (BY OTHERS)
 - STRUCTURAL OPENING (FOR SKYLIGHT)

Z1	FIRST ISSUE	AL	04/20
Rev	Description	By	Date

Supervising Officer



Contractor



Designer



Architect



Contract title
**CONTRACT NO. KL/2014/01
 KAI TAK DEVELOPMENT - STAGE 2
 INFRASTRUCTURE WORKS FOR
 DEVELOPMENTS AT THE
 SOUTHERN PART OF THE FORMER RUNWAY**

Drawing title
**SUPERSTRUCTURE -
 FRAMING PLAN**

(SHEET 1 OF 11)

Drawing no. KL201401/ST/AB/7051		Rev. Z1	
Drawn RL	Date -	Checked LYL	Approved A1
Scale 1:200 (A1)		Status AS BUILT DRAWING	

© COPYRIGHT RESERVED

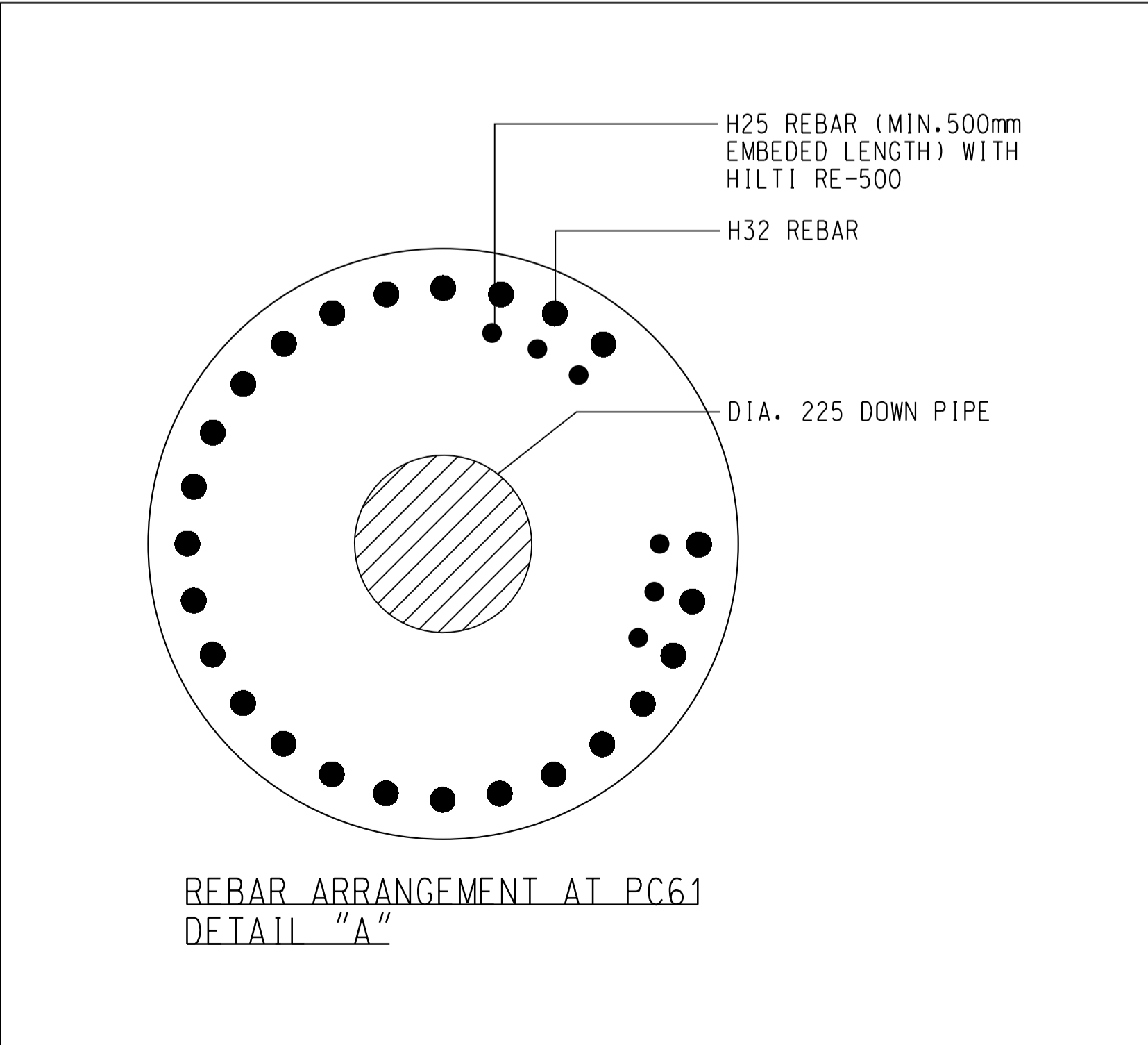
土木工程拓展署
 CIVIL ENGINEERING AND DEVELOPMENT
 DEPARTMENT
 九龍拓展處
 KOWLOON DEVELOPMENT OFFICE

INTEGER POINTS

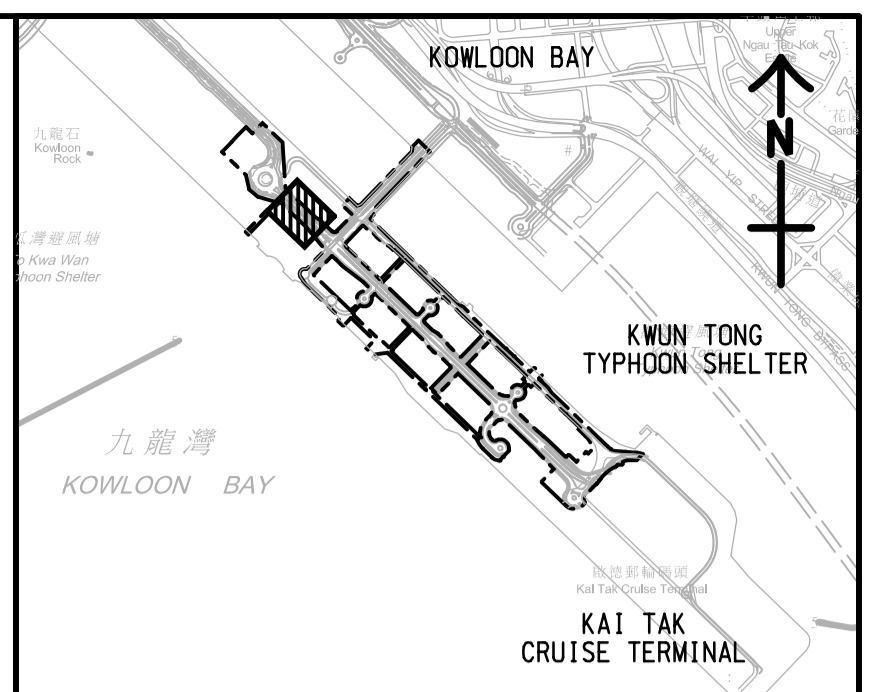
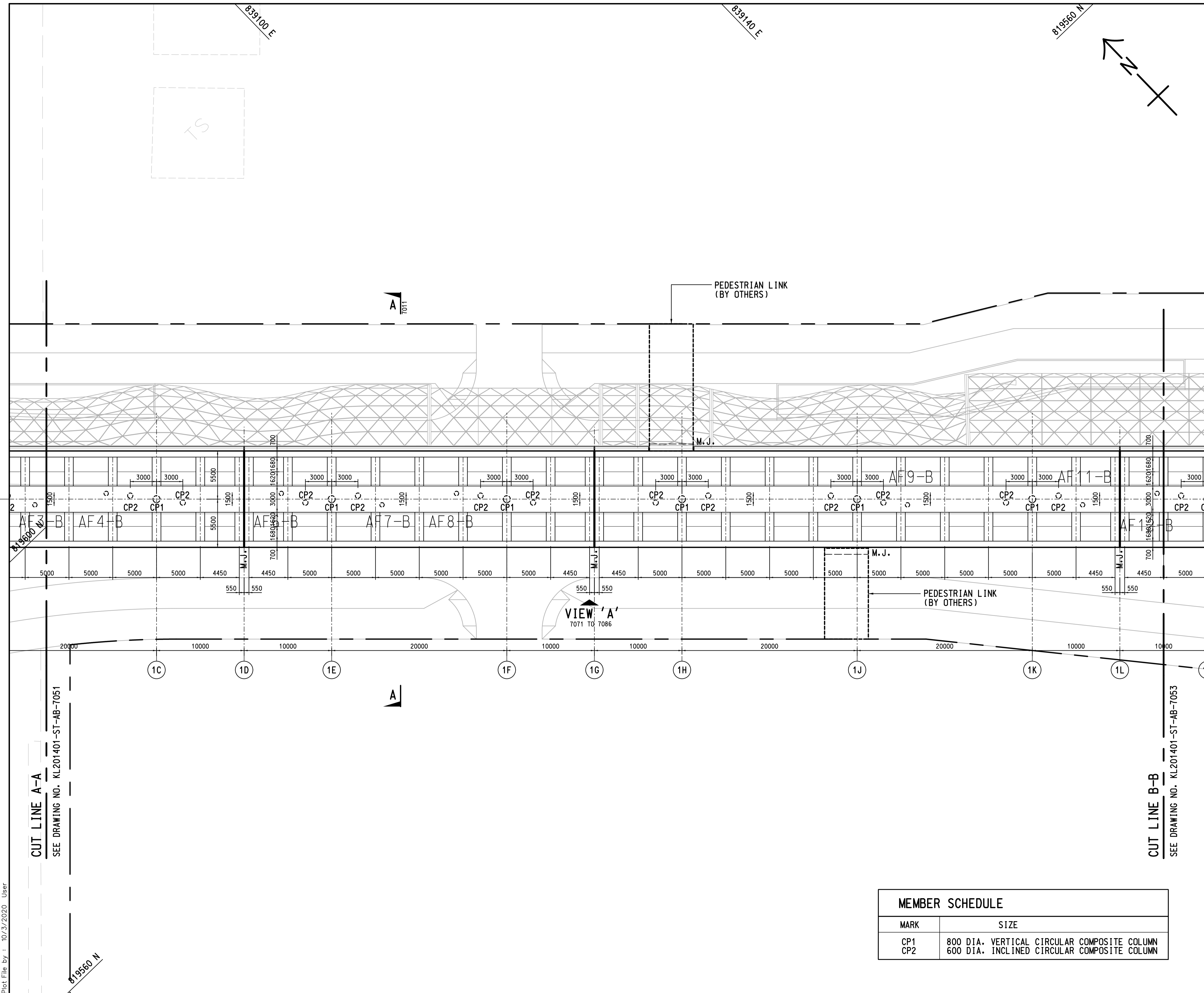
SETTING OUT POINTS	COORDINATES	
	EASTING	NORTHING
A1	838979.893	819682.667
A2	839033.442	819633.382
A3	839029.775	819626.109
A4	839029.655	819625.895
A5	839023.241	819615.868
A6	839013.018	819604.589
A11	838997.646	819648.222
A12	838958.279	819666.711
A13	838958.209	819664.538
A21	839026.424	819620.439

MEMBER SCHEDULE

MARK	SIZE
NB1	700x800 DP R.C. BEAM
CP1	800 DIA. VERTICAL CIRCULAR COMPOSITE COLUMN
CP2	600 DIA. INCLINED CIRCULAR COMPOSITE COLUMN
RC4	1000 DIA. VERTICAL CIRCULAR R.C. COLUMN
WC1	850 DIA. VERTICAL CIRCULAR R.C. COLUMN



Plot File by : \$DATE\$ \$USER\$ \$FILES\$



KEY PLAN
SCALE 1:20000

- NOTES**
1. THIS DRAWING SHALL BE READ IN CONJUNCTION WITH DRAWING NOS. KL201401/ST/AB/7051 TO 7061
 2. FOR GENERAL NOTES AND LEGEND REFER TO DRAWING NO. KL201401/ST/AB/7401 TO 7403.
 3. ARCHITECTURAL FEATURES WILL BE INCORPORATED UPON CONFIRMATION.
 4. FOR GENERAL ARRANGEMENT OF STAIRCASE, REFER TO DRAWING NO. KL201401/ST/AB/7351.
 5. ALL SECONDARY UPSTAND BEAM AS 1m WIDTH UNLESS OTHERWISE.

- LEGEND:**
- COLUMN STUD ABOVE LANDSCAPE DECK SUPPORTING EFLS (BY OTHERS)
 - STRUCTURAL OPENING (FOR SKYLIGHT)

Z1	FIRST ISSUE	AI	03/20
Rev	Description	By	Date

Supervising Officer
AECOM

Contractor
CCC 大陸工程·捷華建築聯營
CEC - CCC JOINT VENTURE

Designer
wsp

Architect
Landscape Architect
A.LEAD architects ltd.
領建建築師事務所有限公司
ADI

Contract title
CONTRACT NO. KL/2014/01
KAI TAK DEVELOPMENT - STAGE 2
INFRASTRUCTURE WORKS FOR
DEVELOPMENTS AT THE
SOUTHERN PART OF THE FORMER RUNWAY

Drawing title
**SUPERSTRUCTURE -
FRAMING PLAN**

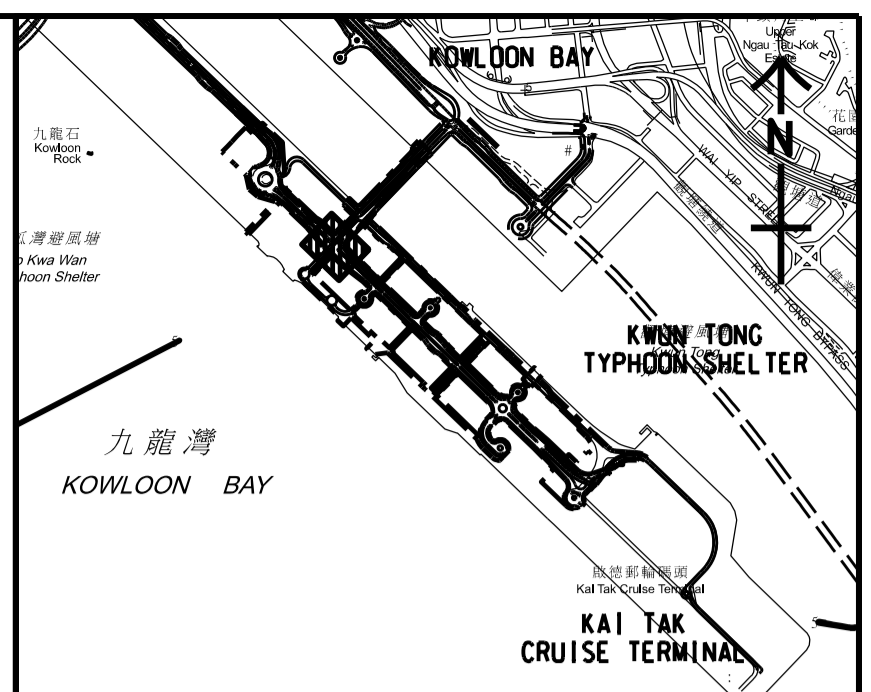
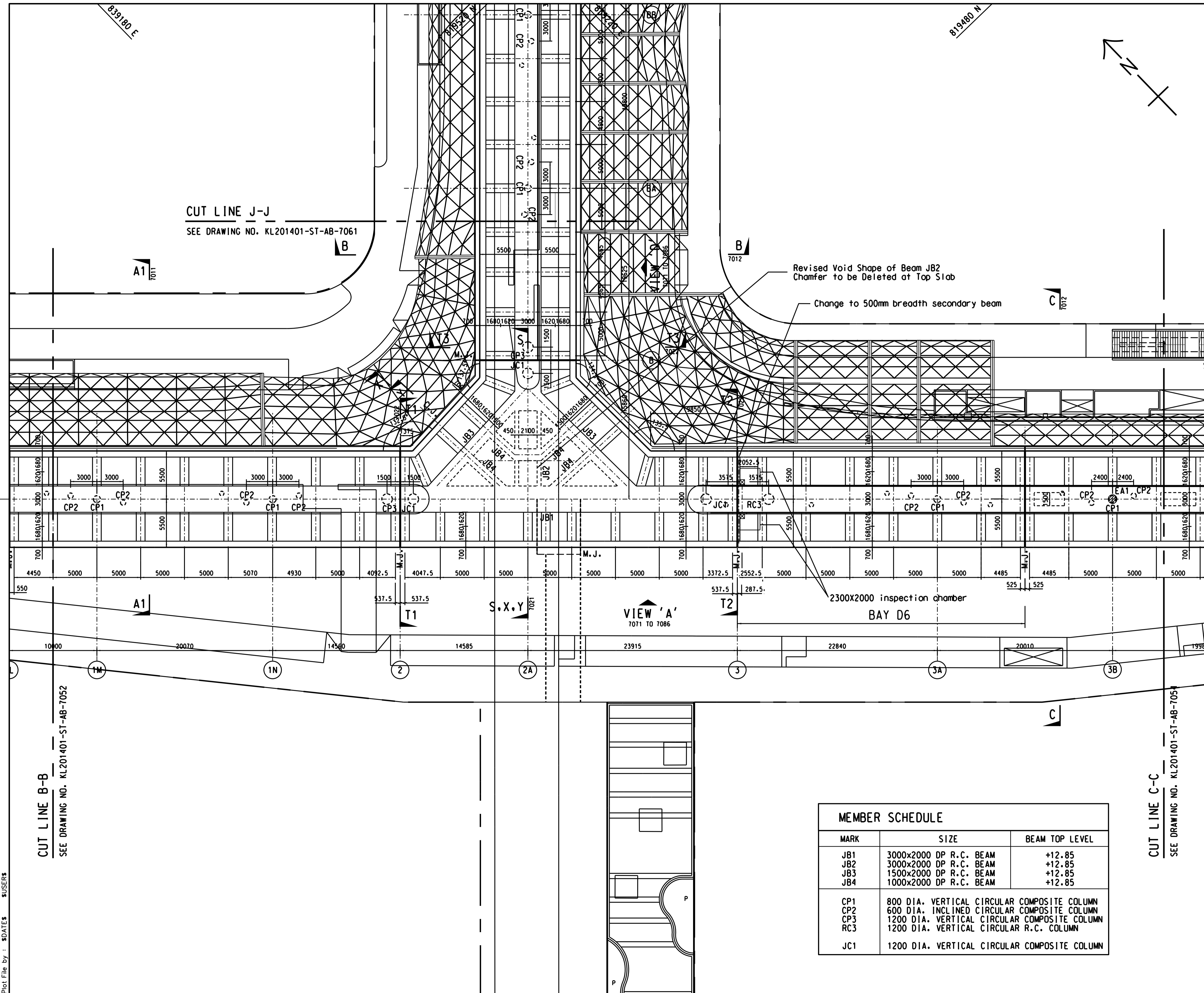
(SHEET 2 OF 11)

Drawing no. KL201401/ST/AB/7052		Rev. Z1	
Drawn RL	Date - FEB 2017	Checked LYL	Approved AI
Scale 1:200 (A1)		Status AS BUILT DRAWING	

© COPYRIGHT RESERVED
土木工程拓展署
CIVIL ENGINEERING AND DEVELOPMENT
DEPARTMENT
九龍拓展處
KOWLOON DEVELOPMENT OFFICE

MEMBER SCHEDULE	
MARK	SIZE
CP1	800 DIA. VERTICAL CIRCULAR COMPOSITE COLUMN
CP2	600 DIA. INCLINED CIRCULAR COMPOSITE COLUMN

Plot File by : 10/3/2020 User



- NOTES**
- THIS DRAWING SHALL BE READ IN CONJUNCTION WITH DRAWING NOS. KL201401/ST/AB/7051 TO 7061
 - FOR GENERAL NOTES AND LEGEND REFER TO DRAWING NO. KL201401/ST/AB/7401 TO 7403.
 - ARCHITECTURAL FEATURES WILL BE INCORPORATED UPON CONFIRMATION.
 - FOR GENERAL ARRANGEMENT OF STAIRCASE, REFER TO DRAWING NO. KL201401/ST/AB/7351.
 - ALL SECONDARY UPSTAND BEAM AS 1m WIDTH UNLESS OTHERWISE.

- LEGEND:**
- COLUMN STUD ABOVE LANDSCAPE DECK SUPPORTING EFLS (BY OTHERS)
 - STRUCTURAL OPENING (FOR SKYLIGHT)

Z1	FIRST ISSUE	AI	03/20
Rev	Description	By	Date

Supervising Officer

AECOM

Contractor

CCC 大陸工程·捷華建築聯營
CEC - CCC JOINT VENTURE

Designer

wsp

Architect

Landscape Architect

A.LEAD architects ltd.
領建建築師事務所有限公司
ADI

Contract title

CONTRACT NO. KL/2014/01
KAI TAK DEVELOPMENT - STAGE 2
INFRASTRUCTURE WORKS FOR
DEVELOPMENTS AT THE
SOUTHERN PART OF THE FORMER RUNWAY

Drawing title

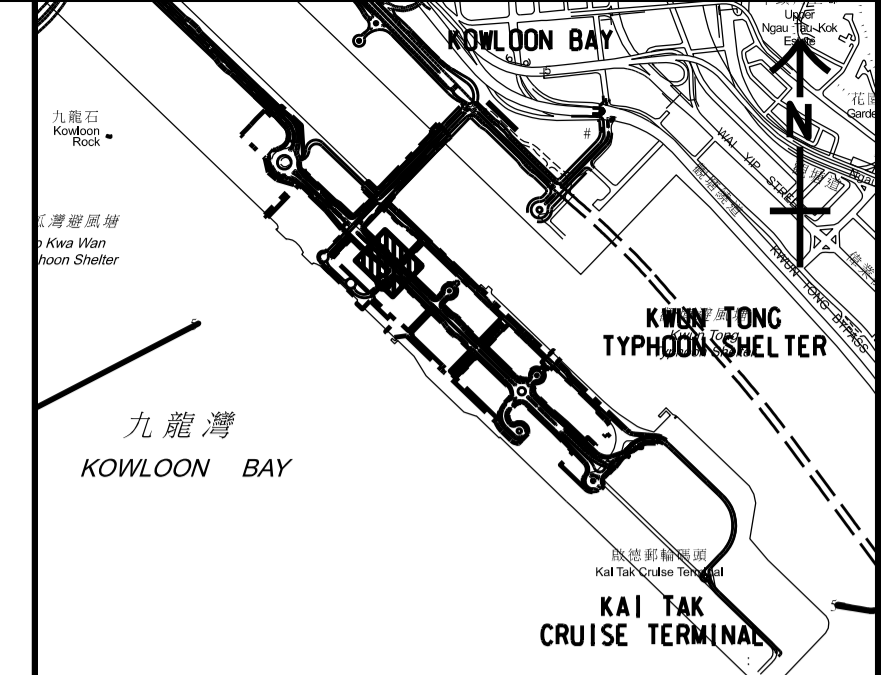
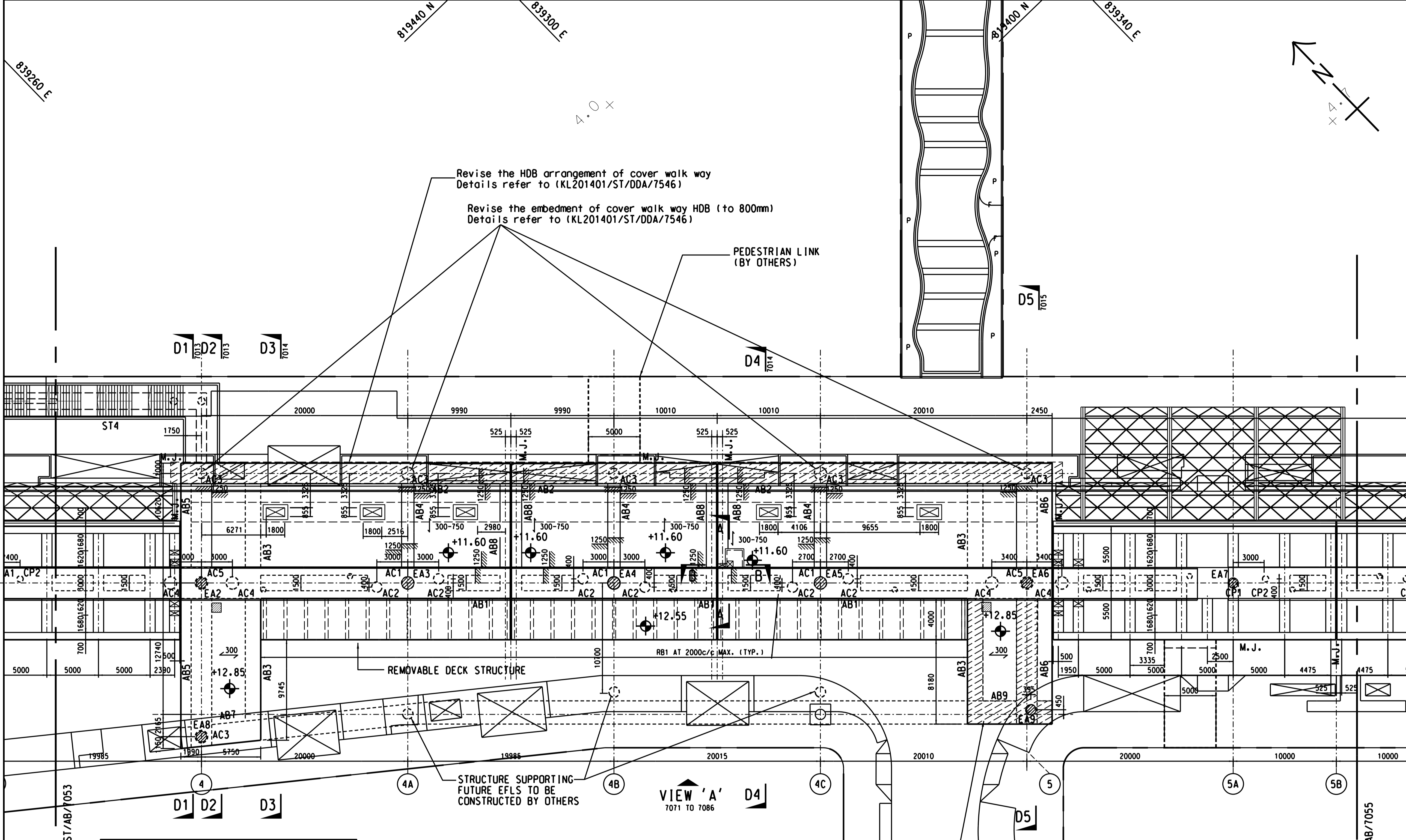
**SUPERSTRUCTURE -
FRAMING PLAN**

(SHEET 3 OF 11)

Drawing no.	KL201401/ST/AB/7053	Rev.	Z1
Drawn	Date	Checked	Approved
RL	-	LYL	AI
Scale	1:200 (A1)	Status	AS BUILT DRAWING

© COPYRIGHT RESERVED

土木工程拓展署
CIVIL ENGINEERING AND DEVELOPMENT
DEPARTMENT
九龍拓展處
KOWLOON DEVELOPMENT OFFICE



KEY PLAN
SCALE 1:20000

- NOTES**
- THIS DRAWING SHALL BE READ IN CONJUNCTION WITH DRAWING NOS. KL201401/ST/AB/7051 TO 7061
 - FOR GENERAL NOTES AND LEGEND REFER TO DRAWING NO. KL201401/ST/AB/7401 TO 7403.
 - ARCHITECTURAL FEATURES WILL BE INCORPORATED UPON CONFIRMATION.
 - FOR GENERAL ARRANGEMENT OF STAIRCASE, REFER TO DRAWING NO. KL201401/ST/AB/7351.
 - ALL SECONDARY UPSTAND BEAM AS 1m WIDTH UNLESS OTHERWISE.

- LEGEND:**
- COLUMN STUD ABOVE LANDSCAPE DECK SUPPORTING EFLS (BY OTHERS)
 - STRUCTURAL OPENING (FOR SKYLIGHT)
 - SUNKEN SLAB WITH 1250 dp

Z1	FIRST ISSUE	AI	03/20
Rev.	Description	By	Date

Supervising Officer

AECOM

Contractor

CCC 大陸工程·捷達建築聯營
CEC - CCC JOINT VENTURE

Designer

wsp

Architect

Landscape Architect

A.LEAD architects Ltd.
領建建築師事務所有限公司
ADI

Contract title

CONTRACT NO. KL/2014/01
KAI TAK DEVELOPMENT - STAGE 2
INFRASTRUCTURE WORKS FOR
DEVELOPMENTS AT THE
SOUTHERN PART OF THE FORMER RUNWAY

Drawing title

**SUPERSTRUCTURE -
FRAMING PLAN**

(SHEET 4 OF 11)

Drawing no.		Rev.	
KL201401/ST/AB/7054-1		Z1	
Drawn	Date	Checked	Approved
RL	-	LYL	AI
Scale	1:200 (A1)	Status	AS BUILT DRAWING

© COPYRIGHT RESERVED

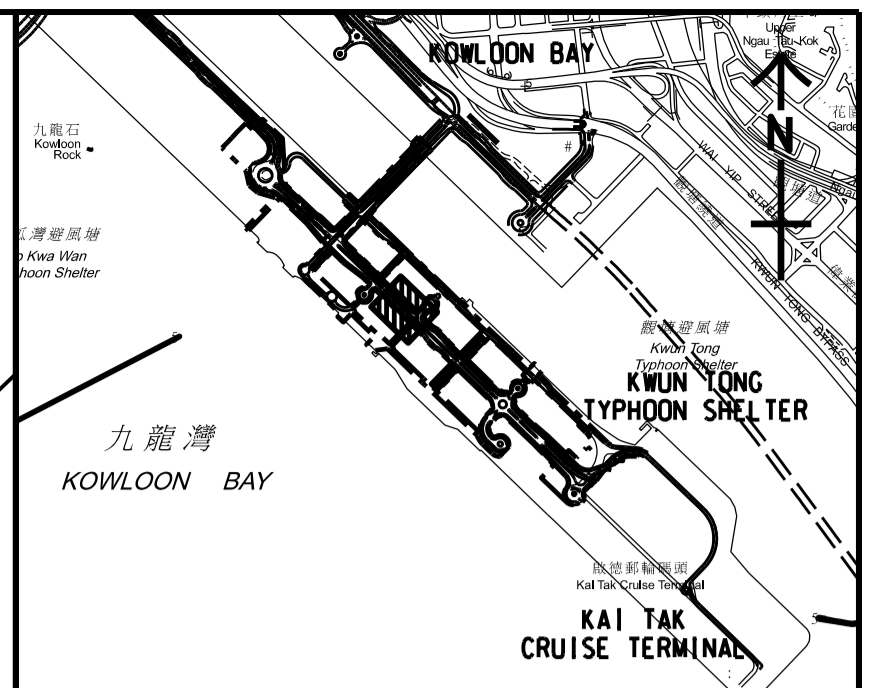
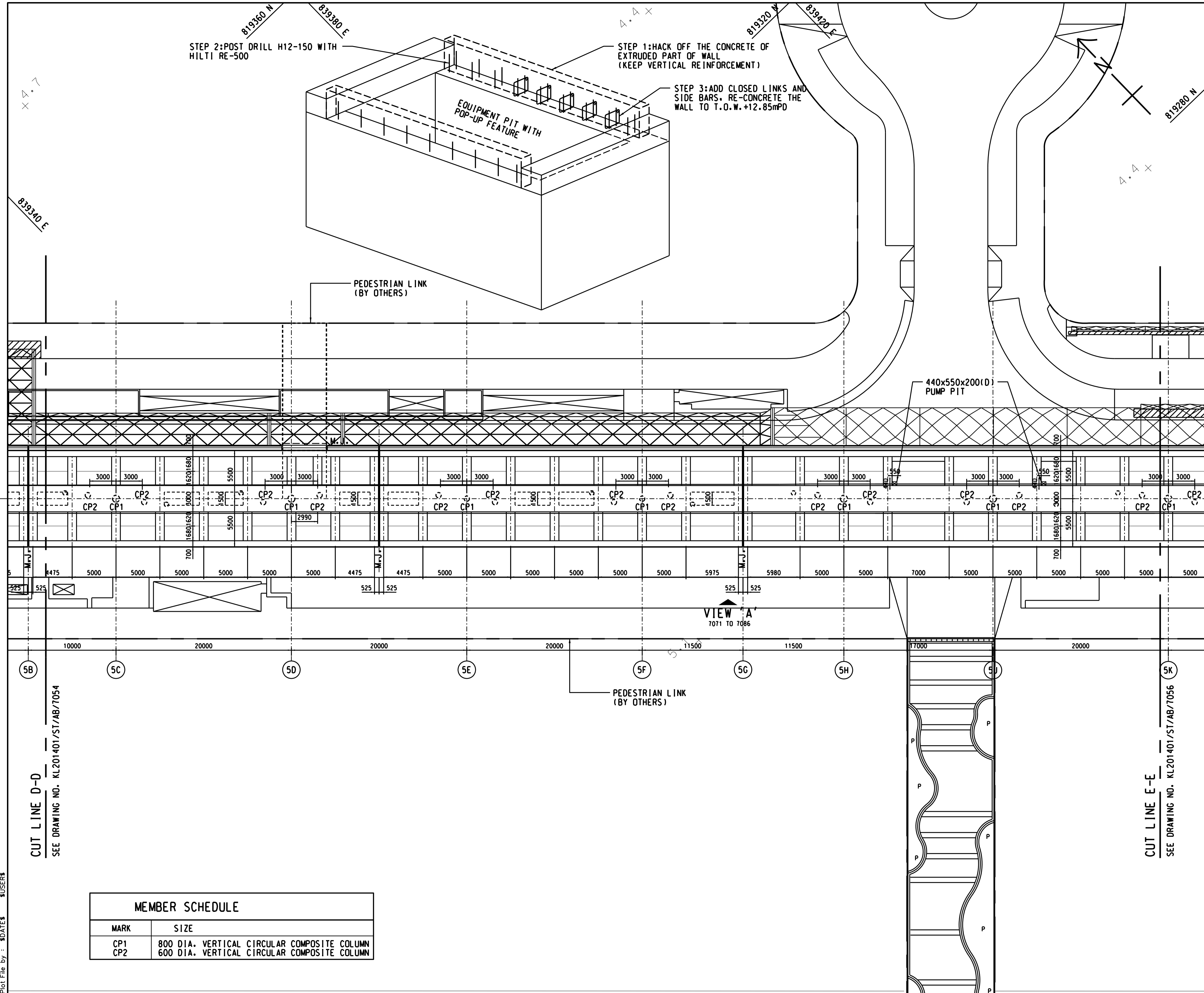
土木工程拓展署
CIVIL ENGINEERING AND DEVELOPMENT
DEPARTMENT
九龍拓展處
KOWLOON DEVELOPMENT OFFICE

MEMBER SCHEDULE

MARK	SIZE
AB1	3000x2000 MAX. DP R.C. BEAM
AB2	2000x2000 MAX. DP R.C. BEAM
AB3	1500x2000 MAX. DP R.C. BEAM
AB4	1200x2000 MAX. DP R.C. BEAM
AB5	2000x2000 MAX. DP R.C. BEAM
AB6	2000x2000 MAX. DP R.C. BEAM
AB7	2000x2000 MAX. DP R.C. BEAM
AB8	1000x2000 MAX. DP R.C. BEAM
AB9	2250x2000 MAX. DP R.C. BEAM
RB1	305x305x137 UC
AC1	1200 DIA. VERTICAL R.C. CIRCULAR COLUMN
AC2	1000 DIA. INCLINED R.C. CIRCULAR COLUMN
AC3	1000 DIA. VERTICAL CIRCULAR COMPOSITE COLUMN
AC4	1200 DIA. INCLINED CIRCULAR COMPOSITE COLUMN
AC5	1200 DIA. VERTICAL CIRCULAR COMPOSITE COLUMN
CP1	800 DIA. VERTICAL CIRCULAR COMPOSITE COLUMN
CP2	600 DIA. INCLINED CIRCULAR COMPOSITE COLUMN

CUT LINE C-C
SEE DRAWING NO. KL201401/ST/AB/7053

CUT LINE D-D
SEE DRAWING NO. KL201401/ST/AB/7055



KEY PLAN
SCALE 1:20000

- NOTES**
- THIS DRAWING SHALL BE READ IN CONJUNCTION WITH DRAWING NOS. KL201401/ST/AB/7051 TO 7061
 - FOR GENERAL NOTES AND LEGEND REFER TO DRAWING NO. KL201401/ST/AB/7401 TO 7403.
 - ARCHITECTURAL FEATURES WILL BE INCORPORATED UPON CONFIRMATION.
 - FOR GENERAL ARRANGEMENT OF STAIRCASE, REFER TO DRAWING NO. KL201401/ST/AB/7351.
 - ALL SECONDARY UPSTAND BEAM AS 1m WIDTH UNLESS OTHERWISE.

- LEGEND:**
- COLUMN STUD ABOVE LANDSCAPE DECK SUPPORTING EFLS (BY OTHERS)
 - STRUCTURAL OPENING (FOR SKYLIGHT)

Z1	FIRST ISSUE	AI	03/20
Rev	Description	By	Date

Supervising Officer
AECOM

Contractor
CCC 大陸工程·捷華建築聯盟
CEC - CCC JOINT VENTURE

Designer
wsp

Architect
Landscape Architect
A.LEAD architects ltd.
領建建築師事務所有限公司
ADI

Contract title
CONTRACT NO. KL/2014/01
KAI TAK DEVELOPMENT - STAGE 2
INFRASTRUCTURE WORKS FOR
DEVELOPMENTS AT THE
SOUTHERN PART OF THE FORMER RUNWAY

Drawing title
**SUPERSTRUCTURE -
FRAMING PLAN**

(SHEET 5 OF 11)

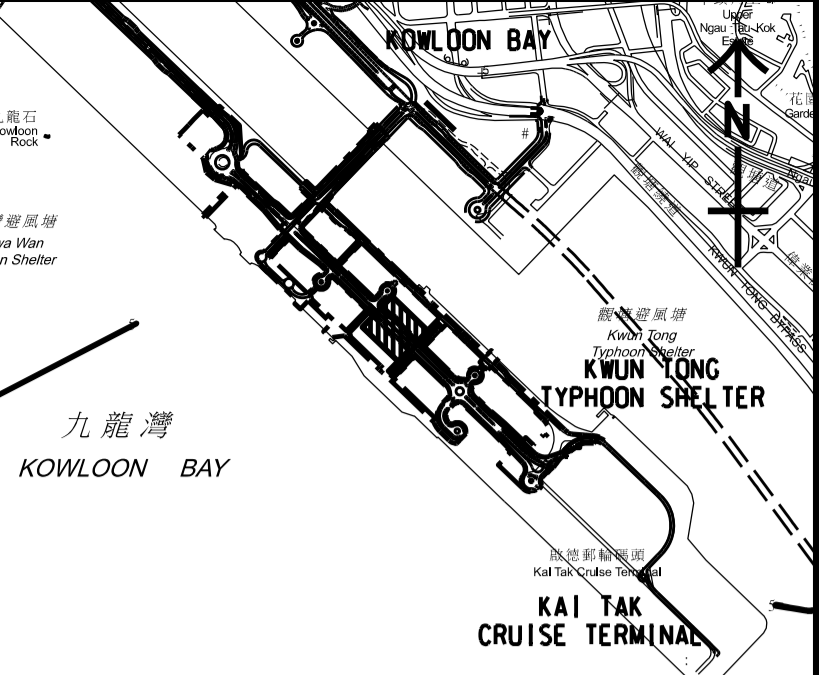
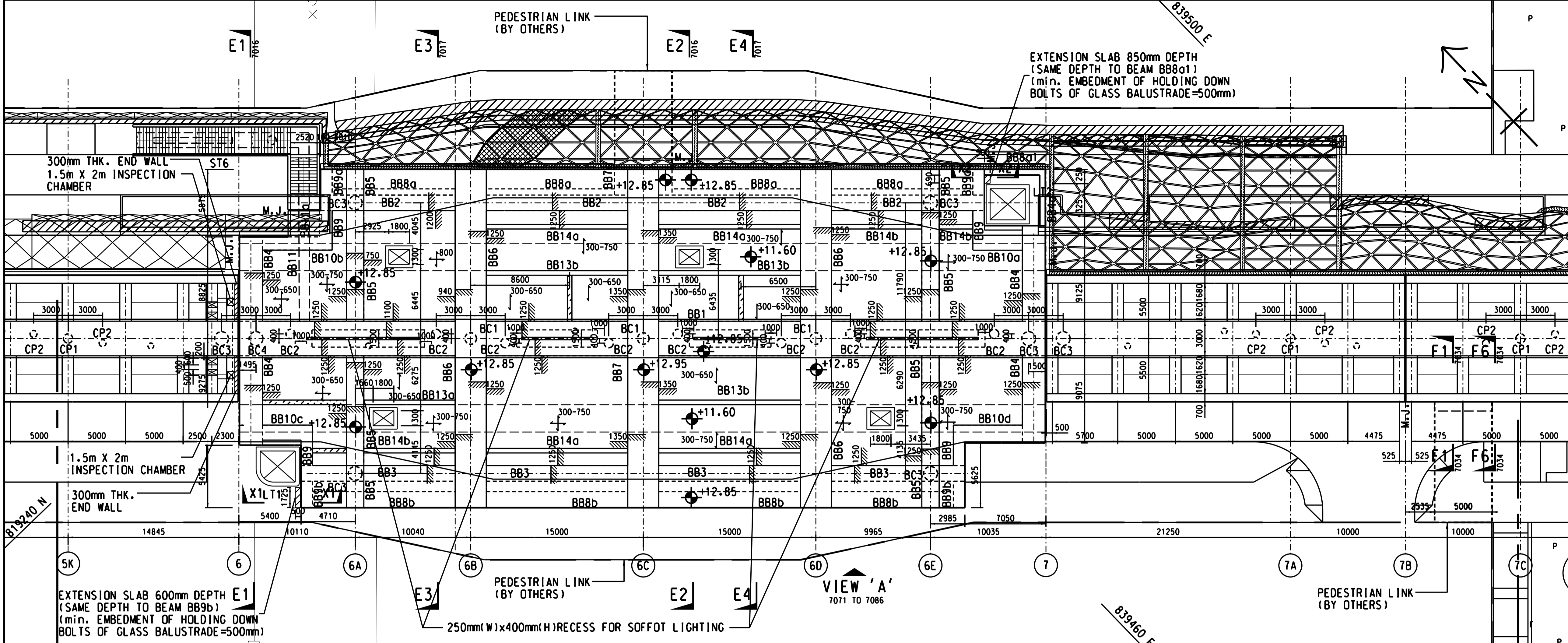
Drawing no.	KL201401/ST/AB/7055	Rev.	Z1
Drawn	RL	Date	-
Checked	LYL	Approved	AI
Scale	1:200 (A1)	Status	AS BUILT DRAWING

© COPYRIGHT RESERVED
土木工程拓展署
CIVIL ENGINEERING AND DEVELOPMENT
DEPARTMENT
九龍拓展處
KOWLOON DEVELOPMENT OFFICE

MEMBER SCHEDULE

MARK	SIZE
CP1	800 DIA. VERTICAL CIRCULAR COMPOSITE COLUMN
CP2	600 DIA. VERTICAL CIRCULAR COMPOSITE COLUMN

Plot File by : \$DATES \$USERS \$FILES



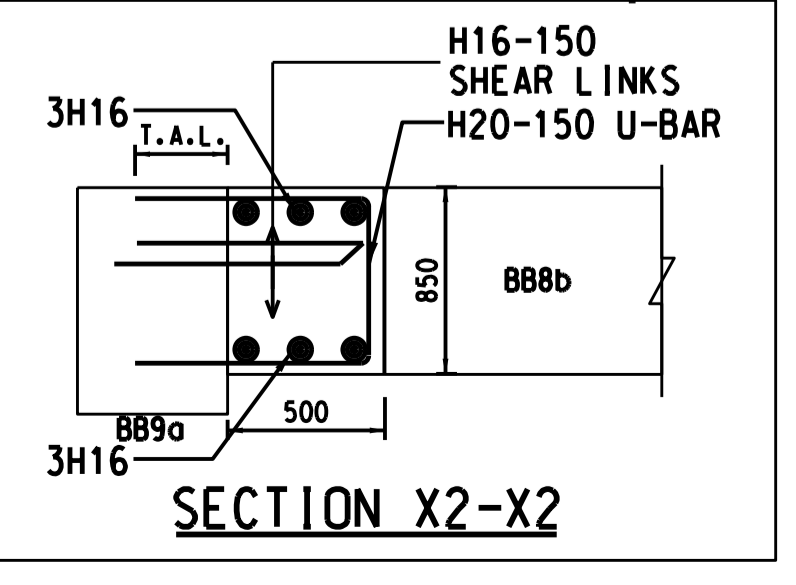
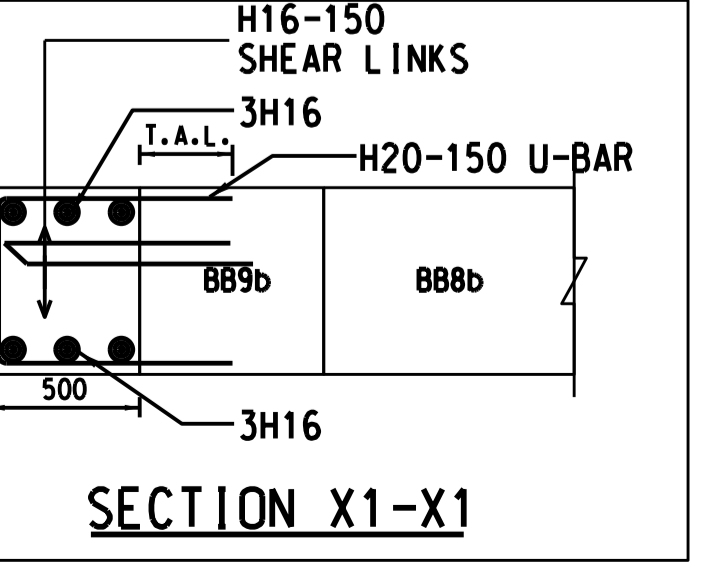
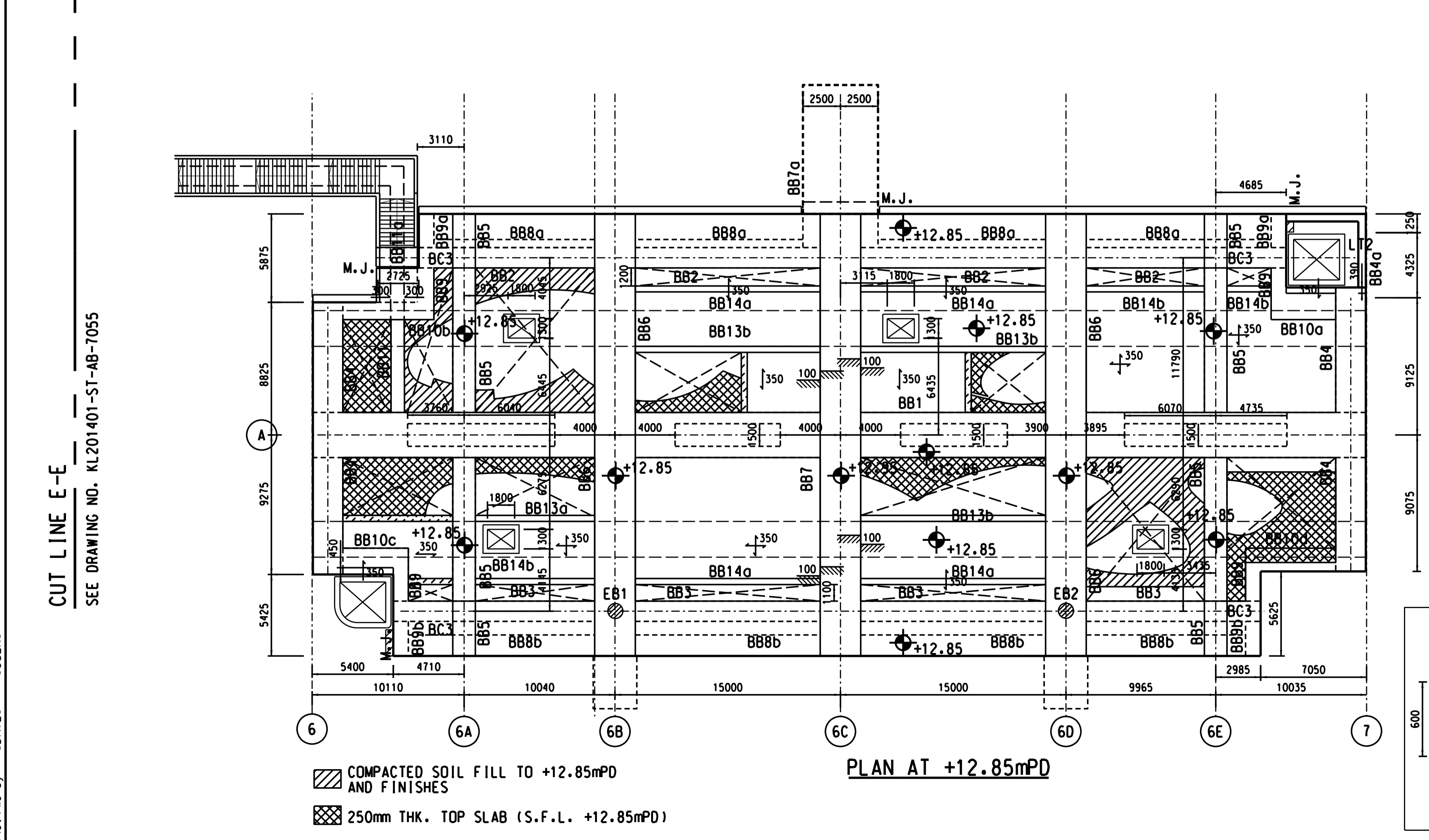
- NOTES**
SCALE 1:20000
- THIS DRAWING SHALL BE READ IN CONJUNCTION WITH DRAWING NOS. KL201401/ST/AB/7051 TO 7061
 - FOR GENERAL NOTES AND LEGEND REFER TO DRAWING NO. KL201401/ST/AB/7401 TO 7403.
 - ARCHITECTURAL FEATURES WILL BE INCORPORATED UPON CONFIRMATION.
 - FOR GENERAL ARRANGEMENT OF STAIRCASE, REFER TO DRAWING NO. KL201401/ST/AB/7351.
 - ALL SECONDARY UPSTAND BEAM AS 1m WIDTH UNLESS OTHERWISE.

- LEGEND:**
- COLUMN STUD ABOVE LANDSCAPE DECK SUPPORTING EFLS (BY OTHERS)
 - STRUCTURAL OPENING (FOR SKYLIGHT)
 - 400mm THK LOAD BEARING WALL (TOP LEVEL +12.85mPD)

Z1	FIRST ISSUE	AI	03/20
Rev	Description	By	Date
Supervising Officer			

MEMBER SCHEDULE

MARK	SIZE	BEAM TOP LEVEL
BB1	3000x2000 DP R.C. BEAM	+12.85
BB2	1350x2000 DP R.C. BEAM	+12.85
BB3	1350x2000 DP R.C. BEAM	+12.85
BB4	2000x2000 MAX. DP R.C. BEAM	+12.85
BB4a	500x900 MAX. DP R.C. BEAM	+12.85
BB5	1500x2000 MAX. DP R.C. BEAM	+12.85
BB6	2700x2000 MAX. DP R.C. BEAM	+12.85
BB7	2700x2100 MAX. DP R.C. BEAM	+12.95
BB7a	5000x2100 DP R.C. BEAM	+12.95
BB8a	1700x850 DP R.C. BEAM	+12.85
BB8a1	500x850 DP R.C. BEAM	+12.85
BB8b	1400x600 DP R.C. BEAM	+12.85
BB9	1000x1550 MIN. DP R.C. BEAM	+12.85
BB9a	1000x850 MIN. DP R.C. BEAM	+12.85
BB9b	1000x600 MIN. DP R.C. BEAM	+12.85
BB10a	1750x900 DP R.C. BEAM	+12.85
BB10b	1150x900 DP R.C. BEAM	+12.85
BB10c	1300x900 DP R.C. BEAM	+12.85
BB10d	1550x900 DP R.C. BEAM	+12.85
BB11	900x2000 MAX. DP R.C. BEAM	+12.85
BB11a	900x1300 DP R.C. BEAM	+12.85
BB13a	400x1620 MAX. DP R.C. BEAM	+12.85
BB13b	400x1620 MAX. DP R.C. BEAM	+12.85
BB14a	400x1840 MAX. DP R.C. BEAM	+12.85
BB14b	400x1840 MAX. DP R.C. BEAM	+12.85
BC1	1000 DIA. VERTICAL CIRCULAR COLUMN	
BC2	800 DIA. INCLINED CIRCULAR COLUMN	
BC3	1200 DIA. VERTICAL CIRCULAR COLUMN	
BC4	1200 DIA. VERTICAL CIRCULAR COLUMN	
CP1	800 DIA. VERTICAL CIRCULAR COMPOSITE COLUMN	
CP2	600 DIA. INCLINED CIRCULAR COMPOSITE COLUMN	



AECOM

Contractor

CCC 大陸工程·捷達建築聯盟
CEC - CCC JOINT VENTURE

Designer

wsp

Architect

Landscape Architect

A.LEAD architects Ltd.
領達建築師事務所有限公司
ADI

Contract title
CONTRACT NO. KL/2014/01
KAI TAK DEVELOPMENT - STAGE 2
INFRASTRUCTURE WORKS FOR
DEVELOPMENTS AT THE
SOUTHERN PART OF THE FORMER RUNWAY

Drawing title
**SUPERSTRUCTURE -
FRAMING PLAN**

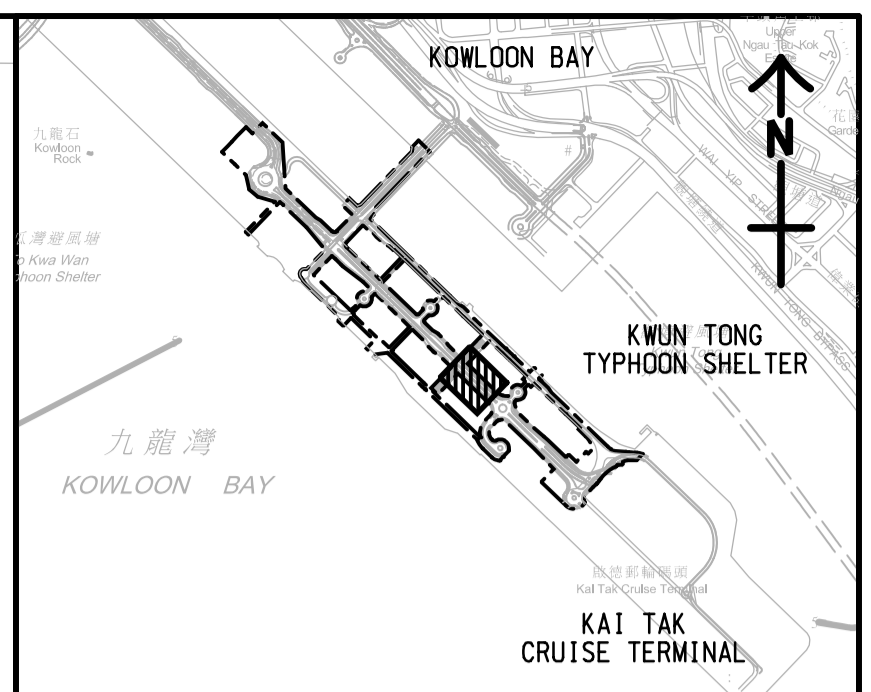
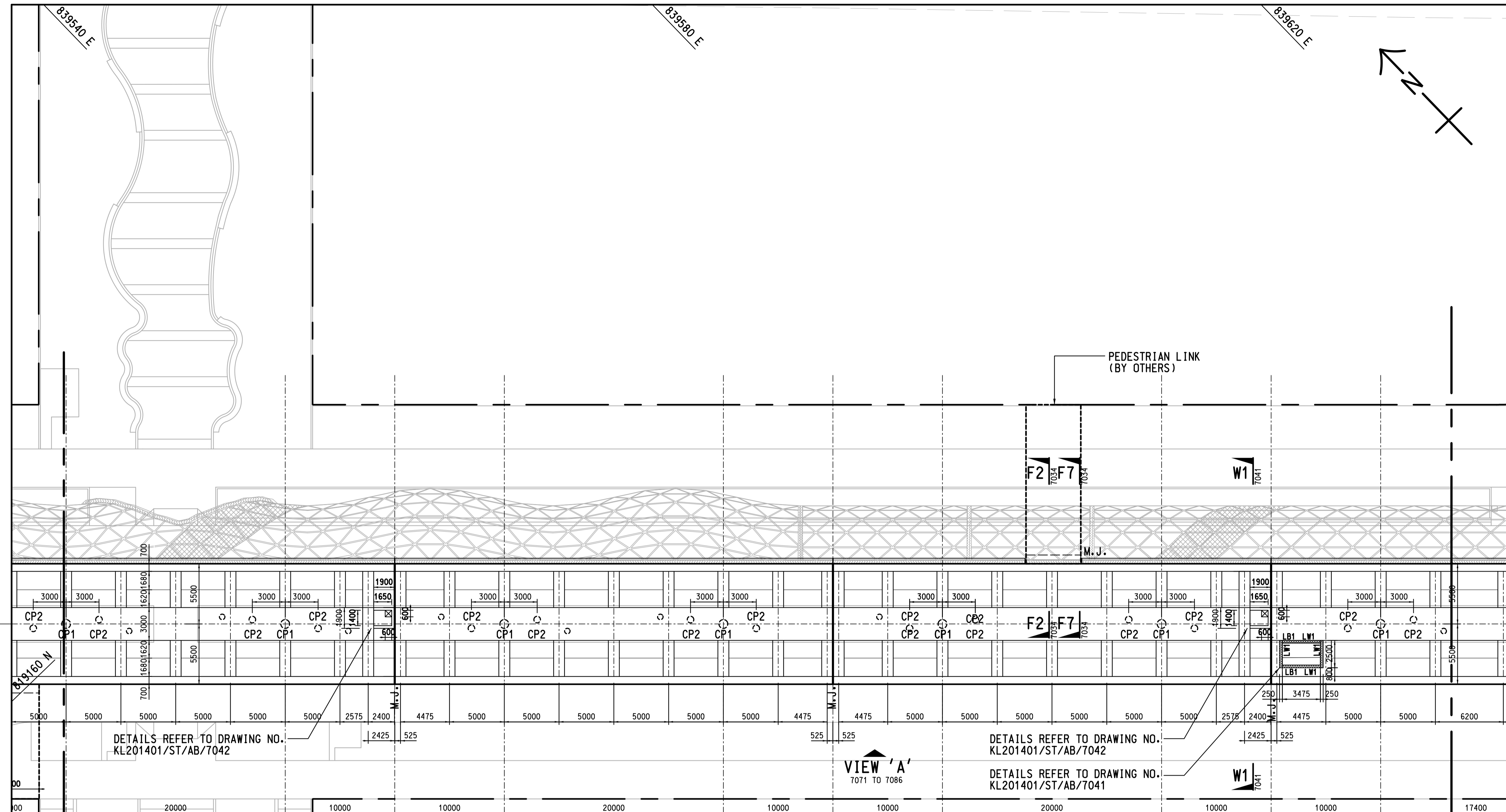
(SHEET 6 OF 11)

Drw no. KL201401/ST/AB/7056 Rev. Z1

Drawn	Date	Checked	Approved
RL	-	LYL	AI
Scale	1:200 (A1)	Status	AS BUILT DRAWING

© COPYRIGHT RESERVED

土木工程拓展署
CIVIL ENGINEERING AND DEVELOPMENT
DEPARTMENT
九龍拓展處
KOWLOON DEVELOPMENT OFFICE



KEY PLAN
SCALE 1:20000

NOTES

1. THIS DRAWING SHALL BE READ IN CONJUNCTION WITH DRAWING NOS. KL201401-ST-AB-7051 TO 7056, 7058 TO 7061.
2. THE NOTES AND LEGEND REFER TO DRAWING NO. KL201401-ST-AB-7051.

Z1	FIRST ISSUE	AI	03/20
Rev.	Description	By	Date

Supervising Officer
AECOM

Contractor
CCC 大陸工程·捷華建築聯營
CEC - CCC JOINT VENTURE

Designer
wsp

Architect
Landscape Architect
A.LEAD architects ltd.
領建建築師事務所有限公司
ADI

Contract title
CONTRACT NO. KL/2014/01
KAI TAK DEVELOPMENT - STAGE 2
INFRASTRUCTURE WORKS FOR
DEVELOPMENTS AT THE
SOUTHERN PART OF THE FORMER RUNWAY

Drawing title
**SUPERSTRUCTURE -
FRAMING PLAN**

(SHEET 7 OF 11)

Drawing no.		Rev.	
KL201401/ST/AB/7057		Z1	
Drawn	Date	Checked	Approved
RL	- FEB 2017	LYL	AI
Scale	1:200 (A1)	Status	AS BUILT DRAWING

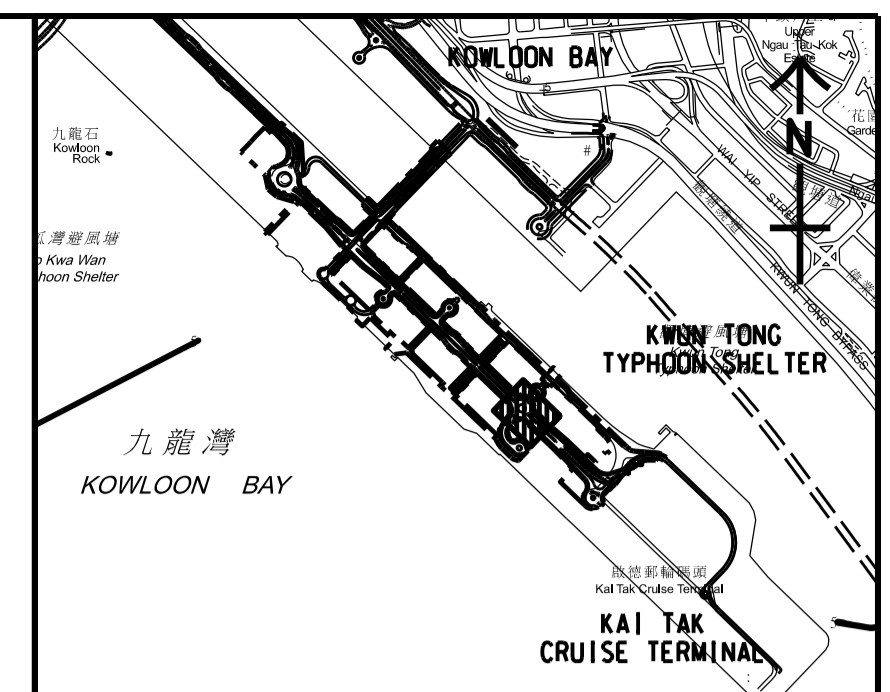
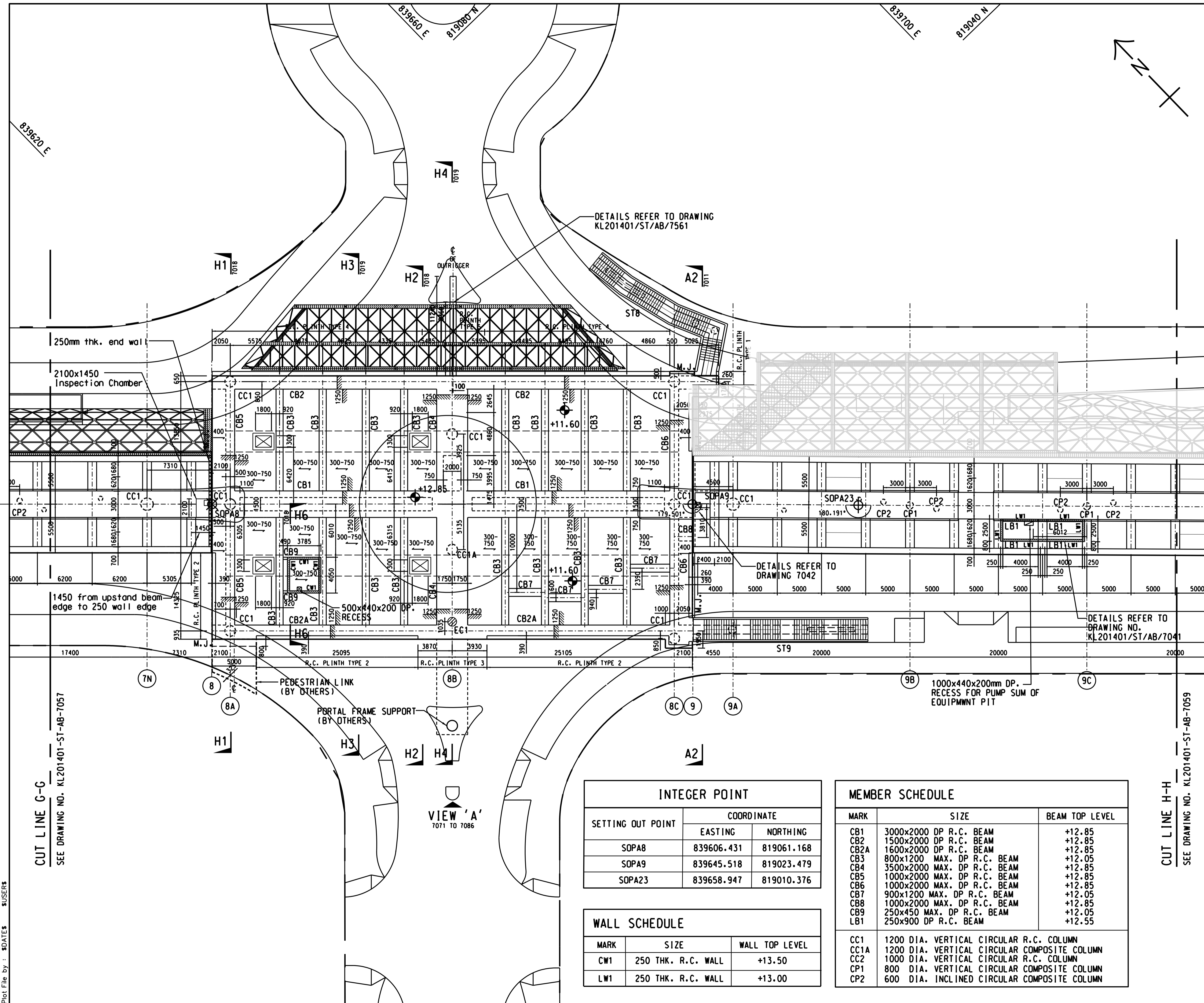
© COPYRIGHT RESERVED

土木工程拓展署
CIVIL ENGINEERING AND DEVELOPMENT
DEPARTMENT
九龍拓展處
KOWLOON DEVELOPMENT OFFICE

WALL SCHEDULE		
MARK	SIZE	WALL TOP LEVEL
LW1	250 THK. R.C. WALL	+13.50

MEMBER SCHEDULE		
MARK	SIZE	BEAM TOP LEVEL
LB1	250x900 DP R.C. BEAM	+12.55

Plot File by : 10/3/2020 User



KEY PLAN
SCALE 1:20000

- NOTES**
- THIS DRAWING SHALL BE READ IN CONJUNCTION WITH DRAWING NOS. KL201401/ST/AB/7051 TO 7061
 - FOR GENERAL NOTES AND LEGEND REFER TO DRAWING NO. KL201401/ST/AB/7401 TO 7403.
 - ARCHITECTURAL FEATURES WILL BE INCORPORATED UPON CONFIRMATION.
 - FOR GENERAL ARRANGEMENT OF STAIRCASE, REFER TO DRAWING NO. KL201401/ST/AB/7351.
 - ALL SECONDARY UPSTAND BEAM OF TYPICAL LINKING WALKWAY AS 1m WIDTH UNLESS OTHERWISE SPECIFIED.
 - ALL SLAB TOP LEVEL WITH URBAN ROOM C IS +11.6mPD UNLESS OTHERWISE SPECIFIED.
 - FOR DETAILS OF SKYLIGHT AND MOVEMENT JOINT REFER TO DRAWING NO. KL201401/ST/AB/7501.
 - FOR DETAILS OF DIFFERENT TYPES OF R.C. PLINTH FOR CLADDING AND GLASS BALUSTRADE FIXING SHALL REFER TO DRAWING NO. KL201401/ST/AB/XXXX.

- LEGEND:**
- COLUMN STUD ABOVE LANDSCAPE DECK SUPPORTING EFLS (BY OTHERS)
 - STRUCTURAL OPENING (FOR SKYLIGHT)
 - ONE WAY SLAB
 - CANTILEVER SLAB
 - STEEL TRUSS
 - COLUMN / WALL ABOVE

Z1	FIRST ISSUE	AI	03/20
Rev	Description	By	Date

Supervising Officer

AECOM
Contractor

CCC 大陸工程·建華建築聯營
CEC - CCC JOINT VENTURE
Designer

wsp
Architect Landscape Architect

A.LEAD architects Ltd.
領建建築師事務所有限公司
ADI
Contract title

CONTRACT NO. KL/2014/01
KAI TAK DEVELOPMENT - STAGE 2
INFRASTRUCTURE WORKS FOR
DEVELOPMENTS AT THE
SOUTHERN PART OF THE FORMER RUNWAY

Drawing title
SUPERSTRUCTURE - FRAMING PLAN

(SHEET 8 OF 11)

Drawing no.	KL201401/ST/AB/7058	Rev.	Z1
Drawn	RL	Date	-
Checked	LYL	Date	-
Approved	AI	Date	-
Scale	1:200 (A1)	Status	AS BUILT DRAWING

© COPYRIGHT RESERVED
土木工程拓展署
CIVIL ENGINEERING AND DEVELOPMENT DEPARTMENT
九龍拓展處
KOWLOON DEVELOPMENT OFFICE

INTEGER POINT

SETTING OUT POINT	COORDINATE	
	EASTING	NORTHING
SOPA8	839606.431	819061.168
SOPA9	839645.518	819023.479
SOPA23	839658.947	819010.376

WALL SCHEDULE

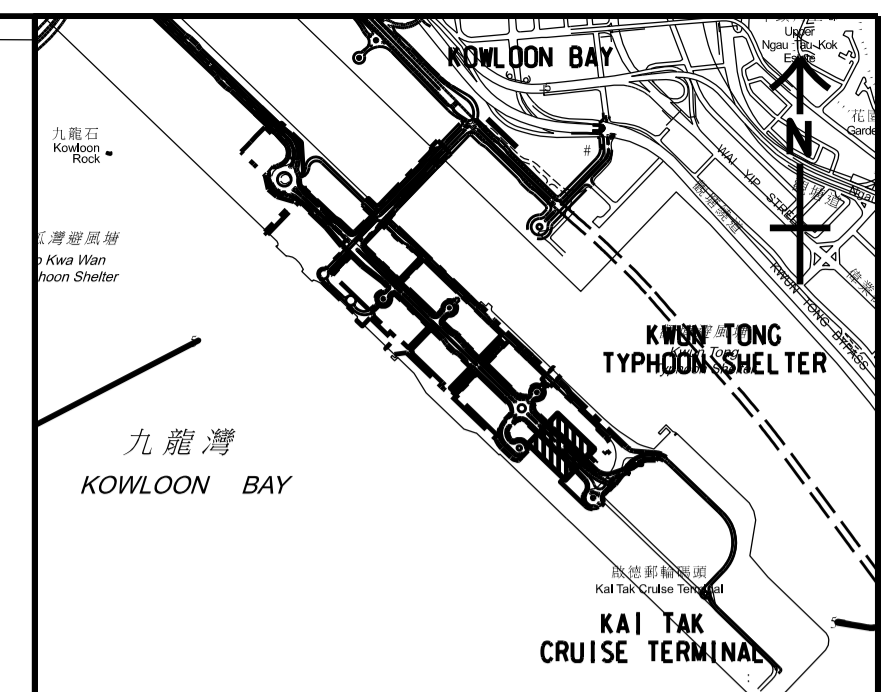
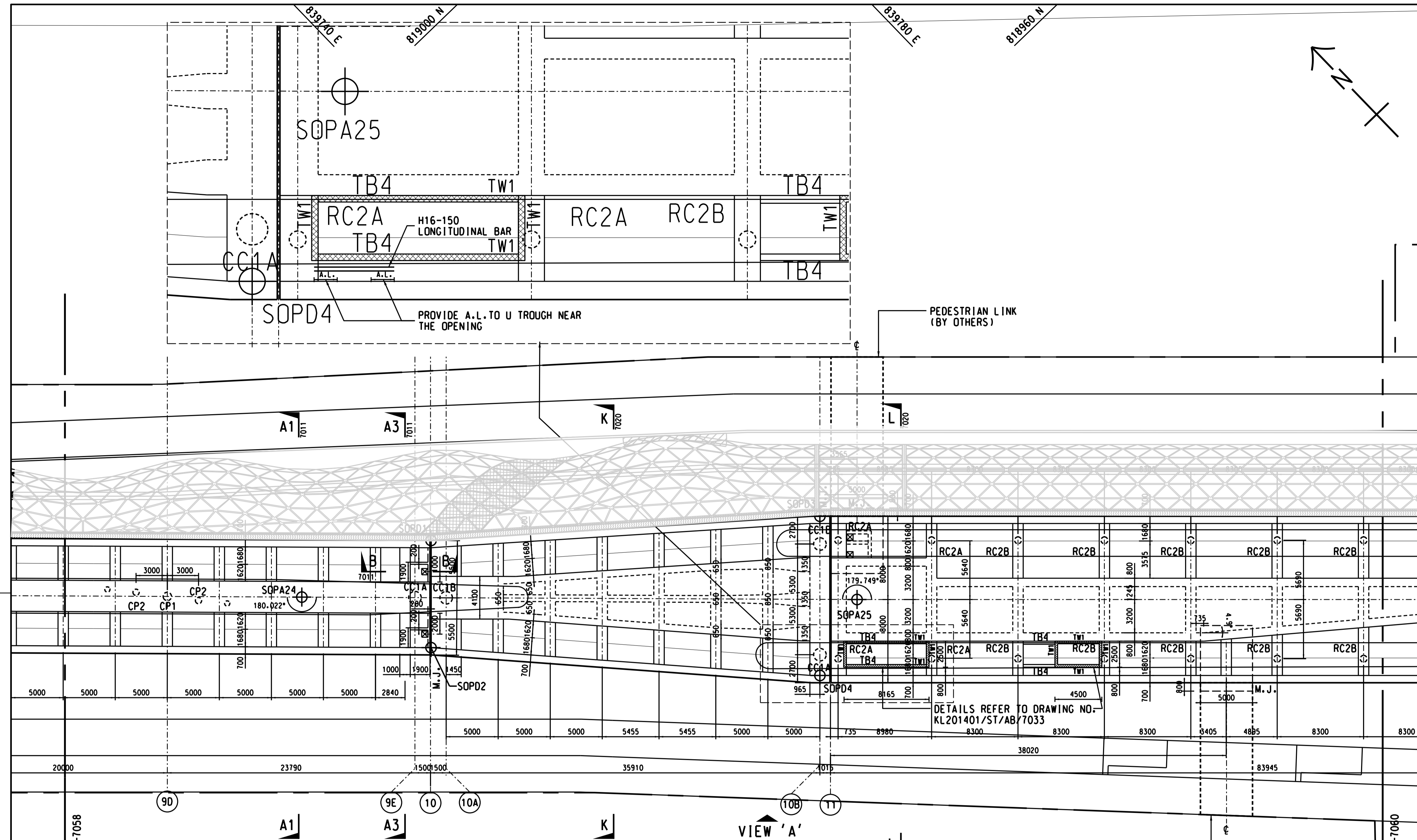
MARK	SIZE	WALL TOP LEVEL
CW1	250 THK. R.C. WALL	+13.50
LW1	250 THK. R.C. WALL	+13.00

MEMBER SCHEDULE

MARK	SIZE	BEAM TOP LEVEL
CB1	3000x2000 DP R.C. BEAM	+12.85
CB2	1500x2000 DP R.C. BEAM	+12.85
CB2A	1600x2000 DP R.C. BEAM	+12.85
CB3	800x1200 MAX. DP R.C. BEAM	+12.05
CB4	3500x2000 MAX. DP R.C. BEAM	+12.85
CB5	1000x2000 MAX. DP R.C. BEAM	+12.85
CB6	1000x2000 MAX. DP R.C. BEAM	+12.85
CB7	900x1200 MAX. DP R.C. BEAM	+12.05
CB8	1000x2000 MAX. DP R.C. BEAM	+12.85
CB9	250x450 MAX. DP R.C. BEAM	+12.05
LB1	250x900 DP R.C. BEAM	+12.55
CC1	1200 DIA. VERTICAL CIRCULAR R.C. COLUMN	
CC1A	1200 DIA. VERTICAL CIRCULAR COMPOSITE COLUMN	
CC2	1000 DIA. VERTICAL CIRCULAR R.C. COLUMN	
CP1	800 DIA. VERTICAL CIRCULAR COMPOSITE COLUMN	
CP2	600 DIA. INCLINED CIRCULAR COMPOSITE COLUMN	

CUT LINE G-G
SEE DRAWING NO. KL201401-ST-AB-7057

CUT LINE H-H
SEE DRAWING NO. KL201401-ST-AB-7059



- KEY PLAN**
SCALE 1:20000
- NOTES**
- THIS DRAWING SHALL BE READ IN CONJUNCTION WITH DRAWING NOS. KL201401/ST/AB/7051 TO 7061
 - FOR GENERAL NOTES AND LEGEND REFER TO DRAWING NO. KL201401/ST/AB/7401 TO 7403.
 - ARCHITECTURAL FEATURES WILL BE INCORPORATED UPON CONFIRMATION.
 - FOR GENERAL ARRANGEMENT OF STAIRCASE, REFER TO DRAWING NO. KL201401/ST/AB/7351.
 - ALL SECONDARY UPSTAND BEAM OF TYPICAL LINKING WALKWAY AS 1m WIDTH UNLESS OTHERWISE.

- LEGEND:**
- COLUMN STUD ABOVE LANDSCAPE DECK SUPPORTING EFLS (BY OTHERS)
 - STRUCTURAL OPENING (FOR SKYLIGHT)

Z1	FIRST ISSUE	AI	03/20
Rev	Description	By	Date

Supervising Officer

AECOM

Contractor

CCC 大陸工程·捷華建築聯營
CEC - CCC JOINT VENTURE

Designer

wsp

Architect

Landscape Architect

A.LEAD architects Ltd.
領建建築師事務所有限公司
ADI

Contract title

CONTRACT NO. KL/2014/01
KAI TAK DEVELOPMENT - STAGE 2
INFRASTRUCTURE WORKS FOR
DEVELOPMENTS AT THE
SOUTHERN PART OF THE FORMER RUNWAY

Drawing title

**SUPERSTRUCTURE -
FRAMING PLAN**

(SHEET 9 OF 11)

Drawing no.		Rev.	
KL201401/ST/AB/7059		Z1	
Drawn	Date	Checked	Approved
RL	-	LYL	AI
Scale	1:200 (A1)	Status	AS BUILT DRAWING

© COPYRIGHT RESERVED

土木工程拓展署
CIVIL ENGINEERING AND DEVELOPMENT
DEPARTMENT
九龍拓展處
KOWLOON DEVELOPMENT OFFICE

INTEGER POINT

SETTING OUT POINT	COORDINATE	
	EASTING	NORTHING
D1	839713.765	818964.686
D2	839706.617	818957.273
D3	839742.273	818940.428
D4	839731.653	818929.414

INTEGER POINT

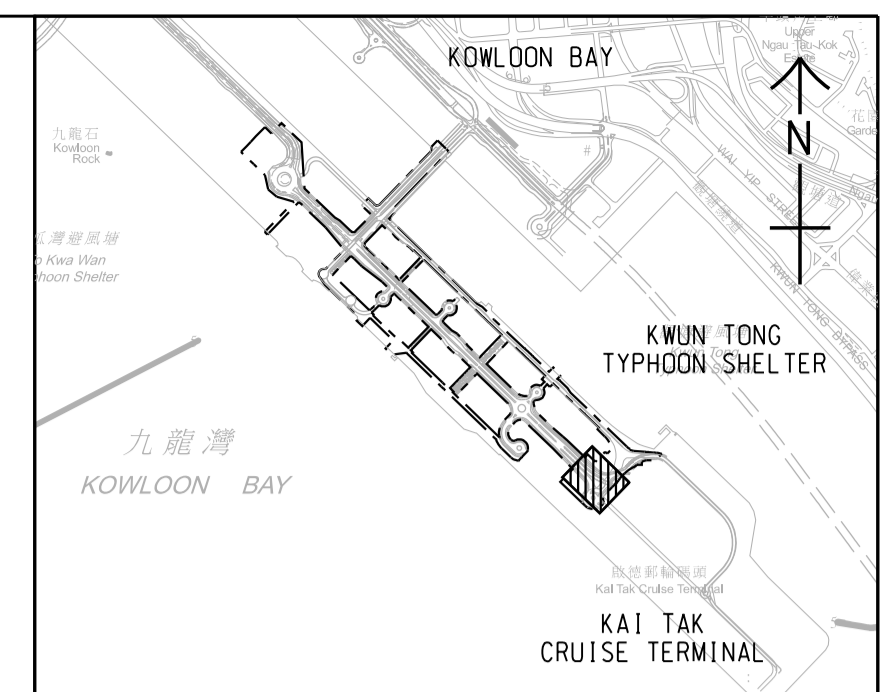
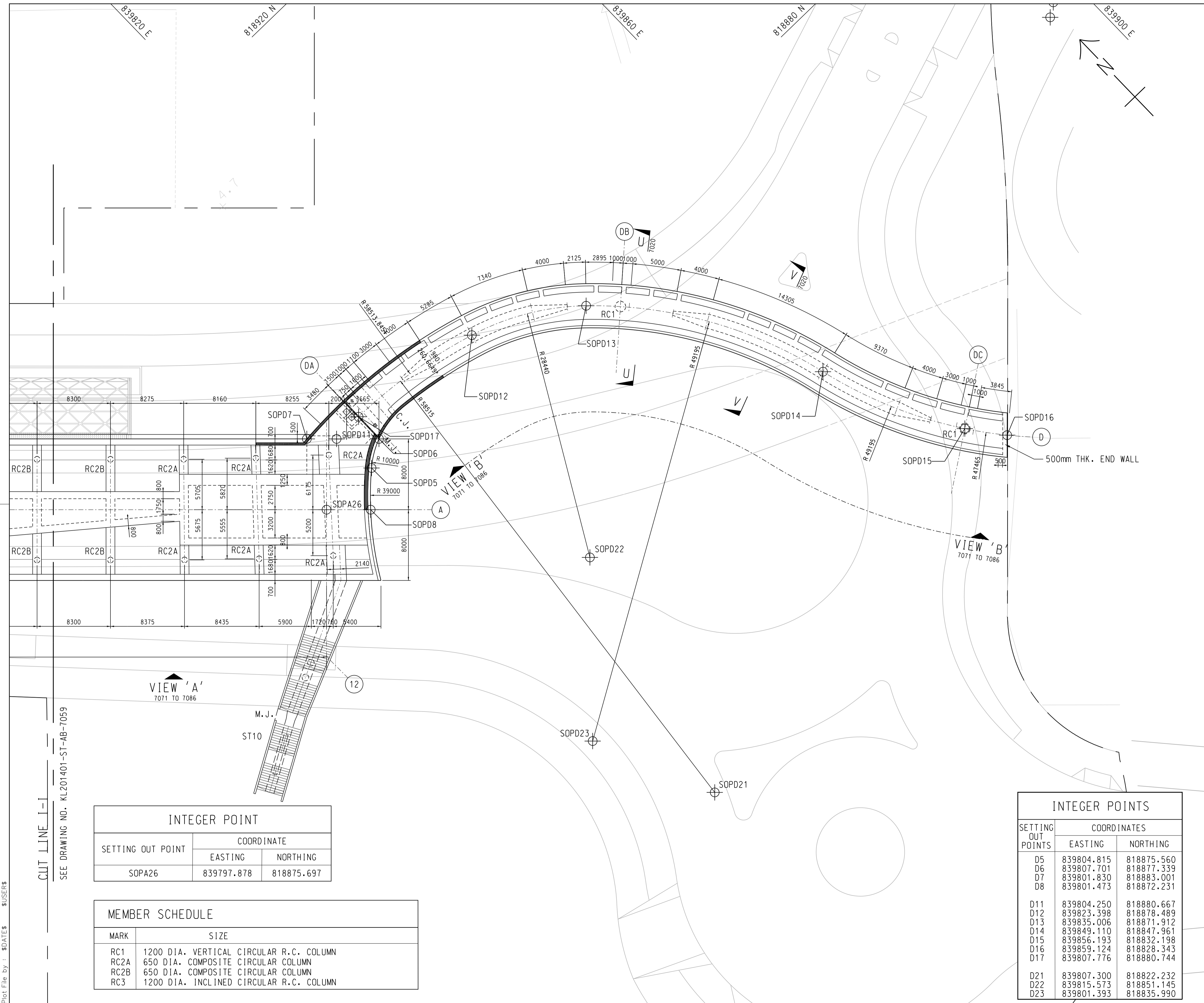
SETTING OUT POINT	COORDINATE	
	EASTING	NORTHING
SOPA24	839701.053	818969.386
SOPA25	839739.287	818932.193

MEMBER SCHEDULE

MARK	SIZE
CP1	800 DIA. COMPOSITE CIRCULAR COLUMN
CP2	600 DIA. COMPOSITE CIRCULAR COLUMN
RC1	1200 DIA. VERTICAL CIRCULAR R.C. COLUMN
RC2A	650 DIA. COMPOSITE CIRCULAR COLUMN
RC2B	650 DIA. COMPOSITE CIRCULAR COLUMN
RC3	1200 DIA. INCLINED CIRCULAR R.C. COLUMN
CC1A	1200 DIA. COMPOSITE COLUMN
CC1B	1200 DIA. COMPOSITE COLUMN WITH STRENGTHENING

CUT LINE H-H
SEE DRAWING NO. KL201401-ST-AB-7058

CUT LINE I-I
SEE DRAWING NO. KL201401-ST-AB-7060



KEY PLAN
SCALE 1:20000

- NOTES**
- THIS DRAWING SHALL BE READ IN CONJUNCTION WITH DRAWING NOS. KL201401/ST/AB/7051 TO 7061
 - FOR GENERAL NOTES AND LEGEND REFER TO DRAWING NO. KL201401/ST/AB/7401 TO 7403.
 - ARCHITECTURAL FEATURES WILL BE INCORPORATED UPON CONFIRMATION.
 - FOR GENERAL ARRANGEMENT OF STAIRCASE, REFER TO DRAWING NO. KL201401/ST/AB/7351.
 - ALL SECONDARY UPSTAND BEAM OF TYPICAL LINKING WALKWAY AS 1m WIDTH UNLESS OTHERWISE.

- LEGEND:**
- COLUMN STUD ABOVE LANDSCAPE DECK SUPPORTING EFLS (BY OTHERS)
 - STRUCTURAL OPENING (FOR SKYLIGHT)

Z1	FIRST ISSUE	AI	03/20
Rev	Description	By	Date

Supervising Officer



Contractor



Designer



Architect



Contract title
**CONTRACT NO. KL/2014/01
 KAI TAK DEVELOPMENT - STAGE 2
 INFRASTRUCTURE WORKS FOR
 DEVELOPMENTS AT THE
 SOUTHERN PART OF THE FORMER RUNWAY**

Drawing title
**SUPERSTRUCTURE -
 FRAMING PLAN**

(SHEET 10 OF 11)

Drawing no. KL201401/ST/AB/7060		Rev. Z1	
Drawn	Date	Checked	Approved
RL	-	LYL	AI
Scale	1:200 (A1)	Status	AS BUILT DRAWING

© COPYRIGHT RESERVED

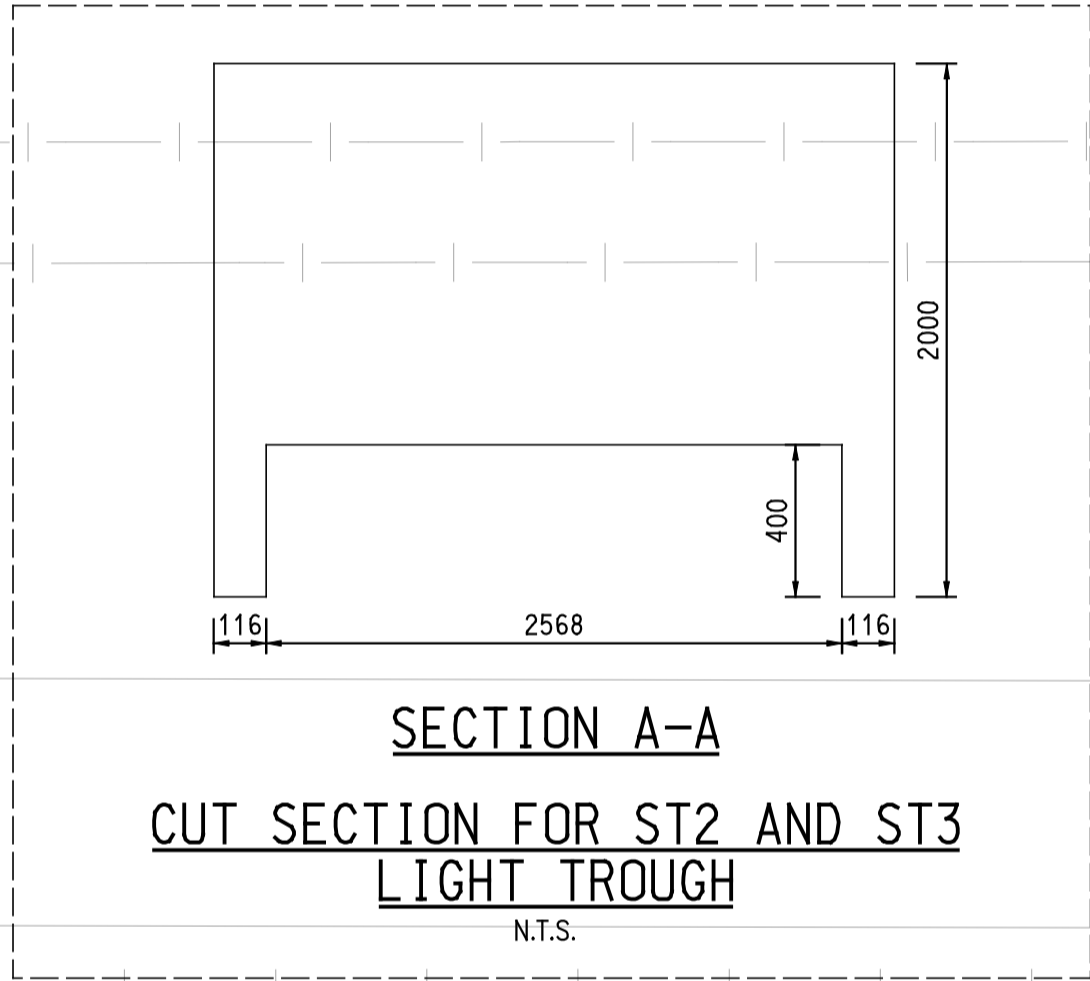
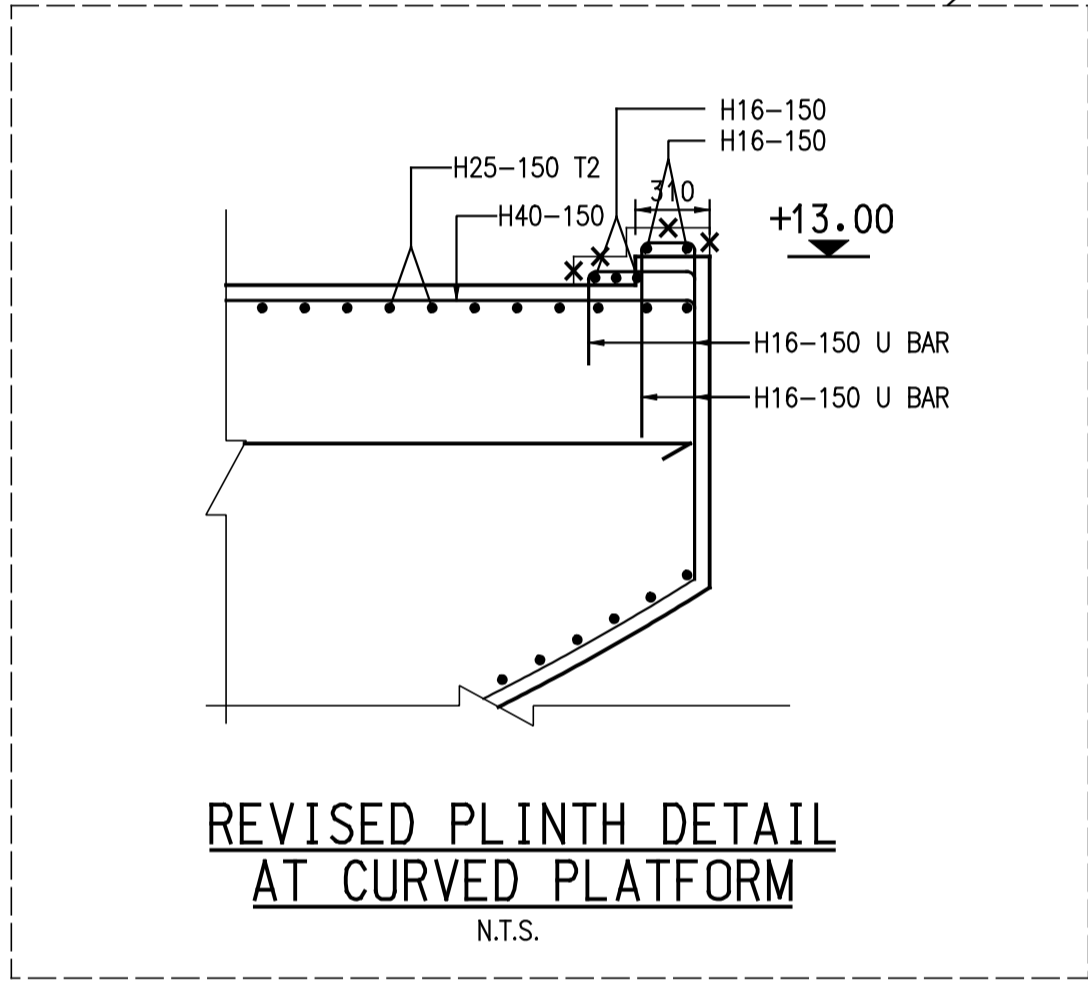
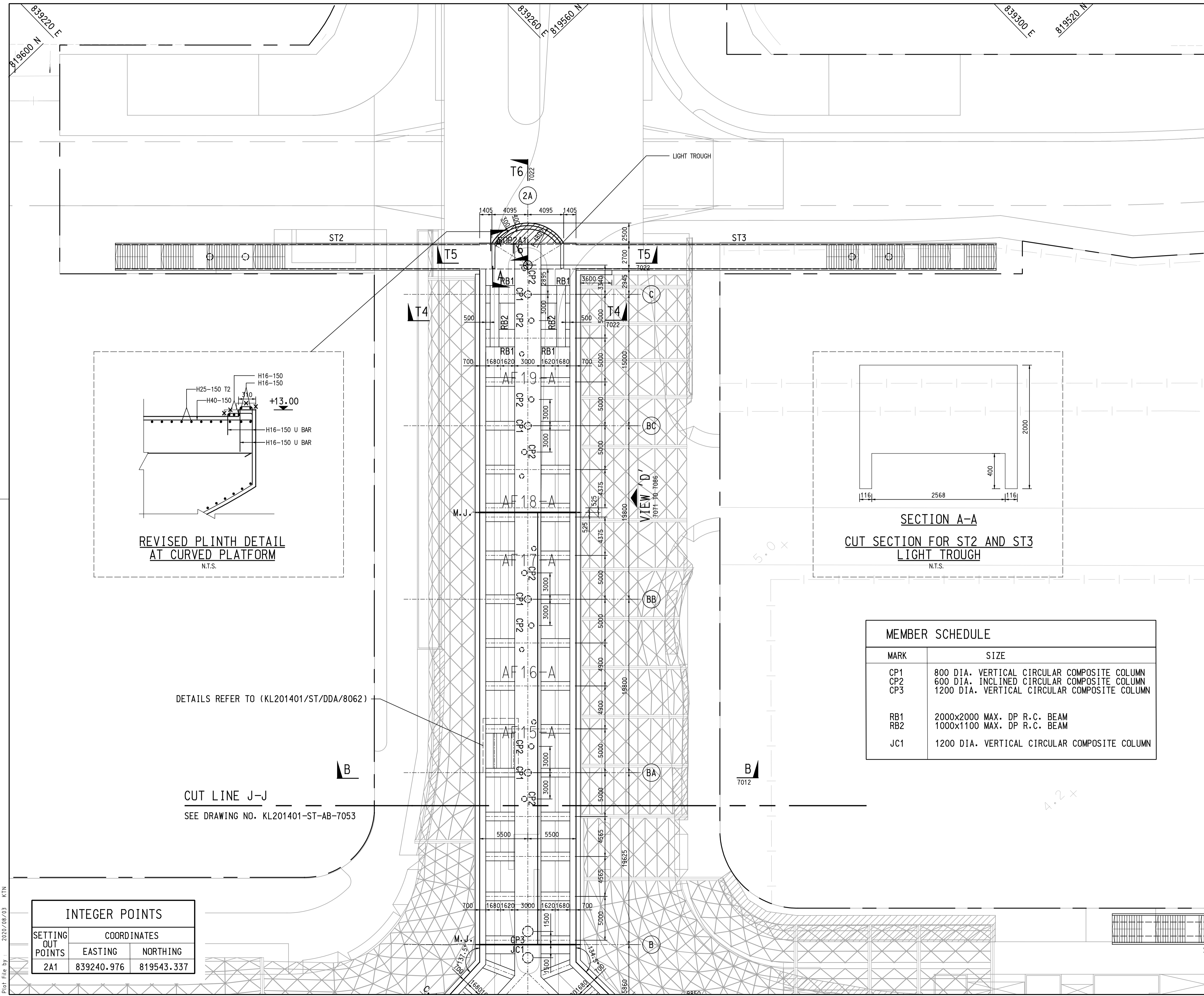
土木工程拓展署
 CIVIL ENGINEERING AND DEVELOPMENT
 DEPARTMENT
 九龍拓展處
 KOWLOON DEVELOPMENT OFFICE

INTEGER POINT		
SETTING OUT POINT	COORDINATE	
	EASTING	NORTHING
SOPA26	839797.878	818875.697

MEMBER SCHEDULE	
MARK	SIZE
RC1	1200 DIA. VERTICAL CIRCULAR R.C. COLUMN
RC2A	650 DIA. COMPOSITE CIRCULAR COLUMN
RC2B	650 DIA. COMPOSITE CIRCULAR COLUMN
RC3	1200 DIA. INCLINED CIRCULAR R.C. COLUMN

INTEGER POINTS		
SETTING OUT POINTS	COORDINATES	
	EASTING	NORTHING
D5	839804.815	818875.560
D6	839807.701	818877.339
D7	839801.830	818883.001
D8	839801.473	818872.231
D11	839804.250	818880.667
D12	839823.398	818878.489
D13	839835.006	818871.912
D14	839849.110	818847.961
D15	839856.193	818832.198
D16	839859.124	818828.343
D17	839807.776	818880.744
D21	839807.300	818822.232
D22	839815.573	818851.145
D23	839801.393	818835.990

Plot File By : \$DATES \$USERS \$FILES
 CUT LINE I-I
 SEE DRAWING NO. KL201401-ST-AB-7059



MEMBER SCHEDULE	
MARK	SIZE
CP1	800 DIA. VERTICAL CIRCULAR COMPOSITE COLUMN
CP2	600 DIA. INCLINED CIRCULAR COMPOSITE COLUMN
CP3	1200 DIA. VERTICAL CIRCULAR COMPOSITE COLUMN
RB1	2000x2000 MAX. DP R.C. BEAM
RB2	1000x1100 MAX. DP R.C. BEAM
JC1	1200 DIA. VERTICAL CIRCULAR COMPOSITE COLUMN

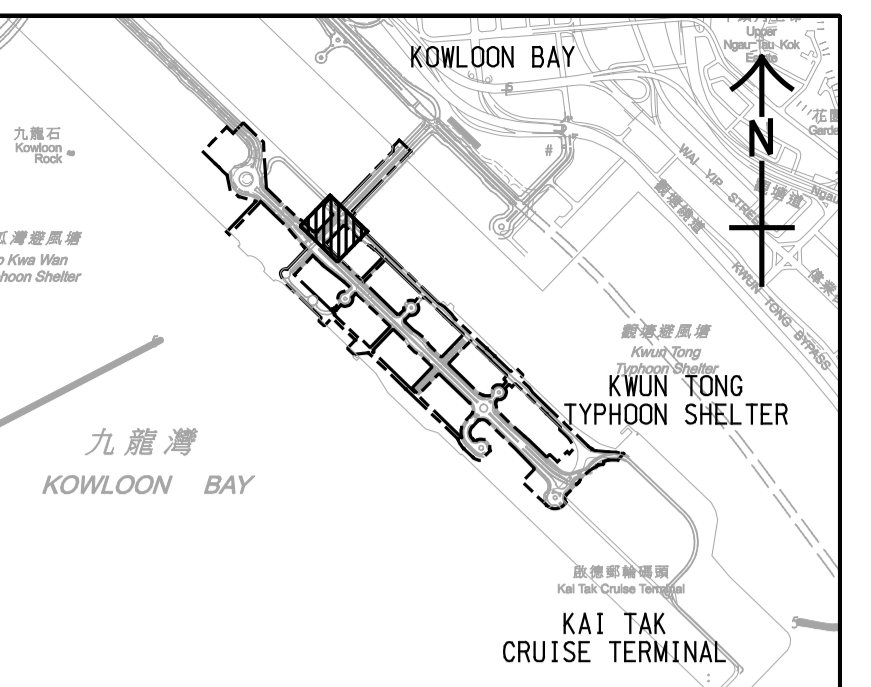
REVISED PLINTH DETAIL AT CURVED PLATFORM
N.T.S.

SECTION A-A
CUT SECTION FOR ST2 AND ST3
LIGHT TROUGH
N.T.S.

DETAILS REFER TO (KL201401/ST/DDA/8062)

CUT LINE J-J
SEE DRAWING NO. KL201401-ST-AB-7053

INTEGER POINTS		
SETTING OUT POINTS	COORDINATES	
	EASTING	NORTHING
2A1	839240.976	819543.337



KEY PLAN
SCALE 1:20000

NOTES

- THIS DRAWING SHALL BE READ IN CONJUNCTION WITH DRAWING NOS. KL201401/ST/AB/7051 TO 7061
- FOR GENERAL NOTES AND LEGEND REFER TO DRAWING NO. KL201401/ST/AB/7401 TO 7403.
- ARCHITECTURAL FEATURES WILL BE INCORPORATED UPON CONFIRMATION.
- FOR GENERAL ARRANGEMENT OF STAIRCASE, REFER TO DRAWING NO. KL201401/ST/AB/7351.
- ALL SECONDARY UPSTAND BEAM AS 1m WIDTH UNLESS OTHERWISE.

LEGEND:

- COLUMN STUD ABOVE LANDSCAPE DECK SUPPORTING EFLS (BY OTHERS)
- STRUCTURAL OPENING (FOR SKYLIGHT)

Z1	FIRST ISSUE	AI	03/20
Rev	Description	By	Date

Supervising Officer



Contractor



Designer



Architect Landscape Architect



Contract title
CONTRACT NO. KL/2014/01
KAI TAK DEVELOPMENT - STAGE 2
INFRASTRUCTURE WORKS FOR
DEVELOPMENTS AT THE
SOUTHERN PART OF THE FORMER RUNWAY

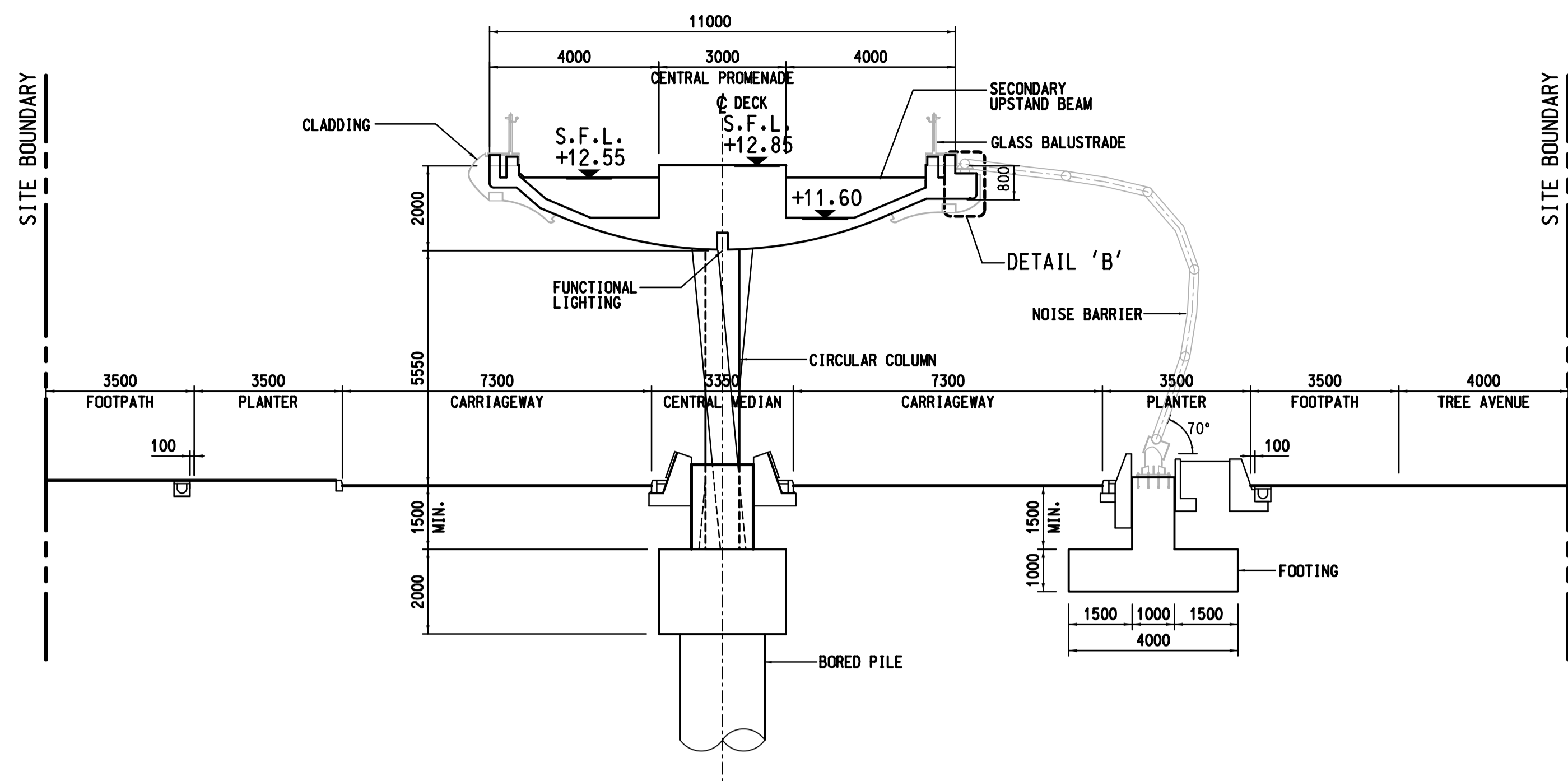
Drawing title
SUPERSTRUCTURE --
FRAMING PLAN

(SHEET 11 OF 11)

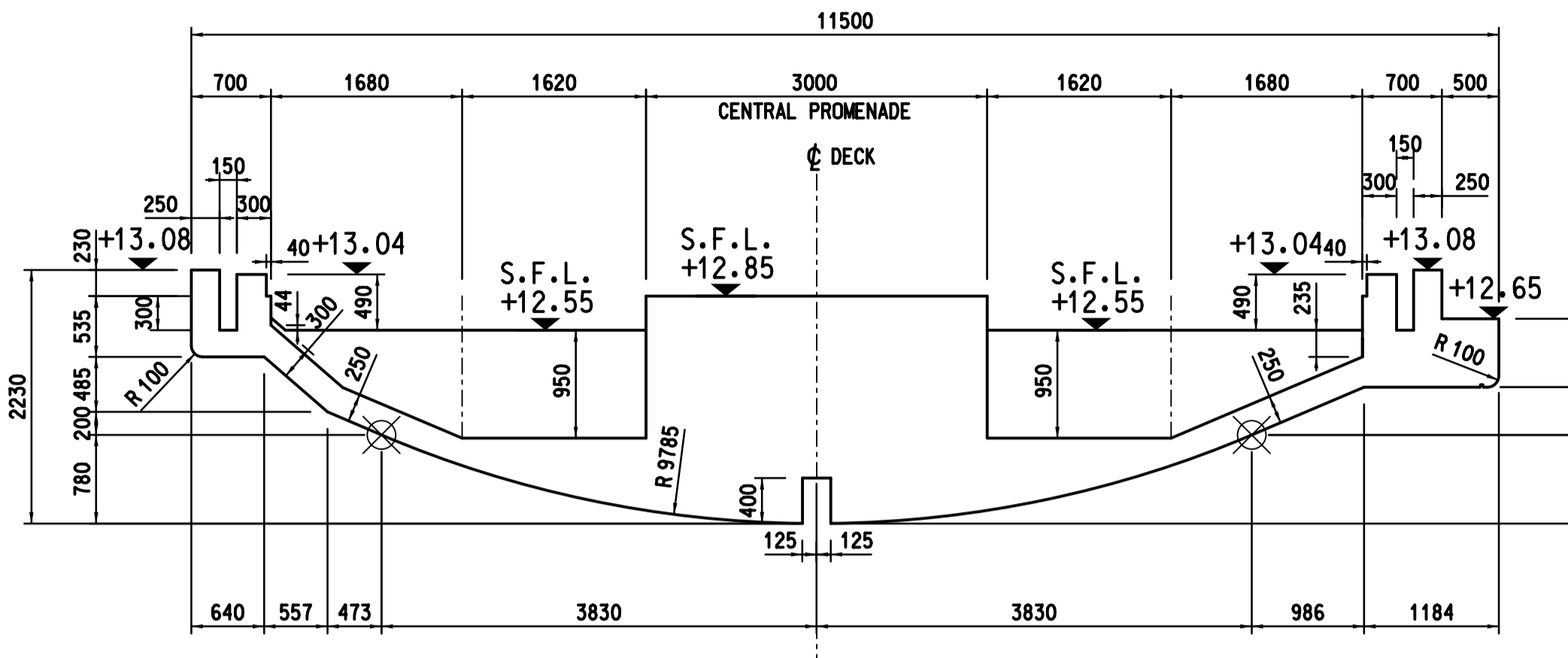
Drawn	Date	Checked	Approved
RL	-	LYL	AI
Scale	1:200 (A1)	Status	AS BUILT DRAWING

© COPYRIGHT RESERVED

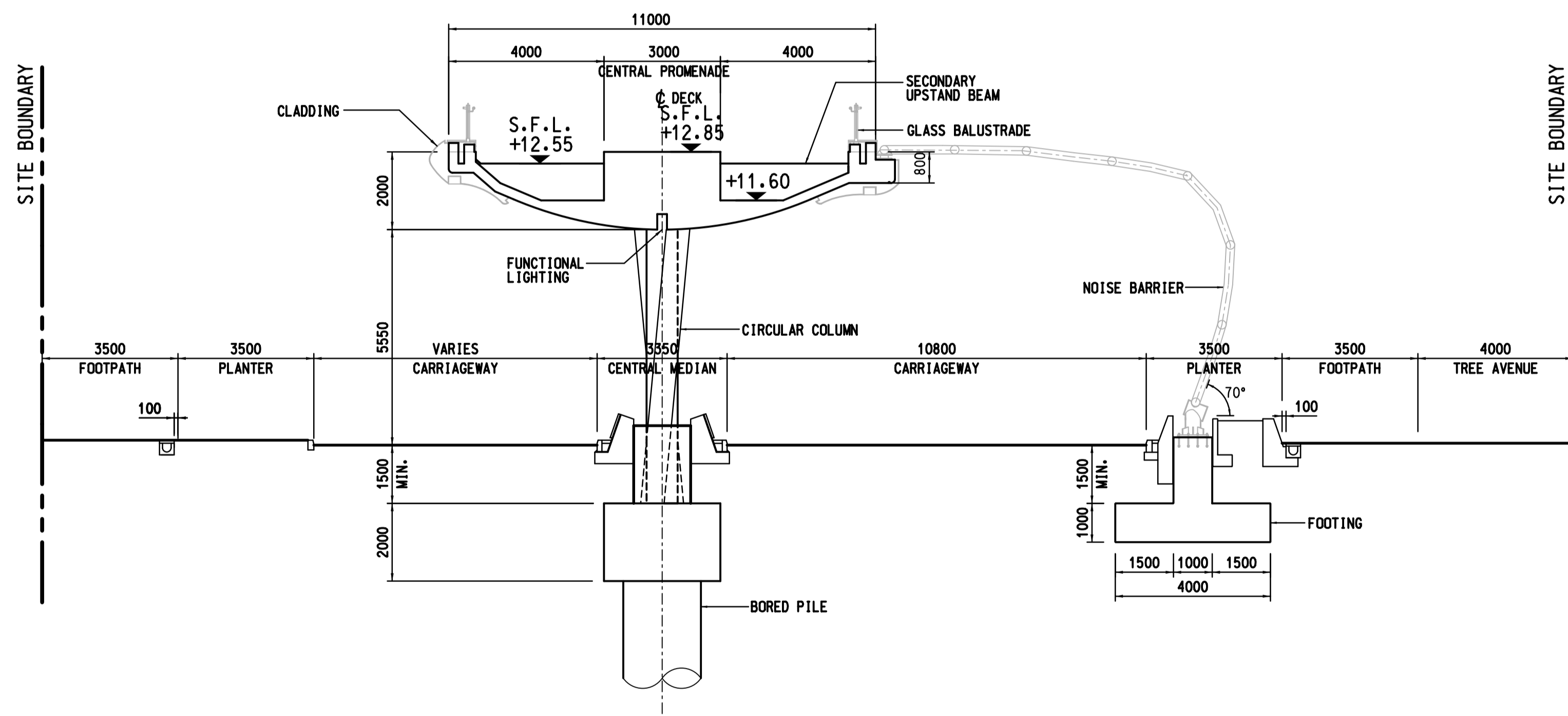
土木工程拓展署
CIVIL ENGINEERING AND DEVELOPMENT
DEPARTMENT
九龍拓展處
KOWLOON DEVELOPMENT OFFICE



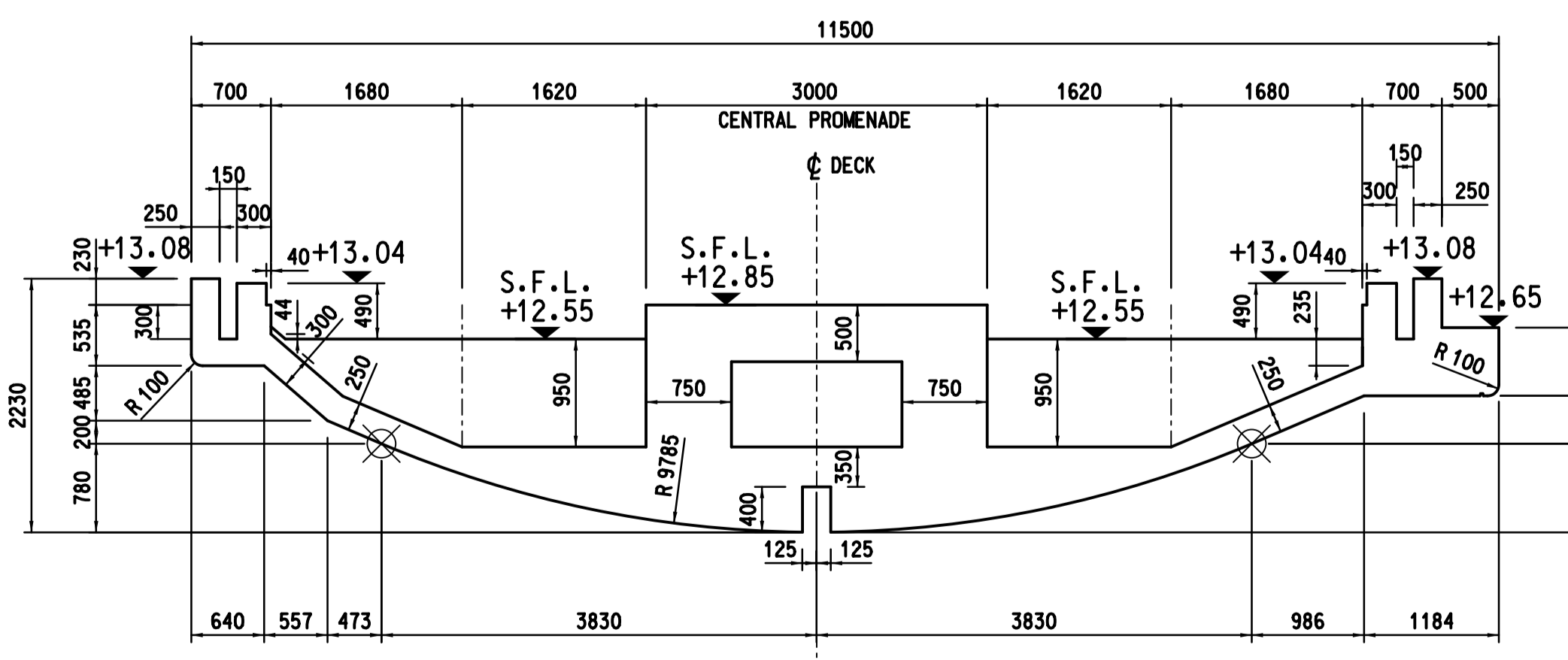
SECTION A-A
(TYPICAL SECTION FOR LINKING WALKWAY ALONG ROAD D3A)



TYPICAL SECTION FOR LINKING WALKWAY (WITHOUT VOID)
SCALE 1:50



SECTION A1-A1
(TYPICAL SECTION)



TYPICAL SECTION FOR LINKING WALKWAY (WITH VOID)
SCALE 1:50

NOTES

1. ALL DIMENSIONS SHOWN ARE IN MILLIMETRE, UNLESS OTHERWISE STATED.
2. FOR NOTES AND LEGEND REFER TO DRAWING NO. KL201401/ST/AB/7401.
3. FOR ROAD AND STREET FURNITURE, PLEASE REFER TO DRAWING NO. KL201401/CV/AB/3051 TO 3056.
4. FOR CLADDING, BALUSTRADE AND ARCHITECTURAL FEATURES, PLEASE REFER TO SEPARATE DRAWINGS.
5. ALL PILE CAP TOP LEVEL SHALL BE AT LEAST 1500mm BELOW EXISTING GROUND LEVEL OR ROAD LEVEL.
6. FOR FIXING DETAILS OF NOISE BARRIER ON DECK, REFER TO DRAWING NO. KL201401/NB/AB/9101, 9102, 9131-9133, 9161-9165.
7. RECESS FOR FUNCTIONAL LIGHTING SHALL BE 400mm(H) x 250mm(W).
8. CHAMFER AT BEAM VOID SHALL BE 25mm x 25mm

Z1	FIRST ISSUE	AL	04/20
Rev	Description	By	Date

Supervising Officer



Contractor



Designer



Architect Landscape Architect



Contract title
CONTRACT NO. KL/2014/01
KAI TAK DEVELOPMENT - STAGE 2
INFRASTRUCTURE WORKS FOR
DEVELOPMENTS AT THE
SOUTHERN PART OF THE FORMER RUNWAY

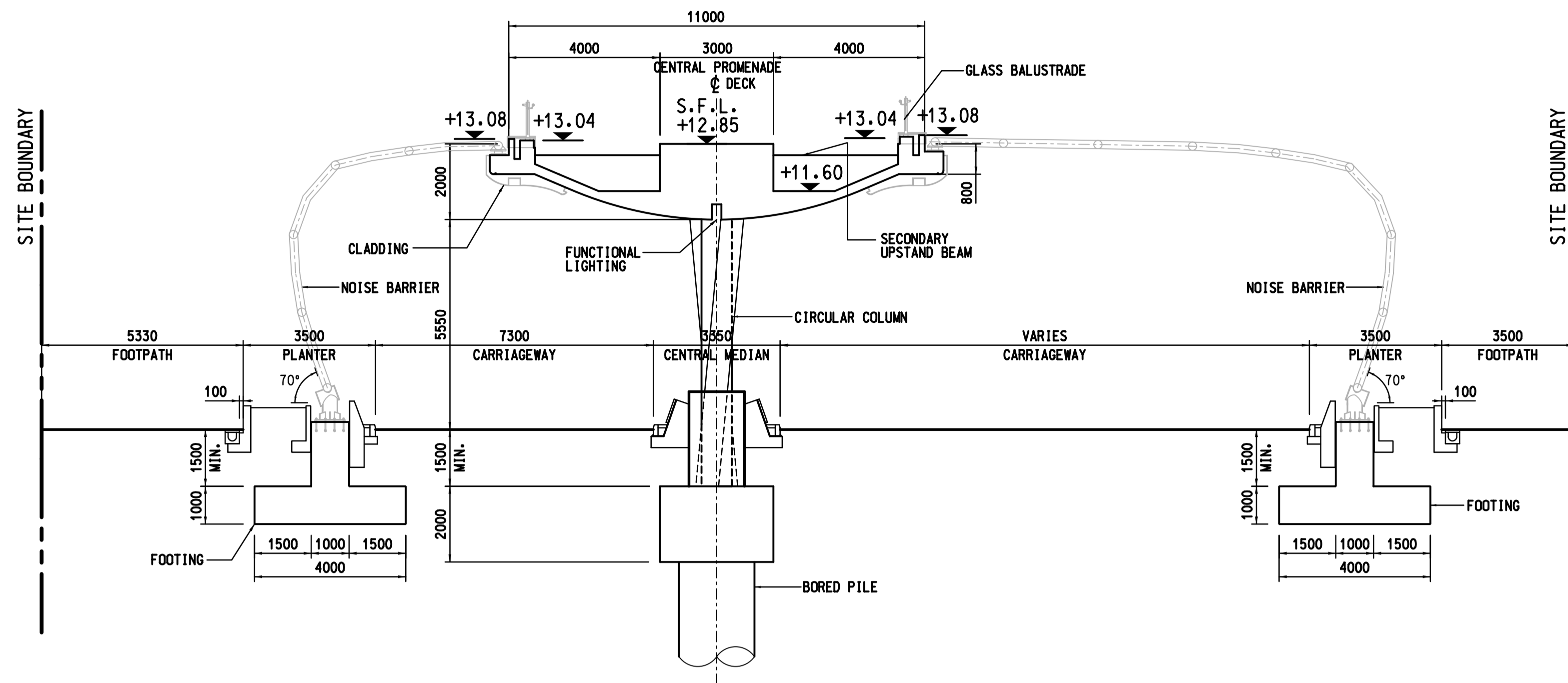
Drawing title
**SUPERSTRUCTURE -
CROSS SECTION**

SHEET 1 OF 11

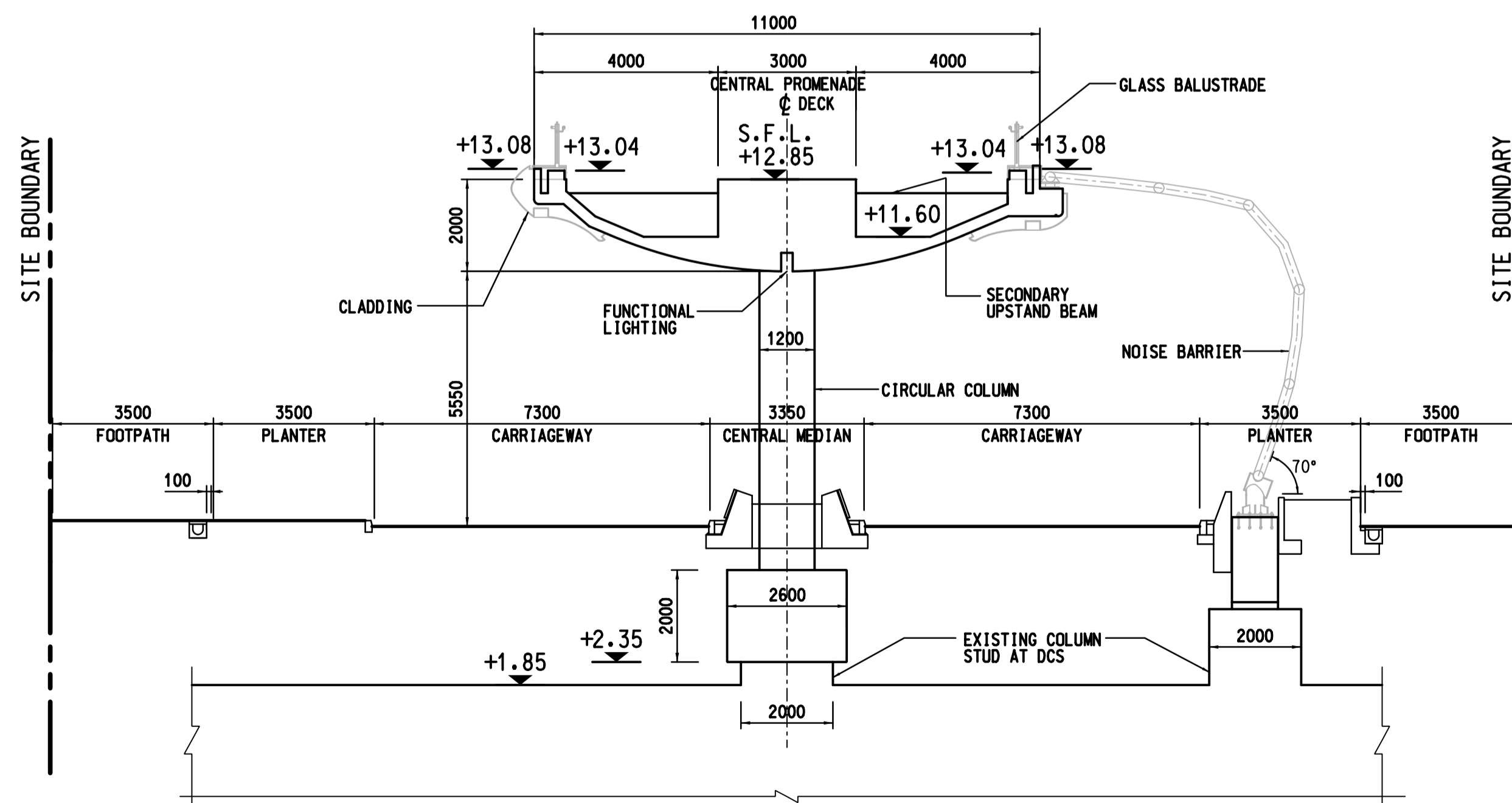
Drawing no. KL201401/ST/AB/7011		Rev. Z1	
Drawn RL	Date	Checked LYL	Approved A1
Scale 1:100 (A1)		Status AS BUILT DRAWING	

© COPYRIGHT RESERVED





SECTION B-B
(TYPICAL SECTION ALONG ROAD D4A)



SECTION C-C
(TYPICAL SECTION FOR LINKING WALKWAY AT DCS)

NOTES

1. ALL DIMENSIONS SHOWN ARE IN MILLIMETRE. UNLESS OTHERWISE STATED.
2. FOR NOTES AND LEGEND REFER TO DRAWING NO. KL201401/ST/AB/7401.
3. FOR ROAD AND STREET FURNITURE, PLEASE REFER TO DRAWING NO. KL201401/CV/AB/3051 TO 3056.
4. FOR CLADDING, BALUSTRADE AND ARCHITECTURAL FEATURES, PLEASE REFER TO SEPARATE DRAWINGS.
5. ALL PILE CAP TOP LEVEL SHALL BE AT LEAST 1500mm BELOW EXISTING GROUND LEVEL OR ROAD LEVEL.

Z1	FIRST ISSUE	AI	03/20
Rev	Description	By	Date

Supervising Officer



Contractor



Designer



Architect Landscape Architect



Contract title
CONTRACT NO. KL/2014/01
KAI TAK DEVELOPMENT - STAGE 2
INFRASTRUCTURE WORKS FOR
DEVELOPMENTS AT THE
SOUTHERN PART OF THE FORMER RUNWAY

Drawing title
**SUPERSTRUCTURE -
CROSS SECTION**

SHEET 2 OF 12

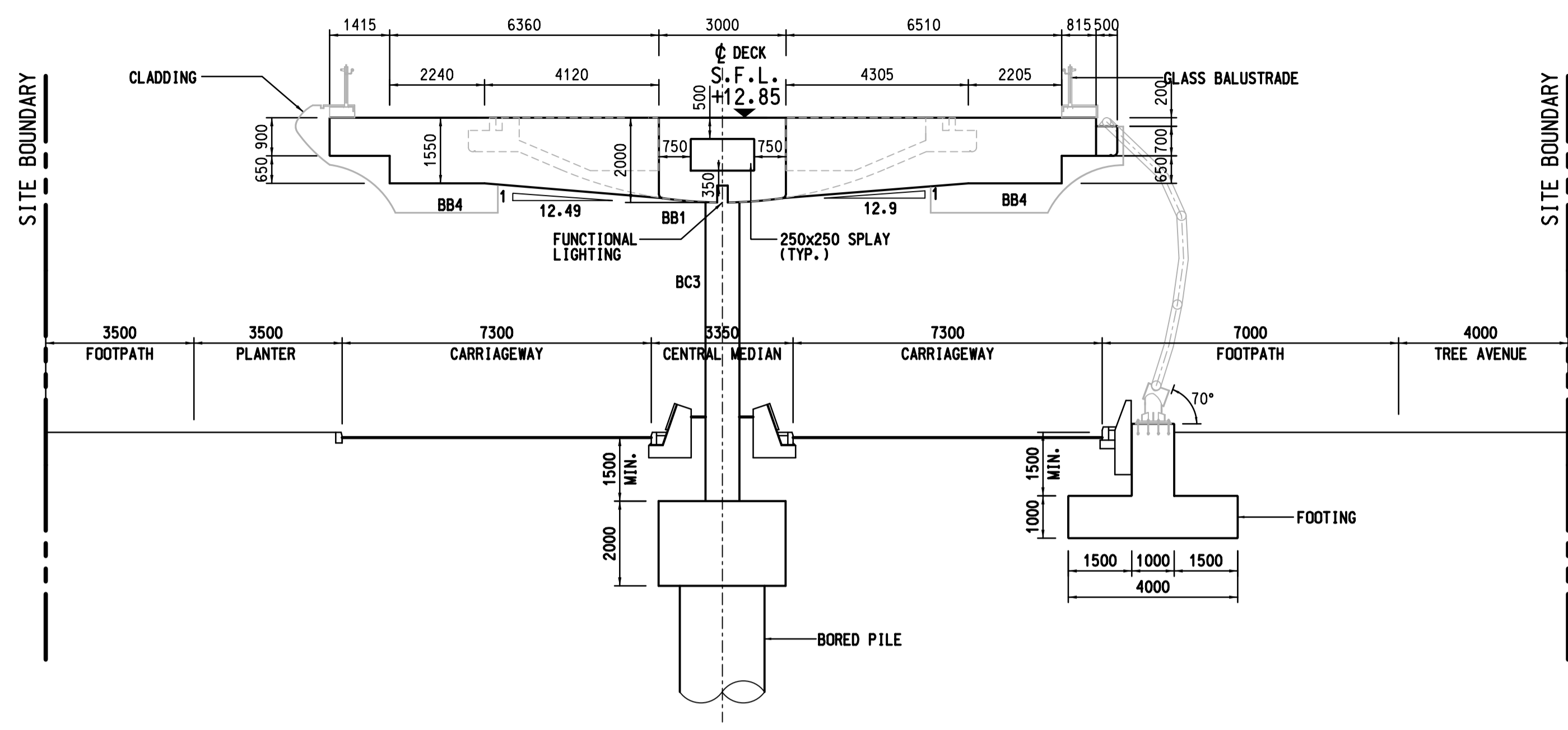
Drawing no. KL201401/ST/AB/7012		Rev. Z1	
Drawn RL	Date - FEB 2017	Checked LYL	Approved AI
Scale 1:100 (A1)		Status AS BUILT DRAWING	

© COPYRIGHT RESERVED

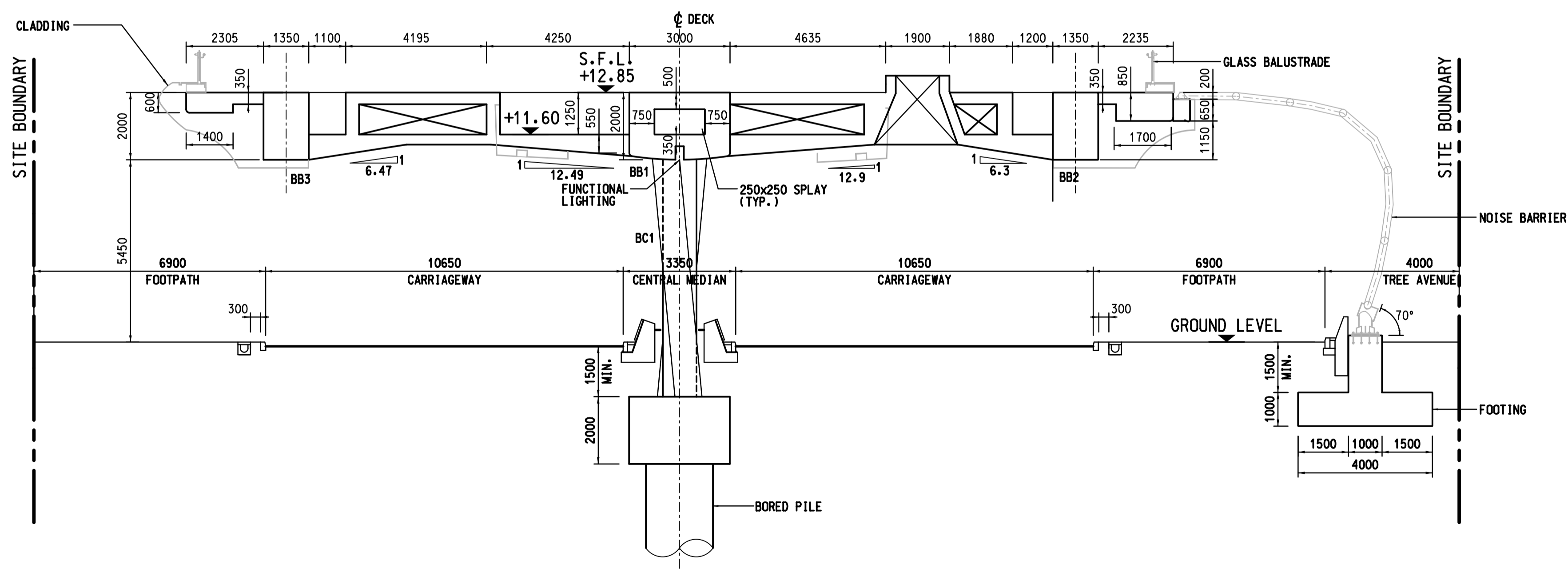


NOTES

1. ALL DIMENSIONS SHOWN ARE IN MILLIMETRE. UNLESS OTHERWISE STATED.
2. FOR ROAD AND STREET FURNITURE, PLEASE REFER TO DRAWING NO. KL201401/CV/AB/3041 TO 3046.
3. FOR CLADDING, BALUSTRADE AND ARCHITECTURAL FEATURES, PLEASE REFER TO SEPARATE DRAWINGS.
4. STAIRCASE ST6 NOT SHOWN FOR CLARITY.



SECTION E1-E1
(URBAN ROOM B)



SECTION E2-E2
(URBAN ROOM B)

Z1	FIRST ISSUE	AI	03/20
Rev	Description	By	Date

Supervising Officer



Contractor



Designer



Architect Landscape Architect



Contract title
 CONTRACT NO. KL/2014/01
 KAI TAK DEVELOPMENT - STAGE 2
 INFRASTRUCTURE WORKS FOR
 DEVELOPMENTS AT THE
 SOUTHERN PART OF THE FORMER RUNWAY

Drawing title
**SUPERSTRUCTURE -
 CROSS SECTION**

SHEET 6 OF 12

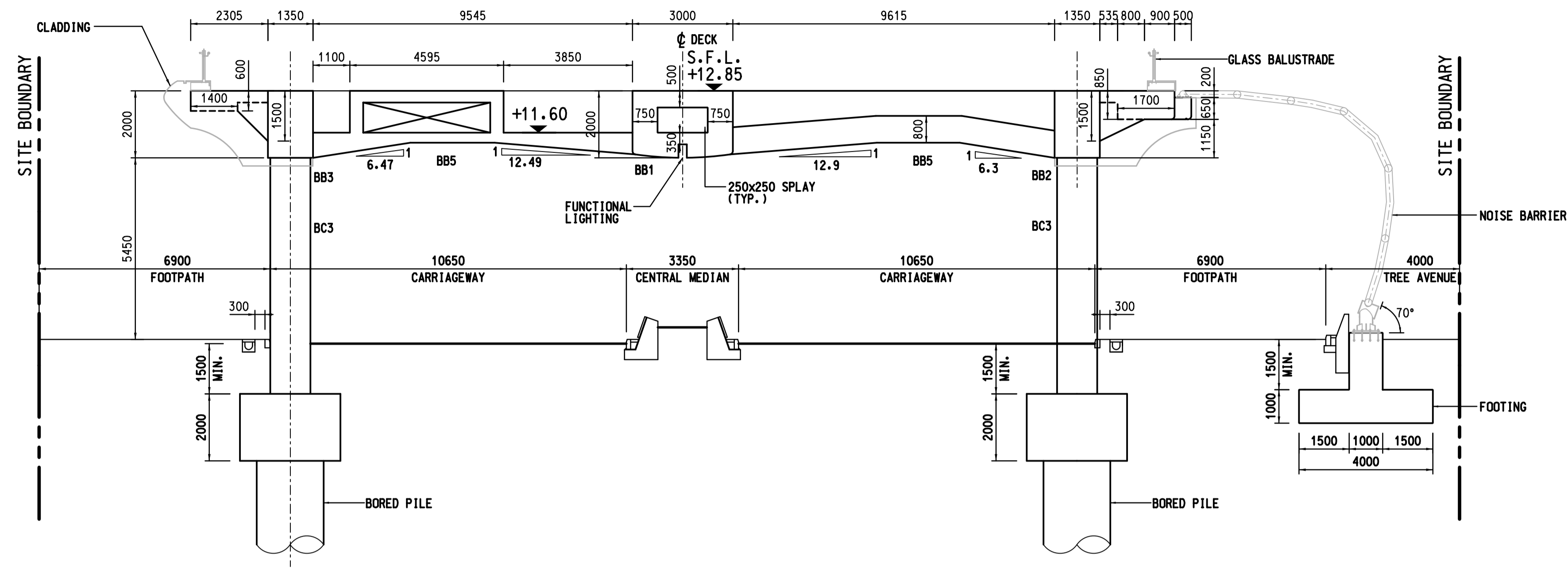
Drawing no. KL201401/ST/AB/7016		Rev. Z1	
Drawn RL	Date - FEB 2017	Checked LYL	Approved AI
Scale 1:100 (A1)		Status AS BUILT DRAWING	

© COPYRIGHT RESERVED

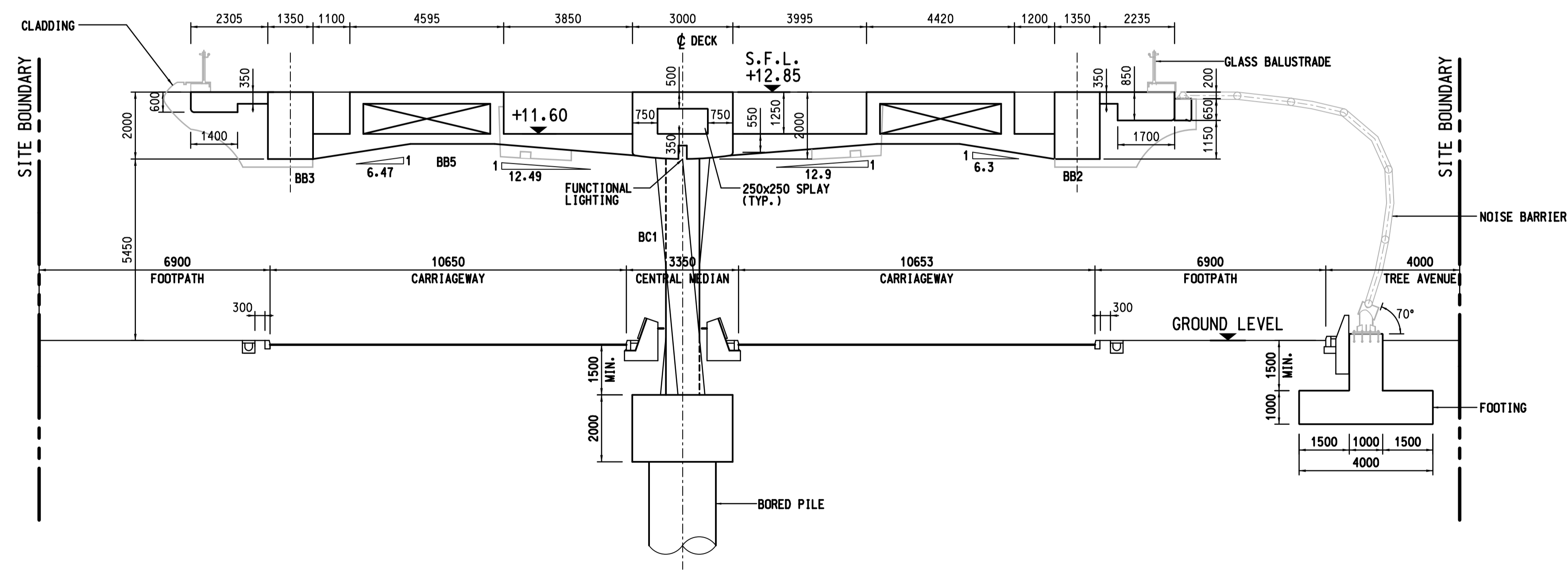


NOTES

1. ALL DIMENSIONS SHOWN ARE IN MILLIMETRE, UNLESS OTHERWISE STATED.
2. FOR ROAD AND STREET FURNITURE, PLEASE REFER TO DRAWING NO. KL201401/CV/DDA/3041 TO 3046.
3. FOR CLADDING, BALUSTRADE AND ARCHITECTURAL FEATURES, PLEASE REFER TO SEPARATE DRAWINGS.



SECTION E3-E3
(URBAN ROOM B)



SECTION E4-E4
(URBAN ROOM B)

Z1	FIRST ISSUE	AI	03/20
Rev	Description	By	Date

Supervising Officer



Contractor



Designer



Architect Landscape Architect



Contract title
 CONTRACT NO. KL/2014/01
 KAI TAK DEVELOPMENT - STAGE 2
 INFRASTRUCTURE WORKS FOR
 DEVELOPMENTS AT THE
 SOUTHERN PART OF THE FORMER RUNWAY

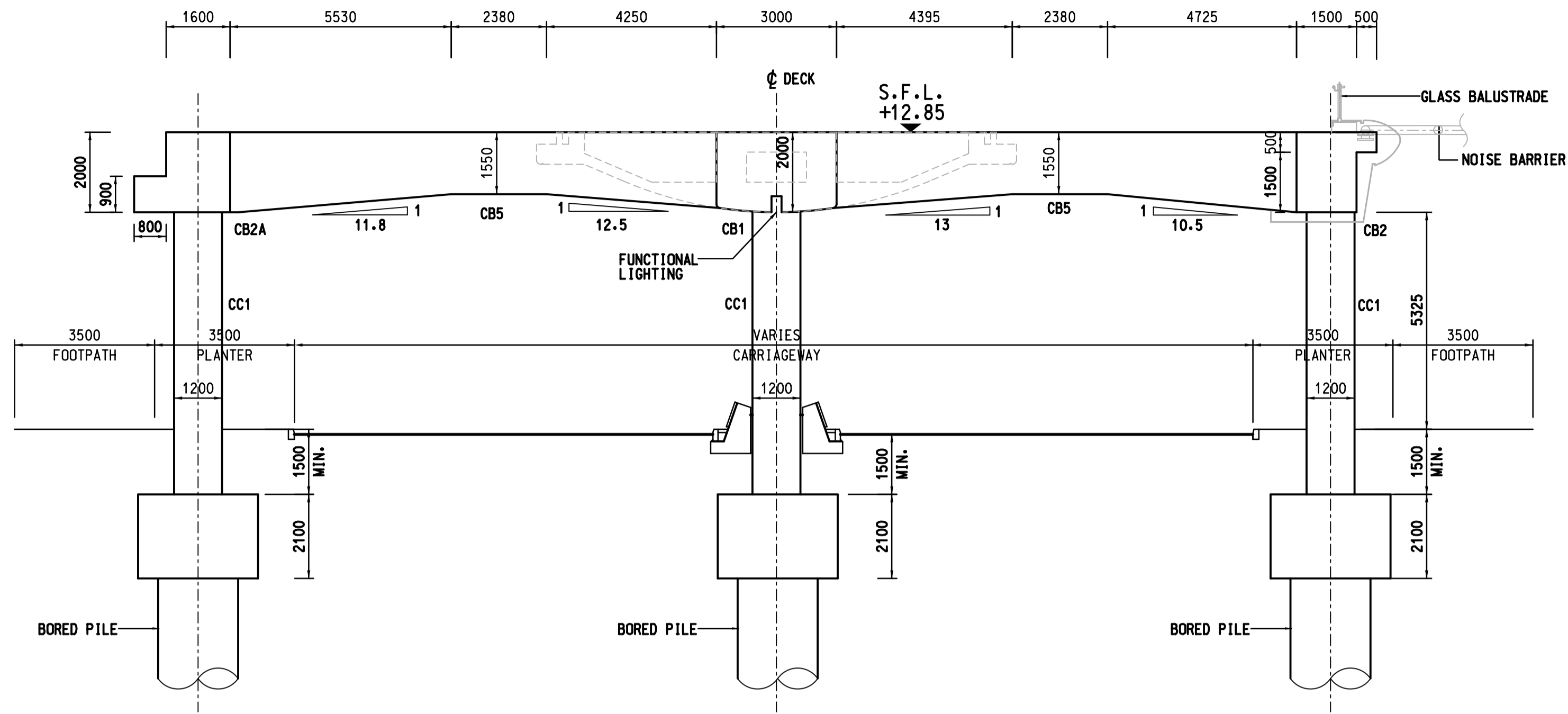
Drawing title
**SUPERSTRUCTURE -
 CROSS SECTION**

SHEET 7 OF 12

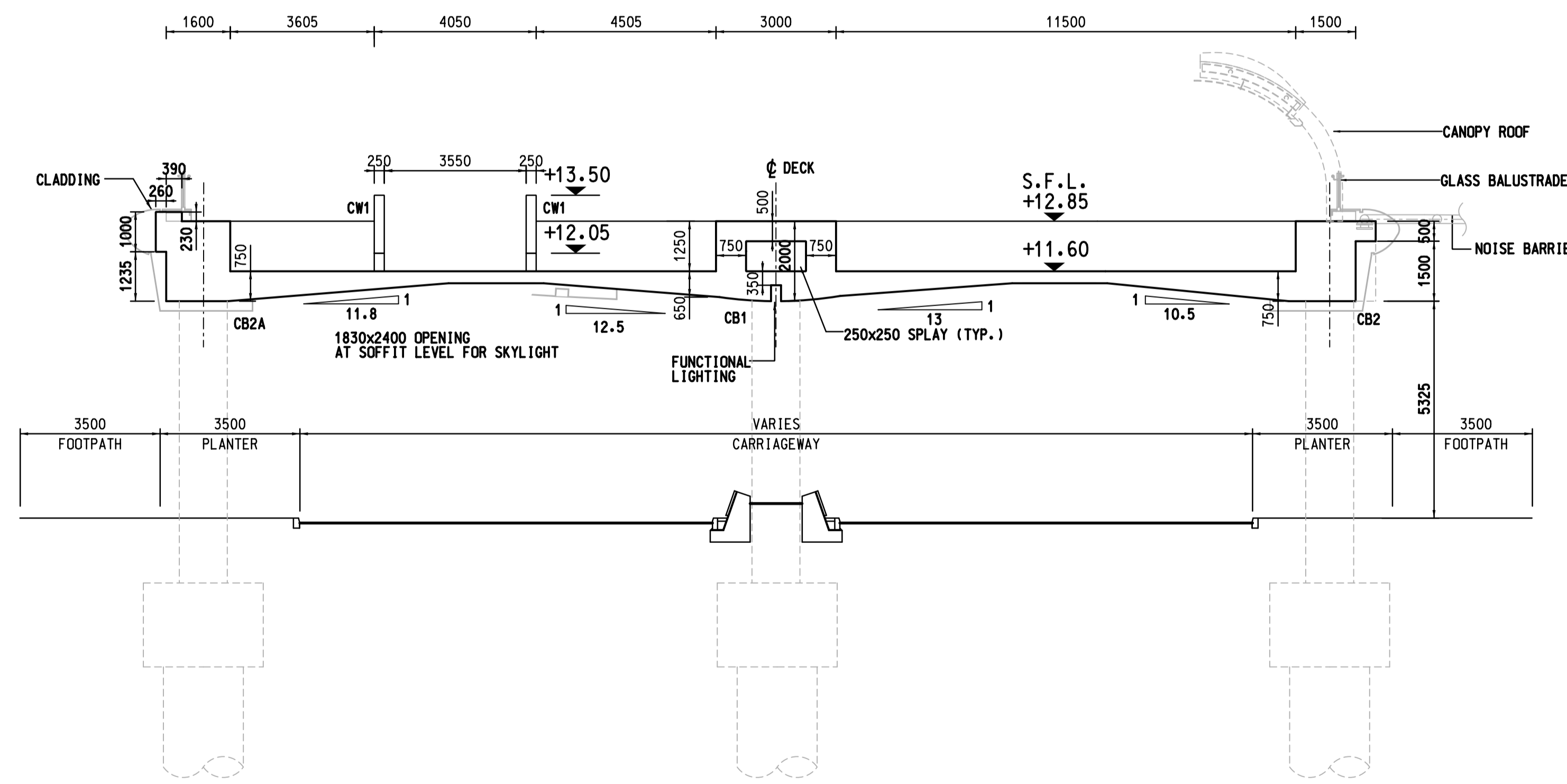
Drawing no.	KL201401/ST/DDA/7017	Rev.	Z1
Drawn	Date	Checked	Approved
RL	- FEB 2017	LYL	AI
Scale	1:100 (A1)	Status	AS BUILT DRAWING

© COPYRIGHT RESERVED

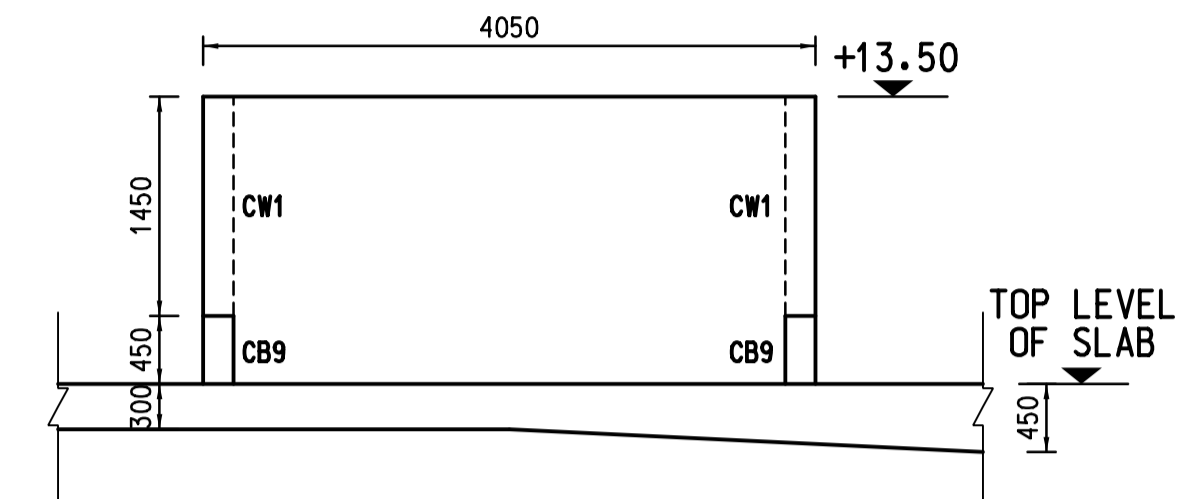




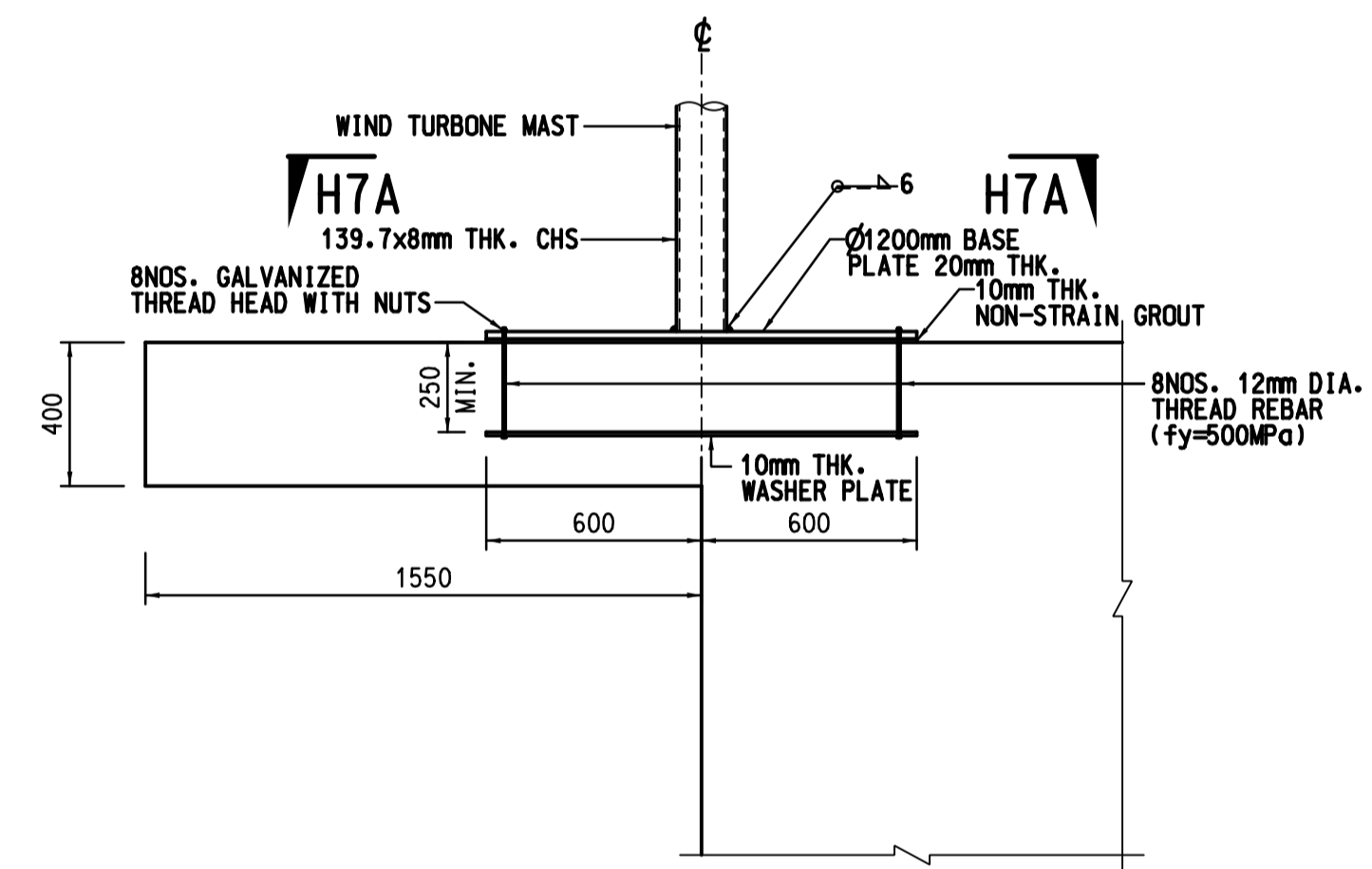
SECTION H1-H1
(URBAN ROOM C)



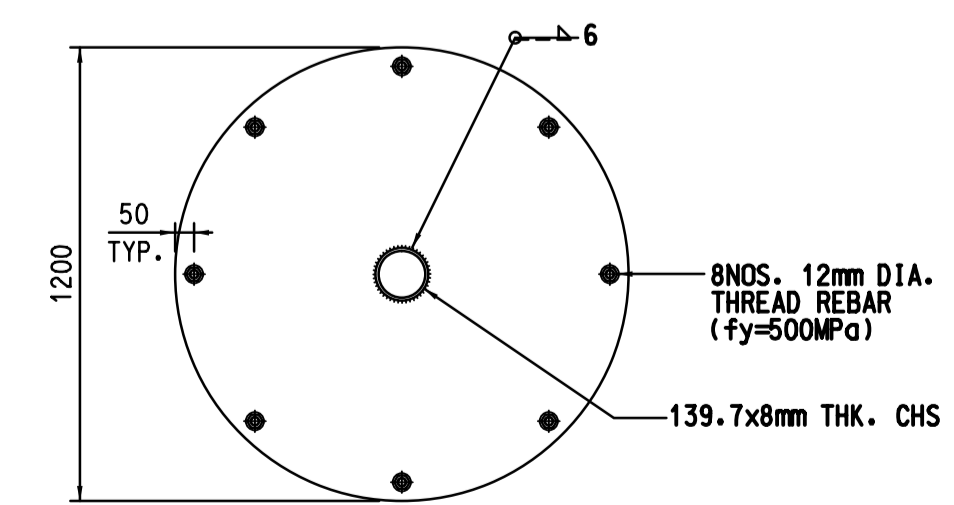
SECTION H2-H2
(URBAN ROOM C)



SECTION H6-H6
(URBAN ROOM C)
SCALE 1:50



SECTION H7-H7
(URBAN ROOM C)
SCALE 1:20



SECTION H7A-H7A
SCALE 1:20

NOTES

1. ALL DIMENSIONS SHOWN ARE IN MILLIMETRE. UNLESS OTHERWISE STATED.
2. FOR NOTES AND LEGEND REFER TO DRAWING NO. KL201401/ST/AB/7401.
3. FOR ROAD AND STREET FURNITURE, PLEASE REFER TO DRAWING NO. KL201401/CV/AB/3051 TO 3056.
4. FOR CLADDING, BALUSTRADE AND ARCHITECTURAL FEATURES, PLEASE REFER TO SEPARATE DRAWINGS.
5. ALL PILE CAP TOP LEVEL SHALL BE AT LEAST 1500mm BELOW EXISTING GROUND LEVEL OR ROAD LEVEL.
6. RECESS FOR FUNCTIONAL LENTHING SHALL BE 400mm(H) x 250mm(W).

Z1	FIRST ISSUE	AI	02/20
Rev	Description	By	Date

Supervising Officer

AECOM

Contractor



Designer



Architect Landscape Architect



Contract title
 CONTRACT NO. KL/2014/01
 KAI TAK DEVELOPMENT - STAGE 2
 INFRASTRUCTURE WORKS FOR
 DEVELOPMENTS AT THE
 SOUTHERN PART OF THE FORMER RUNWAY

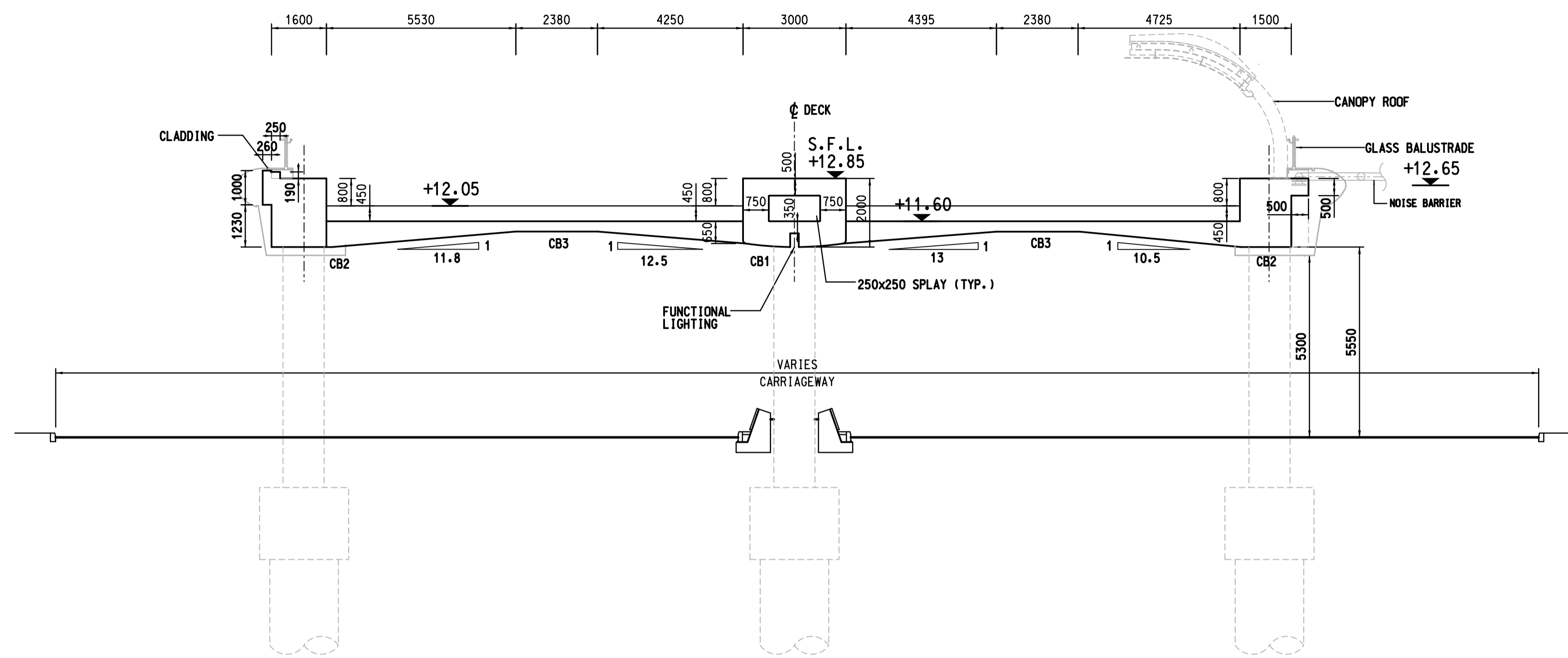
Drawing title
**SUPERSTRUCTURE -
 CROSS SECTION**

SHEET 8 OF 12

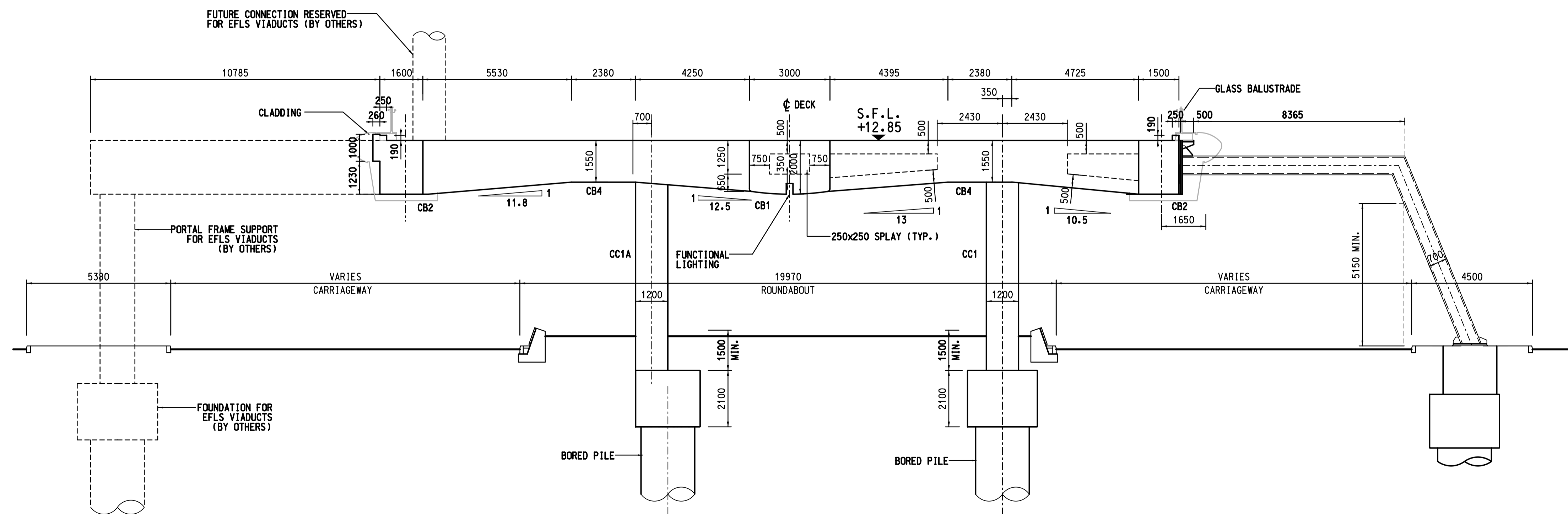
Drawing no. KL201401/ST/AB/7018		Rev. Z1	
Drawn RL	Date - FEB 2017	Checked LYL	Approved AI
Scale 1:100 (A1)		Status AS BUILT DRAWING	

© COPYRIGHT RESERVED





SECTION H3-H3
(URBAN ROOM C)



SECTION H4-H4
(URBAN ROOM C)

NOTES

1. ALL DIMENSIONS SHOWN ARE IN MILLIMETRE, UNLESS OTHERWISE STATED.
2. FOR NOTES AND LEGEND REFER TO DRAWING NO. KL201401/ST/AB/7401.
3. FOR ROAD AND STREET FURNITURE, PLEASE REFER TO DRAWING NO. KL201401/CV/AB/3051 TO 3056.
4. FOR CLADDING, BALUSTRADE AND ARCHITECTURAL FEATURES, PLEASE REFER TO SEPARATE DRAWINGS.
5. ALL PILE CAP TOP LEVEL SHALL BE AT LEAST 1500mm BELOW EXISTING GROUND LEVEL OR ROAD LEVEL.
6. RECESS FOR FUNCTIONAL LIGHTING SHALL BE 400mm(H) x 250mm(W)

Z1	FIRST ISSUE	AI	03/20
Rev	Description	By	Date

Supervising Officer



Contractor



Designer



Architect Landscape Architect



Contract title
CONTRACT NO. KL/2014/01
KAI TAK DEVELOPMENT - STAGE 2
INFRASTRUCTURE WORKS FOR
DEVELOPMENTS AT THE
SOUTHERN PART OF THE FORMER RUNWAY

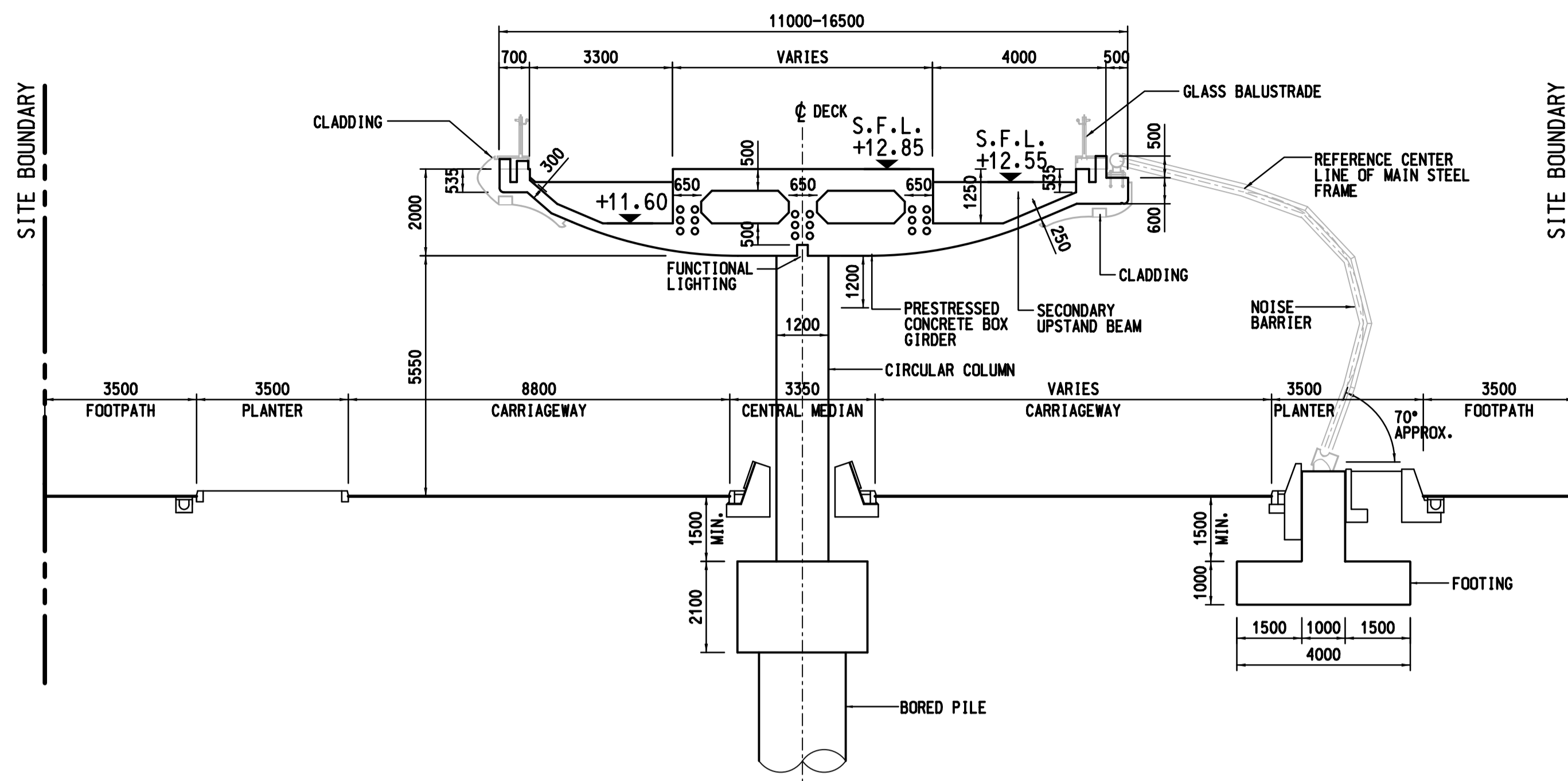
Drawing title
**SUPERSTRUCTURE -
CROSS SECTION**

SHEET 9 OF 12

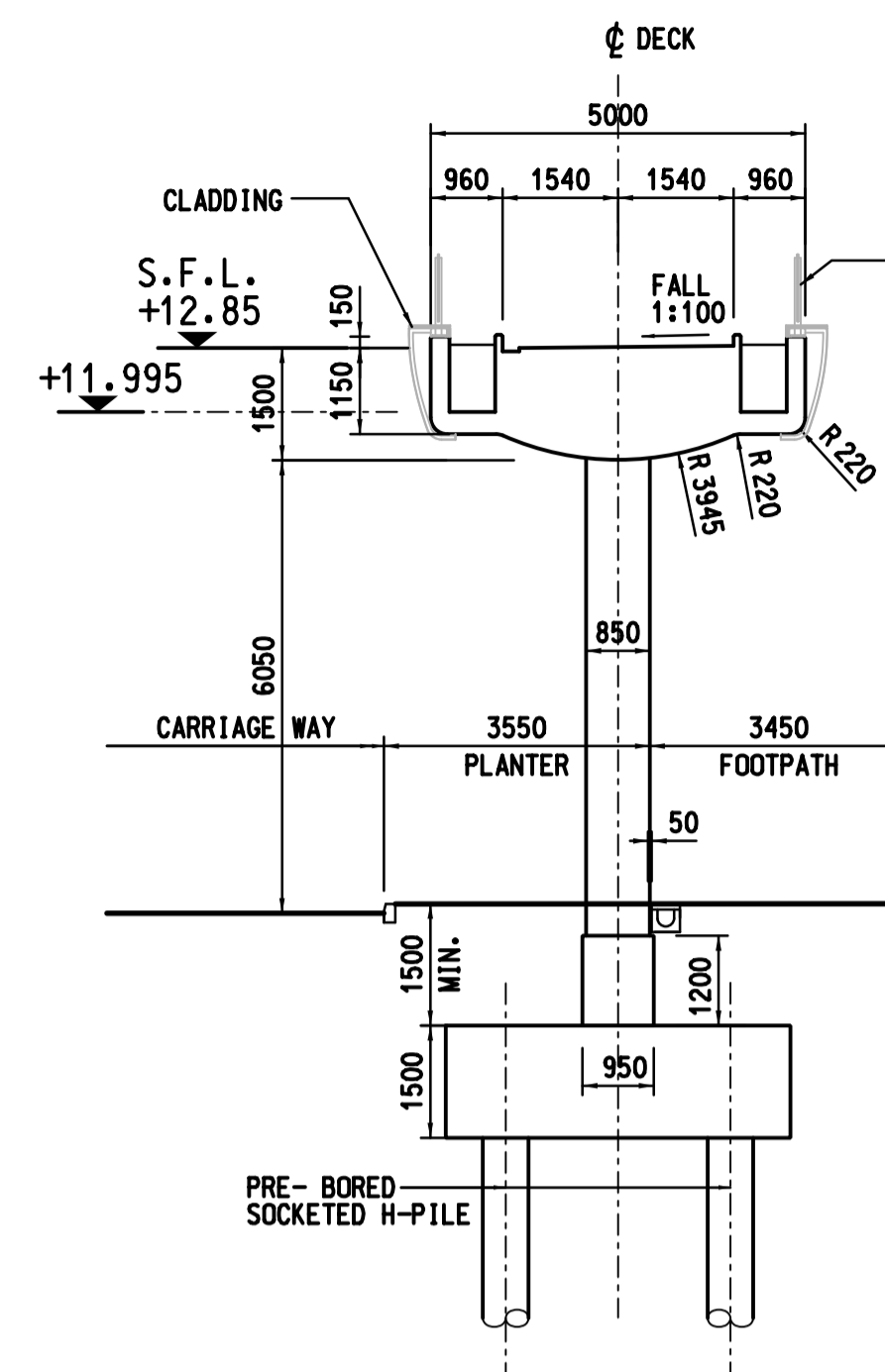
Drawing no. KL201401/ST/AB/7019		Rev. Z1	
Drawn RL	Date - FEB 2017	Checked LYL	Approved AI
Scale 1:100 (A1)		Status AS BUILT DRAWING	

© COPYRIGHT RESERVED

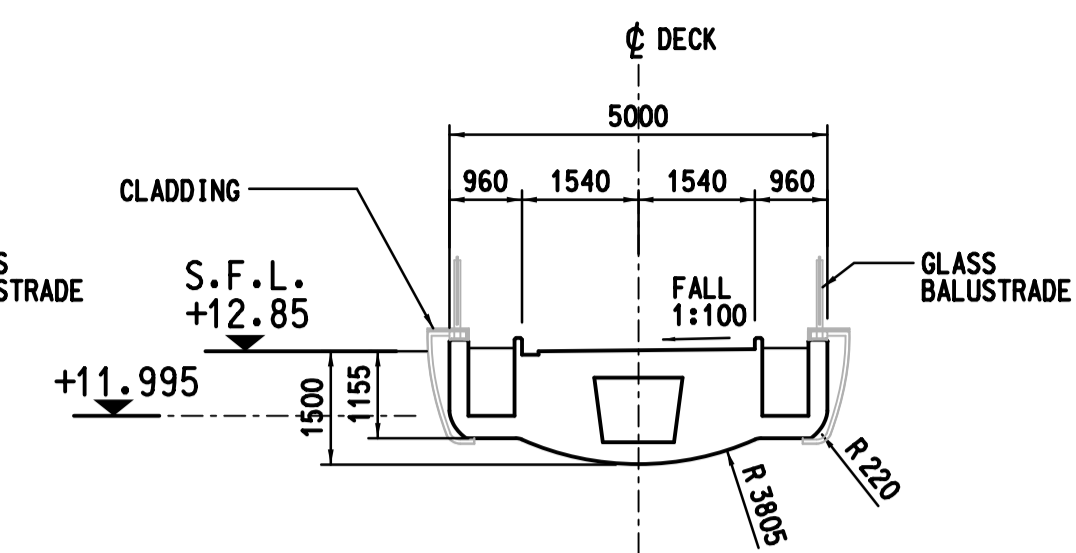




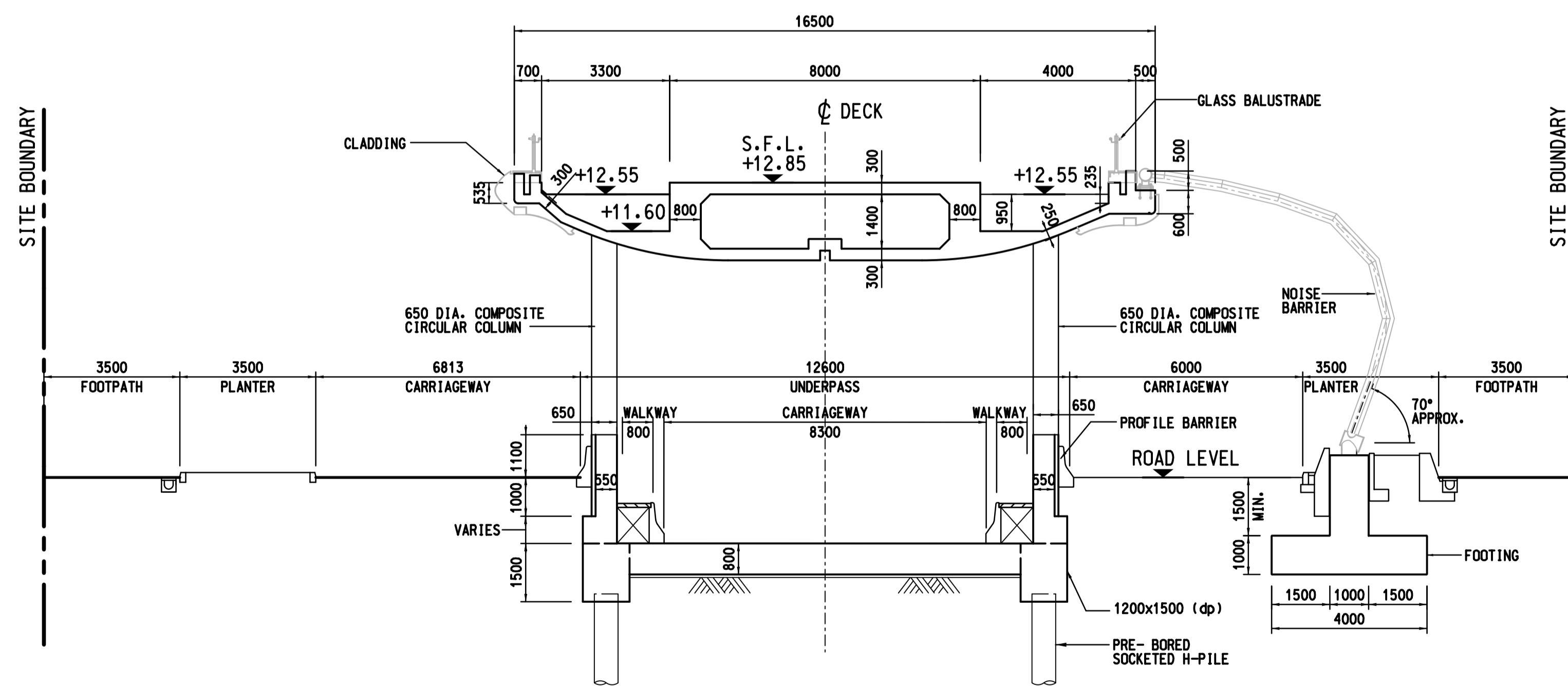
SECTION K-K
(TYPICAL SECTION ALONG ROAD L14 AT UNDERPASS ENTRANCE)



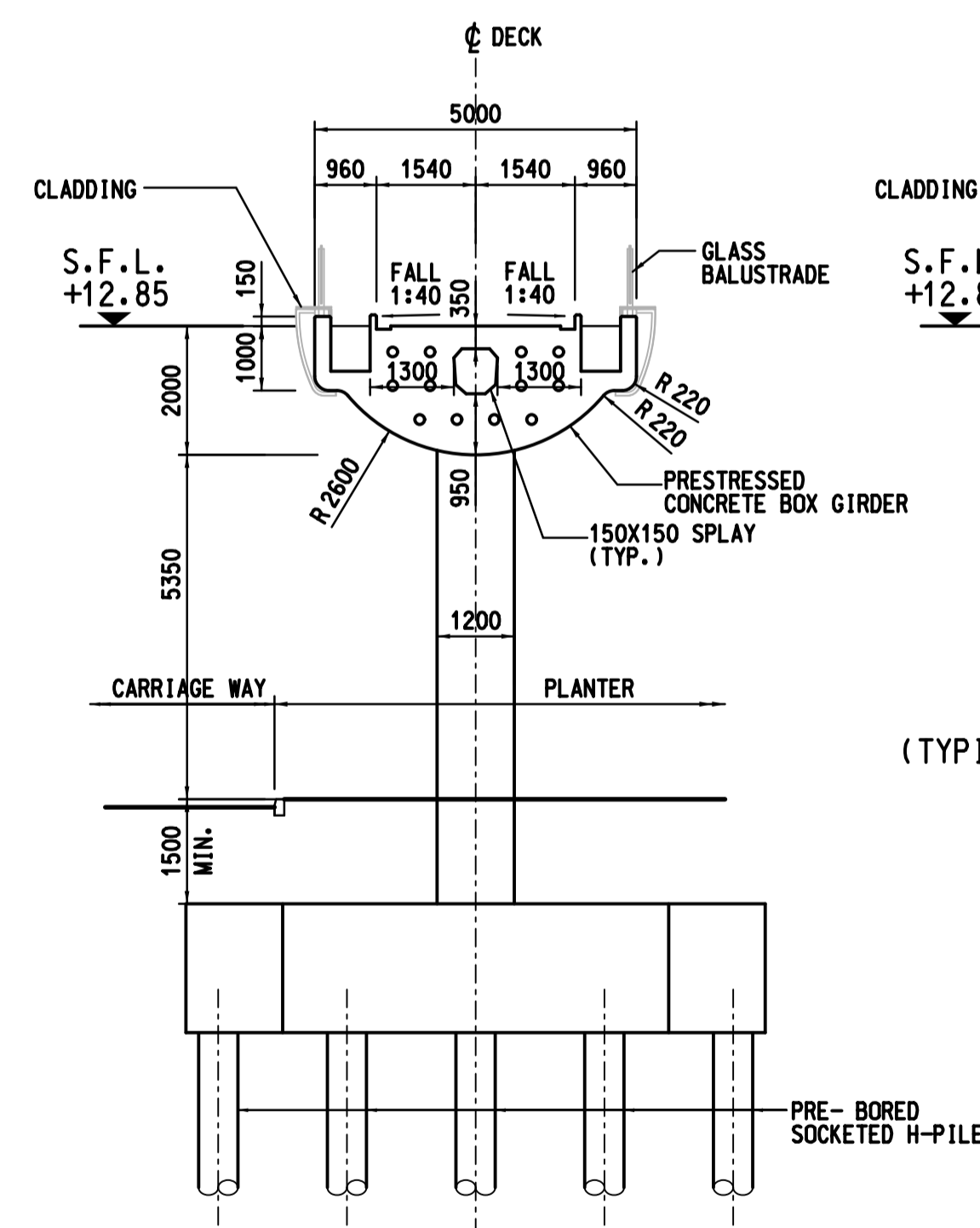
SECTION N-N
(TYPICAL SECTION FOR NORTHERN CRESCENT WALKWAY)



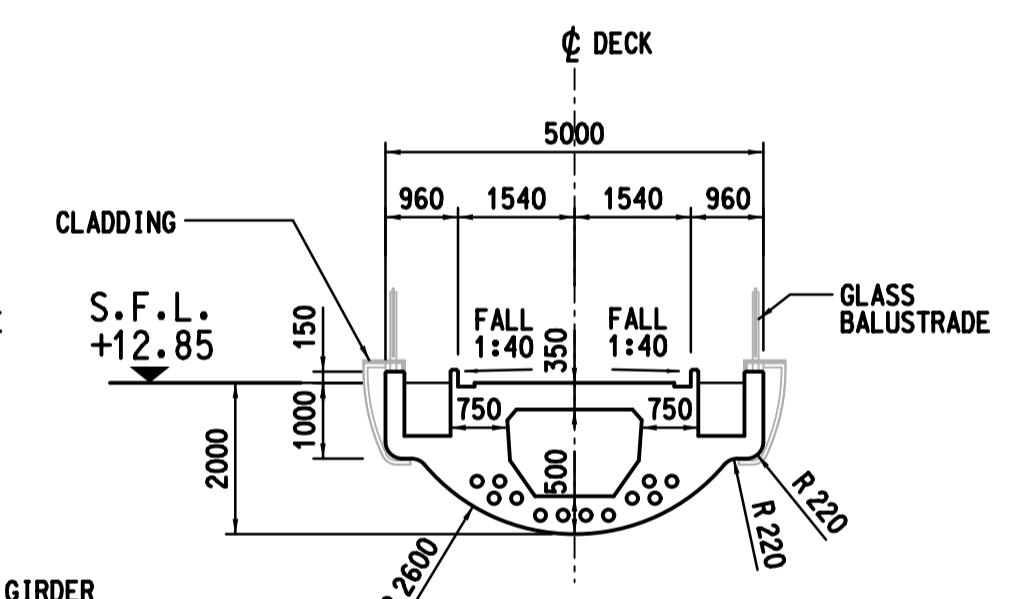
SECTION P-P
(TYPICAL SECTION FOR NORTHERN CRESCENT WALKWAY)



SECTION L-L



SECTION U-U
(TYPICAL SECTION FOR SOUTHERN CRESCENT WALKWAY)



SECTION V-V
(TYPICAL SECTION FOR SOUTHERN CRESCENT WALKWAY)

NOTES

1. ALL DIMENSIONS SHOWN ARE IN MILLIMETRE, UNLESS OTHERWISE STATED.
2. FOR NOTES AND LEGEND REFER TO DRAWING NO. KL201401/ST/AB/7401.
3. FOR ROAD AND STREET FURNITURE, PLEASE REFER TO DRAWING NO. KL201401/CV/AB/3051 TO 3056.
4. FOR CLADDING, BALUSTRADE AND ARCHITECTURAL FEATURES, PLEASE REFER TO SEPARATE DRAWINGS.
5. ALL PILE CAP TOP LEVEL SHALL BE AT LEAST 1500mm BELOW EXISTING GROUND LEVEL OR ROAD LEVEL.
6. RECESS FOR FUNCTIONAL LIGHTING SHALL BE 400mm(H) x 250mm(W) EXCEPT AT GRID LINE 10 TO 11 SHALL BE 250mm(W)x250mm(H).

Z1	FIRST ISSUE	AL	04/20
Rev	Description	By	Date

Supervising Officer



Contractor



Designer



Architect Landscape Architect



Contract title
 CONTRACT NO. KL/2014/01
 KAI TAK DEVELOPMENT - STAGE 2
 INFRASTRUCTURE WORKS FOR
 DEVELOPMENTS AT THE
 SOUTHERN PART OF THE FORMER RUNWAY

Drawing title
**SUPERSTRUCTURE -
 CROSS SECTION**

SHEET 10 OF 11

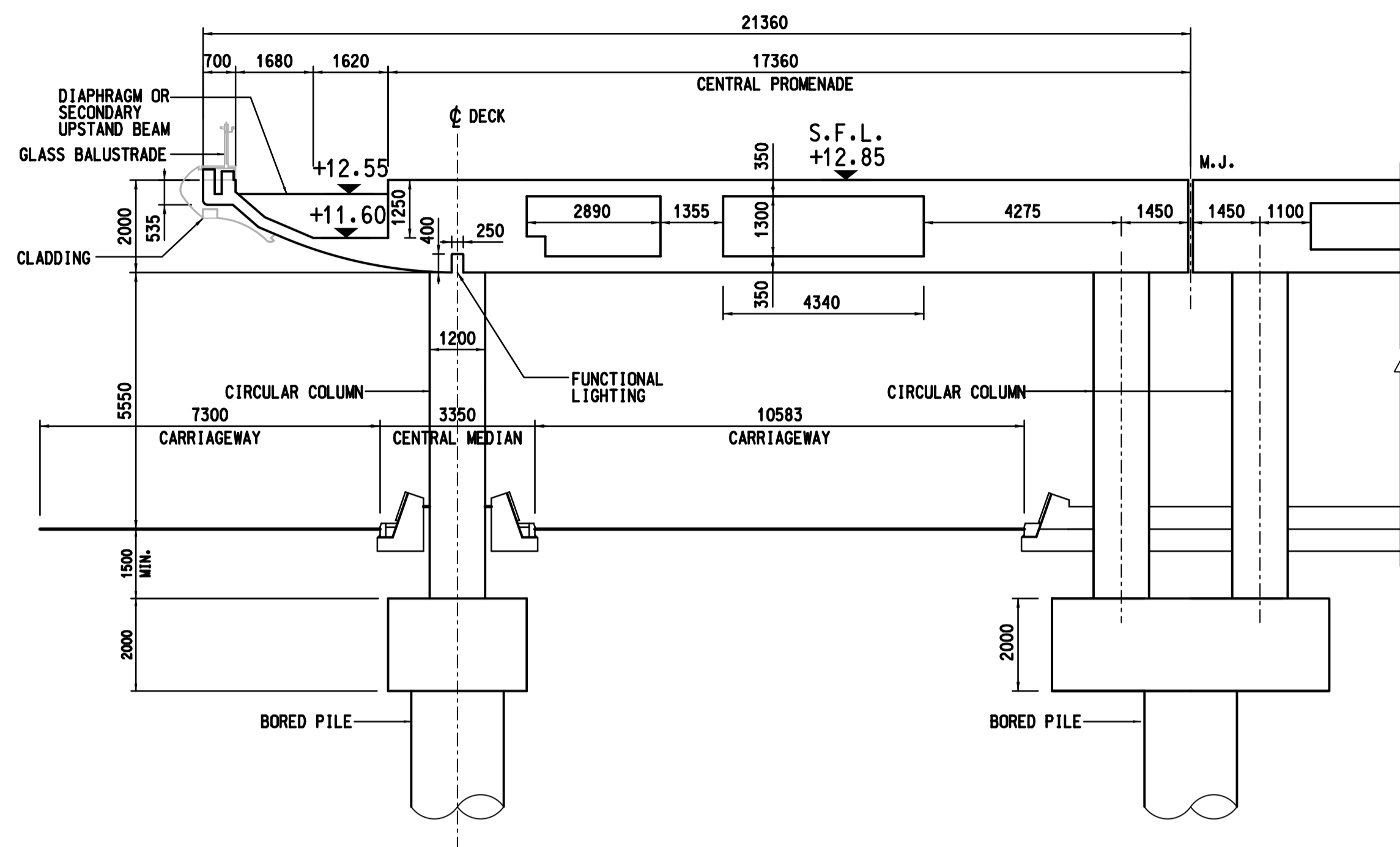
Drawing no. KL201401/ST/AB/7020	Rev. Z1		
Drawn RL	Date - FEB 2017	Checked LYL	Approved AI
Scale 1:100 (A1)	Status AS BUILT DRAWING		

© COPYRIGHT RESERVED

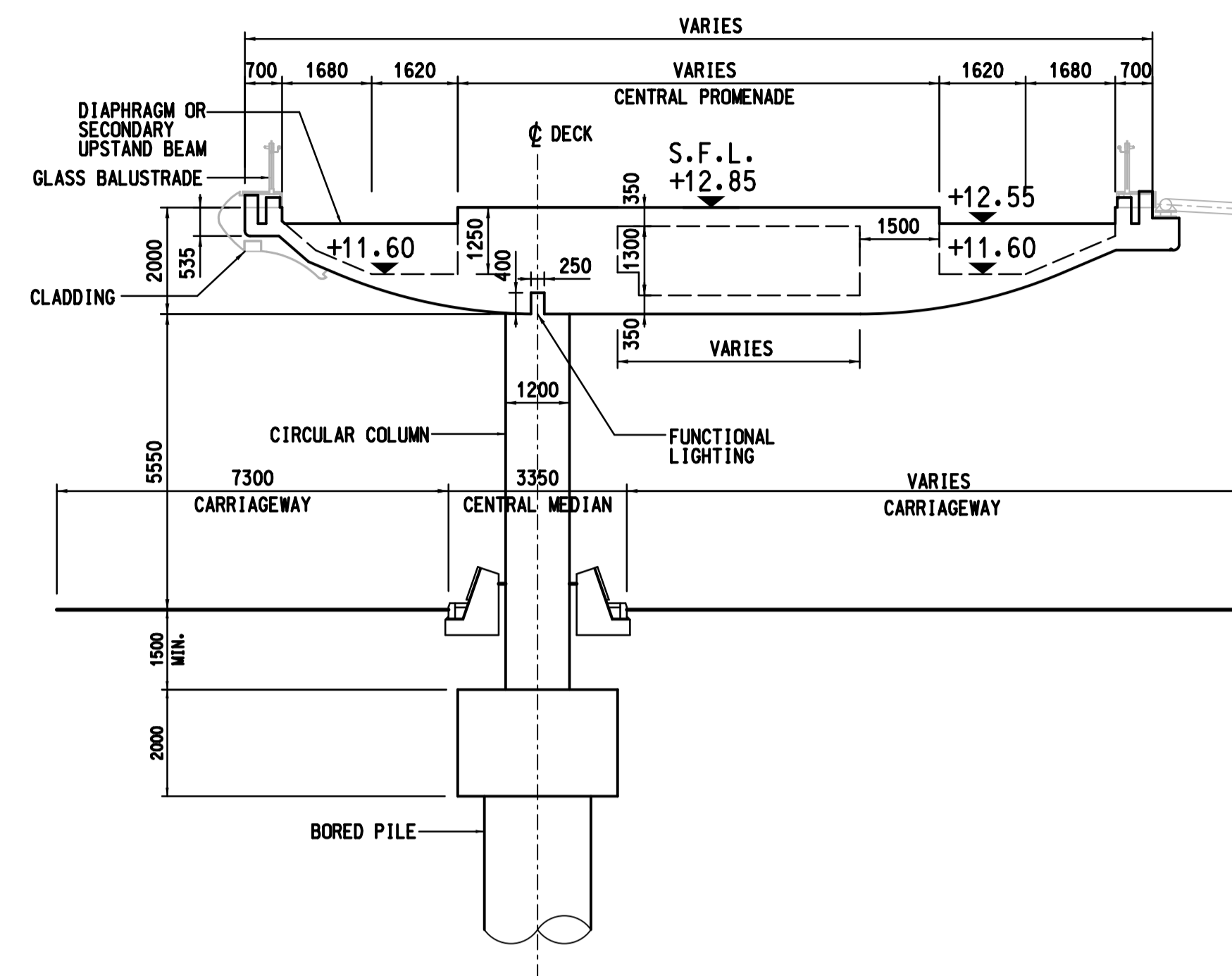


NOTES

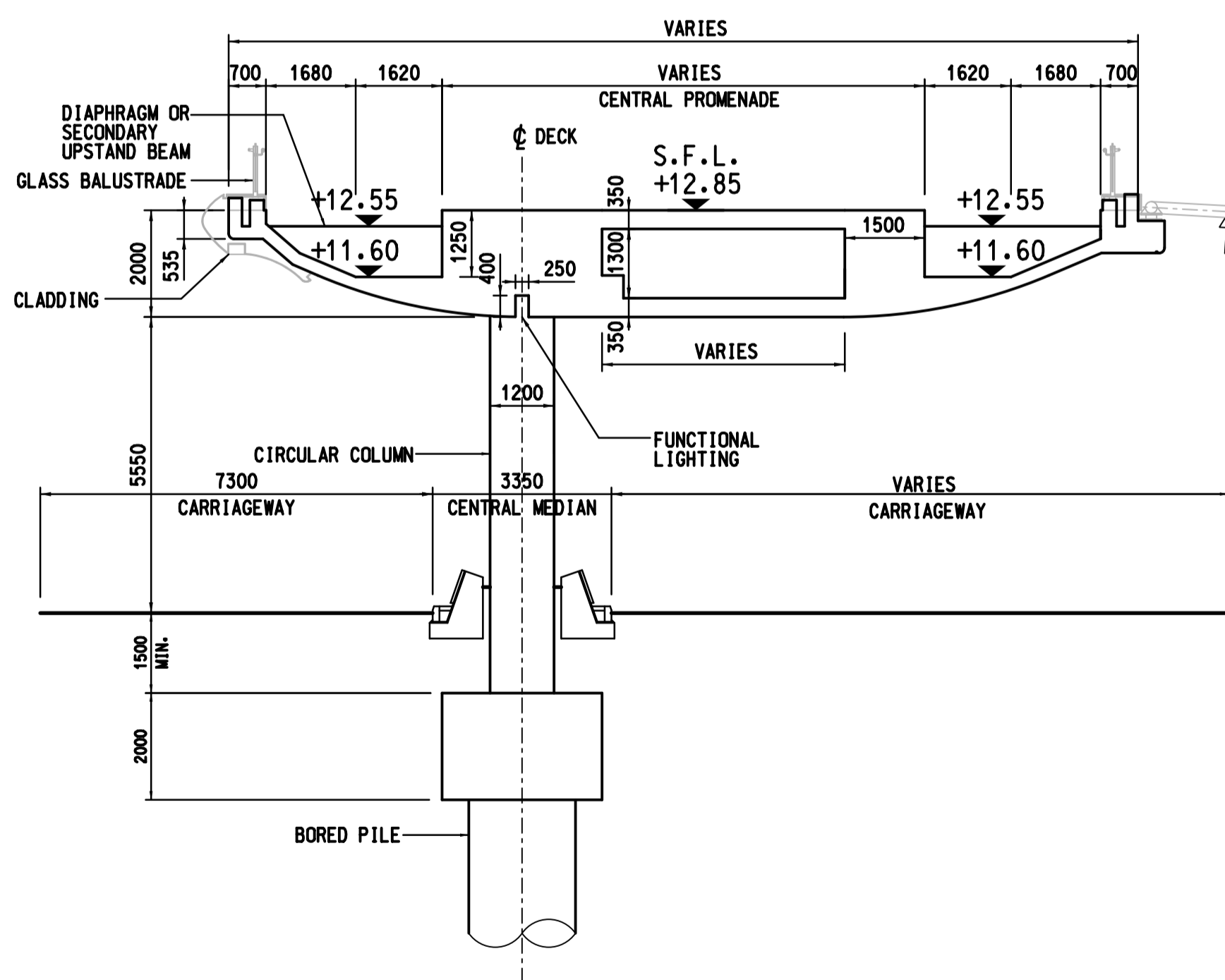
1. ALL DIMENSIONS SHOWN ARE IN MILLIMETRE. UNLESS OTHERWISE STATED.
2. FOR NOTES AND LEGEND REFER TO DRAWING NO. KL201401/ST/AB/7401.
3. FOR ROAD AND STREET FURNITURE, PLEASE REFER TO DRAWING NO. KL201401/CV/AB/3051 TO 3056.
4. FOR CLADDING, BALUSTRADE AND ARCHITECTURAL FEATURES, PLEASE REFER TO SEPARATE DRAWINGS.
5. ALL PILE CAP TOP LEVEL SHALL BE AT LEAST 1500mm BELOW EXISTING GROUND LEVEL OR ROAD LEVEL.



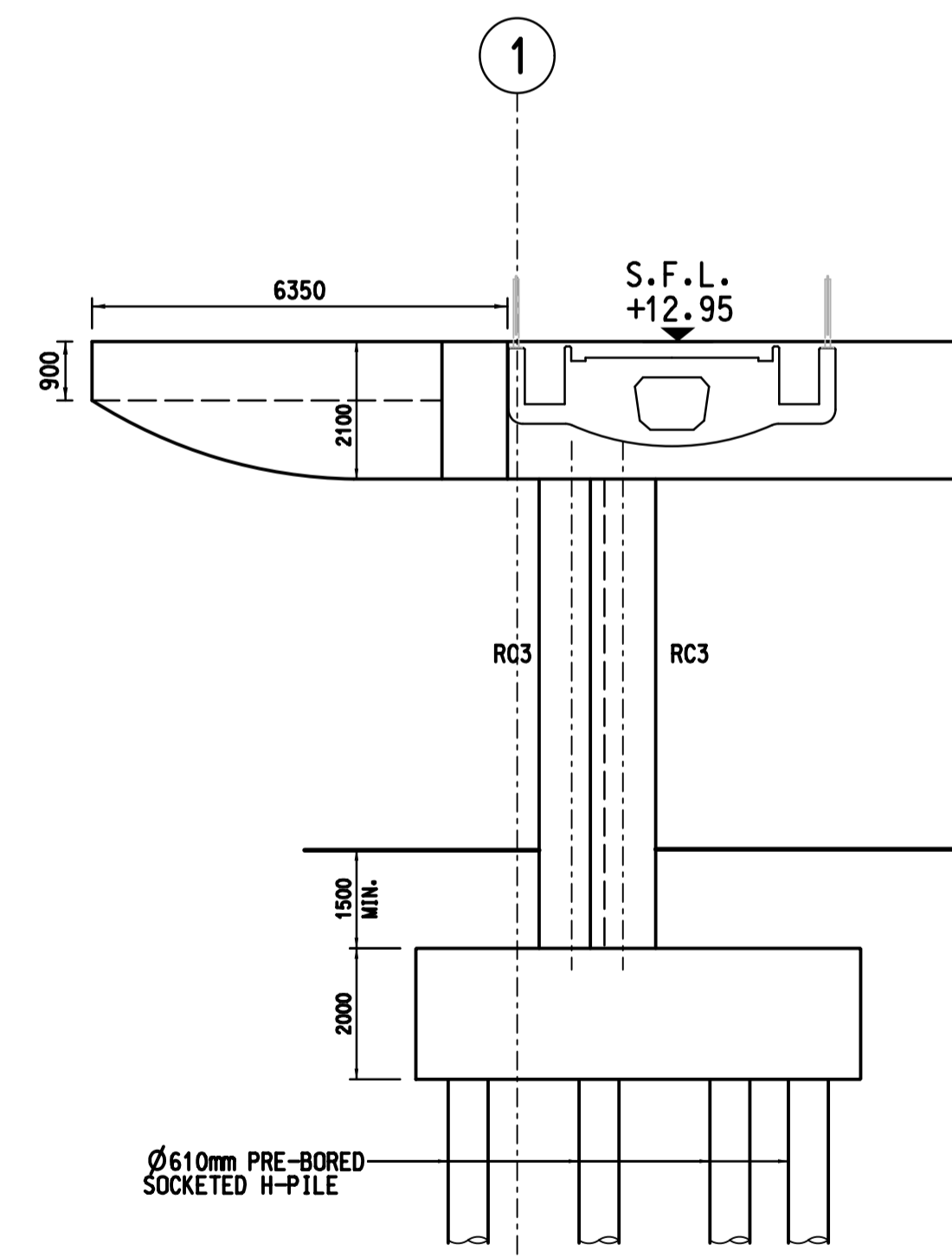
SECTION S-S
7053



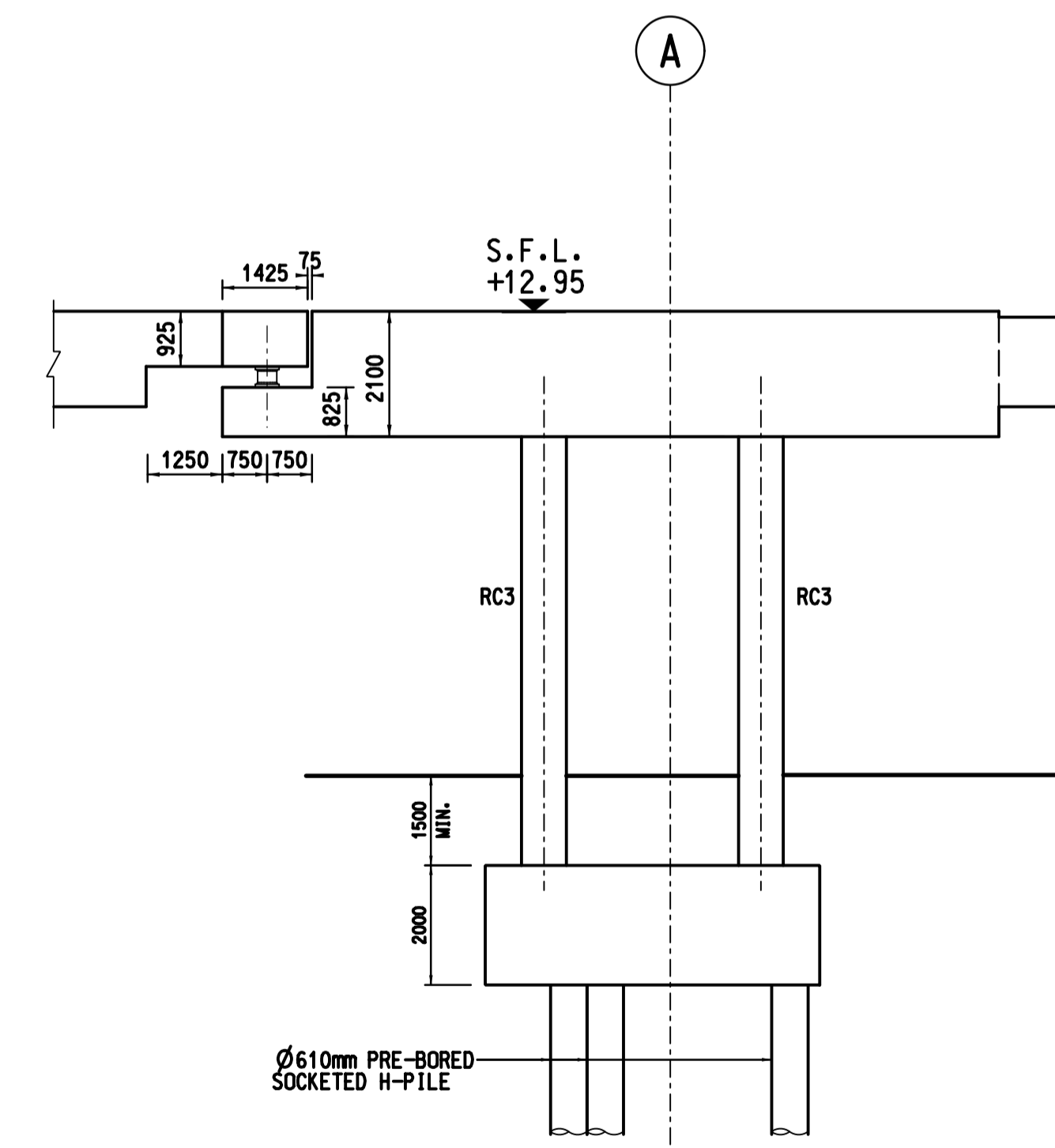
SECTION X-X
7053



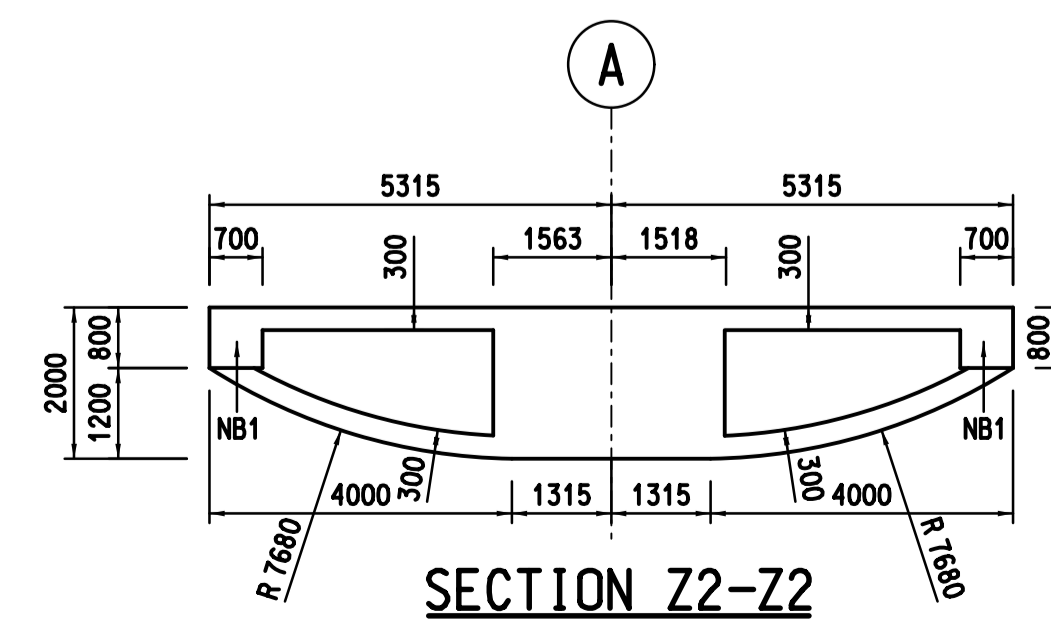
SECTION Y-Y
7053



SECTION Z-Z
7051



SECTION Z1-Z1
7051



SECTION Z2-Z2

Z1	FIRST ISSUE	AL	04/20
Rev	Description	By	Date

Supervising Officer



Contractor



Designer



Architect Landscape Architect



Contract title
 CONTRACT NO. KL/2014/01
 KAI TAK DEVELOPMENT - STAGE 2
 INFRASTRUCTURE WORKS FOR
 DEVELOPMENTS AT THE
 SOUTHERN PART OF THE FORMER RUNWAY

Drawing title
**SUPERSTRUCTURE -
 CROSS SECTION**

SHEET 11 OF 11

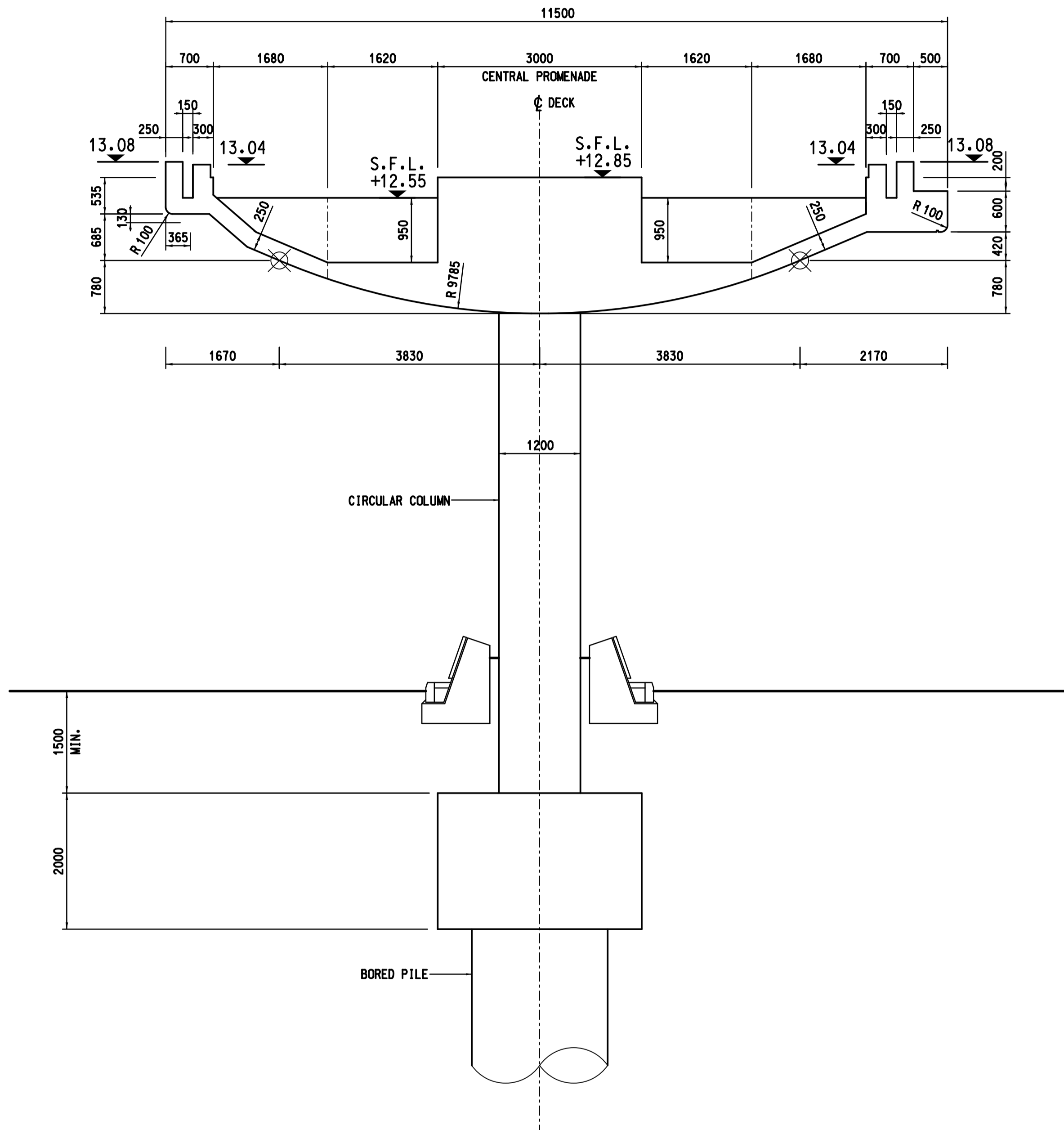
Drawing no.	KL201401/ST/AB/7021	Rev.	Z1
Drawn	RL	Date	-
Checked	LYL	Approved	A1
Scale	1:100 (A1)	Status	AS BUILT DRAWING

© COPYRIGHT RESERVED

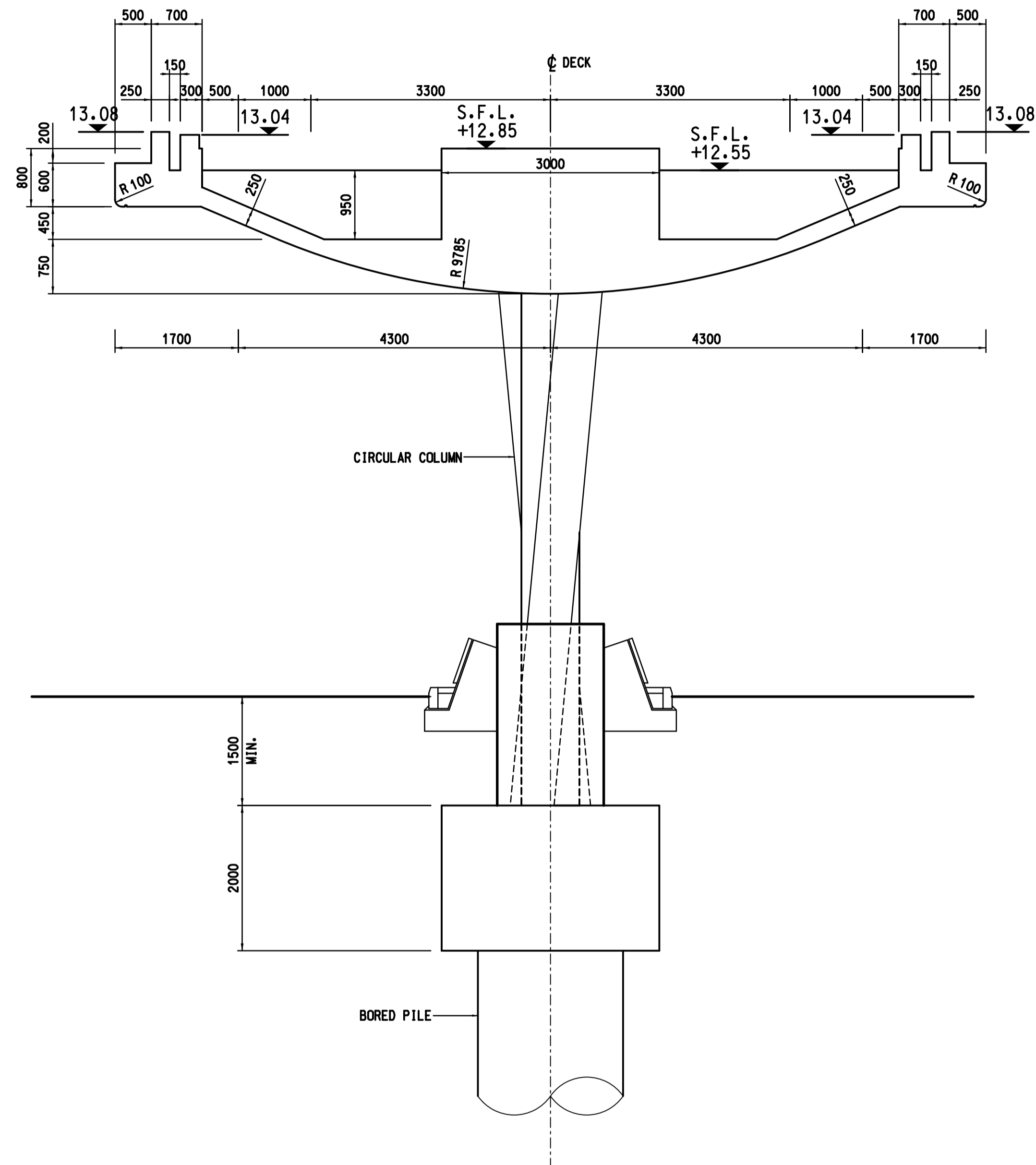


NOTES

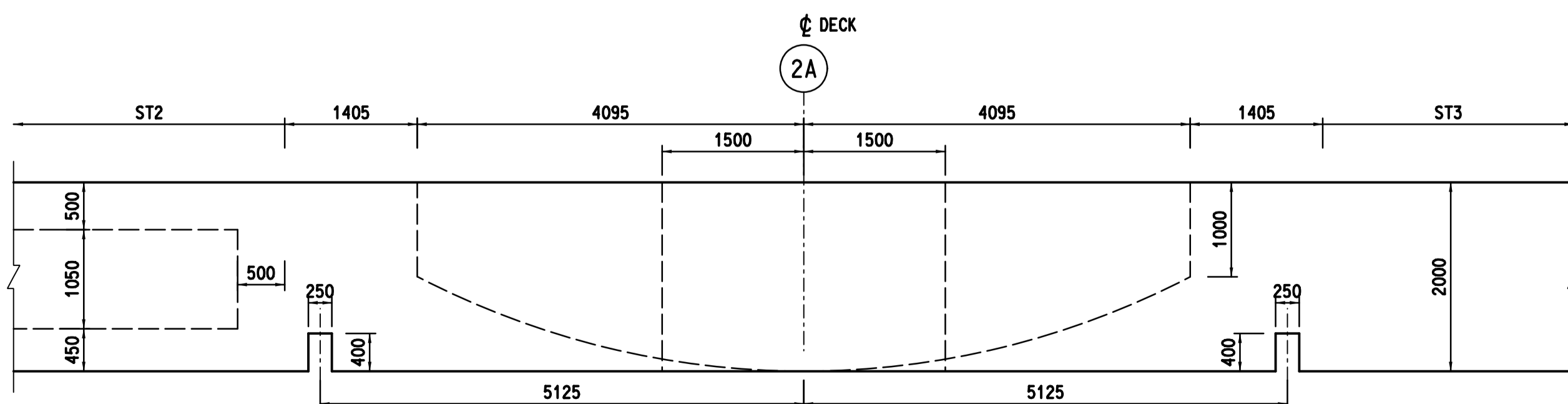
1. ALL DIMENSIONS SHOWN ARE IN MILLIMETRE. UNLESS OTHERWISE STATED.
2. FOR NOTES AND LEGEND REFER TO DRAWING NO. KL201401/ST/AB/7401.
3. FOR ROAD AND STREET FURNITURE, PLEASE REFER TO DRAWING NO. KL201401/CV/AB/3051 TO 3056.
4. FOR CLADDING, BALUSTRADE AND ARCHITECTURAL FEATURES, PLEASE REFER TO SEPARATE DRAWINGS.
5. ALL PILE CAP TOP LEVEL SHALL BE AT LEAST 1500mm BELOW EXISTING GROUND LEVEL OR ROAD LEVEL.



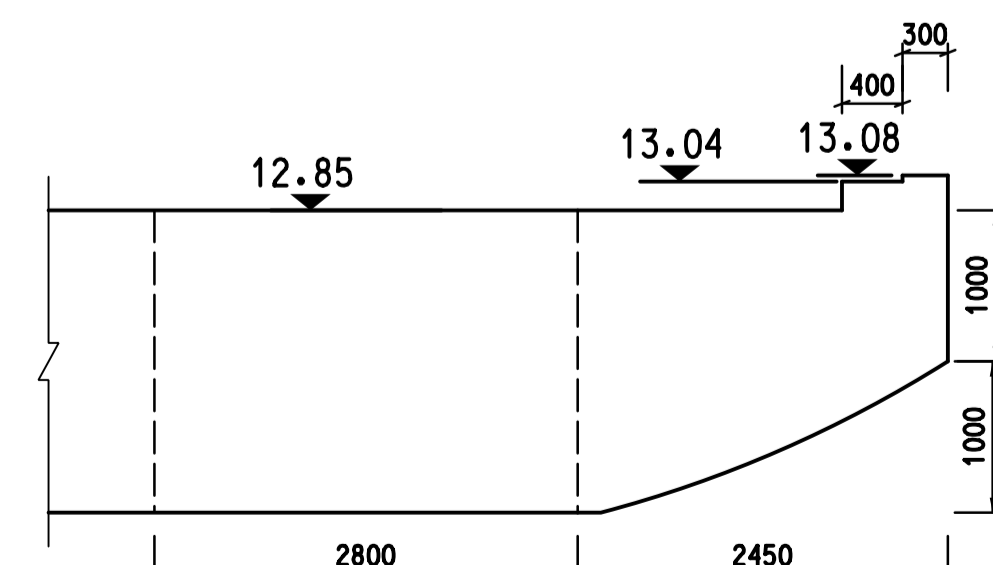
SECTION T2-T2
(SECTION T1 SIMILAR BUT HANDED)



SECTION T4-T4
(SECTION T3 SIMILAR)



SECTION T5-T5
SCALE 1:50 (A1)



SECTION T6-T6
SCALE 1:50 (A1)

Z1	FIRST ISSUE	AI	03/20
Rev	Description	By	Date

Supervising Officer

AECOM

Contractor



Designer



Architect Landscape Architect



Contract title
CONTRACT NO. KL/2014/01
KAI TAK DEVELOPMENT - STAGE 2
INFRASTRUCTURE WORKS FOR
DEVELOPMENTS AT THE
SOUTHERN PART OF THE FORMER RUNWAY

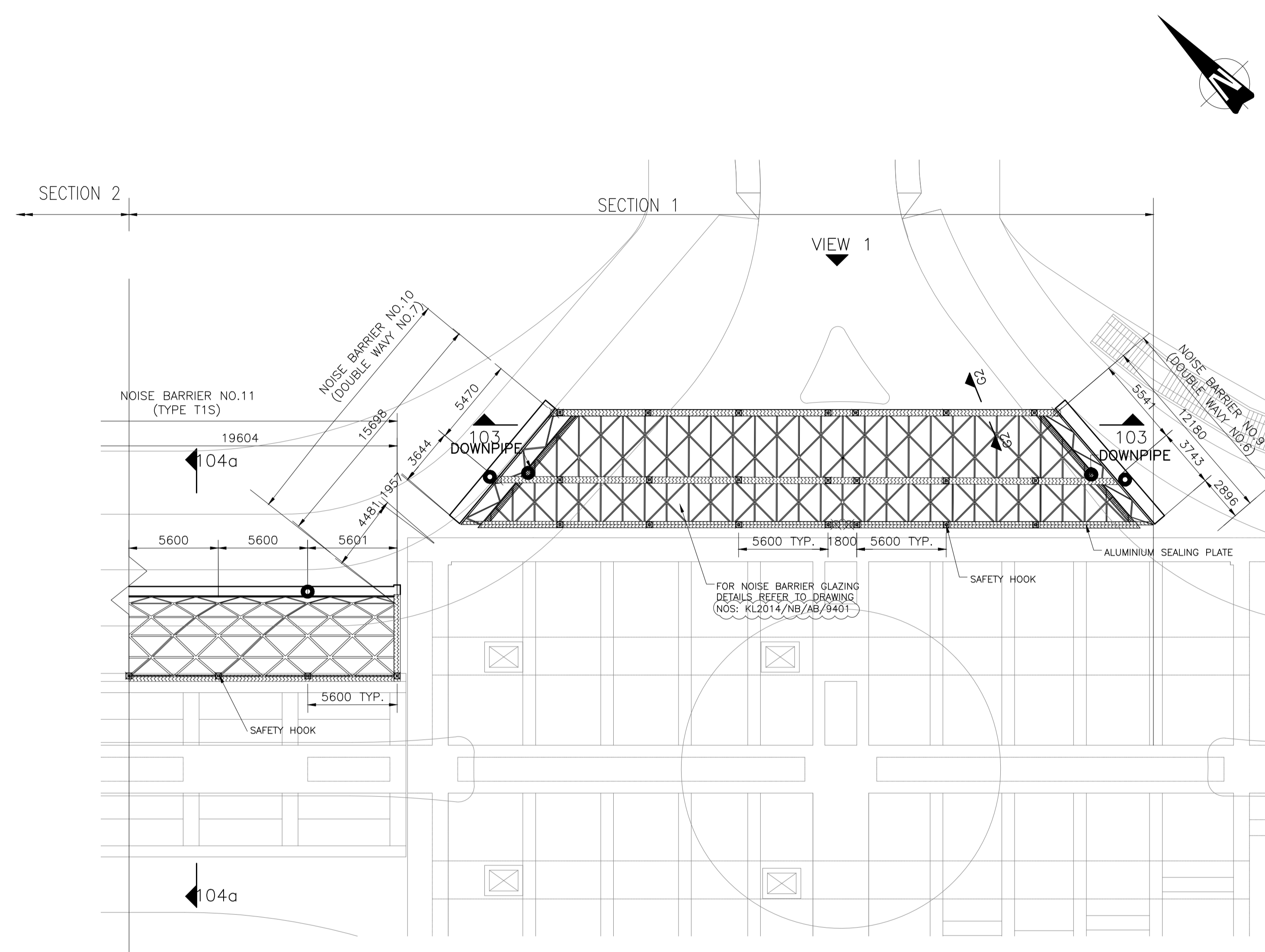
Drawing title
**SUPERSTRUCTURE -
CROSS SECTION**

SHEET 12 OF 12

Drawing no. KL201401/ST/AB/7022	Rev. Z1		
Drawn RL	Date - FEB 2017	Checked LYL	Approved AI
Scale 1:50 (A1)	Status AS BUILT DRAWING		

© COPYRIGHT RESERVED





PART PLAN OF NOISE BARRIER
(SECTION 1)
1:200

NOTES :
1. ALL STEEL MEMBERS ARE 193.7 x 10 CHS IN GARDE S355J0 TO BS EN 10025:1993 UNLESS OTHERWISE SPECIFIED.

- LEGEND :**
- ▤ DRAINAGE CUTTER
 - LOCATION OF DOWNPIPE
 - ▨ ALUMINIUM SEALING PLATE
 - ☒ SAFETY HOOK

Rev	Description	By	Date
C	AS-BUILT WITH MINOR AMENDMENT	AWL	03/20
B	AS-BUILT WITH MINOR AMENDMENT	AWL	10/19
A	AS-BUILT WITH MINOR AMENDMENT	AWL	07/19
-	AS-BUILT DRAWING	AWL	06/19

Supervising Officer



Contractor

Designer

Architect Landscape Architect

Noise Barrier Works Sub-Contractor

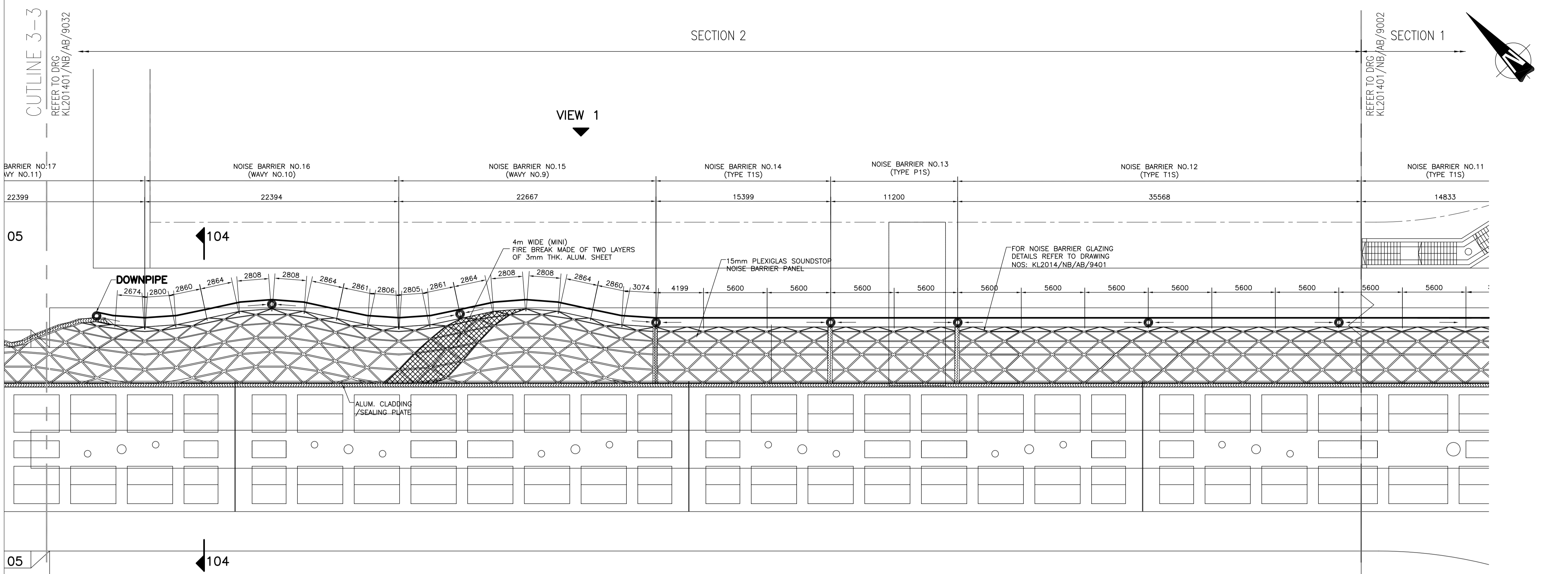
Contract title
CONTRACT NO. KL/2014/01
KAI TAK DEVELOPMENT - STAGE 2
INFRASTRUCTURE WORKS FOR
DEVELOPMENT AT THE SOUTHERN PART
OF FORMER RUNWAY

Drawing title

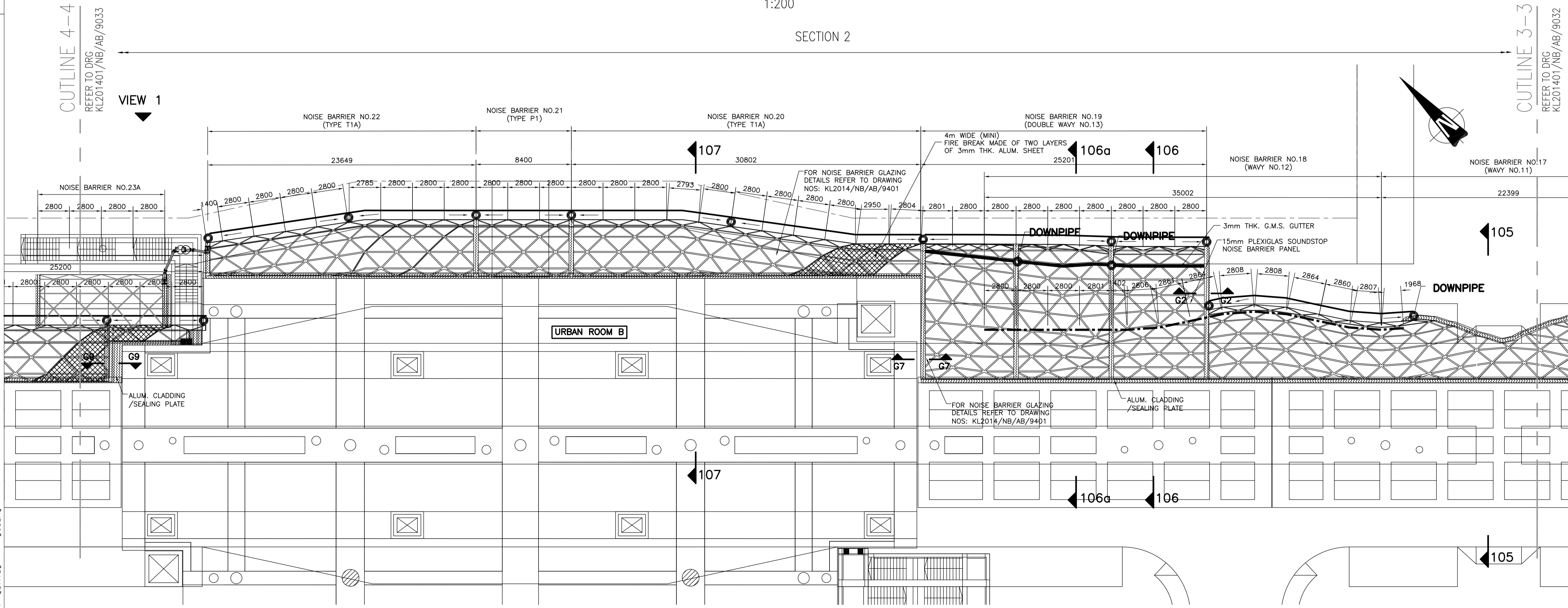
GENERAL ARRANGEMENT-PLAN,
ELEVATION AND SECTIONS
(FOR SECTION 1)
(SHEET 1 OF 3)

Drawing no.	KL201401/NB/AB/9002	Rev.	C
Drawn	AL	Date	2020
Checked	KM	Approved	YC
Scale	AS SHOWN	Status	AS-BUILT DRAWING

© COPYRIGHT RESERVED



PART PLAN OF NOISE BARRIER (SECTION 2)
1:200



PART PLAN OF NOISE BARRIER (SECTION 2)
1:200

NOTES :
1. ALL STEEL MEMBERS ARE 193.7 x 10 CHS IN GARDE S355J0 TO BS EN 10025:1993 UNLESS OTHERWISE SPECIFIED.

- LEGEND :**
- ▬ DRAINAGE GUTTER
 - LOCATION OF DOWNPIPE
 - ▬ ALUMINIUM SEALING PLATE

Z	AS-BUILT DRAWING	AL	01/20
Rev	Description	By	Date

Supervising Officer



Contract title
CONTRACT NO. KL/2014/01
KAI TAK DEVELOPMENT - STAGE 2
INFRASTRUCTURE WORKS FOR
DEVELOPMENT AT THE SOUTHERN PART
OF FORMER RUNWAY

Drawing title
**GENERAL ARRANGEMENT-PLAN,
ELEVATION AND SECTIONS
(FOR SECTION 2)**

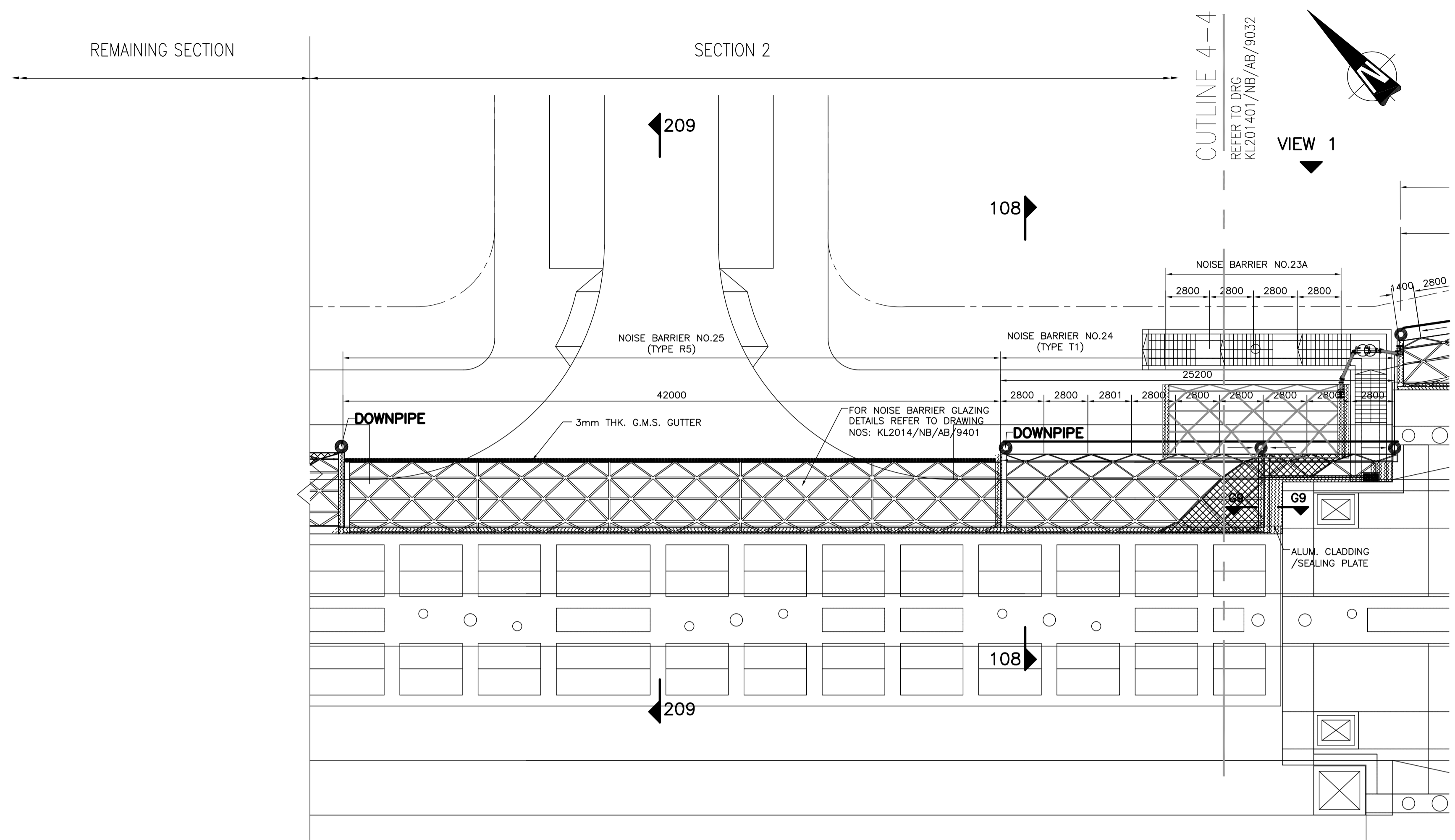
(SHEET 1 OF 6)

Drawn	AL	Date	2020/01/14	Checked	KM	Approved	YC	Rev.	Z
Scale	1:200 (A1)			Status	AS BUILT DRAWING				

© COPYRIGHT RESERVED



Plot File by : \$DATE\$ \$USERS\$ \$FILES\$



PART PLAN OF NOISE BARRIER
(SECTION 2)
1:200

NOTES :
1. ALL STEEL MEMBERS ARE 193.7 x 10 CHS IN GARDE S355J0 TO BS EN 10025:1993 UNLESS OTHERWISE SPECIFIED.

LEGEND :

Z	AS-BUILT DRAWING	AL	01/20
Rev	Description	By	Date

Supervising Officer
AECOM

Contractor
 大陸工程·捷華建築聯營
CEC · CCC JOINT VENTURE

Designer
wsp

Architect Landscape Architect
 領建建築師事務所有限公司
ADI

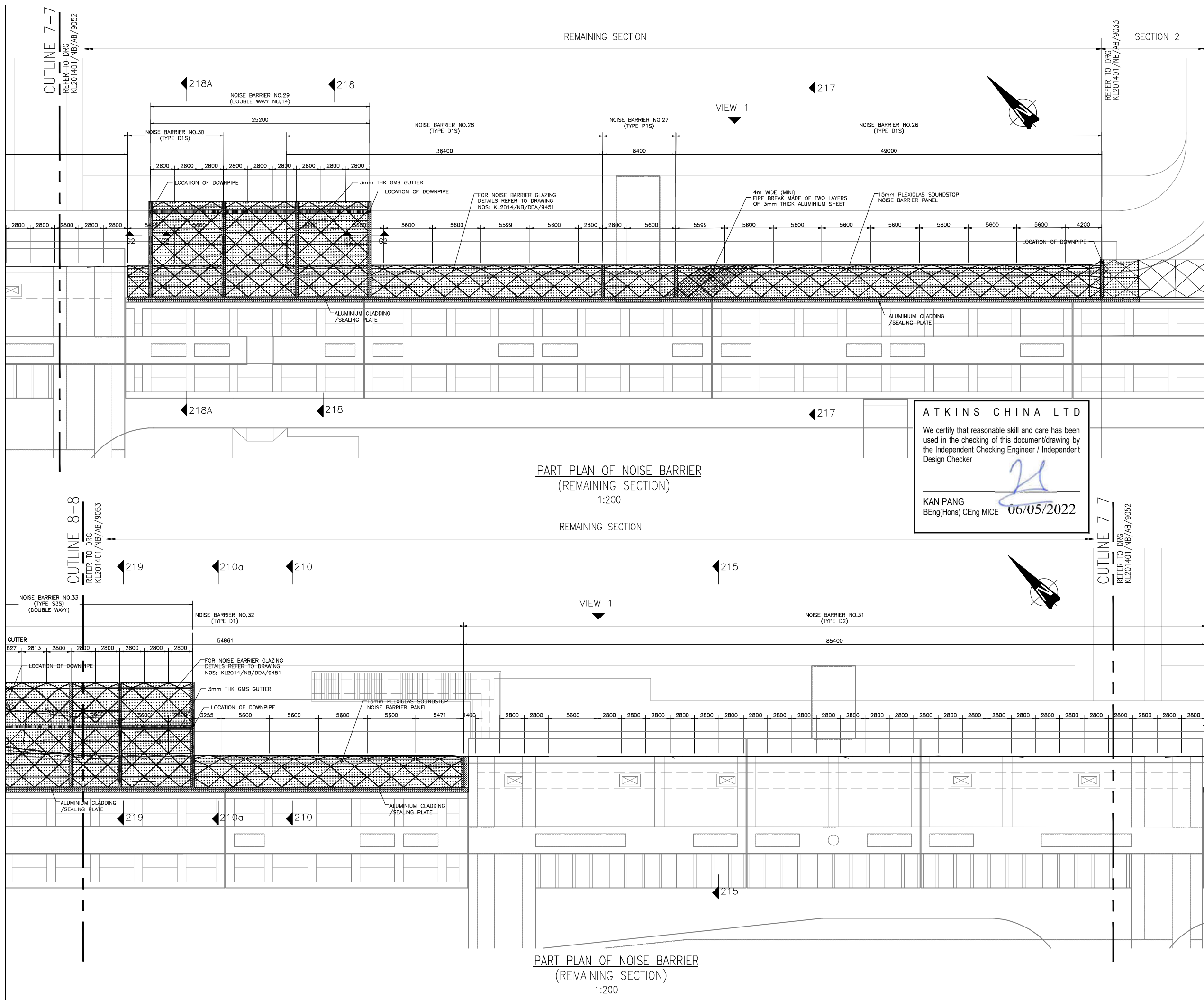
Contract title
CONTRACT NO. KL/2014/01
KAI TAK DEVELOPMENT - STAGE 2
INFRASTRUCTURE WORKS FOR
DEVELOPMENT AT THE SOUTHERN PART
OF FORMER RUNWAY

Drawing title
**GENERAL ARRANGEMENT –
PLAN , ELEVATION AND
SECTIONS (FOR SECTION 2)**

(SHEET 2 OF 6)

Drawing no. KL201401/NB/AB/9033		Rev. Z
Drawn AL	Date 2020/01/14	Checked KM
Scale 1:200 (A1)	Status AS BUILT DRAWING	Approved YC

© COPYRIGHT RESERVED
 土木工程拓展署
CIVIL ENGINEERING AND DEVELOPMENT
DEPARTMENT
九龍拓展處
KOWLOON DEVELOPMENT OFFICE



NOTES :
 1. ALL STEEL MEMBERS SHALL BE 193.7 x 10 CHS IN GRADE S355J0 TO BS EN 10025:1993 UNLESS OTHERWISE SPECIFIED.

LEGEND :
 ||||| DRAINAGE GUTTER
 ○ LOCATION OF DOWNPIPE
 ||||| ALUMINIUM SEALING PLATE

CEC-CCC JV
 Constructed in Accordance with the Drawings
 MAX CHAN
 SITE AGENT

WSP ASIA LTD
 We certify that the design of the works shown in this document/drawing complies with the Contract requirements.
 EMERIC WAN
 BEng(Hons) MSc(Cong) MEng(Struct) MICE(Struct)

ATKINS CHINA LTD
 We certify that reasonable skill and care has been used in the checking of this document/drawing by the Independent Checking Engineer / Independent Design Checker
 KAN PANG
 BEng(Hons) CEng MICE 06/05/2022

AS-BUILT DRAWING	AWL	02/20
Rev	Description	By Date

Supervising Officer
AECOM

Contractor
CCC 大陸工程·捷康建築聯盟
 CEC - CCC JOINT VENTURE

Designer
WSP | **PARSONS BRINCKERHOFF**

Architect
A.LEAD architects ltd. | **ADI**
 廣達建築師事務所有限公司

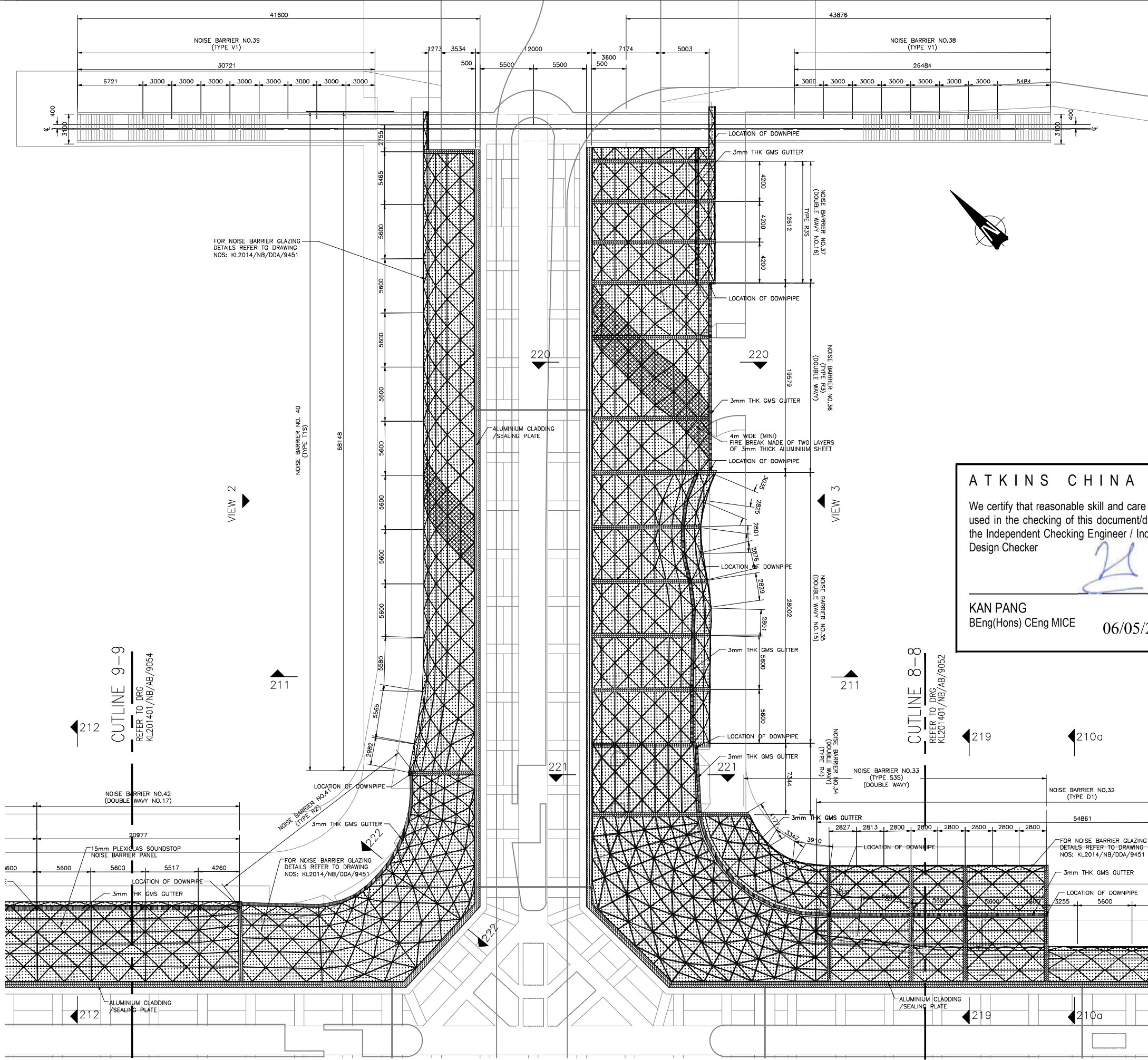
Noise Barrier Works Sub-Contractor
ACTIVE WAY LTD
 愛達威有限公司

Contract title
 CONTRACT NO. KL/2014/01
 KAI TAK DEVELOPMENT - STAGE 2
 INFRASTRUCTURE WORKS FOR
 DEVELOPMENT AT THE SOUTHERN PART
 OF FORMER RUNWAY

Drawing title
 GENERAL ARRANGEMENT-PLAN,
 ELEVATION AND SECTIONS
 (FOR REMAINING SECTION)
 (SHEET 1 OF 11)

Drawing no.	KL201401/NB/AB/9052	Rev.	-
Drawn	AL	Date	2020
Checked	KM	Approved	YC
Scale	AS SHOWN	Status	AS-BUILT DRAWING

© COPYRIGHT RESERVED
CEDD
 土木工程發展署
 CIVIL ENGINEERING AND DEVELOPMENT
 DEPARTMENT
 九龍拓展處
 KOWLOON DEVELOPMENT OFFICE



NOTES :
 1. ALL STEEL MEMBERS SHALL BE 193.7 x 10 CHS IN GARDE S355J0 TO BS EN 10025:1993 UNLESS OTHERWISE SPECIFIED.

LEGEND :
 [Symbol] DRAINAGE GUTTER
 [Symbol] LOCATION OF DOWNPIPE
 [Symbol] ALUMINIUM SEALING PLATE

CEC-CCC JV
 Constructed in Accordance with the Drawings
 MAX CHAN
 SITE AGENT

WSP ASIA LTD
 We certify that the design of the works shown in this document/drawing complies with the Contract requirements.
 EMERIC WAN
 (Stamp: Mr. Eric Chan MBE, M. Sc. (Civil), M. Sc. (Struct.))



ATKINS CHINA LTD
 We certify that reasonable skill and care has been used in the checking of this document/drawing by the Independent Checking Engineer / Independent Design Checker
 KAN PANG
 BEng(Hons) CEng MICE
 06/05/2022

AS-BUILT DRAWING	AWL	02/20
Rev	Description	By Date

Supervising Officer

AECOM

Contractor

CCC 大陸工程·捷康建築聯盟
 CEC - CCC JOINT VENTURE

Designer

WSP | **PARSONS BRINCKERHOFF**

Architect

A.LEAD architects Ltd.
 廣達建築師事務所有限公司

ADI

Noise Barrier Works Sub-Contractor

ACTIVE WAY LTD
 愛達威有限公司

Contract title
 CONTRACT NO. KL/2014/01
 KAI TAK DEVELOPMENT - STAGE 2
 INFRASTRUCTURE WORKS FOR
 DEVELOPMENT AT THE SOUTHERN PART
 OF FORMER RUNWAY

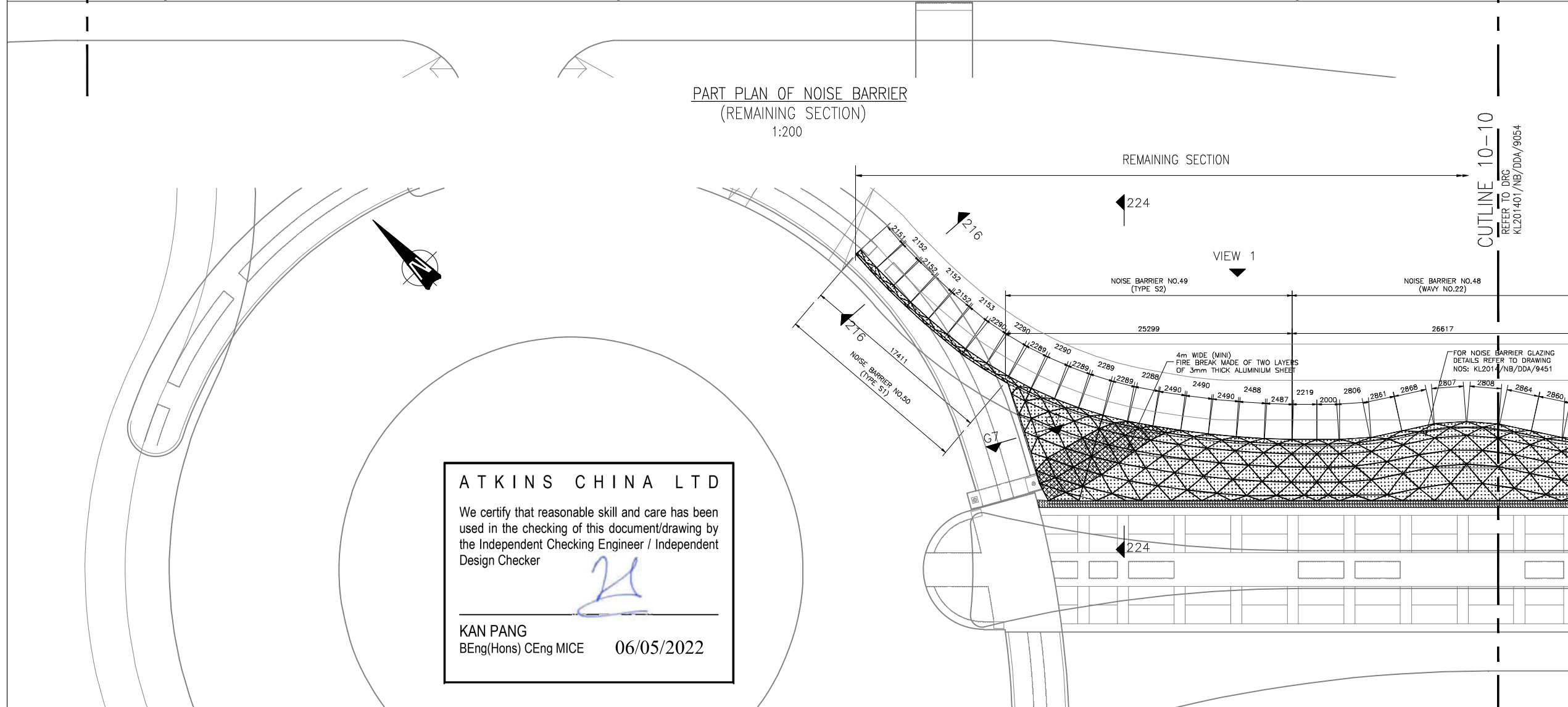
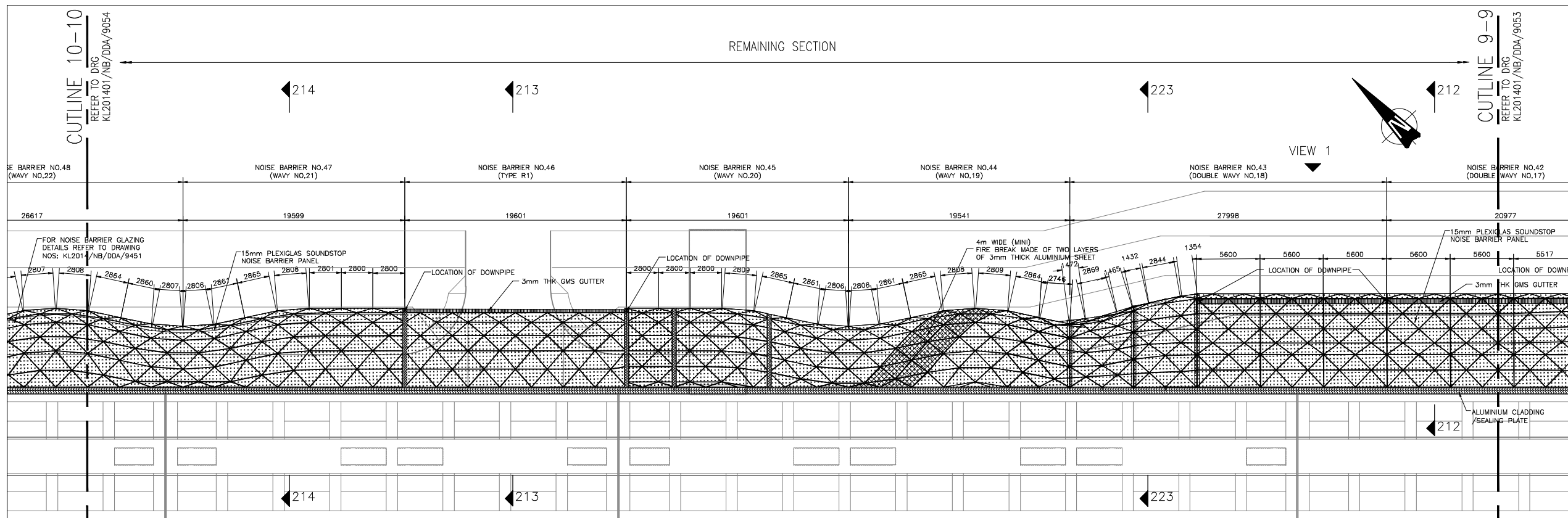
Drawing title
 GENERAL ARRANGEMENT-PLAN,
 ELEVATION AND SECTIONS
 (FOR REMAINING SECTION)
 (SHEET 2 OF 11)

Drawing no.	KL201401/NB/AB/9053	Rev.	-
Drawn	AL	Date	2020
Checked	KM	Approved	YC
Scale	AS SHOWN	Status	AS-BUILT DRAWING

© COPYRIGHT RESERVED

CEDD
 土木工程發展署
 CIVIL ENGINEERING AND DEVELOPMENT
 DEPARTMENT
 九龍發展處
 KOWLOON DEVELOPMENT OFFICE

PART PLAN OF NOISE BARRIER
 (REMAINING SECTION)
 1:200



ATKINS CHINA LTD

We certify that reasonable skill and care has been used in the checking of this document/drawing by the Independent Checking Engineer / Independent Design Checker

[Signature]

KAN PANG
BEng(Hons) CEng MICE 06/05/2022

NOTES :

- ALL STEEL MEMBERS SHALL BE 193.7 x 10 CHS IN GARDE S355J0 TO BS EN 10025:1993 UNLESS OTHERWISE SPECIFIED.

LEGEND :

- ▤ DRAINAGE GUTTER
- LOCATION OF DOWNPIPE
- ▨ ALUMINIUM SEALING PLATE

CEC-CCC JV
Constructed in Accordance with the Drawings

[Signature]
MAX CHAN
SITE AGENT

WSP ASIA LTD
We certify that the design of the works shown in this document/drawing complies with the Contract requirements.

[Signature]
EMERIC WAN
Chief Mgr. M&E (Civil) (Kowloon) S&C (Kowloon)

AS-BUILT DRAWING	AWL	02/20
Rev	Description	By Date
Supervising Officer		
AECOM		
Contractor		
	大陸工程·捷康建築聯盟 CEC - CCC JOINT VENTURE	
Designer		
	PARSONS BRINCKERHOFF	
Architect		
	Landscape Architect 	
Noise Barrier Works Sub-Contractor		
ACTIVE WAY LTD 愛達威有限公司		
Contract title		
CONTRACT NO. KL/2014/01 KAI TAK DEVELOPMENT - STAGE 2 INFRASTRUCTURE WORKS FOR DEVELOPMENT AT THE SOUTHERN PART OF FORMER RUNWAY		
Drawing title		
GENERAL ARRANGEMENT-PLAN, ELEVATION AND SECTIONS (FOR REMAINING SECTION) (SHEET 3 OF 11)		
Drawing no.	KL201401/NB/AB/9054	Rev. -
Drawn	AL	Date 2020
Checked	KM	Approved YC
Scale	AS SHOWN	Status AS-BUILT DRAWING




© COPYRIGHT RESERVED

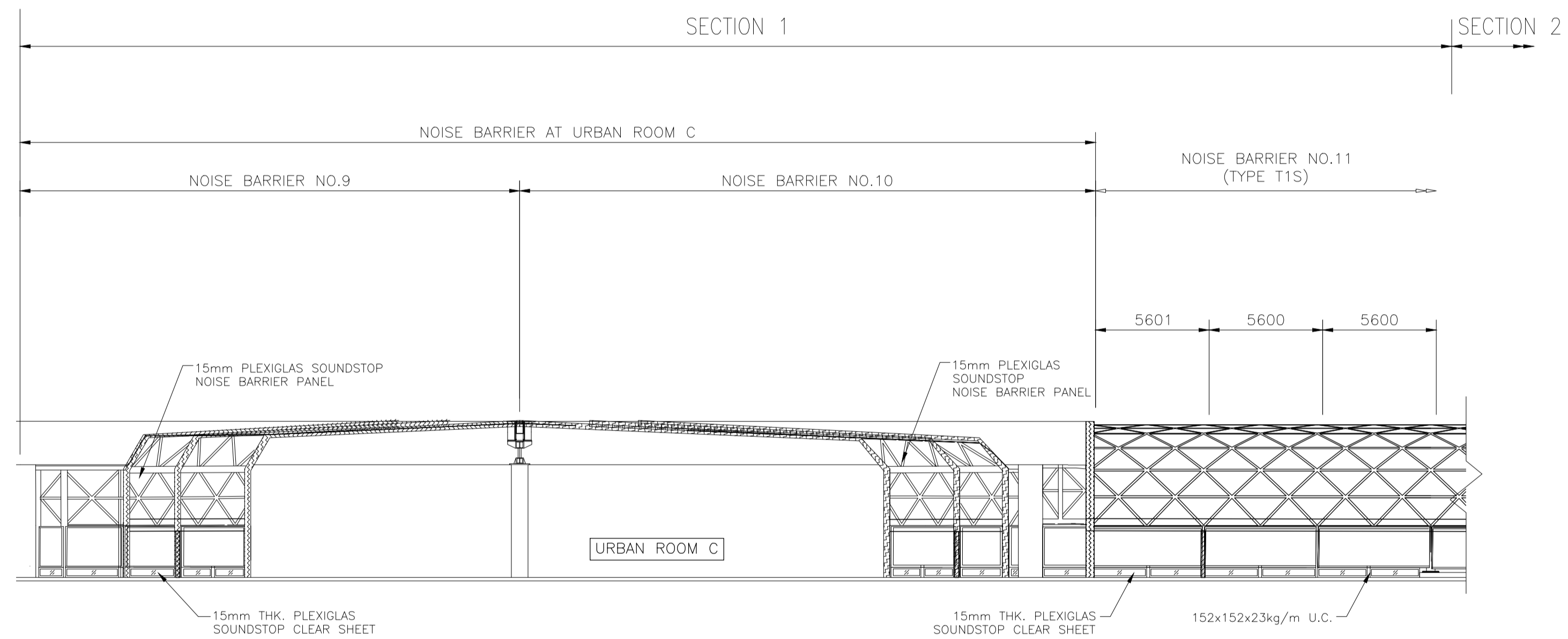
土木工務發展署
CIVIL ENGINEERING AND DEVELOPMENT
DEPARTMENT
九龍拓展處
KOWLOON DEVELOPMENT OFFICE

NOTES :

1. ALL STEEL MEMBERS ARE 193.7 x 10 CHS IN GARDE S355J0 TO BS EN 10025:1993 UNLESS OTHERWISE SPECIFIED.

LEGEND :

-  DRAINAGE GUTTER
-  LOCATION OF DOWNPIPE
-  ALUMINIUM SEALING PLATE



VIEW 1
(SECTION 1)
1:200

A	AS-BUILT WITH MINOR AMENDMENT	AWL	07/19
-	AS-BUILT DRAWING	AWL	06/19
Rev	Description	By	Date

Supervising Officer
AECOM

Contractor
CCC 大陸工程·捷卓建築聯營
GEG - CCC JOINT VENTURE

Designer
WSP | PARSONS BRINCKERHOFF

Architect Landscape Architect
A.LEAD architects ltd. 領建建築師事務所有限公司
ADI

Noise Barrier Works Sub-Contractor
ACTIVE WAY LTD 愛達威有限公司 **AW**

Contract title
CONTRACT NO. KL/2014/01
KAI TAK DEVELOPMENT - STAGE 2
INFRASTRUCTURE WORKS FOR
DEVELOPMENT AT THE SOUTHERN PART
OF FORMER RUNWAY

Drawing title
GENERAL ARRANGEMENT-PLAN,
ELEVATION AND SECTIONS
(FOR SECTION 1)
(SHEET 2 OF 3)

Drawing no.	KL201401/NB/AB/9003	Rev.	A
Drawn	AL	Date	2019
Checked	KM	Approved	YC
Scale	AS SHOWN	Status	AS-BUILT DRAWING

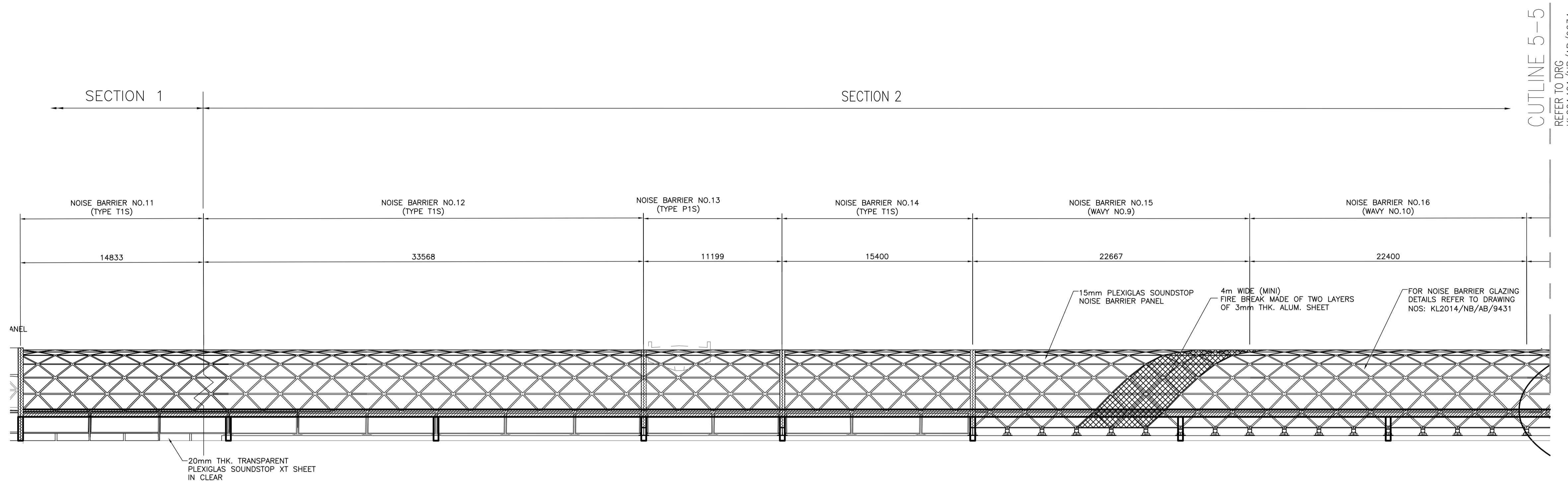
© COPYRIGHT RESERVED
CEDD 土木工程拓展署
CIVIL ENGINEERING AND DEVELOPMENT
DEPARTMENT
九龍拓展處
KOWLOON DEVELOPMENT OFFICE

NOTES :

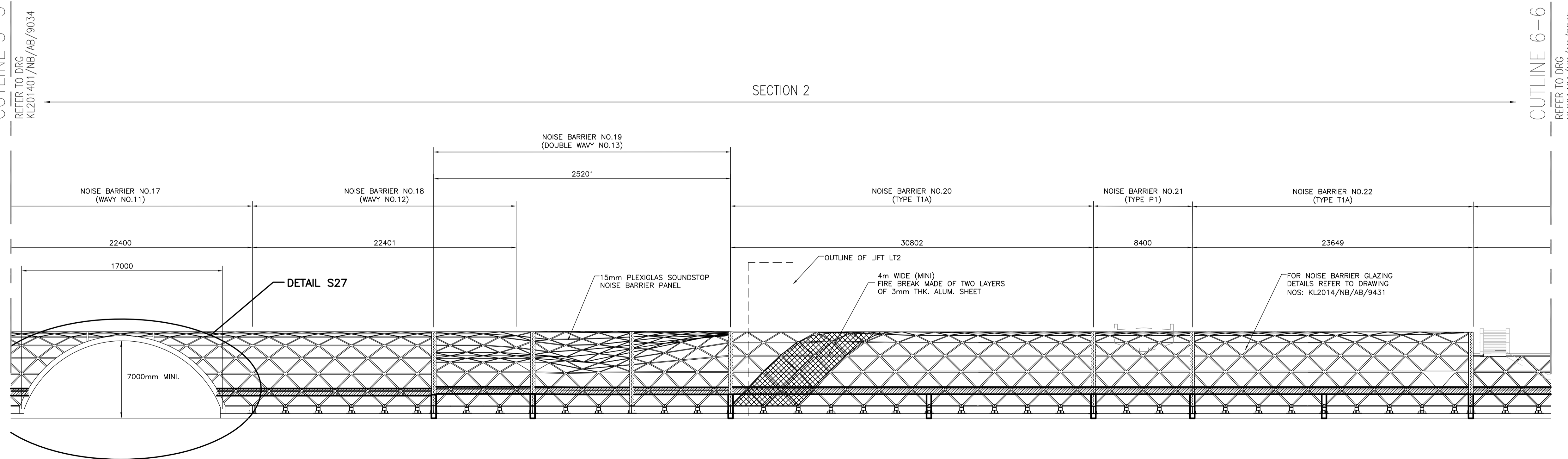
1. ALL STEEL MEMBERS ARE 193.7 x 10 CHS IN GARDE S355J0 TO BS EN 10025:1993 UNLESS OTHERWISE SPECIFIED.

LEGEND :

- ▭ DRAINAGE GUTTER
- LOCATION OF DOWNPIPE
- ▨ ALUMINIUM SEALING PLATE



VIEW 1
(SECTION 2)
1:200



VIEW 1
(SECTION 2)
1:200

Z	AS-BUILT DRAWING	AL	01/20
Rev	Description	By	Date

Supervising Officer



Contractor

大陸工程·捷華建築聯營
CEC · CCC JOINT VENTURE

Designer

Architect

Landscape Architect

Contract title
CONTRACT NO. KL/2014/01
KAI TAK DEVELOPMENT - STAGE 2
INFRASTRUCTURE WORKS FOR
DEVELOPMENT AT THE SOUTHERN PART
OF FORMER RUNWAY

Drawing title
**GENERAL ARRANGEMENT-PLAN,
ELEVATION AND SECTIONS
(FOR SECTION 2)**

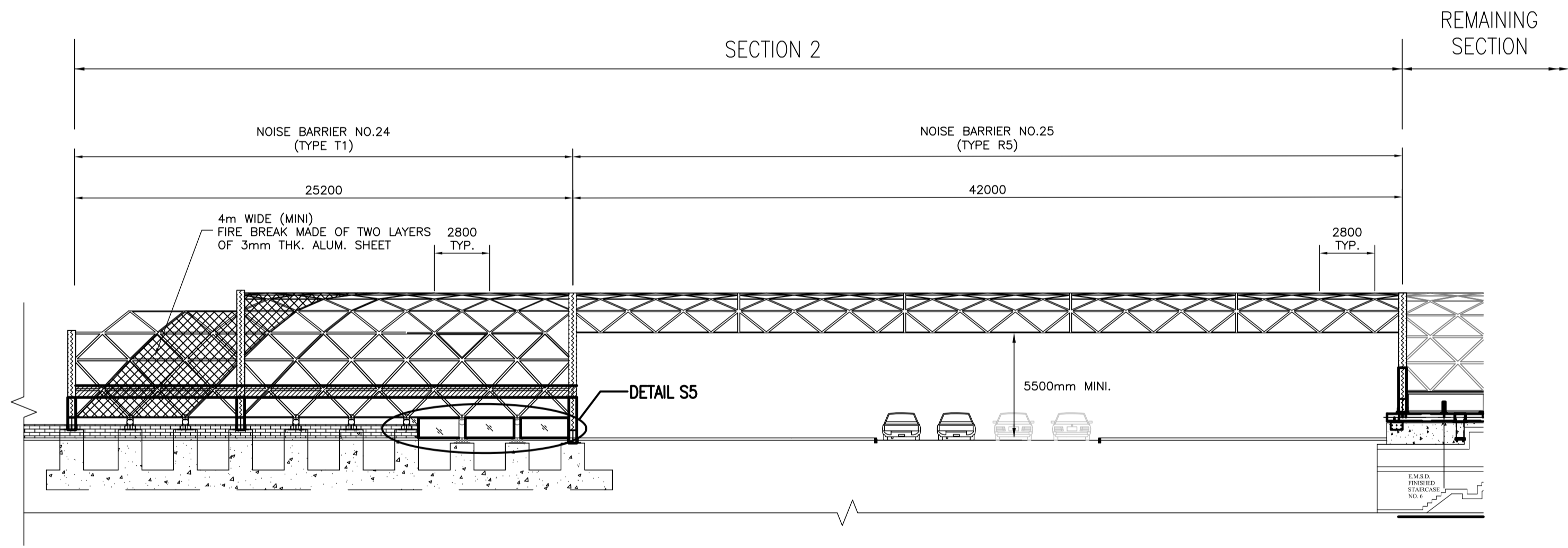
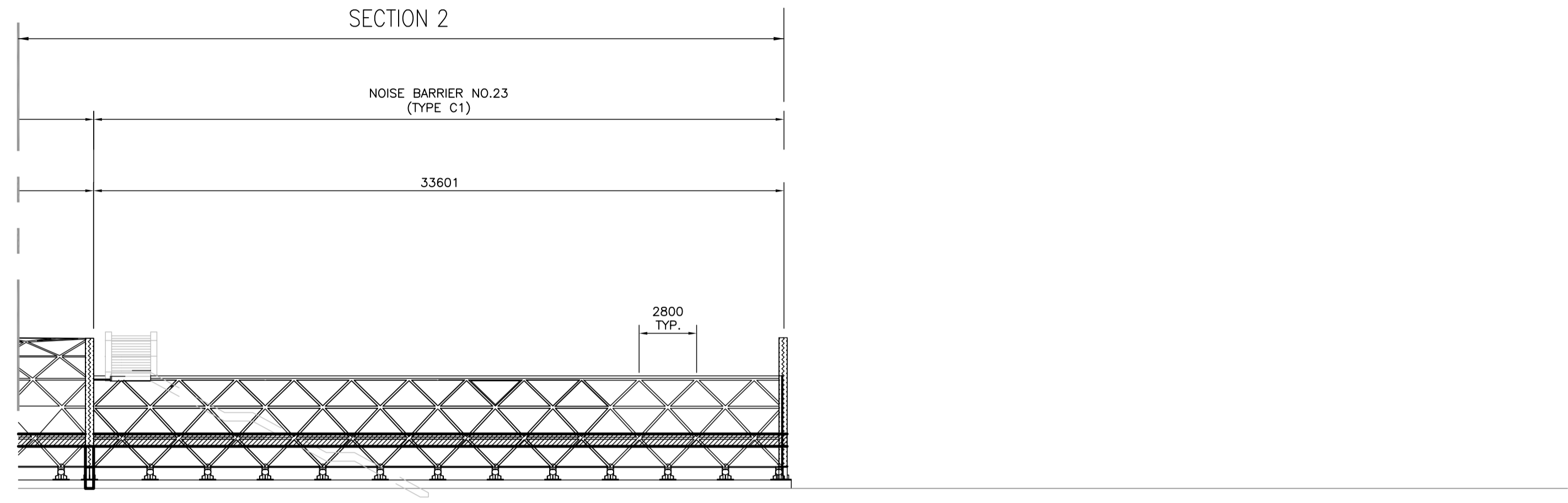
(SHEET 3 OF 6)

Drawing no. KL201401/NB/AB/9034		Rev. Z	
Drawn AL	Date 2020/01/14	Checked KM	Approved YC
Scale 1:200 (A1)		Status AS BUILT DRAWING	

© COPYRIGHT RESERVED




土木工程拓展署
CIVIL ENGINEERING AND DEVELOPMENT
DEPARTMENT
九龍拓展處
KOWLOON DEVELOPMENT OFFICE

CUTLINE 6-6
REFER TO DRG
KL201401/NB/AB/9034



VIEW 1
VIEW FROM FOOTPATH (SECTION 2)
1 : 200

NOTES :
1. ALL STEEL MEMBERS ARE 193.7 x 10 CHS IN GARDE S355J0 TO BS EN 10025:1993 UNLESS OTHERWISE SPECIFIED.

LEGEND :
 DRAINAGE GUTTER
 LOCATION OF DOWNPIPE
 ALUMINIUM SEALING PLATE

Z	AS-BUILT DRAWING	AL	01/20
Rev	Description	By	Date

Supervising Officer
AECOM

Contractor
 **CCC** 大陸工程·捷華建築聯營
CEC · CCC JOINT VENTURE

Designer
wsp

Architect
Landscape Architect
 **A.LEAD architects Ltd.**
領建建築師事務所有限公司  **ADI**

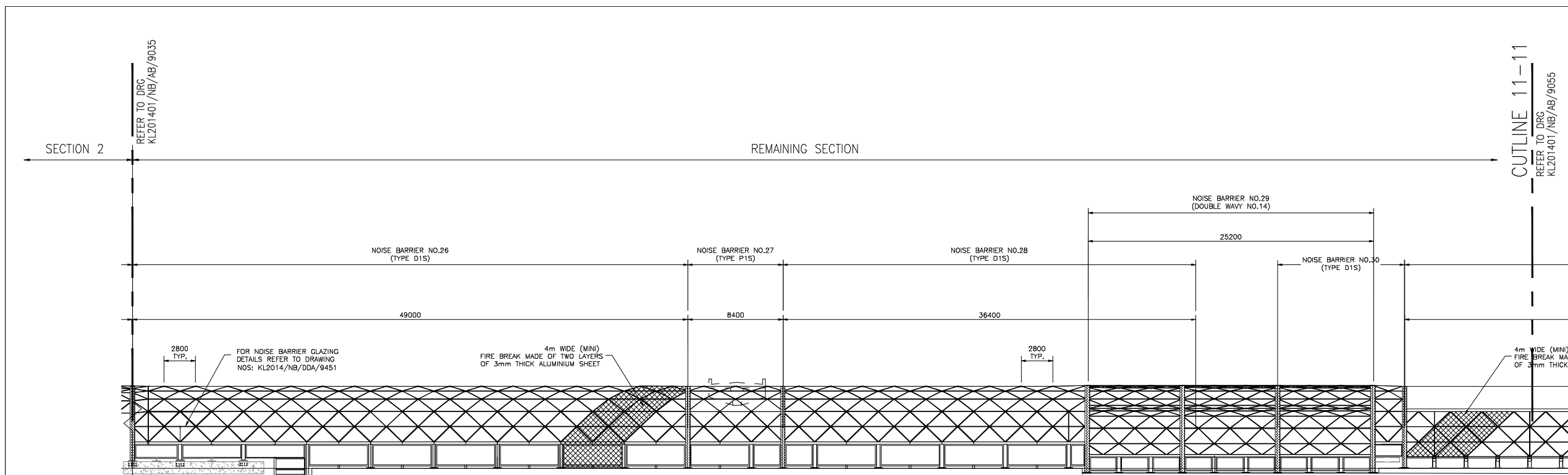
Contract title
CONTRACT NO. KL/2014/01
KAI TAK DEVELOPMENT - STAGE 2
INFRASTRUCTURE WORKS FOR
DEVELOPMENT AT THE SOUTHERN PART
OF FORMER RUNWAY

Drawing title
**GENERAL ARRANGEMENT-PLAN,
ELEVATION AND SECTIONS
(FOR SECTION 2)**

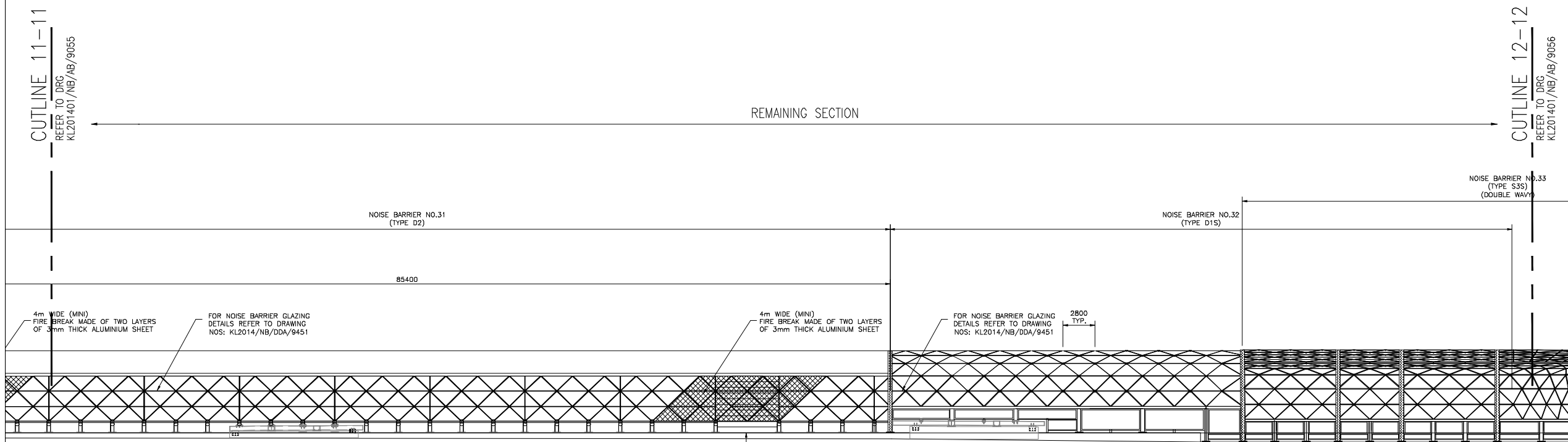
(SHEET 4 OF 6)

Drawing no. KL201401/NB/AB/9035		Rev. Z	
Drawn AL	Date 2020/01/14	Checked KM	Approved YC
Scale 1:200 (A1)		Status AS-BUILT DRAWING	

© COPYRIGHT RESERVED
 **CEDD** 土木工程拓展署
CIVIL ENGINEERING AND DEVELOPMENT
DEPARTMENT
九龍拓展處
KOWLOON DEVELOPMENT OFFICE



VIEW 1
(REMAINING SECTION)
1:200



VIEW 1
(REMAINING SECTION)
1:200

ATKINS CHINA LTD
We certify that reasonable skill and care has been used in the checking of this document/drawing by the Independent Checking Engineer / Independent Design Checker

KAN PANG
BEng(Hons) CEng MICE 06/05/2022

NOTES :

1. ALL STEEL MEMBERS SHALL BE 193.7 x 10 CHS IN GARDE S355J0 TO BS EN 10025:1993 UNLESS OTHERWISE SPECIFIED.

LEGEND :

- ▭ DRAINAGE GUTTER
- LOCATION OF DOWNPIPE
- ▨ ALUMINIUM SEALING PLATE

CEC-CCC JV
Constructed in Accordance with the Drawings

MAX CHAN
SITE AGENT

WSP ASIA LTD
We certify that the design of the works shown in this document/drawing complies with the Contract requirements.

EMERIC WAN
BEng(Msc) MBA(Cong) MPhil(Eng) MSc(Struct) MSc(Enviro)

Rev	Description	By	Date
-	AS-BUILT DRAWING	AWL	02/20

Supervising Officer
AECOM

Contractor

大陸工程·捷康建築聯盟
CEC - CCC JOINT VENTURE

Designer

Architect
Landscape Architect

Noise Barrier Works Sub-Contractor
ACTIVE WAY LTD
愛達威有限公司

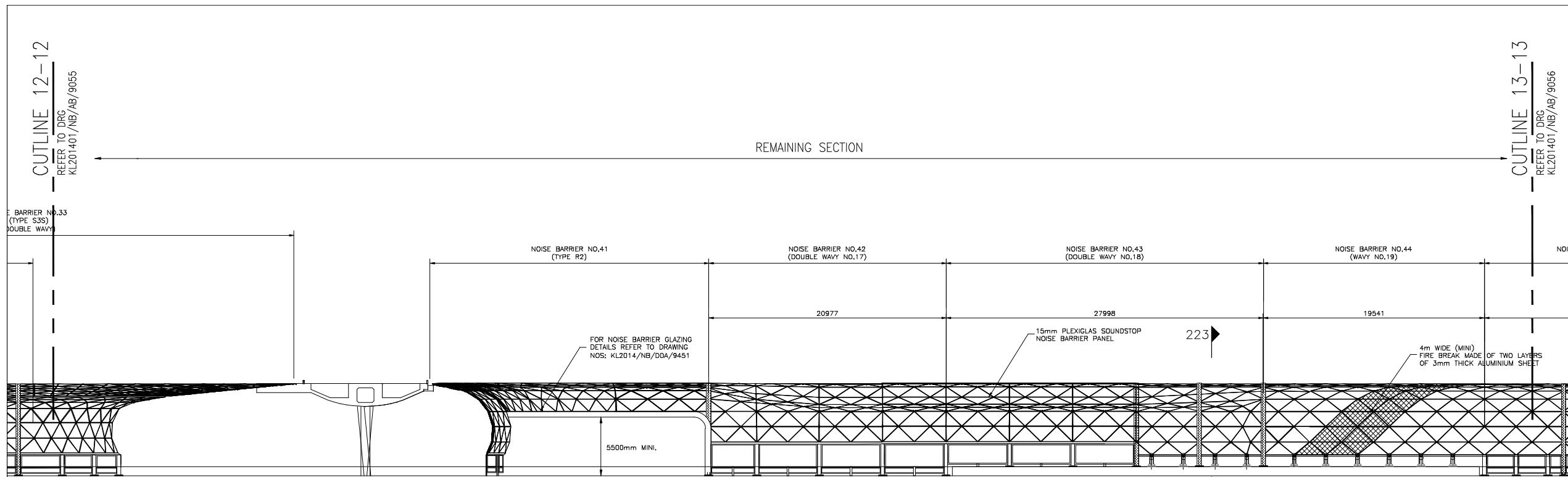
Contract title
CONTRACT NO. KL/2014/01
KAI TAK DEVELOPMENT - STAGE 2
INFRASTRUCTURE WORKS FOR
DEVELOPMENT AT THE SOUTHERN PART
OF FORMER RUNWAY

Drawing title
GENERAL ARRANGEMENT-PLAN,
ELEVATION AND SECTIONS
(FOR REMAINING SECTION)
(SHEET 4 OF 11)

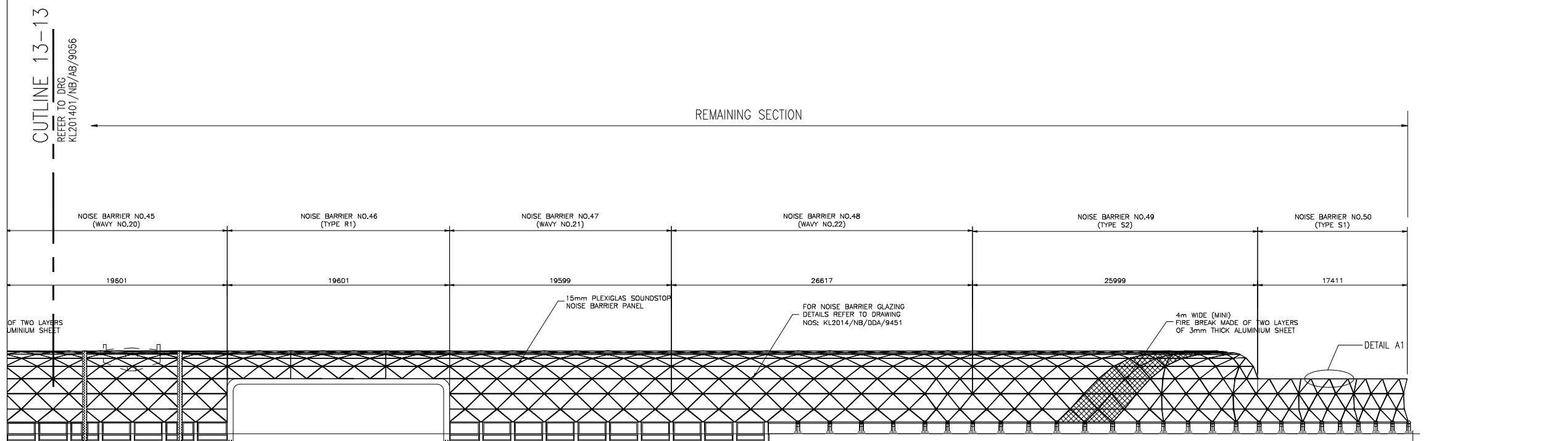
Drawing no.	KL201401/NB/AB/9055	Rev.	-
Drawn	AL	Date	2020
Checked	KM	Approved	YC
Scale	AS SHOWN	Status	AS-BUILT DRAWING

© COPYRIGHT RESERVED

土木工務發展部
CIVIL ENGINEERING AND DEVELOPMENT
DEPARTMENT
九龍拓展處
KOWLOON DEVELOPMENT OFFICE



VIEW 1
(REMAINING SECTION)
1:200



VIEW 1
(REMAINING SECTION)
1:200

ATKINS CHINA LTD

We certify that reasonable skill and care has been used in the checking of this document/drawing by the Independent Checking Engineer / Independent Design Checker

KAN PANG
BEng(Hons) CEng MICE 06/05/2022

NOTES :

1. ALL STEEL MEMBERS SHALL BE 193.7 x 10 CHS IN GARDE S355J0 TO BS EN 10025:1993 UNLESS OTHERWISE SPECIFIED.

LEGEND :

- ▬ DRAINAGE GUTTER
- LOCATION OF DOWNPIPE
- ▬ ALUMINIUM SEALING PLATE

CEC-CCC JV
Constructed in Accordance with the Drawings

Max Chan
MAX CHAN
SITE AGENT

WSP ASIA LTD
We certify that the design of the works shown in this document/drawing complies with the Contract requirements.

Emeric Wan
EMERIC WAN
Being MICE MBEA CEng MBEAust MBEA NZSEE MBEA NZSEE

Rev	Description	By	Date
-	AS-BUILT DRAWING	AWL	02/20

Supervising Officer

AECOM

Contractor

CCC 大陸工程·捷康建築聯盟
CEC - CCC JOINT VENTURE

Designer

WSP | **PARSONS BRINCKERHOFF**

Architect

A.LEAD architects ltd. | **ADI**

Noise Barrier Works Sub-Contractor

ACTIVE WAY LTD **AW**
愛達威有限公司

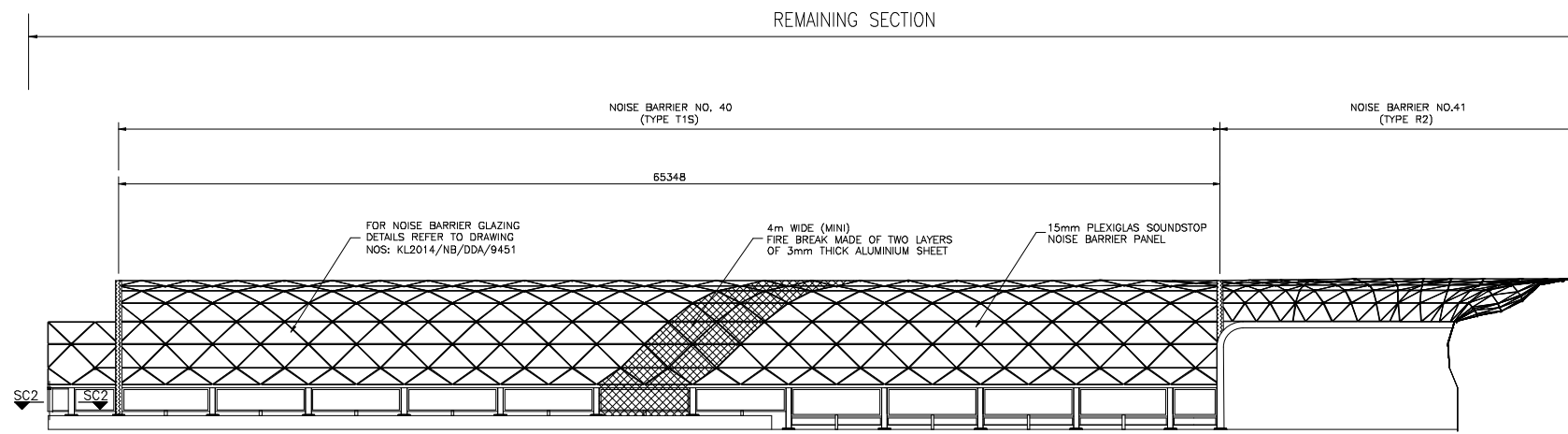
Contract title
CONTRACT NO. KL/2014/01
KAI TAK DEVELOPMENT - STAGE 2
INFRASTRUCTURE WORKS FOR
DEVELOPMENT AT THE SOUTHERN PART
OF FORMER RUNWAY

Drawing title
GENERAL ARRANGEMENT-PLAN,
ELEVATION AND SECTIONS
(FOR REMAINING SECTION)
(SHEET 5 OF 11)

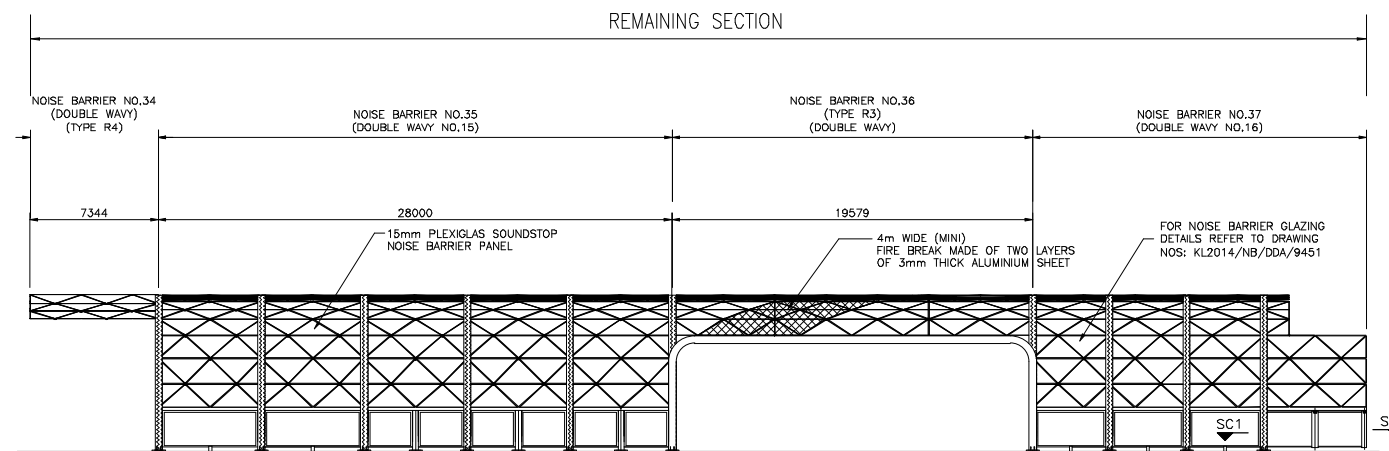
Drawing no.	KL201401/NB/AB/9056	Rev.	-
Drawn	AL	Date	2020
Checked	KM	Approved	YC
Scale	AS SHOWN	Status	AS-BUILT DRAWING

© COPYRIGHT RESERVED

CEDD 土木工程發展署
CIVIL ENGINEERING AND DEVELOPMENT
DEPARTMENT
九龍拓展處
KOWLOON DEVELOPMENT OFFICE



VIEW 2
(REMAINING SECTION)
1:200



VIEW 3
(REMAINING SECTION)
1:200

NOTES :

1. ALL STEEL MEMBERS SHALL BE 193.7 x 10 CHS IN GARDE S355J0 TO BS EN 10025:1993 UNLESS OTHERWISE SPECIFIED.

LEGEND :

- ▣ DRAINAGE GUTTER
- LOCATION OF DOWNPIPE
- ▨ ALUMINIUM SEALING PLATE

CEC-CCC JV
Constructed in Accordance with the Drawings

MAX CHAN
SITE AGENT

WSP ASIA LTD
We certify that the design of the works shown in this document/drawing complies with the Contract requirements.

EMERIC WAN
Being MBE MBEA CEng MIEAust MICE MIMechE

Rev	Description	By	Date
-	AS-BUILT DRAWING	AWL	02/20

Supervising Officer

Contractor

CCC 大陸工程·捷康建築聯營
CEC - CCC JOINT VENTURE

Designer

Architect Landscape Architect

Noise Barrier Works Sub-Contractor

Contract title
CONTRACT NO. KL/2014/01
KAI TAK DEVELOPMENT - STAGE 2
INFRASTRUCTURE WORKS FOR
DEVELOPMENT AT THE SOUTHERN PART
OF FORMER RUNWAY

Drawing title
GENERAL ARRANGEMENT-PLAN,
ELEVATION AND SECTIONS
(FOR REMAINING SECTION)
(SHEET 6 OF 11)

Drawing no.	KL201401/NB/AB/9057	Rev.	-
Drawn	AL	Date	2020
Checked	YM	Approved	YC
Scale	AS SHOWN	Status	AS-BUILT DRAWING

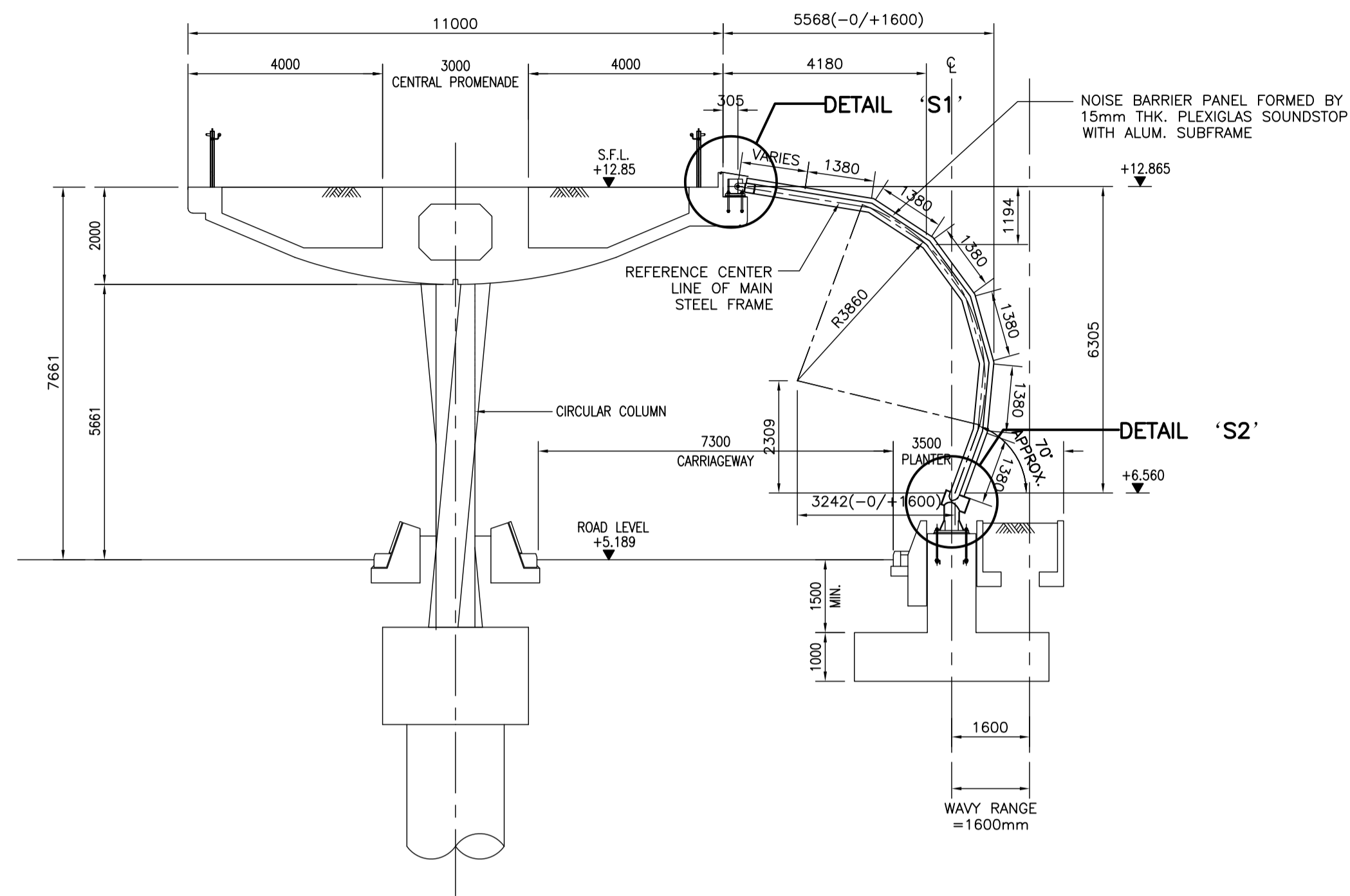
© COPYRIGHT RESERVED

土木工務發展部
CIVIL ENGINEERING AND DEVELOPMENT
DEPARTMENT
九龍發展處
KOWLOON DEVELOPMENT OFFICE

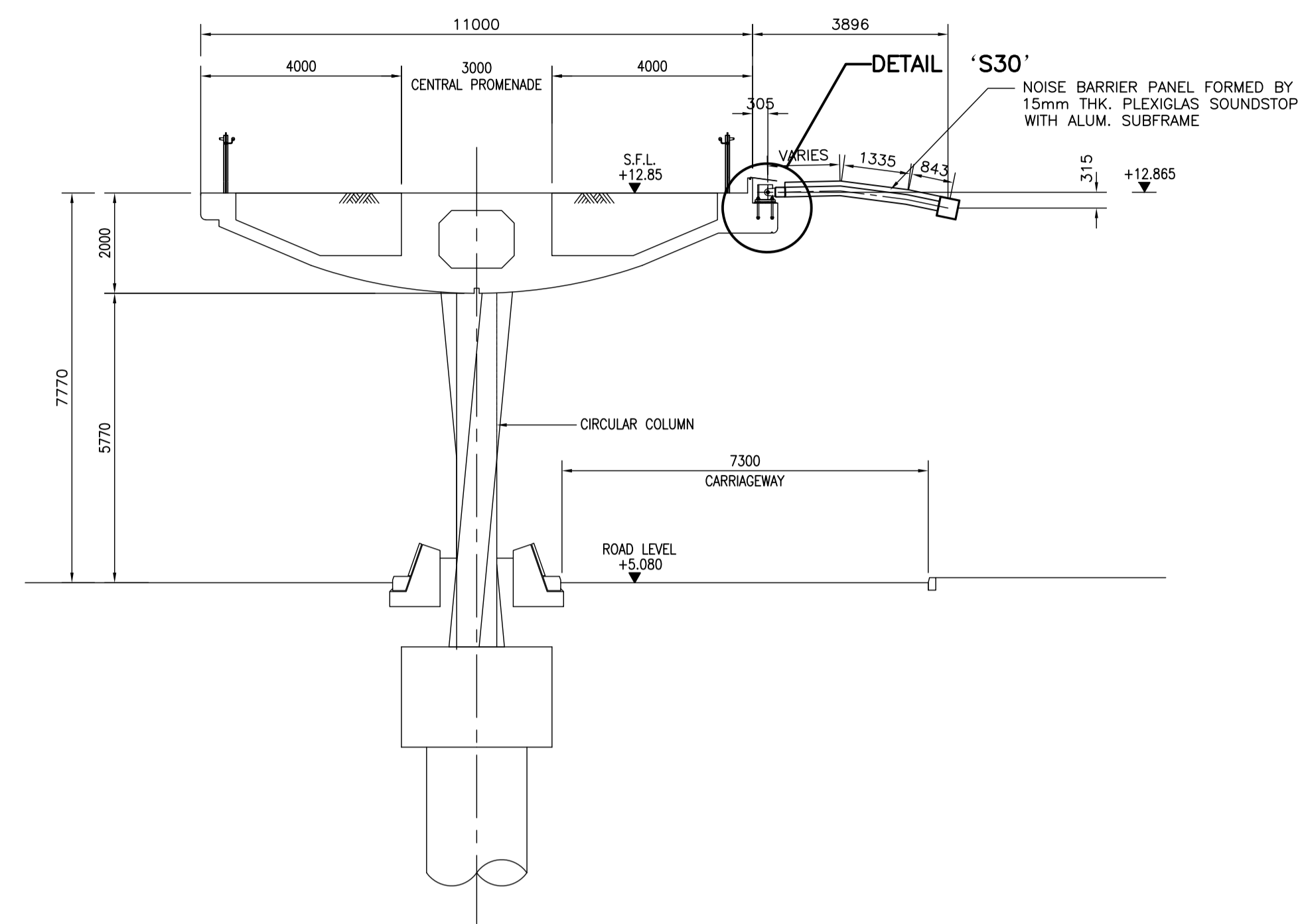
ATKINS CHINA LTD

We certify that reasonable skill and care has been used in the checking of this document/drawing by the Independent Checking Engineer / Independent Design Checker

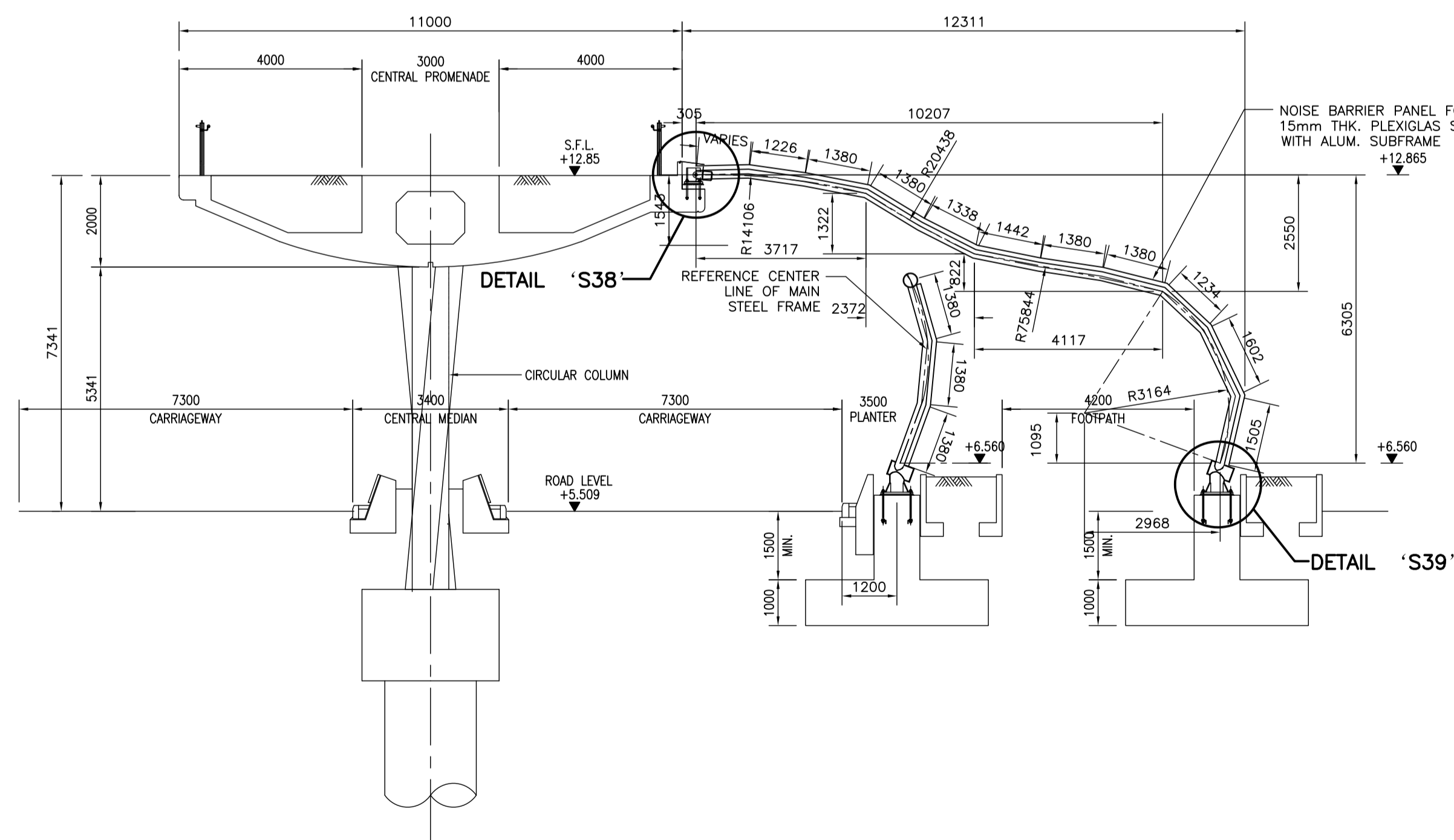
KAN PANG
BEng(Hons) CEng MICE
06/05/2022



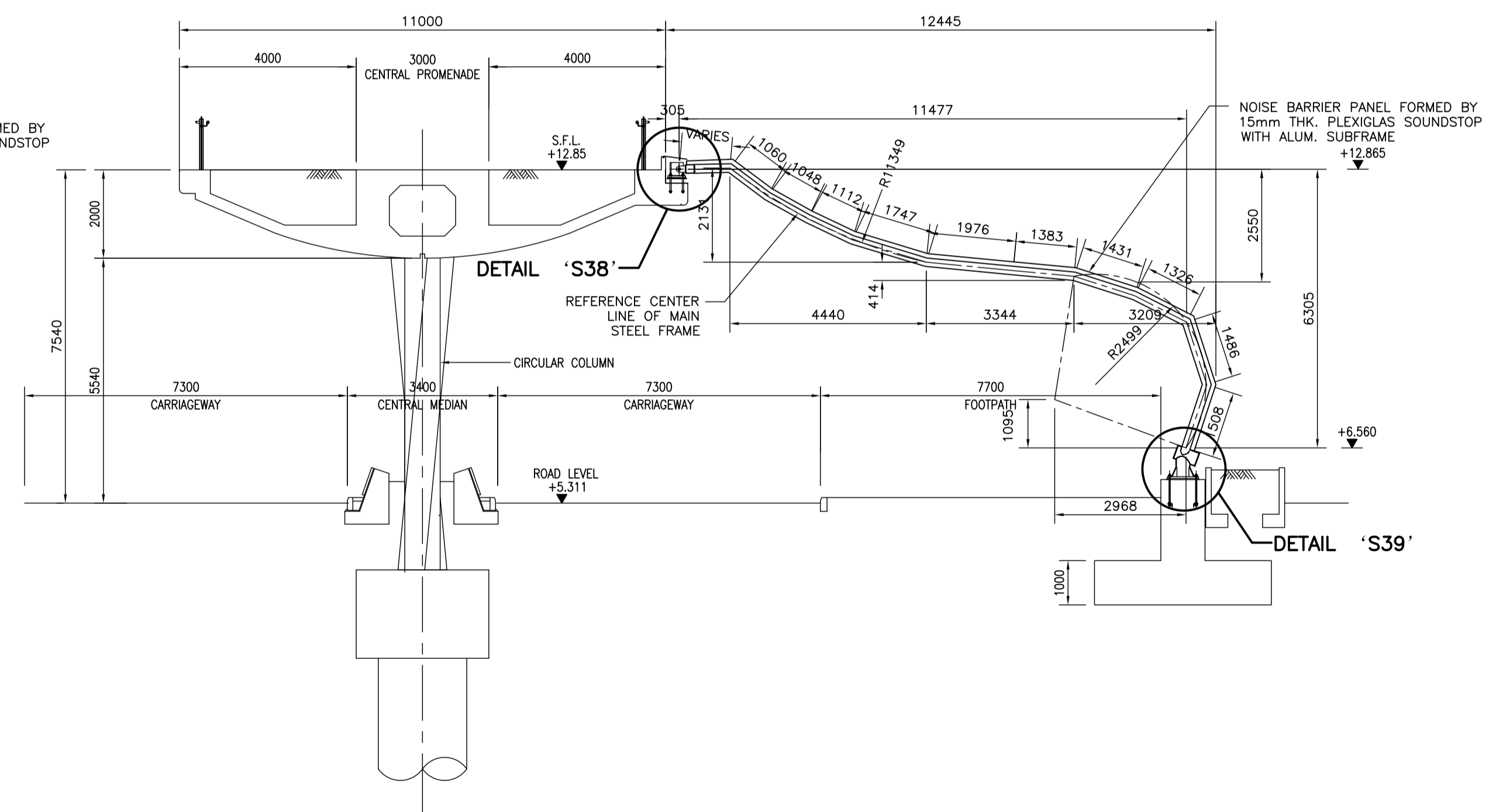
SECTION 104-104
(TYPICAL SECTION OF WAVY NOISE BARRIER)
1 : 100



SECTION 105-105
1 : 100



SECTION 106-106
1 : 100



SECTION 106a-106a
1 : 100

Z	AS-BUILT DRAWING	AL	01/20
Rev	Description	By	Date

Supervising Officer



Contractor

大陸工程·捷華建築聯營
CEC · CCC JOINT VENTURE

Designer

Architect

Landscape Architect

Contract title
CONTRACT NO. KL/2014/01
KAI TAK DEVELOPMENT - STAGE 2
INFRASTRUCTURE WORKS FOR
DEVELOPMENT AT THE SOUTHERN PART
OF FORMER RUNWAY

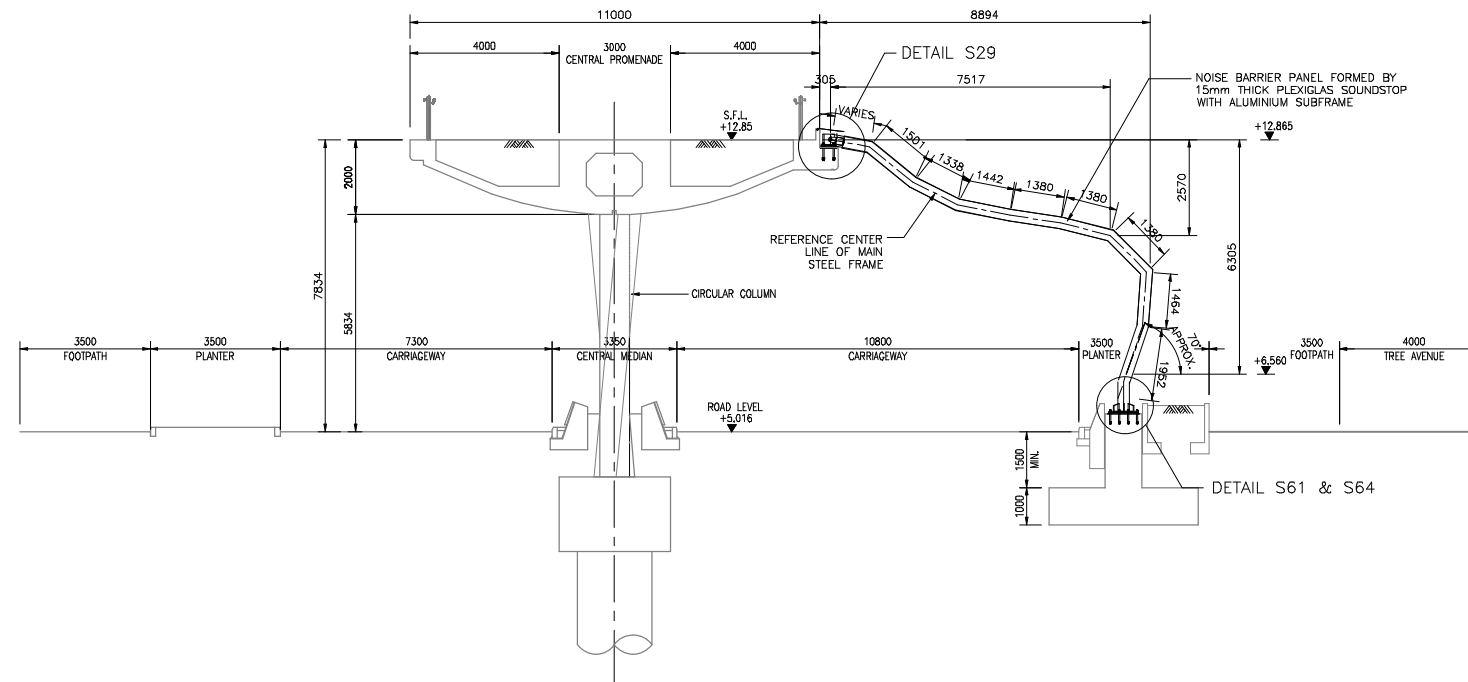
Drawing title
**GENERAL ARRANGEMENT-PLAN,
ELEVATION AND SECTIONS
(FOR SECTION 2)**

(SHEET 5 OF 6)

Drawing no. KL201401/NB/AB/9036		Rev. Z	
Drawn AL	Date 2020/01/14	Checked KM	Approved YC
Scale 1:100 (A1)		Status AS BUILT DRAWING	

© COPYRIGHT RESERVED

土木工程拓展署
CIVIL ENGINEERING AND DEVELOPMENT
DEPARTMENT
九龍拓展處
KOWLOON DEVELOPMENT OFFICE

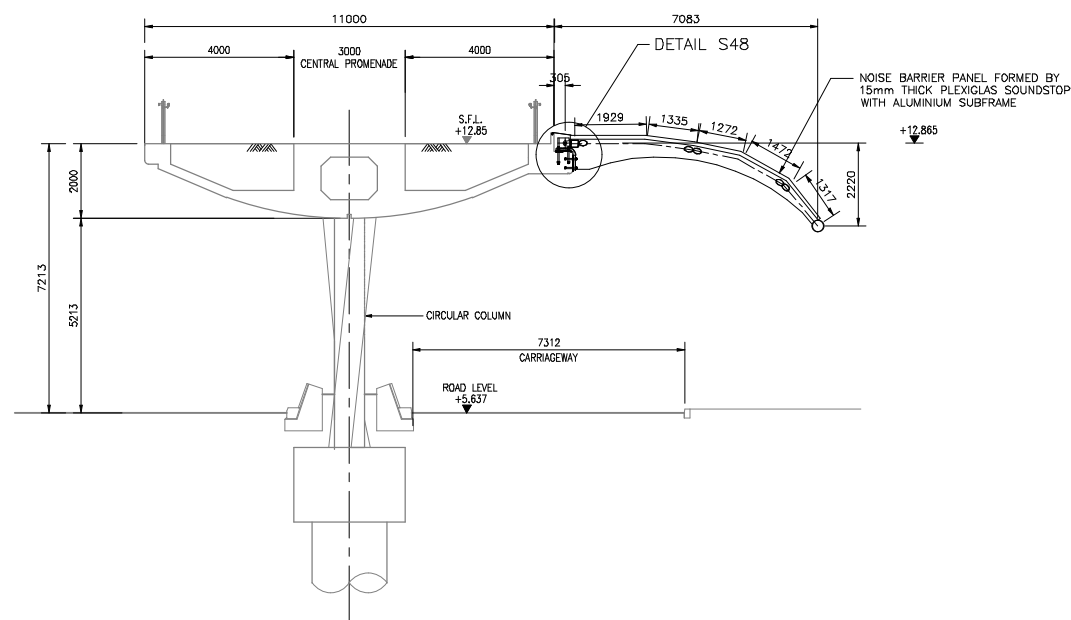


SECTION 212-212
(TYPICAL SECTION OF DOUBLE WAVY NOISE BARRIER)
1 : 100

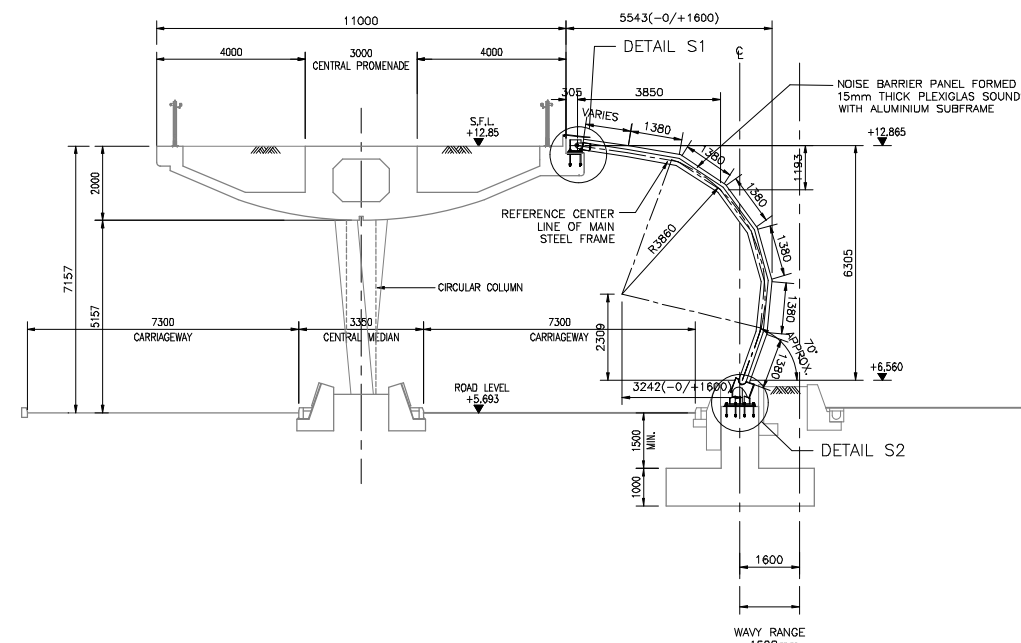
ATKINS CHINA LTD

We certify that reasonable skill and care has been used in the checking of this document/drawing by the Independent Checking Engineer / Independent Design Checker

KAN PANG
BEng(Hons) CEng MICE 06/05/2022



SECTION 213-213
1 : 100



SECTION 214-214
(TYPICAL SECTION WAVY NOISE BARRIER FOR LINKING WALKWAY ALONG ROAD D3A)
1 : 100

CEC-CCC JV
Constructed in Accordance with the Drawings

MAX CHAN
SITE AGENT

WSP ASIA LTD
We certify that the design of the works shown in this document/drawing complies with the Contract requirements.

EMERIC WAN
BEng(Hons) MSc(Civ) MICE(Eng) MICE(Struct)

Rev	Description	By	Date
-	AS-BUILT DRAWING	AWL	02/20

Supervising Officer

AECOM

Contractor
CCC 大陸工程·捷卓建築聯營
CEC · CCC JOINT VENTURE

Designer
WSP | PARSONS BRINCKERHOFF

Architect
Landscape Architect
A.LEAD architects ltd.
建築師事務所有限公司 ADI

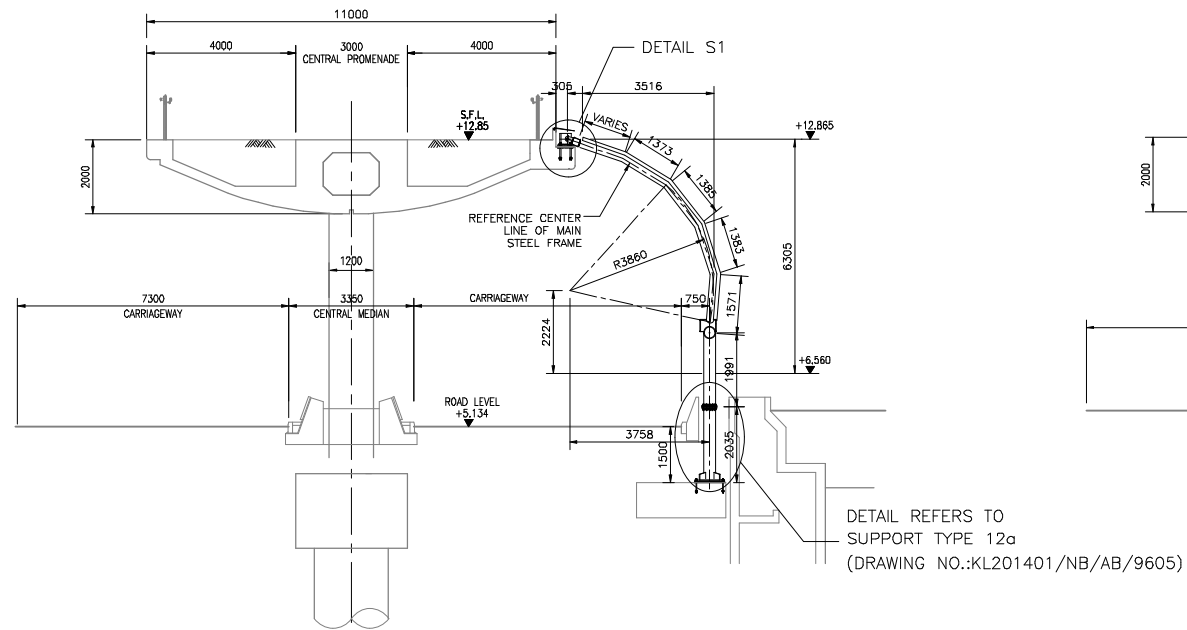
Noise Barrier Works Sub-Contractor
ACTIVE WAY LTD
愛達威有限公司 AW

Contract title
CONTRACT NO. KL/2014/01
KAI TAK DEVELOPMENT - STAGE 2
INFRASTRUCTURE WORKS FOR
DEVELOPMENT AT THE SOUTHERN PART
OF FORMER RUNWAY

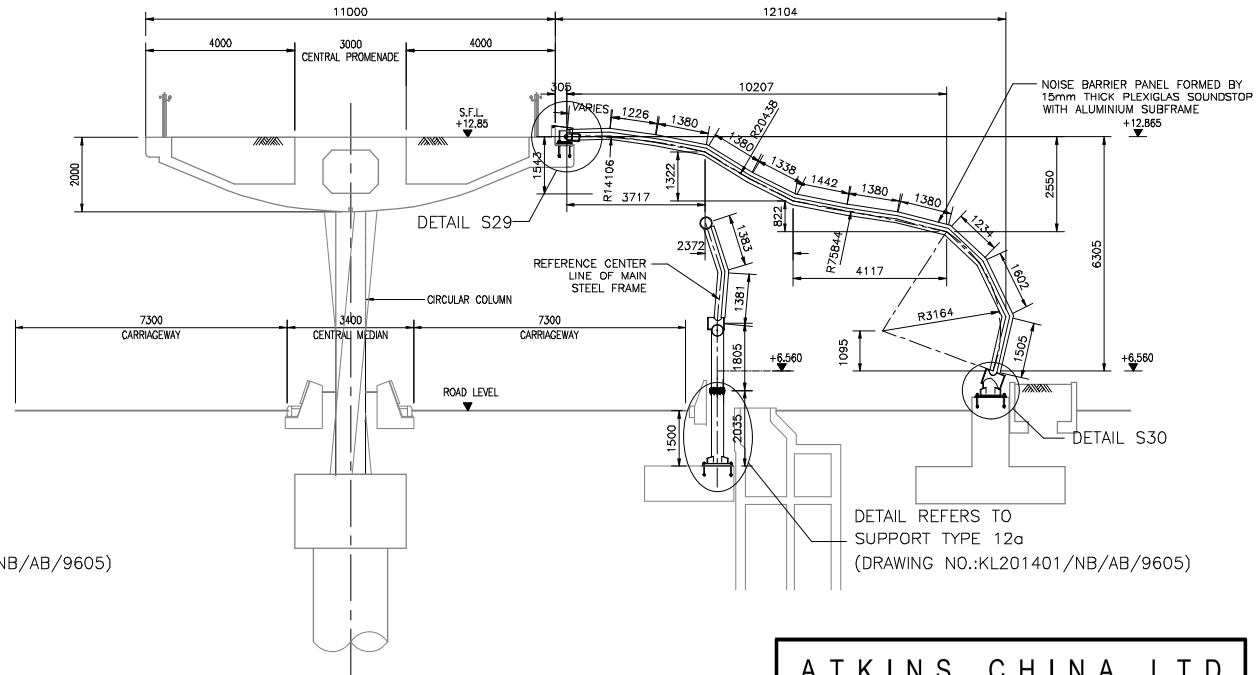
Drawing title
GENERAL ARRANGEMENT-PLAN,
ELEVATION AND SECTIONS
(FOR REMAINING SECTION)
(SHEET 8 OF 11)

Drawing no.	KL201401/NB/AB/9059	Rev.	-
Drawn	AL	Date	2020
Checked	KW	Approved	YC
Scale	AS SHOWN	Status	AS-BUILT DRAWING

© COPYRIGHT RESERVED
土木工務發展署
CIVIL ENGINEERING AND DEVELOPMENT
DEPARTMENT
九龍發展處
KOWLOON DEVELOPMENT OFFICE

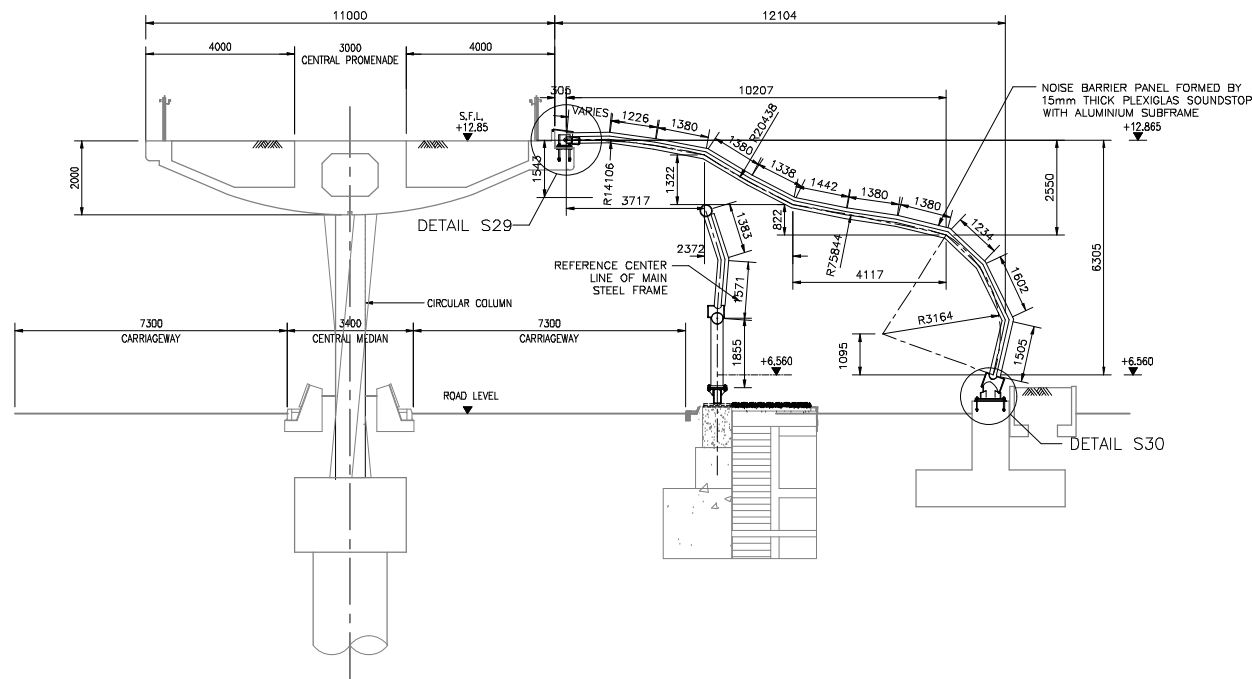


SECTION 217-217
1 : 100

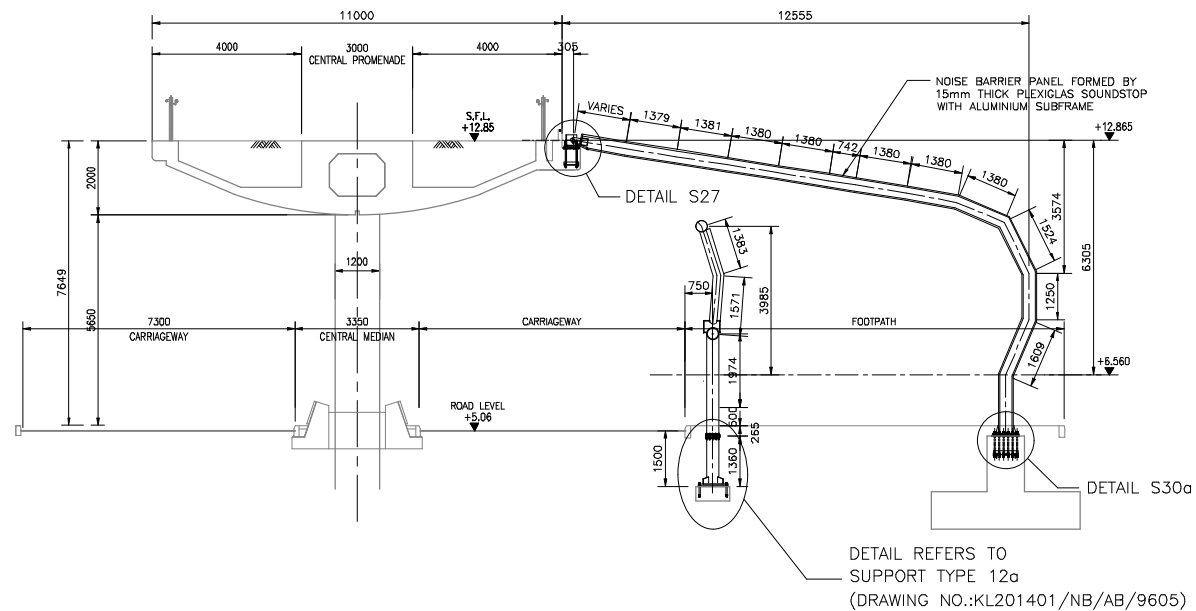


SECTION 218-218
1 : 100

ATKINS CHINA LTD
We certify that reasonable skill and care has been used in the checking of this document/drawing by the Independent Checking Engineer / Independent Design Checker
[Signature]
KAN PANG
BEng(Hons) CEng MICE 06/05/2022



SECTION 218A-218A
1 : 100



SECTION 219-219
(TYPICAL SECTION FOR LINKING WALKWAY AT DCS)
1 : 100

CEC-CCC JV
Constructed in Accordance with the Drawings
[Signature]
MAX CHAN
SITE AGENT

WSP ASIA LTD
We certify that the design of the works shown in this document/drawing complies with the Contract requirements.
[Signature]
EMERIC WAN
BEng MICE MBS CEng MIMechE MICE MIMechE

Rev	Description	By	Date
-	AS-BUILT DRAWING	AWL	02/20

Supervising Officer
AECOM

Contractor
CCC 大陸工程·捷卓建築聯營
CEC - CCC JOINT VENTURE

Designer
WSP | **PARSONS BRINCKERHOFF**

Architect Landscape Architect
A.LEAD architects ltd. 廣達建築師事務所有限公司
ADI

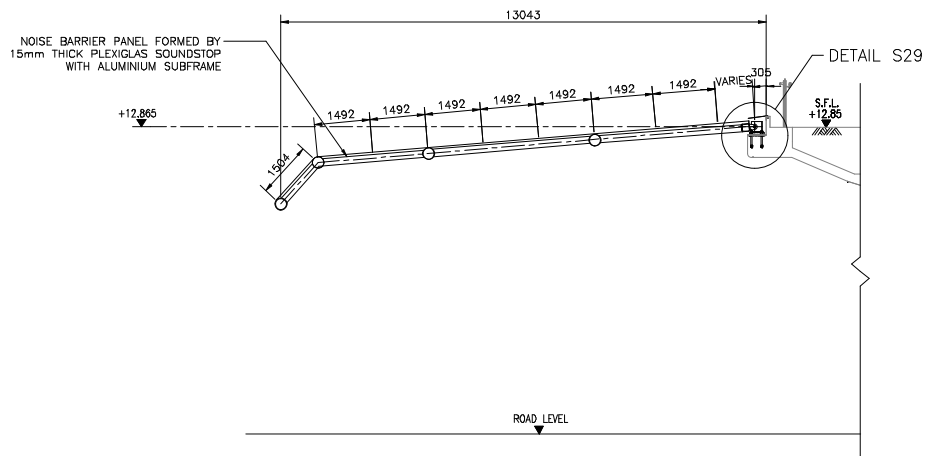
Noise Barrier Works Sub-Contractor
ACTIVE WAY LTD 愛達威有限公司 **AW**

Contract title
CONTRACT NO. KL/2014/01
KAI TAK DEVELOPMENT - STAGE 2
INFRASTRUCTURE WORKS FOR
DEVELOPMENT AT THE SOUTHERN PART
OF FORMER RUNWAY

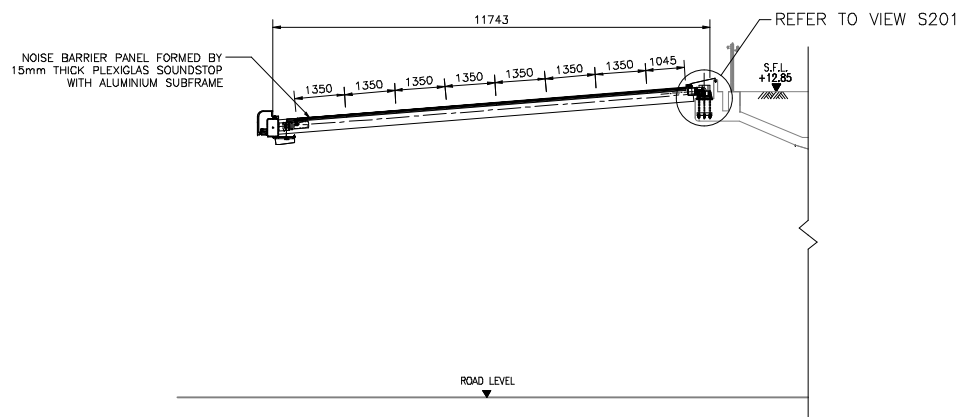
Drawing title
GENERAL ARRANGEMENT-PLAN,
ELEVATION AND SECTIONS
(FOR REMAINING SECTION)
(SHEET 10 OF 11)

Drawing no.	KL201401/NB/AB/9061	Rev.	-
Drawn	AL	Date	2020
Checked	KM	Approved	YC
Scale	AS SHOWN	Status	AS-BUILT DRAWING

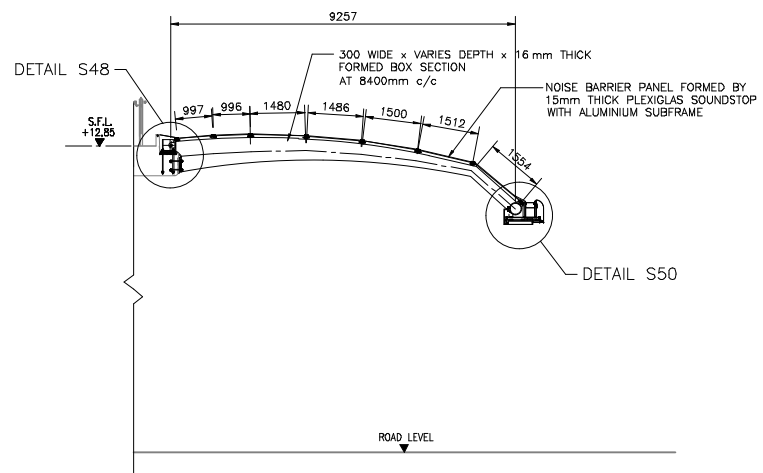
© COPYRIGHT RESERVED
土木工務發展署
CIVIL ENGINEERING AND DEVELOPMENT
DEPARTMENT
九龍發展處
KOWLOON DEVELOPMENT OFFICE



SECTION 220-220
1 : 100



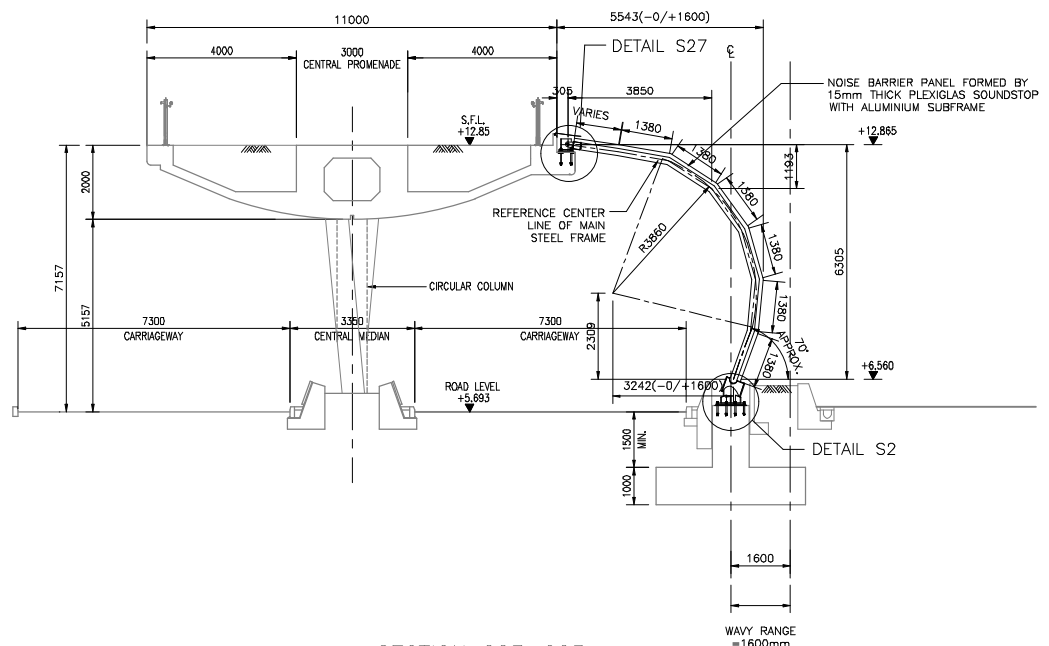
SECTION 221-221
1 : 100



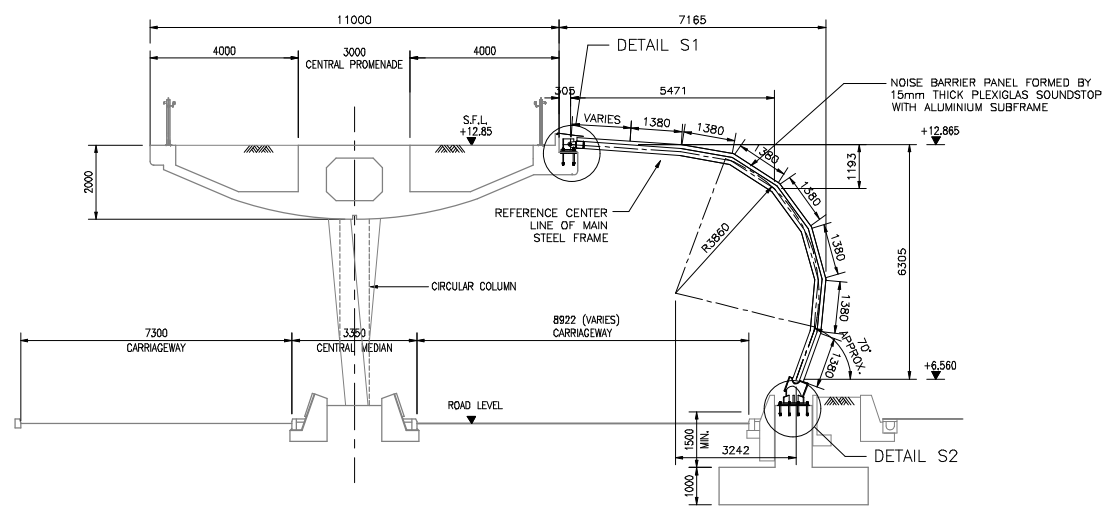
SECTION 222-222
1 : 100

ATKINS CHINA LTD
We certify that reasonable skill and care has been used in the checking of this document/drawing by the Independent Checking Engineer / Independent Design Checker

KAN PANG
BEng(Hons) CEng MICE 06/05/2022



SECTION 223-223
1 : 100



SECTION 224-224
(TYPICAL SECTION WAVY NOISE BARRIER FOR LINKING WALKWAY ALONG ROAD D3A)
1 : 100

CEC-CCC JV
Constructed in Accordance with the Drawings

MAX CHAN
SITE AGENT

WSP ASIA LTD
We certify that the design of the works shown in this document/drawing complies with the Contract requirements.

EMERIC WAN
REG. MGR. MSA (CIVIL) MISEL (ELECTRICAL)

	AS-BUILT DRAWING	AWL	02/20
Rev	Description	By	Date

Supervising Officer



Contractor
CCC 大陸工程·捷卓建築聯營
CEC · CCC JOINT VENTURE

Designer
WSP | **PARSONS BRINCKERHOFF**

Architect Landscape Architect
A.LEAD architects ltd. 廣達建築師事務所有限公司 **ADI**

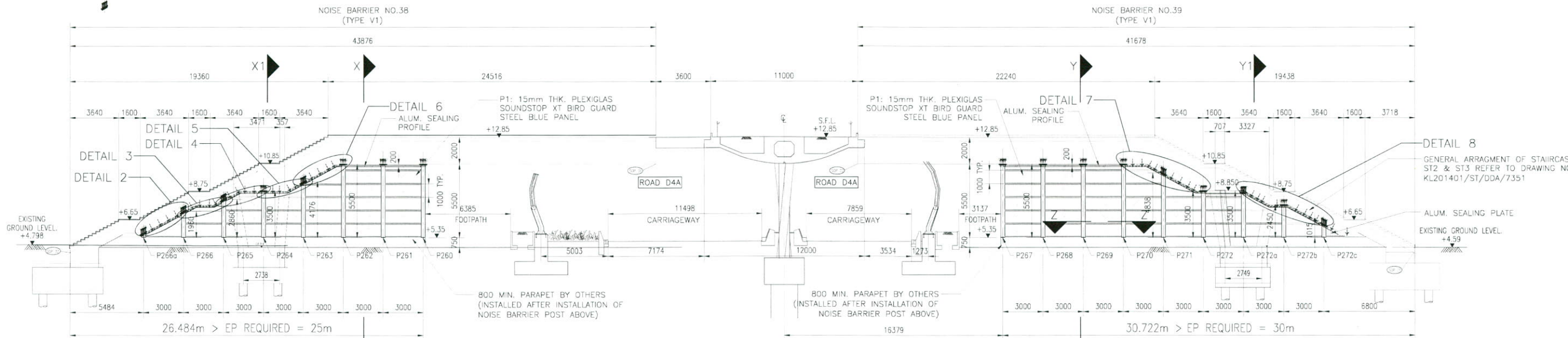
Noise Barrier Works Sub-Contractor
ACTIVE WAY LTD 愛達威有限公司 **AW**

Contract title
CONTRACT NO. KL/2014/01
KAI TAK DEVELOPMENT - STAGE 2
INFRASTRUCTURE WORKS FOR
DEVELOPMENT AT THE SOUTHERN PART
OF FORMER RUNWAY

Drawing title
GENERAL ARRANGEMENT-PLAN,
ELEVATION AND SECTIONS
(FOR REMAINING SECTION)
(SHEET 11 OF 11)

Drawing no.	KL201401/NB/AB/9062	Rev.	-
Drawn	AL	Date	2020
Checked	KW	Approved	YC
Scale	AS SHOWN	Status	AS-BUILT DRAWING

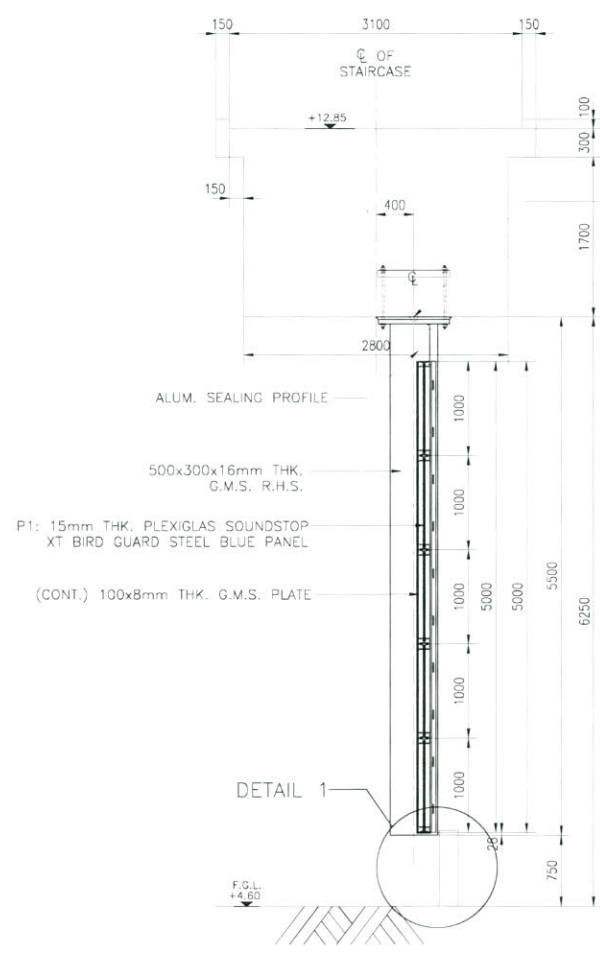
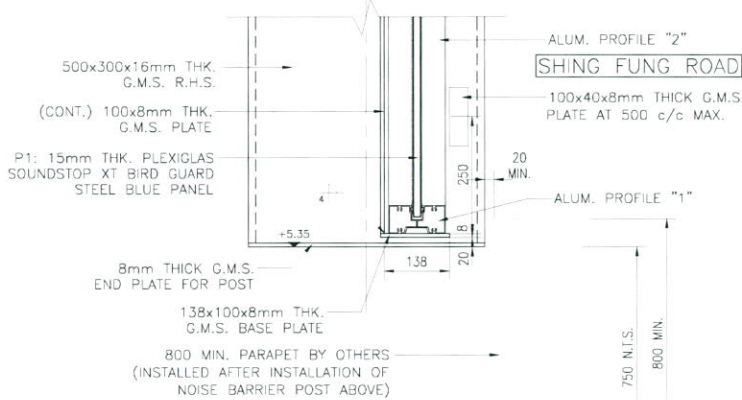
© COPYRIGHT RESERVED
土木工務發展署
CIVIL ENGINEERING AND DEVELOPMENT
DEPARTMENT
九龍發展處
KOWLOON DEVELOPMENT OFFICE



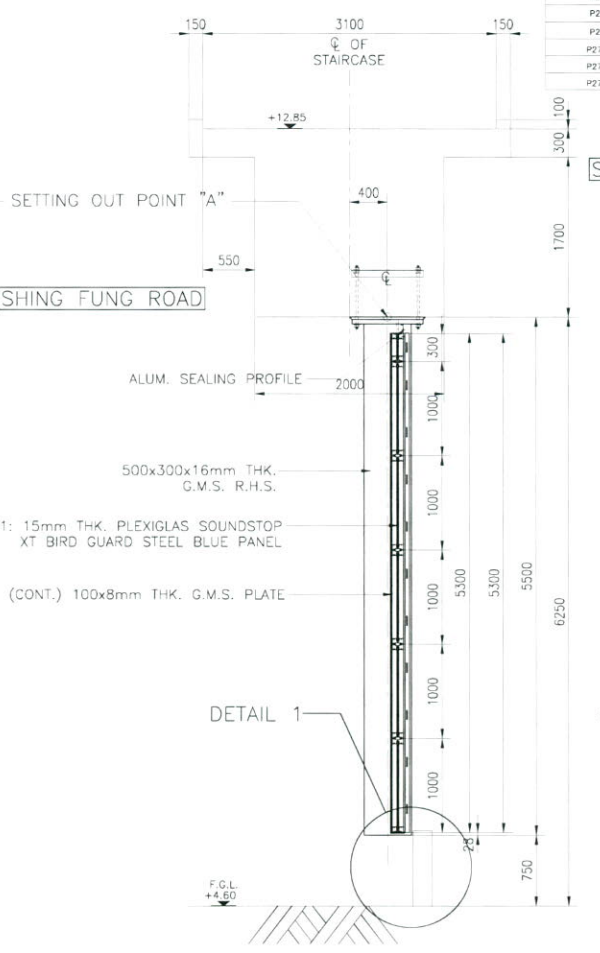
SETTING OUT OF NOISE BARRIER ON STAIRCASE ST2 & ST3
1 : 200

SETTING OUT TABLE OF SUPPORTS

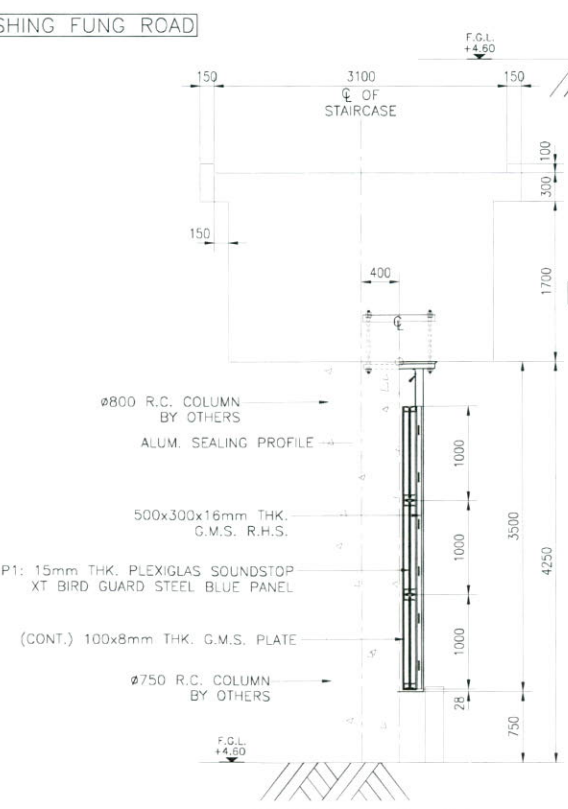
SETTING OUT POINT 'X'	EASTING	NORTHING
P260	839261.344	819523.575
P261	839263.504	819523.493
P262	839265.564	819521.410
P263	839267.823	819519.328
P264	839269.983	819517.246
P265	839272.142	819515.163
P266	839274.302	819513.081
P266a	839276.462	819510.999
P267	839230.124	819555.680
P268	839227.964	819557.782
P269	839225.805	819559.844
P270	839223.645	819561.927
P271	839221.485	819564.009
P272	839219.326	819566.092
P272a	839217.166	819568.174
P272b	839215.007	819570.256
P272c	839212.847	819572.339



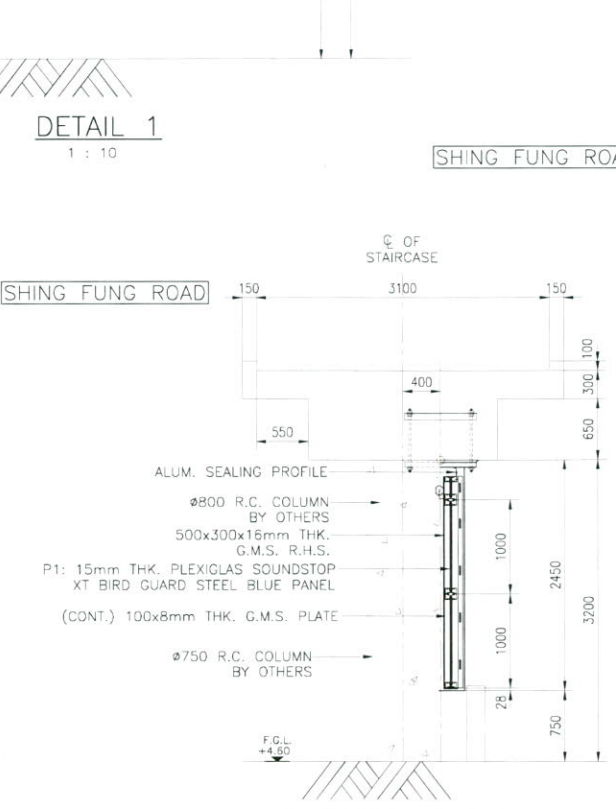
SECTION X-X
TYPICAL SECTION AT STAIRCASE ST3
1 : 50



SECTION Y-Y
TYPICAL SECTION AT STAIRCASE ST2
1 : 50

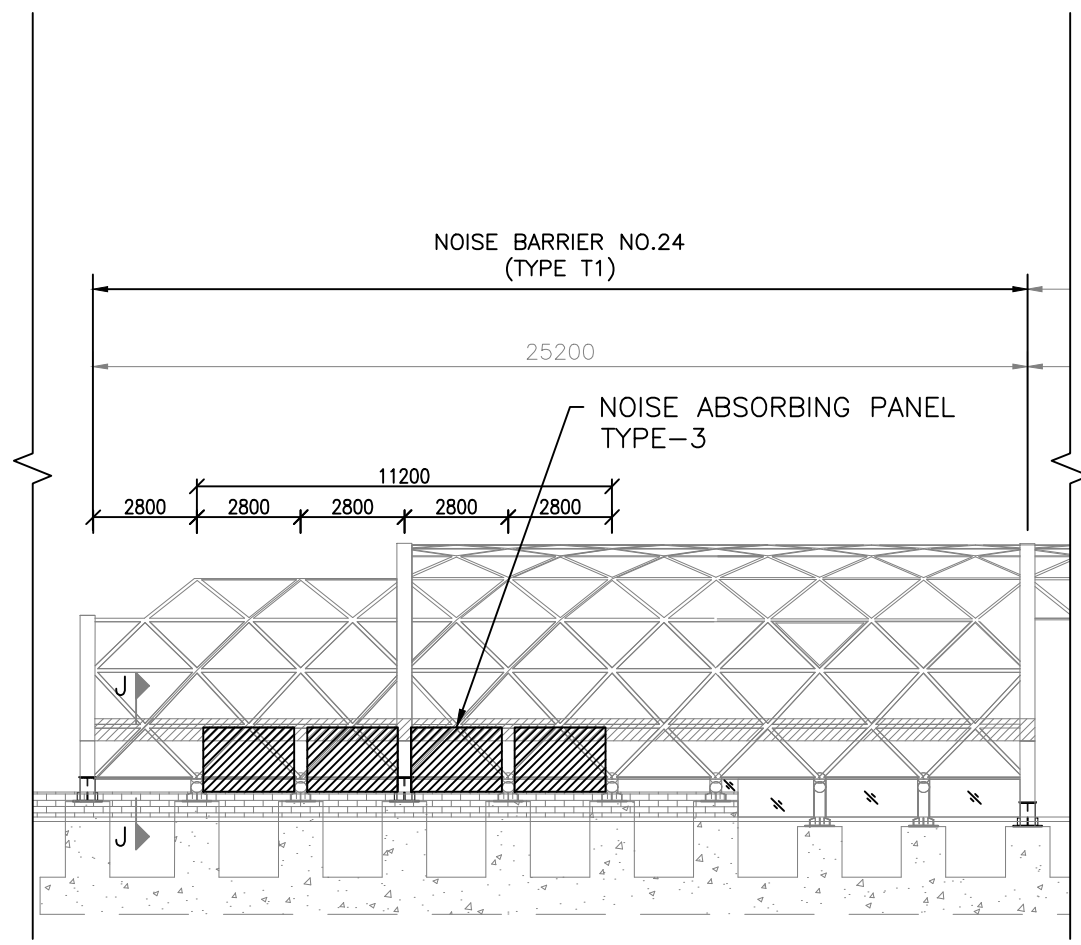
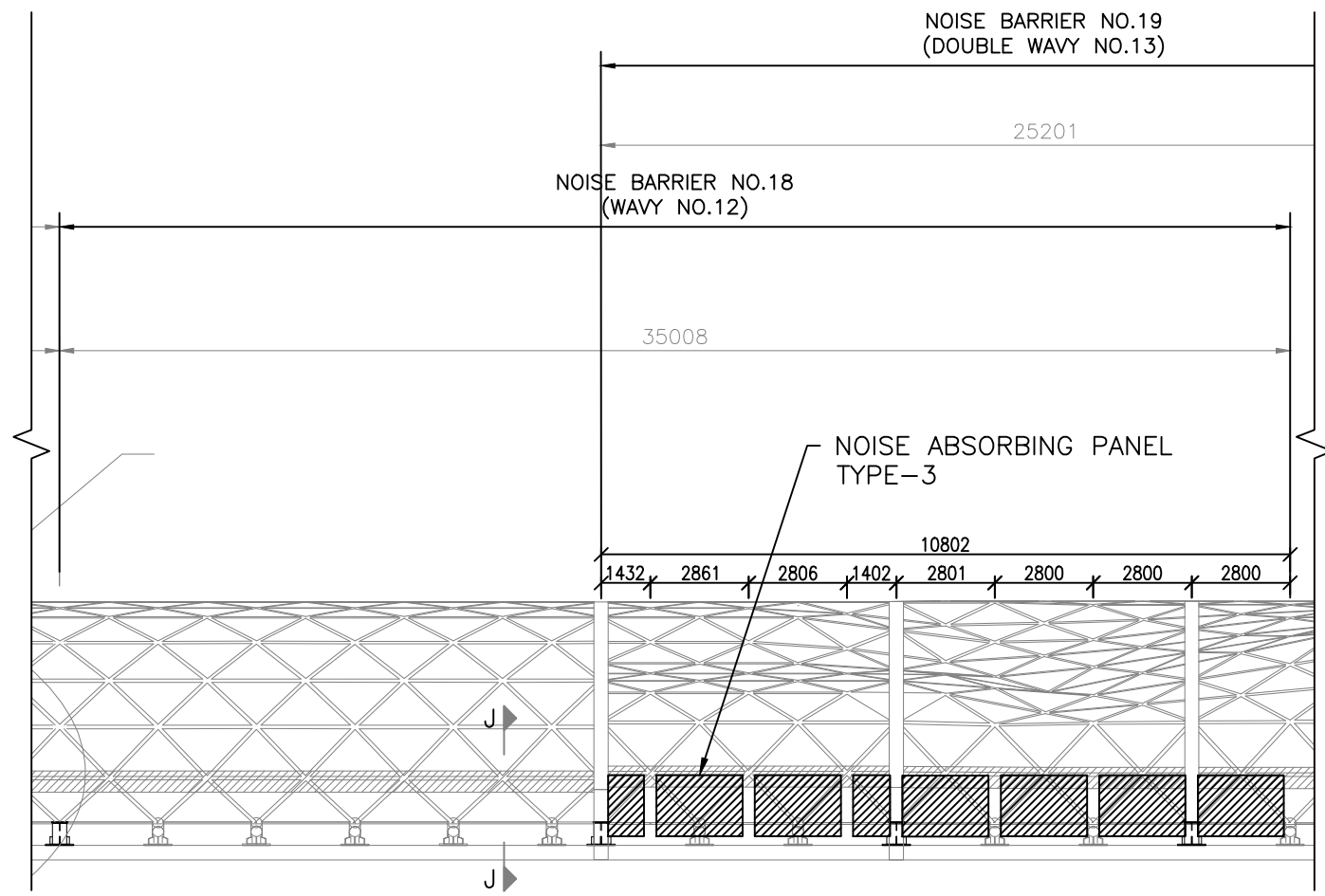
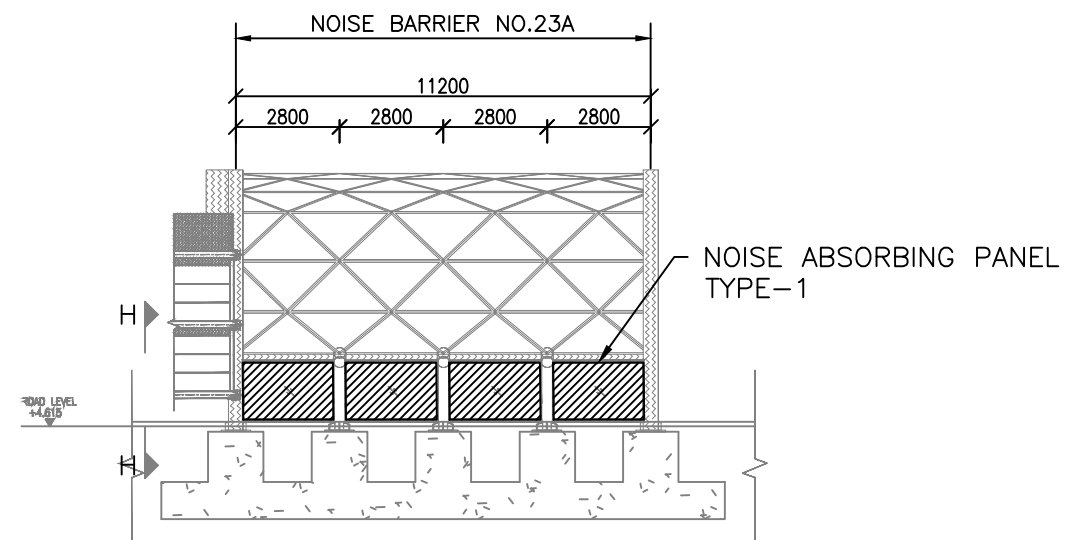
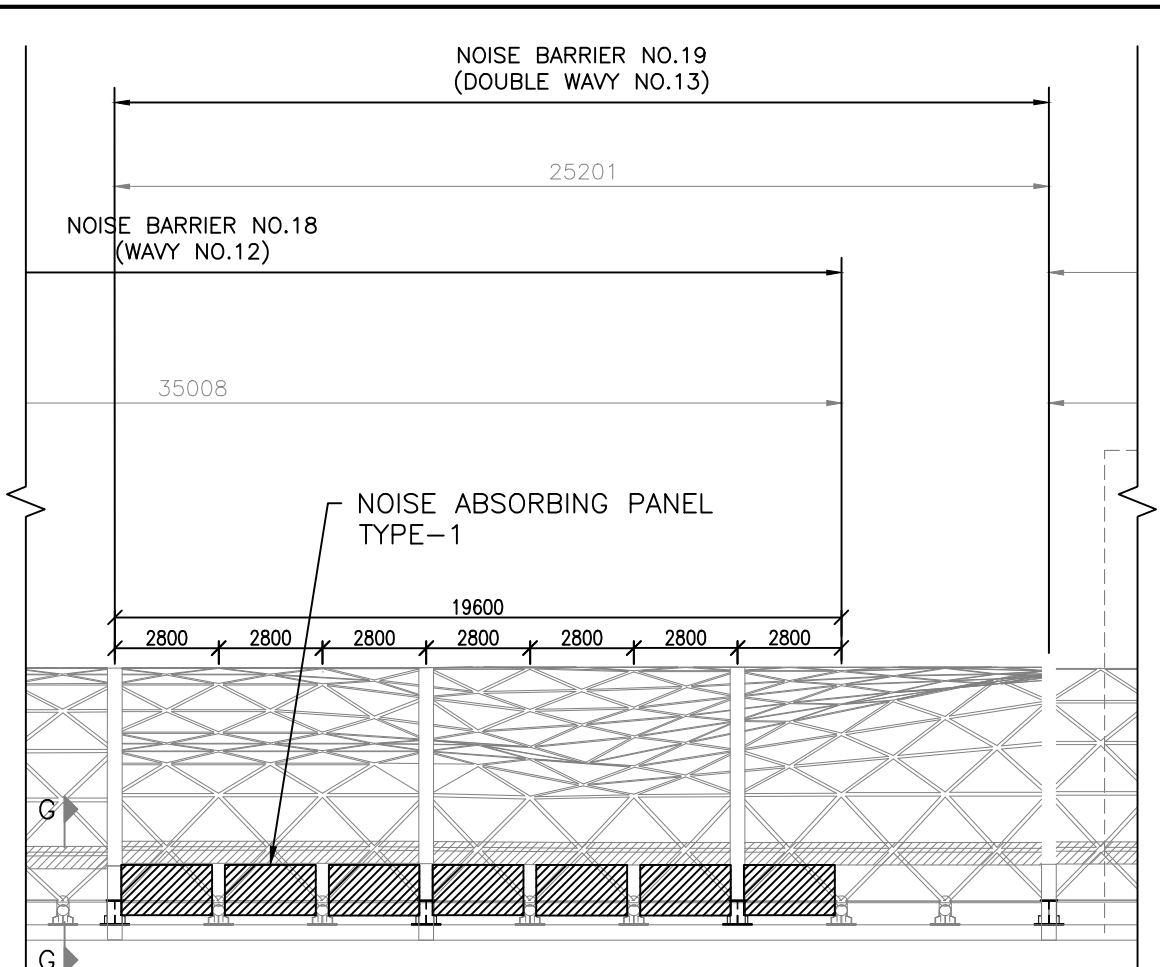


SECTION X1-X1
1 : 50



SECTION Y1-Y1
1 : 50

AS-BUILT DRAWING	AWL	02/20
Rev	Description	By Date
Supervising Officer		
AECOM		
Contractor		
CCC 大陸工程 捷富建築聯盟 GEG - CCC JOINT VENTURE		
Designer		
WSP PARSONS BRINCKERHOFF		
Architect		
A.LEAD architects ltd. 樓建建築師事務所有限公司		
Noise Barrier Works Sub-contractor		
ACTIVE WAY LTD 愛達威有限公司		
Contract Title		
CONTRACT NO. KL/2014/01 KAI TAK DEVELOPMENT - STAGE 2 INFRASTRUCTURE WORKS FOR DEVELOPMENT AT THE SOUTHERN PART OF FORMER RUNWAY		
Drawing Title		
NOISE BARRIERS NB38 & NB39 (FOR REMAINING SECTION)		
(SHEET 1 OF 5)		
Drawing No		
KL201401/NB/AB/3701		
Drawn	Date	Checked / Approved
AWL	2020	AM / HC
Scale	AS SHOWN	Status
		AS-BUILT DRAWING
COPYRIGHT RESERVED		
土木工程師展覽 CIVIL ENGINEERING AND DEVELOPMENT DEPARTMENT 九龍拓展處 KOWLOON DEVELOPMENT OFFICE		



- NOTES.**
- 1) THIS DRAWING IS TO BE READ CONJUNCTION WITH DRAWING NO. KL201401/NB/AB/001, 002 AND 004 TO 007.
 - 2) ALL EXPOSURE OF ALUMINIUM WORK AND ABSORBING PANEL SHALL BE COATED WITH COLOUR OF RAL9003.
 - 3) FOR GENERAL NOTES, PLEASE REFER TO THE DRAWING NO. KL201401/NB/DDA/9051 IF APPLICABLE.

Rev	Description	By	Date
A	FORMAL SUBMISSION	TH	04/22
-	FIRST SUBMISSION	TH	11/21

Supervising Officer

Contractor

大隆工程·捷華建築聯營
CEC - CCC JOINT VENTURE

Designer

Architect

領建建築師事務所有限公司

Noise Barrier Works Sub-Contractor

愛達威有限公司

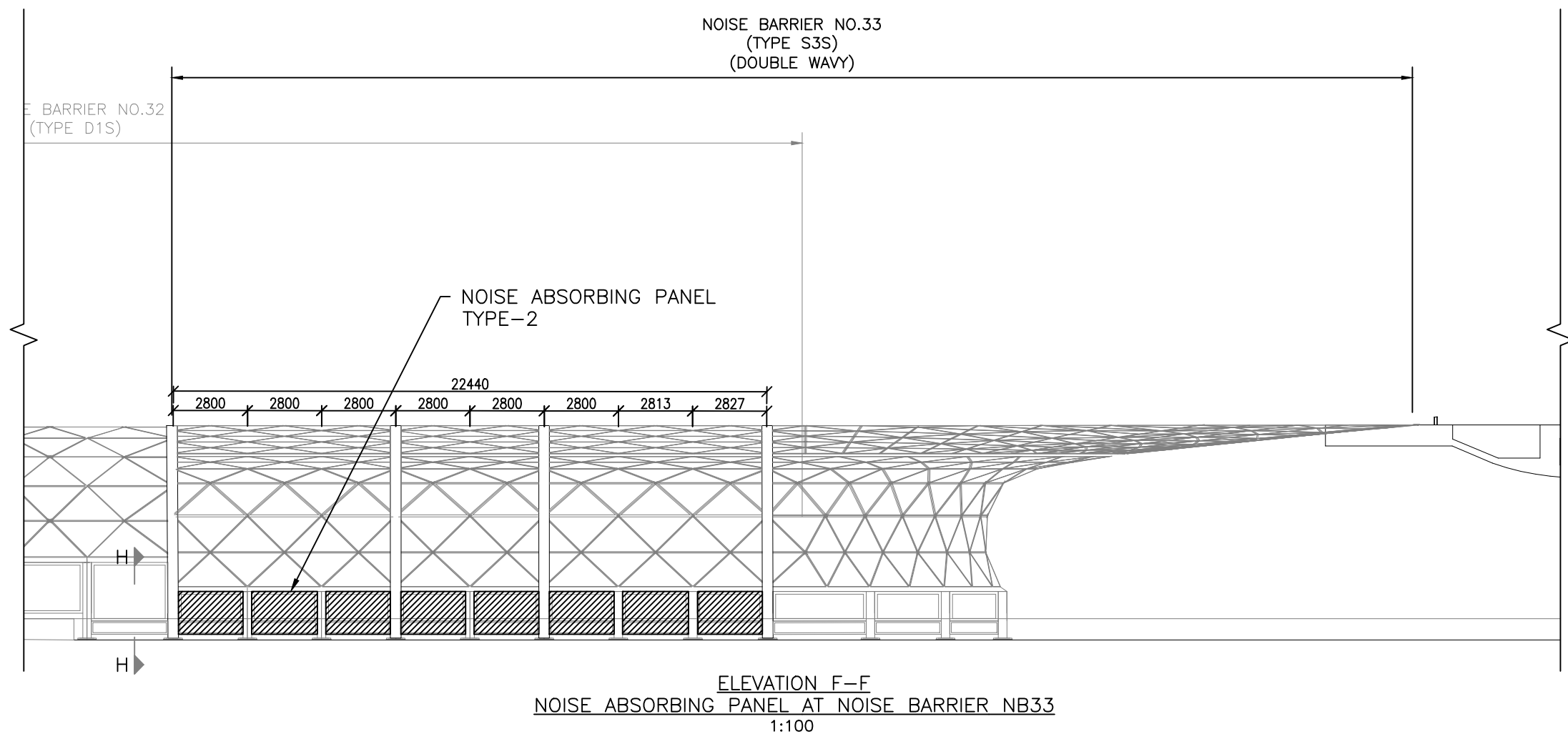
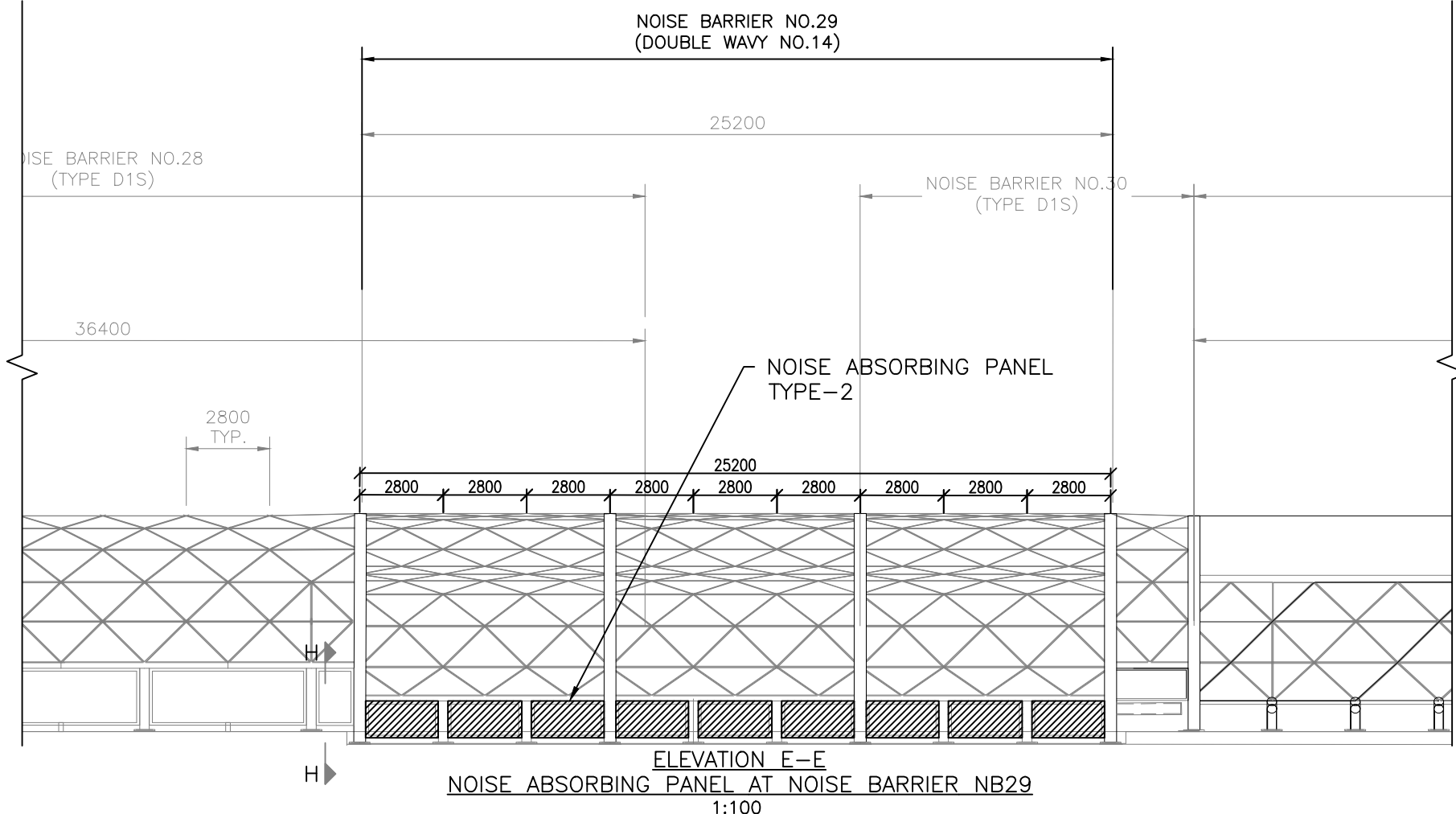
Contract title
CONTRACT NO. KL/2014/01
KAI TAK DEVELOPMENT - STAGE 2
INFRASTRUCTURE WORKS FOR
DEVELOPMENT AT THE SOUTHERN PART
OF FORMER RUNWAY

Drawing title
**ELEVATION VIEW
NOISE ABSORBING PANEL AT
NOISE BARRIER NB18, NB19,
NB23A & NB24**

Drawing no.	KL201401/NB/AB/003	Rev.	A
Drawn	TH	Date	2021
Checked	-	Approved	YC
Scale	AS SHOWN	Status	SHOP DRAWING

© COPYRIGHT RESERVED

土木工程發展署
CIVIL ENGINEERING AND DEVELOPMENT
DEPARTMENT
九龍發展處
KOWLOON DEVELOPMENT OFFICE



NOTES.

- 1) THIS DRAWING IS TO BE READ CONJUNCTION WITH DRAWING NO. KL201401/NB/AB/001 TO 003 AND 005 TO 007.
- 2) ALL EXPOSURE OF ALUMINIUM WORK AND ABSORBING PANEL SHALL BE COATED WITH COLOUR OF RAL9003.
- 3) FOR GENERAL NOTES, PLEASE REFER TO THE DRAWING NO. KL201401/NB/DDA/9051 IF APPLICABLE.

Rev	Description	By	Date
A	FORMAL SUBMISSION	TH	04/22
-	FIRST SUBMISSION	TH	11/21

Supervising Officer

AECOM

Contractor

CCC 大陸工程·捷華建築聯營
CEC - CCG JOINT VENTURE

Designer

WSP | PARSONS BRINCKERHOFF

Architect

A.LEAD architects ltd. 領建建築師事務所有限公司
ADI

Noise Barrier Works Sub-Contractor

ACTIVE WAY LTD 愛達威有限公司

Contract title

CONTRACT NO. KL/2014/01
KAI TAK DEVELOPMENT - STAGE 2
INFRASTRUCTURE WORKS FOR
DEVELOPMENT AT THE SOUTHERN PART
OF FORMER RUNWAY

Drawing title

ELEVATION VIEW
NOISE ABSORBING PANEL AT
NOISE BARRIER NB29 & NB33

Drawing no.	KL201401/NB/AB/004	Rev.	A
Drawn	TH	Date	2021
Checked	-	Approved	YC
Scale	AS SHOWN	Status	SHOP DRAWING

© COPYRIGHT RESERVED

土木工程發展署
CIVIL ENGINEERING AND DEVELOPMENT
DEPARTMENT
九龍發展處
KOWLOON DEVELOPMENT OFFICE