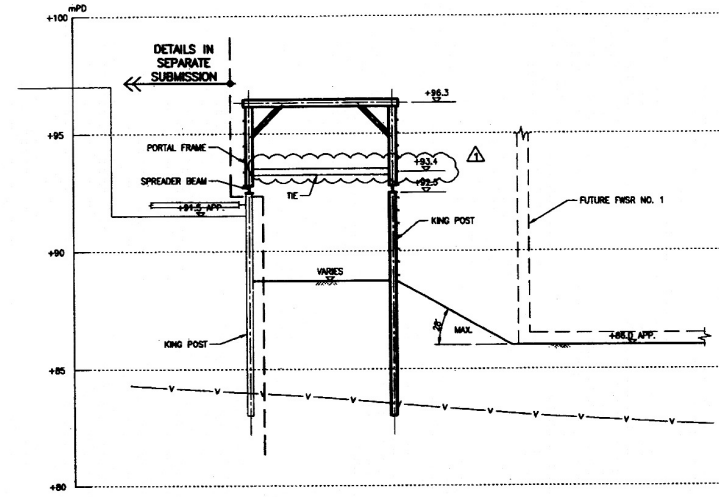
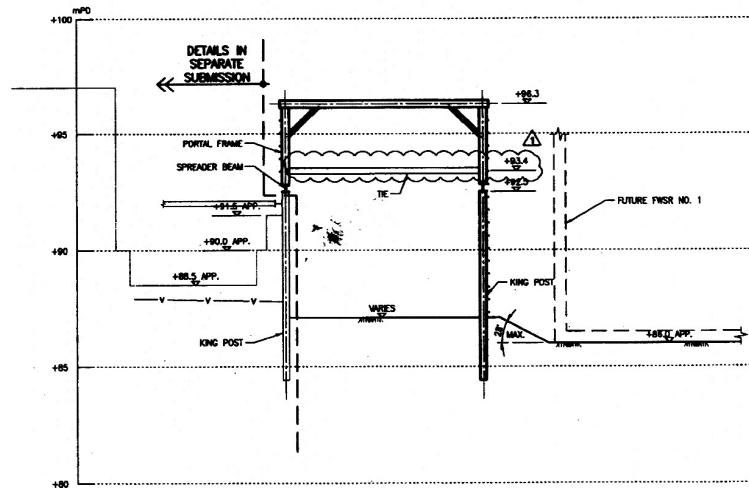


Section C - C
切面圖 C - C



Section D - D
切面圖 D - D



Section E - E / 切面圖 E - E



Project Title: Reprovisioning and Upgrading of Salt Water Service Reservoirs in Western District for Water Supplies Department

工程項目名稱：為水務署重置及改善西區海水配水庫

Further Environmental Permit No. : FEP-01/279/2007
新的環境許可證編號 : FEP-01/279/2007

Figure 3e : Noise Enclosure Design Plan - Salt Water Storage Tunnels Portal Noise Enclosure and External Works Sections

圖 3e : 隔音罩設計圖 - 海水儲水隧道口隔音罩及外部工程切面圖

This figure was prepared based on Noise Enclosure Design Plan provided under condition 2.7
本圖是根據條件第 2.7 項提交的隔音罩設計圖編制