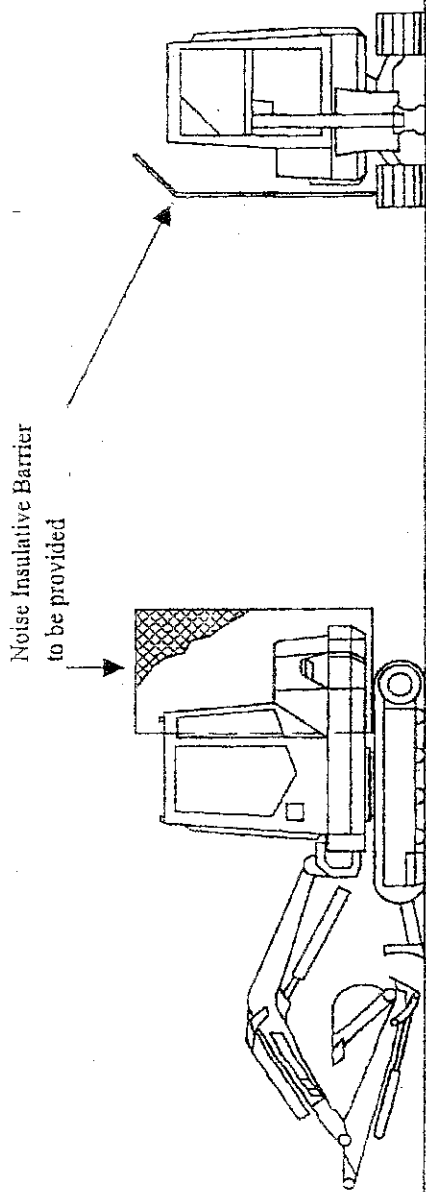




**Figure 2(e)**  
**Noise Barrier on Excavator**  
 Extracted from MTRC's Contractor  
 (Kumagai Gumi Co., Ltd)  
 Addendum to submission for  
 VEP Application No. VEP-072/2002



 <b>地緯公司</b> MTR CORPORATION <small>100 HONG KONG AVENUE, HONG KONG</small>		 <b>KUMAGAI GUMI CO., LTD.</b> <small>1-1-1, HONJO, CHUO-KU, TOKYO 102, JAPAN</small>		<b>TST/MOK/KOT STATION          ENHANCEMENT PROJECT</b> CONTRACT: CONTRACT 4420 TSM SHA TSUI STATION MODIFICATION		TITLE <b>NOISE INSULATIVE          BARRIER FIXED TO          EXCAVATOR ENGINE AREA          FROM WHICH NOISE IS          GENERATED</b>		SCALE DATE DRAWN CHECKED		AS SHOWN JAN 02 BILLY TY		CAD REF A/C ENG NO P/L APPROVED KA		A/C APPR DRAWING NO REV	
--	--	---	--	--	--	---	--	-----------------------------------	--	-----------------------------------	--	--	--	-------------------------------	--

