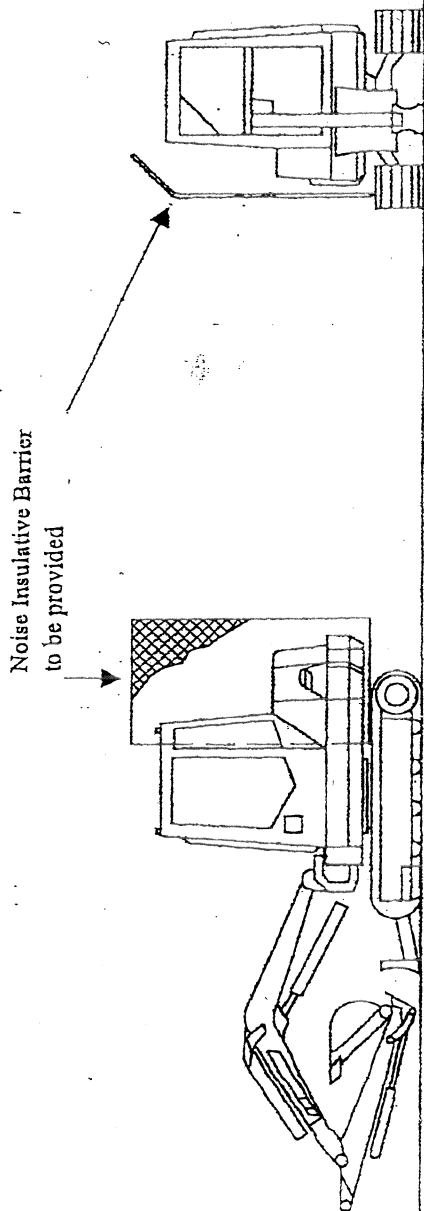




Figure 2(e)  
 Noise Barrier on Excavator  
 Extracted from MTRC's Contractor  
 (Kumagai Gumi Co., Ltd)  
 Addendum to submission for  
 VEP Application No. VEP-072/2002



 MTR CORPORATION 地鐵公司 7/F, 700, Nathan Road, Kowloon, Hong Kong TEL: 2462 7111	TST/MOK/KOT STATION ENHANCEMENT PROJECT CONTRACT 4420 TSIM SHA TRUI STATION MODIFICATION	NOISE INSULATIVE BARRIER FIXED TO EXCAVATOR ENGINE AREA FROM WHICH NOISE IS GENERATED		SCALE	As shown	CAD REF	N/C APPR
		DATE	JAN 02	N/C DRG NO		DATE	
 KUMAGAI GUMI CO., LTD. 11/F, No. 100, Canton Road, Kowloon, Hong Kong TEL: 2462 7111	CONTRACT 4420 TSIM SHA TRUI STATION MODIFICATION			DESIGNED BY	BILLY	DESIGNER	
		CHECKED BY	TY	APPROVED BY	KA	DRAWING NO	REV