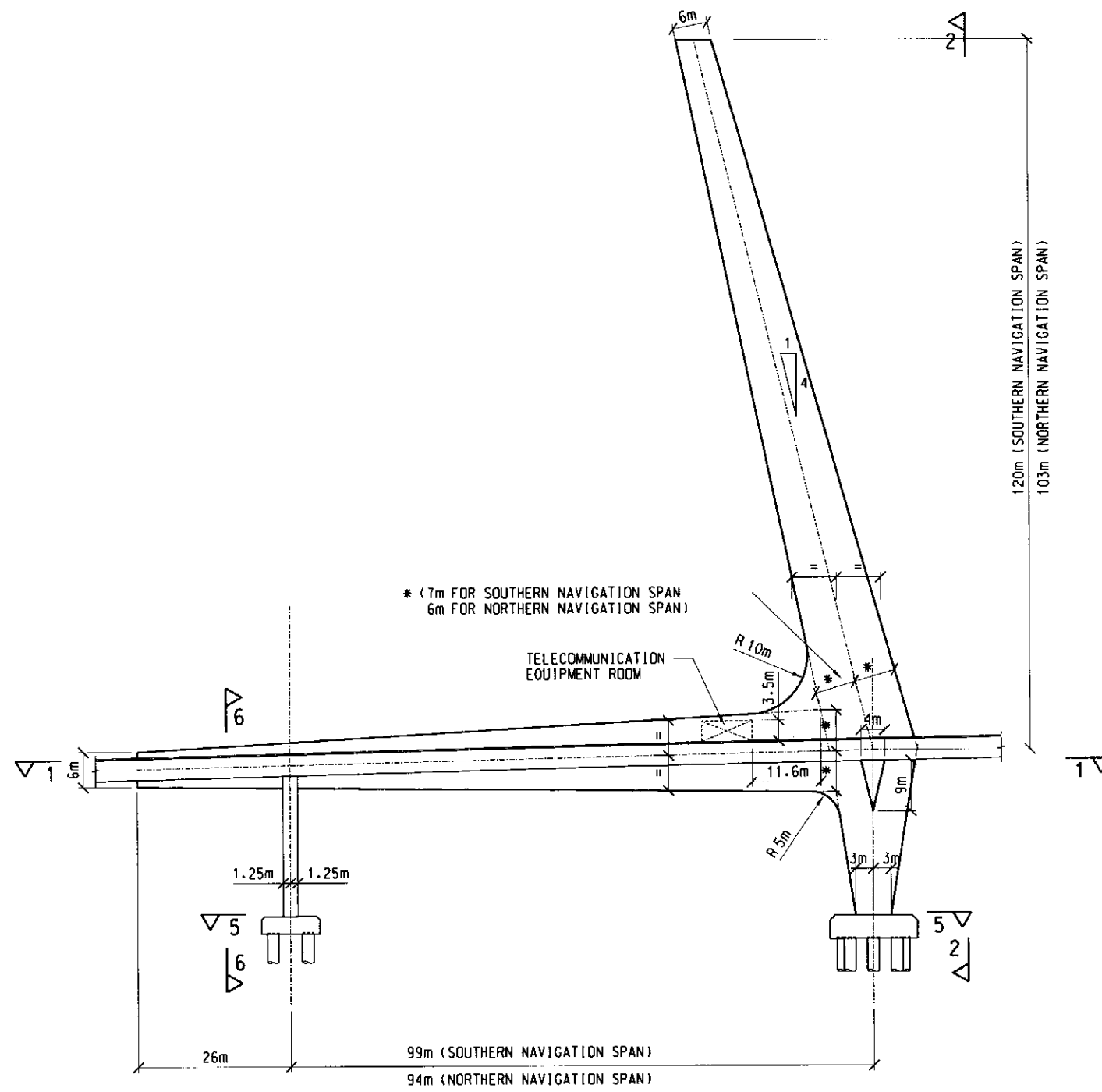
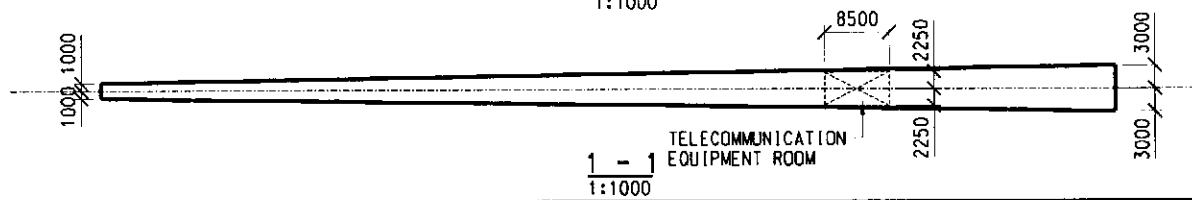
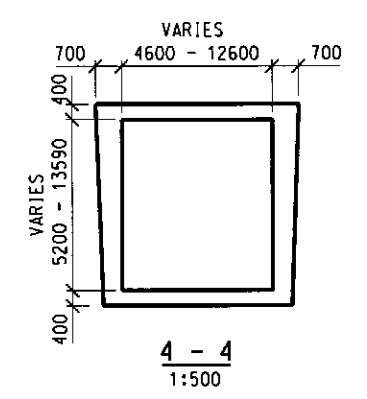
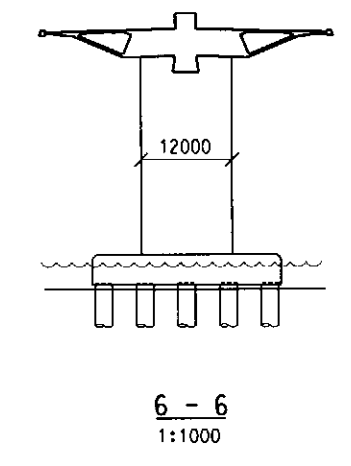
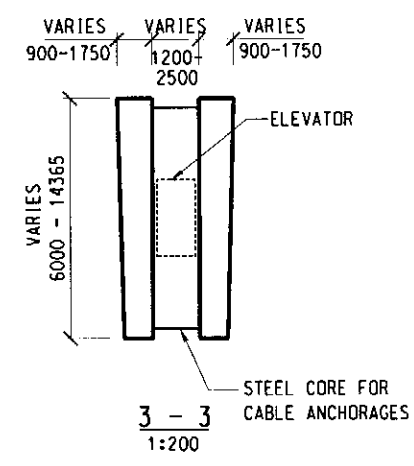
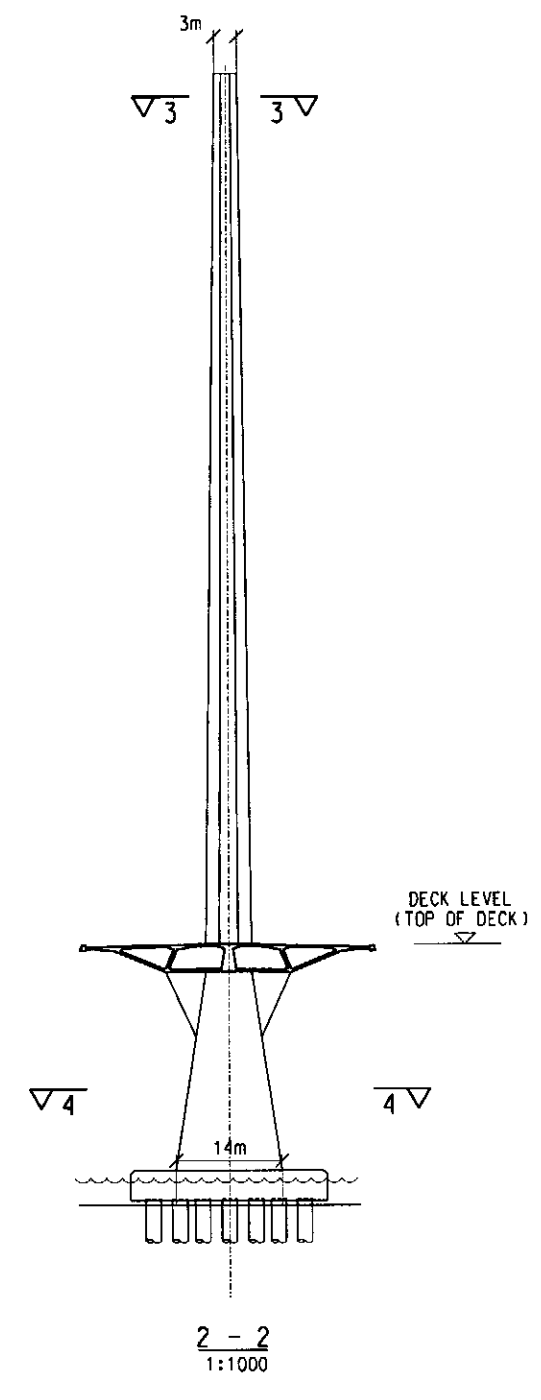
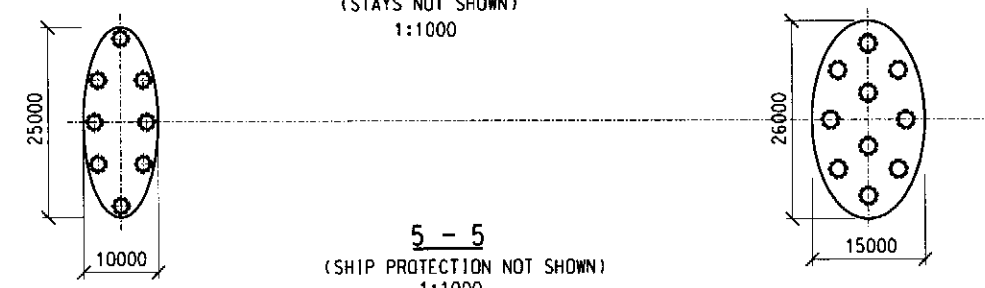


NOTE : 1. DIMENSIONS SHOWN ARE INDICATIVE ONLY.
 2. ALL DIMENSIONS ARE IN MILLIMETER, UNLESS OTHERWISE STATED



ELEVATION
 (STAYS NOT SHOWN)
 1:1000



Printer by : Tai
 Filename : I:\oad28\dgn-lwg\fig13-3.dgn

Designed By	LHE
Drawn By	EM
Checked By	LHE
In Charge	SYC
Date	APR 2002

路政署
HIGHWAYS DEPARTMENT
 主要工程管理处
 Major Works Project Management Office

Consultant
ARUP 奧雅納工程顧問
 Ove Arup & Partners Hong Kong Limited
 Supported by:
 Environmental Management Ltd.
 HKT Asia Pacific Ltd.
 Irbis Ltd.

Project Title
**Shenzhen Western Corridor
 Investigation & Planning**

Drawing Title
**MAIN SPANS -
 TOWER AND FOUNDATION**

Code	FIG-13-3.DGN	Code	APR 2002
Scale	AS SHOWN		
Drawing No.	FIGURE 13.3		
Drawing Status		Rev.	-