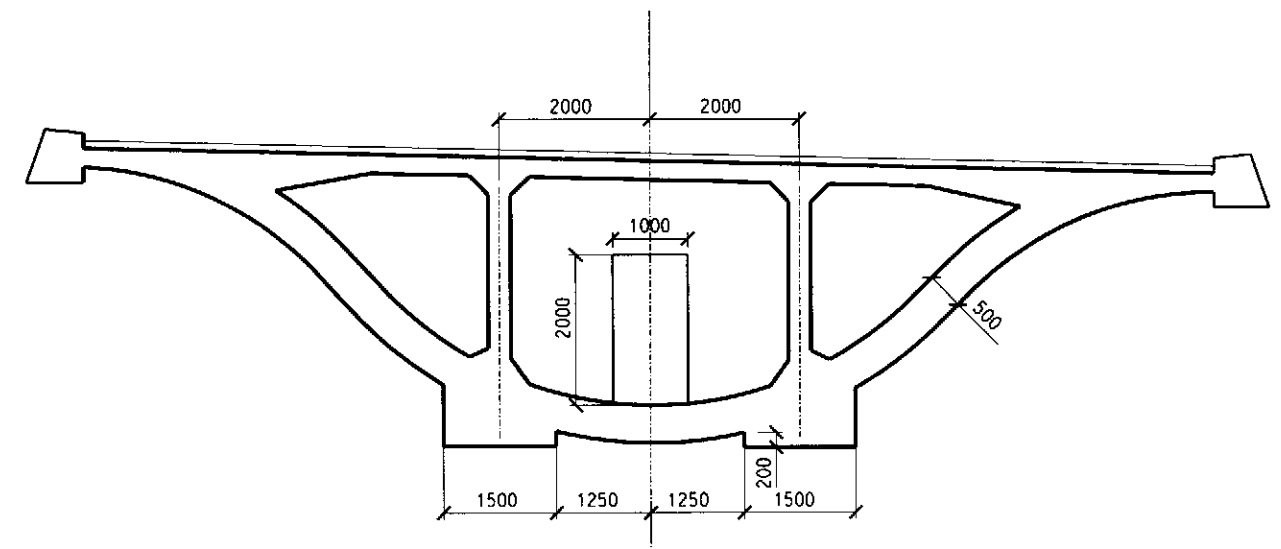


SECTION AT MID SPAN



SECTION AT PIER

NOTE : 1. DIMENSIONS SHOWN ARE INDICATIVE ONLY.
 2. ALL DIMENSIONS ARE IN MILLIMETER, UNLESS OTHERWISE STATED

Printer by : Tai
 File name : I:\0026\cgm-ivg\fig13-5.dgn

Mark	Date	By	Rev.

Designed By	AW
Drawn By	WM
Checked By	SK
In Charge	SYC
Date	APR 2002


路政署
HIGHWAYS DEPARTMENT
 主要工程管理处
 Major Works Project Management Office

Consultant
ARUP 奧雅納工程顧問
 Ove Arup & Partners Hong Kong Limited
 Supported by:
 Environmental Management Ltd. ○
 HKT Asia Pacific Ltd. ○
 Urbis Ltd. ●

Project Title
Shenzhen Western Corridor
Investigation & Planning

Drawing Title
TYPICAL SPANS -
BRIDGE DECK

Code Filename	FIG13-S.DGN	Code Date	APR 2002
Scale	1:100		
Drawing No.	FIGURE 13.5		
Drawing Status		Rev.	-