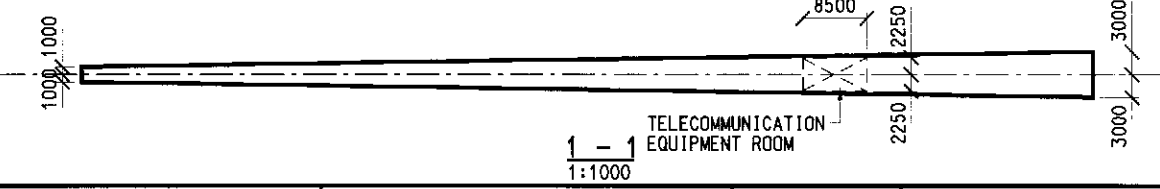
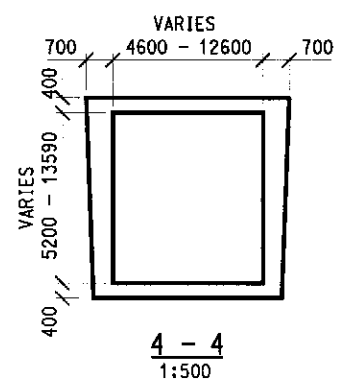
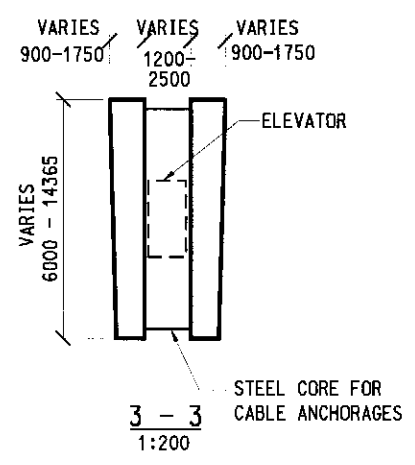
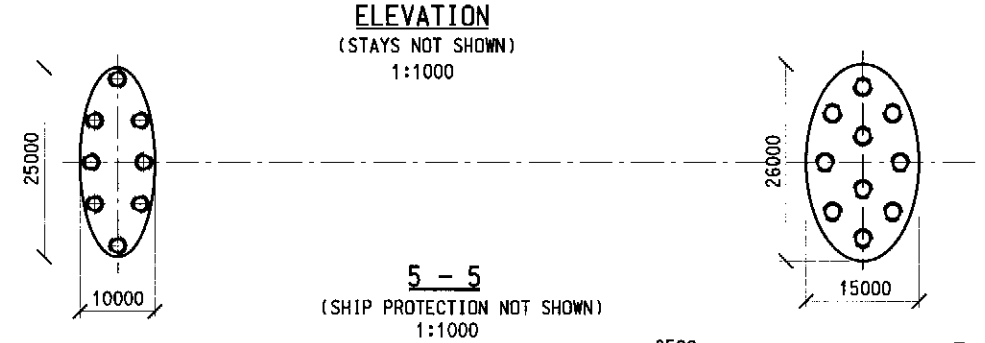
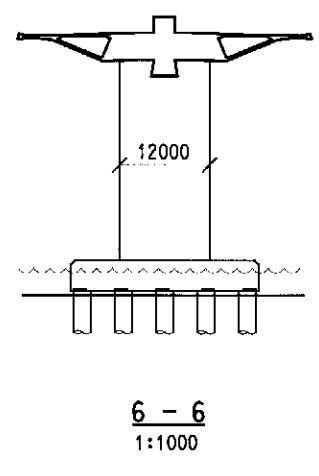
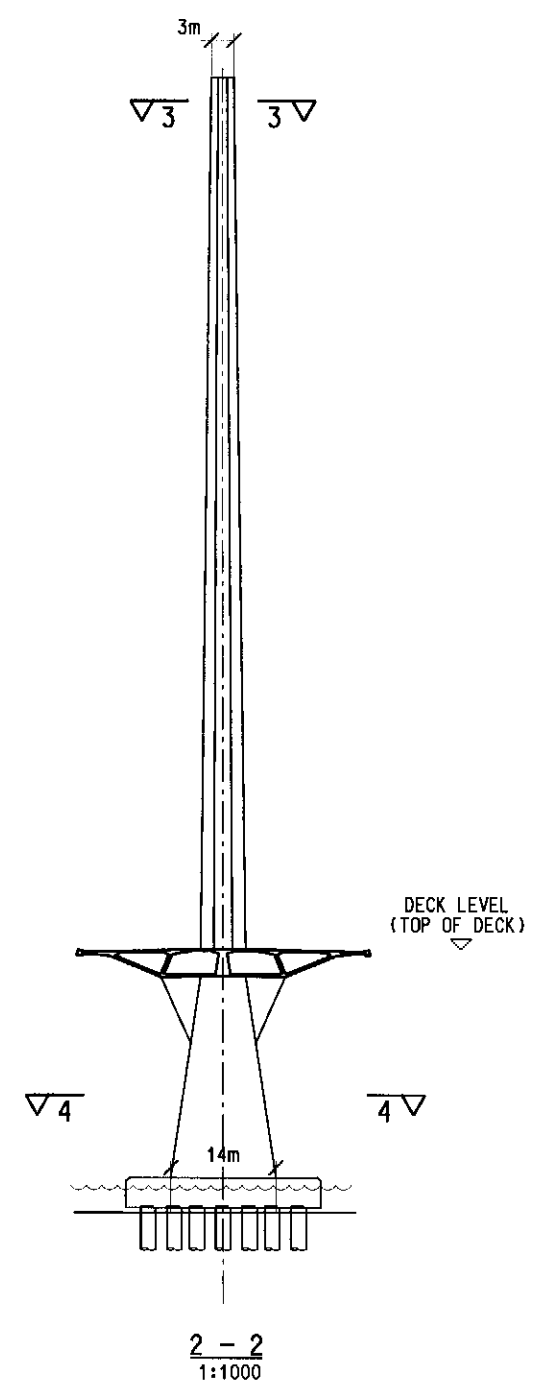
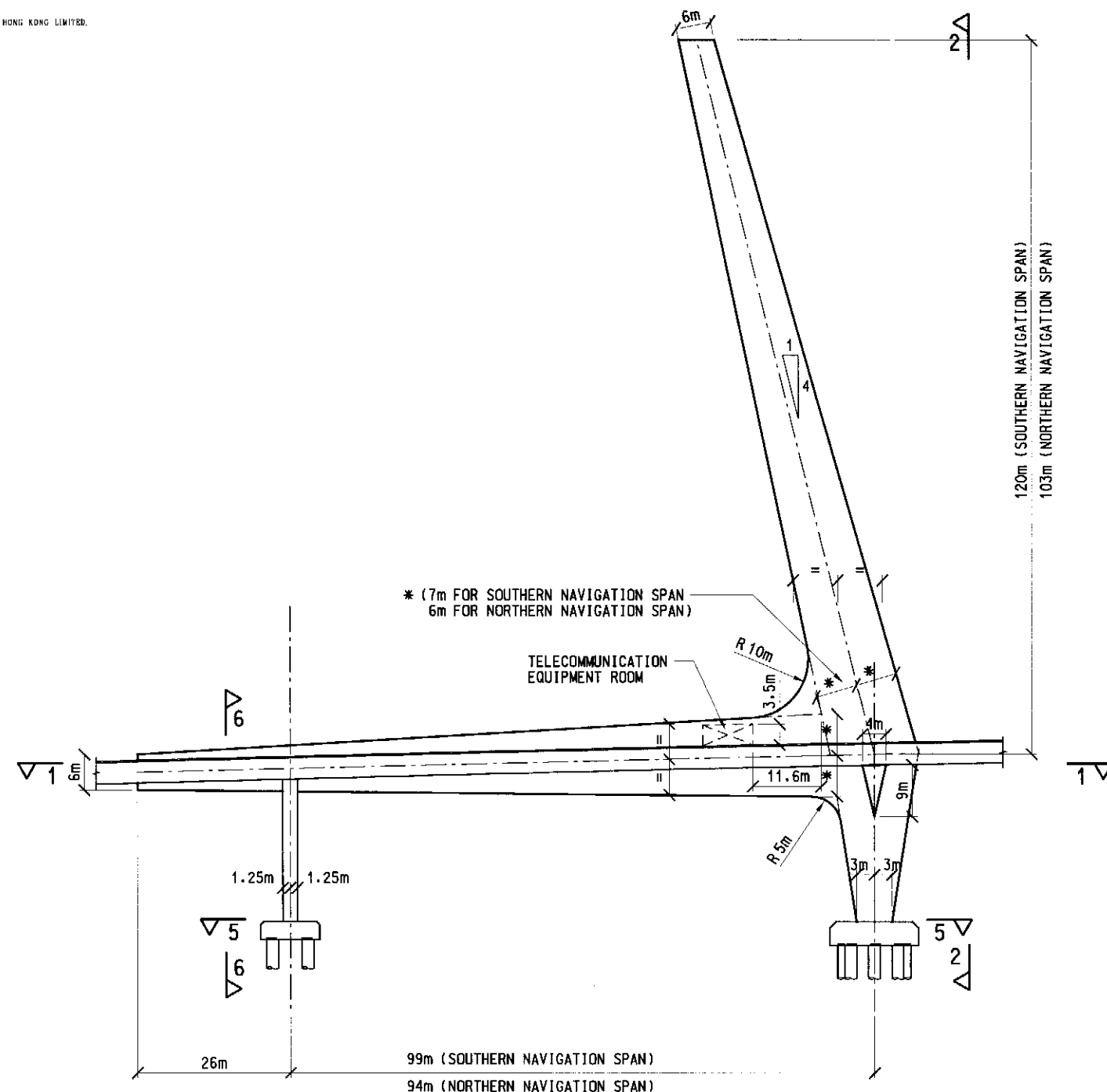


NOTE : 1. DIMENSIONS SHOWN ARE INDICATIVE ONLY.
 2. ALL DIMENSIONS ARE IN MILLIMETER, UNLESS OTHERWISE STATED



Printer by : W.MAK
 File name : J:\233305\WORKING\Draft_Final EIA\fig-2-3.dgn

Mark	Date	By	Rev.

Designed By	LHE
Drawn By	EM
Checked By	LHE
In Charge	SYC
Date	OCT-01

路政署
HIGHWAYS DEPARTMENT
 主要工程管理處
 Major Works Project Management Office

Consultant
ARUP 奧雅納工程顧問
 Ove Arup & Partners Hong Kong Limited
 Supported By:
 Environmental Management Ltd.
 BMT Asia Pacific Ltd.
 Urbis Ltd.

Project Title
 Shenzhen Western Corridor
 Investigation & Planning

Drawing Title
**MAIN SPANS -
 TOWER AND FOUNDATION**

Cad File name	FIG-2-3	Cad Date	OCT 2001
Scale	1 : 1000		
Drawing No.	FIGURE 2.3		
Drawing Status		Rev.	