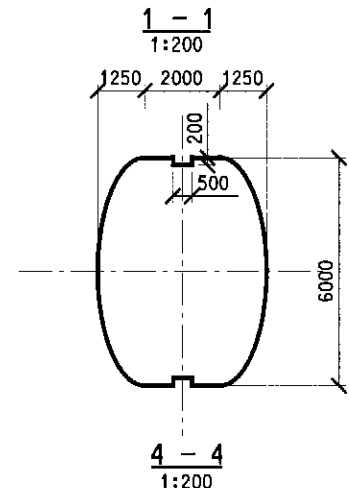
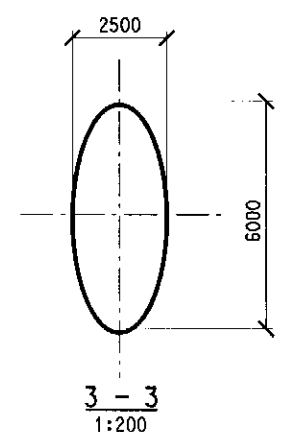
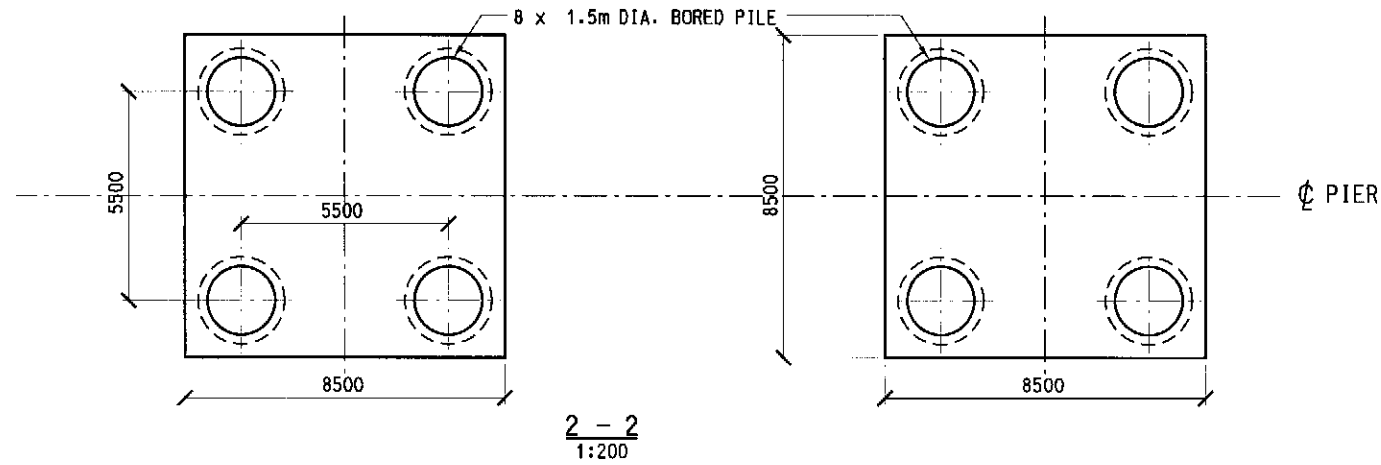


SECTION AT HIGH PIER GENERAL ARRANGEMENT
1:200

SECTION AT PIER WITH MOVABLE JOINT
1:200

SECTION AT FIXED PIER
1:200

SECTION AT EXPANSION JOINT PIER
1:200



NOTE : 1. DIMENSIONS SHOWN ARE INDICATIVE ONLY.
 2. ALL DIMENSIONS ARE IN MILLIMETER, UNLESS OTHERWISE STATED

Printer by : W.MAK
 File name : F:\23306\WORKING\Draft_Final\EA\fig-2-5.dgn

Mark	Date	By	Rev.

Designed By AW
Drawn By WM
Checked By SK
In Charge SYC
Date OCT 2001


路政署
HIGHWAYS DEPARTMENT
 主要工程管理處
 Major Works Project Management Office

Consultant
ARUP 奧雅納工程顧問
 Ove Arup & Partners Hong Kong Limited
 Supported By:
 Environmental Management Ltd. ○
 BMT Asia Pacific Ltd. ○
 Urbis Ltd. ○

Project Title
Shenzhen Western Corridor
 Investigation & Planning

Drawing Title
TYPICAL SPANS -
PIERS AND FOUNDATIONS

Cad Filename FIG-2-5	Cad Date OCT 2001
Scale 1:200	
Drawing No. FIGURE 2.5	
Drawing Status	Rev. -