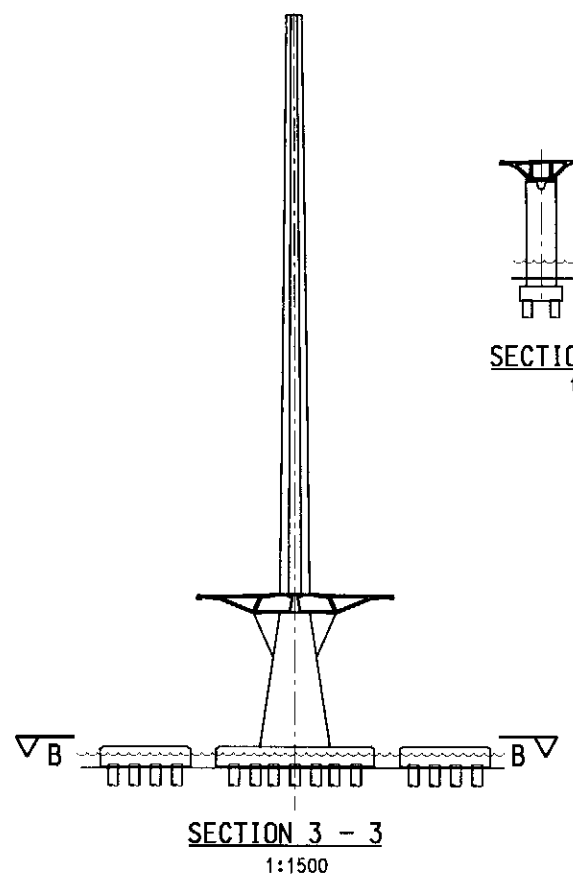


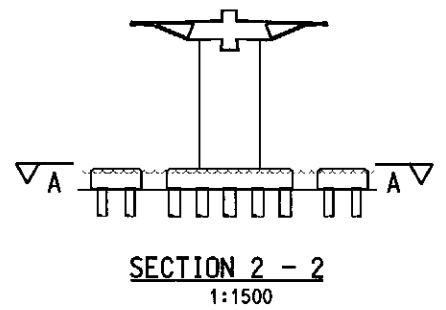
15 TYPICAL SPAN @74.585m

ELEVATION  
1:5000

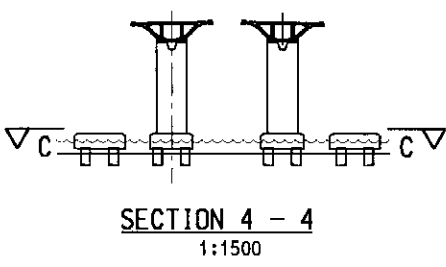
- LEGEND
- (E) EXPANSION JOINT PIER
  - (M) PIER WITH MOVABLE JOINT
  - (F) FIXED PIER



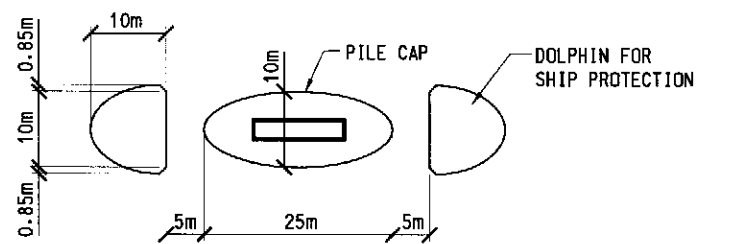
SECTION 1 - 1  
1:1500



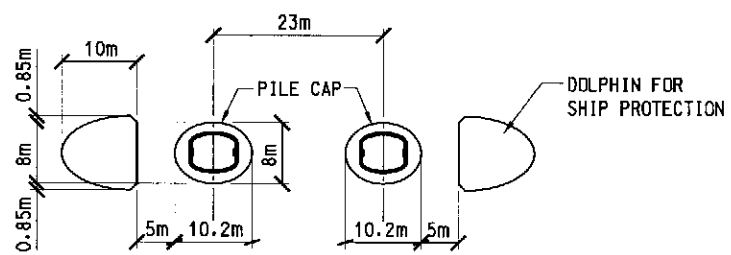
SECTION 2 - 2  
1:1500



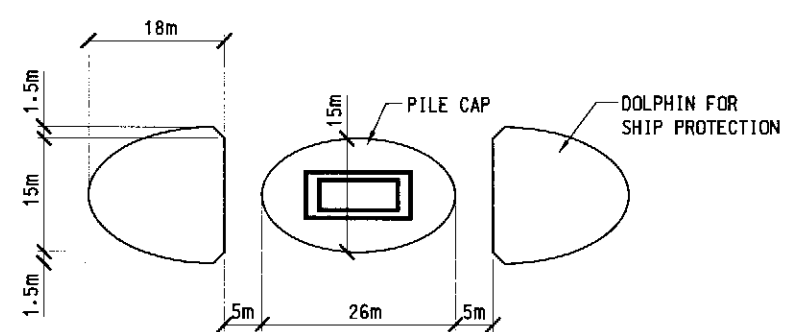
SECTION 4 - 4  
1:1500



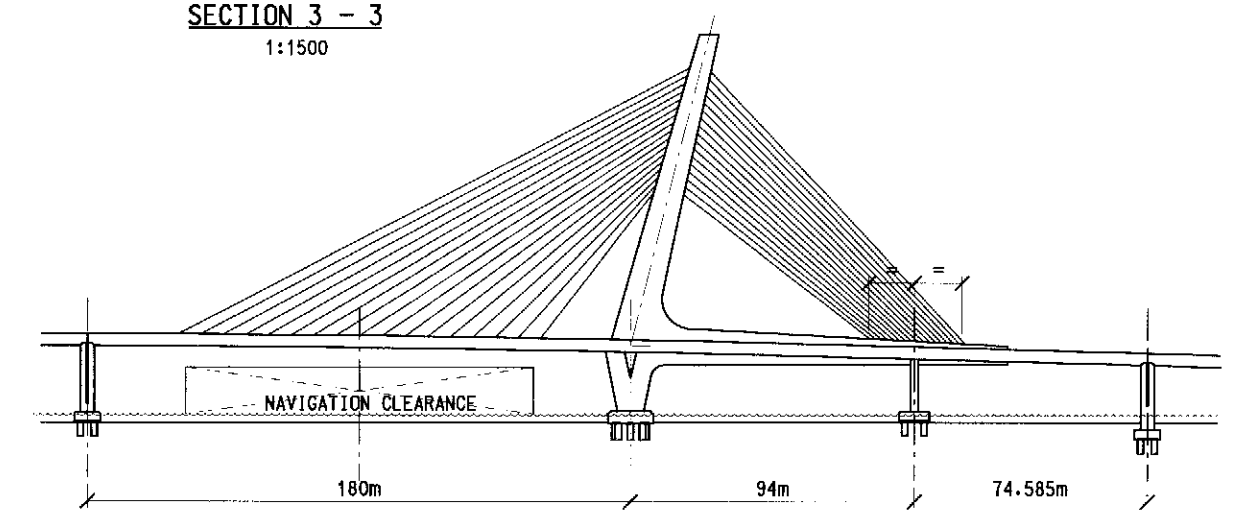
SECTION A - A  
1:1000



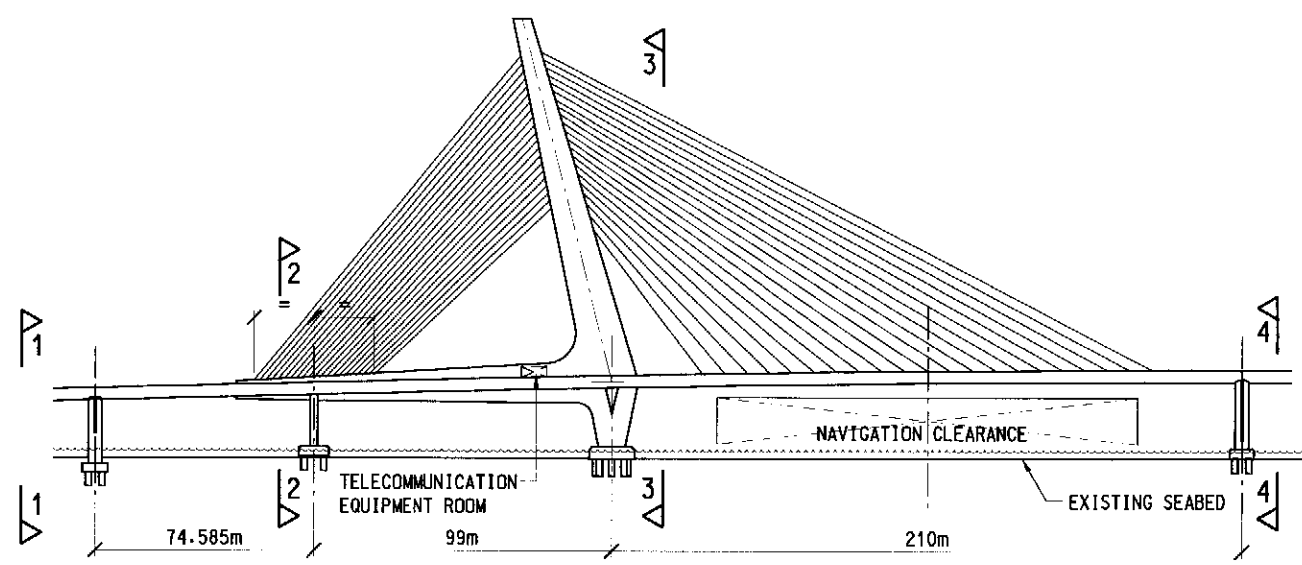
SECTION C - C  
1:1000



SECTION B - B  
1:1000



ELEVATION OF NORTHERN NAVIGATION SPAN  
1:2500



ELEVATION OF SOUTHERN NAVIGATION SPAN  
1:2500

NOTE : 1. DIMENSIONS SHOWN ARE INDICATIVE ONLY.  
 2. ALL DIMENSIONS ARE IN MILLIMETER, UNLESS OTHERWISE STATED

Printer by : W.MAK  
 File name : j:\23308\WORKING\Draft Final\EA\FIG-4.dgn  
 03/09/2002

Mark	Date	By	Rev.

Designed By	LHE
Drawn By	EM
Checked By	LHS
In Charge	SYC
Date	DCT-01

**路政署**  
**HIGHWAYS DEPARTMENT**  
 主要工程管理處  
 Major Works Project Management Office

Consultant  
**ARUP** 奧雅納工程顧問  
 Ove Arup & Partners Hong Kong Limited  
 Supported By:  
 Environmental Management Ltd. ○  
 BMT Asia Pacific Ltd. ○  
 Urbis Ltd. ○

Project Title  
**Shenzhen Western Corridor**  
 Investigation & Planning

Drawing Title  
**MAIN SPANS -**  
**GENERAL ARRANGEMENT**  
 (OPTION A & B)

Cad. File name	FIG-4-4	Cad. Date	DCT 2001
Scale	1:5000, 1:2500		
Drawing No.	FIGURE 4.4		
Drawing Status		Rev.	