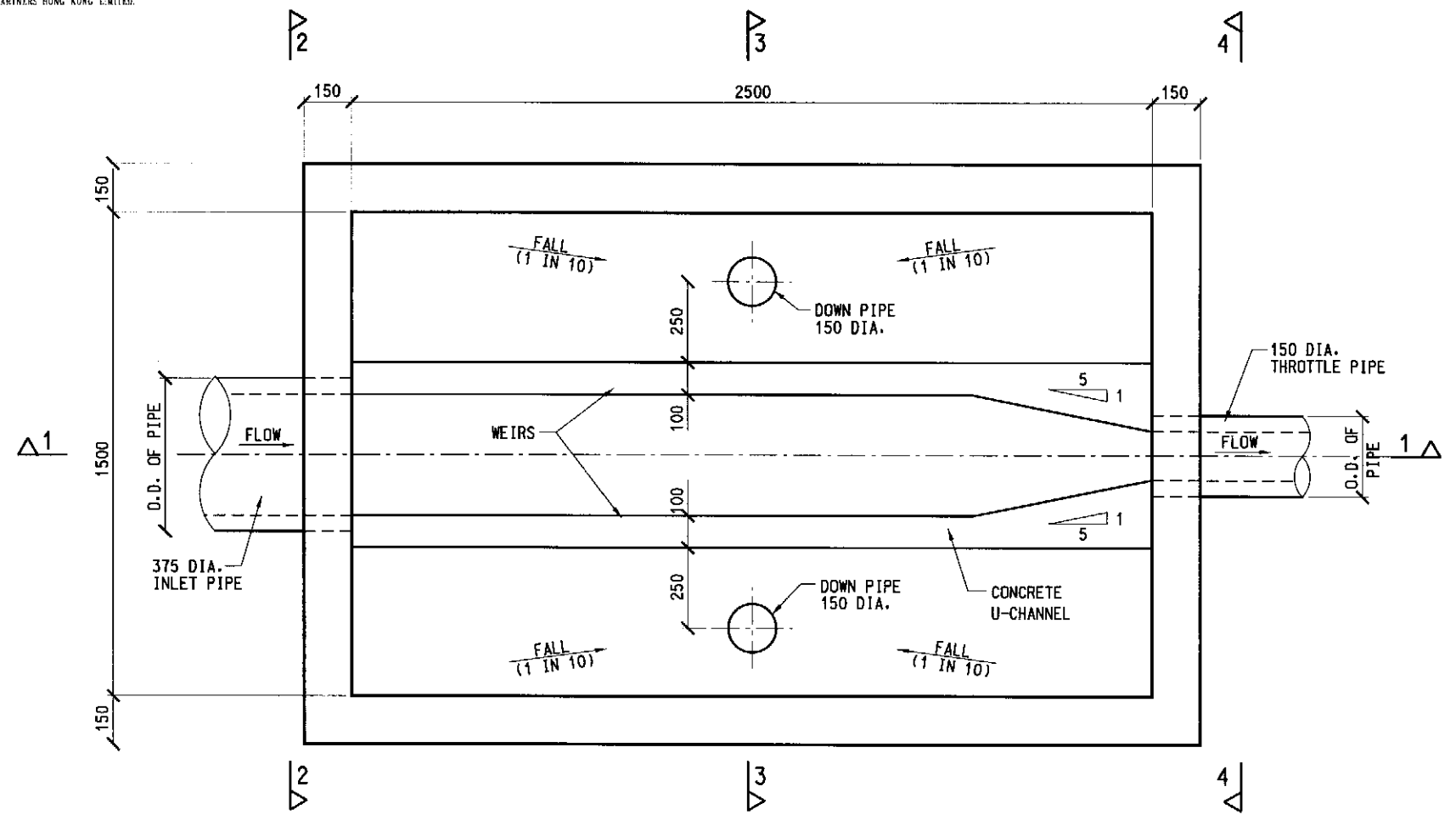
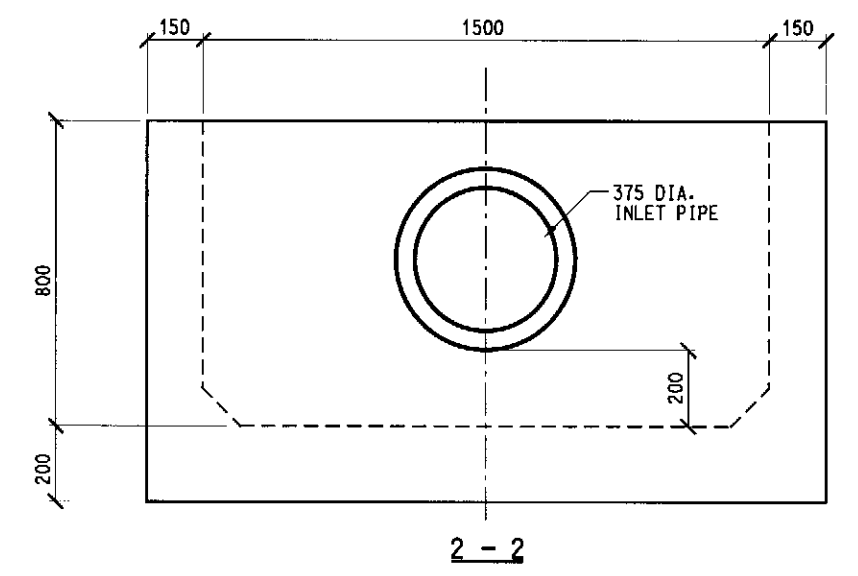


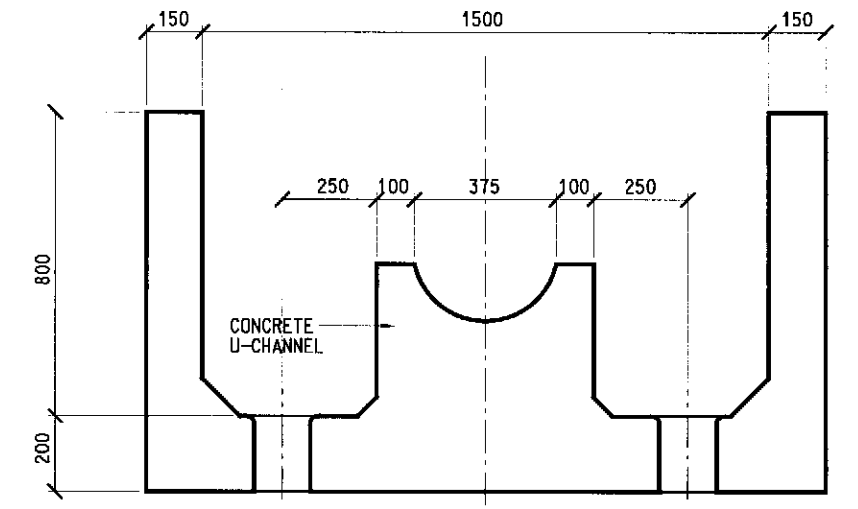
DO NOT SCALE DRAWING CHECK ALL DIMENSIONS ON SITE
 ALL RIGHTS RESERVED
 © OVE ARUP & PARTNERS HONG KONG LIMITED



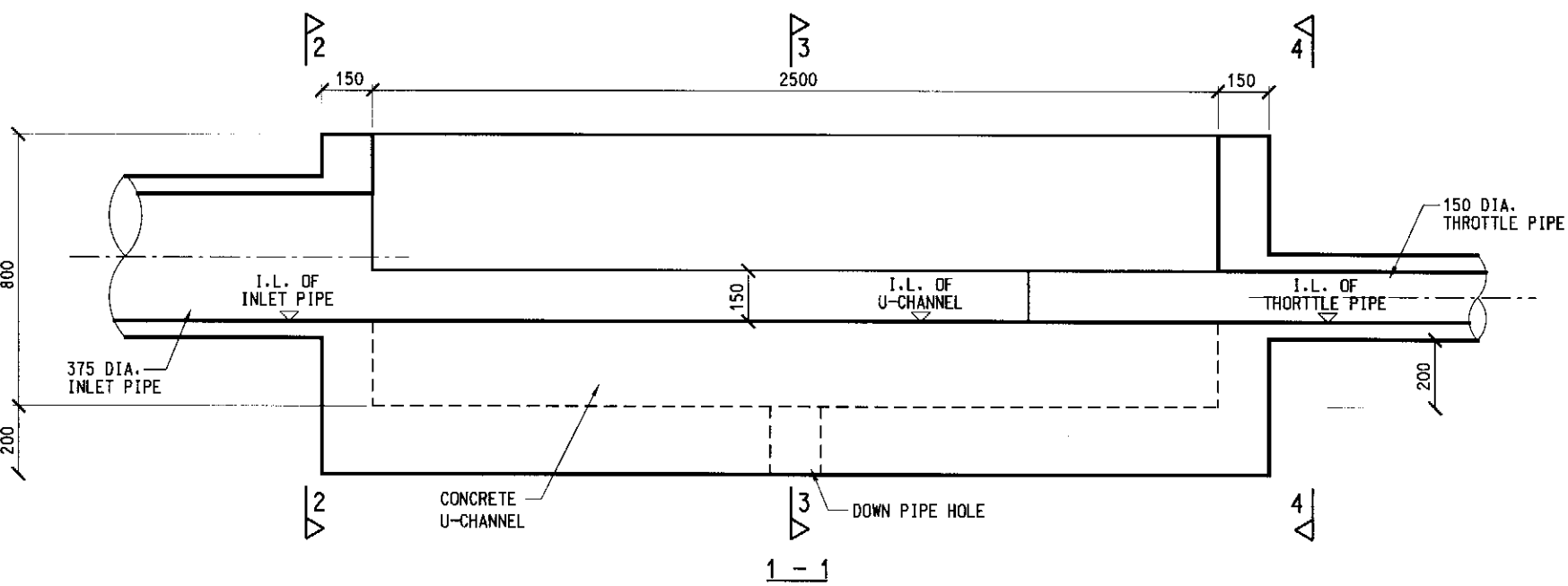
TOP PLAN OF OVERFLOW WEIR CHAMBER



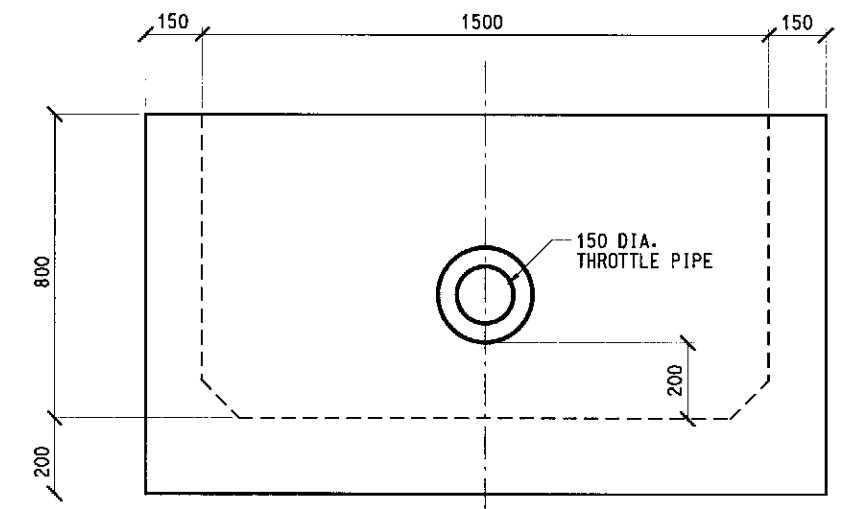
2-2



3-3



1-1



4-4

Printer by : W.MAK
 03/09/2002
 Filename : F:\23306\WORKING\Draft_Fin\EA\FIG-7-117.dgn

Mark	Date	By	Rev.

Designed By	VC
Drawn By	WM
Checked By	SGB
In Charge	SYC
Date	DEC 2001

HIGHWAYS DEPARTMENT
 路政署
 Major Works Project Management Office

Consultant
ARUP 奧雅納工程顧問
 Ove Arup & Partners Hong Kong Limited
 Supported By:
 Environmental Management Ltd. ○
 BMT Asia Pacific Ltd. ○
 Urbis Ltd. ○

Project Title
Shenzhen Western Corridor Investigation & Planning

Drawing Title
LAYOUT OF OVERFLOW WEIR CHAMBER

Cad Filename
 FIG-7-117
 Scale
 1:20
 Drawing No.
FIGURE 7.117
 Drawing Status
 Rev.
 -