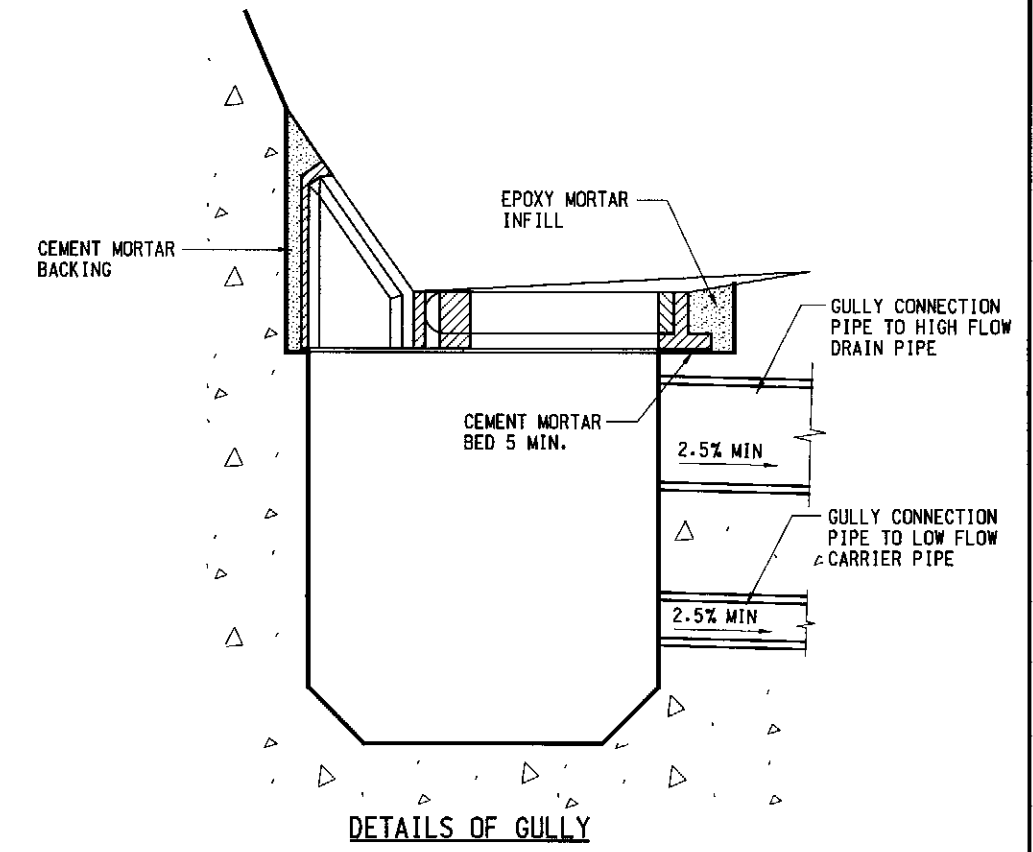
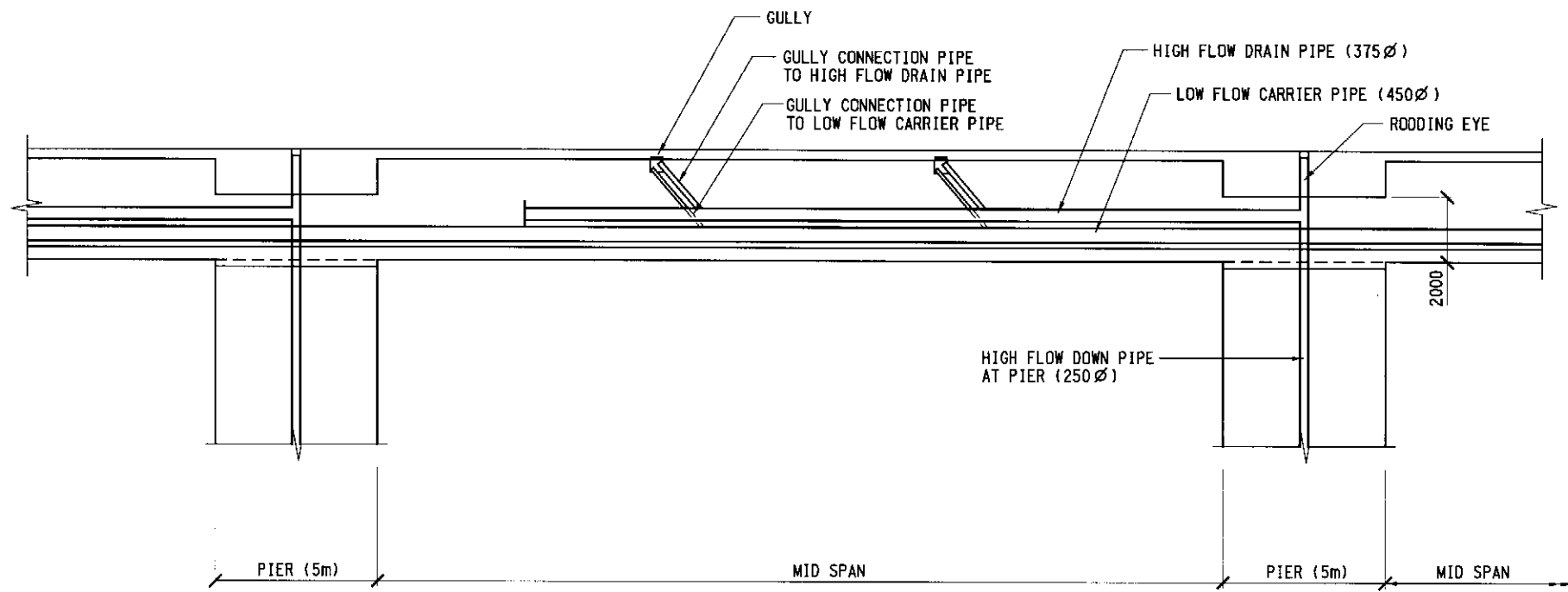


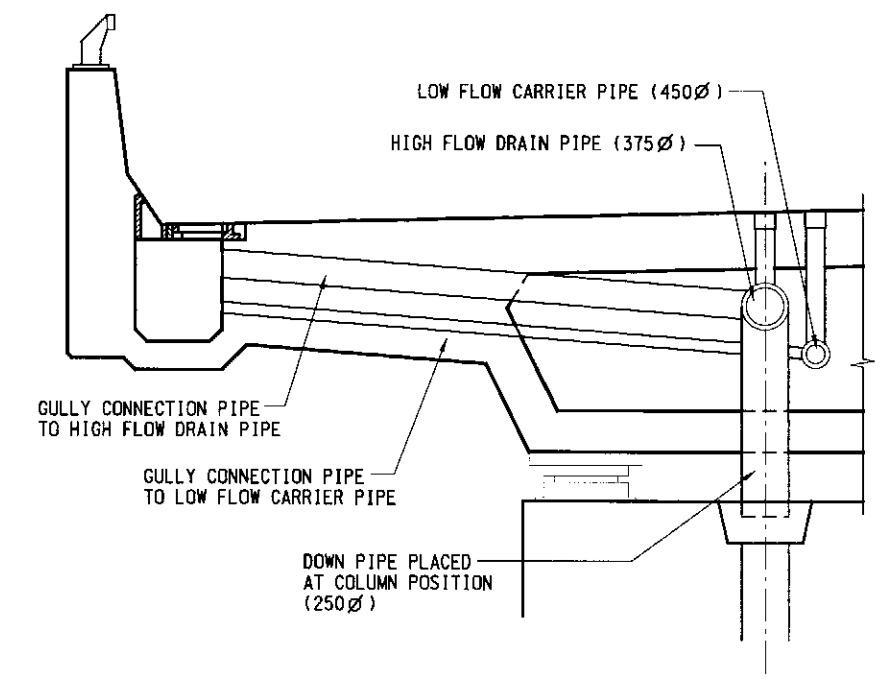
GENERAL LAYOUT OF DRAINAGE AT DECK LEVEL



DETAILS OF GULLY



ELEVATION



STORMWATER DRAINAGE INSTALLATION

Printer by : W.MAK 05/09/2002
 Filename : J:\23306\WORKING\Draft Final\FIG-7-119.dgn

Mark	Date	By	Rev.

Designed By	YC
Drawn By	WM
Checked By	SGB
In Charge	STC
Date	JAN 2002

路政署
HIGHWAYS DEPARTMENT
 主要工程管理处
 Major Works Project Management Office

Consultant
ARUP 奧雅納工程顧問
 Ove Arup & Partners Hong Kong Limited
 Supported By:
 Environmental Management Ltd. ○
 BMT Asia Pacific Ltd. ○
 Urbis Ltd. ○

Project Title
 Shenzhen Western Corridor
 Investigation & Planning

Drawing Title
INTERCEPTOR AT GULLY

Drawing No.	FIG-7-119
Scale	N.T.S.
Drawing Title	FIGURE 7.119
Drawing Status	
Rev.	