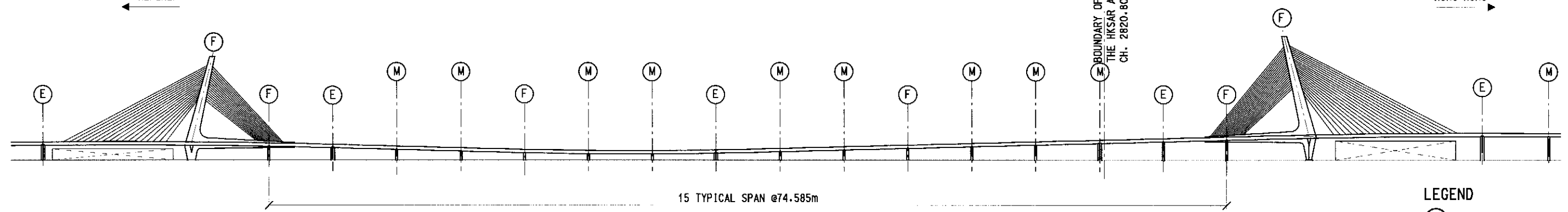


SHENZHEN ←

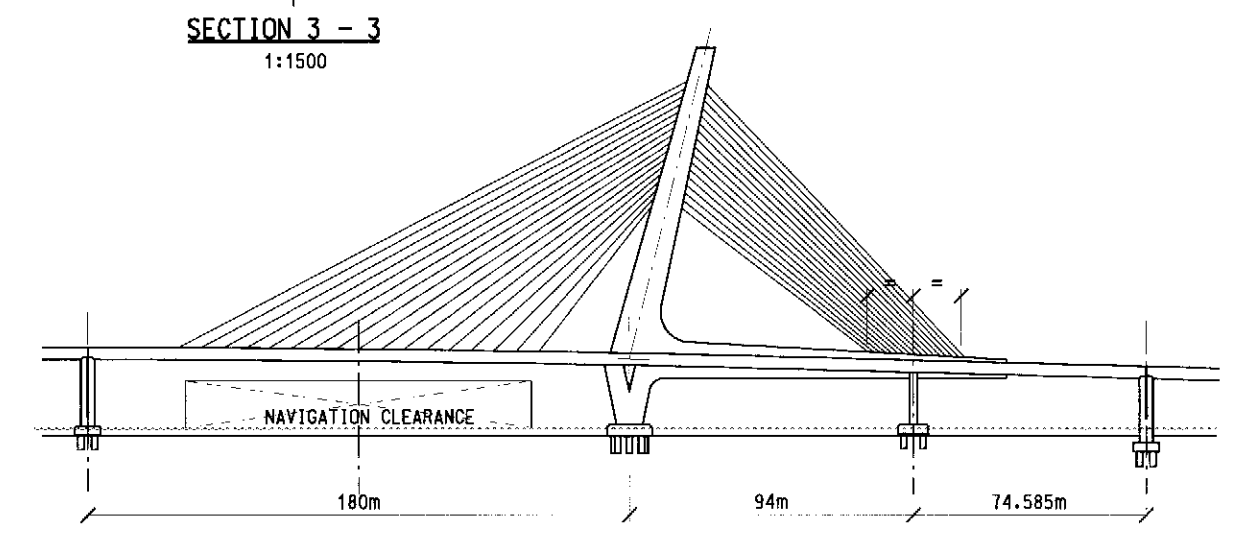
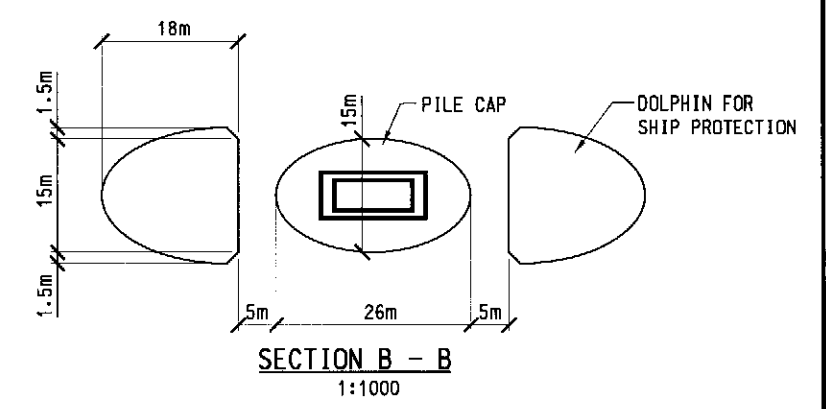
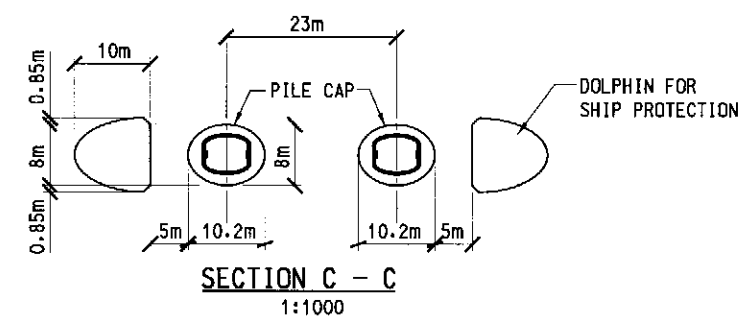
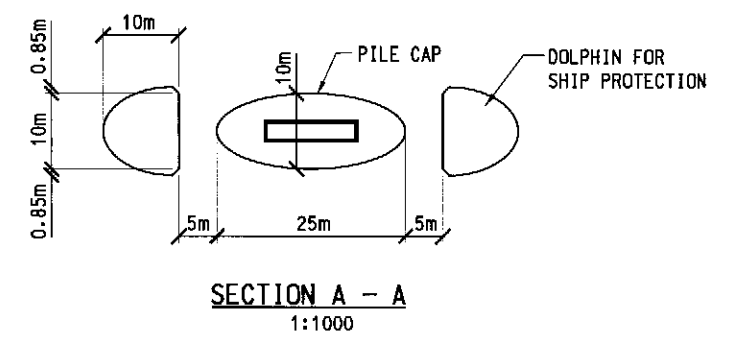
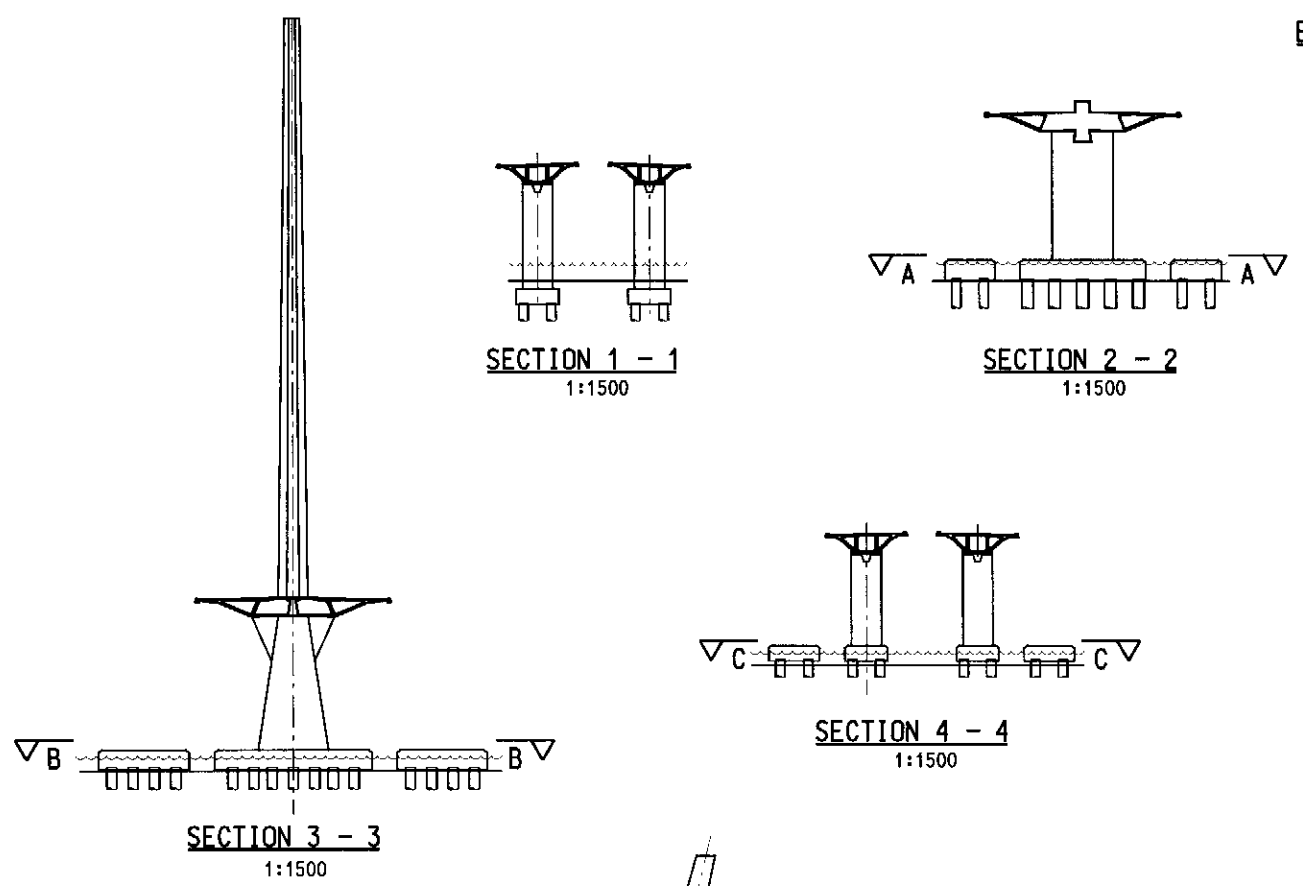
→ HONG KONG



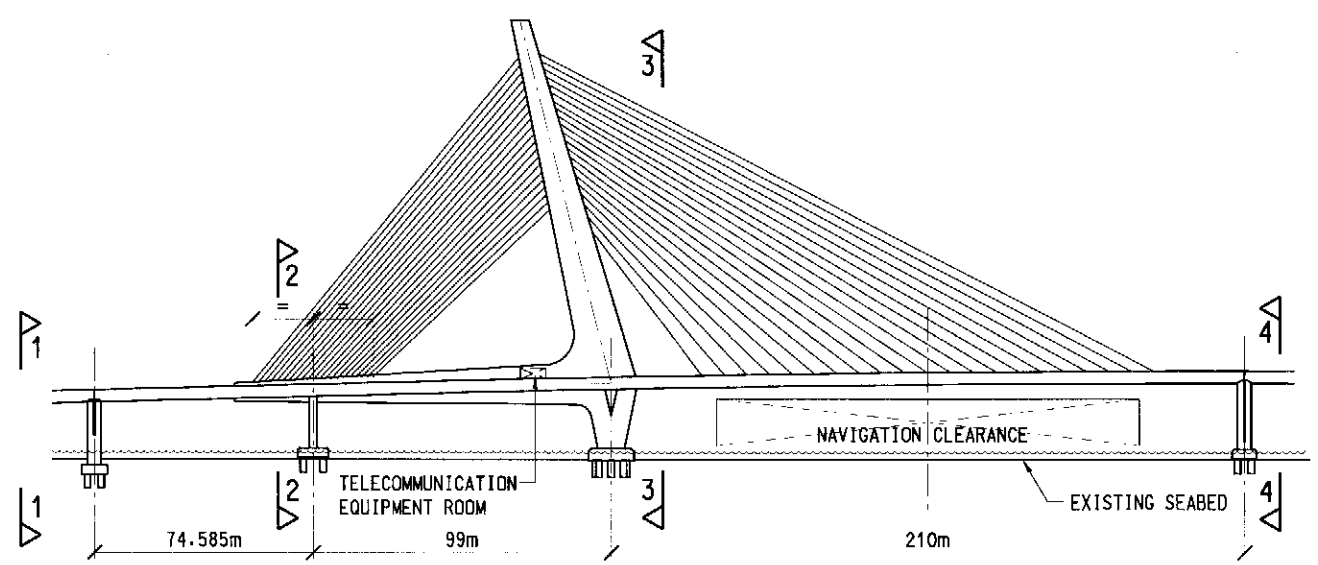
15 TYPICAL SPAN @74.585m

ELEVATION
1:5000

- LEGEND**
- (E) EXPANSION JOINT PIER
 - (M) PIER WITH MOVABLE JOINT
 - (F) FIXED PIER



ELEVATION OF NORTHERN NAVIGATION SPAN
1:2500



ELEVATION OF SOUTHERN NAVIGATION SPAN
1:2500

NOTE : 1. DIMENSIONS SHOWN ARE INDICATIVE ONLY.
 2. ALL DIMENSIONS ARE IN MILLIMETER, UNLESS OTHERWISE STATED

Printer by : W.MAK 03/09/2002
 Filename : I:\23306\WORKING\Draft_Final\EA\fig-7-14.dgn

Mark	Date	By	Rev.

Designed By LHE	路政署 HIGHWAYS DEPARTMENT 主要工程管理處 Major Works Project Management Office
Drawn By EM	
Checked By LHS	
In Charge SYC	
Date OCT-01	

Consultant	奧雅納工程顧問 Ove Arup & Partners Hong Kong Limited
Supported By:	Environmental Management Ltd. ○ BMT Asia Pacific Ltd. ○ Urbis Ltd. ○

Project Title	Shenzhen Western Corridor Investigation & Planning
---------------	--

Drawing Title	MAIN SPANS - GENERAL ARRANGEMENT
---------------	----------------------------------

Cod. File Name	FIG-7-14	Cod. Date	OCT 2001
Scale	1:5000, 1:2500		
Drawing No.	FIGURE 7.14		
Drawing Status		Rev.	