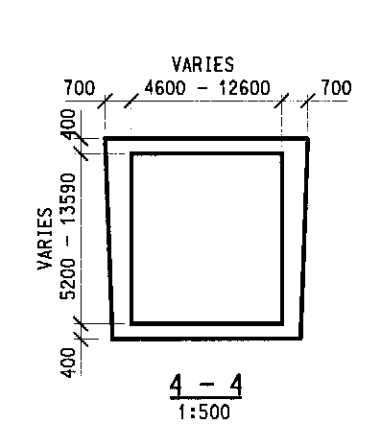
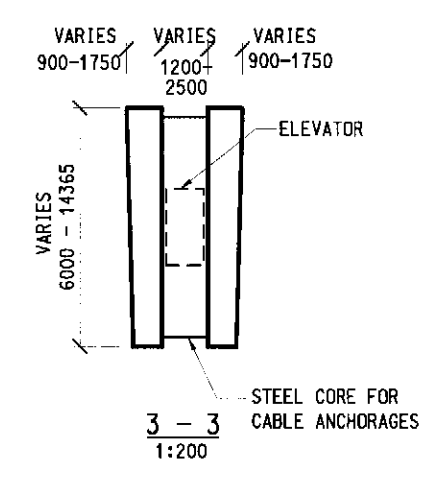
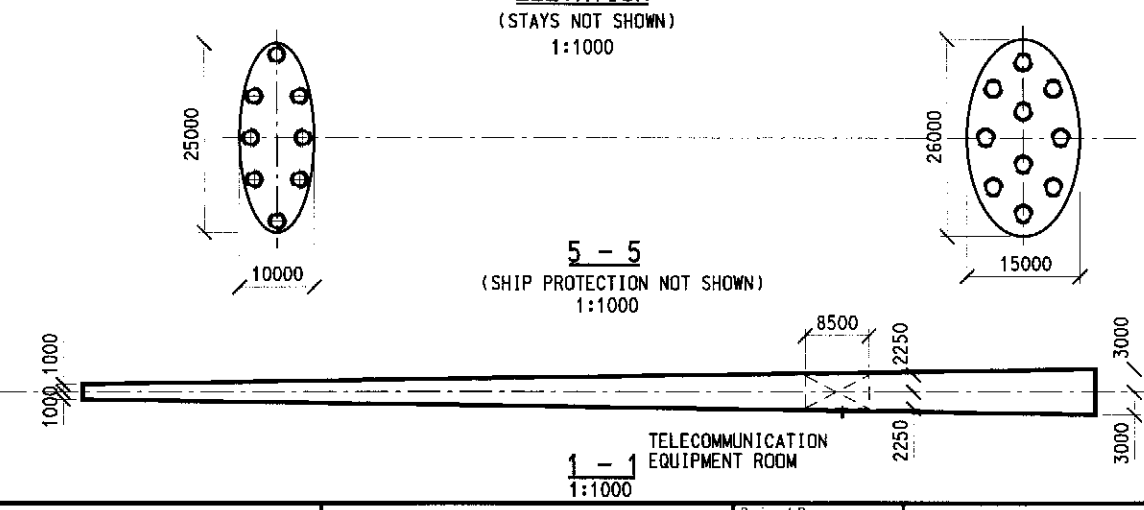
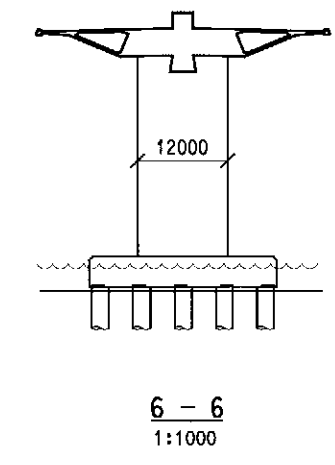
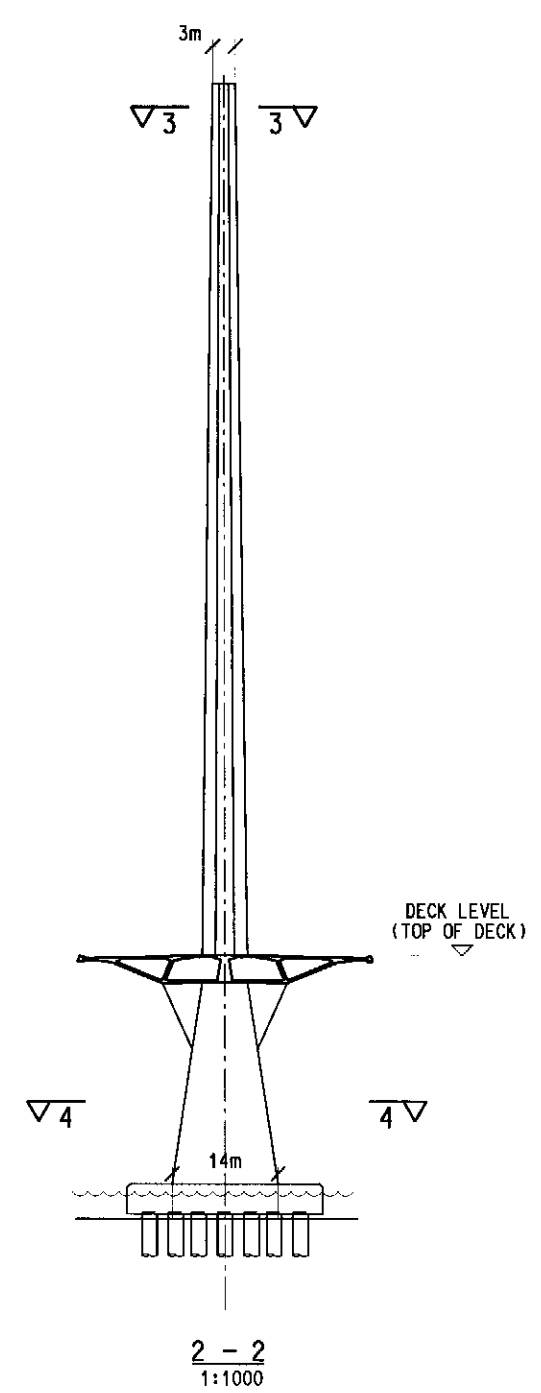
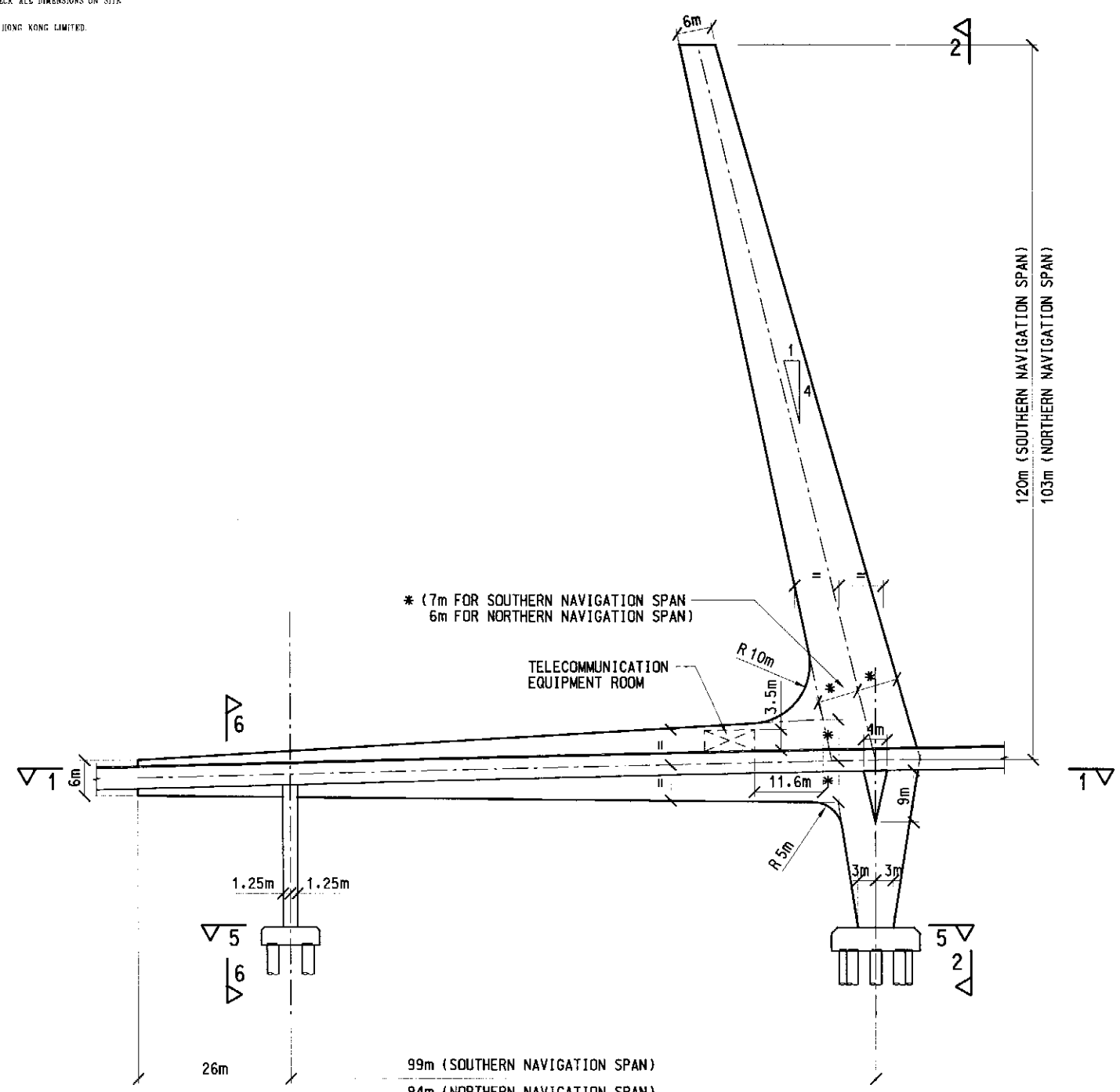


NOTE : 1. DIMENSIONS SHOWN ARE INDICATIVE ONLY.
 2. ALL DIMENSIONS ARE IN MILLIMETER, UNLESS OTHERWISE STATED



Printer by : W.MAK 03/09/2002
 Filename : F:\23306\WORKING\Draft Final\EA\Fig-7-15.dgn

Mark	Date	By	Rev.

Designed By	LHE
Drawn By	EM
Checked By	LHE
In Charge	SYC
Date	OCT-01

路政署
HIGHWAYS DEPARTMENT
 主要工程管理处
 Major Works Project Management Office

Consultant
ARUP 奧雅納工程顧問
 Ove Arup & Partners Hong Kong Limited

Supported By:
 Environmental Management Ltd. ○
 BMT Asia Pacific Ltd. ○
 Urbis Ltd. ○

Project Title
**Shenzhen Western Corridor
 Investigation & Planning**

Drawing Title
**MAIN SPANS -
 TOWER AND FOUNDATION**

Cod. File Name	FIG-7-15	Cod. Date	OCT 2001
Scale	1 : 1000		
Drawing No.	FIGURE 7.15		
Drawing Status		Rev.	