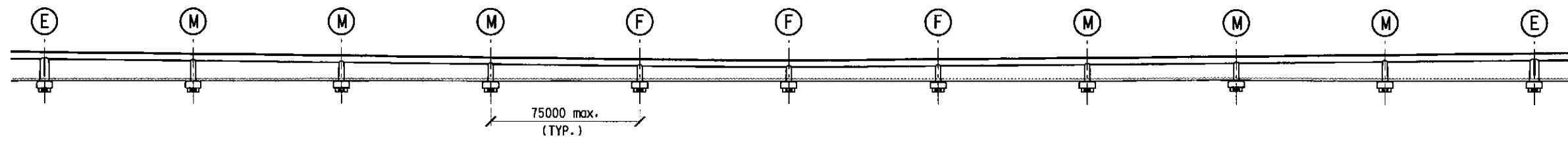
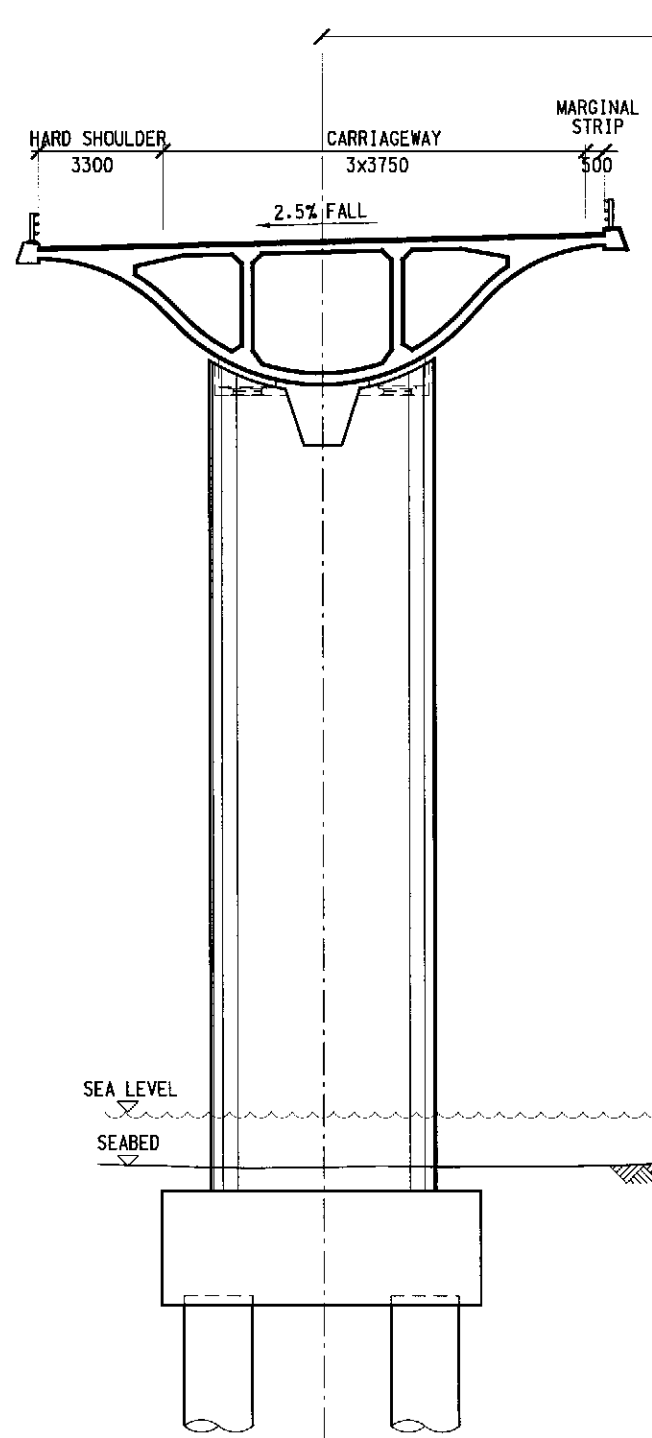


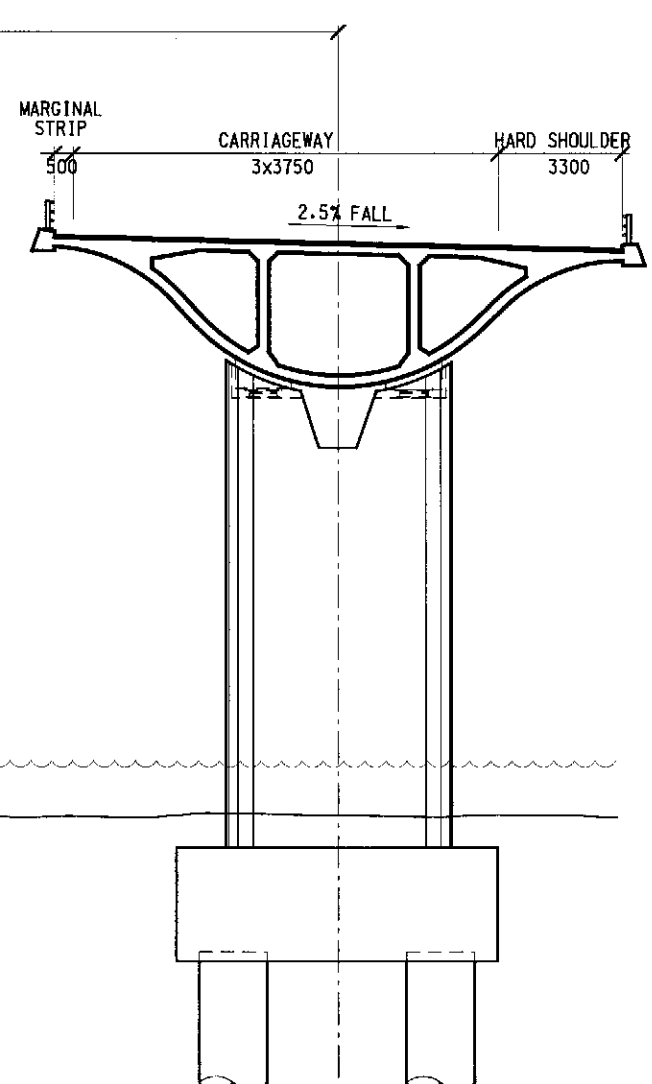
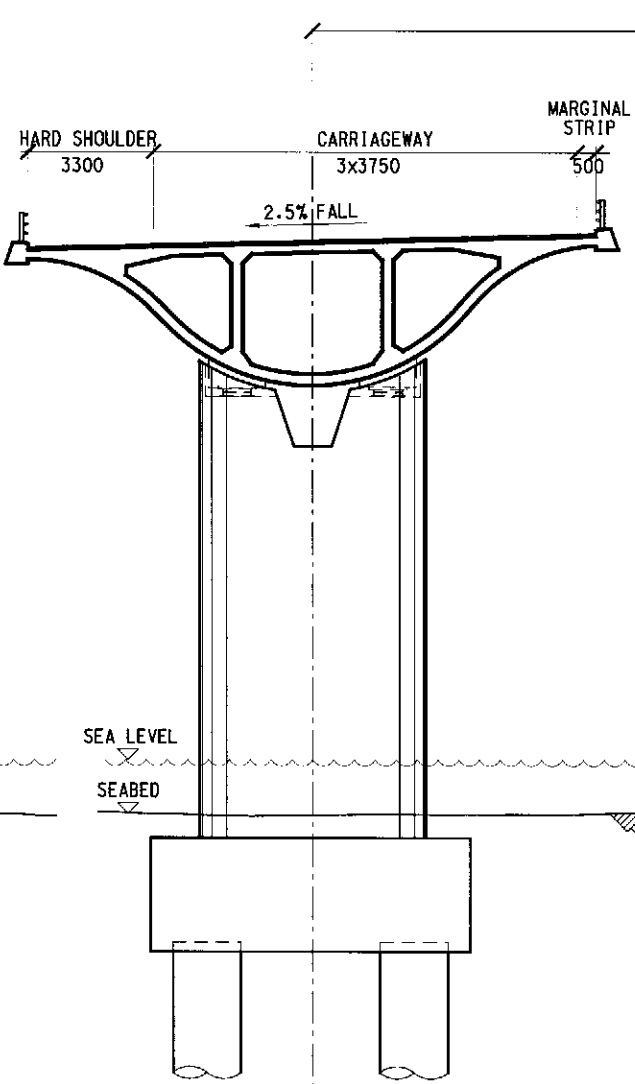
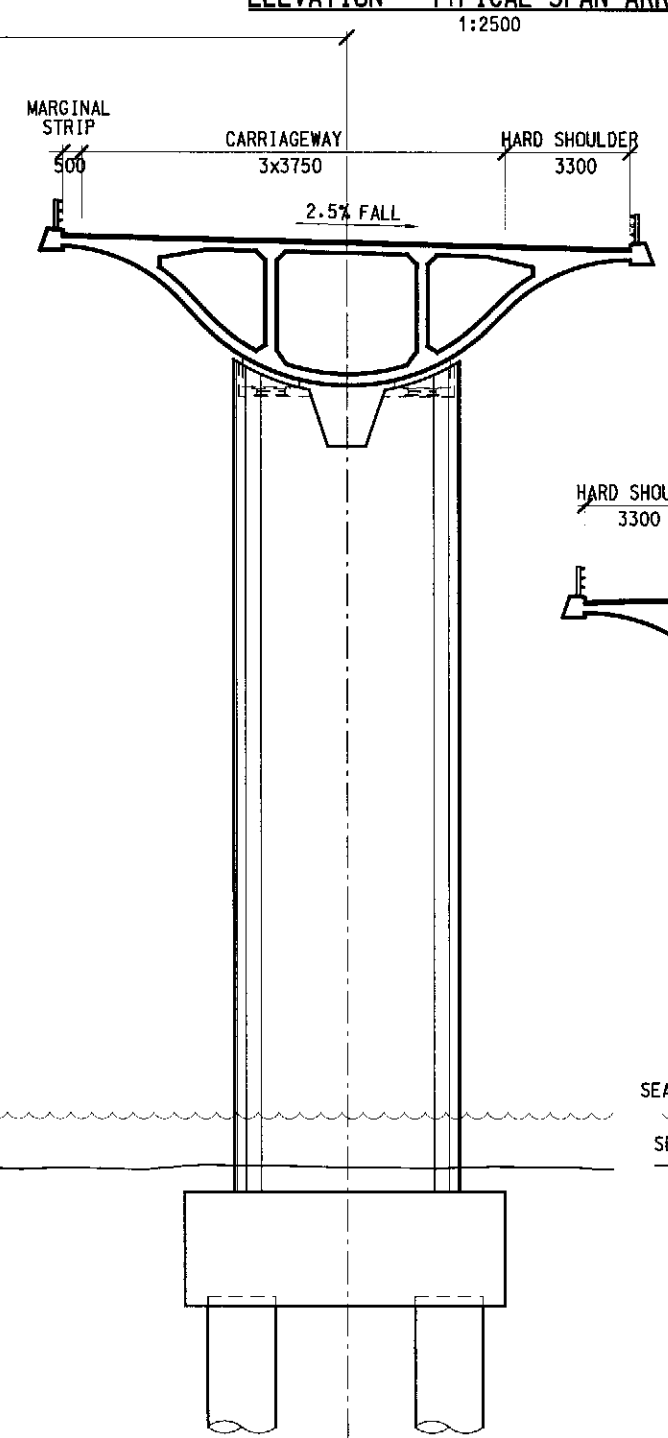
LEGEND
 (E) EXPANSION JOINT PIER
 (M) PIER WITH MOVABLE JOINT
 (F) FIXED PIER



ELEVATION - TYPICAL SPAN ARRANGEMENT
1:2500



SECTION AT HIGH PIER GENERAL ARRANGEMENT
1:200



SECTION AT LOW PIER GENERAL ARRANGEMENT
1:200

NOTE : 1. DIMENSIONS SHOWN ARE INDICATIVE ONLY.
2. ALL DIMENSIONS ARE IN MILLIMETER, UNLESS OTHERWISE STATED

Printer by : W.MAK
File name : J:\23306\WORKING\Draft Final EIA\Fig-7-16.dgn

Mark	Date	By	Rev.

Designed By	AW
Drawn By	WM
Checked By	SK
In Charge	SYC
Date	OCT 2001

路政署
HIGHWAYS DEPARTMENT
主要工程管理處
Major Works Project Management Office

Consultant
ARUP 奧雅納工程顧問
Ove Arup & Partners Hong Kong Limited
Supported By:
Environmental Management Ltd. ○
BMT Asia Pacific Ltd. ○
Urbis Ltd. ○

Project Title
Shenzhen Western Corridor Investigation & Planning

Drawing Title
TYPICAL SPANS - GENERAL ARRANGEMENT

Cad File name	FIG-7-16	Cad Date	OCT 2001
Scale	1:2500, 1:200		
Drawing No.	FIGURE 7.16		
Drawing Status		Rev.	