

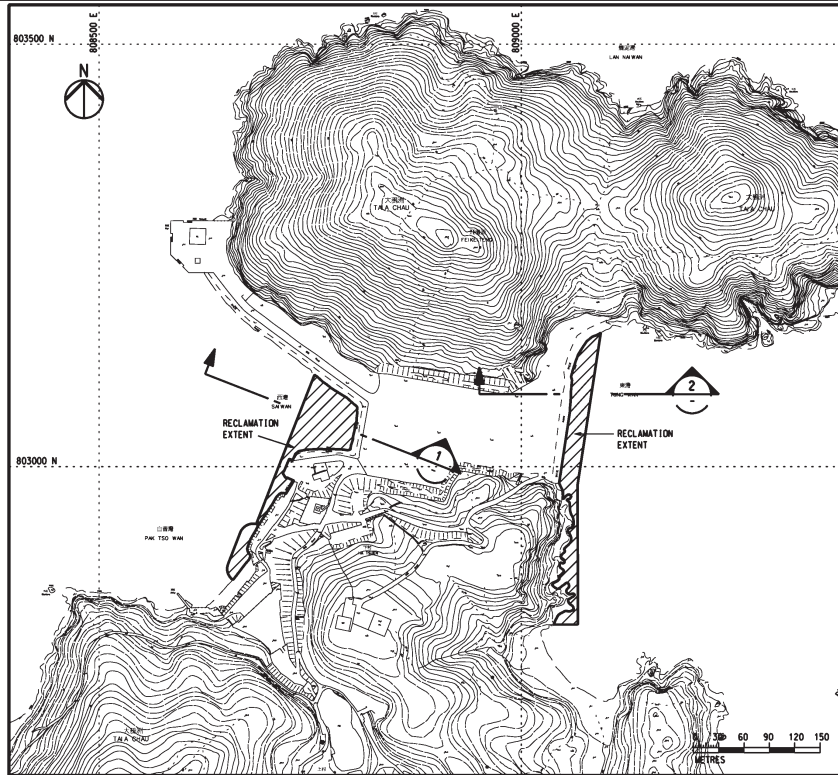
FIGURE 6.6

Marine Works near South Soko Island

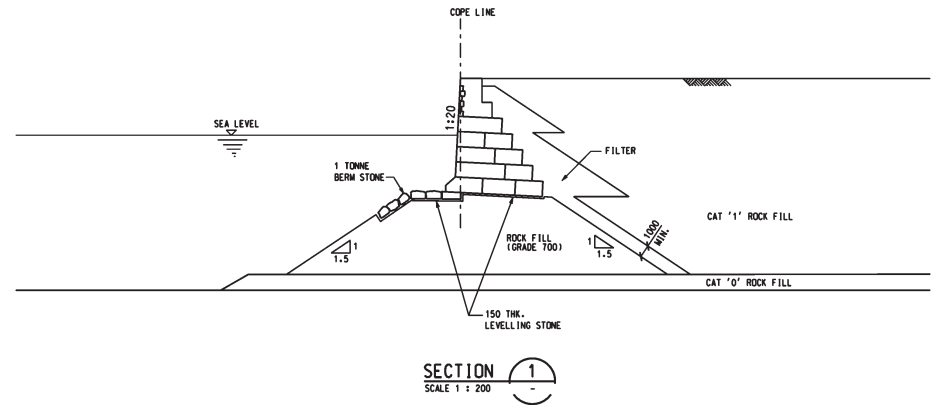
File: 0018180\_Dredging\_SK.mxd  
Date: 13/11/2006

Environmental  
Resources  
Management

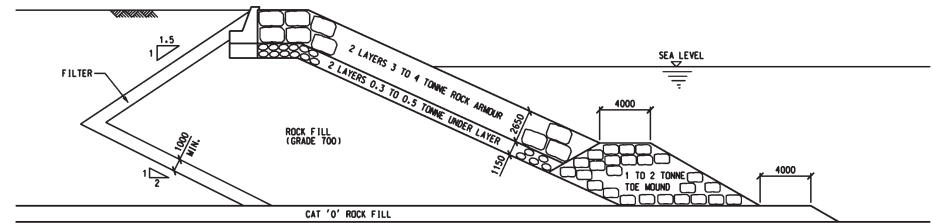




PLAN  
1:3000



SECTION 1  
SCALE 1 : 200



SECTION 2  
SCALE 1 : 200

Figure 6.6a

Marine Works Near South Soko Island

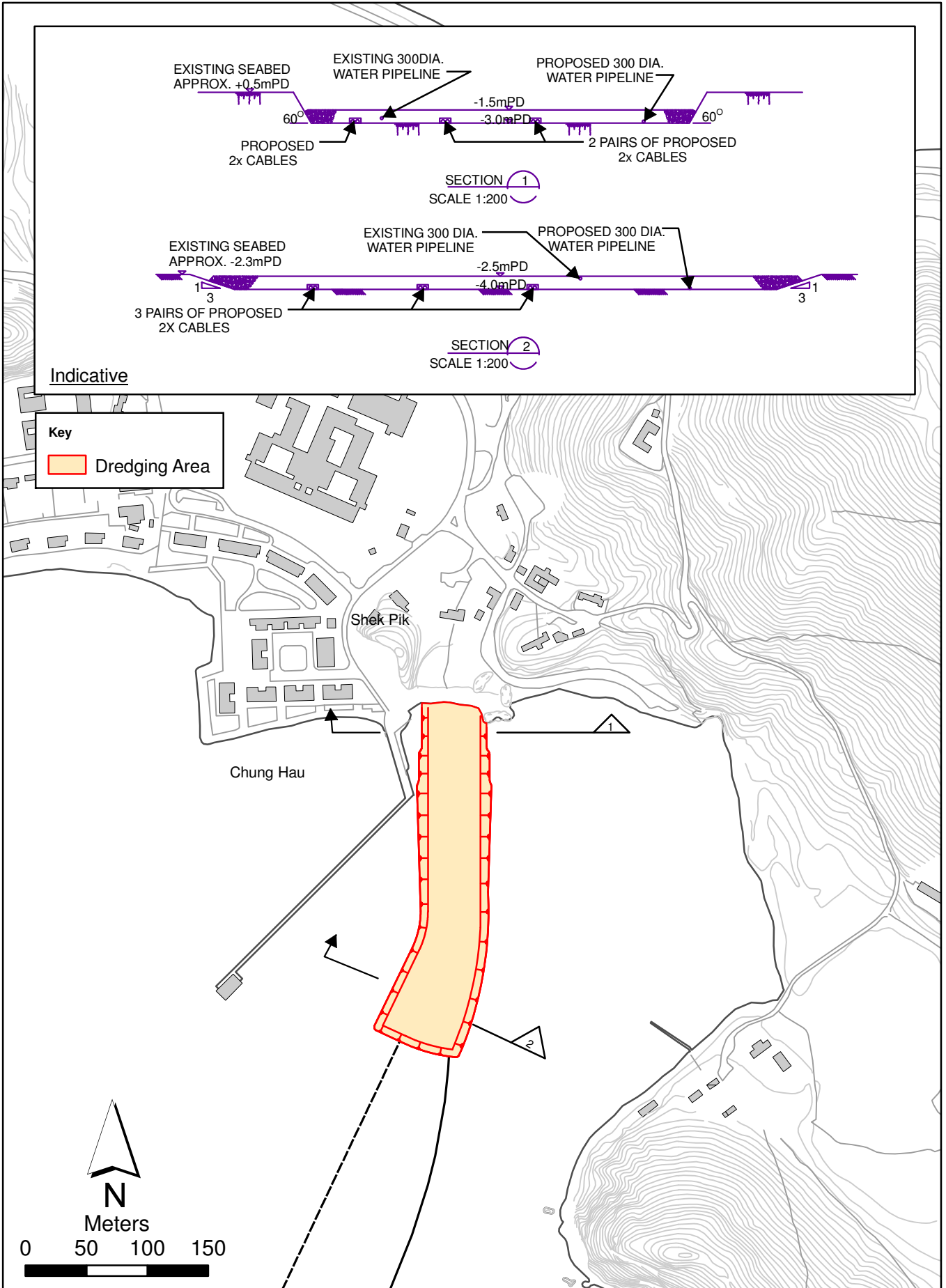


FIGURE 6.7

Marine Works near Shek Pik

File: 0018180\_Dredging\_SP.mxd  
 Date: 28/09/2006

Environmental  
 Resources  
 Management



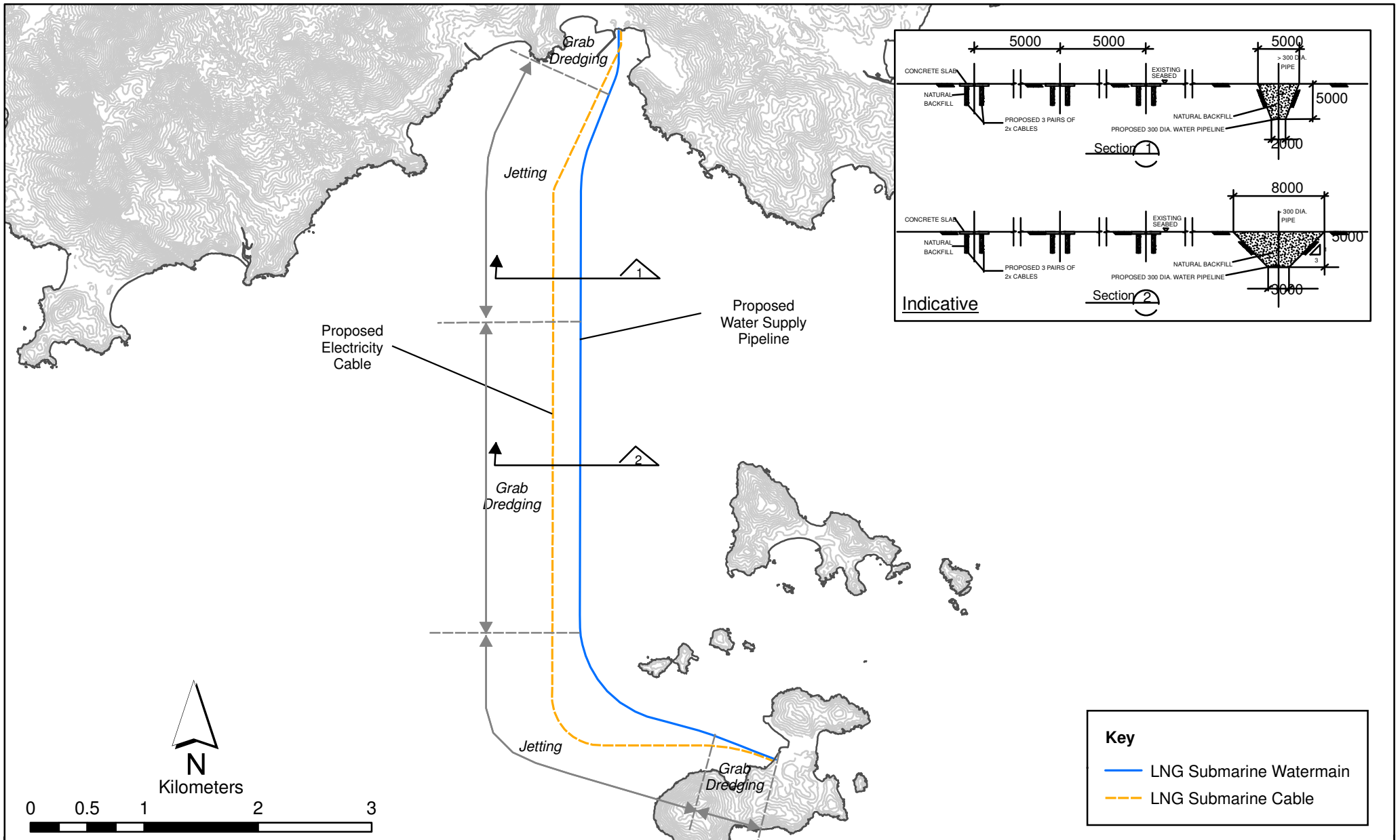


Figure 6.8

South Soko Island Proposed Water Supply and Electricity Cable Trench Details

File: 0018180\_Dredging\_SK\_Lantau.mxd  
Date: 27/09/2006

Environmental  
Resources  
Management



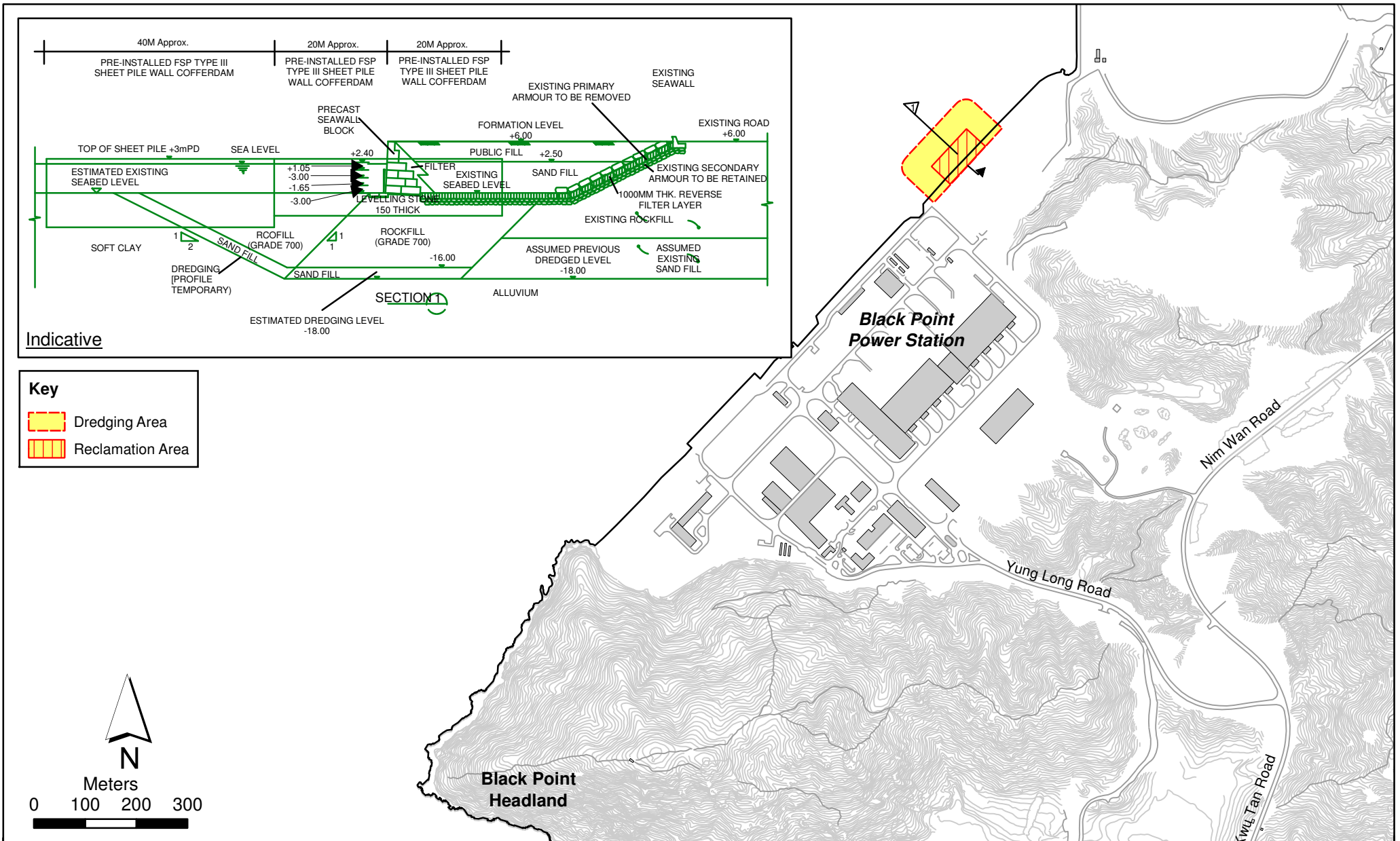


Figure 6.9

Marine Works near Black Point

File: 0018180\_Dredging\_BP.mxd  
 Date: 26/09/2006

Environmental  
 Resources  
 Management

