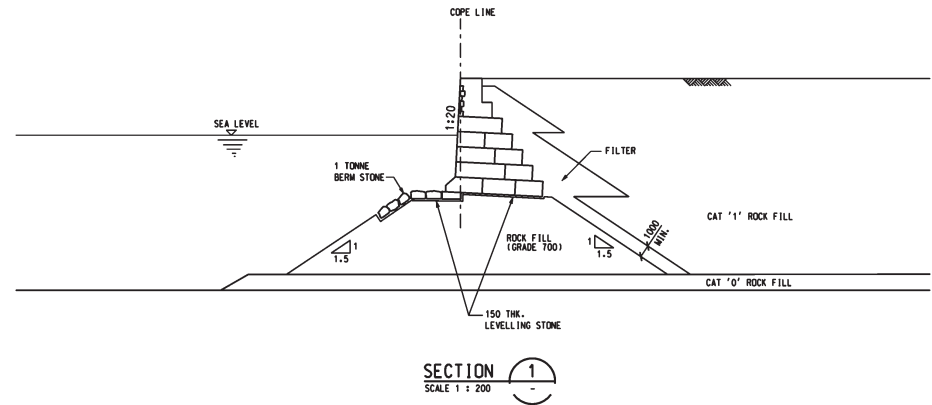
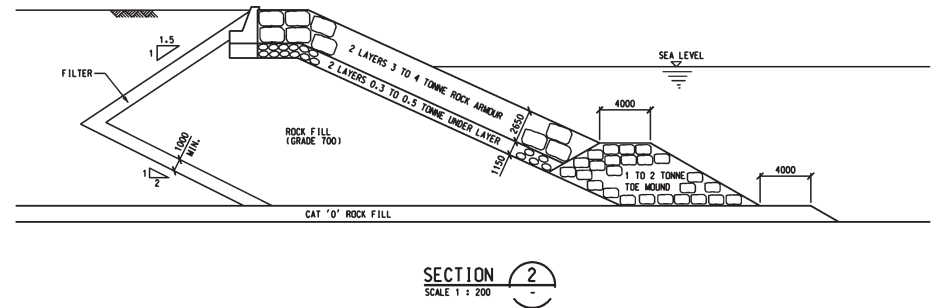


PLAN
1:3000



SECTION 1
SCALE 1 : 200



SECTION 2
SCALE 1 : 200

Figure 6.6a

Marine Works Near South Soko Island