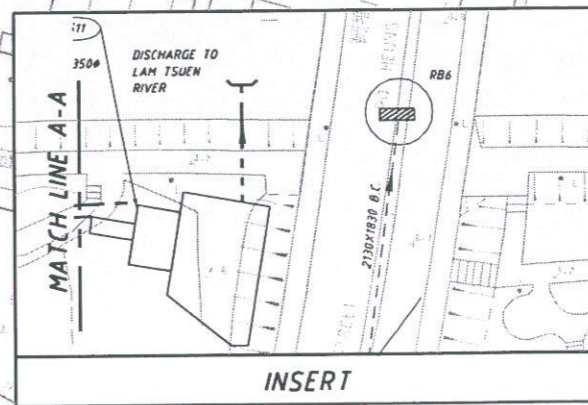


- NOTES**
- 1 ALL DIMENSIONS ARE IN MILLIMETRES UNLESS OTHERWISE INDICATED.
 - 2 ALL LEVELS ARE IN METRES ABOVE PRINCIPAL DATUM (mPD)
 - 3 DETAILS OF EXISTING STORMWATER DRAINS ARE BASED ON DSD RECORD DRAWINGS
 - 4 THE ALIGNMENT OF UTILITIES SHOWN IN THE DRAWINGS ARE INDICATIVE ONLY

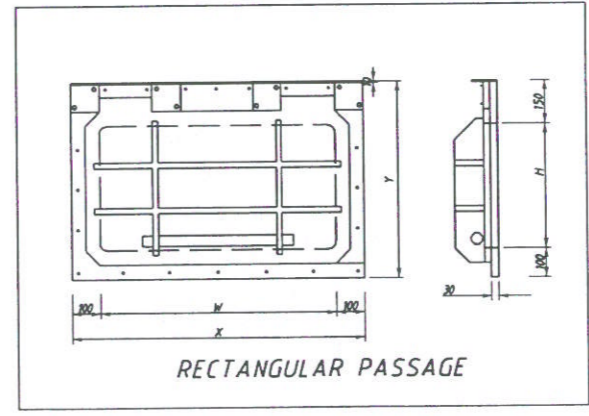
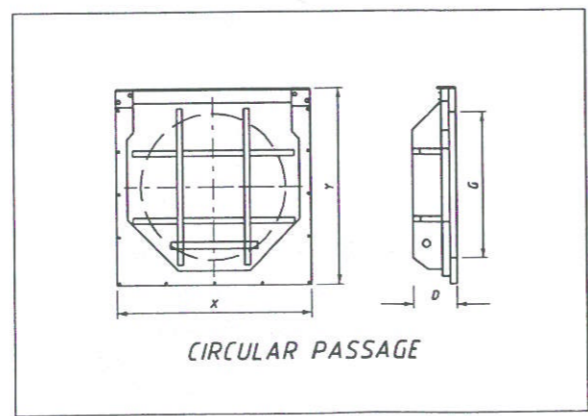
- LEGEND**
- 900# PROPOSED NEW 900mm Ø STORMWATER DRAIN PIPE
 - 750# EXISTING 750mm Ø STORMWATER DRAIN
 - ⊗ EXISTING CATCHPIT
 - ⊙ EXISTING STORMWATER MANHOLE
 - ⊙ PROPOSED STORMWATER MANHOLE
 - ⊗ EXISTING STORMWATER MANHOLE TO BE MODIFIED
 - ▨ PROPOSED FLAP VALVE



SCHEDULE OF OUTFALL FLAP VALVES (LAM TSUEN RIVER)

OUTFALLS		FLAP VALVES				
LABEL	SIZE OF OPENING G	INVERT LEVEL	TYPE	DIMENSION X	DIMENSION Y	REMARKS
LB1	1200 dia.	1.31	PRK	1400	1400	circular passage
LB2	675 dia.	1.23	PRK	900	960	circular passage
RB1	450 dia.	2.80	PRK	620	680	circular passage
RB2	600 dia.	2.00	PRK	800	860	circular passage
RB3	600 dia.	1.87	PRK	800	860	circular passage
RB4	750 dia.	0.76	PRK	1000	1060	circular passage
RB5	750 dia.	1.17	PRK	1000	1060	circular passage
RB6	2130(W) x 1830(H)	0.40	PRK	2330	2090	rectangular passage

- NOTES**
- 1 ALL DIMENSIONS ARE IN MILLIMETRES.
 - 2 ALL LEVELS ARE IN METRES ABOVE PRINCIPAL DATUM.



DESCRIPTION 圖紙編號	REVISION 修改	APPROVED 核准	DATE 日期
D DRAINAGE SERVICES DEPARTMENT, THE GOVERNMENT OF THE HONG KONG SPECIAL ADMINISTRATIVE REGION			
AGREEMENT No. CE 50/2001 (DS) DRAINAGE IMPROVEMENT IN SHA TIN AND TAI PO DESIGN AND CONSTRUCTION			
CONSTRUCTION OF FLAP VALVES AT OUTFALLS AT LAM TSUEN RIVER			
MAUNSELL CONSULTANTS ASIA LTD. 茂盛亞洲工程顧問有限公司			
DRGNO. 圖紙編號		FIGURE 1.6L	
DESIGNED BY 設計	(P.W.)	CONTRACT NO. 合約編號	DATE OF ISSUE 發給日期
DRAWN BY 繪圖	GHX	STATUS 地位	
SCALE 比例	AT 1:500	PRELIMINARY	
DISCIPLINE AND UNIT 專業及單位	METRES	© COPYRIGHT RESERVED 版權所有	

Maunsell