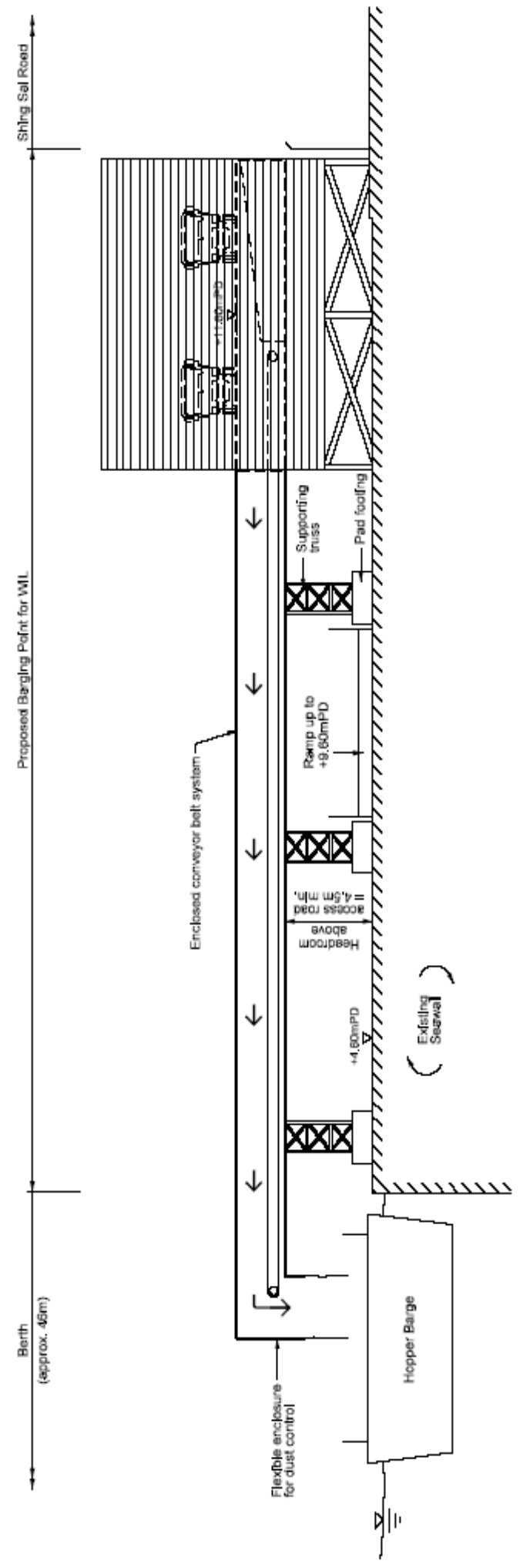
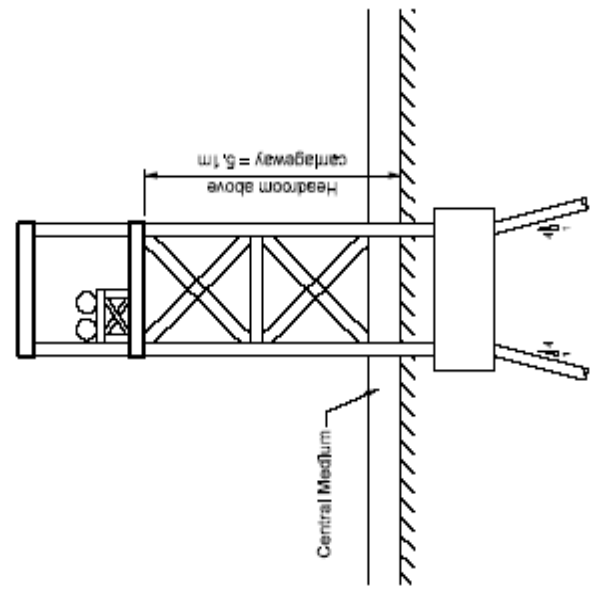


Section A  
1:300  
B18.005



Section B  
1:300  
B18.005



Section E  
1:150  
B18.005

SCALE	N.T.S.	DATE	APR.2008
CHECK	-	DRAWN	LL
JOB NO.	60017115	DRAWING No.	11.5
Rev			