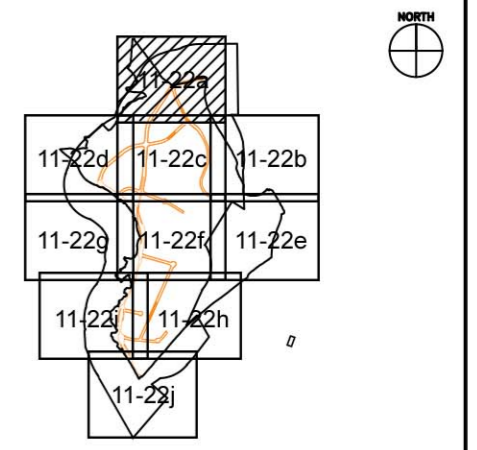
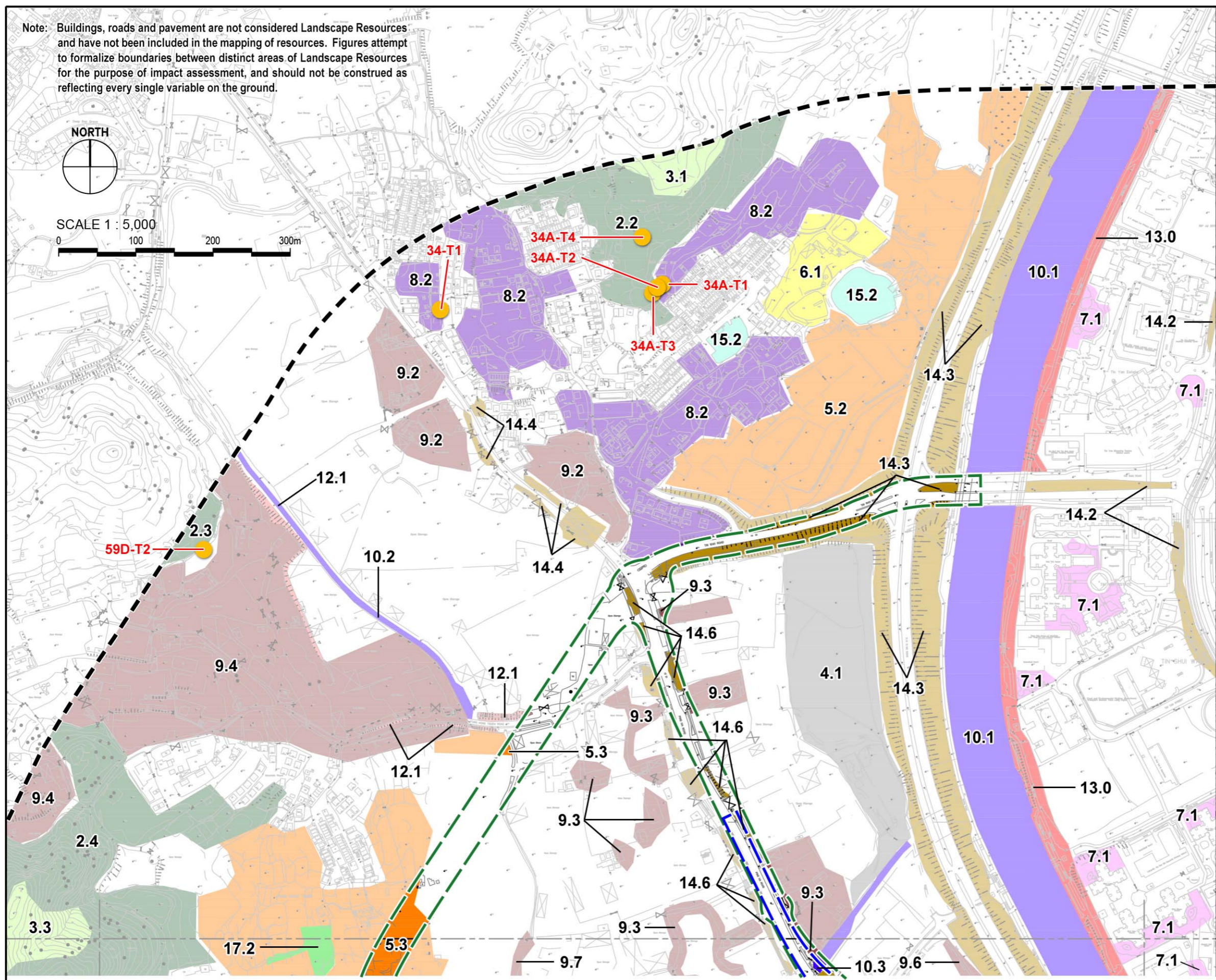


Note: Buildings, roads and pavement are not considered Landscape Resources and have not been included in the mapping of resources. Figures attempt to formalize boundaries between distinct areas of Landscape Resources for the purpose of impact assessment, and should not be construed as reflecting every single variable on the ground.



SCALE 1 : 5,000
0 100 200 300m



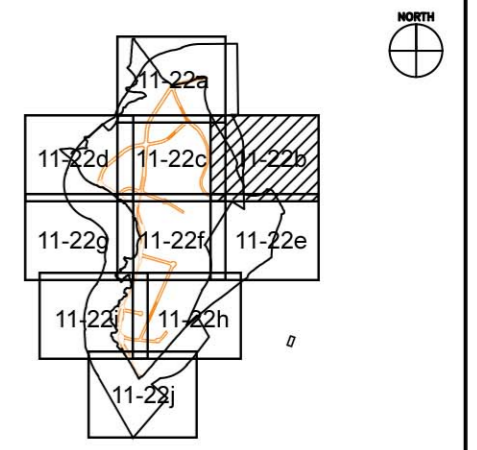
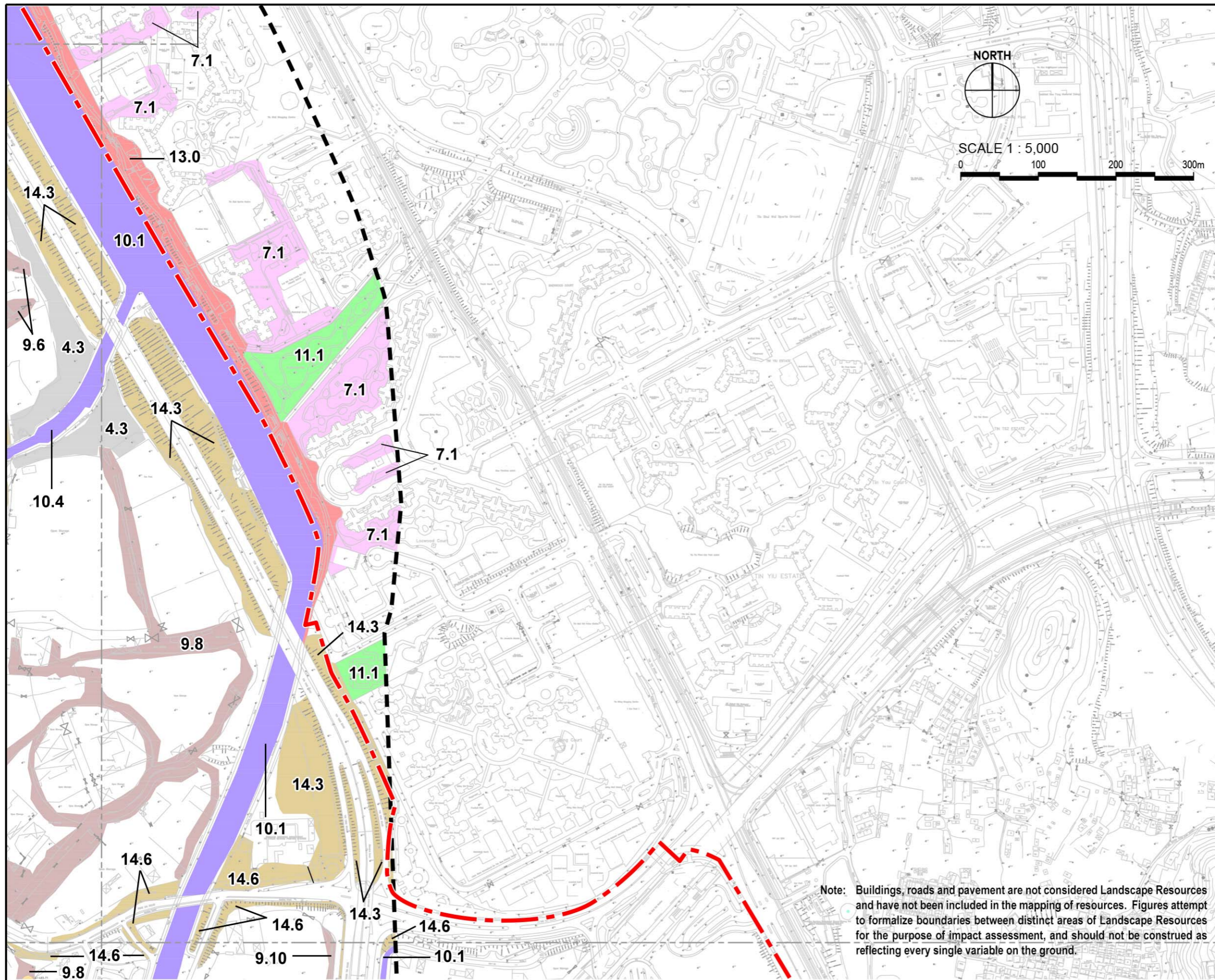
KEYPLAN

- LEGEND**
- 500m Assessment Area Boundary
 - Project Boundary
 - DP1
 - DP2
 - DP5
 - DP6
 - DP12
-
- LR2 Hillside Woodland Impacted Area
 - LR4 Low-lying Woodland/Plantation Impacted Area
 - LR5 Low-lying Shrub & Grassland Impacted Area
 - LR6 Vegetation on Agricultural Land Impacted Area
 - LR8 Vegetation within Rural Village Impacted Area
 - LR9 Vegetation within Industrial Impacted Area
 - LR10 Watercourse Impacted Area
 - LR12 Vegetation on Modified Slopes Impacted Area
 - LR14 Roadside Vegetation Impacted Area
 - LR15 Waterbodies Impacted Area
 - LR18 Important Tree



Agreement No. CE 2/2011 (CE)
Hung Shui Kiu New Development Area Planning and Engineering Study - Investigation
Landscape Resource Impacts Enlargement Plan 01

SCALE	1:5,000@A3	DATE	AUG 2016
CHECK	AM	DRAWN	LW
JOB No.	60222570	FIGURE	11.22a
		REV	



KEYPLAN

- LEGEND**
- 500m Assessment Area Boundary
 - Project Boundary
 - DP1
 - DP2
 - DP5
 - DP6
 - DP12
-
- LR2 Hillside Woodland Impacted Area
 - LR4 Low-lying Woodland/Plantation Impacted Area
 - LR5 Low-lying Shrub & Grassland Impacted Area
 - LR6 Vegetation on Agricultural Land Impacted Area
 - LR8 Vegetation within Rural Village Impacted Area
 - LR9 Vegetation within Industrial Impacted Area
 - LR10 Watercourse Impacted Area
 - LR12 Vegetation on Modified Slopes Impacted Area
 - LR14 Roadside Vegetation Impacted Area
 - LR15 Waterbodies Impacted Area
 - LR18 Important Tree

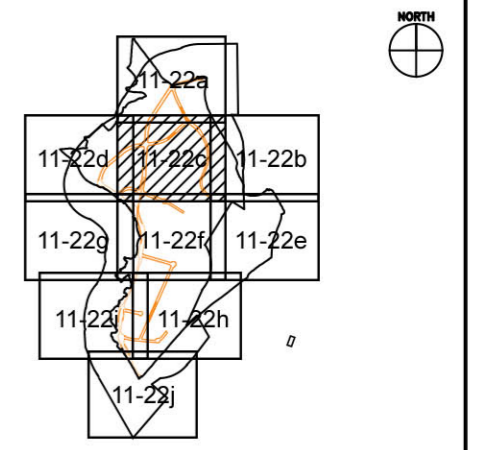
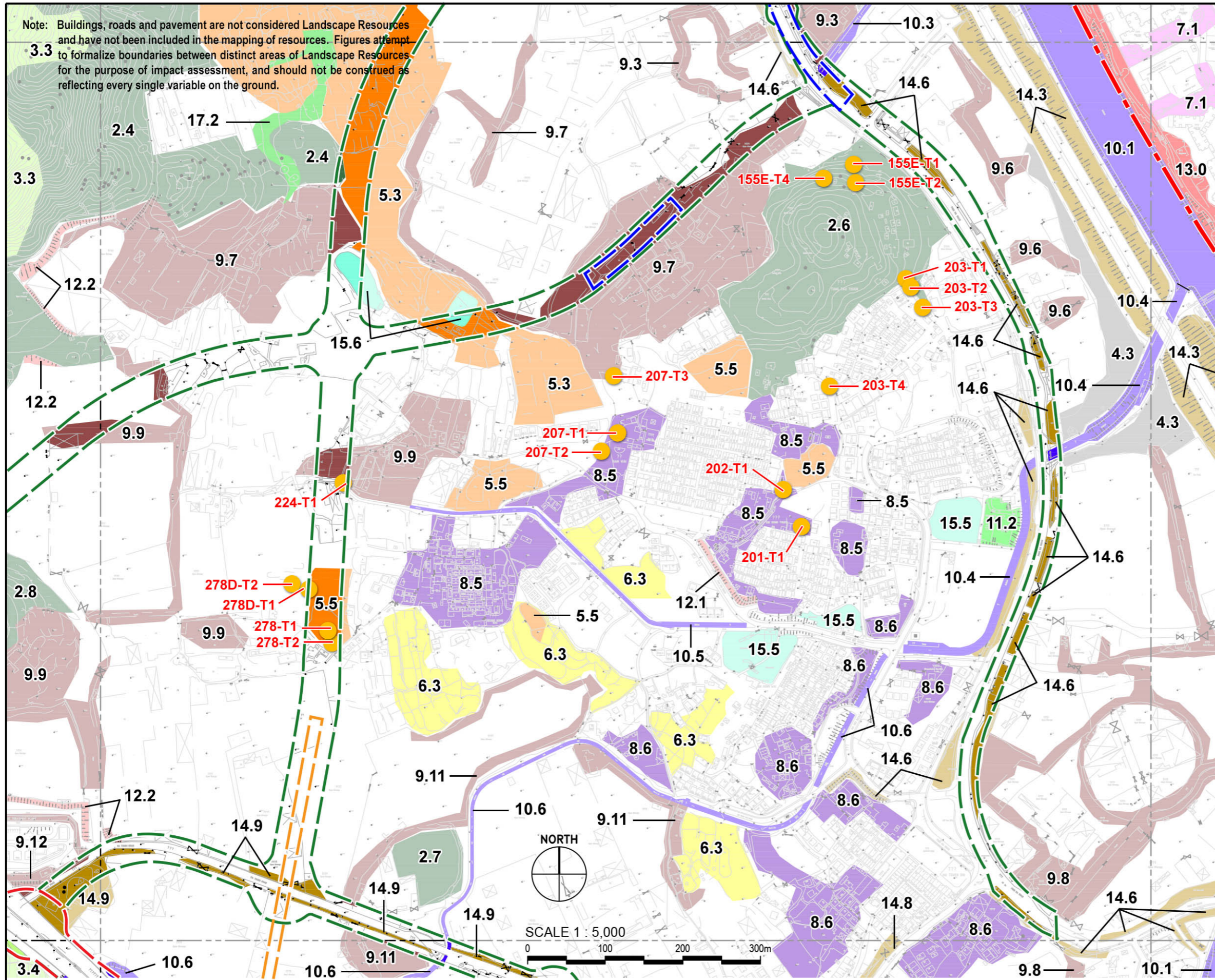
Note: Buildings, roads and pavement are not considered Landscape Resources and have not been included in the mapping of resources. Figures attempt to formalize boundaries between distinct areas of Landscape Resources for the purpose of impact assessment, and should not be construed as reflecting every single variable on the ground.



Agreement No. CE 2/2011 (CE)
 Hung Shui Kiu New Development Area Planning and Engineering Study - Investigation
Landscape Resource Impacts Enlargement Plan 02

SCALE	1:5,000@A3	DATE	AUG 2016
CHECK	AM	DRAWN	LW
JOB No.	60222570	FIGURE	11.22b
		REV	

Note: Buildings, roads and pavement are not considered Landscape Resources and have not been included in the mapping of resources. Figures attempt to formalize boundaries between distinct areas of Landscape Resources for the purpose of impact assessment, and should not be construed as reflecting every single variable on the ground.

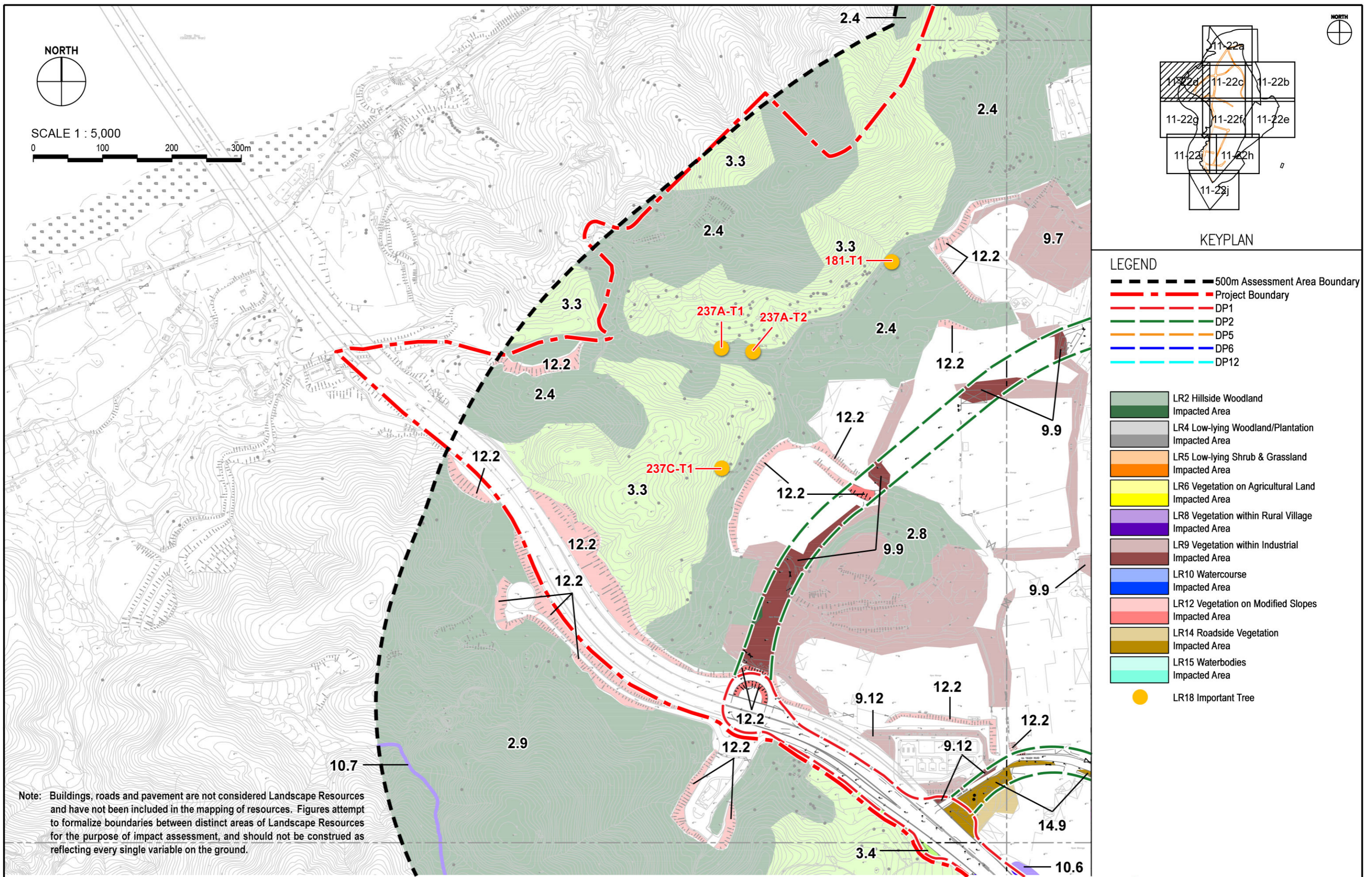


- LEGEND**
- 500m Assessment Area Boundary
 - Project Boundary
 - DP1
 - DP2
 - DP5
 - DP6
 - DP12
 - LR2 Hillside Woodland Impacted Area
 - LR4 Low-lying Woodland/Plantation Impacted Area
 - LR5 Low-lying Shrub & Grassland Impacted Area
 - LR6 Vegetation on Agricultural Land Impacted Area
 - LR8 Vegetation within Rural Village Impacted Area
 - LR9 Vegetation within Industrial Impacted Area
 - LR10 Watercourse Impacted Area
 - LR12 Vegetation on Modified Slopes Impacted Area
 - LR14 Roadside Vegetation Impacted Area
 - LR15 Waterbodies Impacted Area
 - LR18 Important Tree



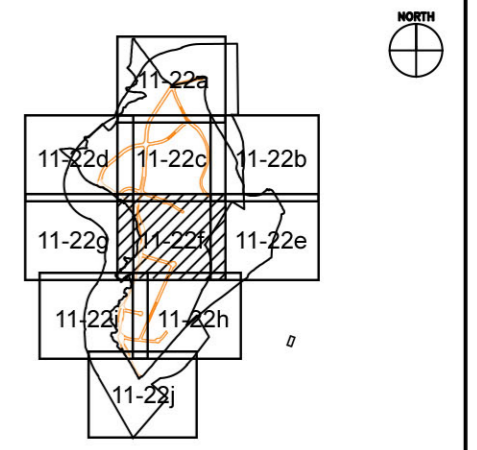
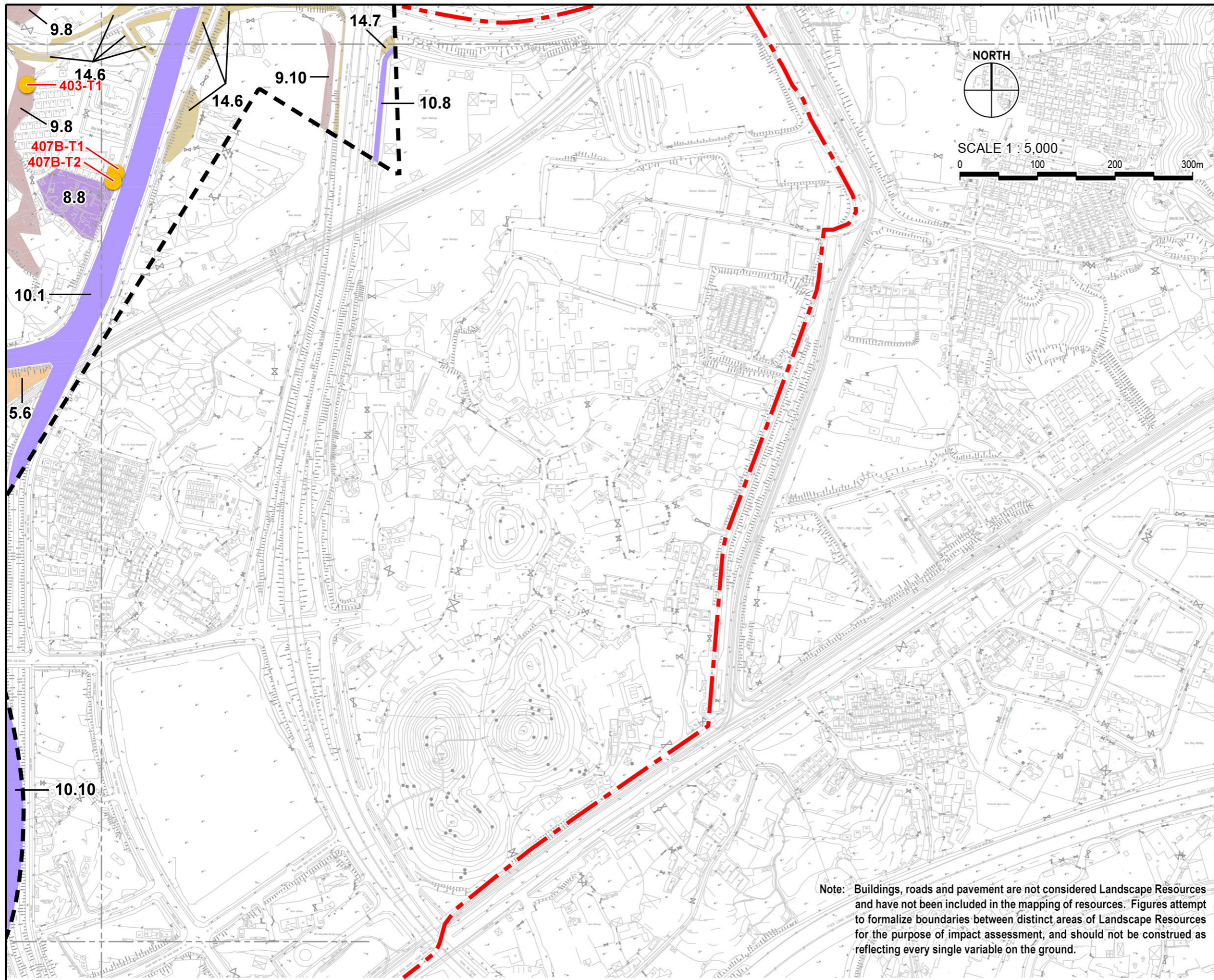
Agreement No. CE 2/2011 (CE)
 Hung Shui Kiu New Development Area Planning and Engineering Study - Investigation
Landscape Resource Impacts Enlargement Plan 03

SCALE	1:5,000@A3	DATE	AUG 2016
CHECK	AM	DRAWN	LW
JOB No.	60222570	FIGURE	11.22c
		REV	



Agreement No. CE 2/2011 (CE)
 Hung Shui Kiu New Development Area Planning and Engineering Study - Investigation
Landscape Resource Impacts Enlargement Plan 04

SCALE	1:5,000@A3	DATE	AUG 2016
CHECK	AM	DRAWN	LW
JOB No.	60222570	FIGURE	11.22d
		REV	



KEYPLAN

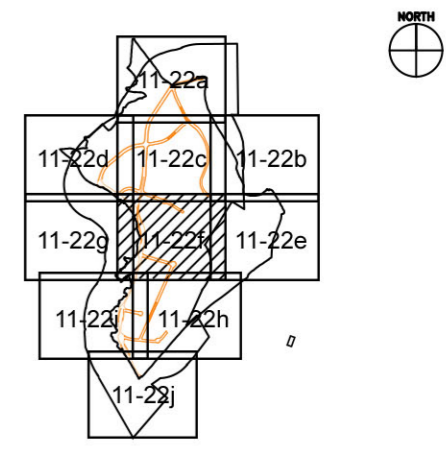
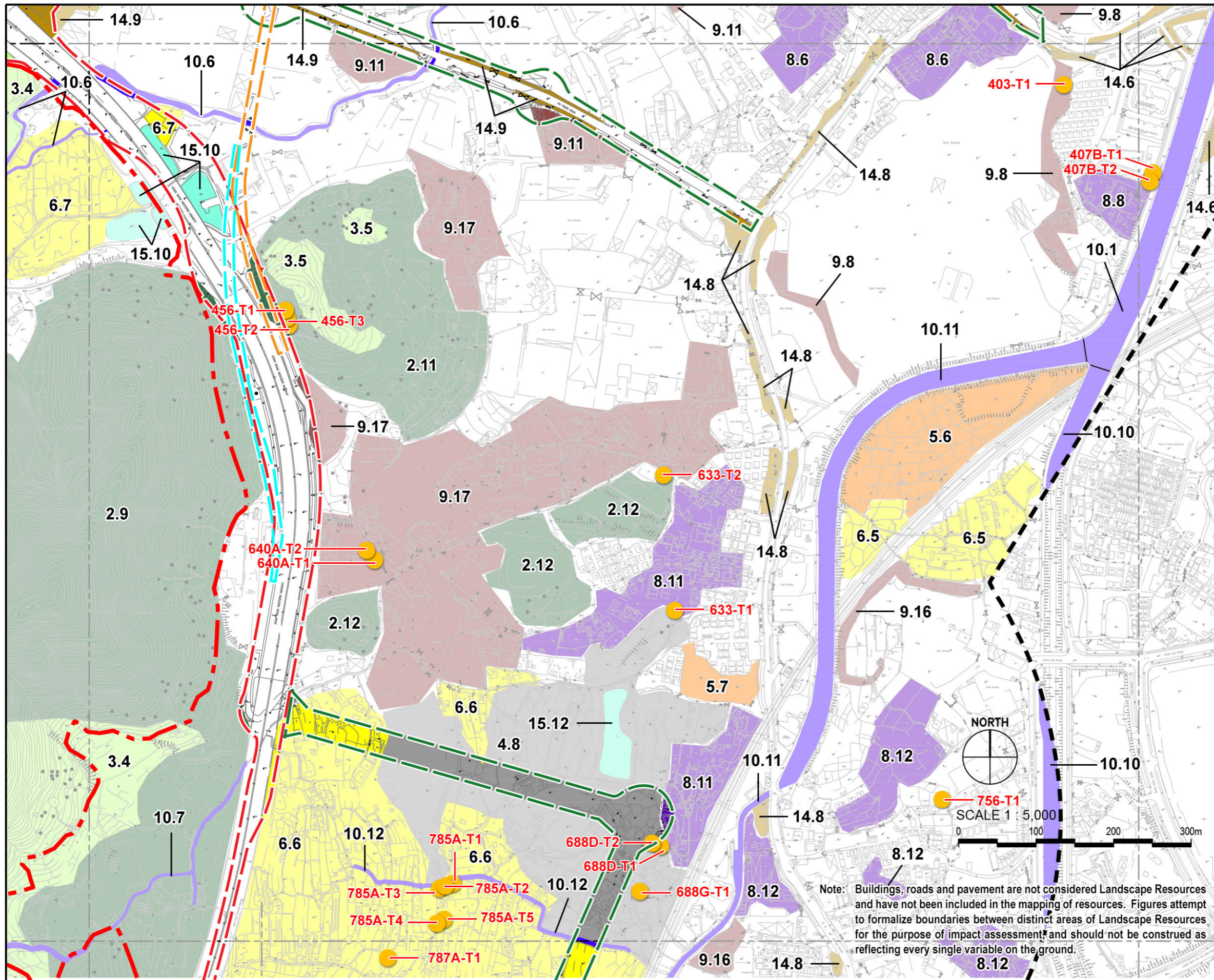
- LEGEND**
- 500m Assessment Area Boundary
 - Project Boundary
 - DP1
 - DP2
 - DP5
 - DP6
 - DP12
-
- LR2 Hillside Woodland Impacted Area
 - LR4 Low-lying Woodland/Plantation Impacted Area
 - LR5 Low-lying Shrub & Grassland Impacted Area
 - LR6 Vegetation on Agricultural Land Impacted Area
 - LR8 Vegetation within Rural Village Impacted Area
 - LR9 Vegetation within Industrial Impacted Area
 - LR10 Watercourse Impacted Area
 - LR12 Vegetation on Modified Slopes Impacted Area
 - LR14 Roadside Vegetation Impacted Area
 - LR15 Waterbodies Impacted Area
 - LR18 Important Tree

Note: Buildings, roads and pavement are not considered Landscape Resources and have not been included in the mapping of resources. Figures attempt to formalize boundaries between distinct areas of Landscape Resources for the purpose of impact assessment, and should not be construed as reflecting every single variable on the ground.



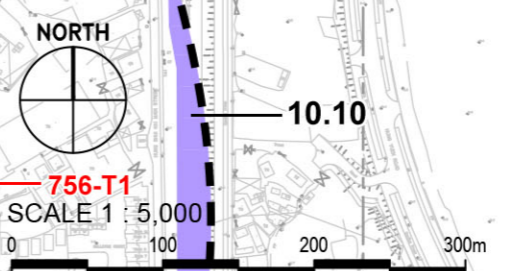
Agreement No. CE 2/2011 (CE)
 Hung Shui Kiu New Development Area Planning and Engineering Study - Investigation
Landscape Resource Impacts Enlargement Plan 05

SCALE	1:5,000@A3	DATE	AUG 2016
CHECK	AM	DRAWN	LW
JOB No.	60222570	FIGURE	11.22e
		REV	



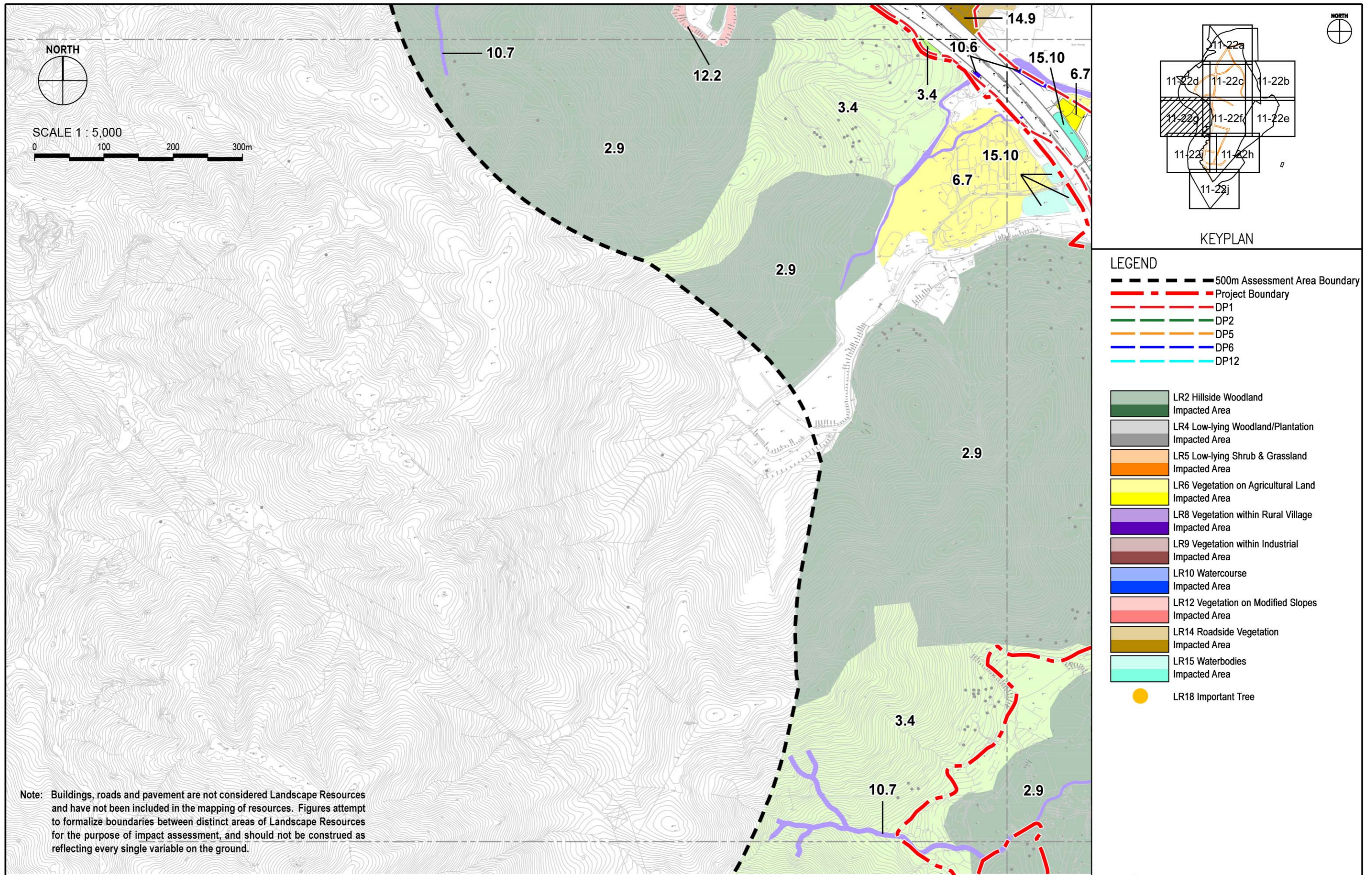
- LEGEND**
- 500m Assessment Area Boundary
 - - - Project Boundary
 - - - DP1
 - - - DP2
 - - - DP5
 - - - DP6
 - - - DP12
- LR2 Hillside Woodland Impacted Area
 - LR4 Low-lying Woodland/Plantation Impacted Area
 - LR5 Low-lying Shrub & Grassland Impacted Area
 - LR6 Vegetation on Agricultural Land Impacted Area
 - LR8 Vegetation within Rural Village Impacted Area
 - LR9 Vegetation within Industrial Impacted Area
 - LR10 Watercourse Impacted Area
 - LR12 Vegetation on Modified Slopes Impacted Area
 - LR14 Roadside Vegetation Impacted Area
 - LR15 Waterbodies Impacted Area
 - LR18 Important Tree

Note: Buildings, roads and pavement are not considered Landscape Resources and have not been included in the mapping of resources. Figures attempt to formalize boundaries between distinct areas of Landscape Resources for the purpose of impact assessment and should not be construed as reflecting every single variable on the ground.



Agreement No. CE 2/2011 (CE)
Hung Shui Kiu New Development Area Planning and Engineering Study - Investigation
Landscape Resource Impacts Enlargement Plan 06

SCALE	1:5,000@A3	DATE	AUG 2016
CHECK	AM	DRAWN	LW
JOB No.	60222570	FIGURE	11.22f
		REV	

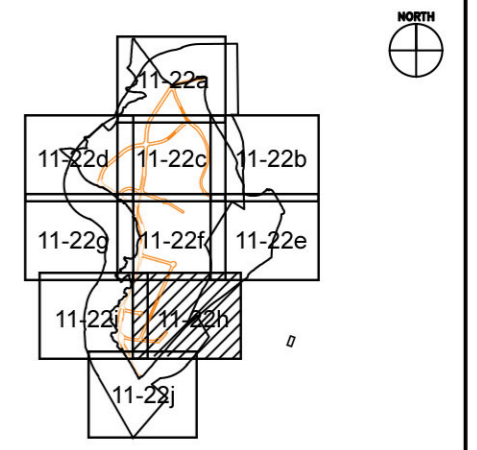
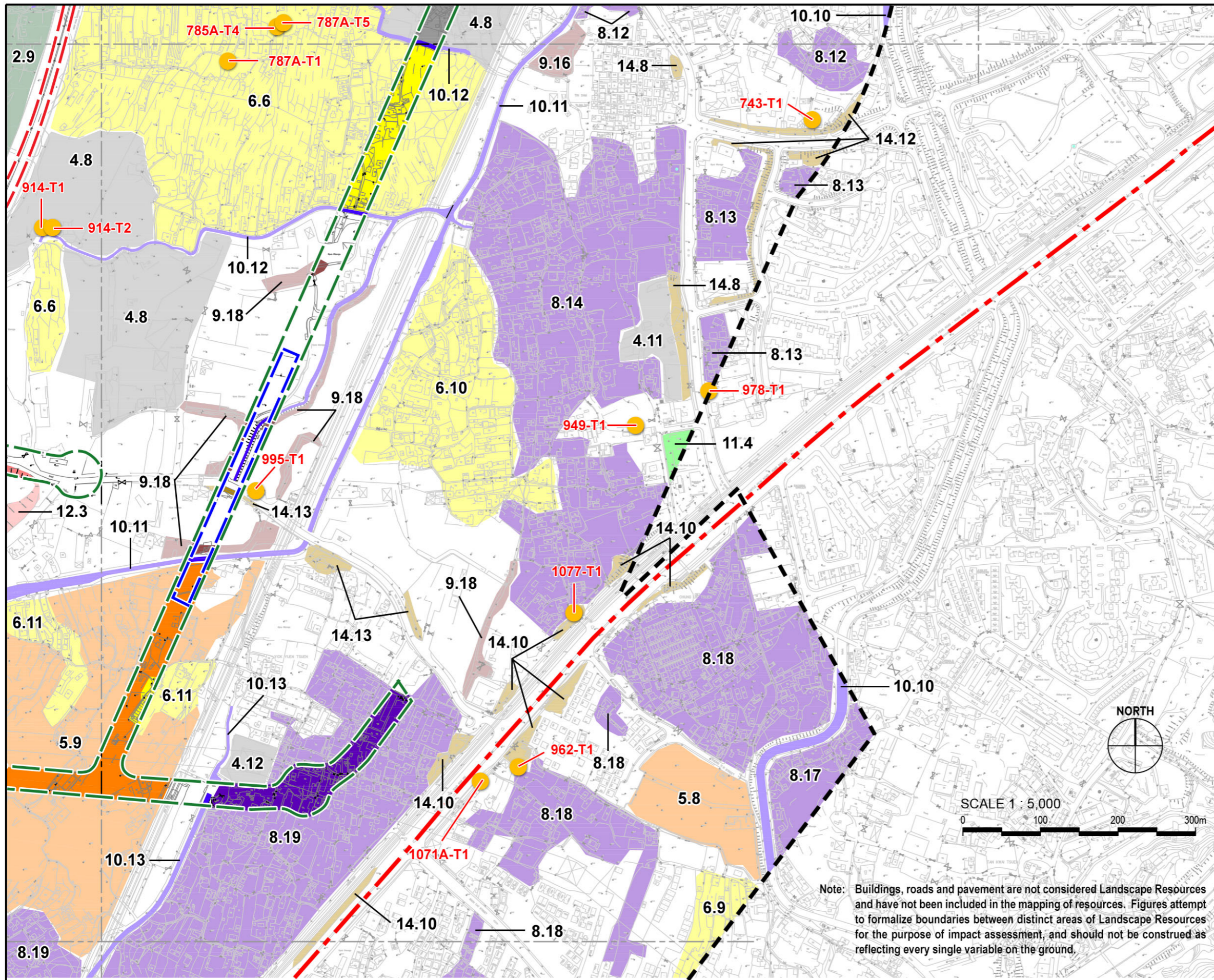


Note: Buildings, roads and pavement are not considered Landscape Resources and have not been included in the mapping of resources. Figures attempt to formalize boundaries between distinct areas of Landscape Resources for the purpose of impact assessment, and should not be construed as reflecting every single variable on the ground.



Agreement No. CE 2/2011 (CE)
 Hung Shui Kiu New Development Area Planning and Engineering Study - Investigation
Landscape Resource Impacts Enlargement Plan 07

SCALE	1:5,000@A3	DATE	AUG 2016
CHECK	AM	DRAWN	LW
JOB No.	60222570	FIGURE	11.22g
		REV	



KEYPLAN

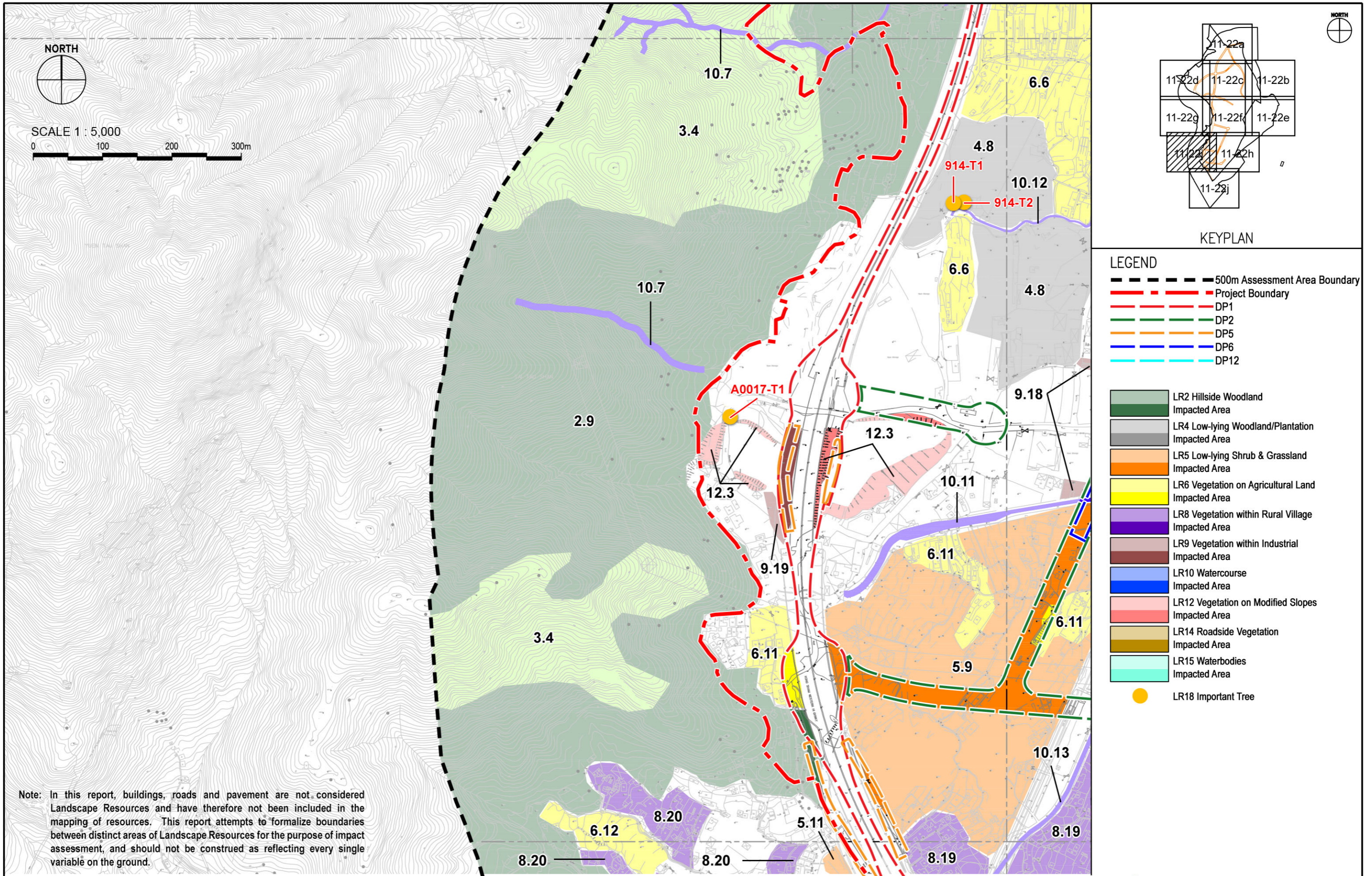
- LEGEND**
- 500m Assessment Area Boundary
 - Project Boundary
 - DP1
 - DP2
 - DP5
 - DP6
 - DP12
-
- LR2 Hillside Woodland Impacted Area
 - LR4 Low-lying Woodland/Plantation Impacted Area
 - LR5 Low-lying Shrub & Grassland Impacted Area
 - LR6 Vegetation on Agricultural Land Impacted Area
 - LR8 Vegetation within Rural Village Impacted Area
 - LR9 Vegetation within Industrial Impacted Area
 - LR10 Watercourse Impacted Area
 - LR12 Vegetation on Modified Slopes Impacted Area
 - LR14 Roadside Vegetation Impacted Area
 - LR15 Waterbodies Impacted Area
 - LR18 Important Tree

Note: Buildings, roads and pavement are not considered Landscape Resources and have not been included in the mapping of resources. Figures attempt to formalize boundaries between distinct areas of Landscape Resources for the purpose of impact assessment, and should not be construed as reflecting every single variable on the ground.



Agreement No. CE 2/2011 (CE)
 Hung Shui Kiu New Development Area Planning and Engineering Study - Investigation
Landscape Resource Impacts Enlargement Plan 08

SCALE	1:5,000@A3	DATE	AUG 2016
CHECK	AM	DRAWN	LW
JOB No.	60222570	FIGURE	11.22h
		REV	

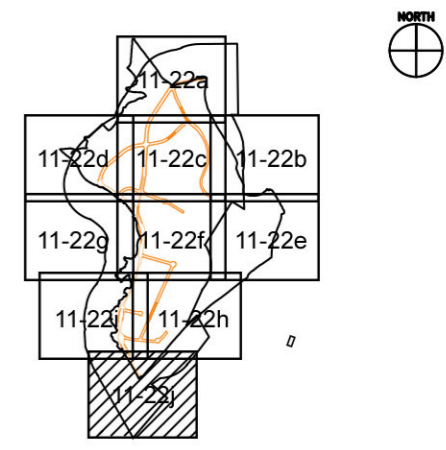
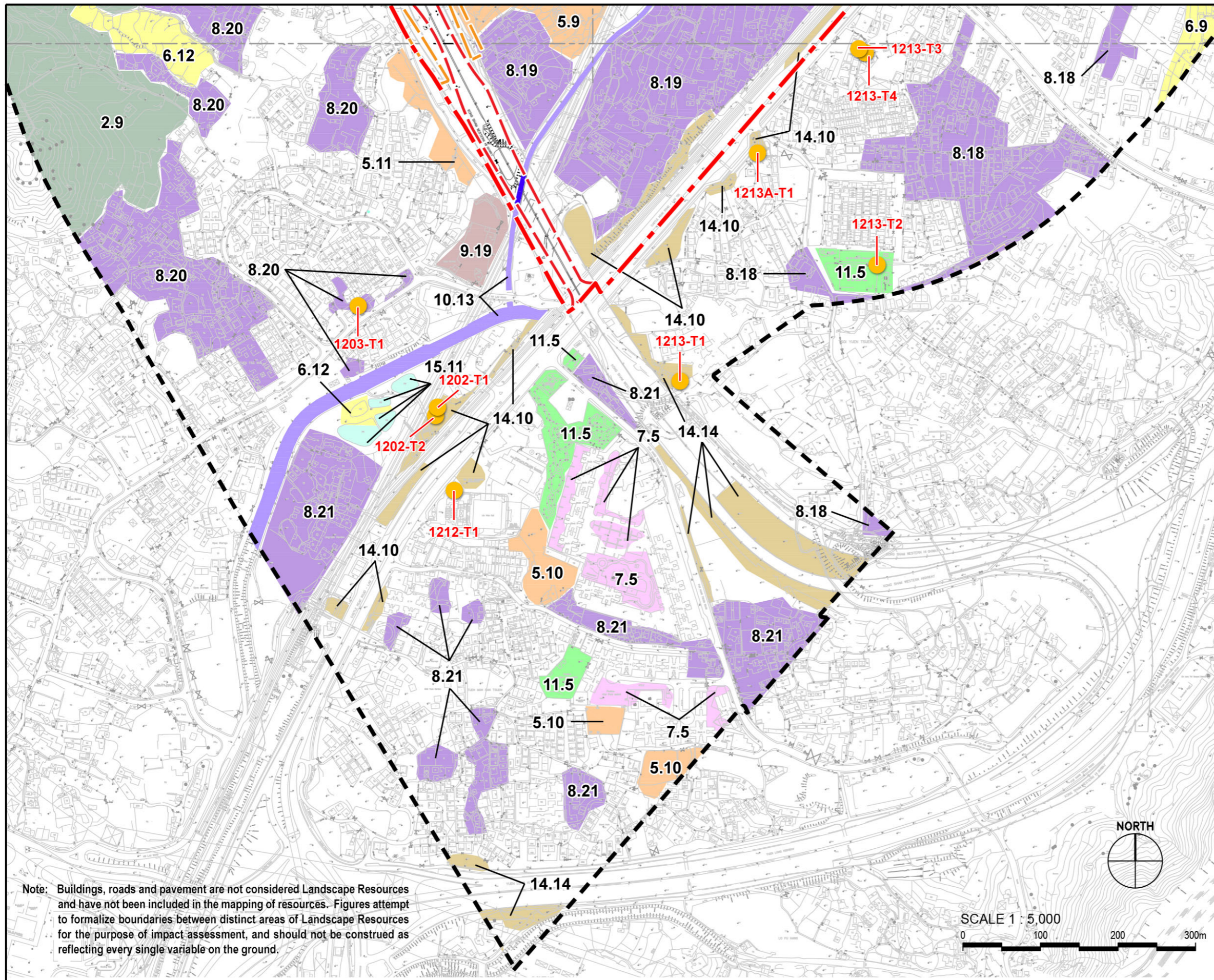


Note: In this report, buildings, roads and pavement are not considered Landscape Resources and have therefore not been included in the mapping of resources. This report attempts to formalize boundaries between distinct areas of Landscape Resources for the purpose of impact assessment, and should not be construed as reflecting every single variable on the ground.



Agreement No. CE 2/2011 (CE)
 Hung Shui Kiu New Development Area Planning and Engineering Study - Investigation
Landscape Resource Impacts Enlargement Plan 09

SCALE	1:5,000@A3	DATE	AUG 2016
CHECK	AM	DRAWN	LW
JOB No.	60222570	FIGURE	11.22i
		REV	



KEYPLAN

- LEGEND**
- 500m Assessment Area Boundary
 - Project Boundary
 - DP1
 - DP2
 - DP5
 - DP6
 - DP12
-
- LR2 Hillside Woodland Impacted Area
 - LR4 Low-lying Woodland/Plantation Impacted Area
 - LR5 Low-lying Shrub & Grassland Impacted Area
 - LR6 Vegetation on Agricultural Land Impacted Area
 - LR8 Vegetation within Rural Village Impacted Area
 - LR9 Vegetation within Industrial Impacted Area
 - LR10 Watercourse Impacted Area
 - LR12 Vegetation on Modified Slopes Impacted Area
 - LR14 Roadside Vegetation Impacted Area
 - LR15 Waterbodies Impacted Area
 - LR18 Important Tree

Note: Buildings, roads and pavement are not considered Landscape Resources and have not been included in the mapping of resources. Figures attempt to formalize boundaries between distinct areas of Landscape Resources for the purpose of impact assessment, and should not be construed as reflecting every single variable on the ground.



Agreement No. CE 2/2011 (CE)
 Hung Shui Kiu New Development Area Planning and Engineering Study - Investigation
Landscape Resource Impacts Enlargement Plan 10

SCALE	1:5,000@A3	DATE	AUG 2016
CHECK	AM	DRAWN	LW
JOB No.	60222570	FIGURE	11.22j
		REV	