

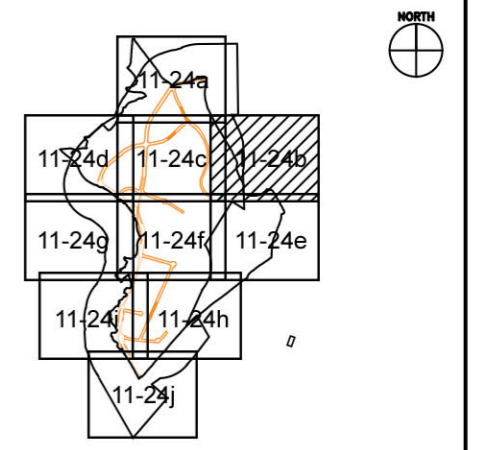
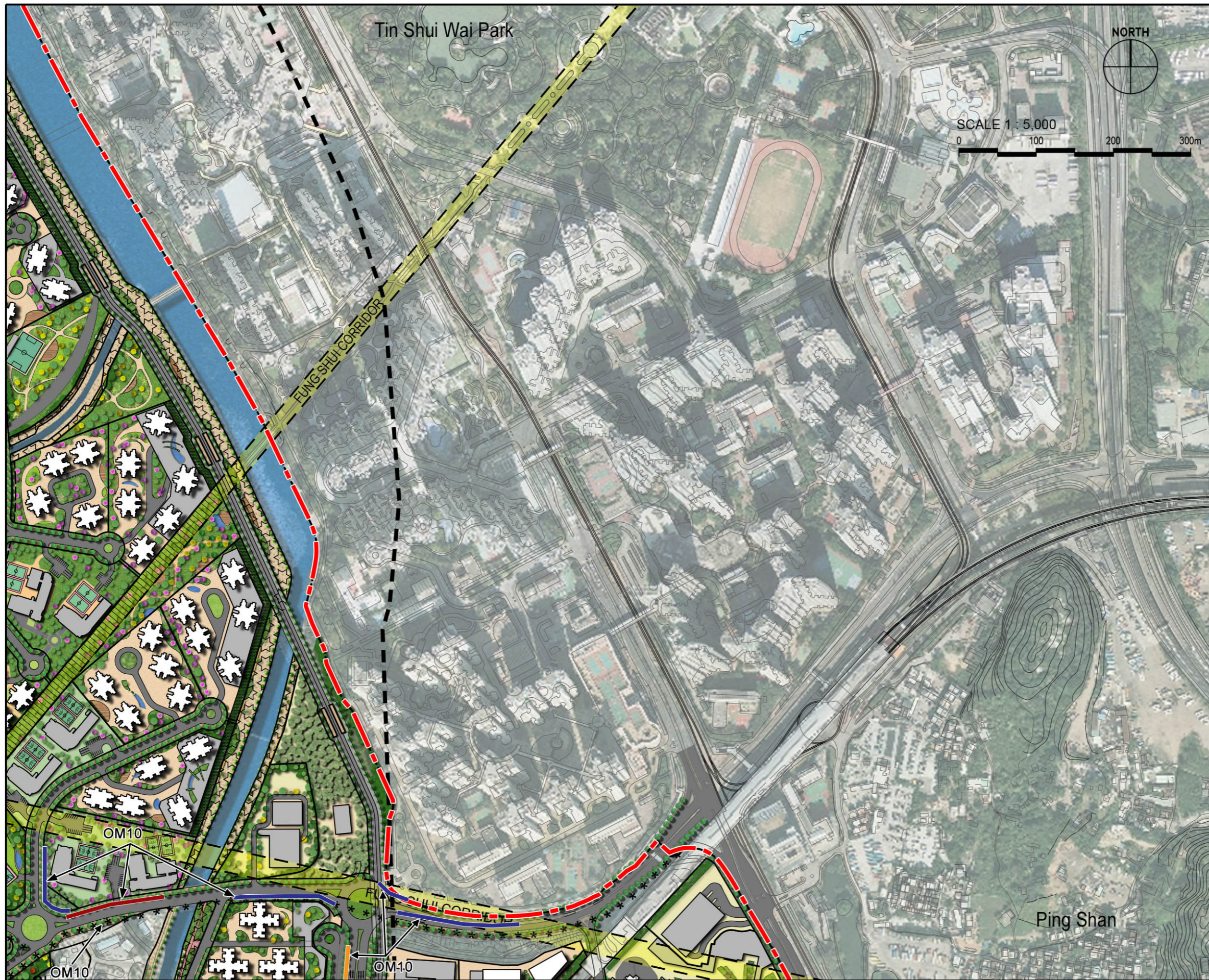
- LEGEND**
- 500m Assessment Area Boundary
  - - - Project Boundary
  - DP1
  - DP2
  - DP5
  - DP6
  - DP12
  - 3m Vertical Barrier
  - 4m Vertical Barrier
  - 5m Vertical Barrier
  - 6m Vertical Barrier
  - 7m Vertical Barrier
  - 5.5+2.5m at 45° Cantilever
  - 6+4.2m at 45° Cantilever

- Mitigation Measures**
- Construction Mitigation (CM)**
- CM1 – Minimised construction area and contractor's temporary works areas
  - CM2 – Stripping and storing of topsoil
  - CM3 – Protection of existing trees
  - CM4 – Transplantation of existing trees where practical
  - CM5 – Control of night-time lighting
  - CM6 – Construction of decorative hoarding around construction works
  - CM7 – Reduction of construction period to practical minimum
  - CM8 – Prevention of run-off
  - CM9 – Phasing of construction stage
  - CM10 – Advance screen planting
  - CM11 – Minimise disturbance footprints
  - CM12 – Protection of existing water courses
  - CM13 – Hydroseeding on modified slopes
  - CM14 – Integrate open space network with existing nullah conditions
- Operation Mitigation (OM)**
- OM1 – Compensatory tree planting where practical
  - OM3 – Sensitive design of hardscape elements along roadsides
  - OM4 – Reinstatement of streetscape elements
  - OM6 – Quality greening along roadside amenity strips
  - OM7 – Design of street lighting
  - OM10 – Sensitive design of noise barriers and enclosures
  - OM14 – Greening of viaduct structures and noise barriers
- Note: CM1 - CM14, and other mitigation measures not shown in these figures, are considered best practices throughout the entire NDA and should be implemented to the fullest extent possible.



Agreement No. CE 2/2011 (CE)  
 Hung Shui Kiu New Development Area Planning and Engineering Study - Investigation  
**Mitigation Measures Enlargement Plan 01**

SCALE	1:5,000@A3	DATE	AUG 2016
CHECK	AM	DRAWN	PN
JOB No.	60222570	FIGURE	11.24a
		REV	



KEYPLAN

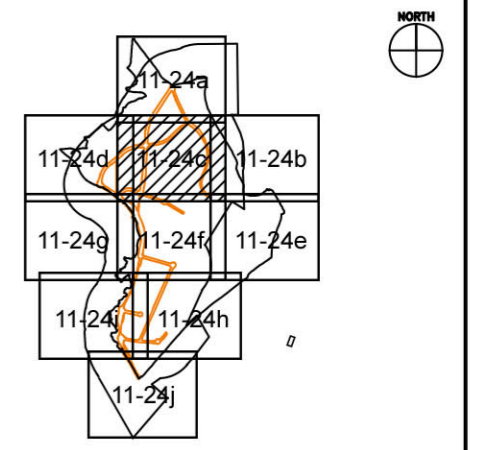
- LEGEND**
- 500m Assessment Area Boundary
  - - - Project Boundary
  - DP1
  - DP2
  - DP5
  - DP6
  - DP12
  - 3m Vertical Barrier
  - 4m Vertical Barrier
  - 5m Vertical Barrier
  - 6m Vertical Barrier
  - 7m Vertical Barrier
  - 5.5+2.5m at 45° Cantilever
  - 6+4.2m at 45° Cantilever

- Mitigation Measures**
- Construction Mitigation (CM)**
- CM1 – Minimised construction area and contractor's temporary works areas
  - CM2 – Stripping and storing of topsoil
  - CM3 – Protection of existing trees
  - CM4 – Transplantation of existing trees where practical
  - CM5 – Control of night-time lighting
  - CM6 – Construction of decorative hoarding around construction works
  - CM7 – Reduction of construction period to practical minimum
  - CM8 – Prevention of run-off
  - CM9 – Phasing of construction stage
  - CM10 – Advance screen planting
  - CM11 – Minimise disturbance footprints
  - CM12 – Protection of existing water courses
  - CM13 – Hydroseeding on modified slopes
  - CM14 – Integrate open space network with existing nullah conditions
- Operation Mitigation (OM)**
- OM1 – Compensatory tree planting where practical
  - OM3 – Sensitive design of hardscape elements along roadsides
  - OM4 – Reinstatement of streetscape elements
  - OM6 – Quality greening along roadside amenity strips
  - OM7 – Design of street lighting
  - OM10 – Sensitive design of noise barriers and enclosures
  - OM14 – Greening of viaduct structures and noise barriers
- Note: CM1 - CM14, and other mitigation measures not shown in these figures, are considered best practices throughout the entire NDA and should be implemented to the fullest extent possible.



Agreement No. CE 2/2011 (CE)  
 Hung Shui Kiu New Development Area Planning and Engineering Study - Investigation  
**Mitigation Measure Enlargement Plan 02**

SCALE	1:5,000@A3	DATE	AUG 2016
CHECK	AM	DRAWN	PN
JOB No.	60222570	FIGURE	11.24b
		REV	



KEYPLAN

**LEGEND**

- 500m Assessment Area Boundary
- Project Boundary
- DP1
- DP2
- DP5
- DP6
- DP12
- 3m Vertical Barrier
- 4m Vertical Barrier
- 5m Vertical Barrier
- 6m Vertical Barrier
- 7m Vertical Barrier
- 5.5+2.5m at 45° Cantilever
- 6+4.2m at 45° Cantilever

**Mitigation Measures**

- Construction Mitigation (CM)**
- CM1 – Minimised construction area and contractor's temporary works areas
  - CM2 – Stripping and storing of topsoil
  - CM3 – Protection of existing trees
  - CM4 – Transplantation of existing trees where practical
  - CM5 – Control of night-time lighting
  - CM6 – Construction of decorative hoarding around construction works
  - CM7 – Reduction of construction period to practical minimum
  - CM8 – Prevention of run-off
  - CM9 – Phasing of construction stage
  - CM10 – Advance screen planting
  - CM11 – Minimise disturbance footprints
  - CM12 – Protection of existing water courses
  - CM13 – Hydroseeding on modified slopes
  - CM14 – Integrate open space network with existing nullah conditions
- Operation Mitigation (OM)**
- OM1 – Compensatory tree planting where practical
  - OM3 – Sensitive design of hardscape elements along roadsides
  - OM4 – Reinstatement of streetscape elements
  - OM6 – Quality greening along roadside amenity strips
  - OM7 – Design of street lighting
  - OM10 – Sensitive design of noise barriers and enclosures
  - OM14 – Greening of viaduct structures and noise barriers
- Note: CM1 - CM14, and other mitigation measures not shown in these figures, are considered best practices throughout the entire NDA and should be implemented to the fullest extent possible.

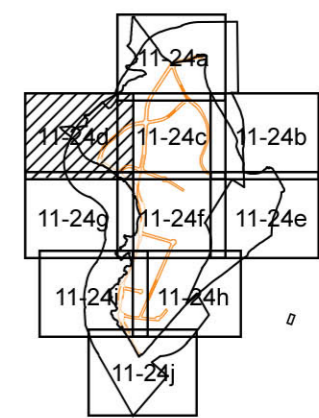


Agreement No. CE 2/2011 (CE)  
 Hung Shui Kiu New Development Area Planning and Engineering Study - Investigation  
**Mitigation Measures Enlargement Plan 03**

SCALE	1:5,000@A3	DATE	AUG 2016
CHECK	AM	DRAWN	PN
JOB No.	60222570	FIGURE	11.24c
		REV	



SCALE 1 : 5,000  
0 100 200 300m



KEYPLAN

- LEGEND**
- 500m Assessment Area Boundary
  - - - Project Boundary
  - - - DP1
  - - - DP2
  - - - DP5
  - - - DP6
  - - - DP12
  - 3m Vertical Barrier
  - 4m Vertical Barrier
  - 5m Vertical Barrier
  - 6m Vertical Barrier
  - 7m Vertical Barrier
  - 5.5+2.5m at 45° Cantilever
  - 6+4.2m at 45° Cantilever

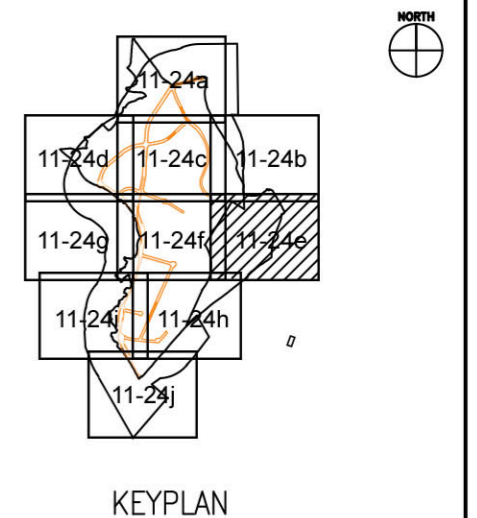
- Mitigation Measures**
- Construction Mitigation (CM)**
- CM1 – Minimised construction area and contractor's temporary works areas
  - CM2 – Stripping and storing of topsoil
  - CM3 – Protection of existing trees
  - CM4 – Transplantation of existing trees where practical
  - CM5 – Control of night-time lighting
  - CM6 – Construction of decorative hoarding around construction works
  - CM7 – Reduction of construction period to practical minimum
  - CM8 – Prevention of run-off
  - CM9 – Phasing of construction stage
  - CM10 – Advance screen planting
  - CM11 – Minimise disturbance footprints
  - CM12 – Protection of existing water courses
  - CM13 – Hydroseeding on modified slopes
  - CM14 – Integrate open space network with existing nullah conditions
- Operation Mitigation (OM)**
- OM1 – Compensatory tree planting where practical
  - OM3 – Sensitive design of hardscape elements along roadsides
  - OM4 – Reinstatement of streetscape elements
  - OM6 – Quality greening along roadside amenity strips
  - OM7 – Design of street lighting
  - OM10 – Sensitive design of noise barriers and enclosures
  - OM14 – Greening of viaduct structures and noise barriers

Note: CM1 - CM14, and other mitigation measures not shown in these figures, are considered best practices throughout the entire NDA and should be implemented to the fullest extent possible.



Agreement No. CE 2/2011 (CE)  
Hung Shui Kiu New Development Area Planning and Engineering Study - Investigation  
**Mitigation Measures Enlargement Plan 04**

SCALE	1:5,000@A3	DATE	AUG 2016
CHECK	AM	DRAWN	PN
JOB No.	60222570	FIGURE	11.24d
		REV	



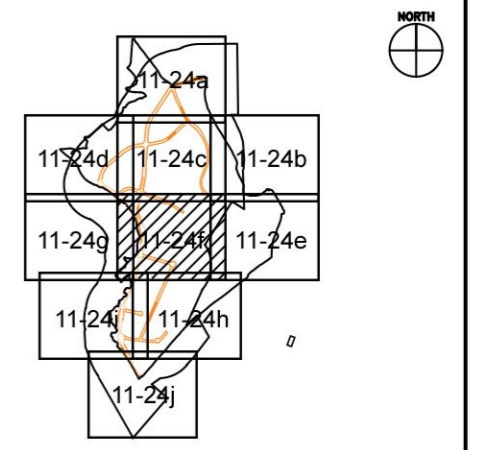
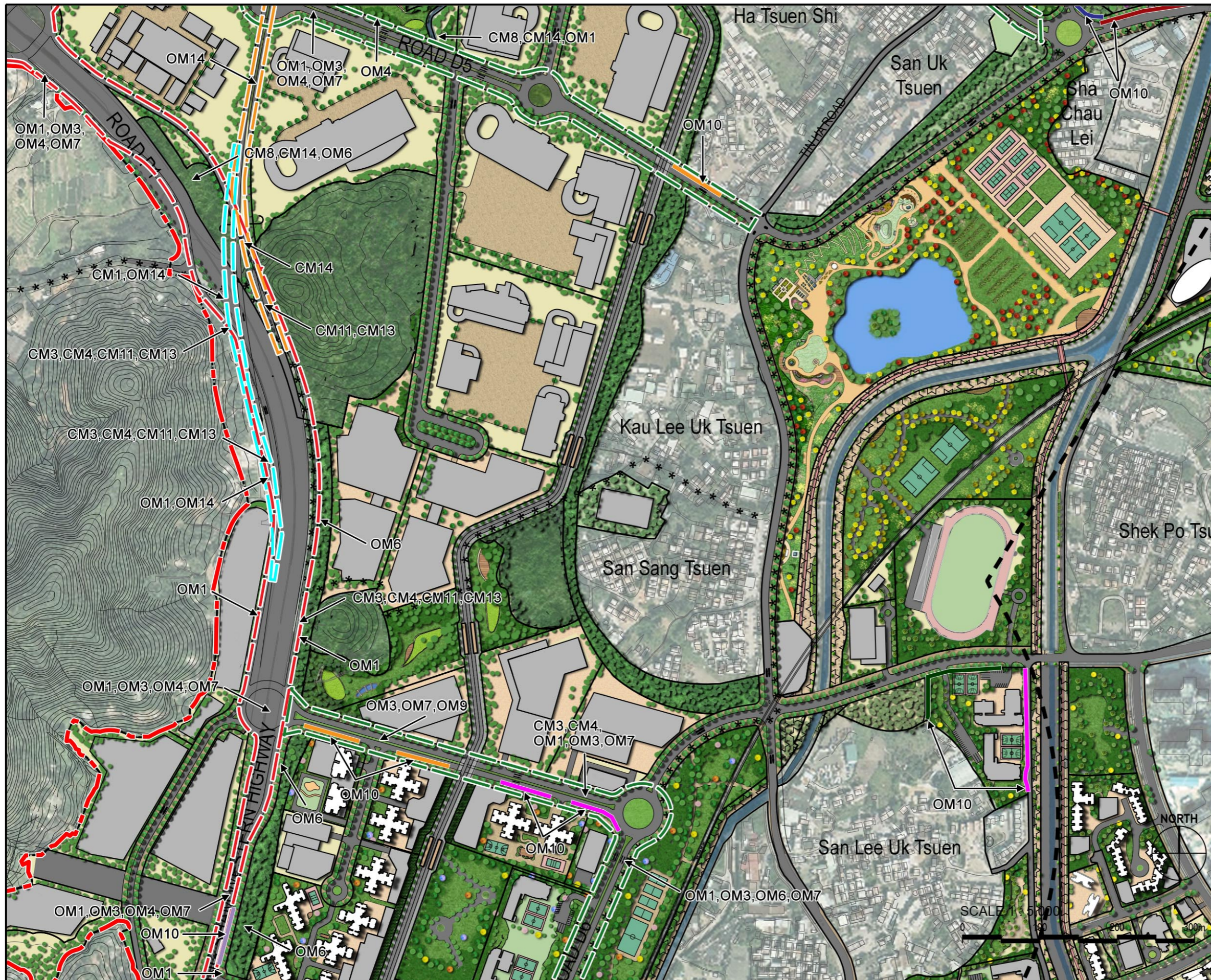
- LEGEND**
- 500m Assessment Area Boundary
  - - - Project Boundary
  - DP1
  - DP2
  - DP5
  - DP6
  - DP12
  - 3m Vertical Barrier
  - 4m Vertical Barrier
  - 5m Vertical Barrier
  - 6m Vertical Barrier
  - 7m Vertical Barrier
  - 5.5+2.5m at 45° Cantilever
  - 6+4.2m at 45° Cantilever

- Mitigation Measures**
- Construction Mitigation (CM)**
- CM1 – Minimised construction area and contractor's temporary works areas
  - CM2 – Stripping and storing of topsoil
  - CM3 – Protection of existing trees
  - CM4 – Transplantation of existing trees where practical
  - CM5 – Control of night-time lighting
  - CM6 – Construction of decorative hoarding around construction works
  - CM7 – Reduction of construction period to practical minimum
  - CM8 – Prevention of run-off
  - CM9 – Phasing of construction stage
  - CM10 – Advance screen planting
  - CM11 – Minimise disturbance footprints
  - CM12 – Protection of existing water courses
  - CM13 – Hydroseeding on modified slopes
  - CM14 – Integrate open space network with existing nullah conditions
- Operation Mitigation (OM)**
- OM1 – Compensatory tree planting where practical
  - OM3 – Sensitive design of hardscape elements along roadsides
  - OM4 – Reinstatement of streetscape elements
  - OM6 – Quality greening along roadside amenity strips
  - OM7 – Design of street lighting
  - OM10 – Sensitive design of noise barriers and enclosures
  - OM14 – Greening of viaduct structures and noise barriers
- Note: CM1 - CM14, and other mitigation measures not shown in these figures, are considered best practices throughout the entire NDA and should be implemented to the fullest extent possible.



Agreement No. CE 2/2011 (CE)  
 Hung Shui Kiu New Development Area Planning and Engineering Study - Investigation  
**Mitigation Measures Enlargement Plan 05**

SCALE	1:5,000@A3	DATE	AUG 2016
CHECK	AM	DRAWN	PN
JOB No.	60222570	FIGURE	11.24e
		REV	



KEYPLAN

- LEGEND**
- 500m Assessment Area Boundary
  - - - Project Boundary
  - DP1
  - DP2
  - DP5
  - DP6
  - DP12
  - 3m Vertical Barrier
  - 4m Vertical Barrier
  - 5m Vertical Barrier
  - 6m Vertical Barrier
  - 7m Vertical Barrier
  - 5.5+2.5m at 45° Cantilever
  - 6+4.2m at 45° Cantilever

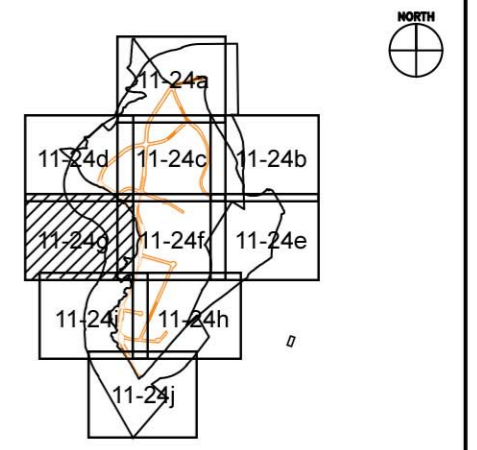
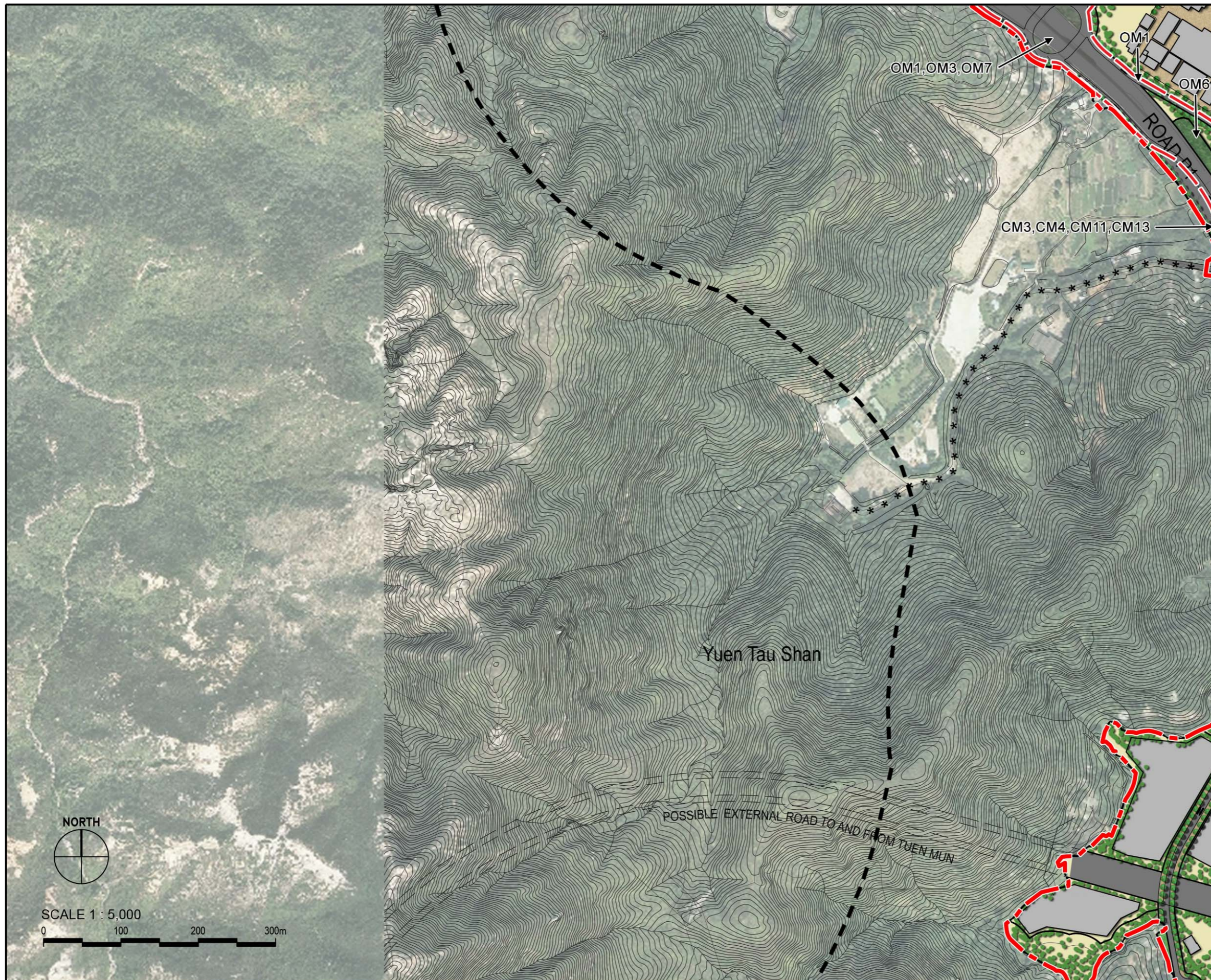
- Mitigation Measures**
- Construction Mitigation (CM)**
- CM1 – Minimised construction area and contractor's temporary works areas
  - CM2 – Stripping and storing of topsoil
  - CM3 – Protection of existing trees
  - CM4 – Transplantation of existing trees where practical
  - CM5 – Control of night-time lighting
  - CM6 – Construction of decorative hoarding around construction works
  - CM7 – Reduction of construction period to practical minimum
  - CM8 – Prevention of run-off
  - CM9 – Phasing of construction stage
  - CM10 – Advance screen planting
  - CM11 – Minimise disturbance footprints
  - CM12 – Protection of existing water courses
  - CM13 – Hydroseeding on modified slopes
  - CM14 – Integrate open space network with existing nullah conditions
- Operation Mitigation (OM)**
- OM1 – Compensatory tree planting where practical
  - OM3 – Sensitive design of hardscape elements along roadsides
  - OM4 – Reinstatement of streetscape elements
  - OM6 – Quality greening along roadside amenity strips
  - OM7 – Design of street lighting
  - OM10 – Sensitive design of noise barriers and enclosures
  - OM14 – Greening of viaduct structures and noise barriers

Note: CM1 - CM14, and other mitigation measures not shown in these figures, are considered best practices throughout the entire NDA and should be implemented to the fullest extent possible.



Agreement No. CE 2/2011 (CE)  
 Hung Shui Kiu New Development Area Planning and Engineering Study - Investigation  
**Mitigation Measures Enlargement Plan 06**

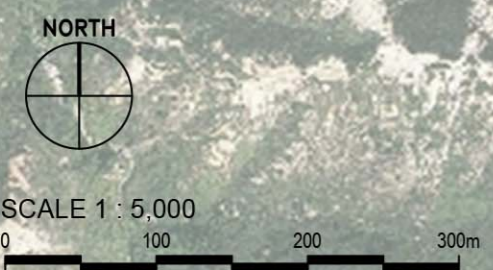
SCALE	1:5,000@A3	DATE	AUG 2016
CHECK	AM	DRAWN	PN
JOB No.	60222570	FIGURE	11.24f
		REV	



KEYPLAN

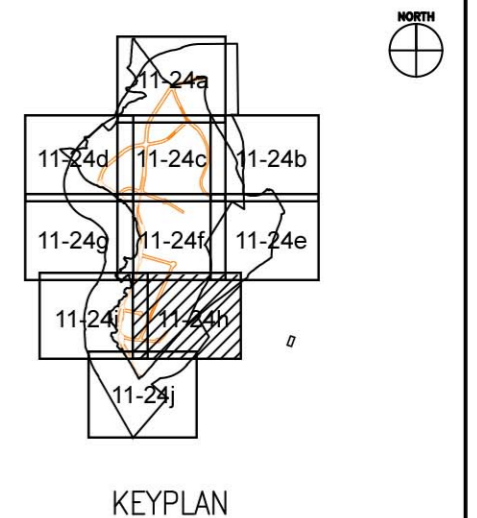
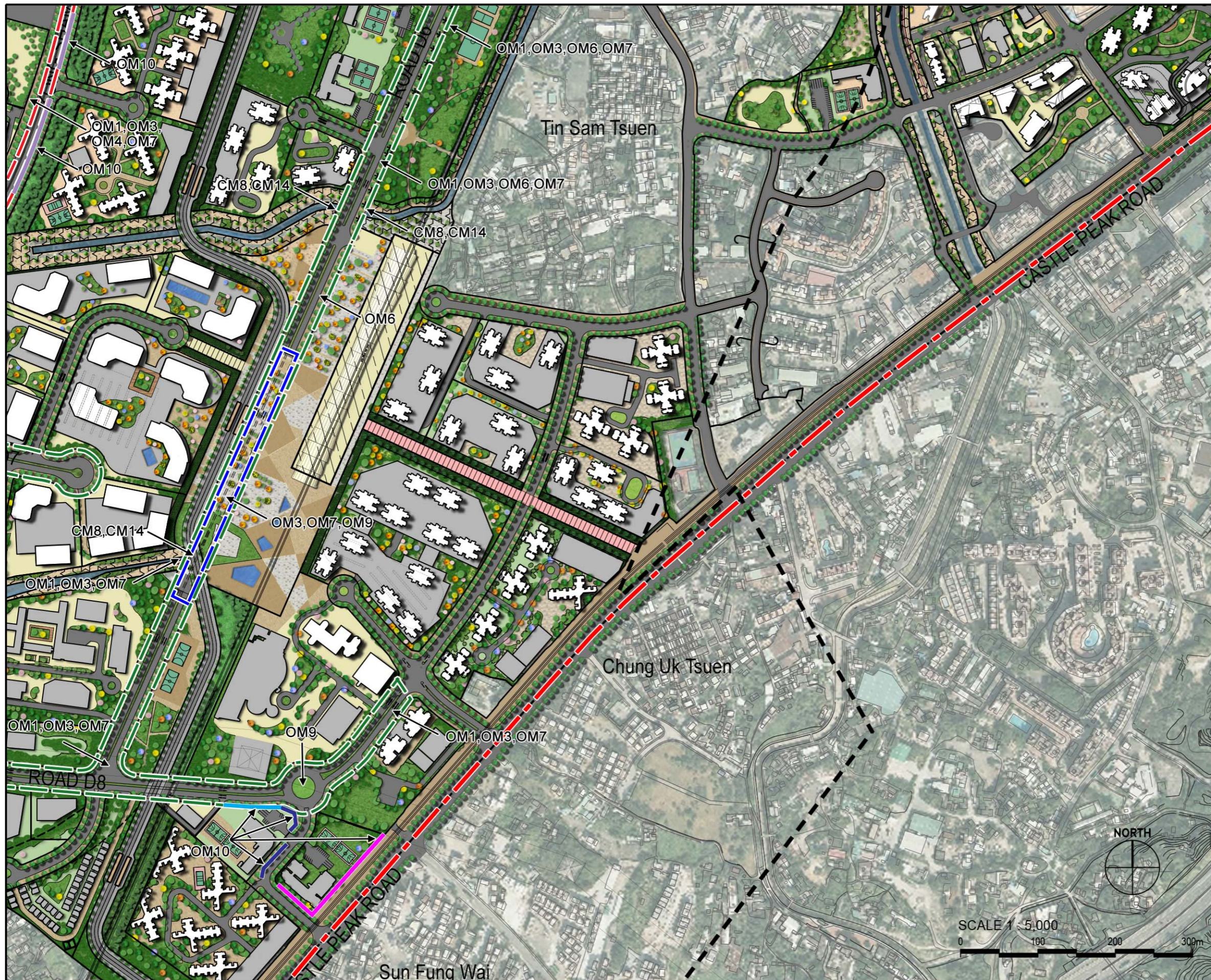
- LEGEND**
- 500m Assessment Area Boundary
  - - - Project Boundary
  - DP1
  - DP2
  - DP5
  - DP6
  - DP12
  - 3m Vertical Barrier
  - 4m Vertical Barrier
  - 5m Vertical Barrier
  - 6m Vertical Barrier
  - 7m Vertical Barrier
  - 5.5+2.5m at 45° Cantilever
  - 6+4.2m at 45° Cantilever

- Mitigation Measures**
- Construction Mitigation (CM)**
- CM1 – Minimised construction area and contractor's temporary works areas
  - CM2 – Stripping and storing of topsoil
  - CM3 – Protection of existing trees
  - CM4 – Transplantation of existing trees where practical
  - CM5 – Control of night-time lighting
  - CM6 – Construction of decorative hoarding around construction works
  - CM7 – Reduction of construction period to practical minimum
  - CM8 – Prevention of run-off
  - CM9 – Phasing of construction stage
  - CM10 – Advance screen planting
  - CM11 – Minimise disturbance footprints
  - CM12 – Protection of existing water courses
  - CM13 – Hydroseeding on modified slopes
  - CM14 – Integrate open space network with existing nullah conditions
- Operation Mitigation (OM)**
- OM1 – Compensatory tree planting where practical
  - OM3 – Sensitive design of hardscape elements along roadsides
  - OM4 – Reinstatement of streetscape elements
  - OM6 – Quality greening along roadside amenity strips
  - OM7 – Design of street lighting
  - OM10 – Sensitive design of noise barriers and enclosures
  - OM14 – Greening of viaduct structures and noise barriers
- Note: CM1 - CM14, and other mitigation measures not shown in these figures, are considered best practices throughout the entire NDA and should be implemented to the fullest extent possible.



Agreement No. CE 2/2011 (CE)  
 Hung Shui Kiu New Development Area Planning and Engineering Study - Investigation  
**Mitigation Measures Enlargement Plan 07**

SCALE	1:5,000@A3	DATE	AUG 2016
CHECK	AM	DRAWN	PN
JOB No.	60222570	FIGURE	11.24g
		REV	



- LEGEND**
- 500m Assessment Area Boundary
  - - - Project Boundary
  - - - DP1
  - - - DP2
  - - - DP5
  - - - DP6
  - - - DP12
  - 3m Vertical Barrier
  - 4m Vertical Barrier
  - 5m Vertical Barrier
  - 6m Vertical Barrier
  - 7m Vertical Barrier
  - 5.5+2.5m at 45° Cantilever
  - 6+4.2m at 45° Cantilever

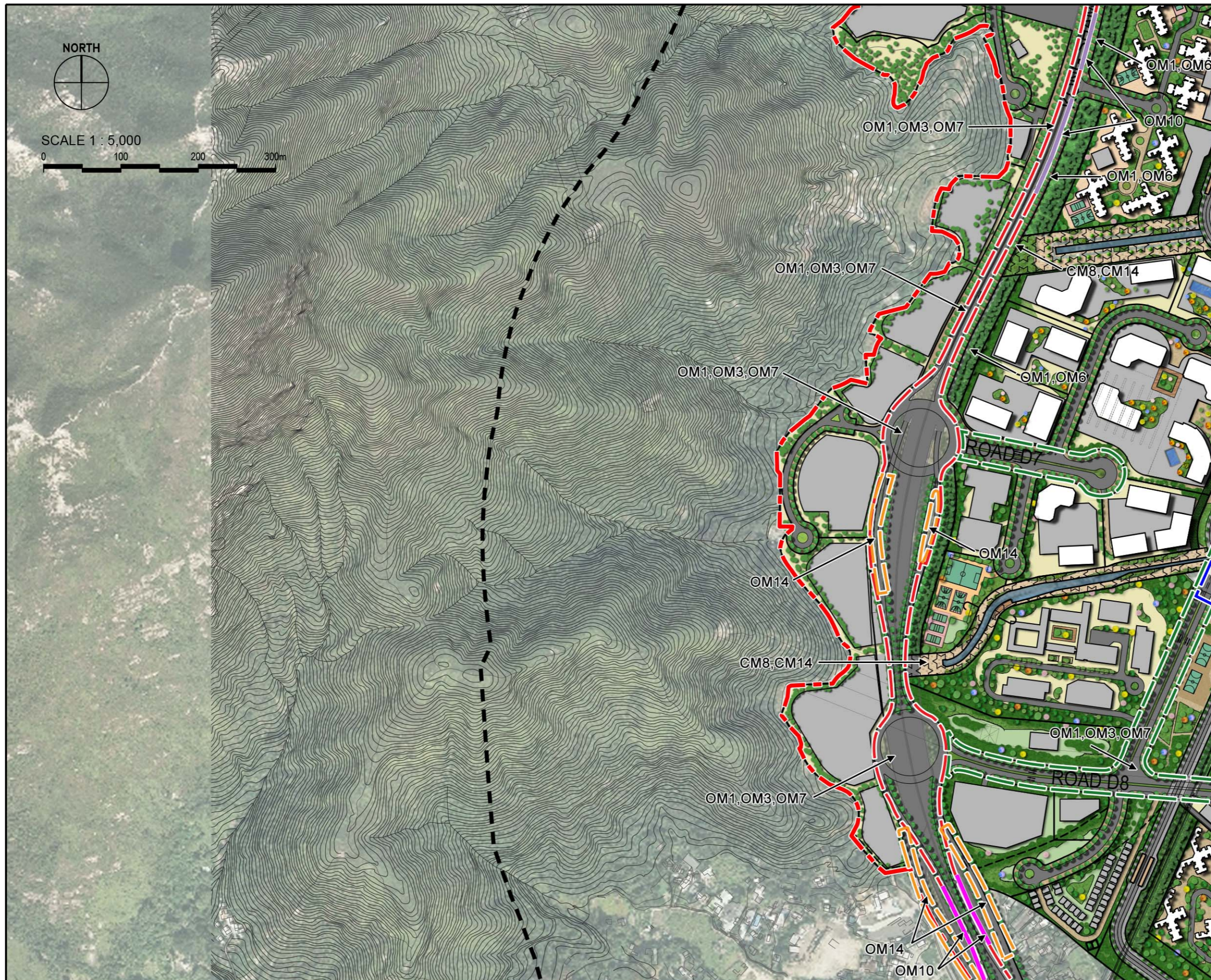
- Mitigation Measures**
- Construction Mitigation (CM)**
- CM1 – Minimised construction area and contractor's temporary works areas
  - CM2 – Stripping and storing of topsoil
  - CM3 – Protection of existing trees
  - CM4 – Transplantation of existing trees where practical
  - CM5 – Control of night-time lighting
  - CM6 – Construction of decorative hoarding around construction works
  - CM7 – Reduction of construction period to practical minimum
  - CM8 – Prevention of run-off
  - CM9 – Phasing of construction stage
  - CM10 – Advance screen planting
  - CM11 – Minimise disturbance footprints
  - CM12 – Protection of existing water courses
  - CM13 – Hydroseeding on modified slopes
  - CM14 – Integrate open space network with existing nullah conditions
- Operation Mitigation (OM)**
- OM1 – Compensatory tree planting where practical
  - OM3 – Sensitive design of hardscape elements along roadsides
  - OM4 – Reinstatement of streetscape elements
  - OM6 – Quality greening along roadside amenity strips
  - OM7 – Design of street lighting
  - OM10 – Sensitive design of noise barriers and enclosures
  - OM14 – Greening of viaduct structures and noise barriers
- Note: CM1 - CM14, and other mitigation measures not shown in these figures, are considered best practices throughout the entire NDA and should be implemented to the fullest extent possible.



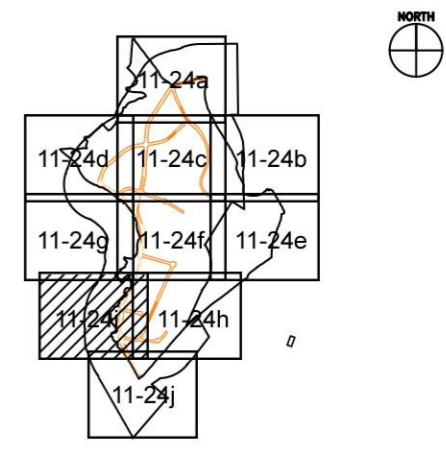
Agreement No. CE 2/2011 (CE)  
 Hung Shui Kiu New Development Area Planning and Engineering Study - Investigation  
**Mitigation Measures Enlargement Plan 08**

SCALE	1:5,000@A3	DATE	AUG 2016
CHECK	AM	DRAWN	PN
JOB No.	60222570	FIGURE	11.24h
		REV	





SCALE 1 : 5,000  
0 100 200 300m



KEYPLAN

**LEGEND**

- 500m Assessment Area Boundary
- - - Project Boundary
- - - DP1
- - - DP2
- - - DP5
- - - DP6
- - - DP12
- 3m Vertical Barrier
- 4m Vertical Barrier
- 5m Vertical Barrier
- 6m Vertical Barrier
- 7m Vertical Barrier
- 5.5+2.5m at 45° Cantilever
- 6+4.2m at 45° Cantilever

**Mitigation Measures**

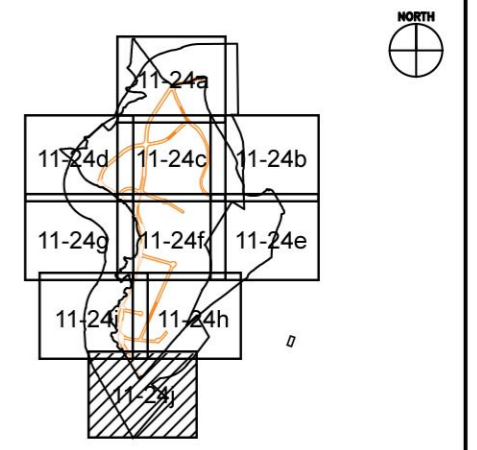
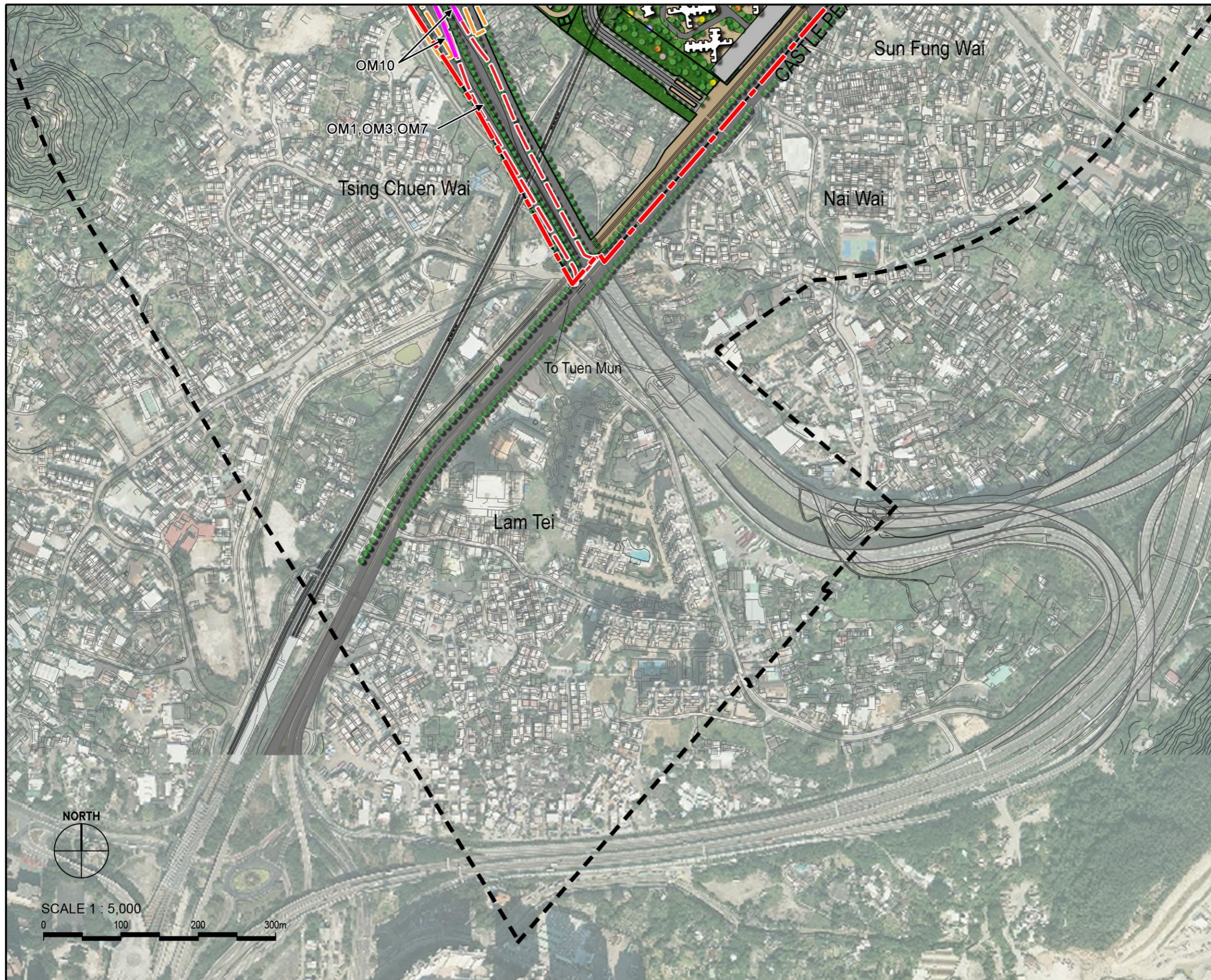
- Construction Mitigation (CM)**
- CM1 – Minimised construction area and contractor's temporary works areas
  - CM2 – Stripping and storing of topsoil
  - CM3 – Protection of existing trees
  - CM4 – Transplantation of existing trees where practical
  - CM5 – Control of night-time lighting
  - CM6 – Construction of decorative hoarding around construction works
  - CM7 – Reduction of construction period to practical minimum
  - CM8 – Prevention of run-off
  - CM9 – Phasing of construction stage
  - CM10 – Advance screen planting
  - CM11 – Minimise disturbance footprints
  - CM12 – Protection of existing water courses
  - CM13 – Hydroseeding on modified slopes
  - CM14 – Integrate open space network with existing nullah conditions
- Operation Mitigation (OM)**
- OM1 – Compensatory tree planting where practical
  - OM3 – Sensitive design of hardscape elements along roadsides
  - OM4 – Reinstatement of streetscape elements
  - OM6 – Quality greening along roadside amenity strips
  - OM7 – Design of street lighting
  - OM10 – Sensitive design of noise barriers and enclosures
  - OM14 – Greening of viaduct structures and noise barriers

Note: CM1 - CM14, and other mitigation measures not shown in these figures, are considered best practices throughout the entire NDA and should be implemented to the fullest extent possible.



Agreement No. CE 2/2011 (CE)  
Hung Shui Kiu New Development Area Planning and Engineering Study - Investigation  
**Mitigation Measures Enlargement Plan 09**

SCALE	1:5,000@A3	DATE	AUG 2016
CHECK	AM	DRAWN	PN
JOB No.	60222570	FIGURE	11.24i
		REV	



KEYPLAN

- LEGEND**
- 500m Assessment Area Boundary
  - - - Project Boundary
  - DP1
  - DP2
  - DP5
  - DP6
  - DP12
  - 3m Vertical Barrier
  - 4m Vertical Barrier
  - 5m Vertical Barrier
  - 6m Vertical Barrier
  - 7m Vertical Barrier
  - 5.5+2.5m at 45° Cantilever
  - 6+4.2m at 45° Cantilever

- Mitigation Measures**
- Construction Mitigation (CM)**
- CM1 – Minimised construction area and contractor's temporary works areas
  - CM2 – Stripping and storing of topsoil
  - CM3 – Protection of existing trees
  - CM4 – Transplantation of existing trees where practical
  - CM5 – Control of night-time lighting
  - CM6 – Construction of decorative hoarding around construction works
  - CM7 – Reduction of construction period to practical minimum
  - CM8 – Prevention of run-off
  - CM9 – Phasing of construction stage
  - CM10 – Advance screen planting
  - CM11 – Minimise disturbance footprints
  - CM12 – Protection of existing water courses
  - CM13 – Hydroseeding on modified slopes
  - CM14 – Integrate open space network with existing nullah conditions
- Operation Mitigation (OM)**
- OM1 – Compensatory tree planting where practical
  - OM3 – Sensitive design of hardscape elements along roadsides
  - OM4 – Reinstatement of streetscape elements
  - OM6 – Quality greening along roadside amenity strips
  - OM7 – Design of street lighting
  - OM10 – Sensitive design of noise barriers and enclosures
  - OM14 – Greening of viaduct structures and noise barriers
- Note: CM1 - CM14, and other mitigation measures not shown in these figures, are considered best practices throughout the entire NDA and should be implemented to the fullest extent possible.

