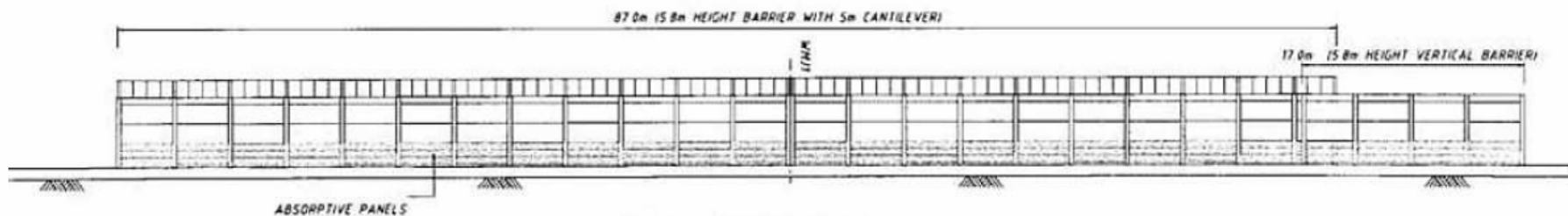
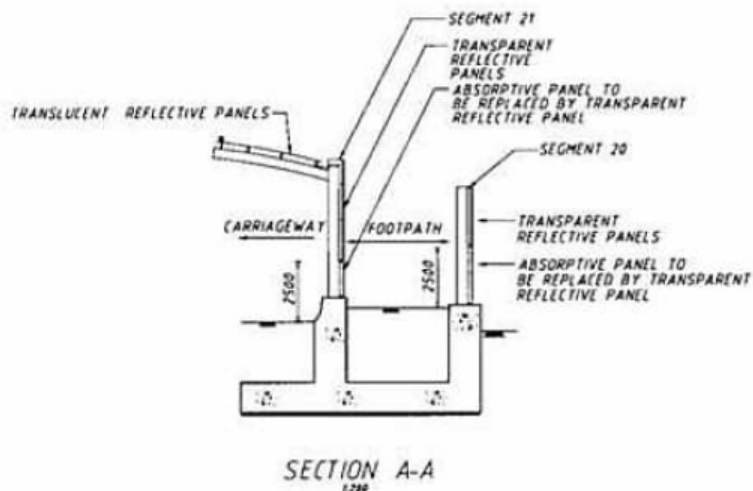


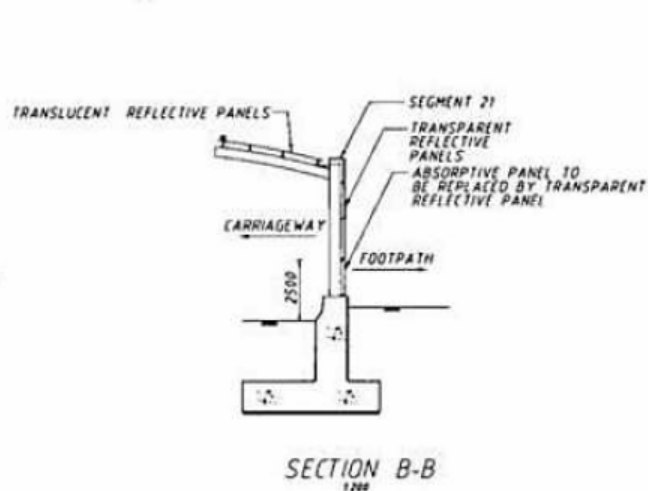
VIEW A - REVISED SCHEME



VIEW A - ORIGINAL SCHEME




SECTION A-A  
1:200



SECTION B-B  
1:200

LEGEND

-  TRANSPARENT REFLECTIVE PANEL
-  ABSORPTIVE PANEL
-  ABSORPTIVE PANEL TO BE REPLACED BY TRANSPARENT REFLECTIVE PANELS

**Project Title : Sha Tin New Town- Stage II,  
Road T3 and Associated  
Roadworks**

**Environmental Permit No.: EP-135/2002/J**

Figure 9 : Extent of the noise barrier segment nos. 20 and 21 where absorptive panels as originally provided to a height of 2.5m above the road level are replaced by transparent reflective panels

(Extracted from the Application for Variation of Environmental Permit (Application No.: VEP-169/2005))

