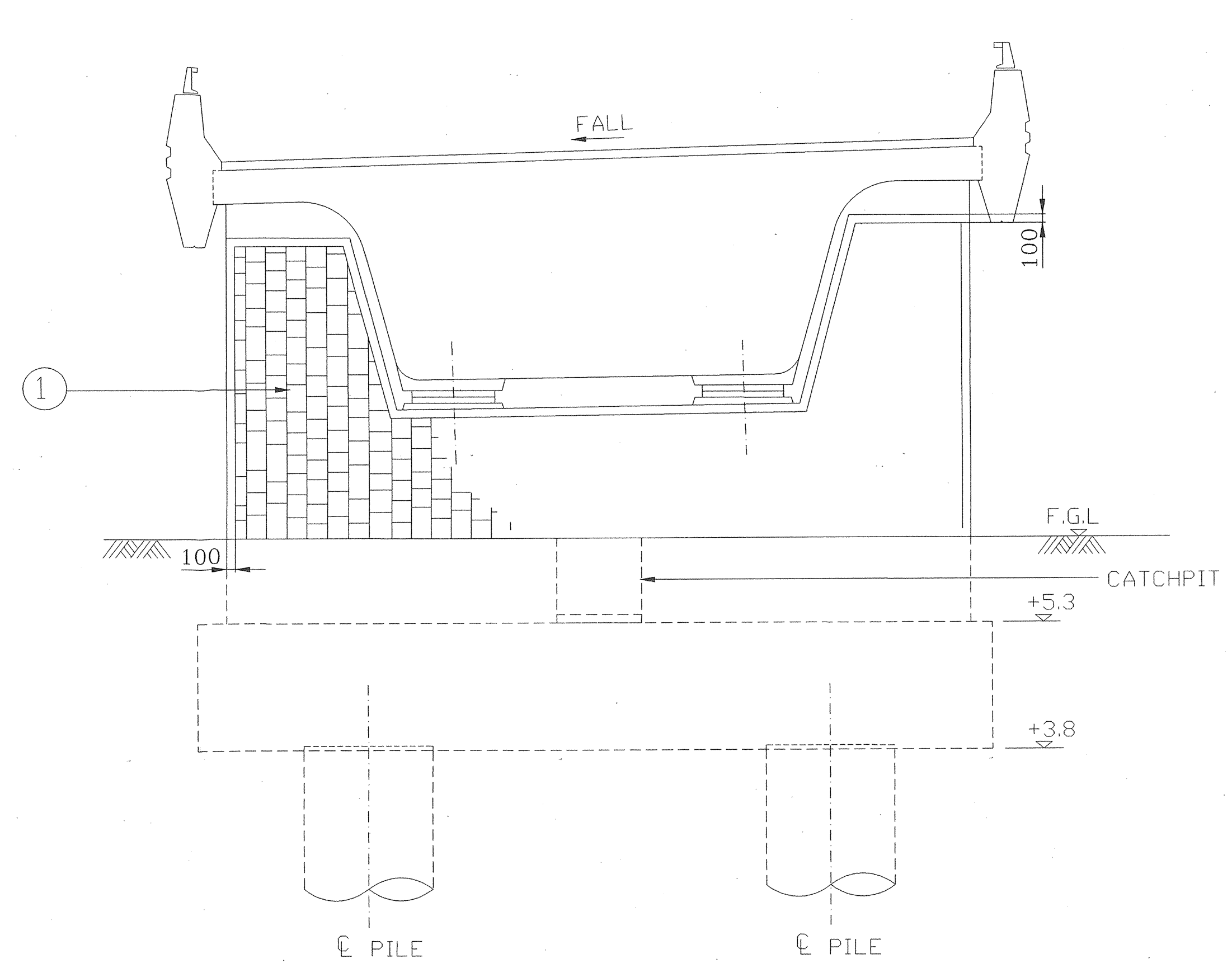
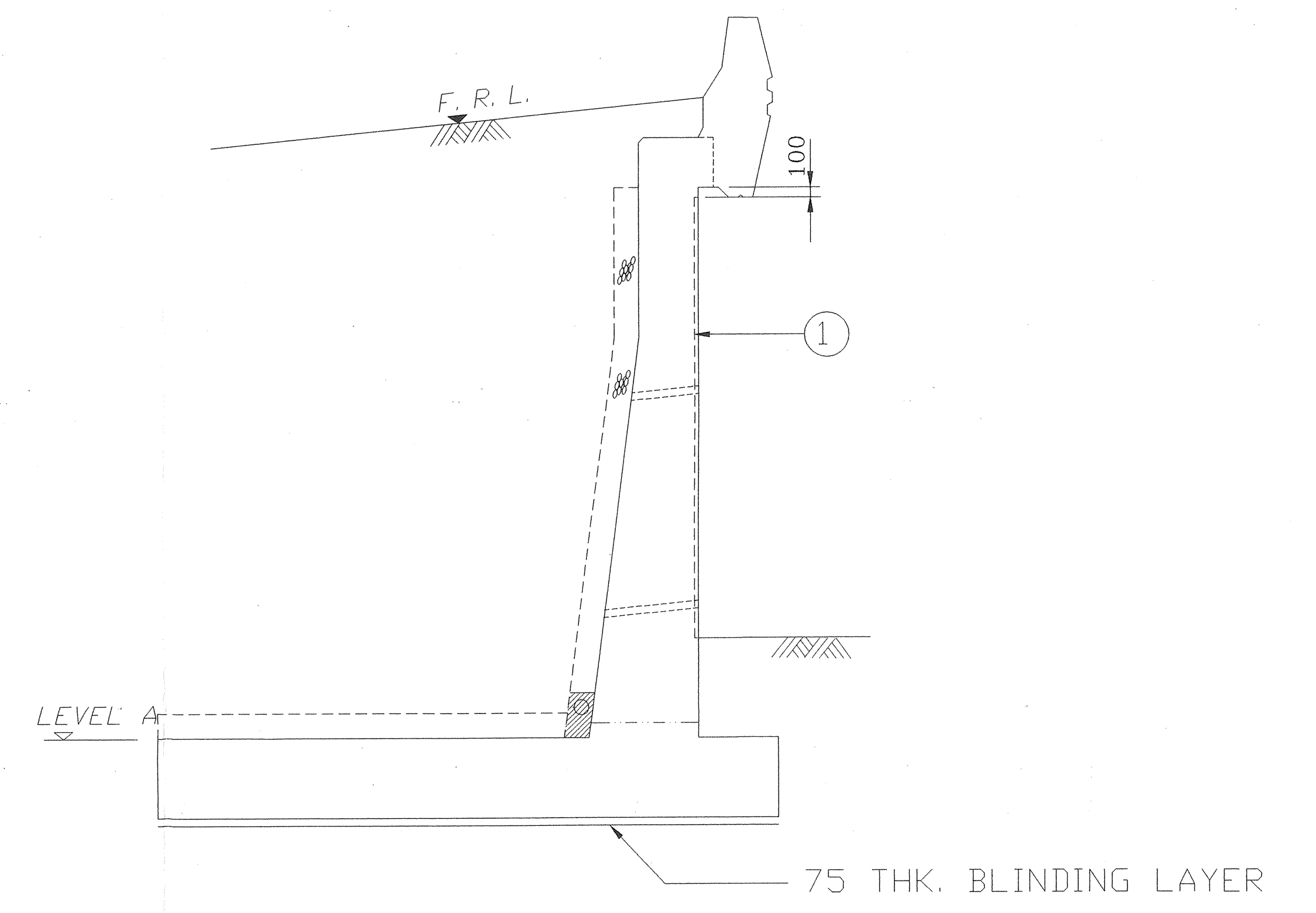


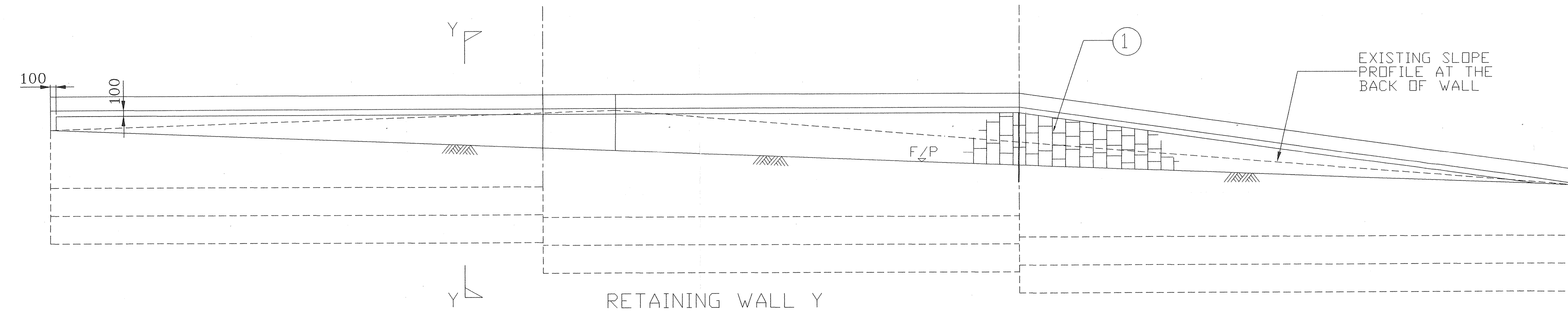
TYPICAL DEVELOPED ELEVATION OF ABUTMENT WALL AND ASSOCIATED RETAINING WALL IN AREA A (SIMILAR FINISH FOR OTHER TYPES OF SUPPORT IN THIS AREA)
SCALE 1 : 100



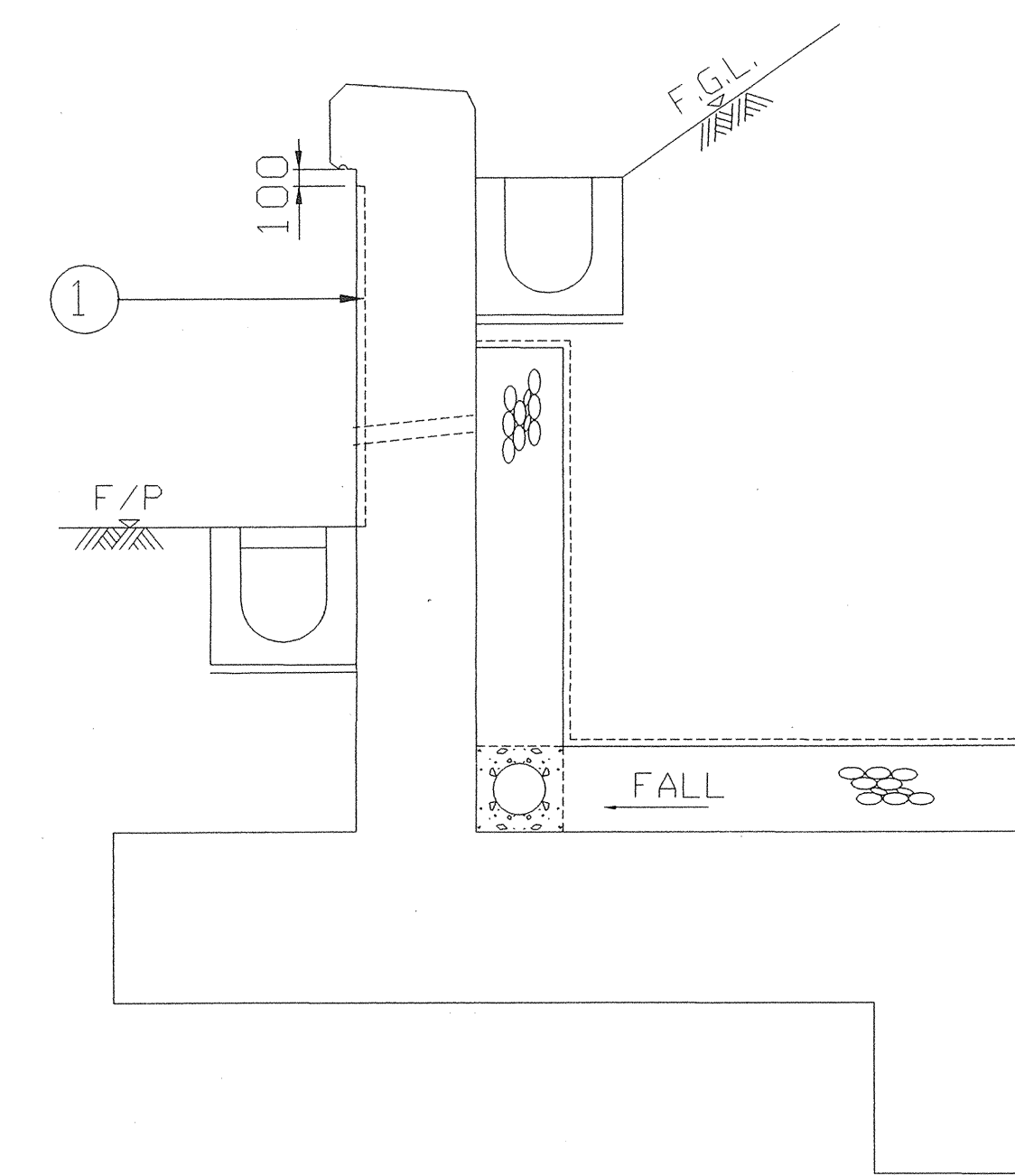
ELEVATION A
SCALE 1 : 50



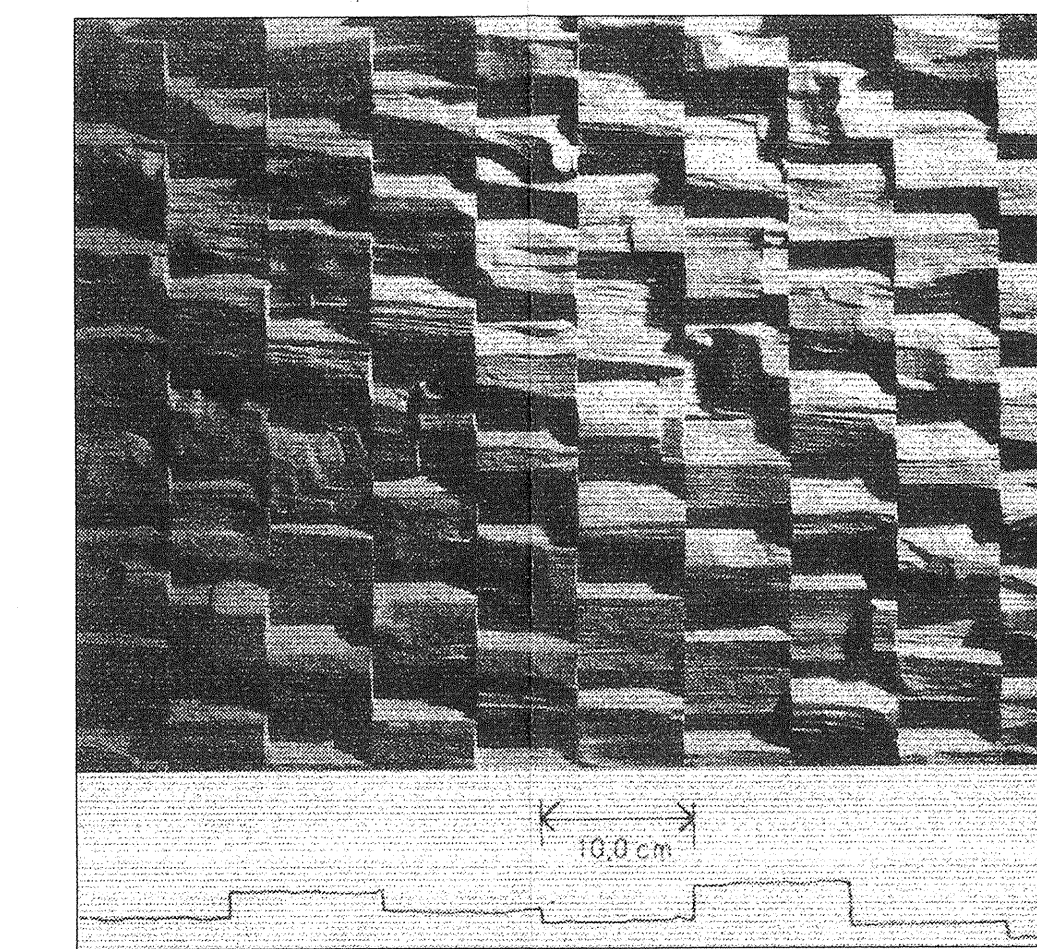
SECTION B-B
SCALE 1 : 40



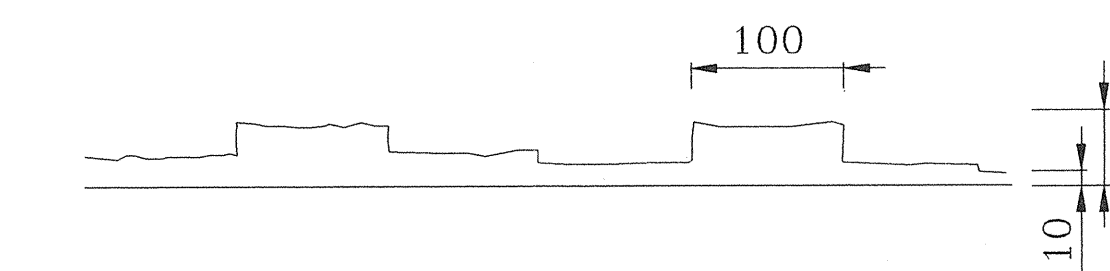
TYPICAL DEVELOPED ELEVATION OF RETAINING WALL IN AREA A (SIMILAR FINISH FOR OTHER TYPES OF SUPPORT IN THIS AREA)
SCALE 1 : 50



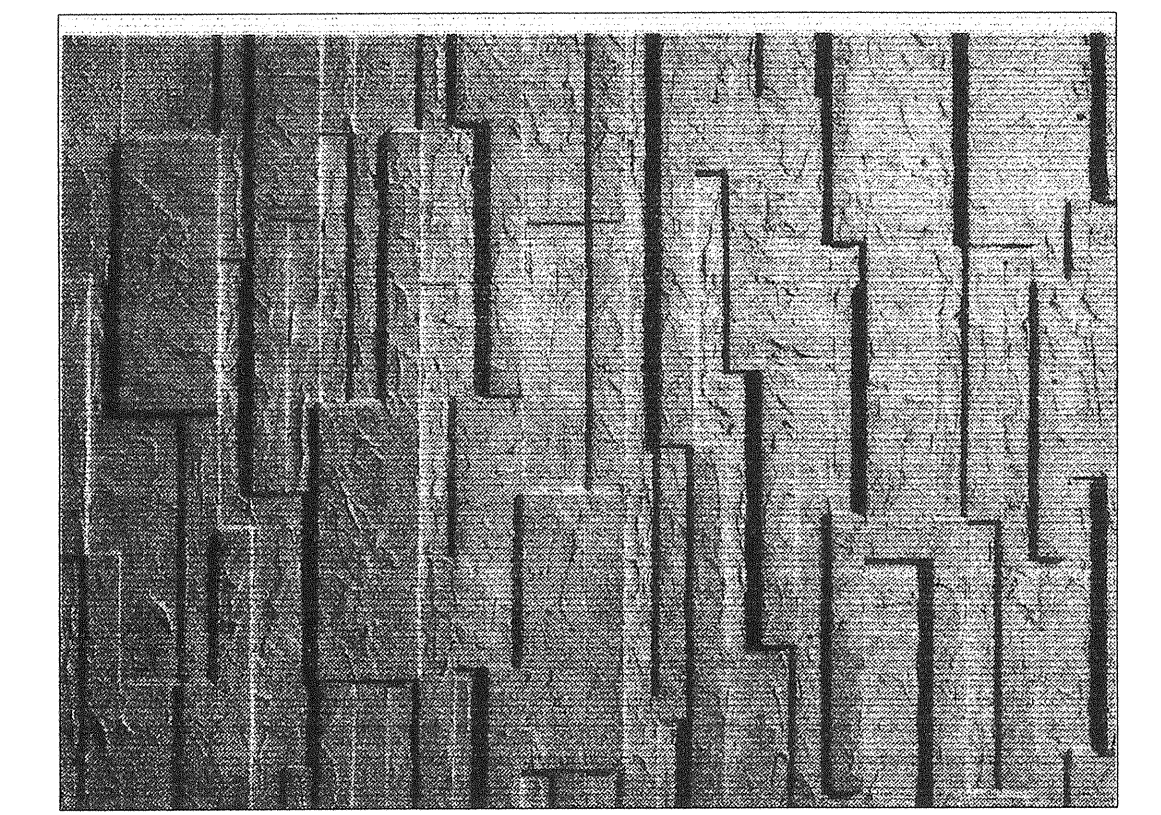
TYPICAL CROSS-SECTION FOR RETAINING WALL Y
SCALE 1 : 40



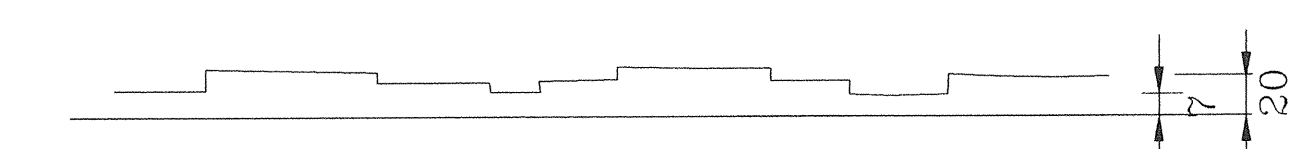
ELEVATION



SECTION
SCALE 1 : 5



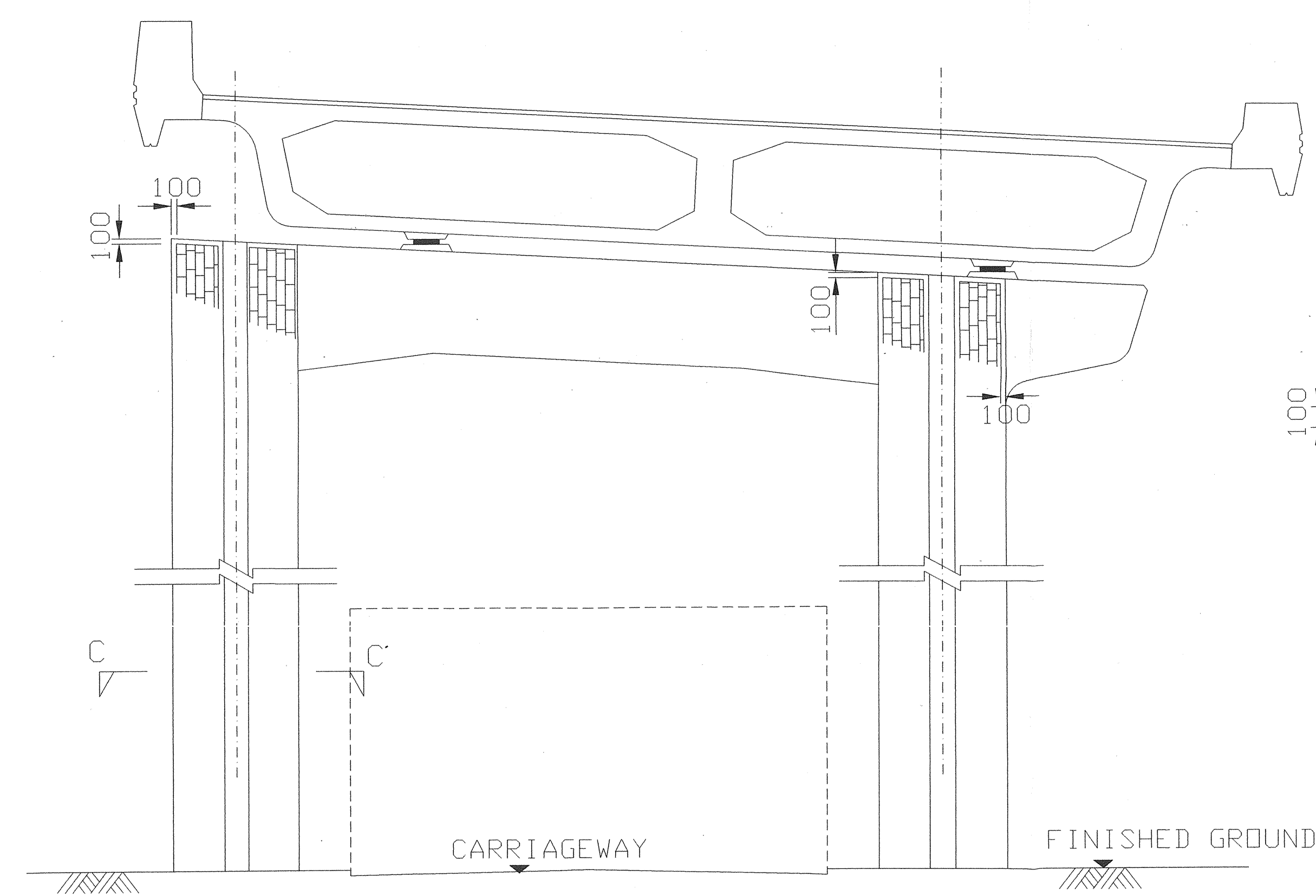
ELEVATION



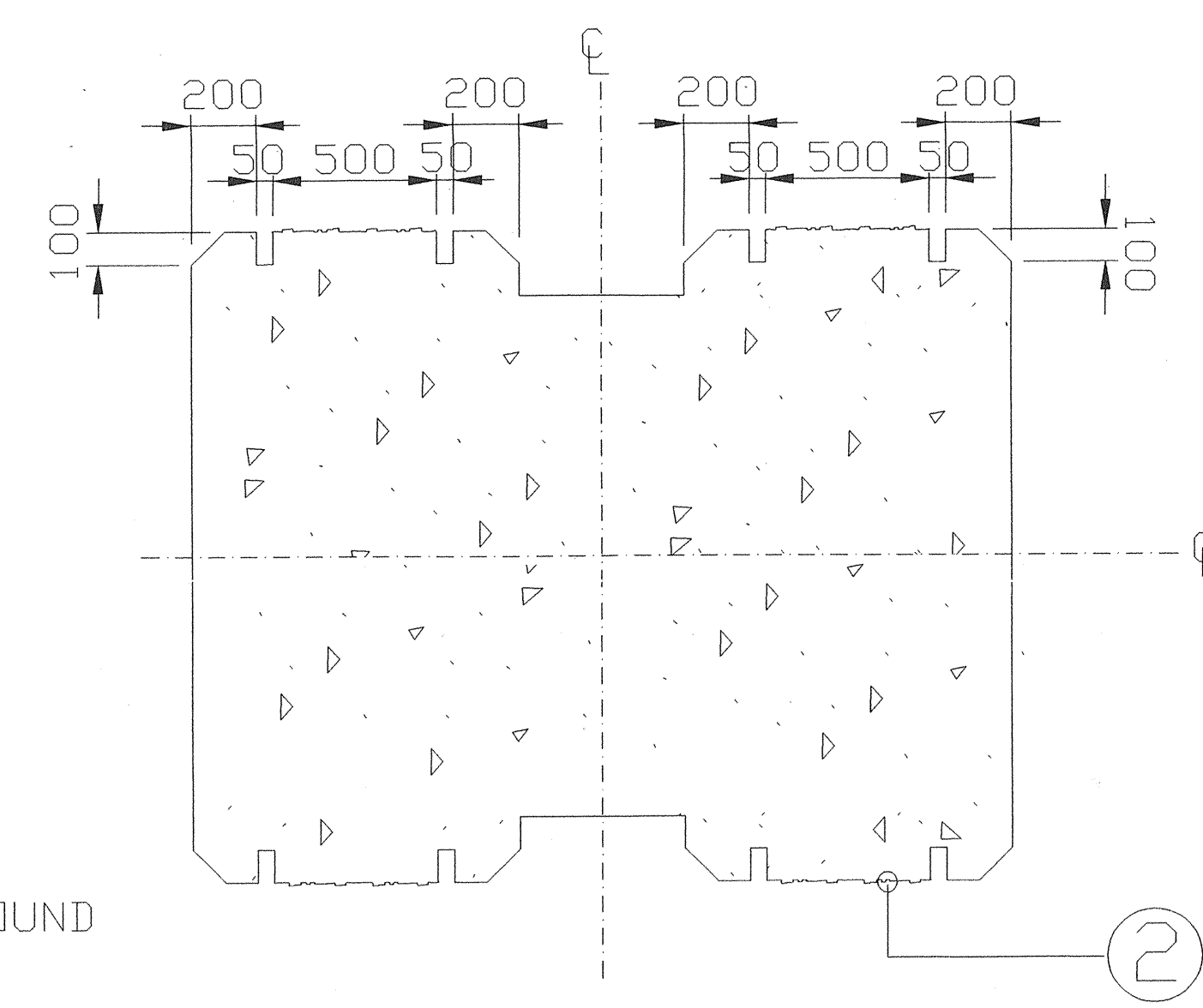
SECTION
SCALE 1 : 5

SPECIFICATION :
RECKLI STRUCTURED SHUTTERING EQUAL OR EQUIVALENT
NO. 1/17 WOLLIN
MOULD SIZE : 1.0m x 5.0m ± 1%
LONGITUDINAL DIRECTION OF STRUCTURE = 5m

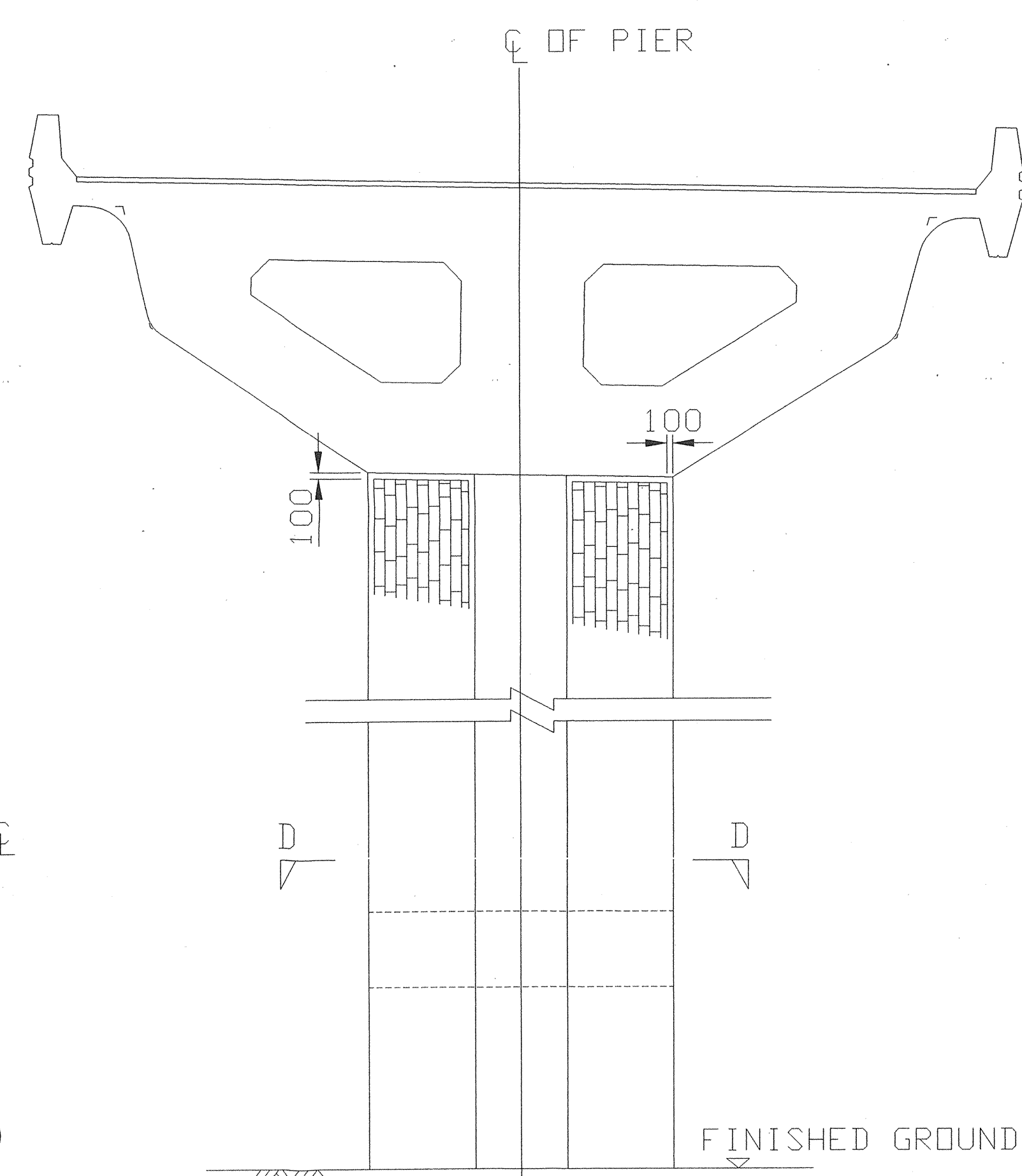
SPECIFICATION :
RECKLI STRUCTURED MATRIX
EQUAL OR EQUIVALENT
NO. 2/49 SAALE
MOULD SIZE : 7.3m x 3.8m.
LONGITUDINAL DIRECTION OF STRUCTURE = 7.3m.
3.8m. x 7.3m.
LONGITUDINAL DIRECTION OF STRUCTURE = 3.8m.
FIXED DIMENSION: 4.0 m. x 1.02 m.
LONGITUDINAL DIRECTION OF STRUCTURE = 4m.
LENGTH OF A PATTERN DETAIL: APPROX. 25cm.



TYPE 13 SUPPORT
TYPICAL DEVELOPED ELEVATION OF PIER SUPPORTS (SIMILAR FINISH FOR OTHER TYPES OF SUPPORT IN THIS AREA)
SCALE 1 : 200

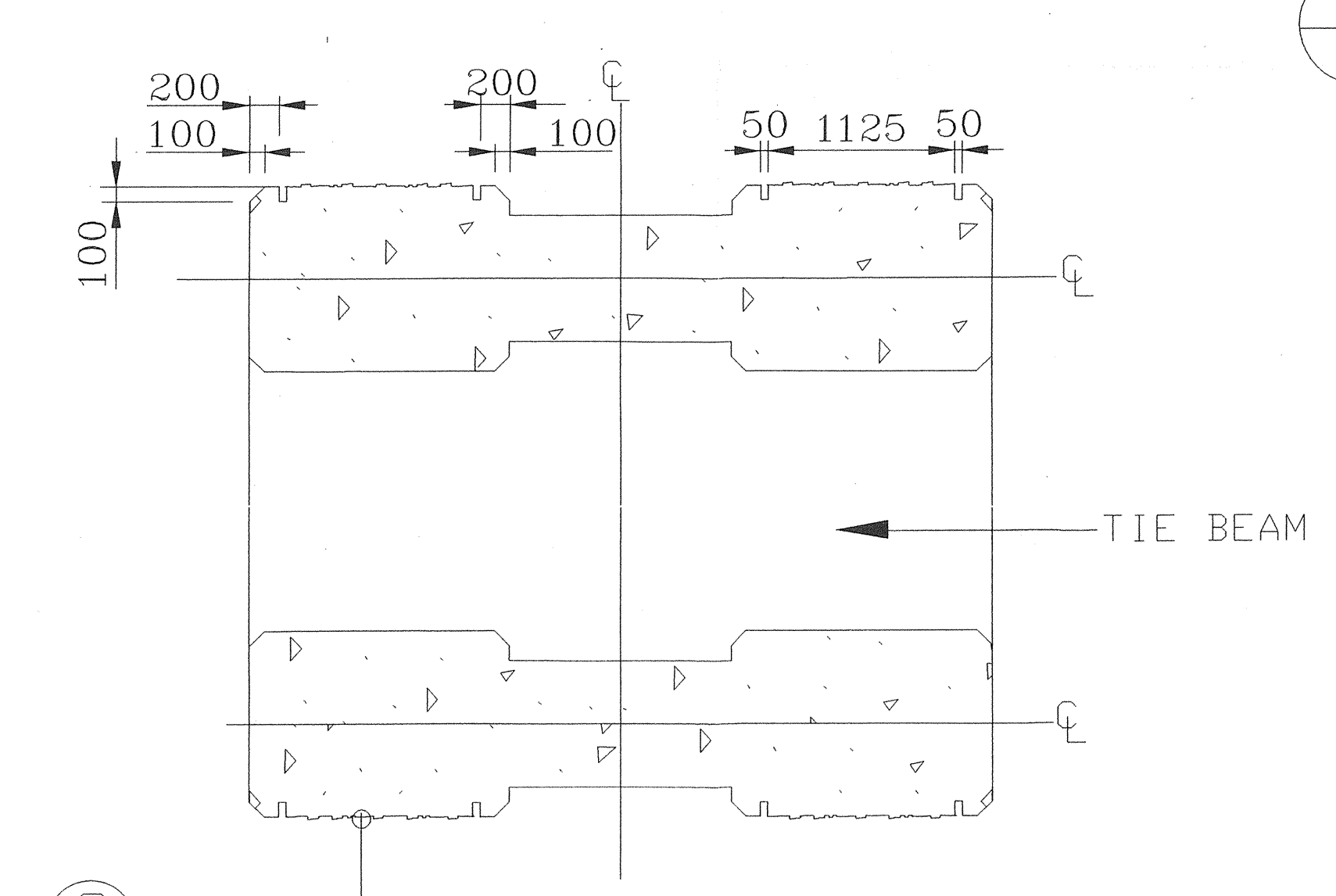


SECTION C-C
SCALE 1 : 20



TYPE 6 SUPPORT
TYPICAL DEVELOPED ELEVATION OF PIER SUPPORTS (SIMILAR FINISH FOR OTHER TYPES OF SUPPORT IN THIS AREA)
SCALE 1 : 200

1 ABUTMENT AND RETAINING WALLS IN AREA A



SECTION D-D
SCALE 1 : 40

2 PIER SURFACE FINISHES IN AREA A

TENDER ADDENDUM NO.2		T73	NY	05/02
FIRST ISSUE TENDER DRAWING		RM4	NSA	07/02
REV	DESCRIPTION	BY	CHECKED	APPROVED
NO.	內容摘要	姓名	姓名	姓名

Territory Development Department 拓展署
NT EAST DEVELOPMENT OFFICE
新界東拓展處

SHA TIN NEW TOWN, STAGE II

ROAD T3 & ASSOCIATED ROADWORKS
ARCHITECTURAL FINISHES
DETAILS (AREA A)

MAUNSELL CONSULTANTS ASIA LTD.
茂盛亞洲工程顧問有限公司

DRG. NO. 63494/2305A
圖紙編號

DESIGNED BY CSY CONTRACT NO. ST 79/02 DATE OF ISSUE 07/02

DRAWN BY ZXC 4 STATUS TENDER DRAWING

SCALE AS SHOWN DIMENSIONS ARE IN MILLIMETRES

© COPYRIGHT RESERVED
版權所有

Mausnell