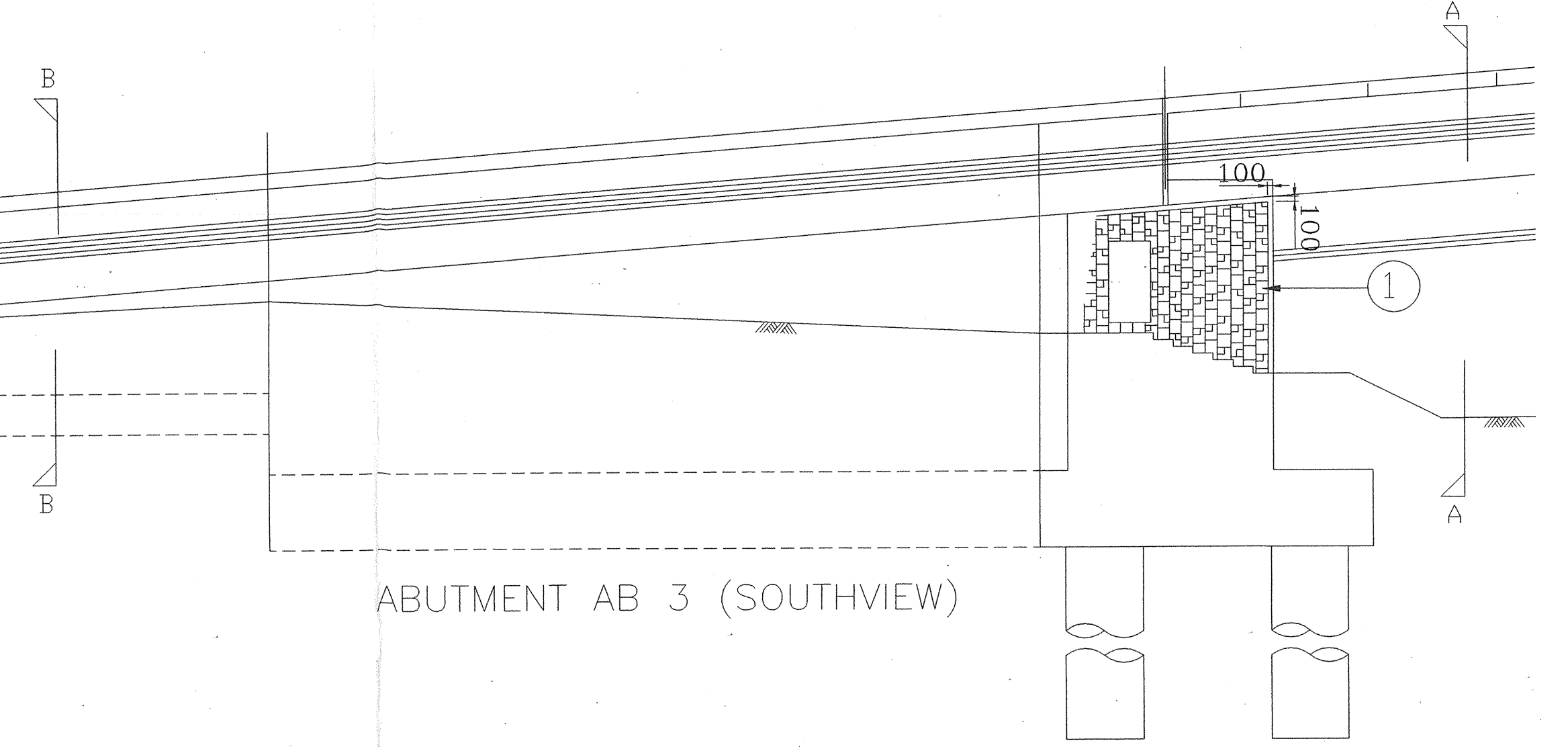
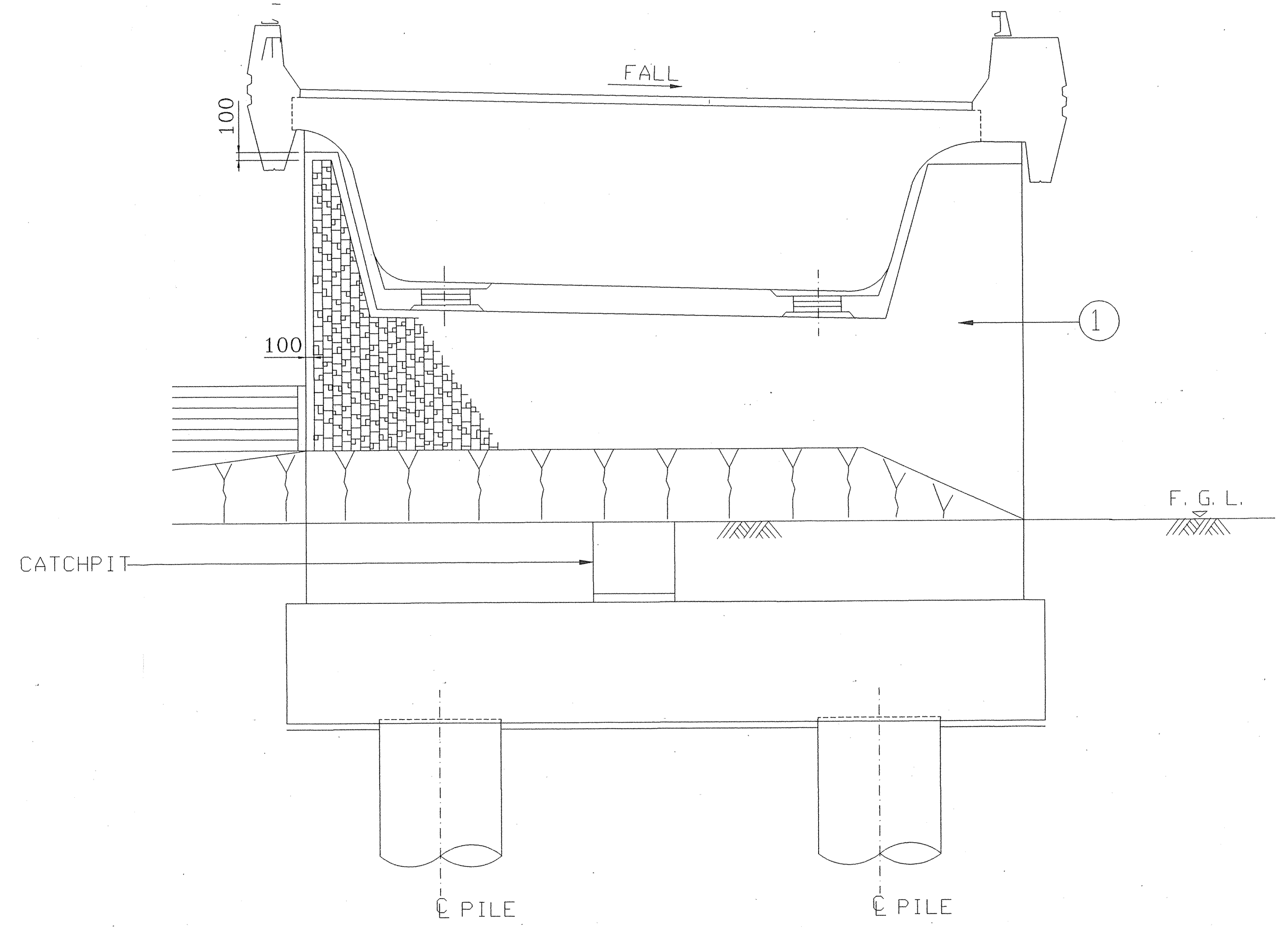


SIMILAR FOR RETAINING ABUTMENT

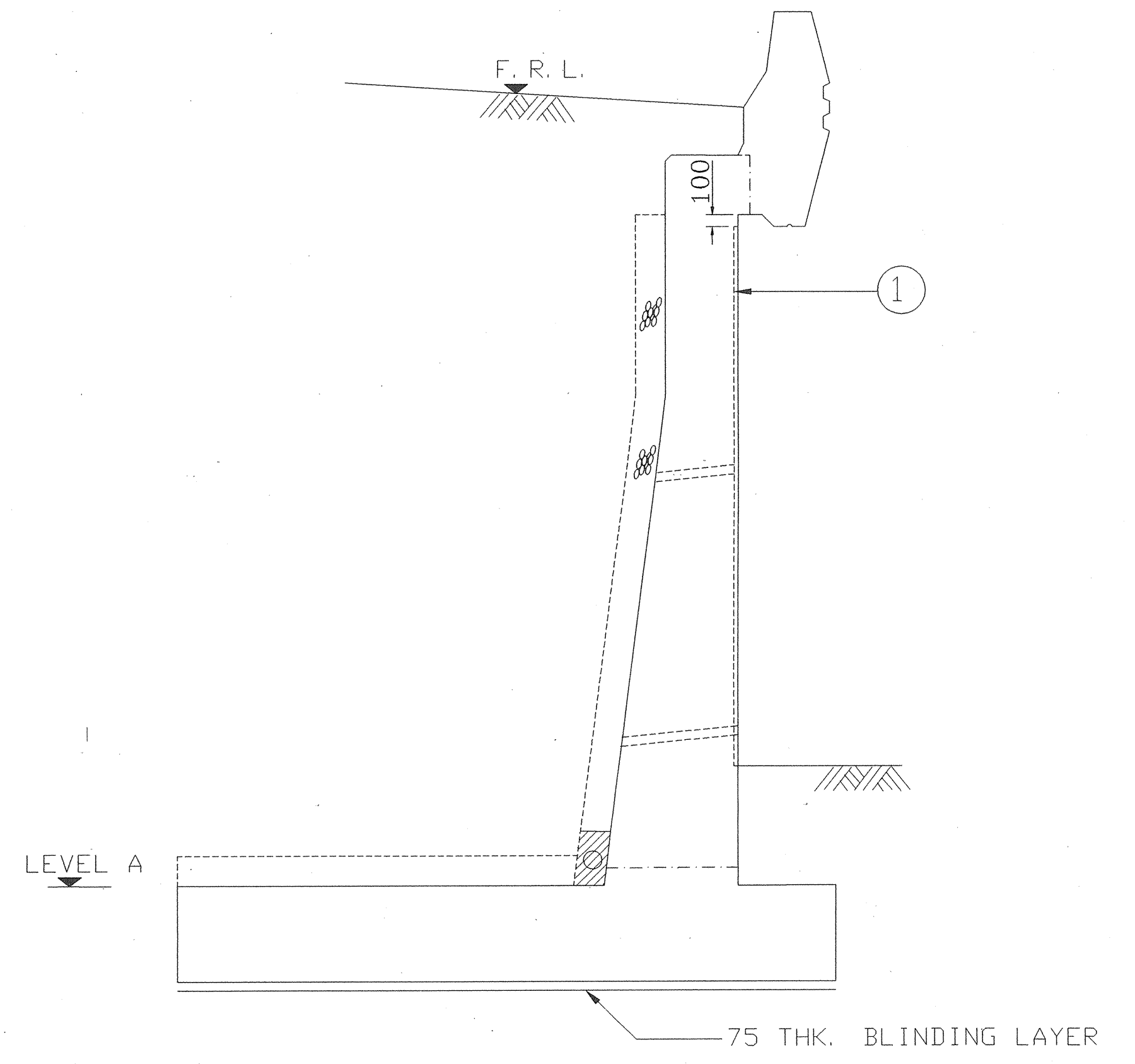


ABUTMENT AB 3 (SOUTHVIEW)

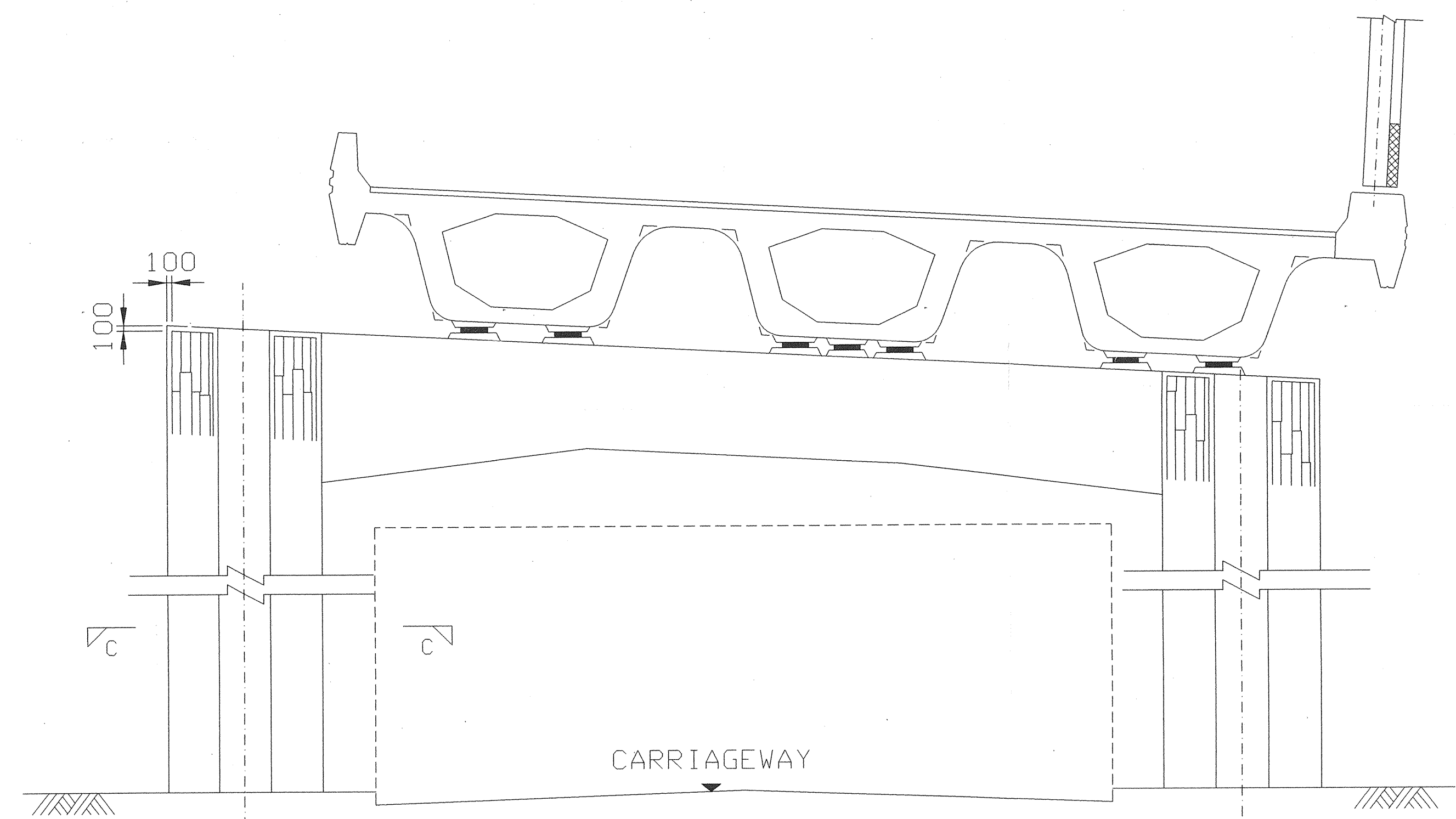
TYPICAL DEVELOPED ELEVATION OF ABUTMENT WALL AND ASSOCIATED RETAINING WALL IN AREA B (SIMILAR FINISH FOR OTHER TYPES OF SUPPORT IN THIS AREA EXCLUDING RETAINING WALL "A" AS SHOWN) SCALE 1 : 100



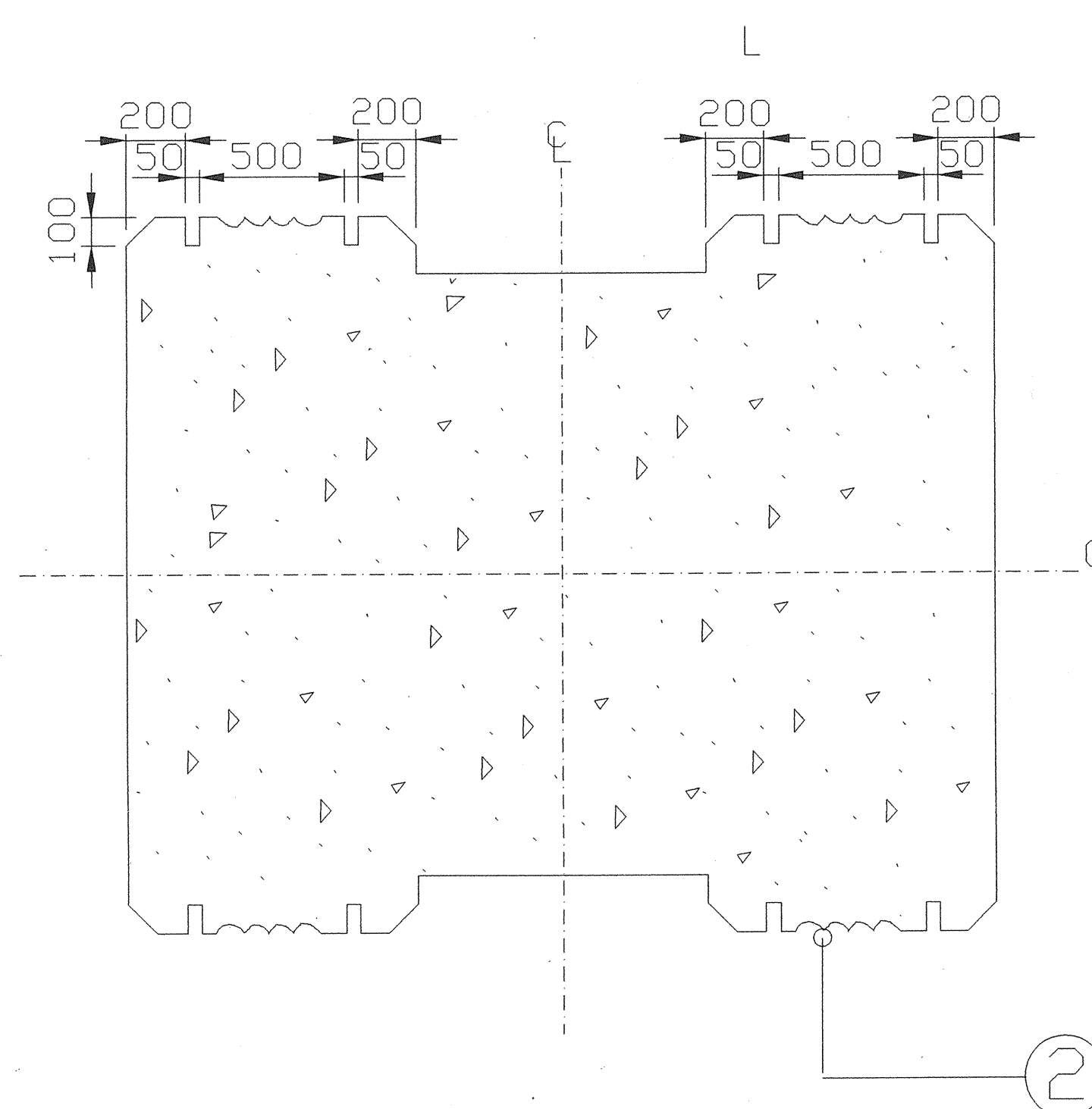
ELEVATION OF A-A SCALE 1 : 50



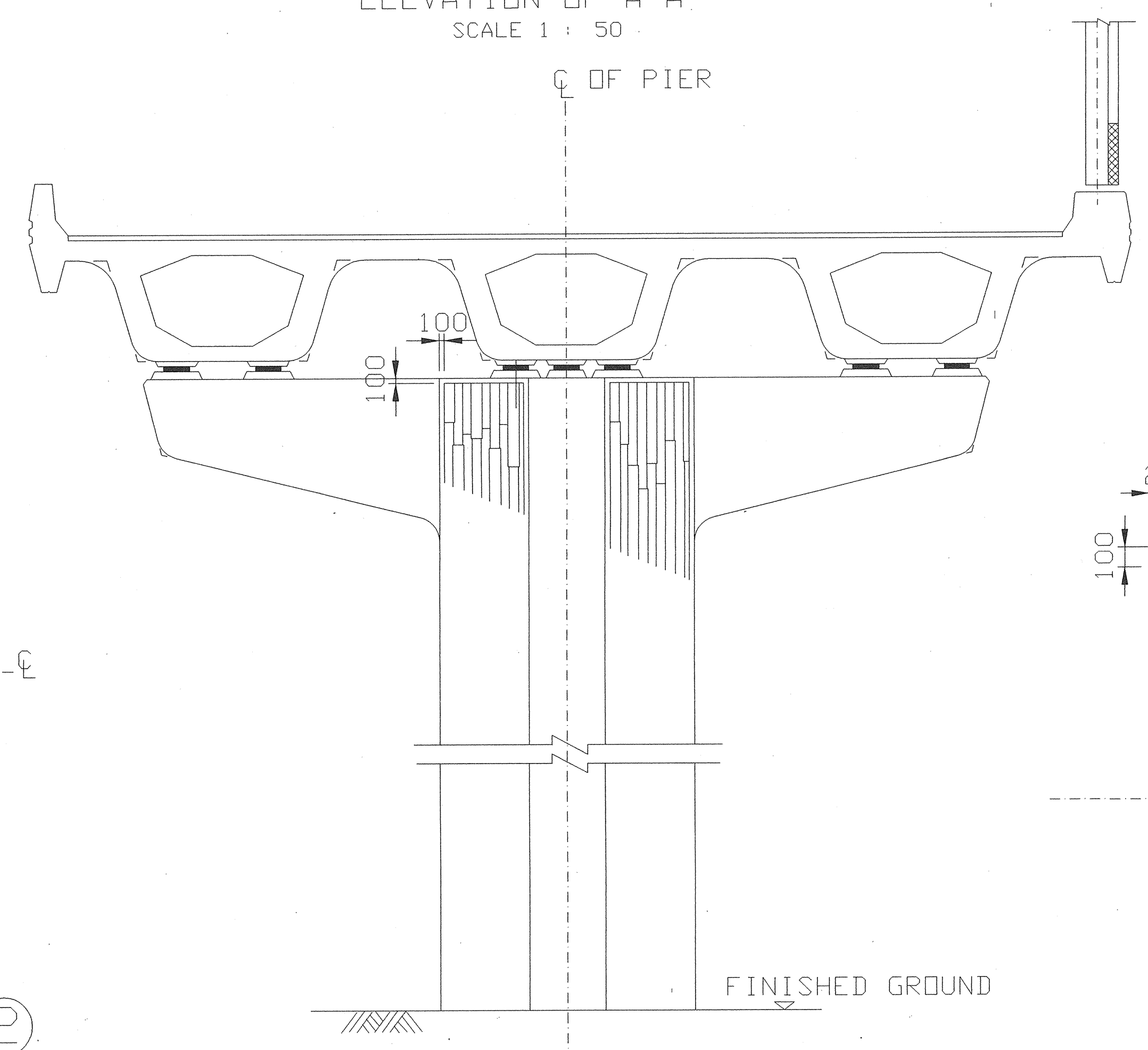
SECTION B-B SCALE 1 : 40



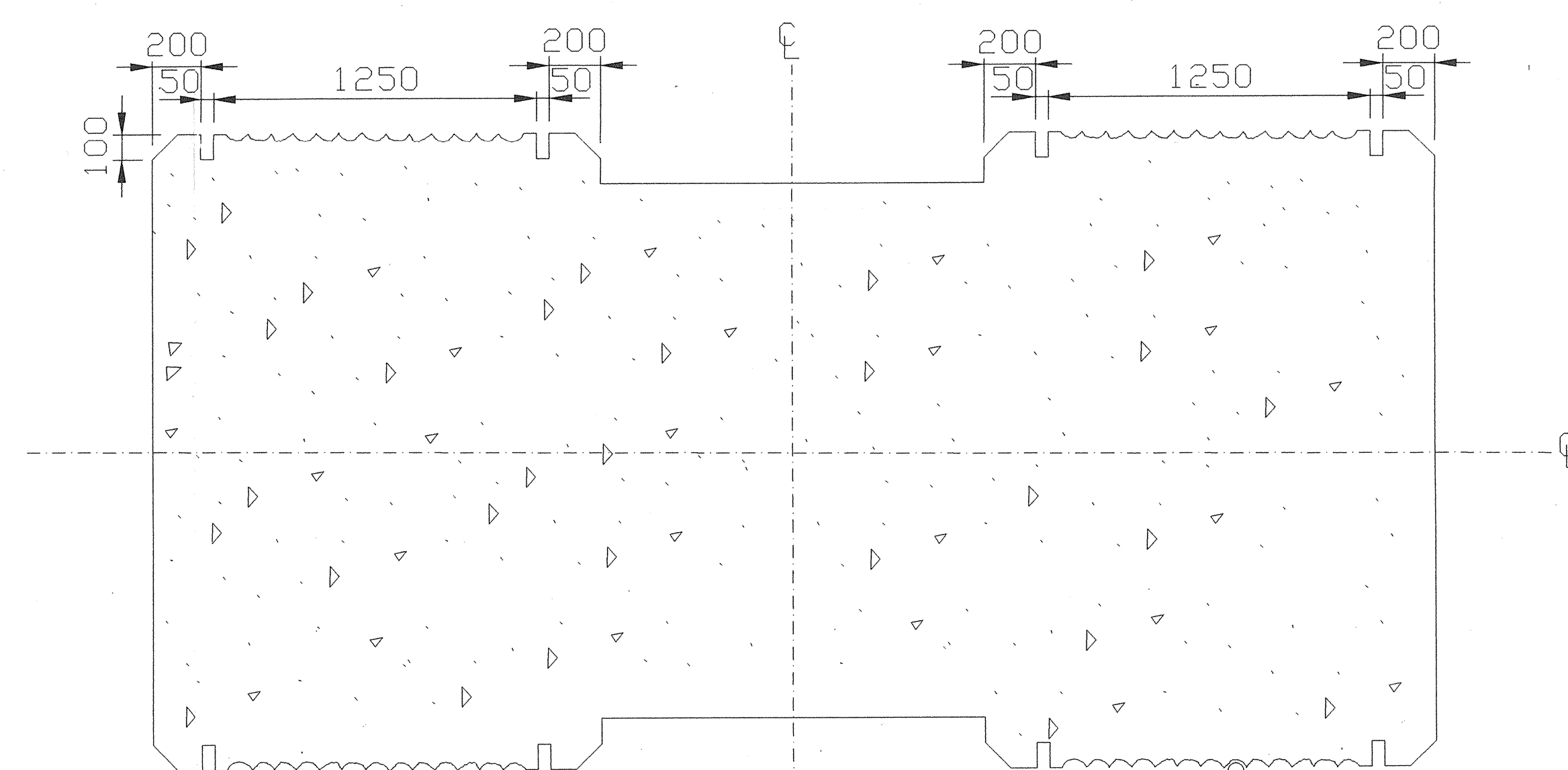
TYPE 17 SUPPORT TYPICAL DEVELOPED ELEVATION OF PIER SUPPORTS (SIMILAR FINISH FOR OTHER TYPES OF SUPPORT IN THIS AREA) SCALE 1 : 200



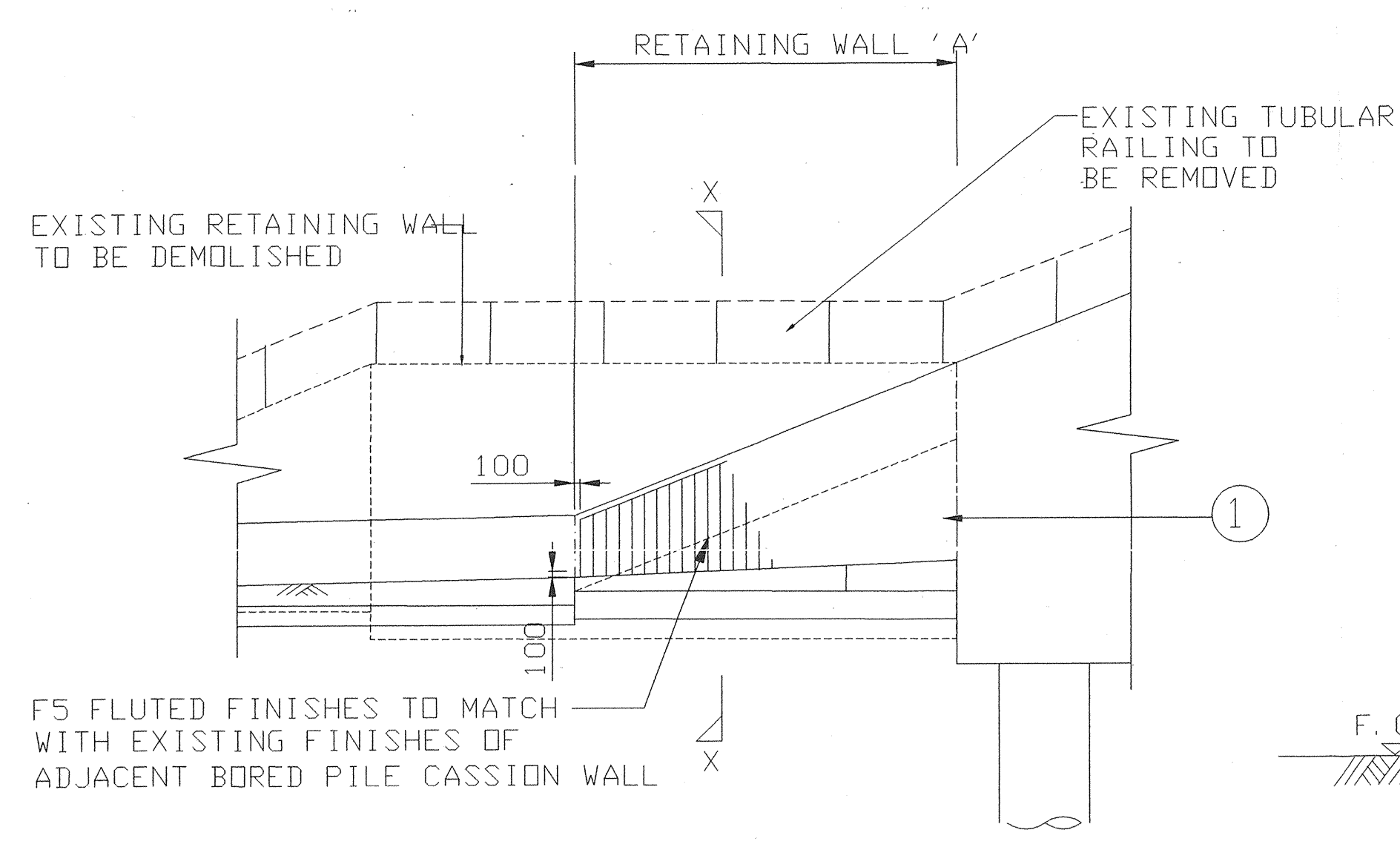
SECTION c-c SCALE 1 : 20



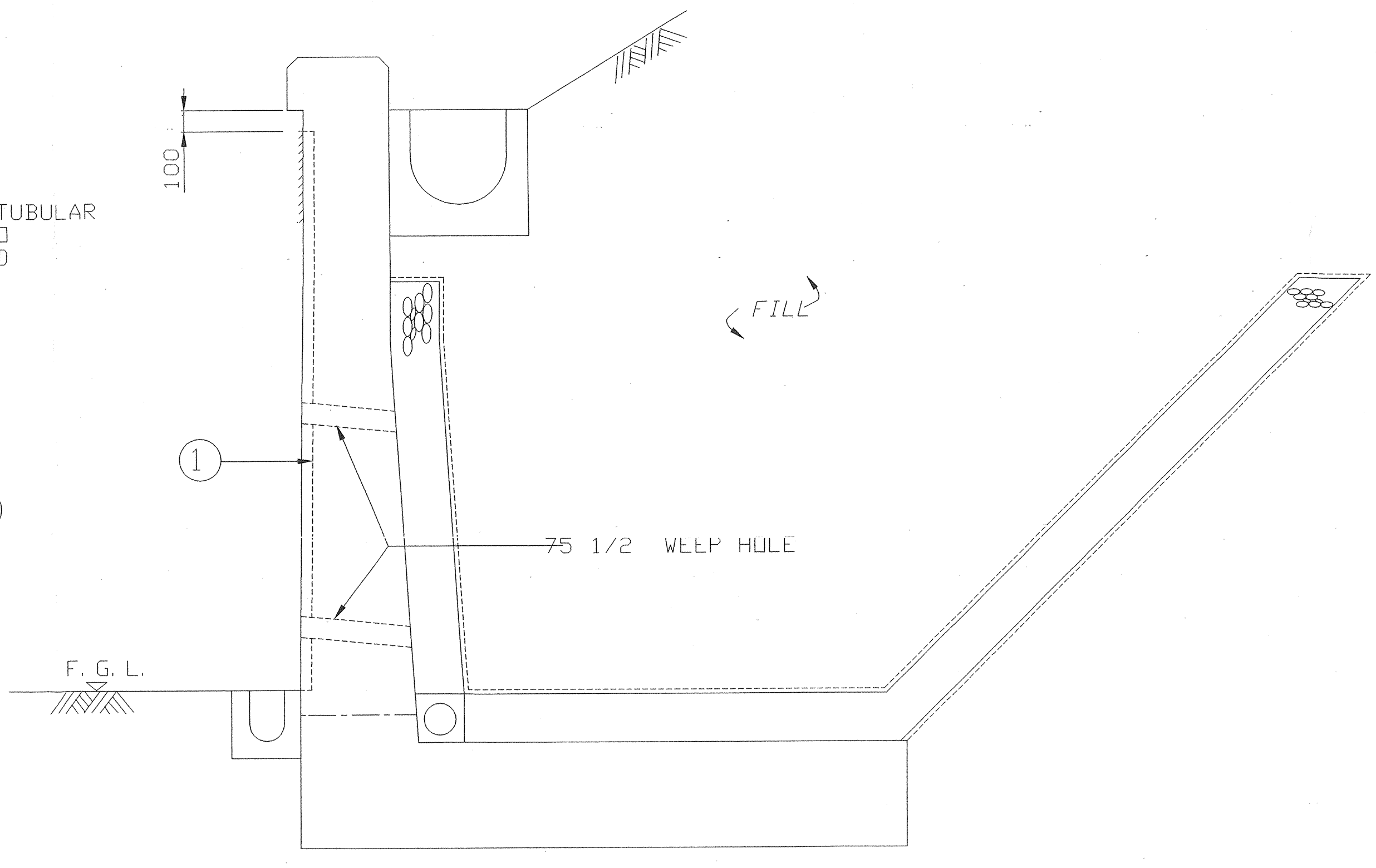
TYPE 3 SUPPORT TYPICAL DEVELOPED ELEVATION OF PIER SUPPORTS (SIMILAR FINISH FOR OTHER TYPES OF SUPPORT IN THIS AREA) SCALE 1 : 100



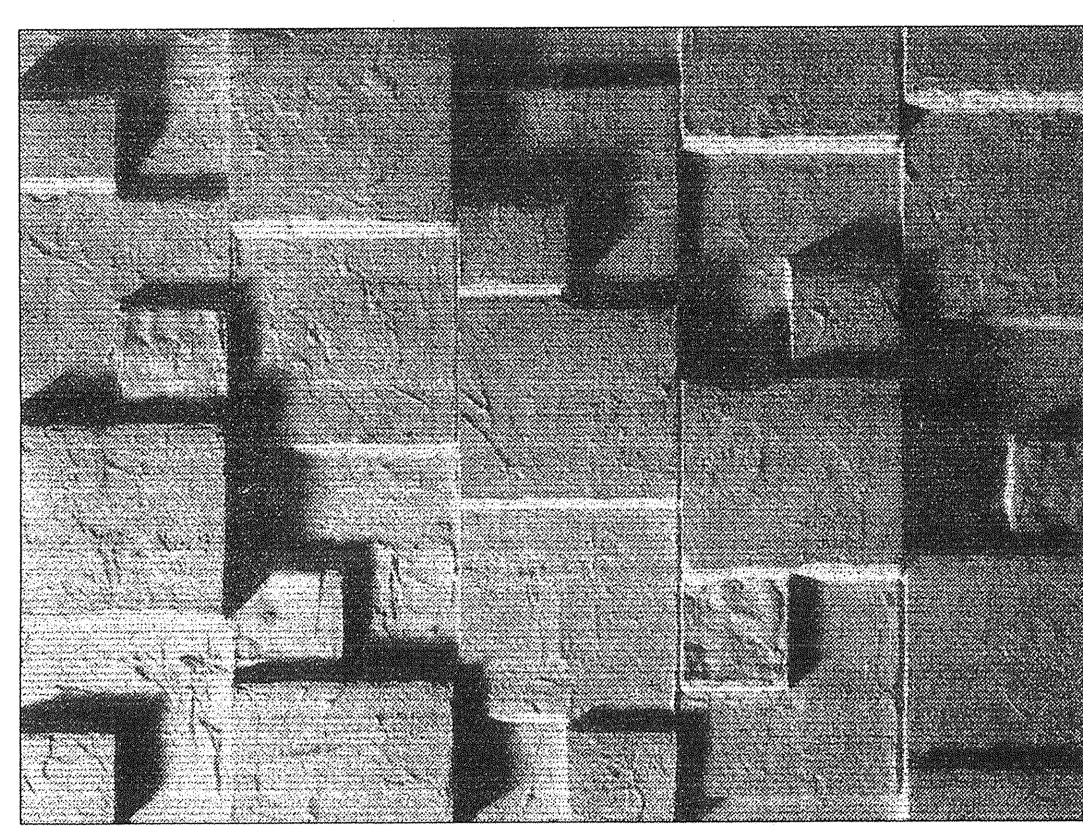
SECTION B-B SCALE 1 : 20



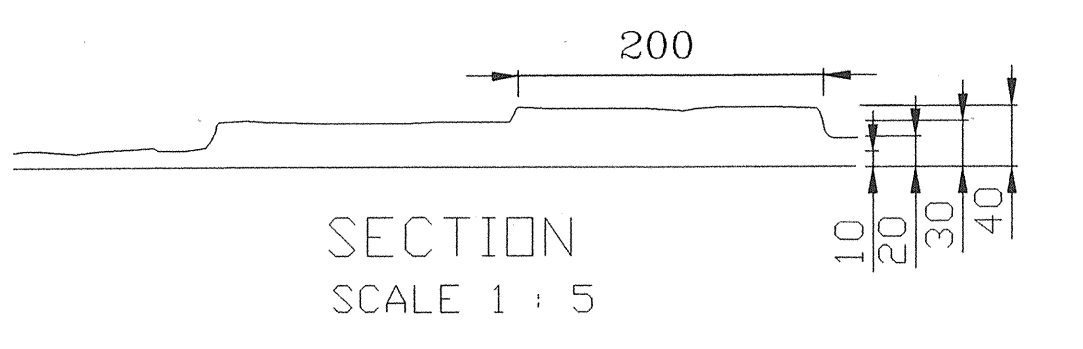
ELEVATION OF RETAINING WALL A SCALE 1 : 100



X TYPICAL DETAIL OF RETAINING WALL 'A' SCALE 1 : 20

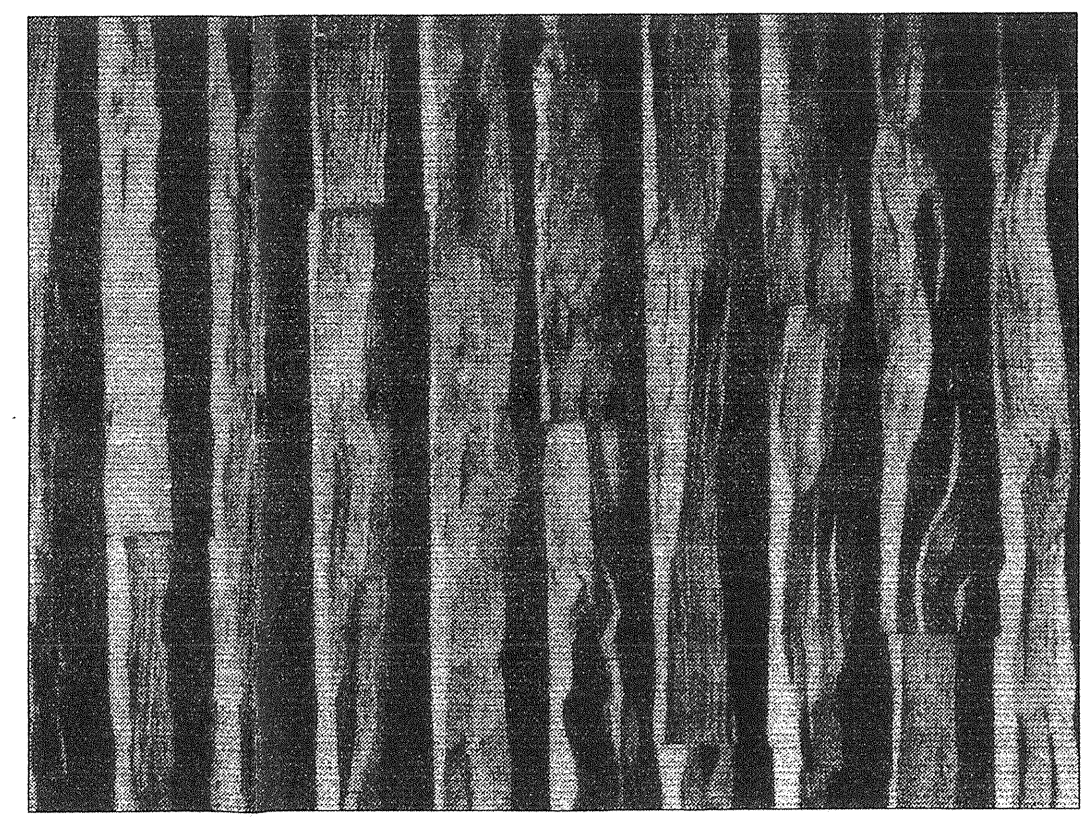


ELEVATION

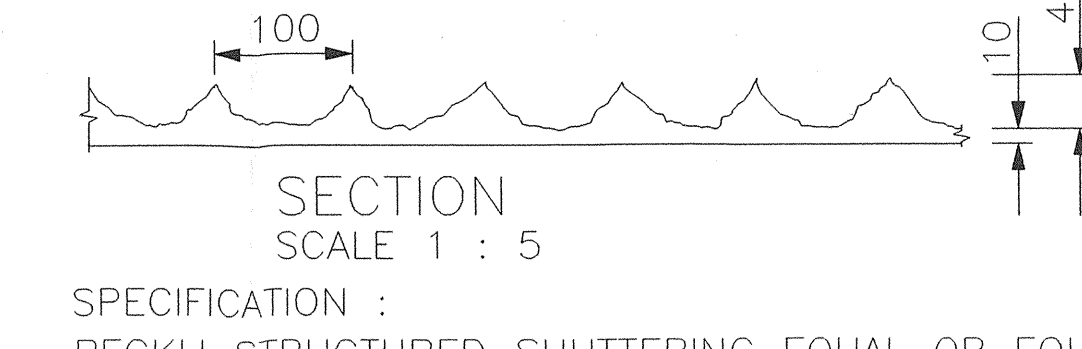


SECTION SCALE 1 : 5

SPECIFICATION : RECKLI STRUCTURED SHUTTERING EQUAL OR EQUIVALENT NO. 1/03 FEHMARN MOULD SIZE : 1.0m x 5.0m ± 1% LONGITUDINAL DIRECTION OF STRUCTURE = 5m



ELEVATION



SECTION SCALE 1 : 5

SPECIFICATION : RECKLI STRUCTURED SHUTTERING EQUAL OR EQUIVALENT NO. 1/03 FEHMARN MOULD SIZE : 1.0m x 5.0m ± 1% LONGITUDINAL DIRECTION OF STRUCTURE = 5m CLEAVED WOOD POSITIVE RELIEF

1 ABUTMENT AND RETAINING WALL FINISHES IN AREA B

2 PIER SURFACE FINISHES IN AREA B

TENDER ADDENDUM NO.2		09/02	
FIRST ISSUE TENDER DRAWING		07/02	
REV	DESCRIPTION	REVISED BY	DATE
01	ISSUED FOR TENDER	CSY	07/02
Territory Development Department 拓展署			
NT EAST DEVELOPMENT OFFICE			
新界東拓展處			
SHA TIN NEW TOWN, STAGE II			
ROAD T3 & ASSOCIATED ROADWORKS			
ARCHITECTURAL FINISHES			
DETAILS (AREA B)			
MAUNSELL CONSULTANTS ASIA LTD.			
茂盛亞洲工程顧問有限公司			
DRG. NO.	63494/2306 ^A		
DESIGNED BY	CONTRACT NO.	DATE OF ISSUE	
CSY	ST 79/02	07/02	
DRAWN BY	SCALE	STATUS	
ZXG	AS SHOWN	TENDER DRAWING	
DIMENSIONS ARE IN MILLIMETRES			
© COPYRIGHT RESERVED 版權所有			

Mansell