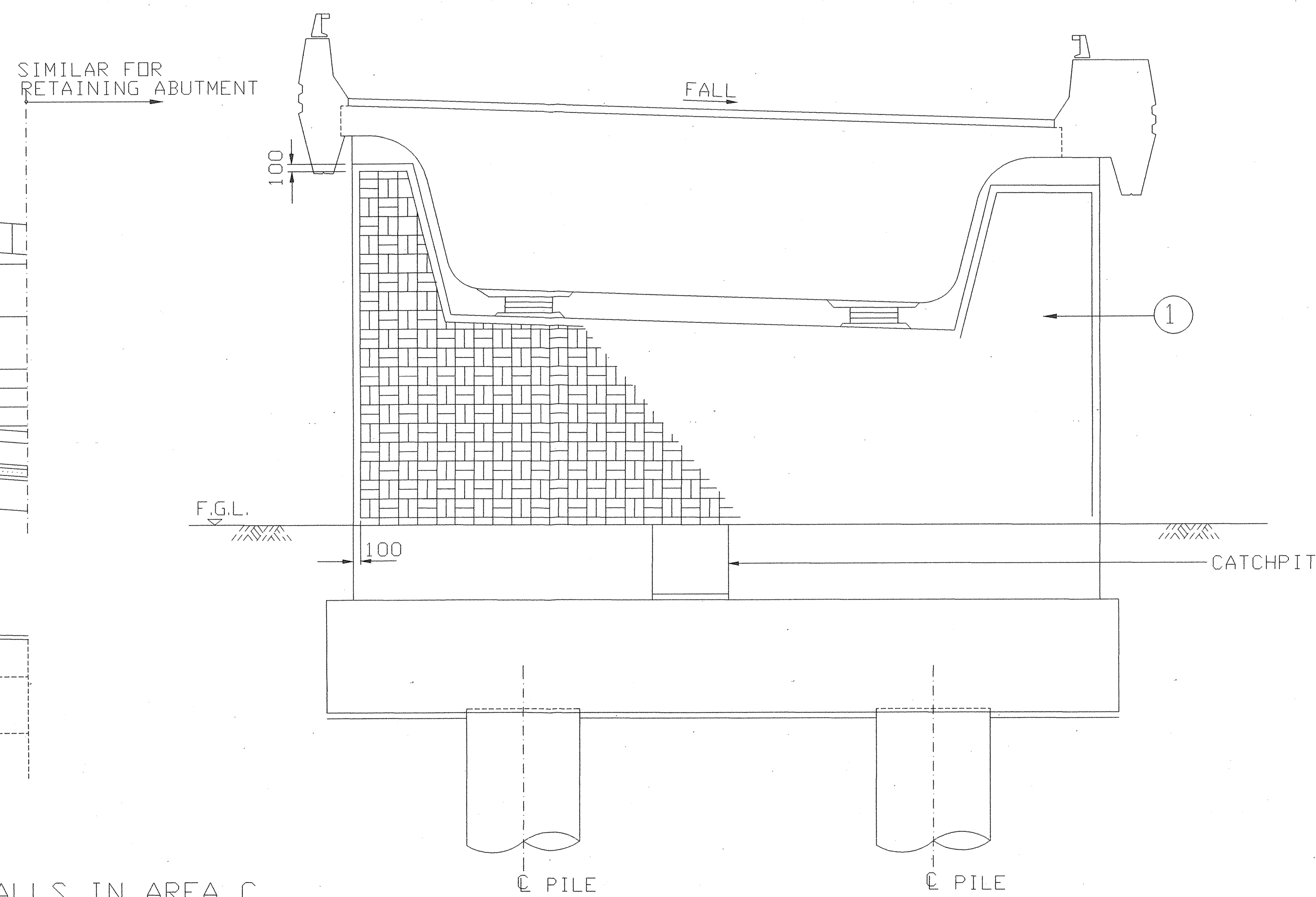
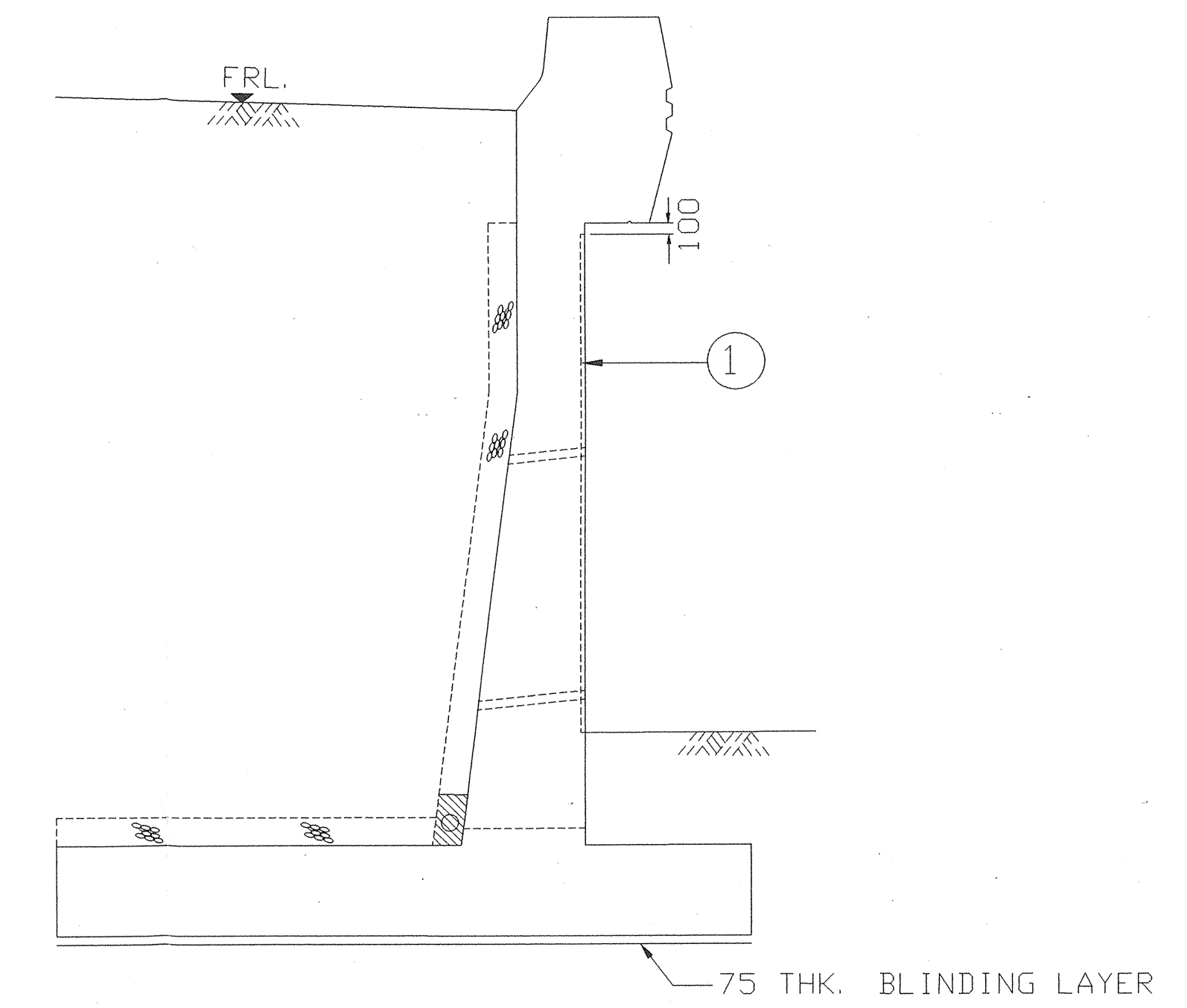


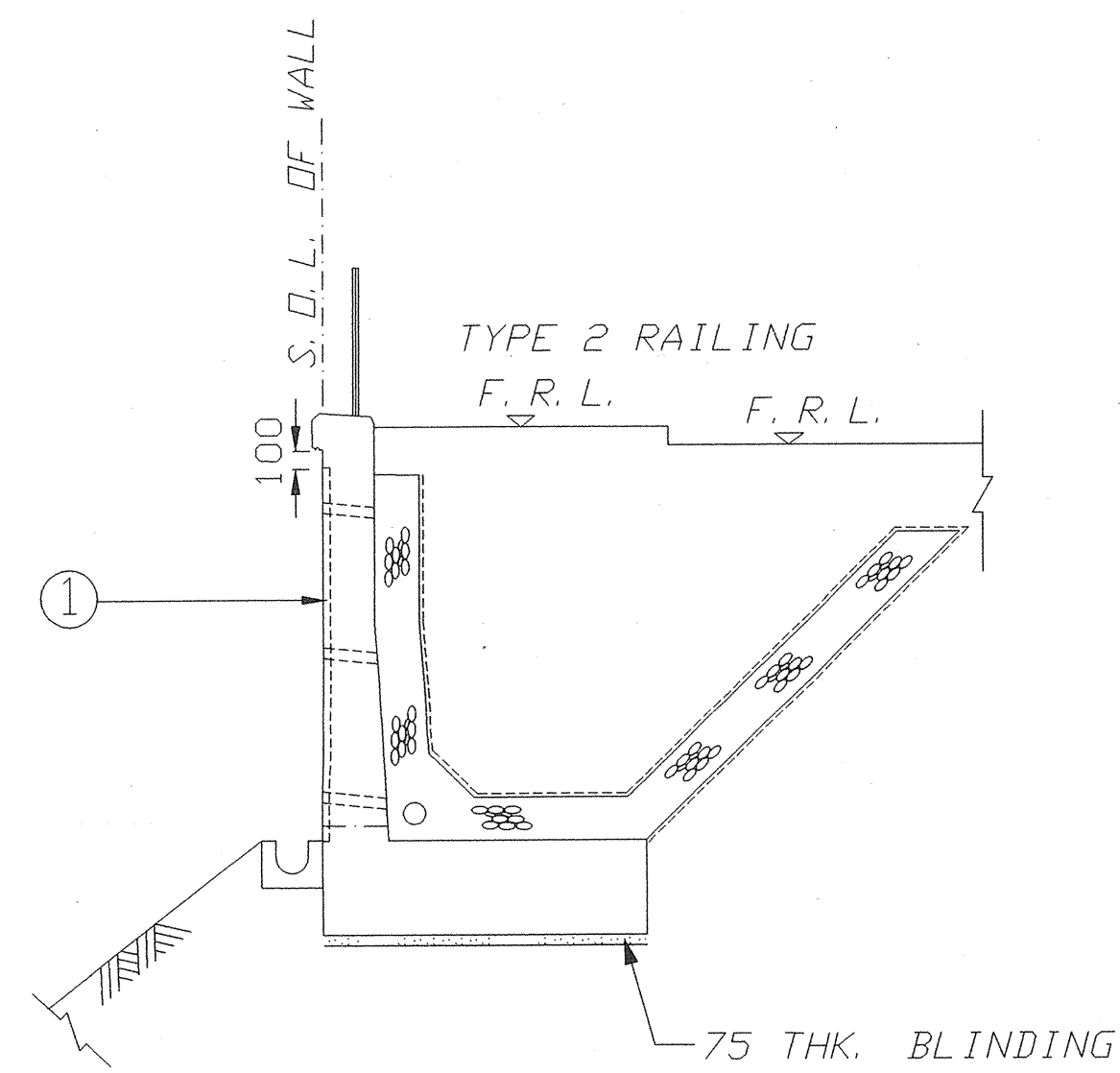
TYPICAL DEVELOPED ELEVATION OF ABUTMENT WALLS AND ASSOCIATED RETAINING WALLS IN AREA C
(SIMILAR FINISH FOR OTHER TYPES OF SUPPORT IN THIS AREA)
SCALE 1 : 100



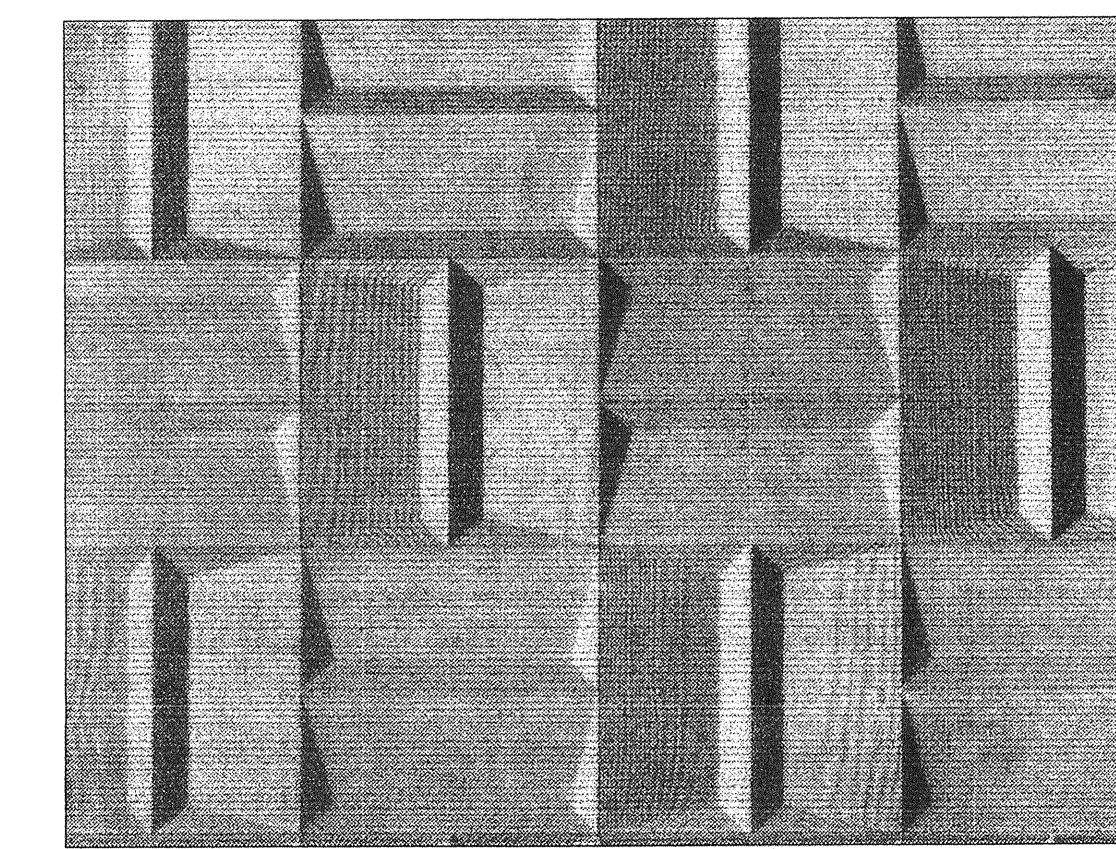
ELEVATION A
SCALE 1 : 50



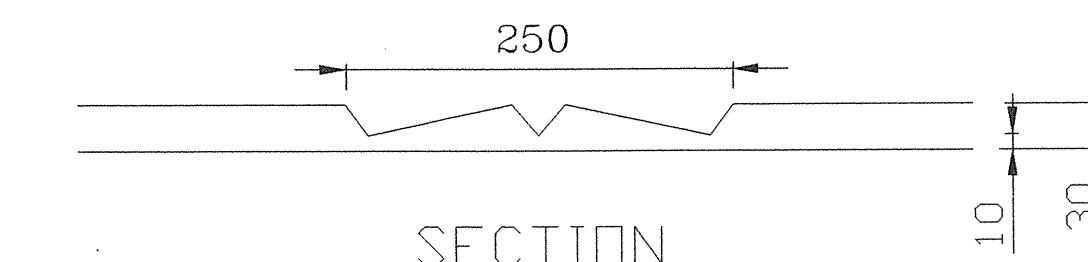
SECTION C-C
SCALE 1 : 50



TYPICAL SECTION FOR RETAINING WALL TYPE F2
SCALE 1 : 50

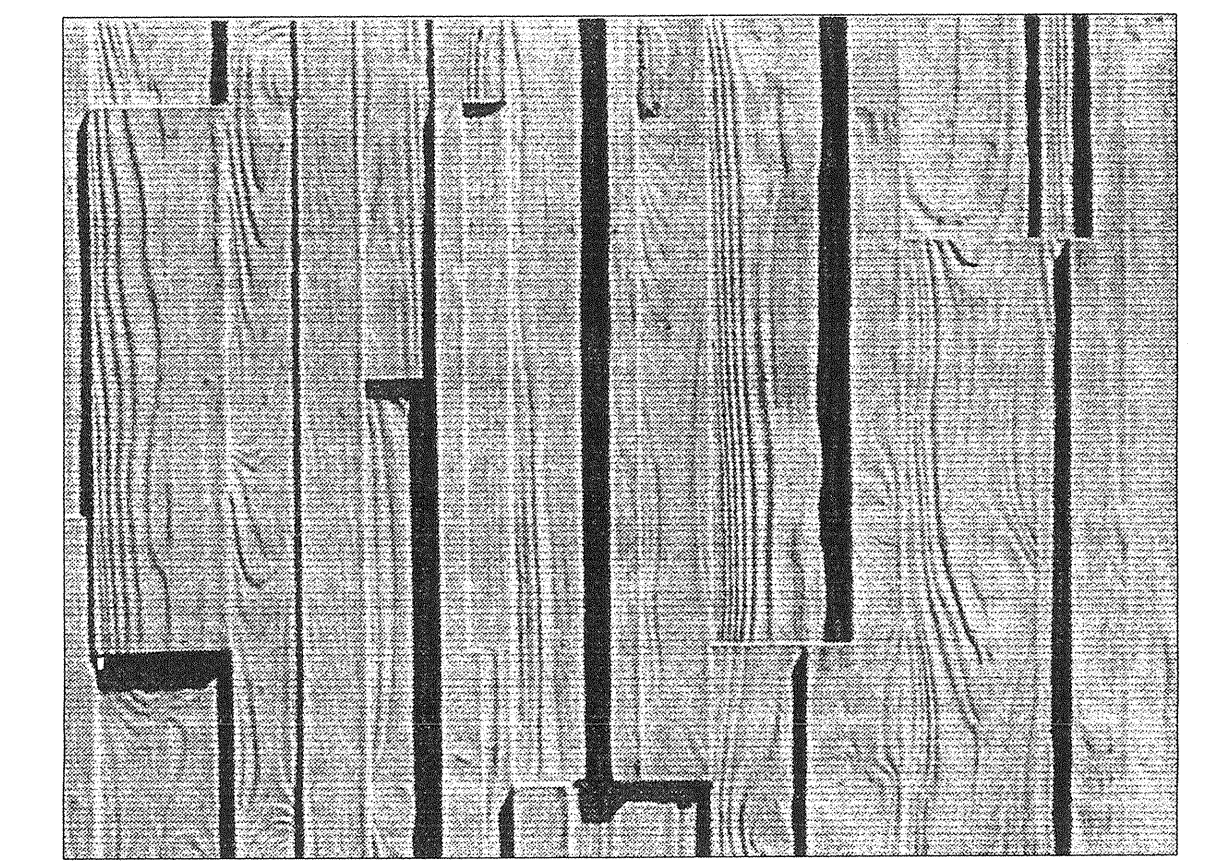


ELEVATION

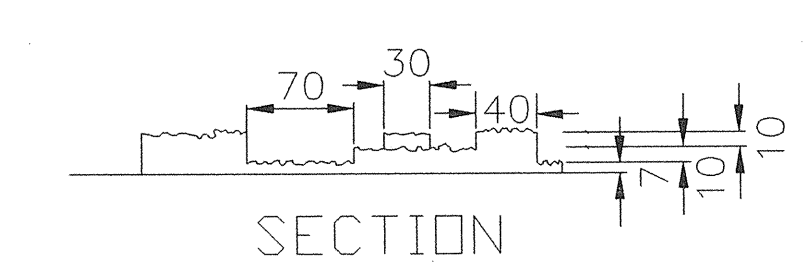


SECTION
SCALE 1 : 5

SPECIFICATION :
RECKLI STRUCTURED SHUTTERING EQUAL OR EQUIVALENT
NO. 1/06 JUJST
MOULD SIZE :
1.0m x 5.0m ± 1%
POLYEDRALS NEGATIVE

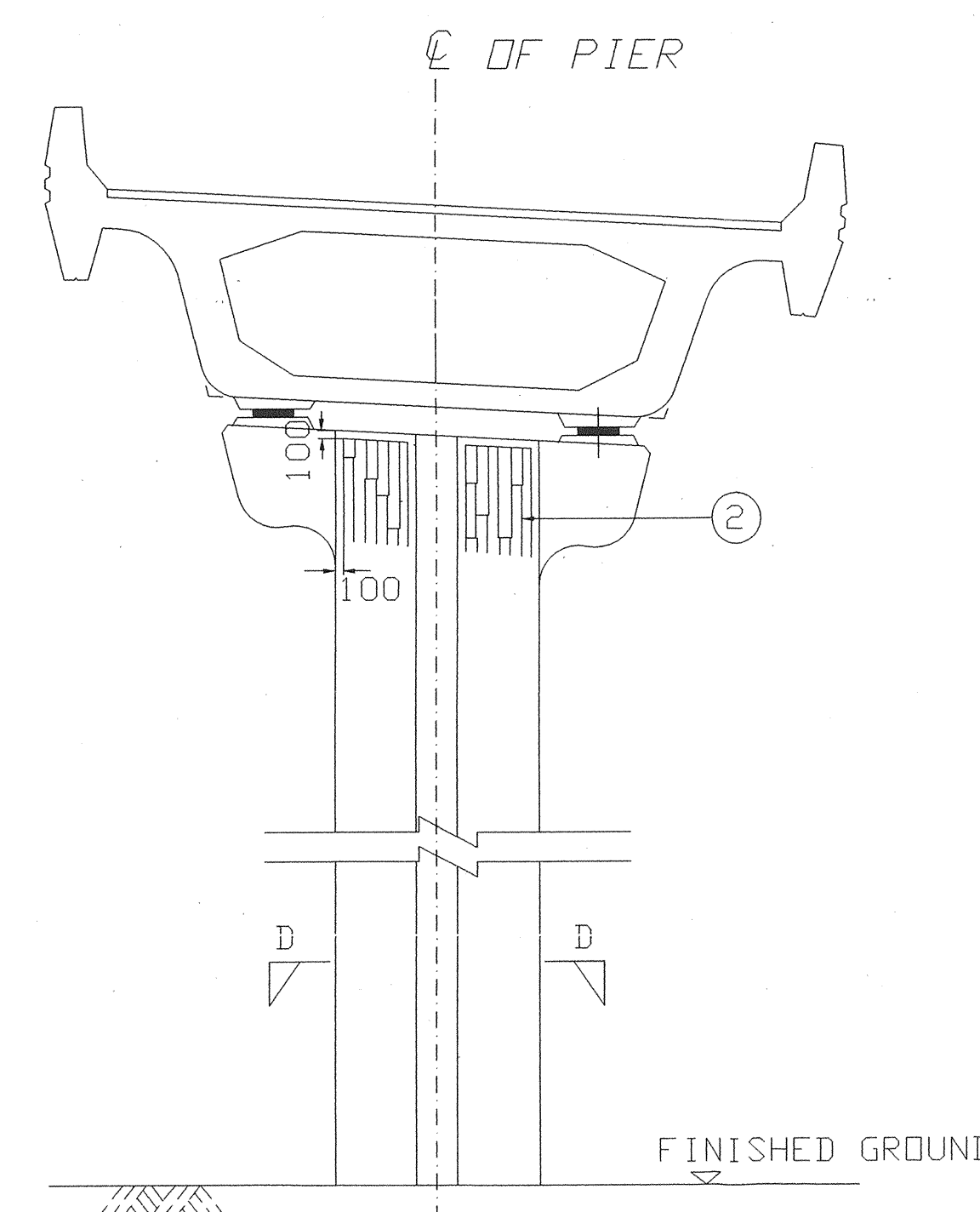


ELEVATION

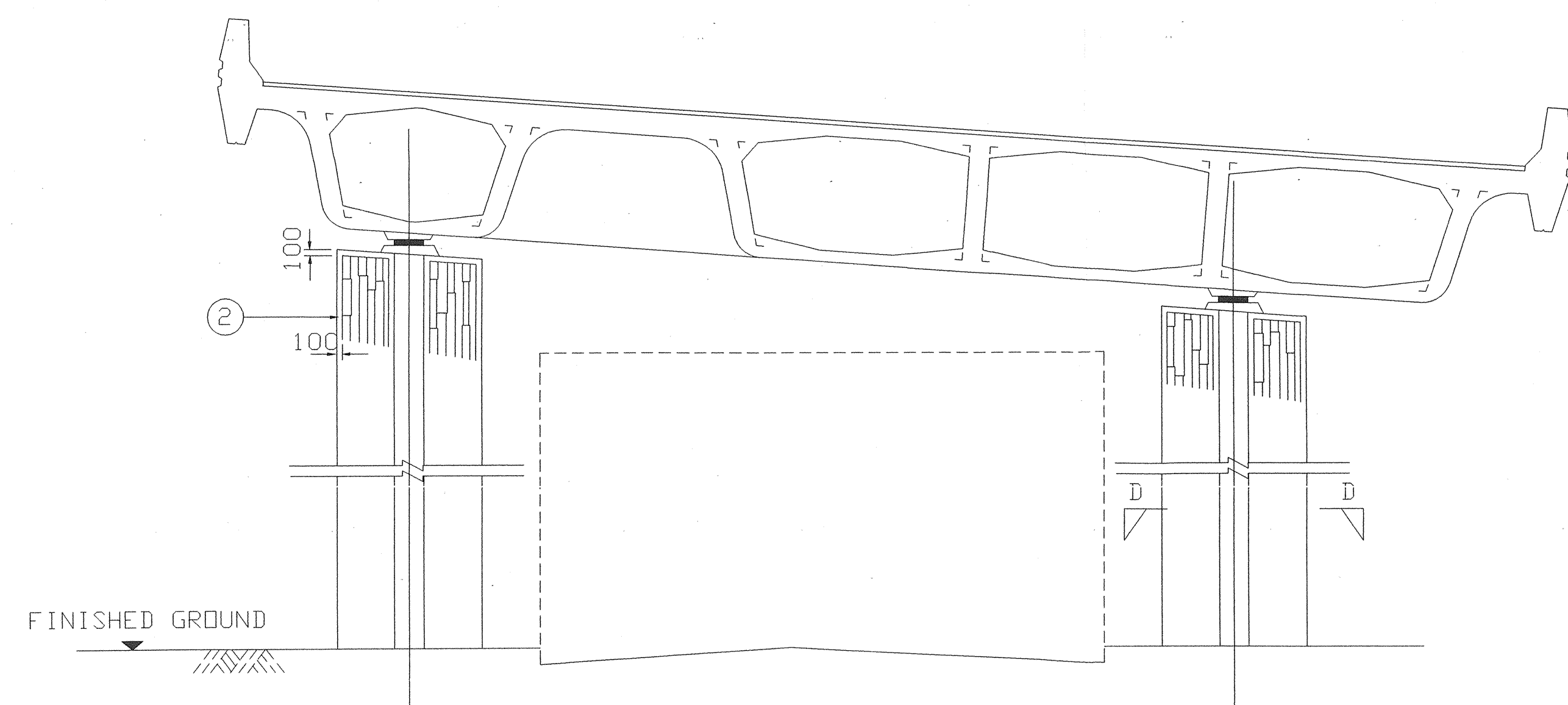


SECTION
SCALE 1 : 5

SPECIFICATION :
RECKLI STRUCTURED SHUTTERING EQUAL OR EQUIVALENT
NO. 2/317 RUSTIC
MOULD SIZE :
3.0m x 1.0m ± 1%
LONGITUDINAL DIRECTION
OF STRUCTURE = 3m

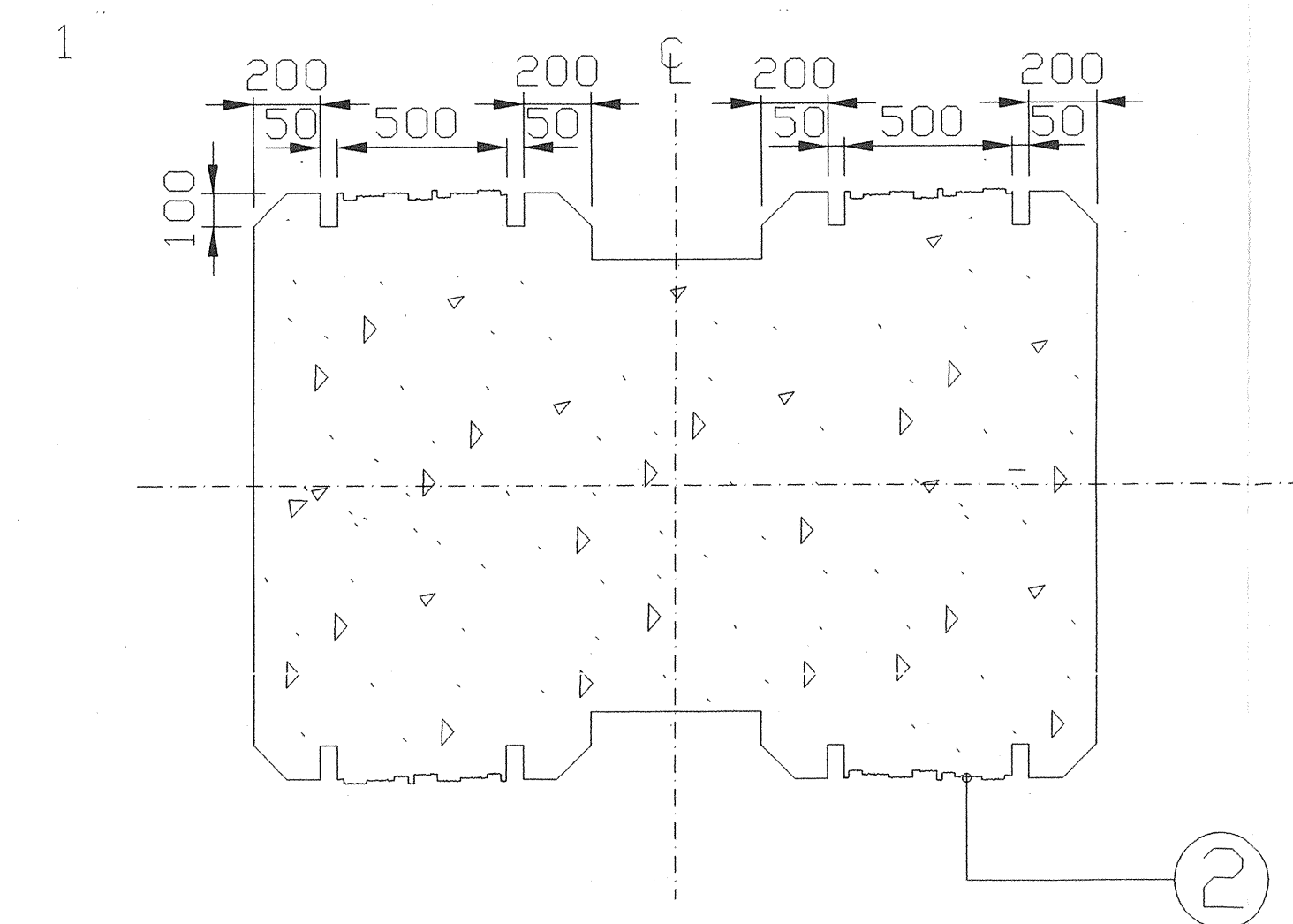


TYPICAL DEVELOPED ELEVATION OF PIER SUPPORTS
(SIMILAR FINISH FOR OTHER TYPES OF SUPPORT IN THIS AREA
EXCLUDING RETAINING WALLS B, P AND Q, G5/G6, ABUTMENT G5/G6)
SCALE 1 : 100



TYPE 8 SUPPORT
TYPICAL DEVELOPED ELEVATION OF PIER SUPPORTS
(SIMILAR FINISH FOR OTHER TYPES OF SUPPORT IN THIS AREA
EXCLUDING RETAINING WALLS B, P AND Q, G5/G6, ABUTMENT G5/G6)
SCALE 1 : 200

1 ABUTMENT AND RETAINING WALLS FINISHES IN AREA C



SECTION D-D
SCALE 1 : 20

2 PIER SURFACE FINISHES IN AREA C

TENDER ADDENDUM NO.2			
A	IMAGES ADDED	TTS	09/02
FIRST ISSUE TENDER DRAWING			
REV	DESCRIPTION	CHECKED	APPROVED
001	ISSUE FOR TENDER	TTS	AKG
Territory Development Department 拓展署			
NT EAST DEVELOPMENT OFFICE			
新界東拓展處			
SHA TIN NEW TOWN, STAGE II			
ROAD T3 & ASSOCIATED ROADWORKS			
ARCHITECTURAL FINISHES			
DETAILS (AREA C)			
SHEETS 1 OF 6			
MAUNSELL CONSULTANTS ASIA LTD.			
茂盛亞洲工程顧問有限公司			
DRG. NO.	63494/2307 ^A		
圖紙編號			
DESIGNED BY	CONTRACT NO.	DATE OF ISSUE	
設計	合約編號	發出日期	
CSY	ST 79/02		
DRAWN BY	SCALE	STATUS	
ZXG	4	圖紙	
AS SHOWN		TENDER DRAWING	
DIMENSIONS ARE IN MILLIMETRES			
© COPYRIGHT RESERVED			
版權所有			

Maunsell