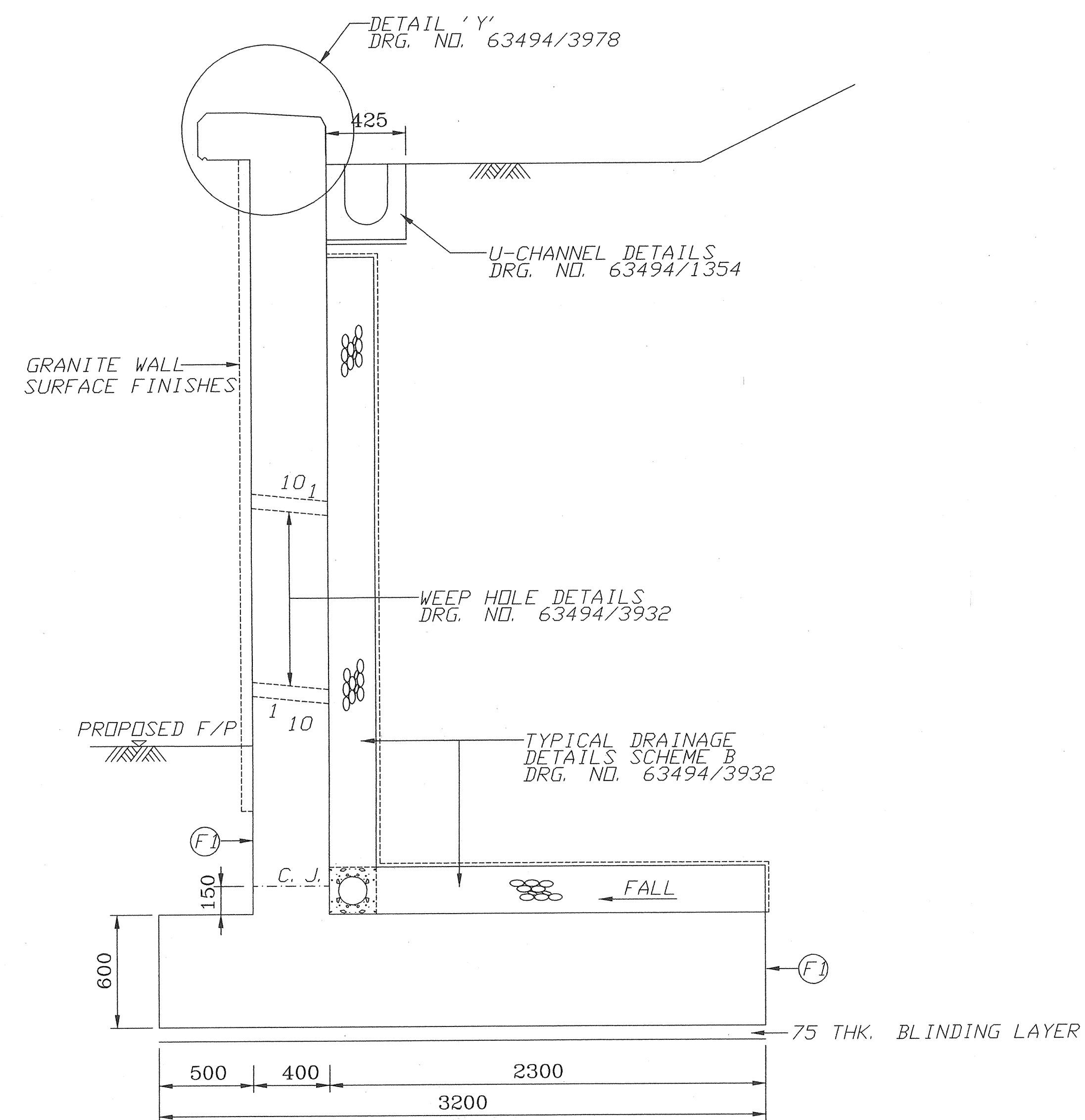
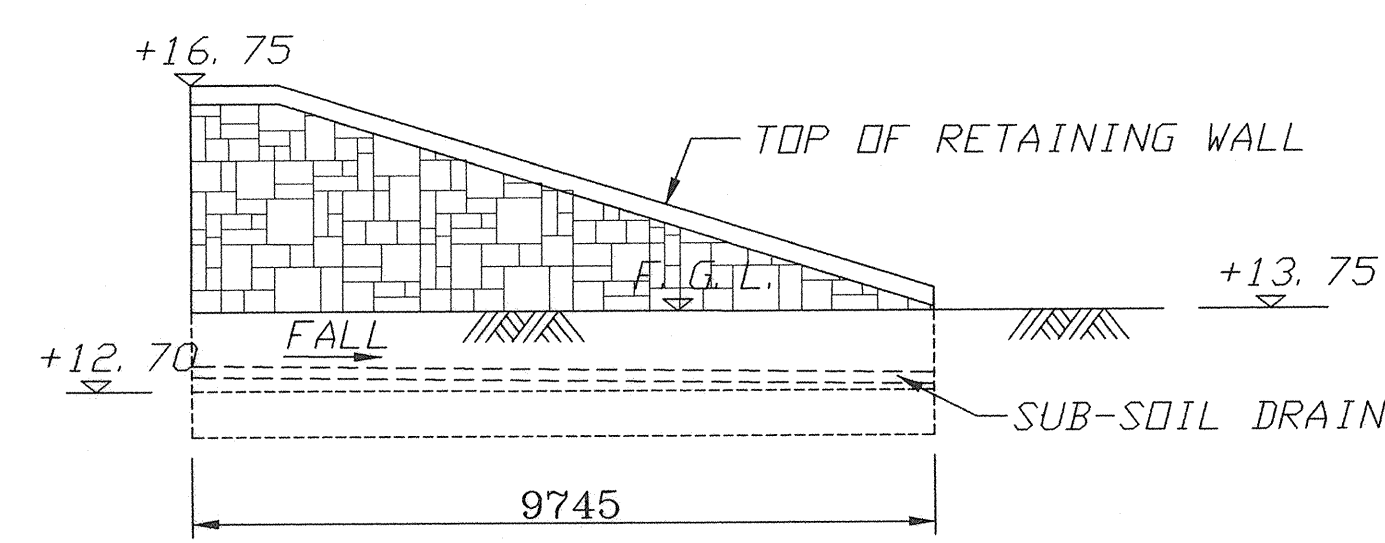


PLAN OF RETAINING WALL P AND Q
SCALE 1 : 200

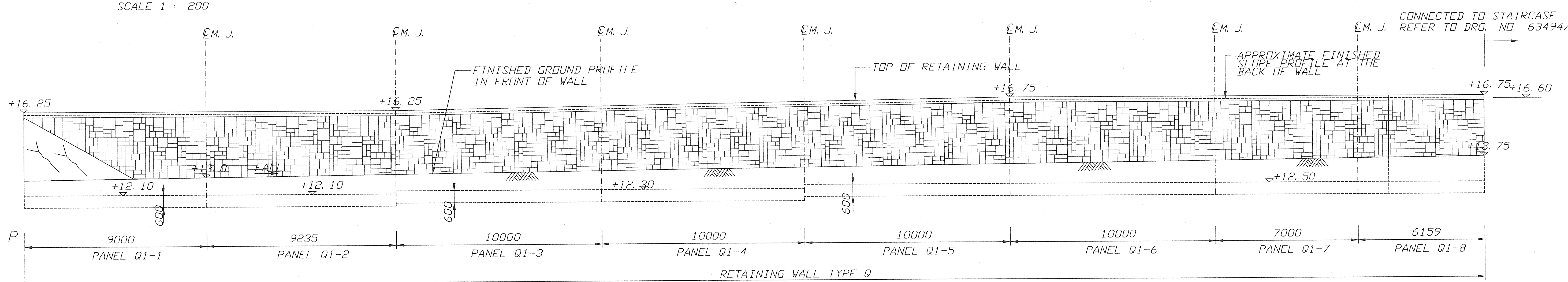


TYPICAL CROSS-SECTION FOR RETAINING WALL P & Q
(GRANITE WALL SURFACE FINISHES COMMON TO RETAINING WALL F AND G)
SCALE 1 : 20

CONNECTED TO STAIRCASE, REFER TO DRG. NO. 63494

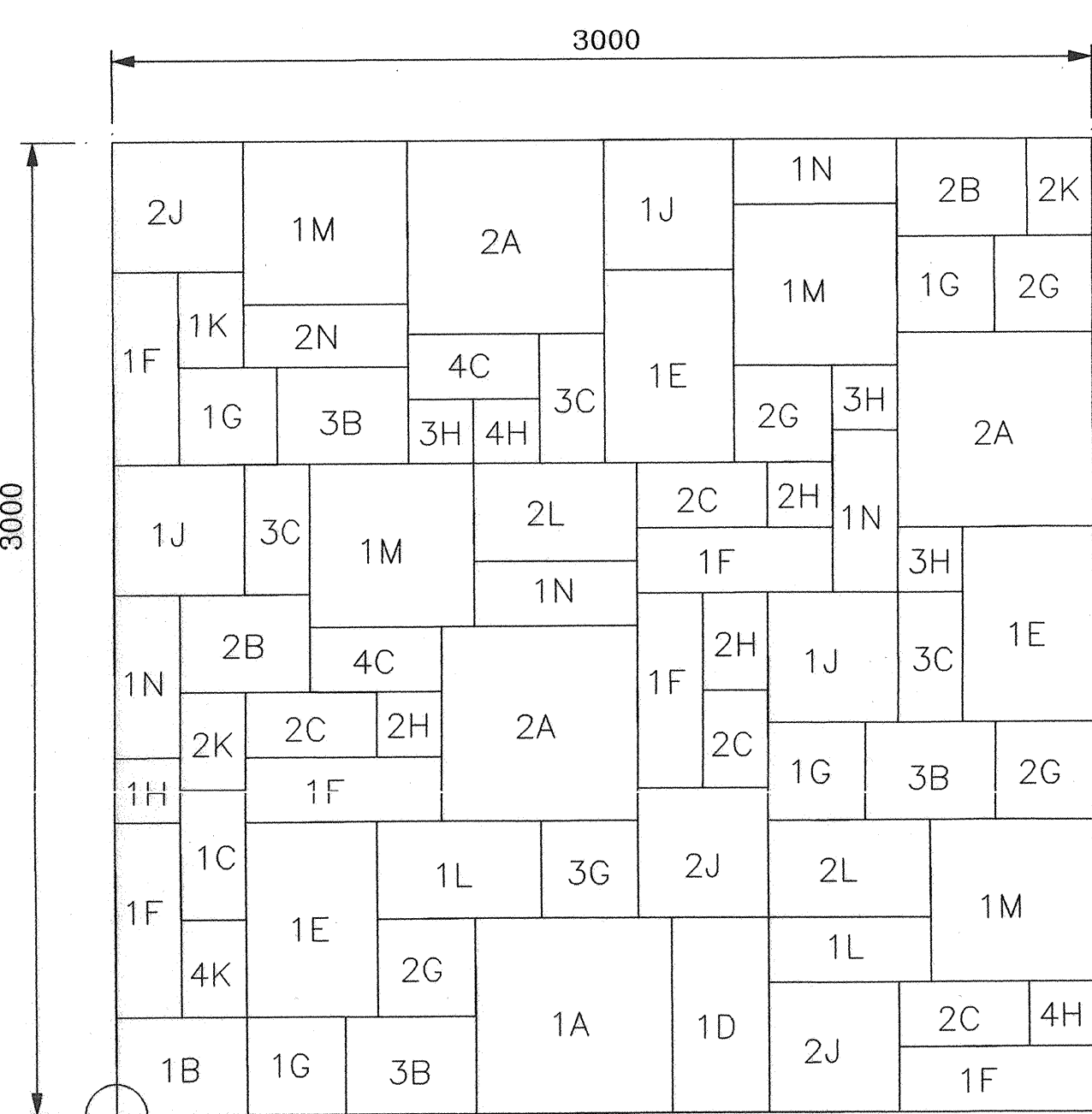


DEVELOPED ELEVATION OF RETAINING WALL P
SCALE 1 : 100



DEVELOPED ELEVATION OF RETAINING WALL Q
SCALE 1 : 100

AREA C FOR PLAYGROUND

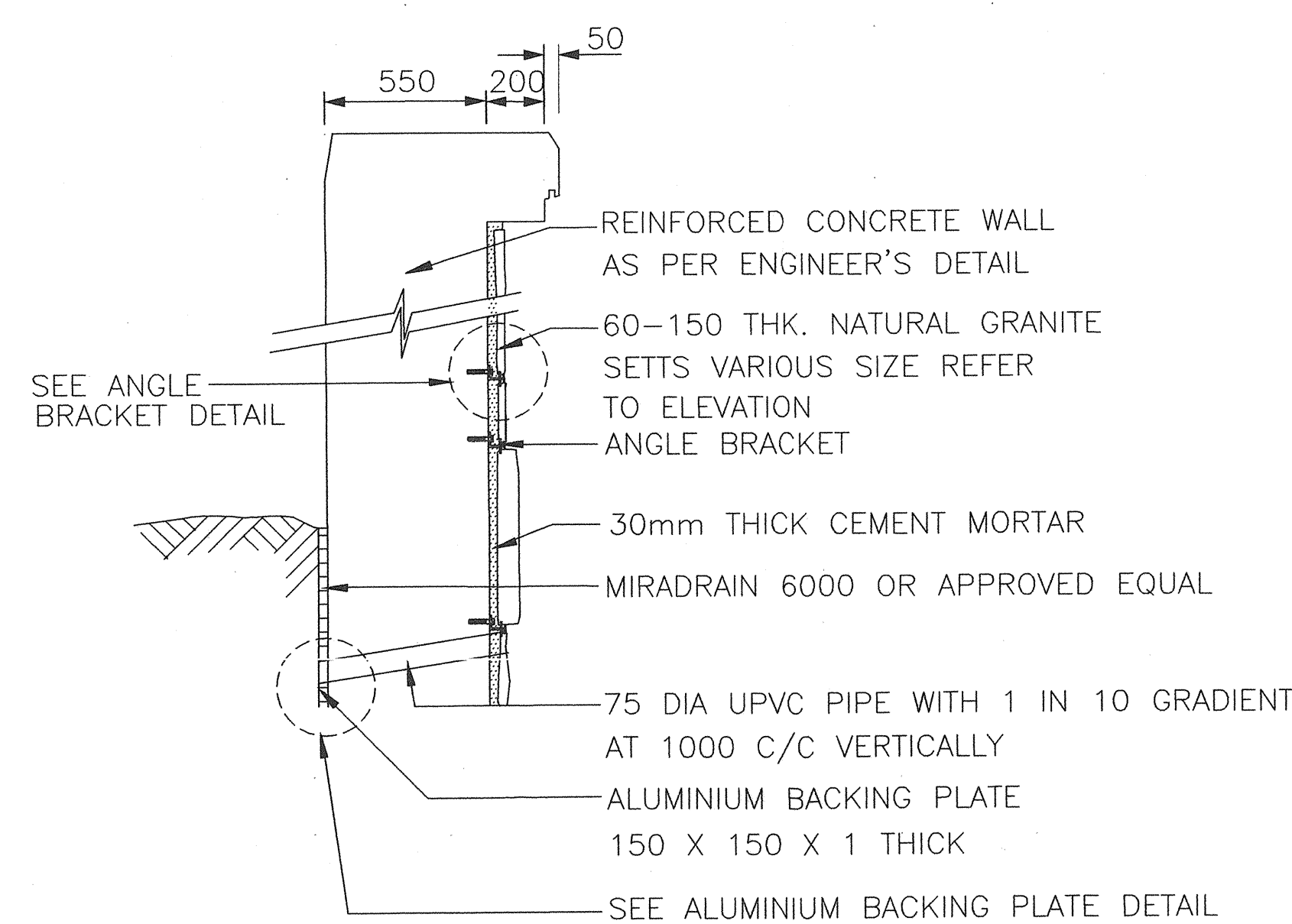


LOWER LEFT POINT OF WALL AS INDICATED

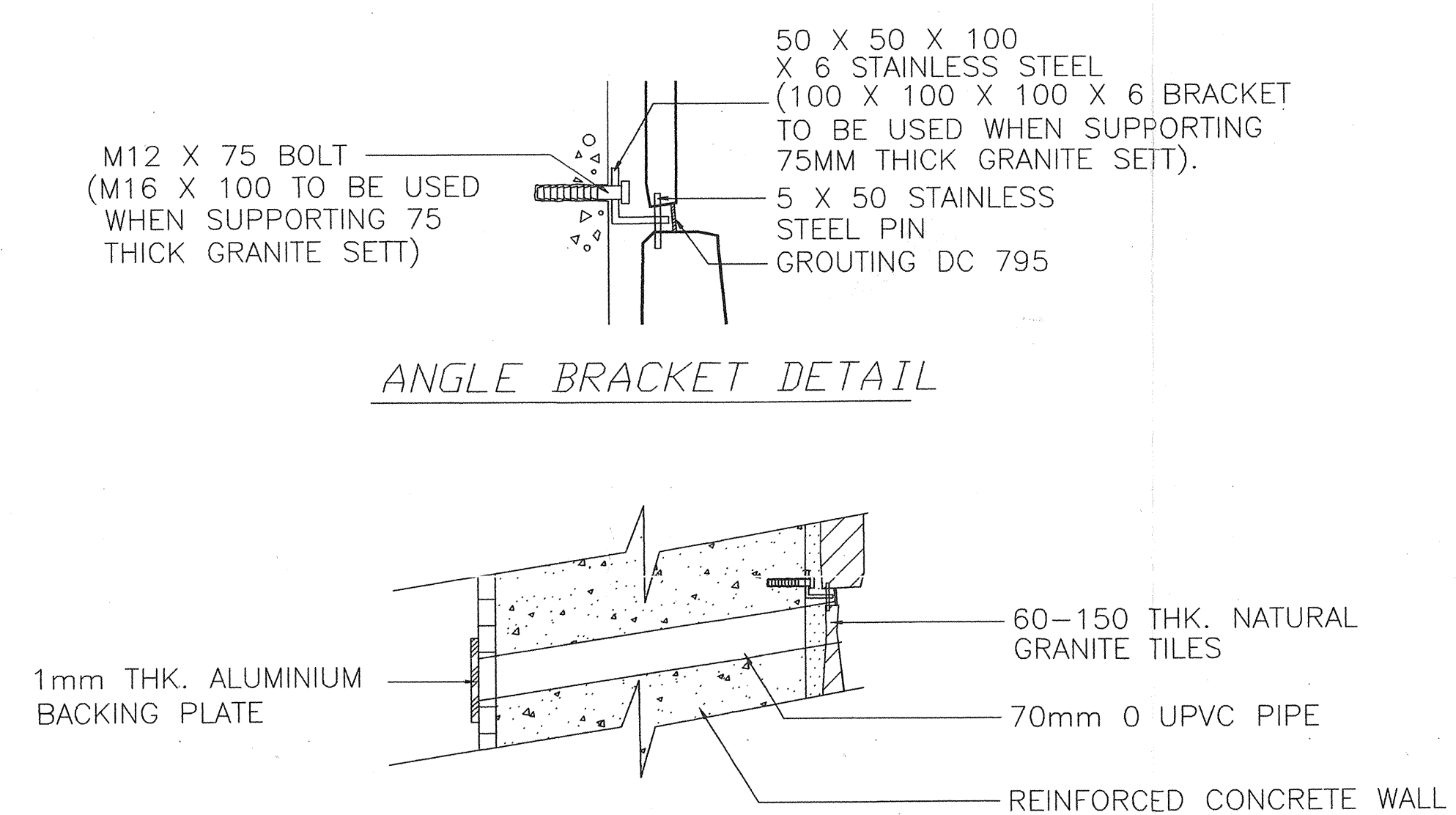
WALL ELEVATION
(SCALE 1 : 20)

A	600 x 600	F	200 x 600
B	300 x 400	G	300 x 300
C	400 x 200	H	200 x 200
D	300 x 600	J	400 x 400
E	400 x 600	K	200 x 300
N	500 x 200	L	300 x 500
		M	500 x 500

- 1 - DARK TERRA FLAMED FINISH
- 2 - TERRA FLAMED FINISH
- 3 - DARK TERRA FLAMED FINISH
- 4 - CORAL BROWN FLAMED FINISH



SECTION
(SCALE 1 : 20)
GRANITE WALL SURFACE FINISHES



ANGLE BRACKET DETAIL
ALUMINIUM BACKING PLATE DETAIL
(SCALE 1 : 10)

FIRST ISSUE TENDER DRAWING 07/02

REVISIONS

Territory Development Department 拓展署
NT EAST DEVELOPMENT OFFICE
新界東拓展處

SHA TIN NEW TOWN, STAGE II

ROAD T3 & ASSOCIATED ROADWORKS
ARCHITECTURAL FINISHES
DETAILS (AREA C)

SHEETS 2 OF 4

MAUNSELL CONSULTANTS ASIA LTD.
茂盛亞洲工程顧問有限公司

DRG. NO. 63494/2308
圖紙編號

DESIGNED BY CSY CONTRACT NO. ST 79/02 DATE OF ISSUE 07/02
繪圖 核准

DRAWN BY NJ 4 STATUS TENDER DRAWING
繪圖 核准

SCALE AS SHOWN DIMENSIONS ARE IN MILLIMETRES
比例 如圖所示 尺寸單位為毫米

COPYRIGHT RESERVED
版權所有

Maunsell