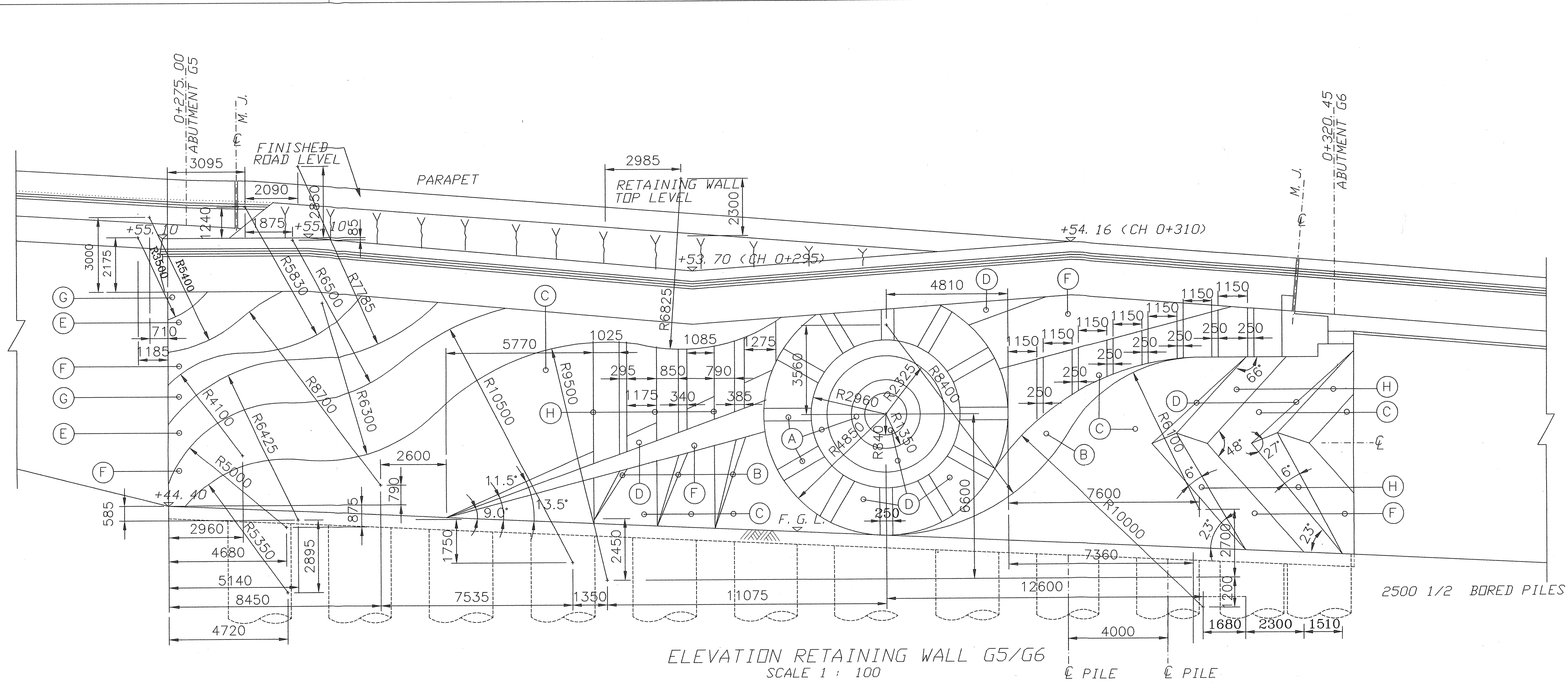
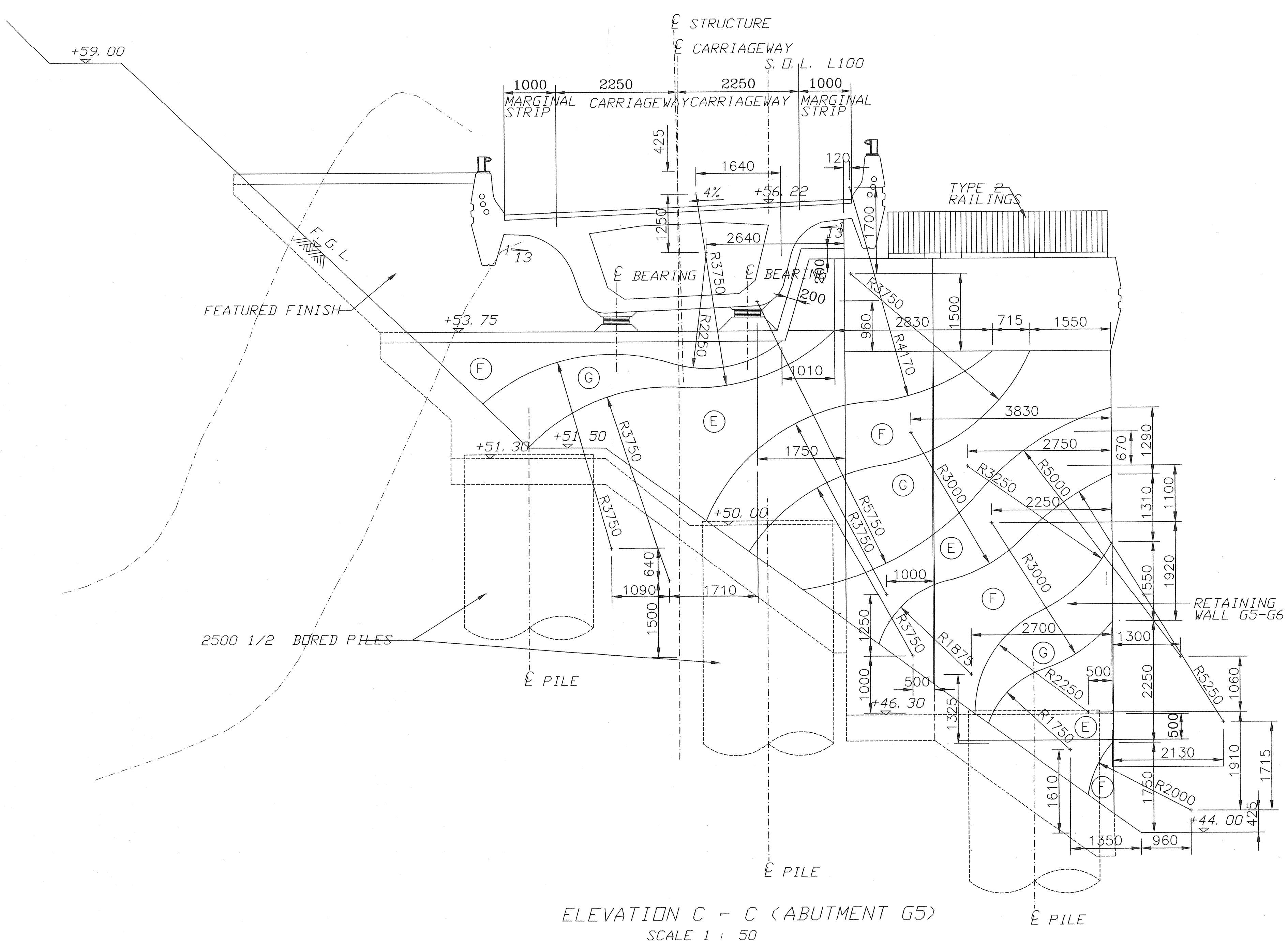


FOUNDATION LAYOUT
SCALE 1:200

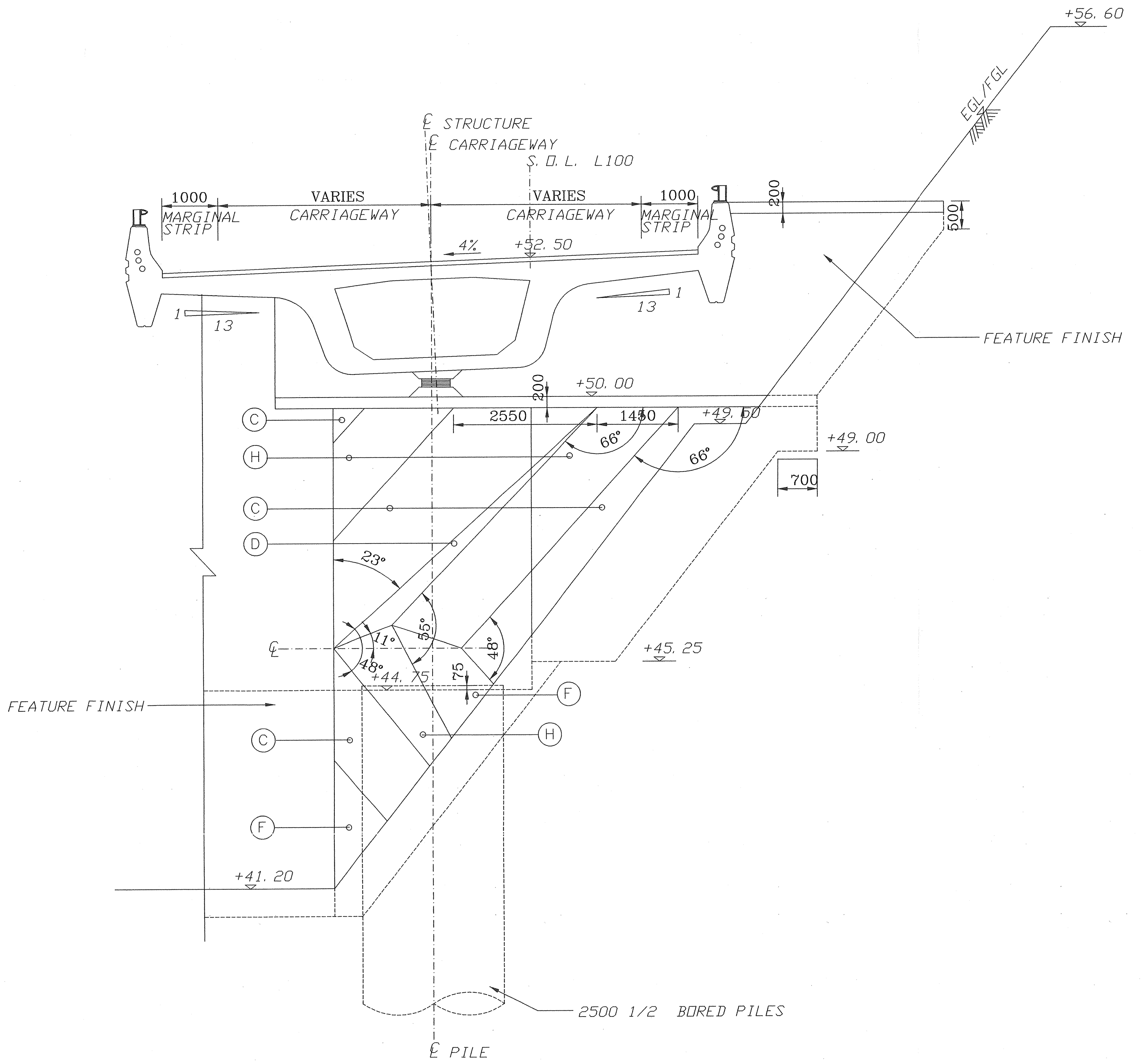


ELEVATION RETAINING WALL G5/G6
SCALE 1:100

- NOTE:
ALL COLOR SHOULD REFER TO
"ICI MASTER PALETTE COLOR SELECTION"
- A. SWARD 1106
 - B. SPARKLING WINE 397
 - C. BLUE BOW 1318
 - D. SUN SPOT 764
 - E. MIDDY BLUE 1328
 - F. BLUE FLAME 1446
 - G. FLORIDIAN 1308
 - H. CHERRY RED 120



ELEVATION C - C (ABUTMENT G5)
SCALE 1:50



ELEVATION D - D (ABUTMENT G6)
SCALE 1:50

FIRST ISSUE TENDER DRAWING		07/02
REV REV	DESCRIPTION 內容摘要	DATE 日期
Territory Development Department 拓展署		
NT EAST DEVELOPMENT OFFICE 新界東拓展處		
SHA TIN NEW TOWN, STAGE II		
ROAD T3 & ASSOCIATED ROADWORKS		
ARCHITECTURAL FINISHES DETAILS (AREA C)		
SHEET 4 OF 4		
MAUNSELL CONSULTANTS ASIA LTD. 茂盛亞洲工程顧問有限公司		
DRG. NO. 圖紙編號	63494/2310	
DESIGNED BY 設計	CONTRACT NO. 合約編號	DATE OF ISSUE 發出日期
DJ	ST 79/02	
DRAWN BY 繪圖	LH 1	STATUS 階段
SCALE 比例	AS SHOWN	TENDER DRAWING
DIMENSIONS ARE IN 尺寸單位		MILLIMETRES
COPYRIGHT RESERVED 版權所有		

Maunsell