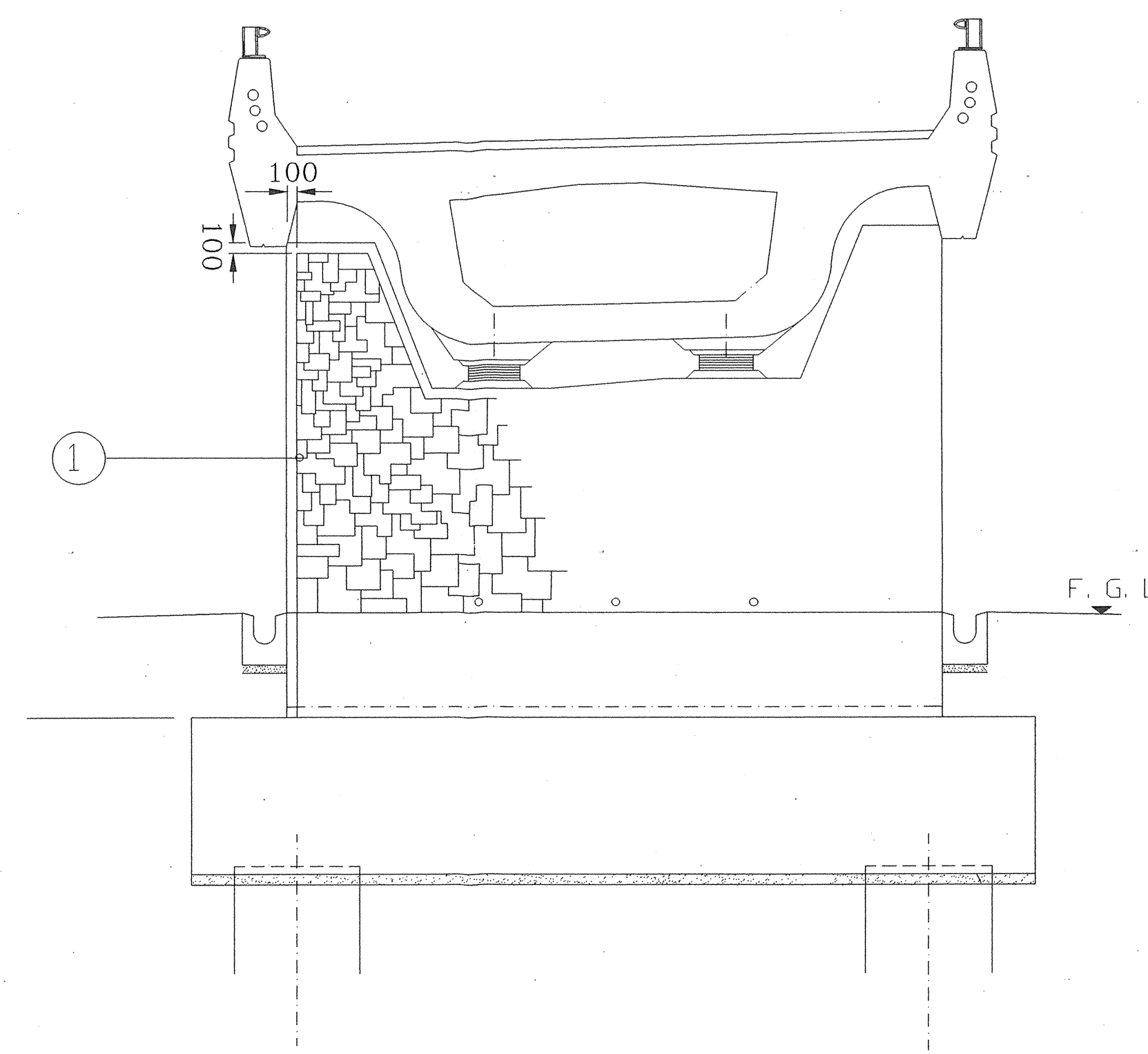
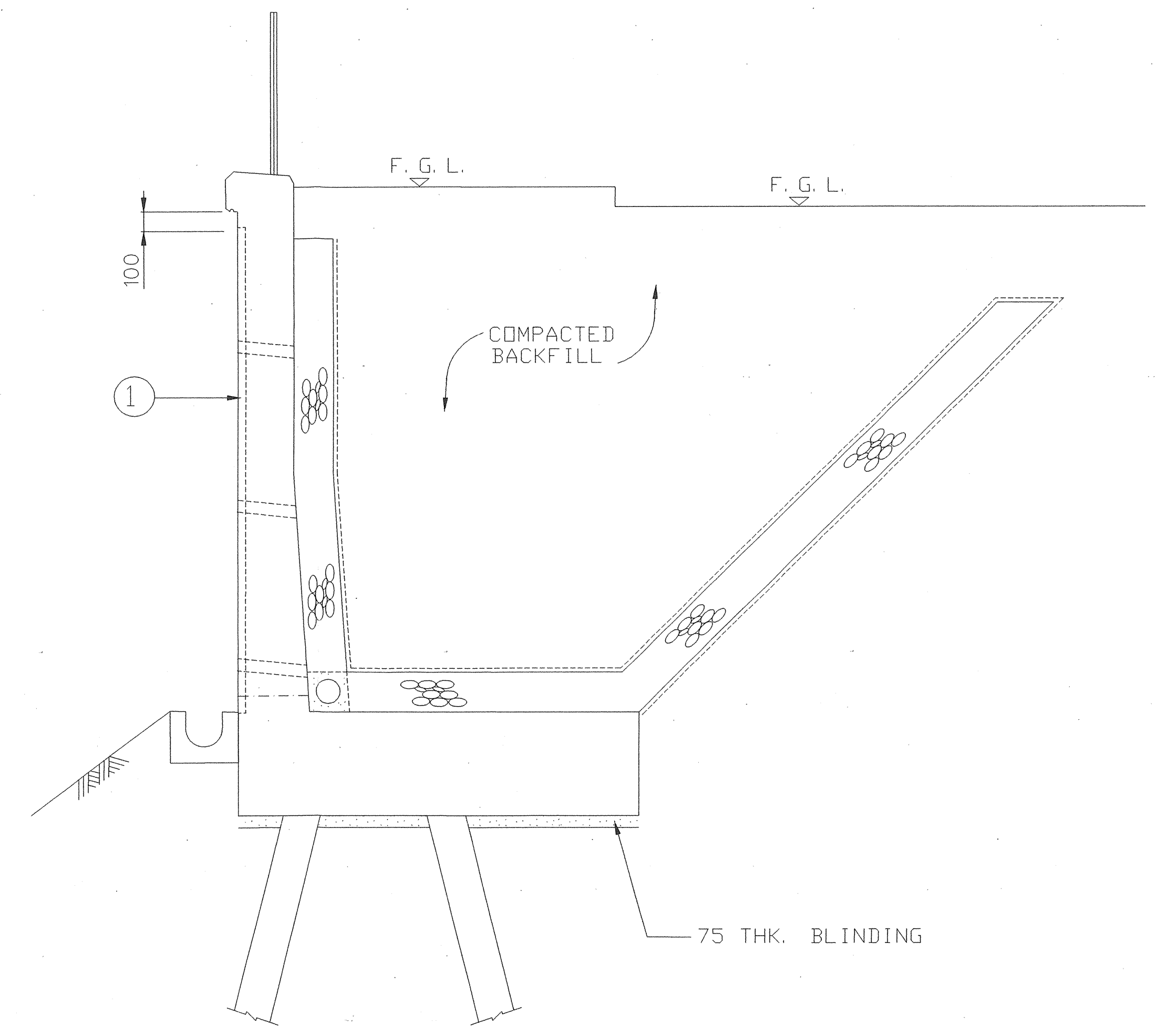


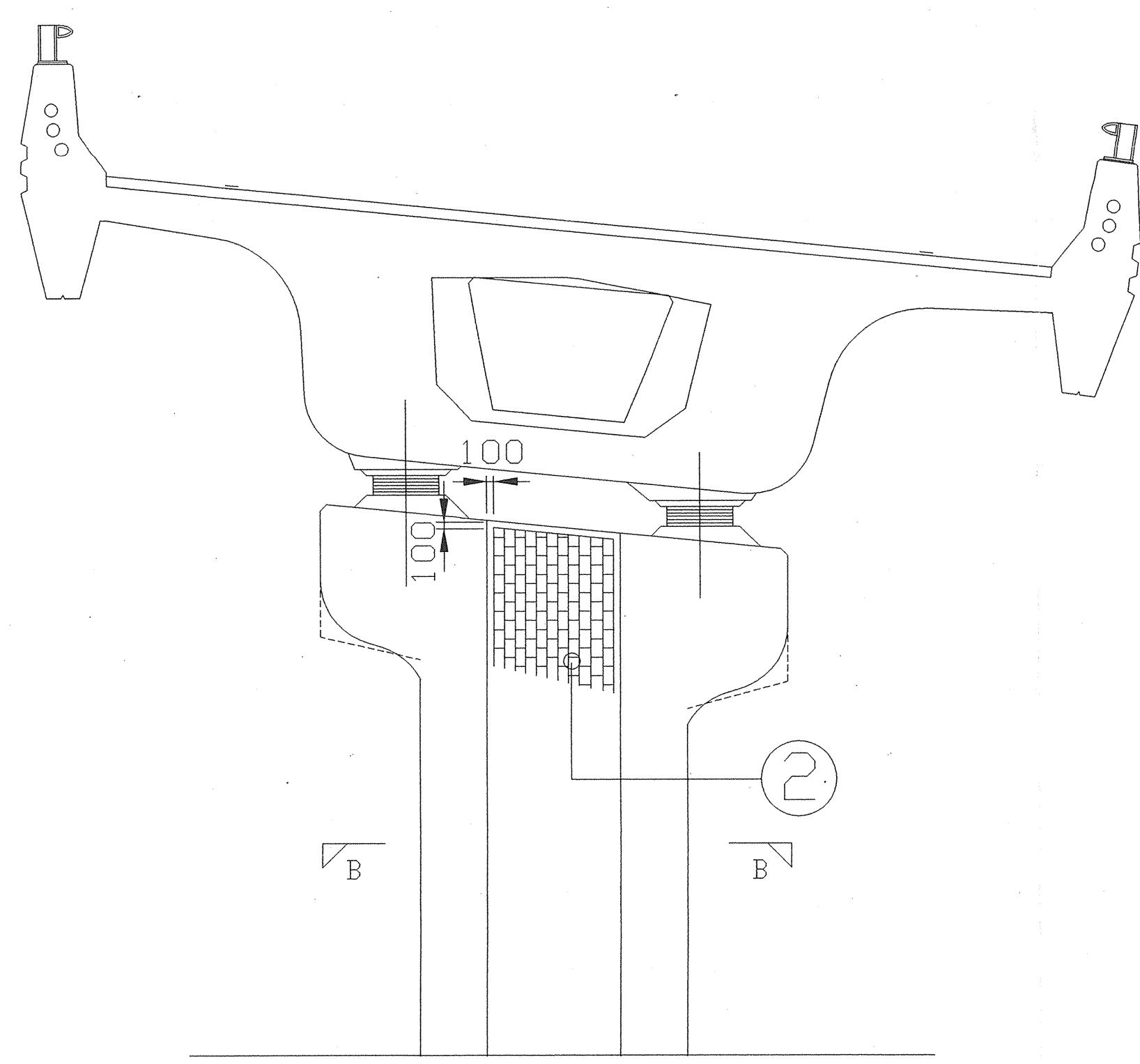
ELEVATION A - A
SCALE 1 : 50



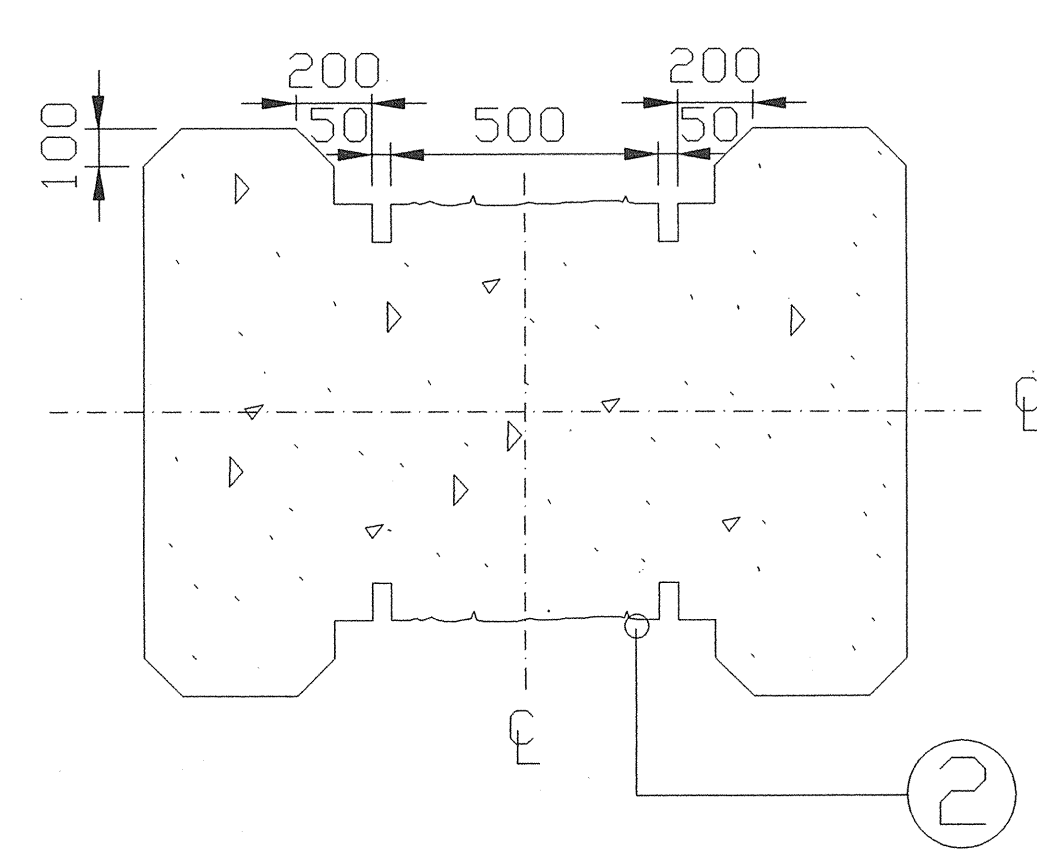
FRONT ELEVATION A-A
SCALE 1 : 50



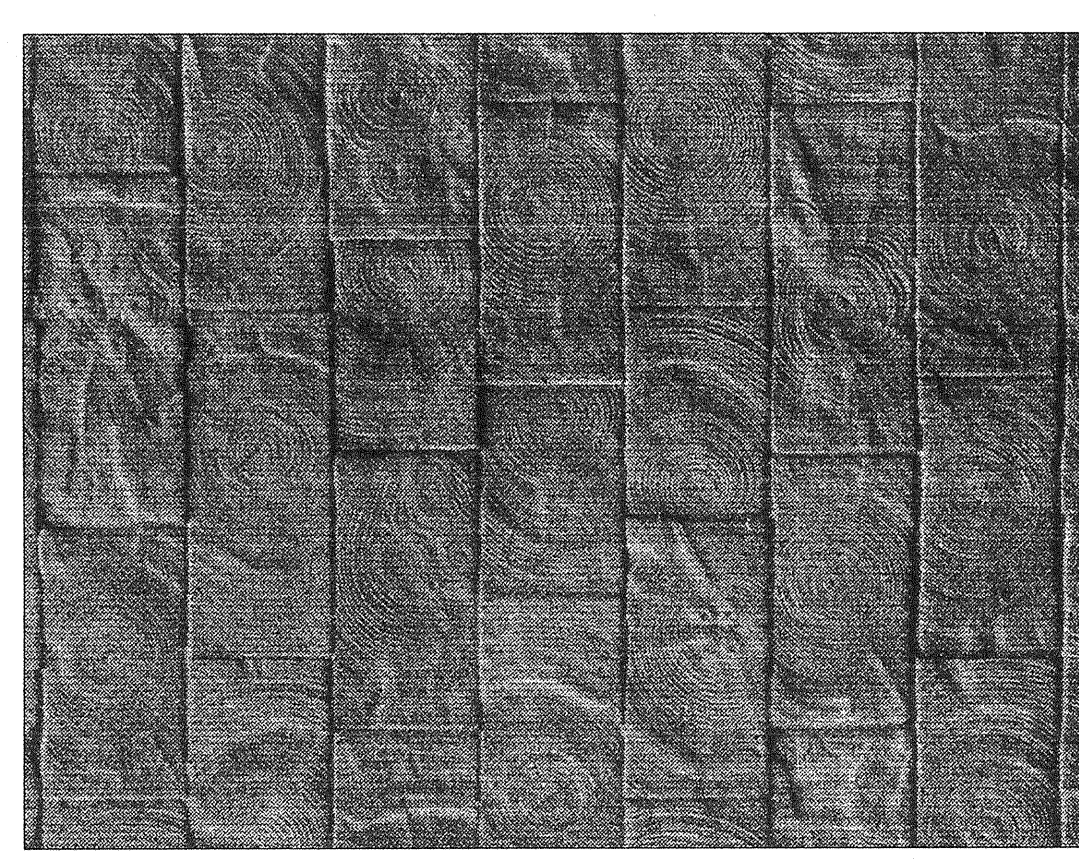
TYPICAL DETAIL OF
RETAINING WALL TYPE G
(SIMILAR FINISHES FOR OTHER TYPES OF SUPPORT IN THIS AREA)
SCALE 1 : 20



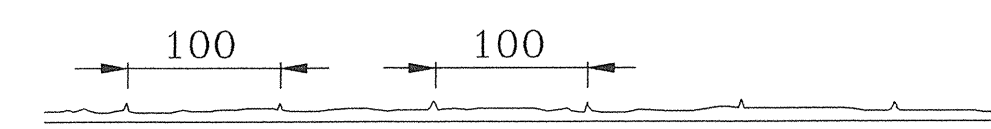
TYPICAL DEVELOPED ELEVATION OF PIER SUPPORTS
(SIMILAR FINISH FOR OTHER TYPE OF SUPPORT IN THIS AREA)
SCALE 1 : 200



SECTION B-B
SCALE 1 : 20



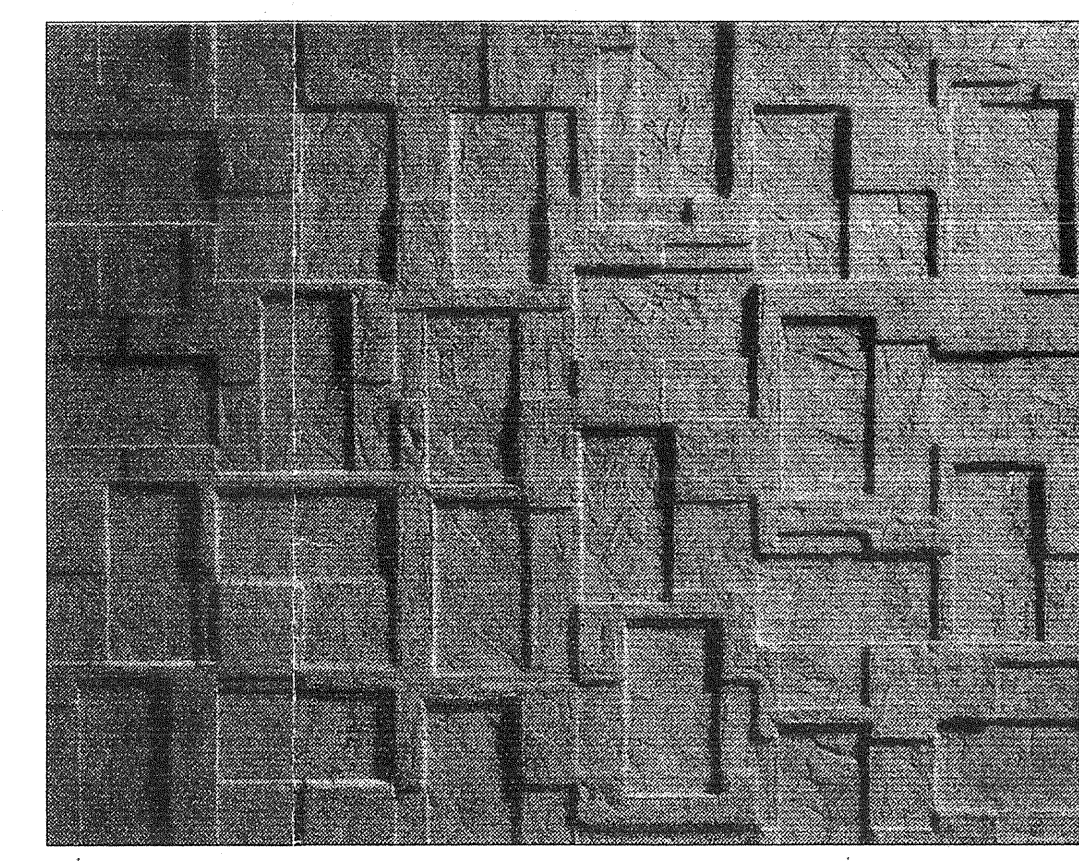
ELEVATION



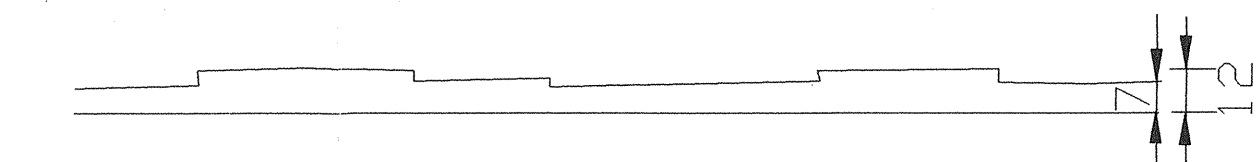
SECTION
SCALE 1 : 5

SPECIFICATION :
RECKLI STRUCTURED MATRIX EQUAL OR EQUIVALENT
NO. 2/27 EMS
MOULD SIZE : 7.0m x 3.8m
LONGITUDINAL DIRECTION
OF STRUCTURE = 7.0m.
3.8m x 7.3m.
LONGITUDINAL DIRECTION OF STRUCTURE = 3.8m.

1 ABUTMENT AND RETAINING WALLS FINISHES IN AREA D



ELEVATION



SECTION
SCALE 1 : 5

SPECIFICATION :
RECKLI STRUCTURED MATRIX EQUAL OR EQUIVALENT
NO. 2/50 SIEG
MOULD SIZE : 7.3m x 3.8m
LONGITUDINAL DIRECTION
OF STRUCTURE = 7.3m
3.8m x 7.3m
LONGITUDINAL DIRECTION
OF STRUCTURE = 3.8m

2 PIER SURFACE FINISHES IN AREA D

TENDER ADDENDUM NO.2		09/02	
A	REVISED	TTS	07/02
FIRST ISSUE TENDER DRAWING		CHK	07/02
REV	DESCRIPTION	CHK	DATE
01	內容編製	CHK	日期
Territory Development Department 拓展署		CHK	
NT EAST DEVELOPMENT OFFICE		CHK	
新界東拓展處		CHK	

SHA TIN NEW TOWN, STAGE II
ROAD T3 & ASSOCIATED ROADWORKS
ARCHITECTURAL FINISHES
DETAILS (AREA D)

MAUNSELL CONSULTANTS ASIA LTD. 茂盛亞洲工程顧問有限公司		DRG. NO. 圖紙編號	63494/2313 ^A	DATE OF ISSUE 發出日期	07/02
DESIGNED BY 設計	CONTRACT NO. 合約編號				
CSY	ST 79/02	SCALE 比例	AS SHOWN	STATUS 階段	TENDER DRAWING
DIMENSIONS ARE IN 尺寸單位		MILLIMETRES			
©		COPYRIGHT RESERVED 版權所有			

Mausell