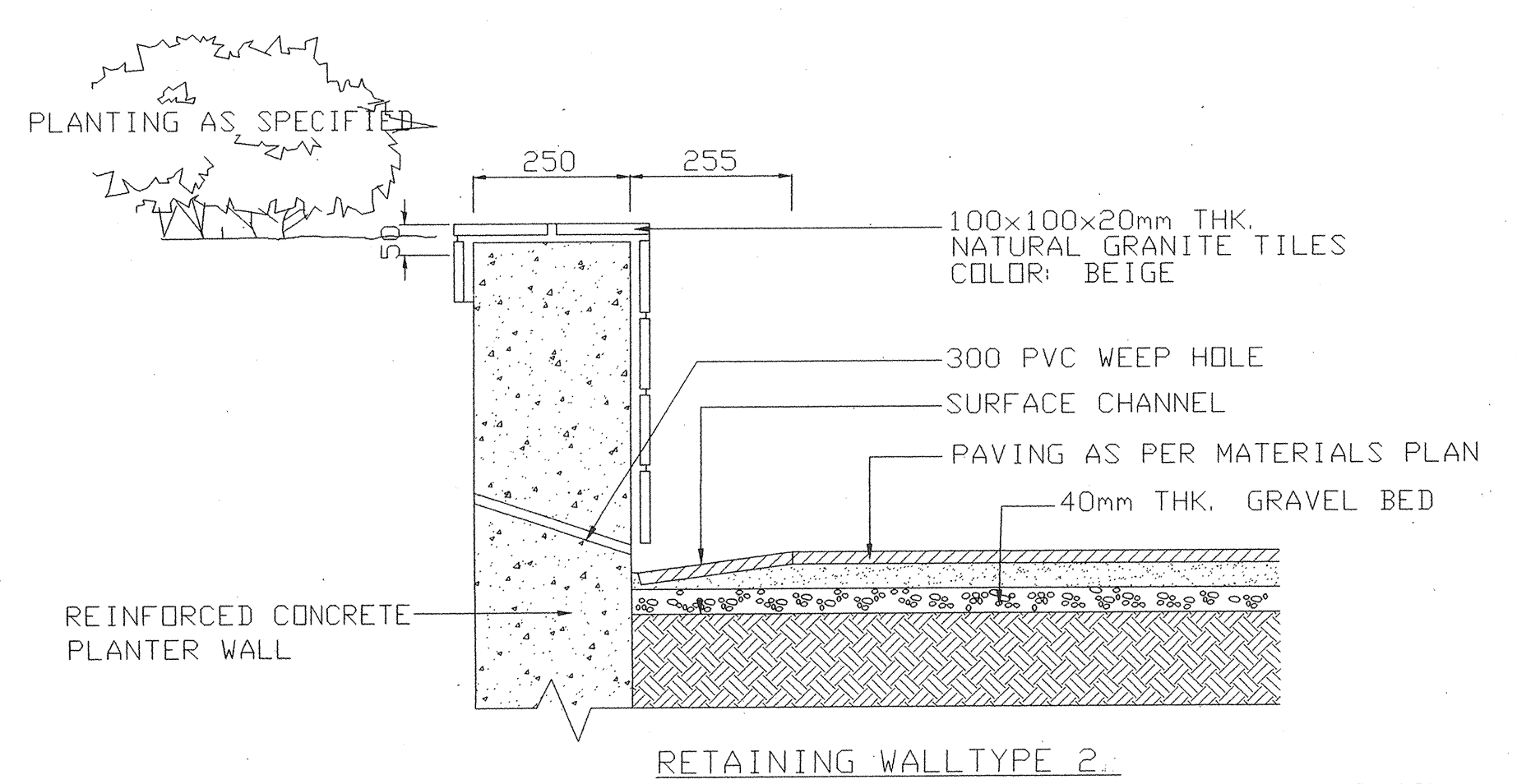
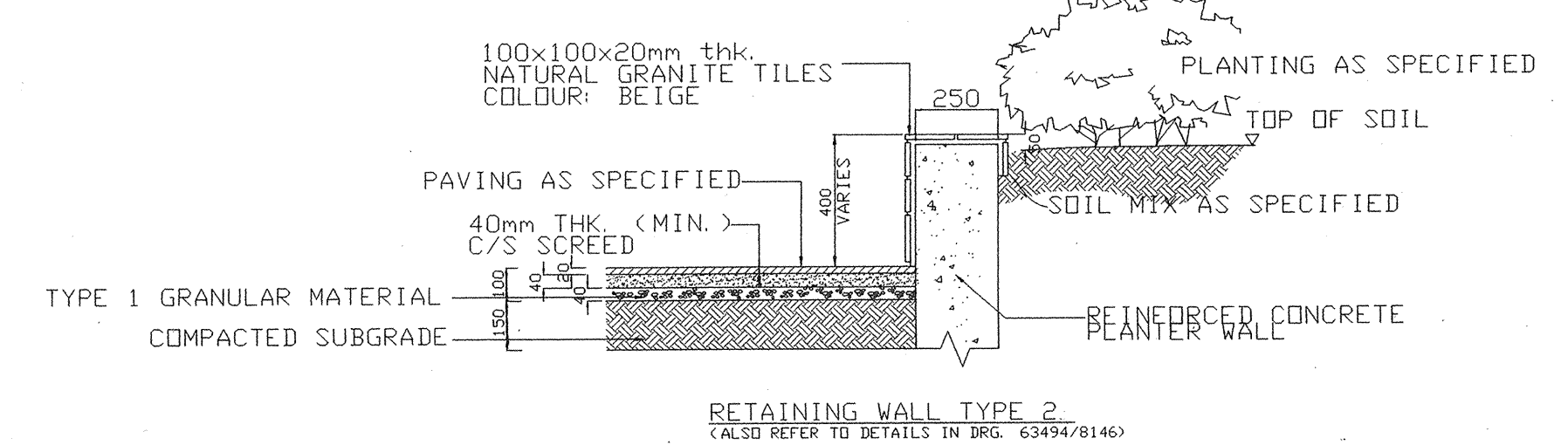


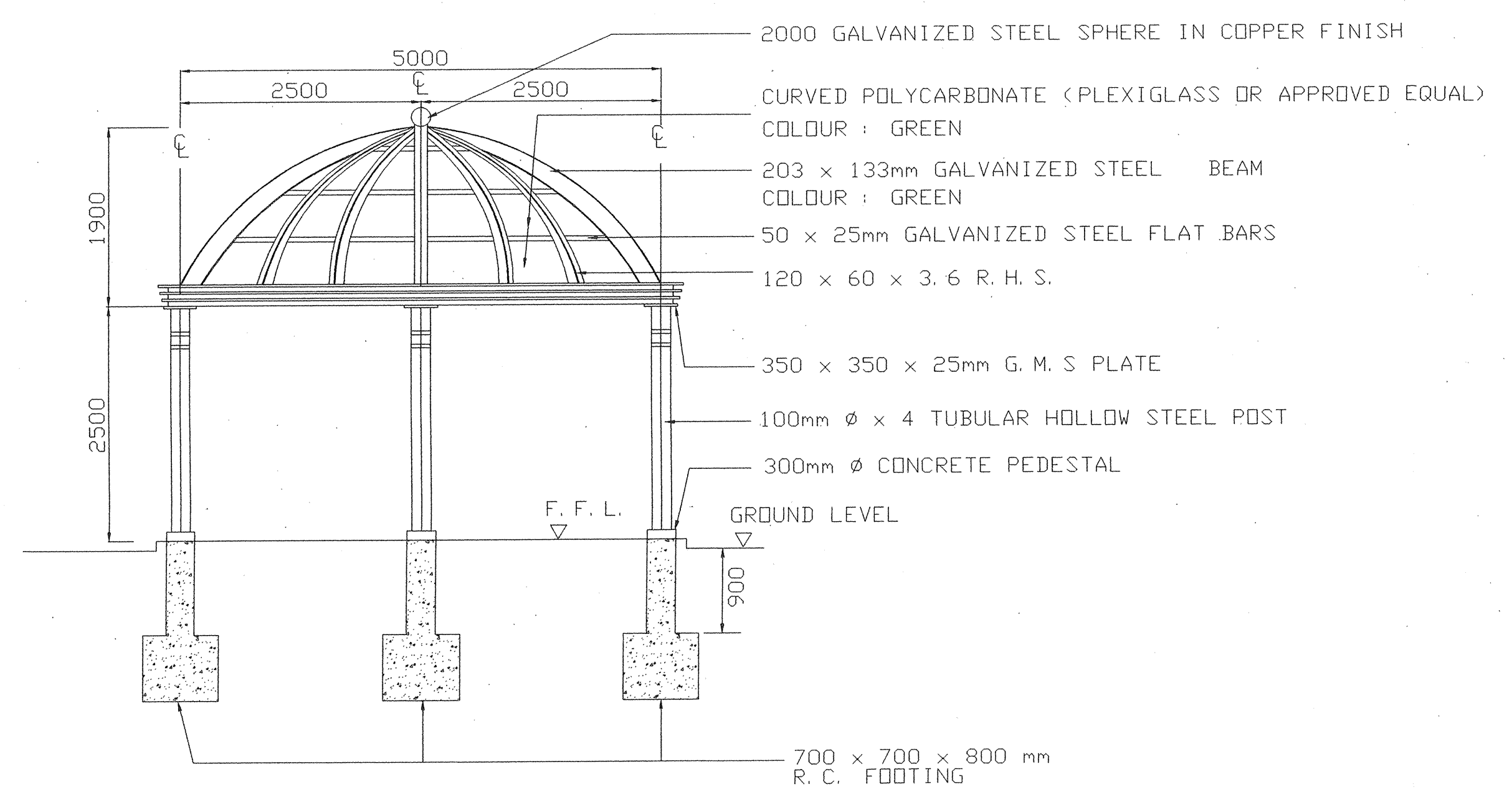
NOTES:
1. ALL DIMENSIONS TO BE IN MILLIMETERS UNLESS OTHERWISE STATED



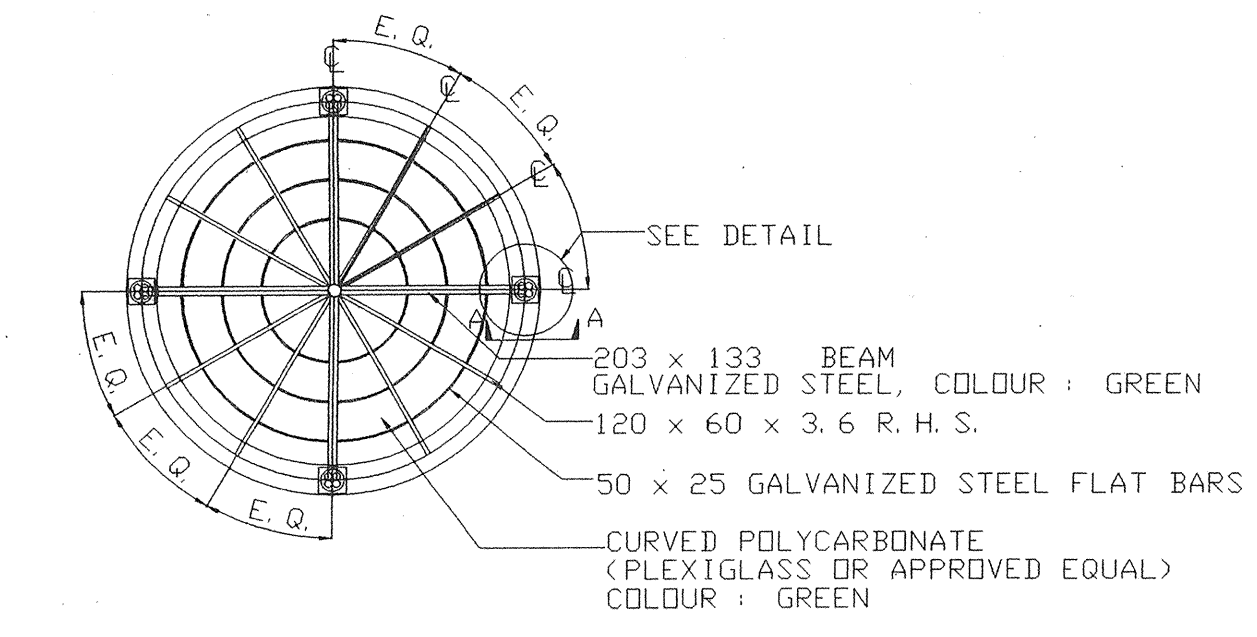
A PLANTER WALL W SURFACE CHANNEL
SCALE 1 : 10



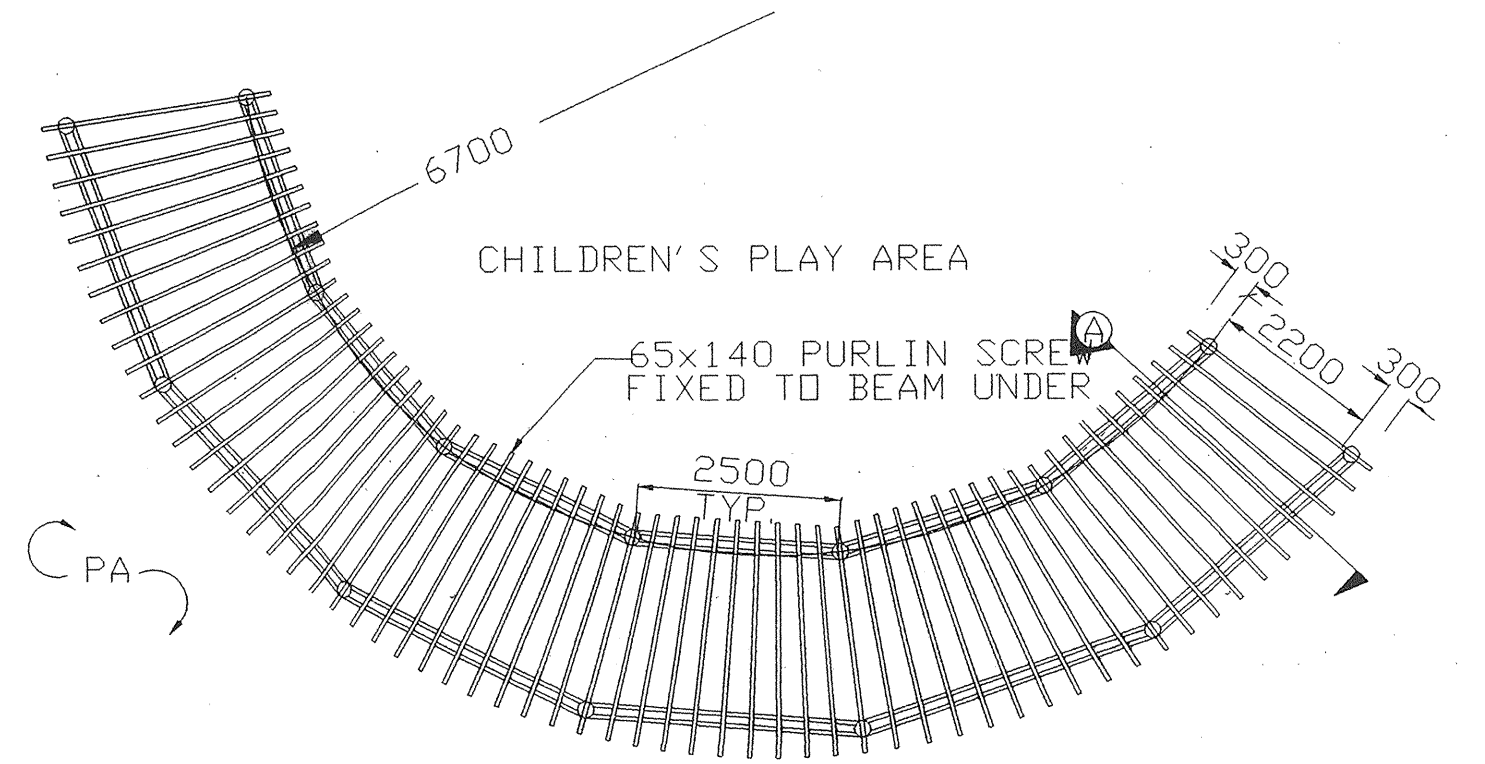
B PLANTER WALL SECTION
SCALE 1 : 20



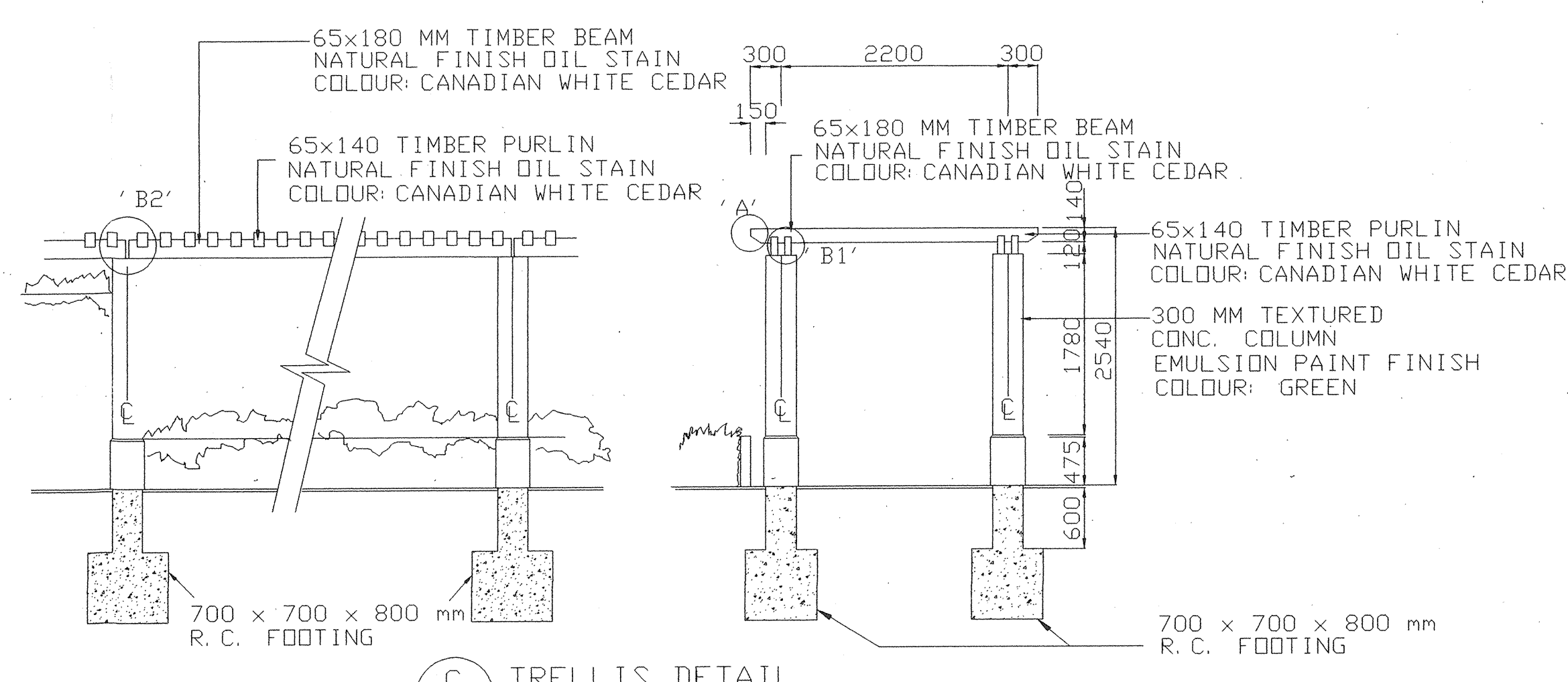
ELEVATION
SCALE 1 : 50



PLAN
SCALE 1 : 100



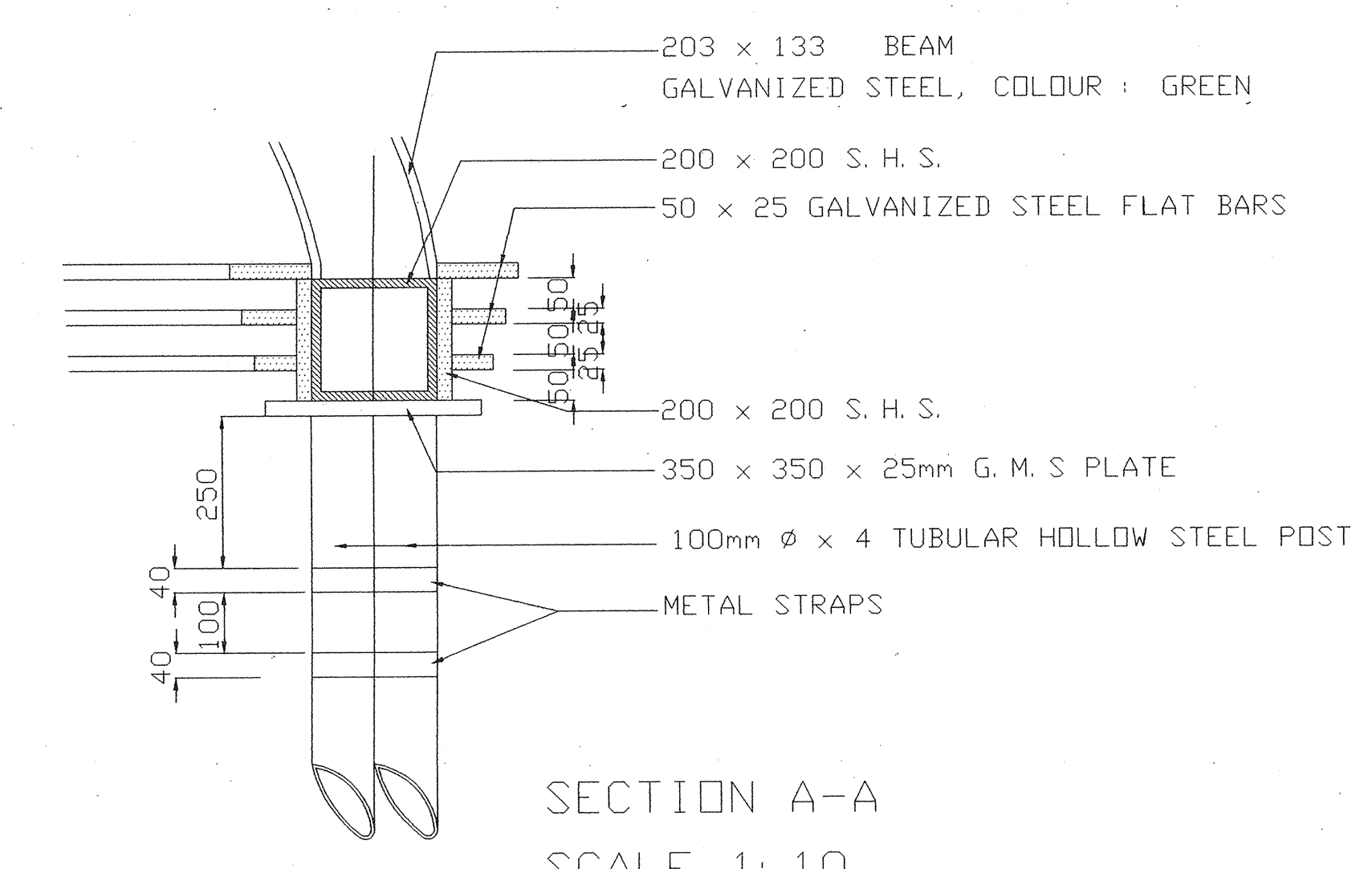
PLAN
SCALE 1 : 100



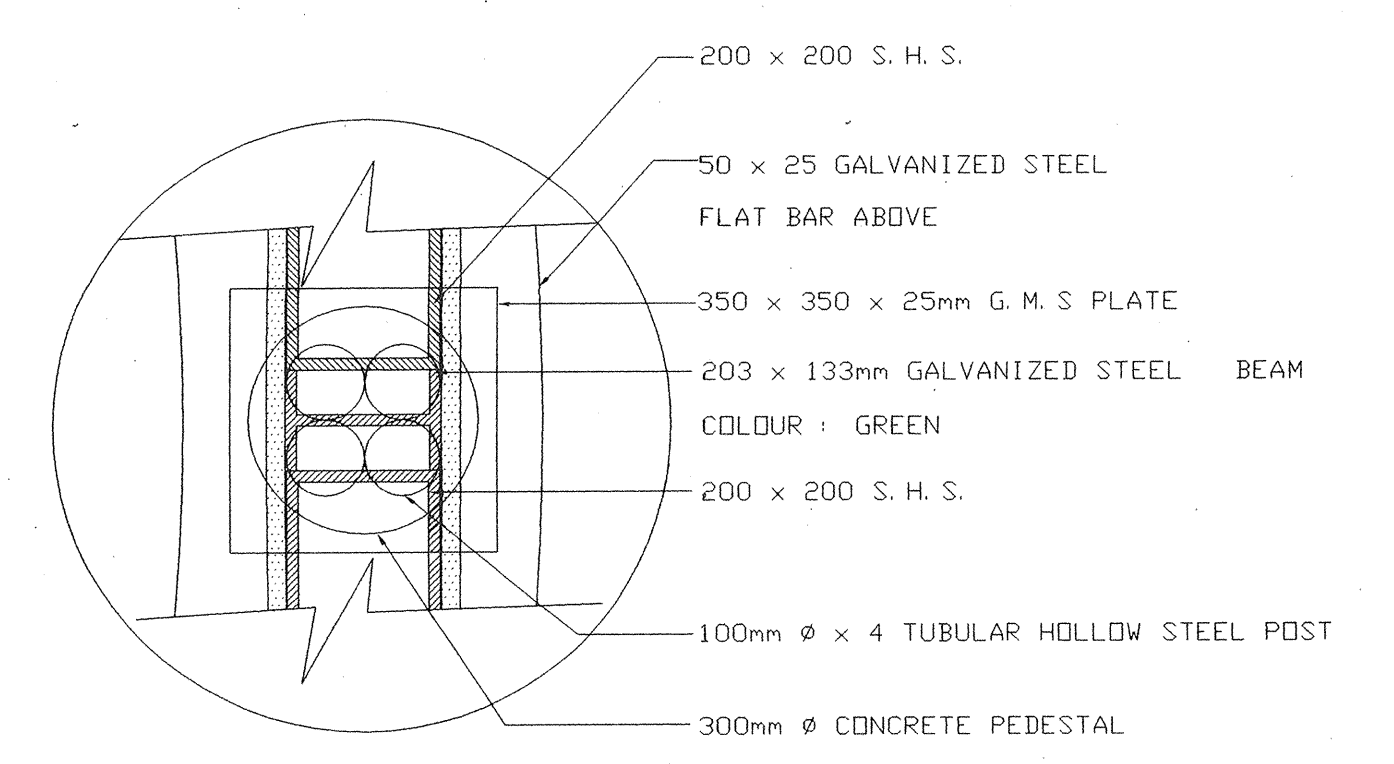
C TRELLIS DETAIL

ELEVATION
SCALE 1 : 50

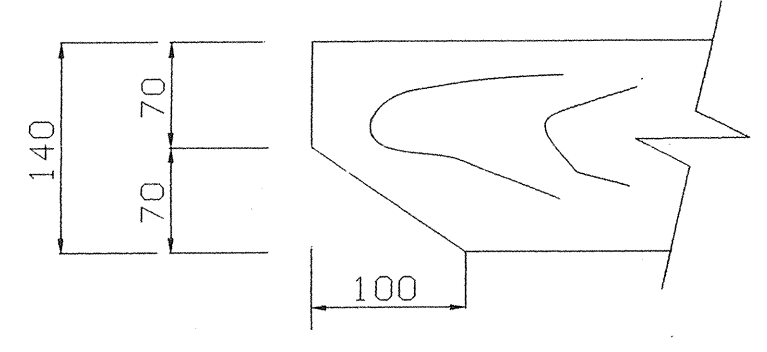
SECTION
SCALE 1 : 50



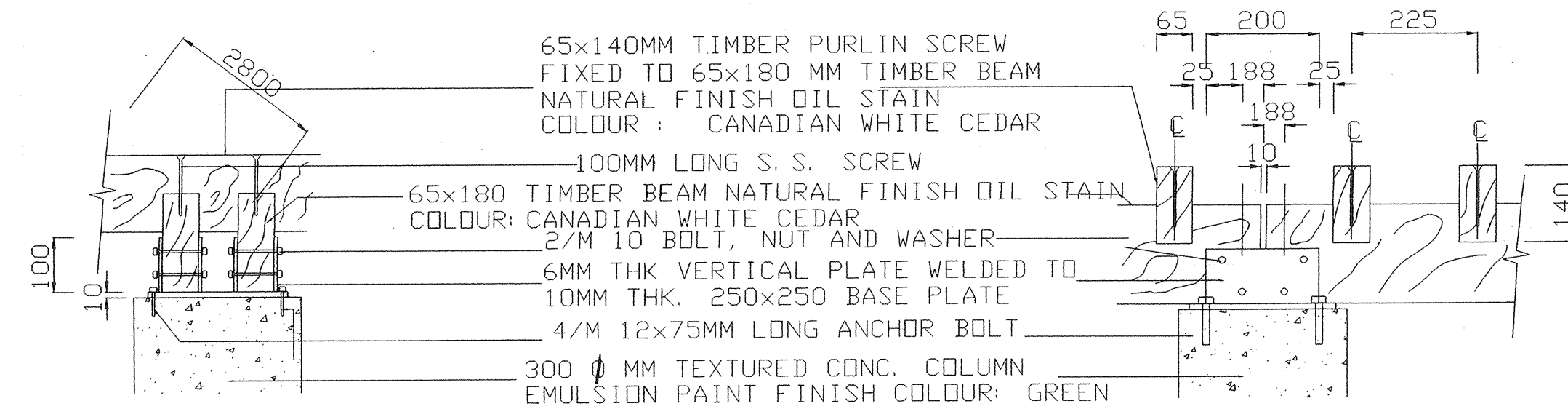
SECTION A-A
SCALE 1 : 10



DETAIL PLAN
SCALE 1 : 10

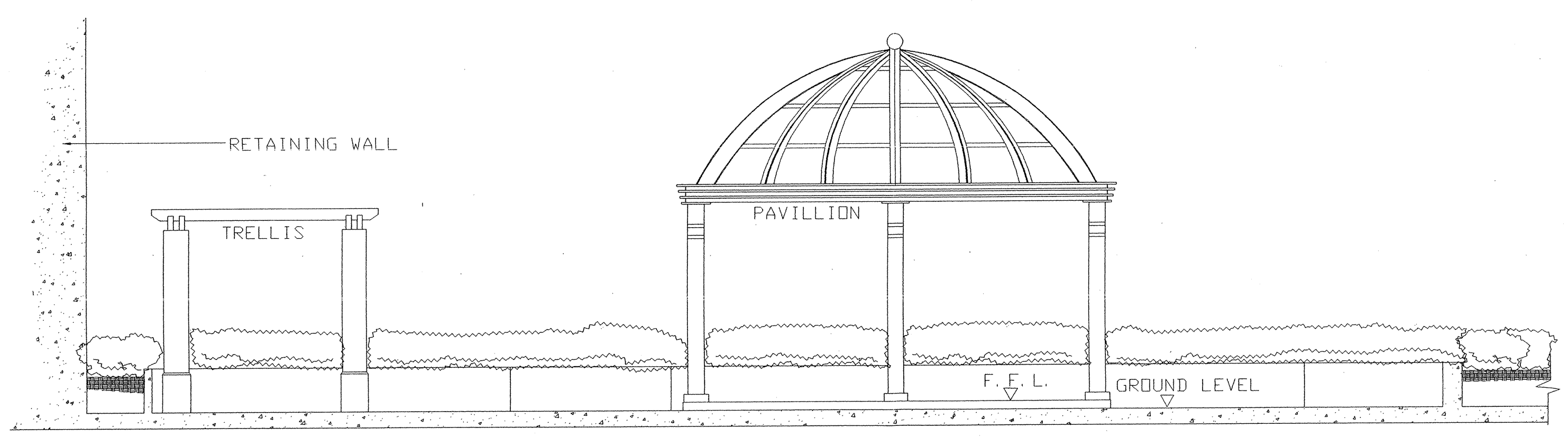


DETAIL A
SCALE 1 : 5

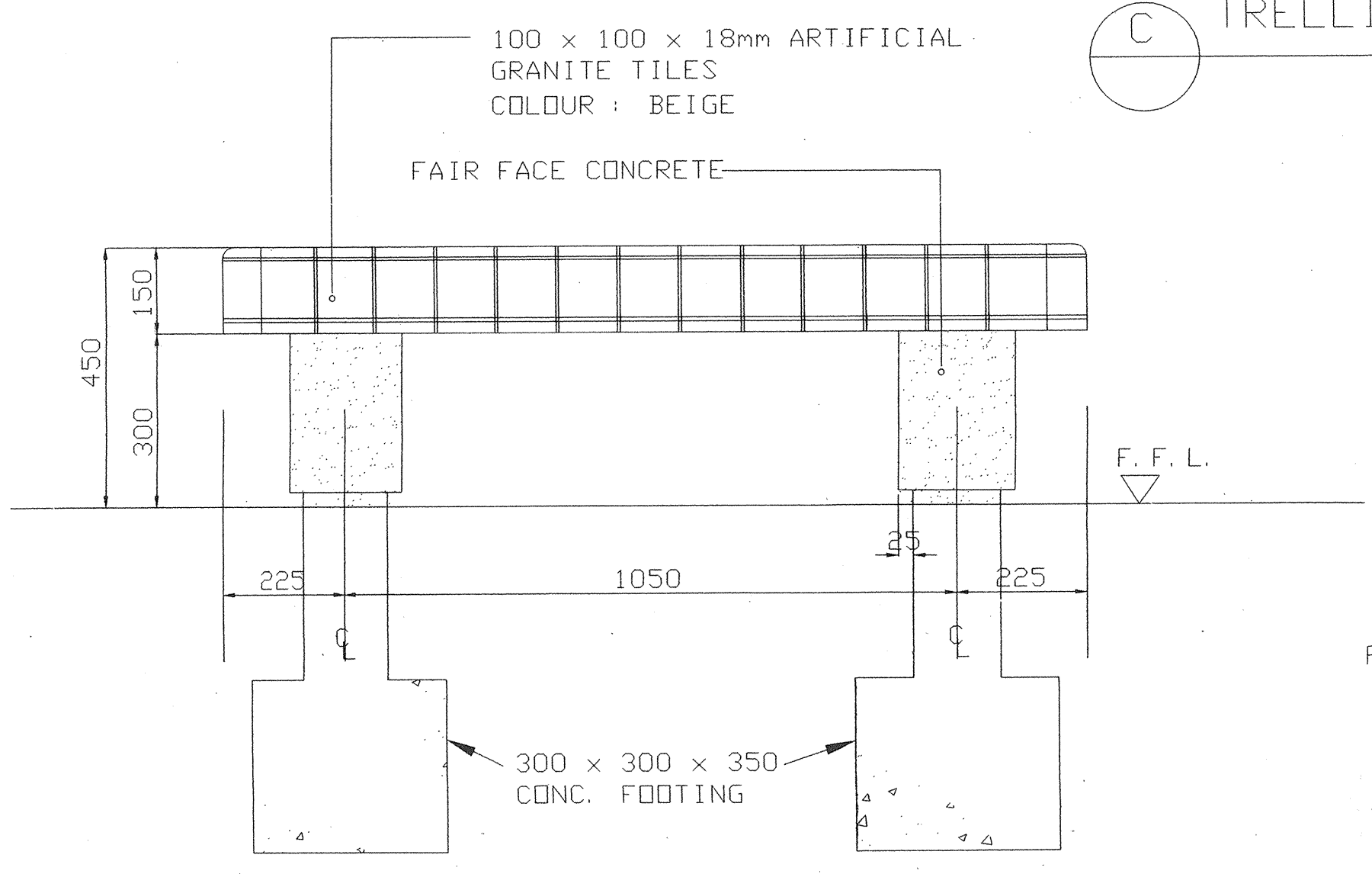


DETAIL - B1
SCALE 1 : 10

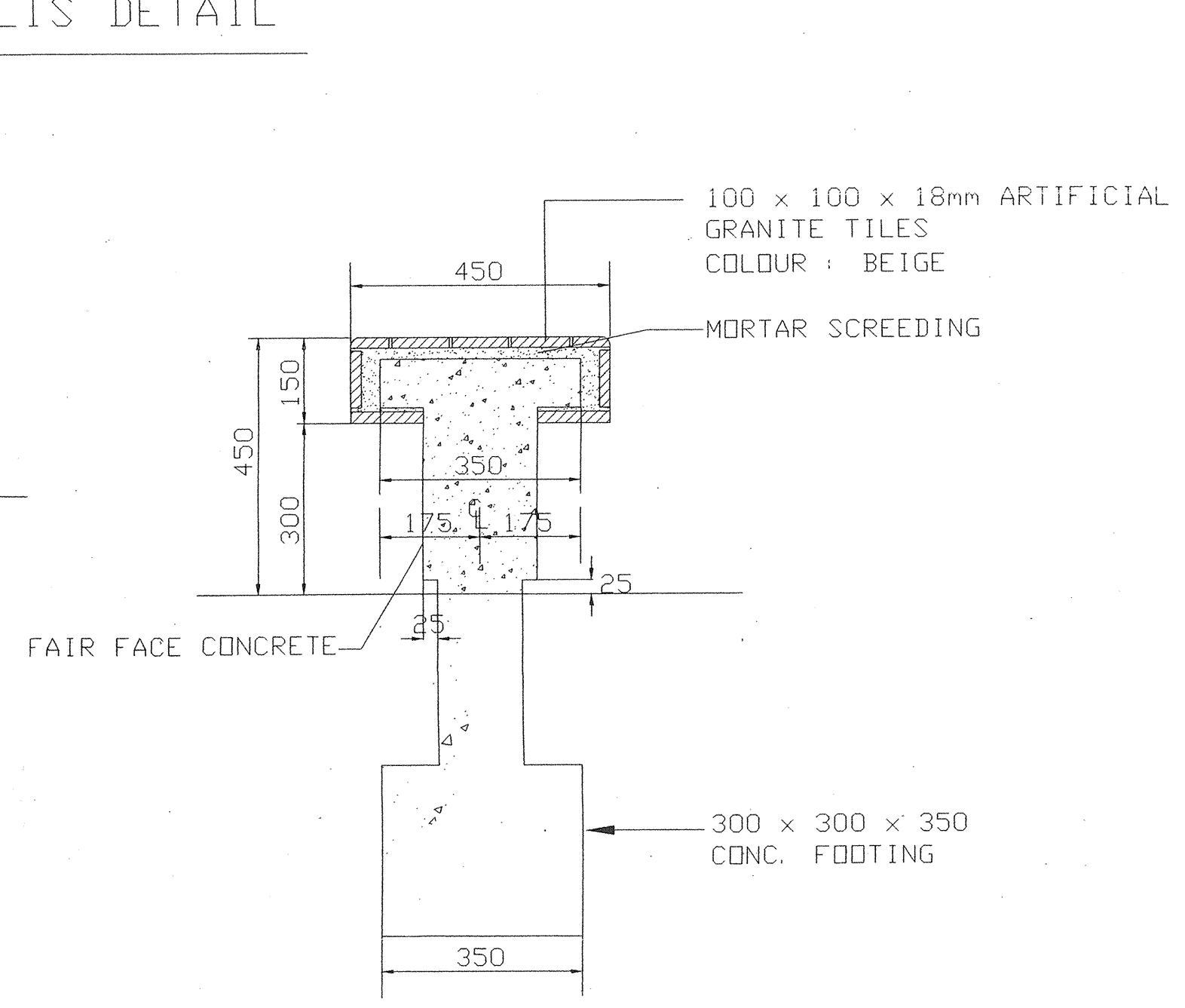
DETAIL - B2
SCALE 1 : 10



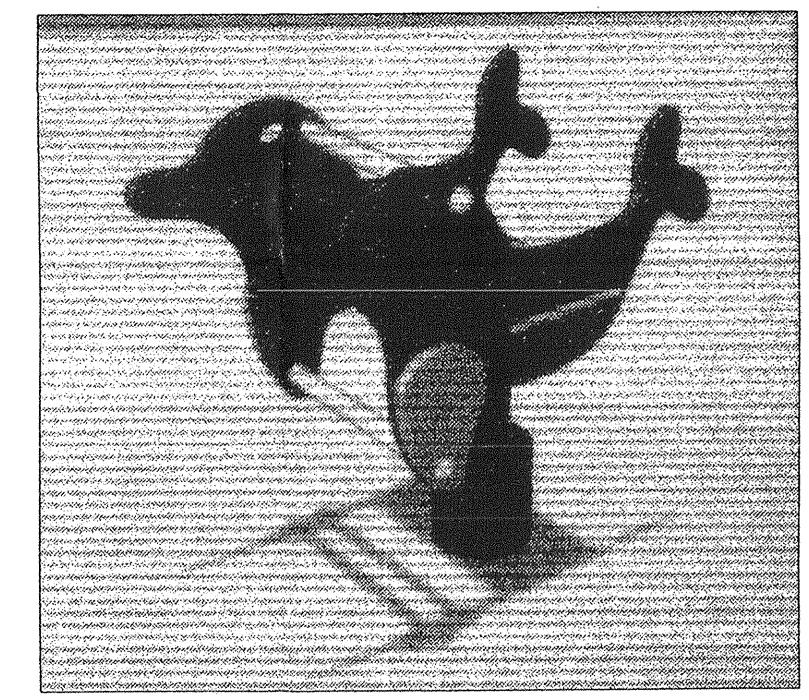
F SECTION ALONG TRELLIS/PAVILLION AND RETAINING WALL
SCALE 1 : 50



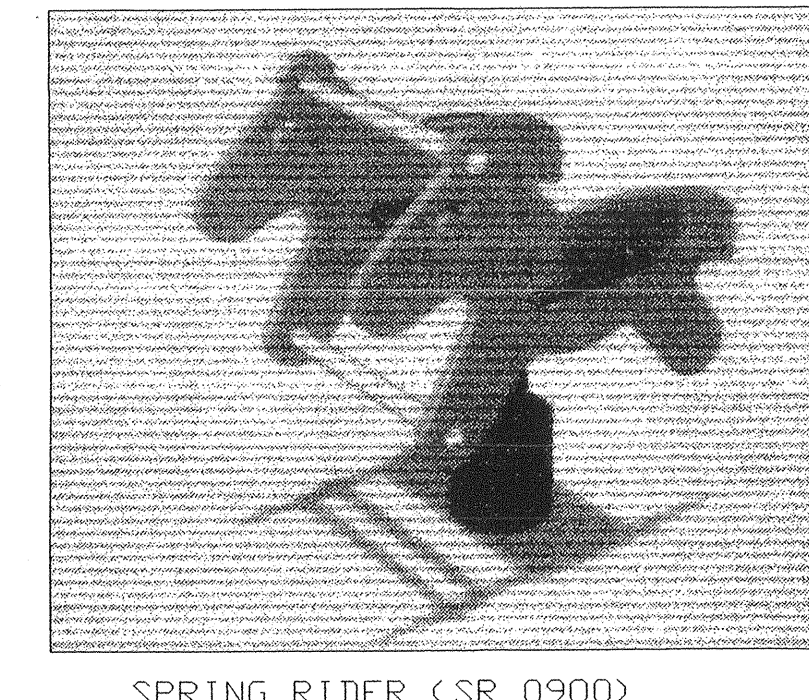
ELEVATION
SCALE 1 : 10



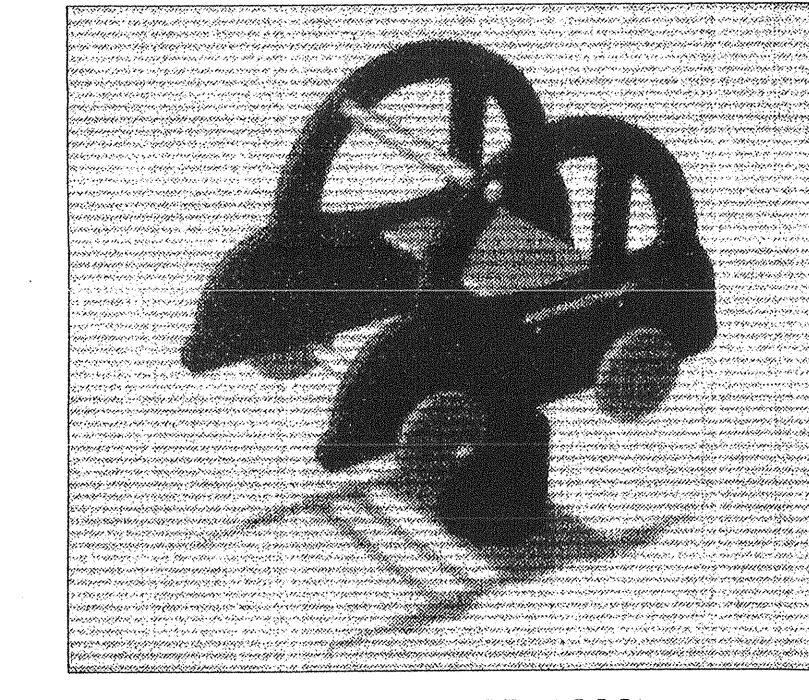
SECTION A-A
SCALE 1 : 10



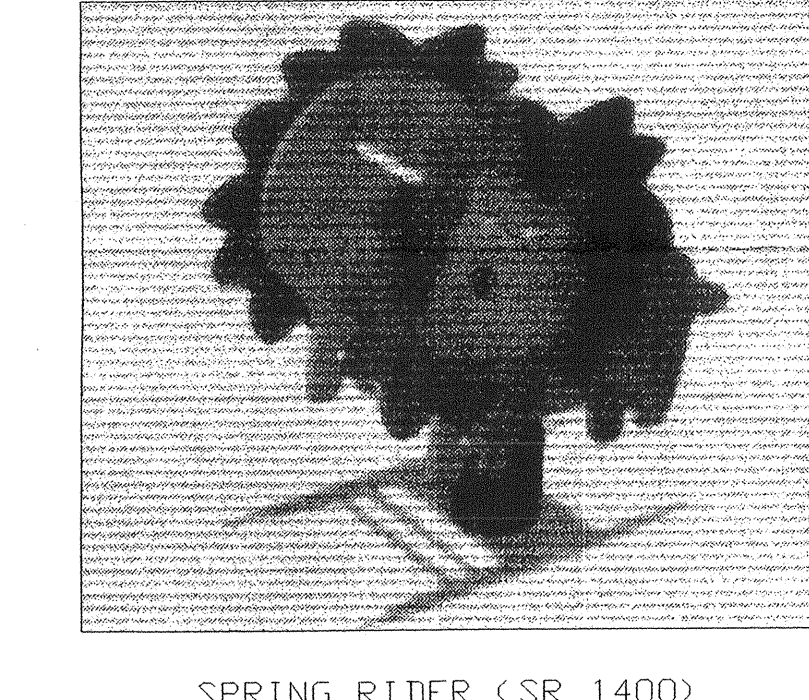
SPRING RIDER (SR 0800)



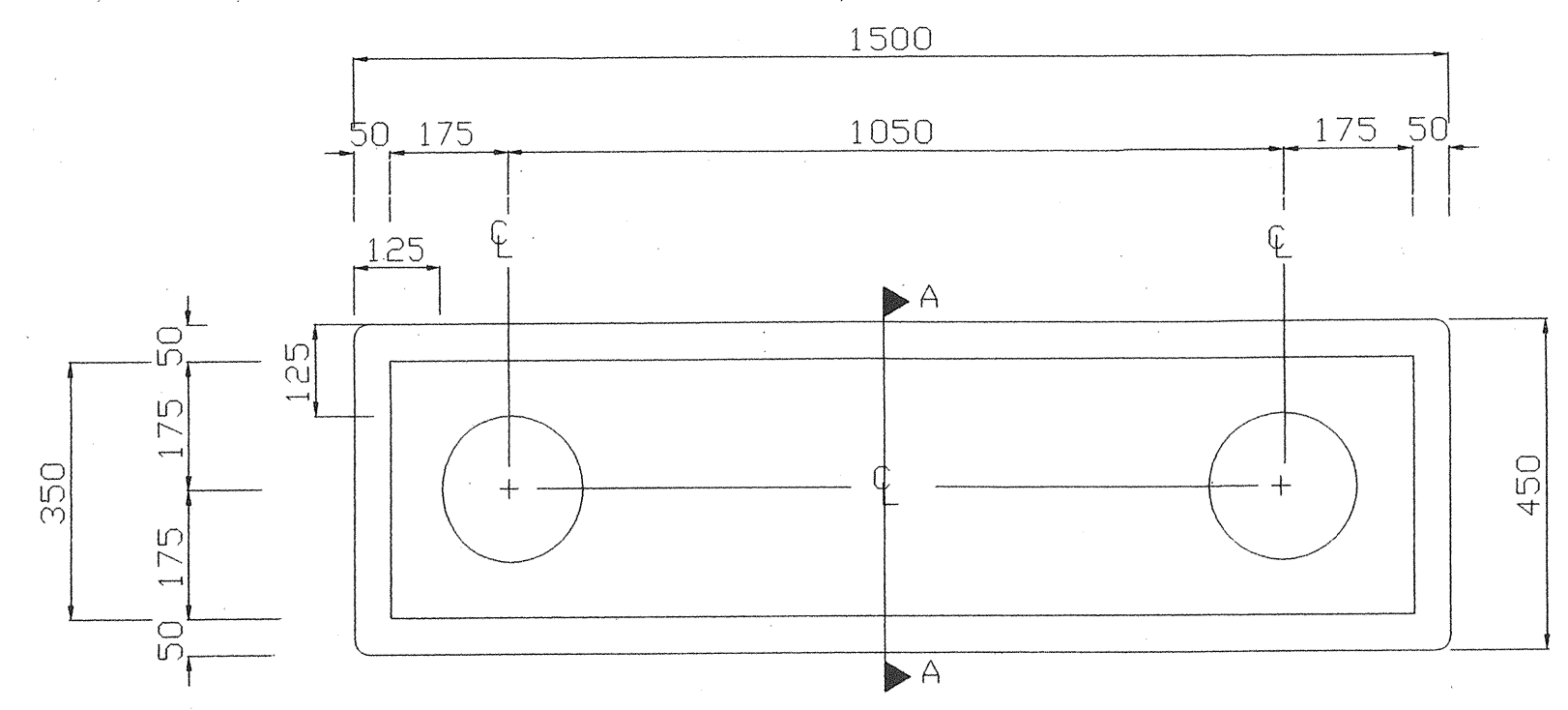
SPRING RIDER (SR 0900)



SPRING RIDER (SR 1300)

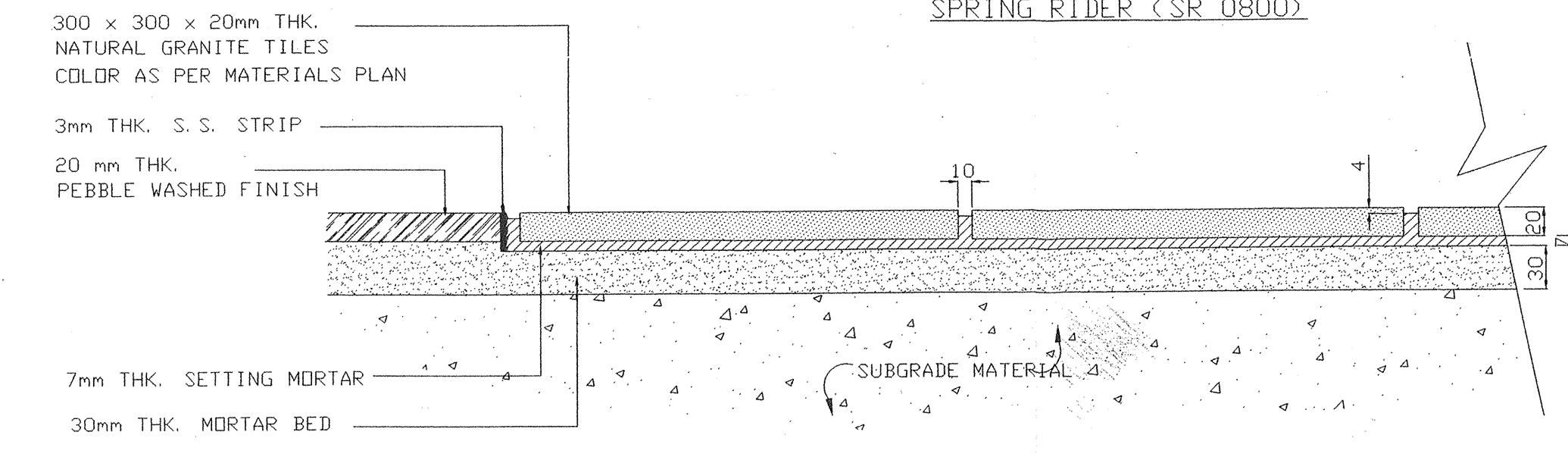


SPRING RIDER (SR 1400)



PLAN
SCALE 1 : 10

E CONCRETE BENCH DETAIL



H PAVING DETAIL
SCALE 1 : 4

'CHILDSPEC' SPRING RIDER SPECIFICATION (OR APPROVED EQUAL)

PRODUCT CODE	DESCRIPTION	DIMENSIONS (mm)	WEIGHT (kg)	QUANTITY	SUPPLIER
SR 0800	DOLPHIN	868 x 414 x 854	30.5	2	JETS TECHNICS LTD.
SR 0900	CRAZY PONY	744 x 414 x 834	29.5	3	JETS TECHNICS LTD.
SR 1300	MINI-CAR	810 x 414 x 842	31.5	2	JETS TECHNICS LTD.
SR 1400	LION	900 x 414 x 1010	34	3	JETS TECHNICS LTD.

A	GENERAL REVISION	773	RNGR	JG	OCT 02
-	FIRST ISSUE	773	PCAR	JG	9.2000
REV.	DESCRIPTION	DATE	CHECKED	APPROVED	DATE
01	內項變更				

Territory Development Department 拓展署
NT EAST DEVELOPMENT OFFICE
新界東拓展署

SHA TIN NEW TOWN, STAGE II
ROAD T3 AND ASSOCIATED ROADWORKS
CHIK WAN STREET REST GARDEN
SECTIONS AND DETAILS

TEAM 73 HK
ENVIRONMENTAL PLANNERS
地利環境顧問事務所

MAUNSELL CONSULTANTS ASIA LTD.
茂盛亞洲工程顧問有限公司

DRG. NO. PR63494/2104^A
圖紙編號

DESIGNED BY TEAM 73 HK
CONTRACT NO. ST79/02
DATE OF ISSUE 發出日期

DRAWN BY GS
STATUS Preliminary Drawing
SCALE AS SHOWN
DIMENSIONS ARE IN MILLIMETER
© COPYRIGHT RESERVED
版權所有

Mausnell