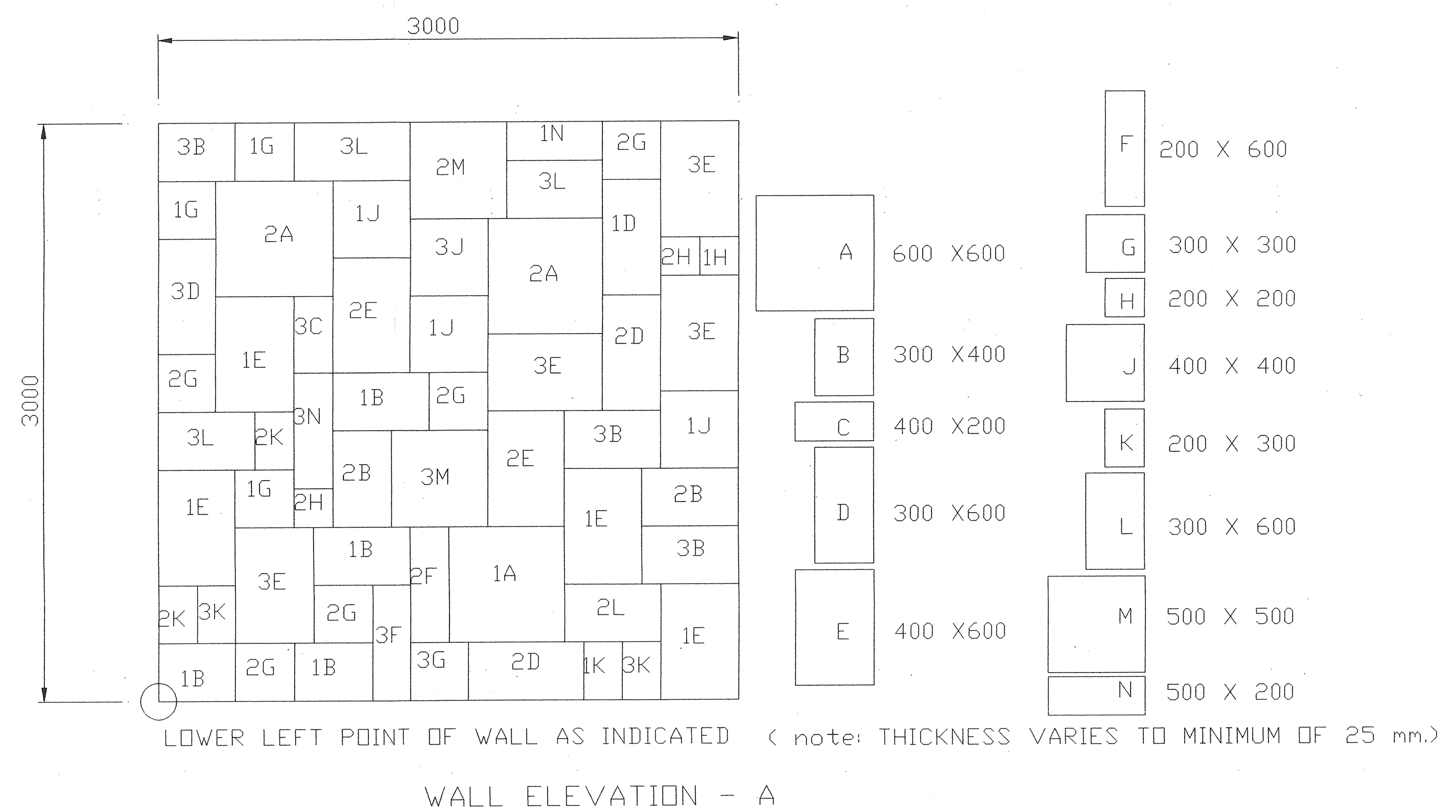
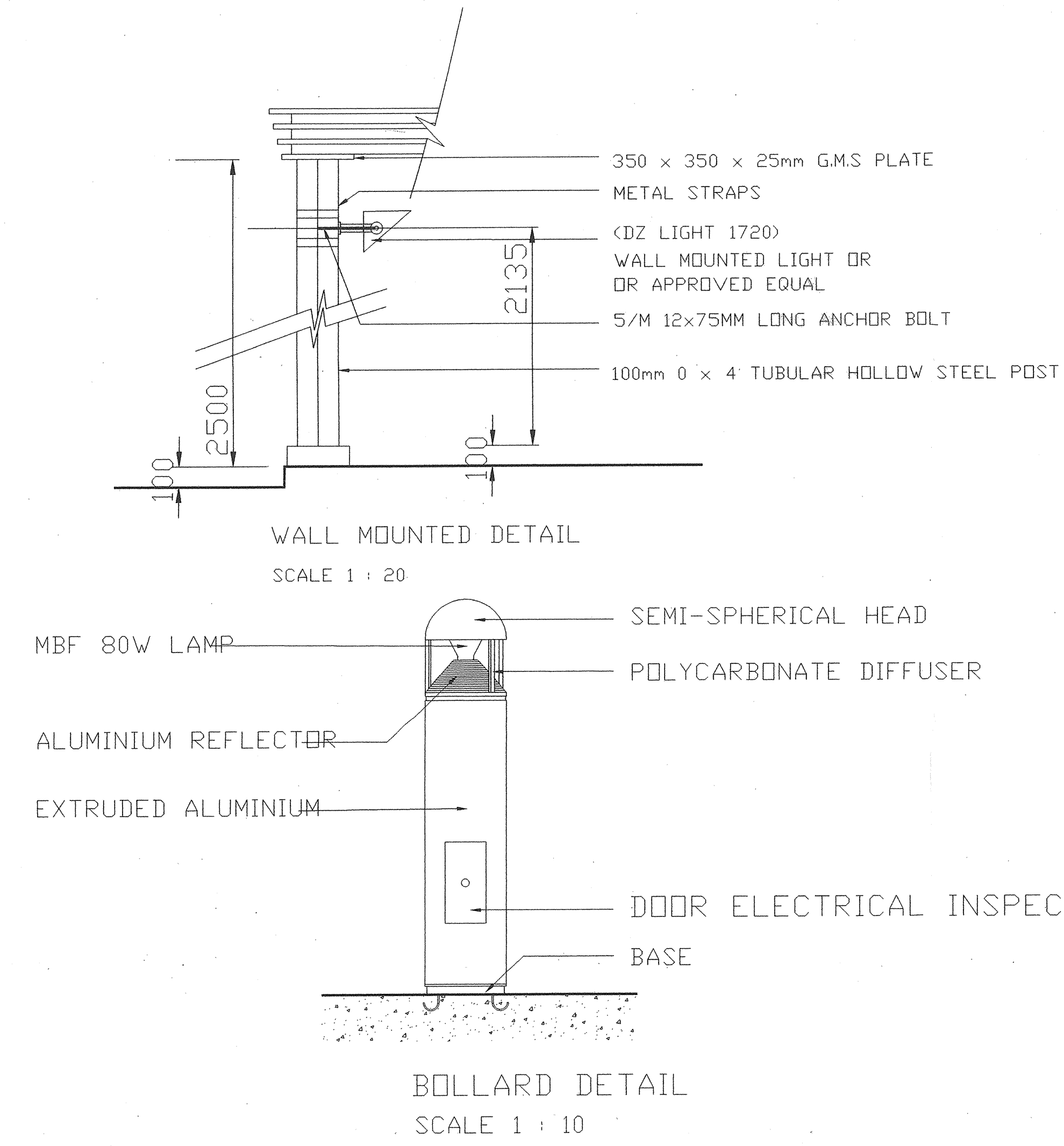


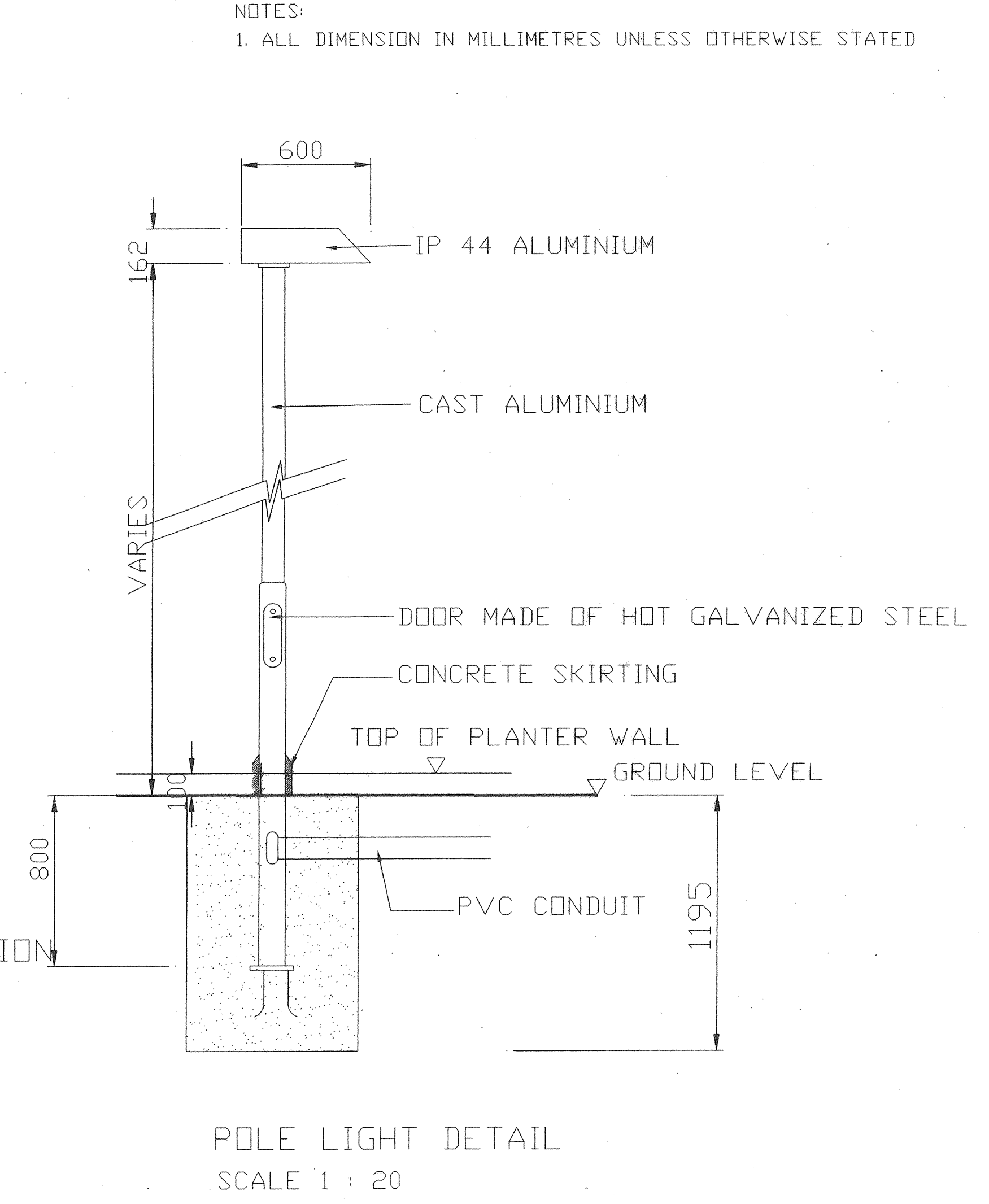
B STEP & FOOTPATH DETAIL



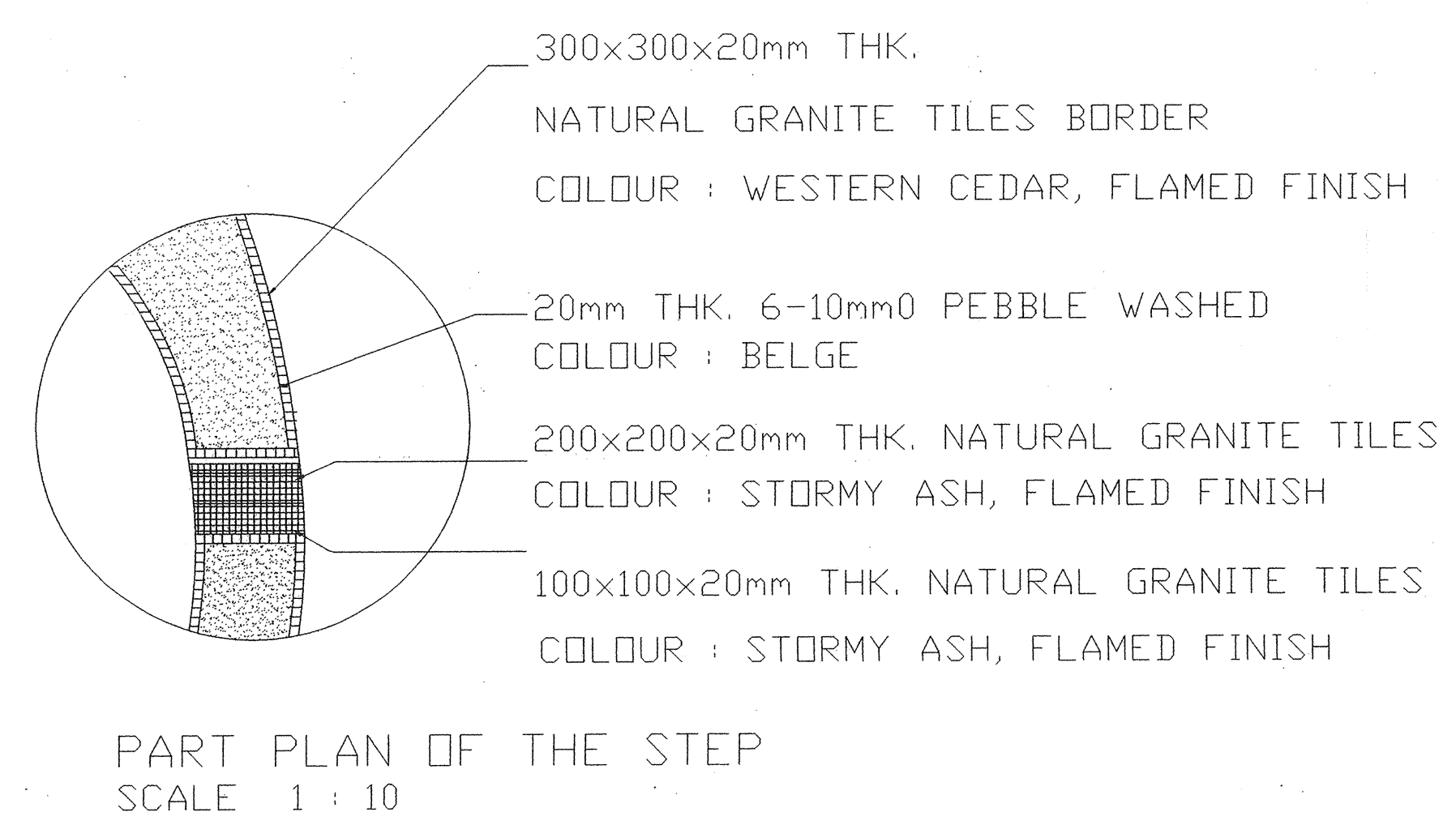
WALL ELEVATION - A



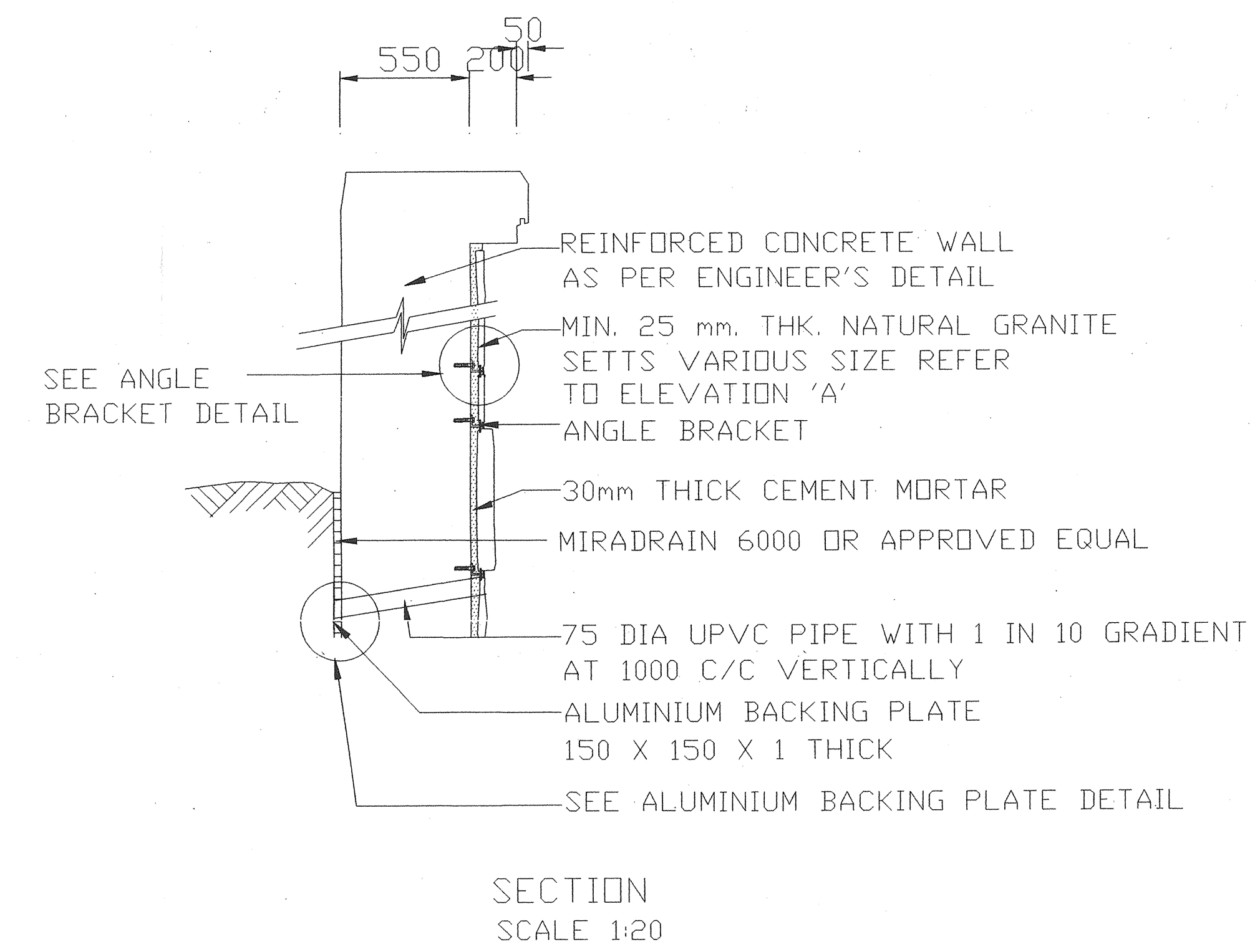
D LIGHT FIXTURE FIXING DETAIL



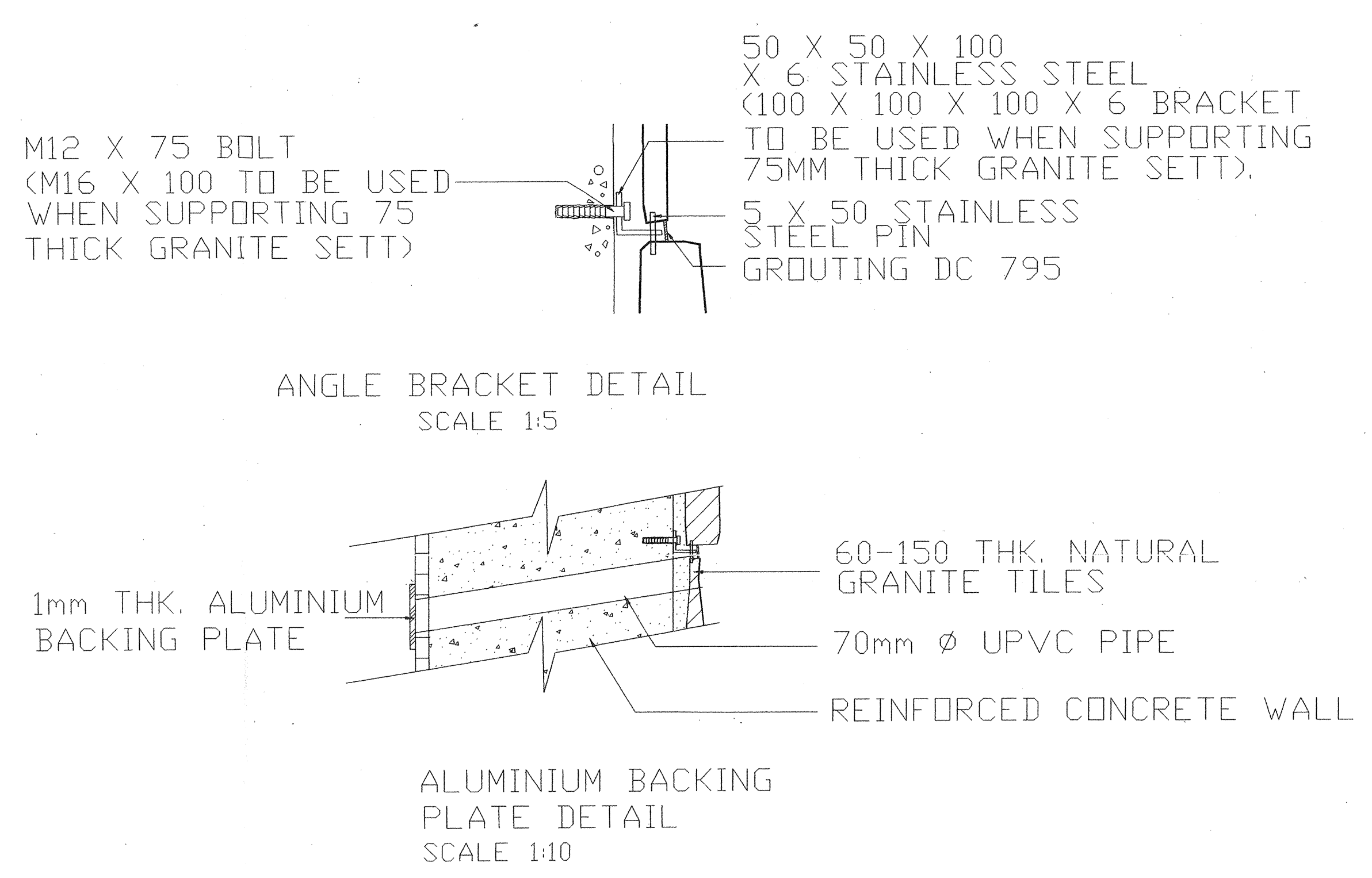
POLE LIGHT DETAIL SCALE 1:20



PART PLAN OF THE STEP SCALE 1:10



SECTION SCALE 1:20



ANGLE BRACKET DETAIL SCALE 1:5

ALUMINIUM BACKING PLATE DETAIL SCALE 1:10

C TREATMENT OF RETAINING WALL (2.0 SQ.M.) ELEVATION OF TYP. UNIT FOR FINISH

NOTES:
1. ALL DIMENSION IN MILLIMETRES UNLESS OTHERWISE STATED

NOTE:
LEFT EDGE OF WALL STRUCTURE. CONTINUE PATTERN TO MEET RIGHT EDGE OF WALL STRUCTURE.

DESIGN- VARIOUS SIZED GRANITE SETTS NATURAL FINISH-OR EQUAL APPROVED TILES TO BE LAID PERPENDICULAR TO COLOUR LEGEND
1. STORMY ASH
2. CARIBE
3. MOCHA

A	GENERAL REVISION	773	RNG	OCT 02
-	FIRST ISSUE	773	PCA R/JG	9.2000
REV	DESCRIPTION	DE	APPROVED	DATE
REVISION	內容摘要	校核	核准人	日期
Territory Development Department 拓展處				
NT EAST DEVELOPMENT OFFICE 新界東拓展處				
SHA TIN NEW TOWN, STAGE II				
ROAD T3 AND ASSOCIATED ROADWORKS				
CHIK WAN STREET REST GARDEN SECTIONS & DETAILS				
MAUNSELL CONSULTANTS' ASIA LTD. 茂盛亞洲工程顧問有限公司				
DRG.NO. 圖紙編號 PR/63494/2105 ^A				
DESIGNED BY 設計	TEAM 73 HK	CONTRACT NO. 合約編號	SI79/02	DATE OF ISSUE 發出日期
DRAWN BY 繪圖	GS	STATUS 階段	Preliminary Drawing	
SCALE 比例	AS SHOWN	DIMENSIONS ARE IN MILLIMETER		
COPYRIGHT RESERVED 版權所有				