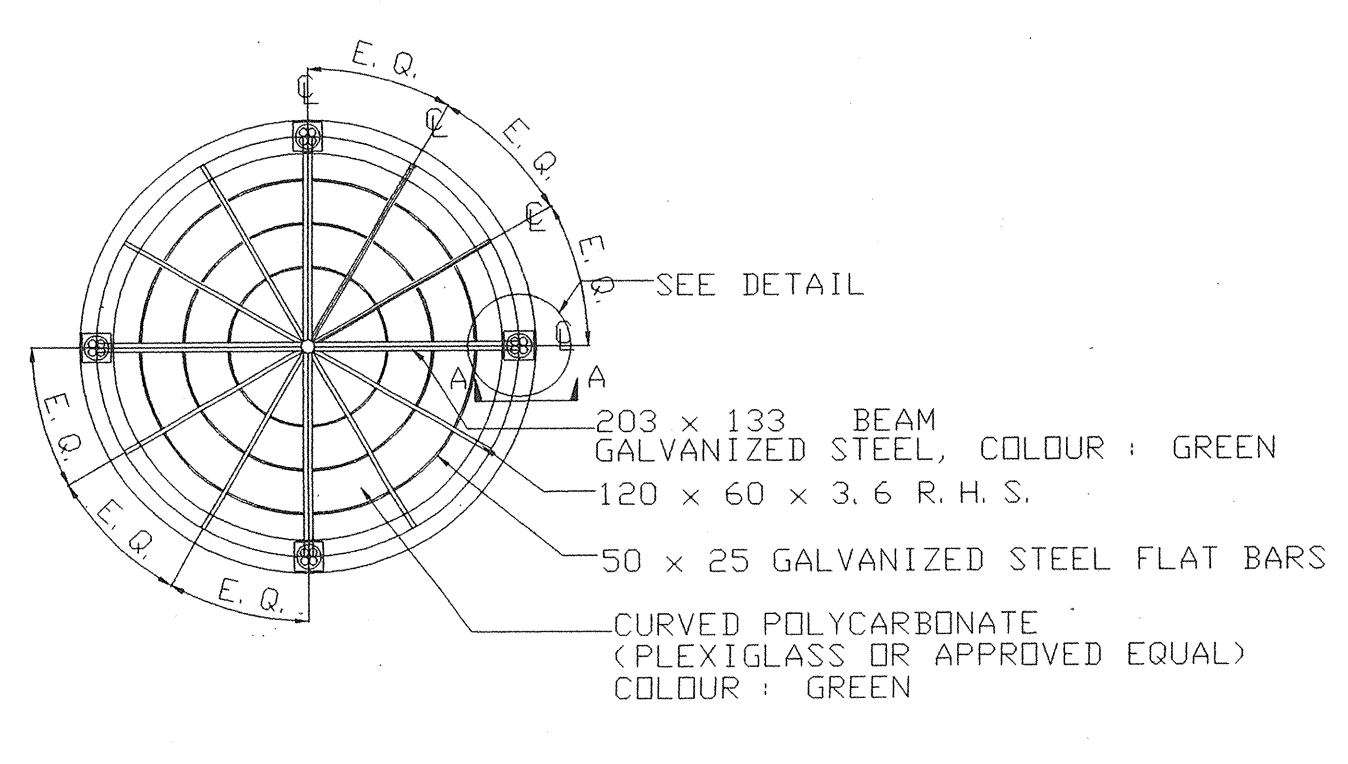
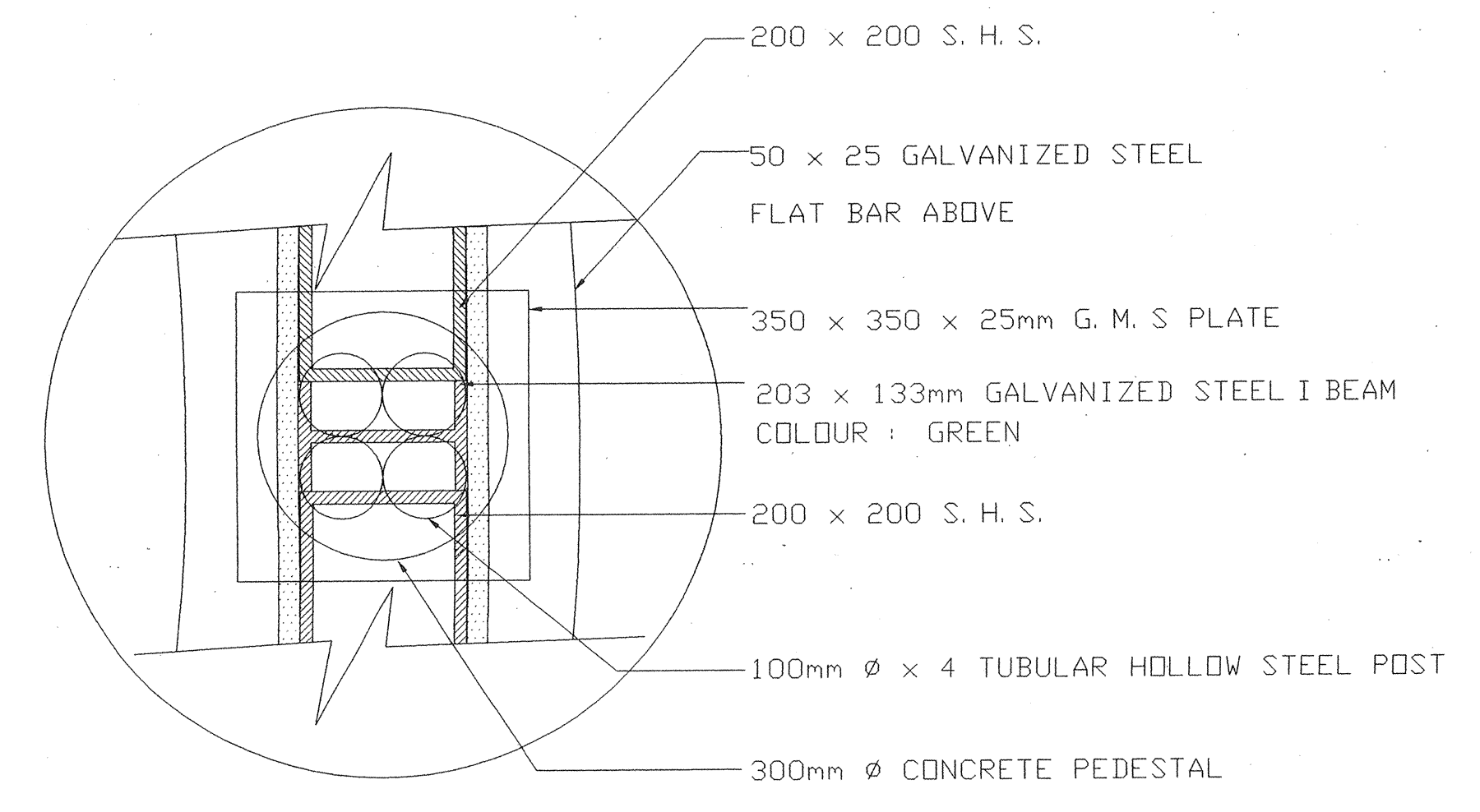


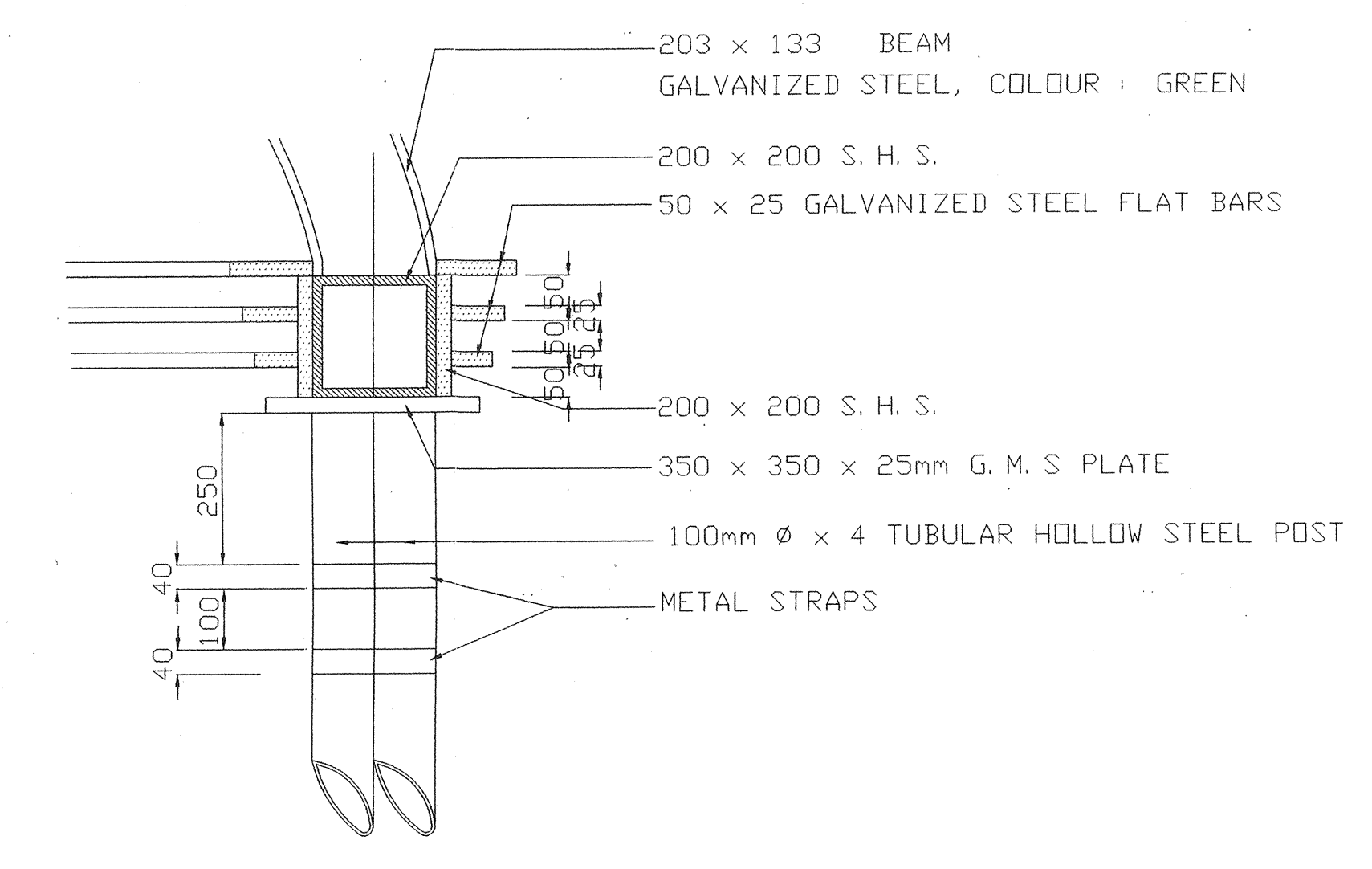
ELEVATION  
SCALE 1 : 50



PLAN  
SCALE 1 : 100

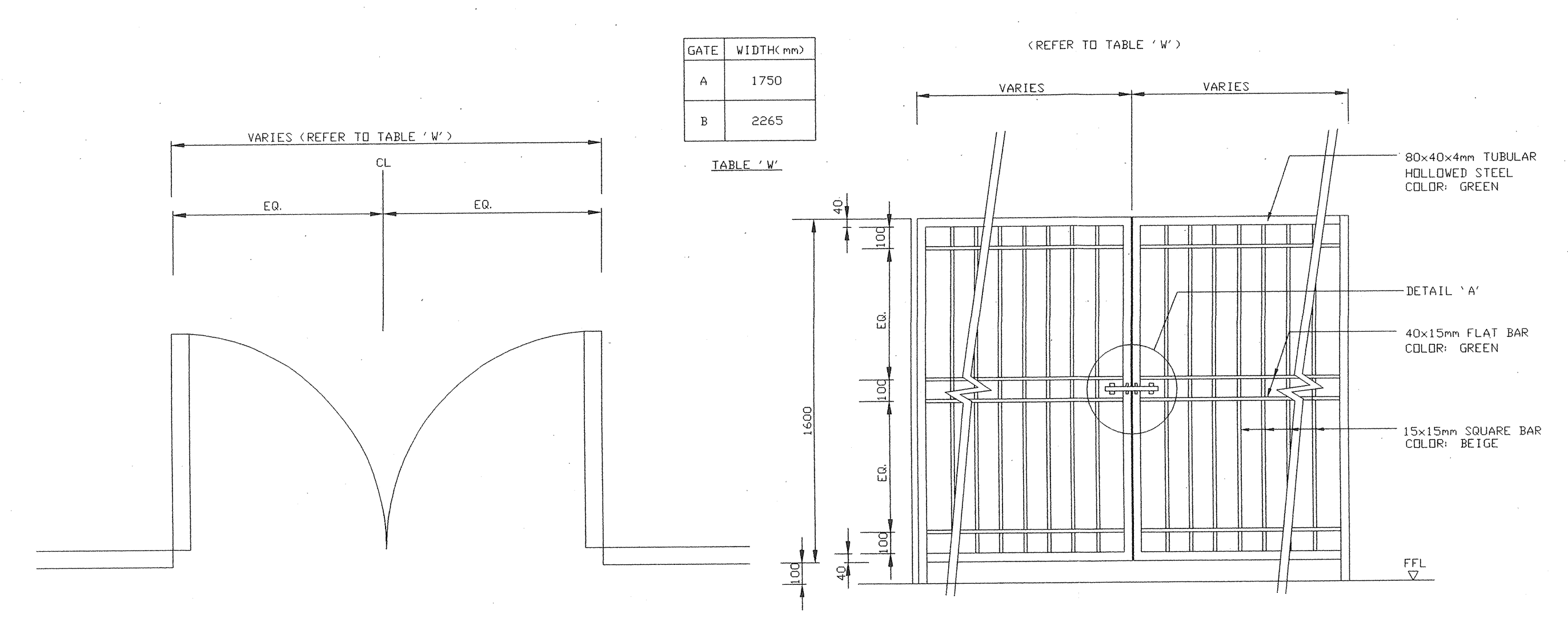


DETAIL PLAN  
SCALE 1 : 5

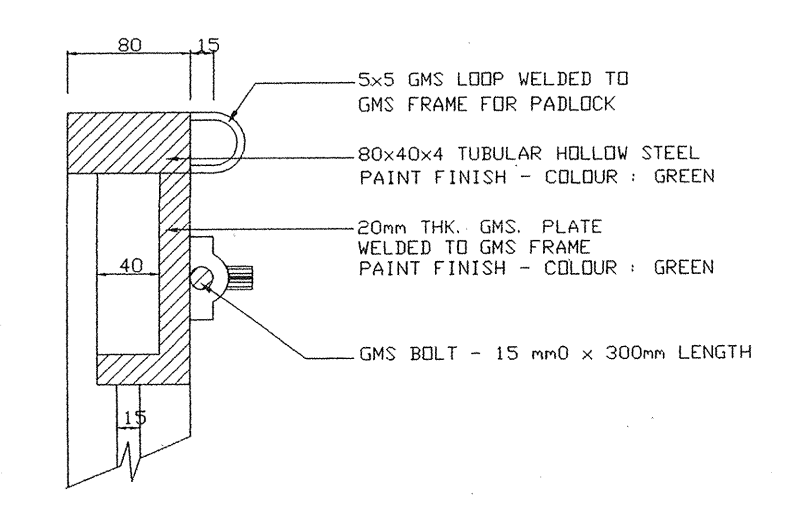


SECTION A-A  
SCALE 1 : 10

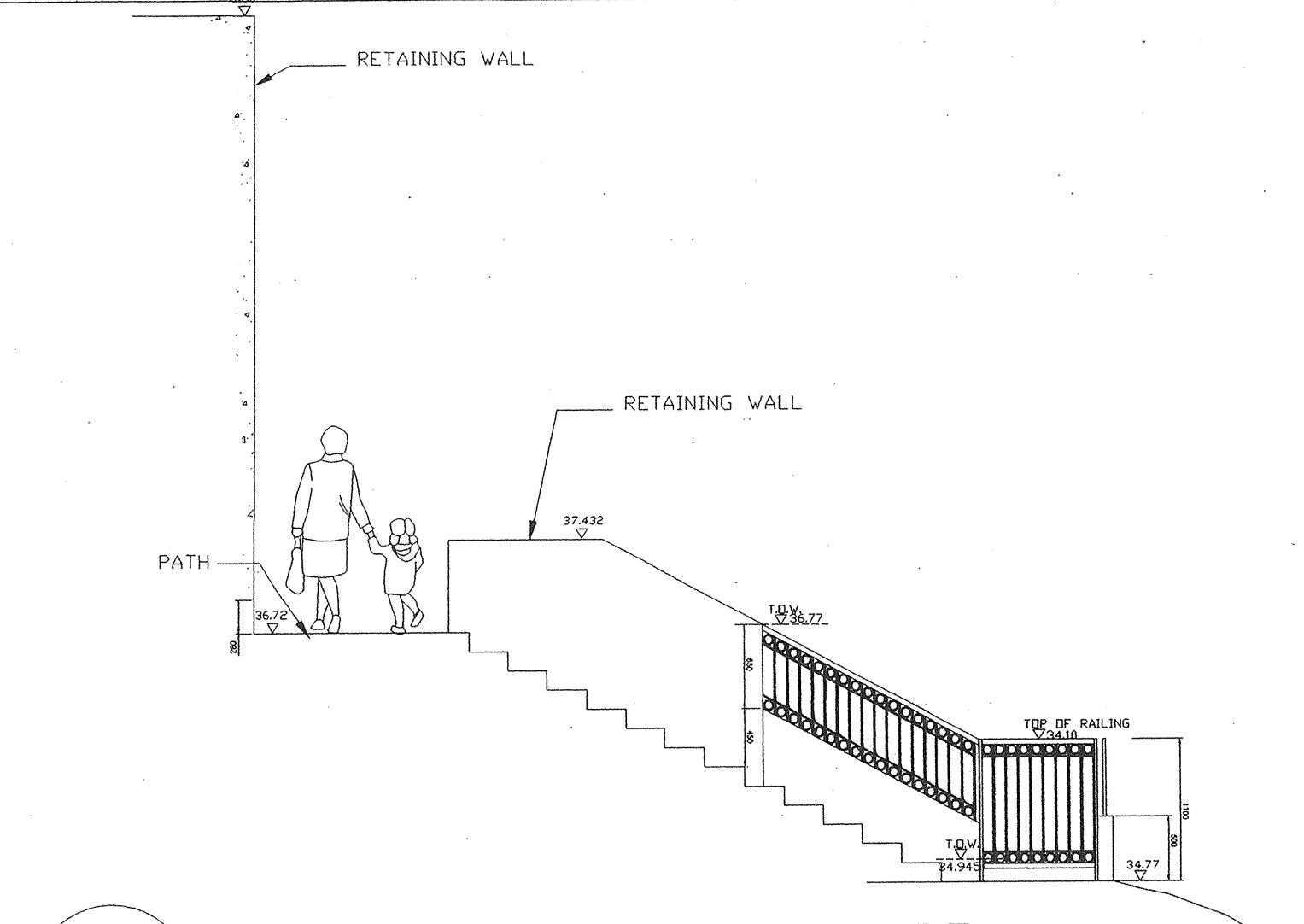
**A** CIRCULAR DOME PAVILLION DETAIL  
AS SHOWN



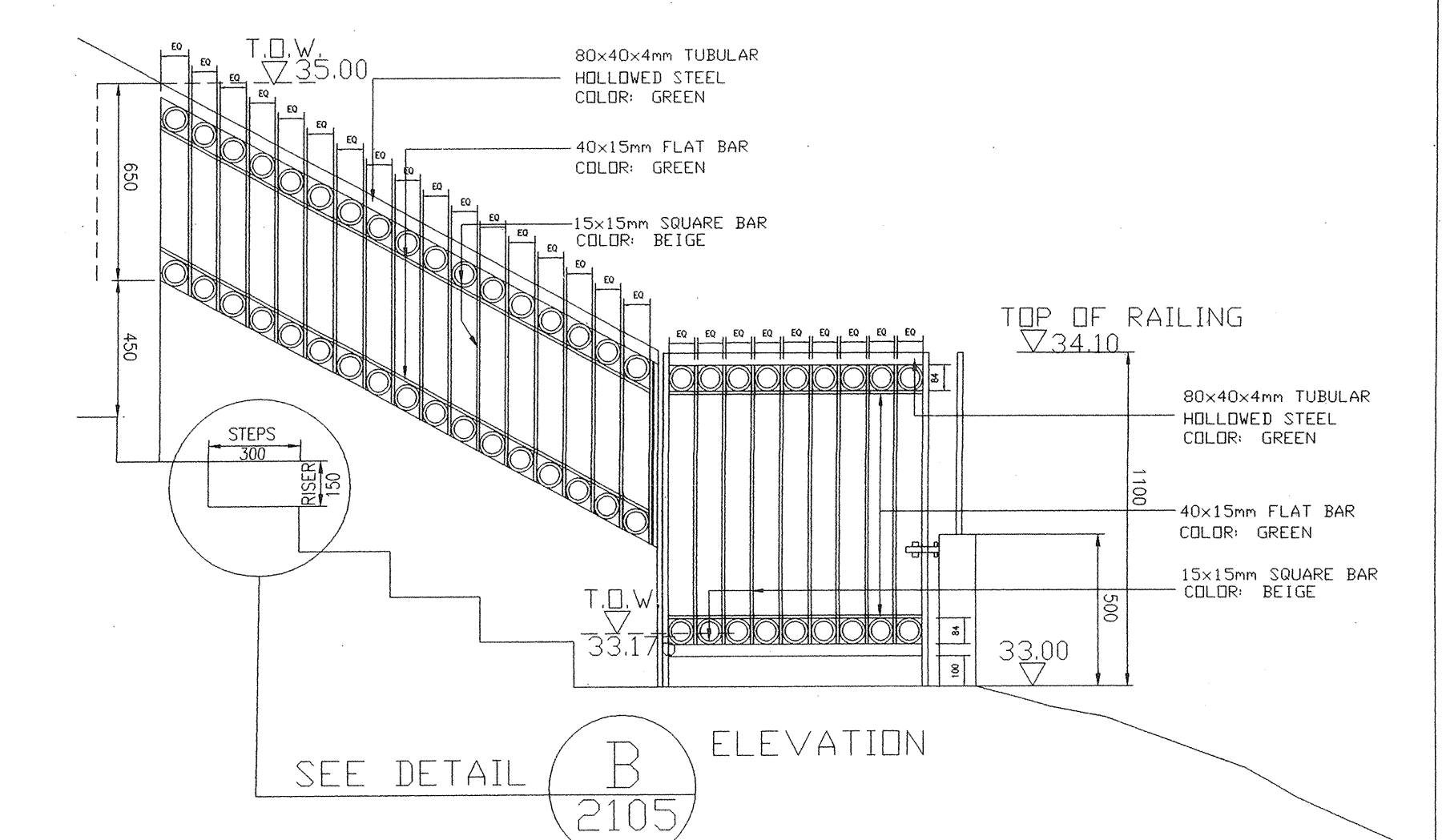
**B** ENTRANCE GATE DETAIL  
SCALE 1 : 10



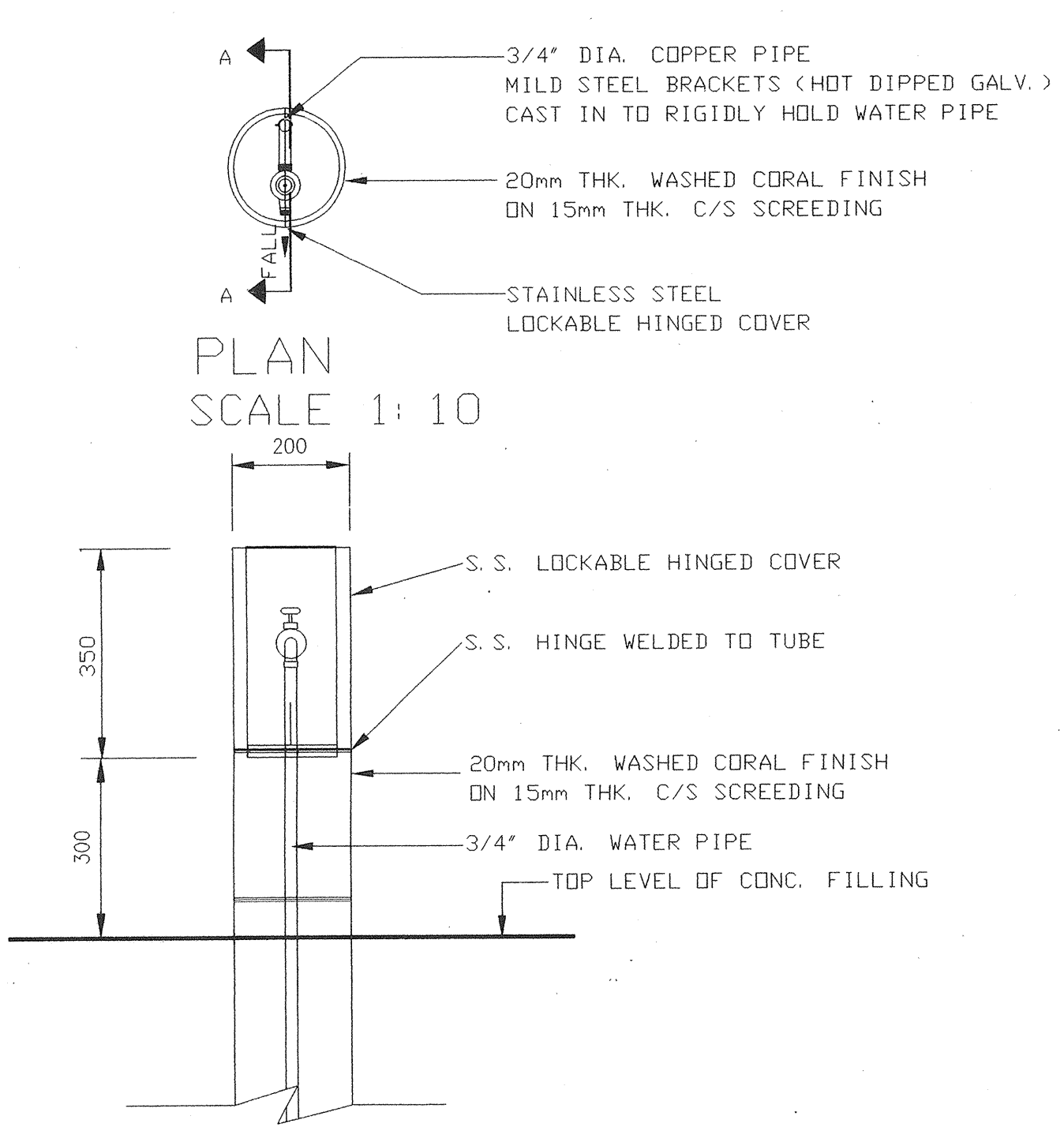
DETAIL - 'A'  
SCALE 1 : 5



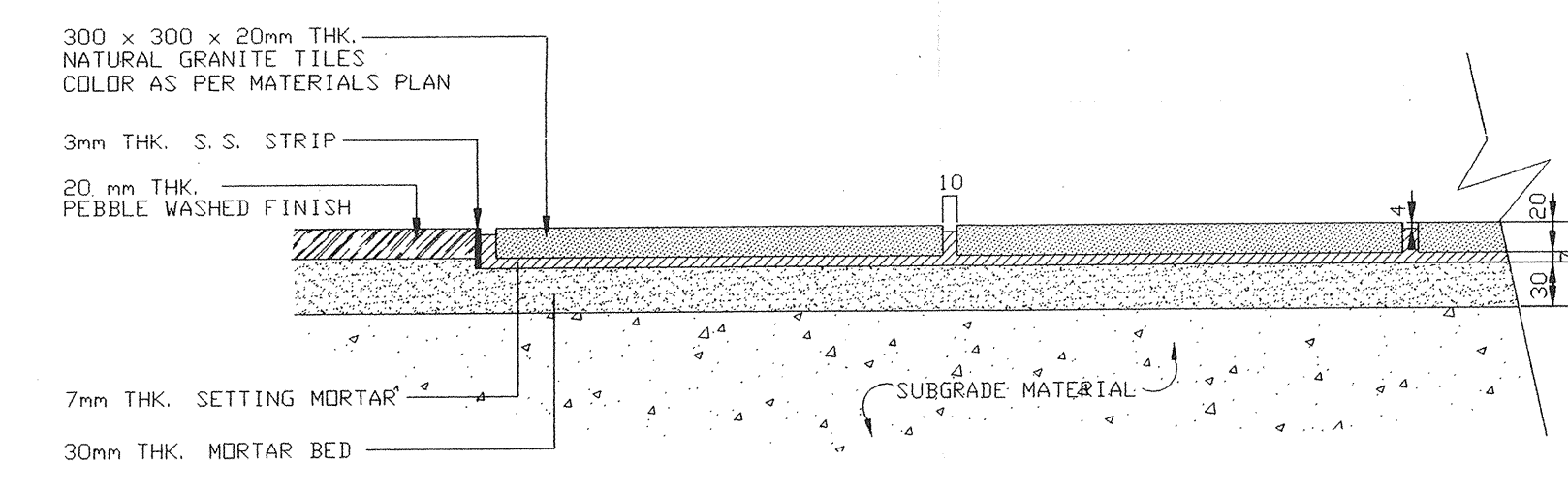
**D** SECTION (A) - STAIR  
SCALE 1 : 50



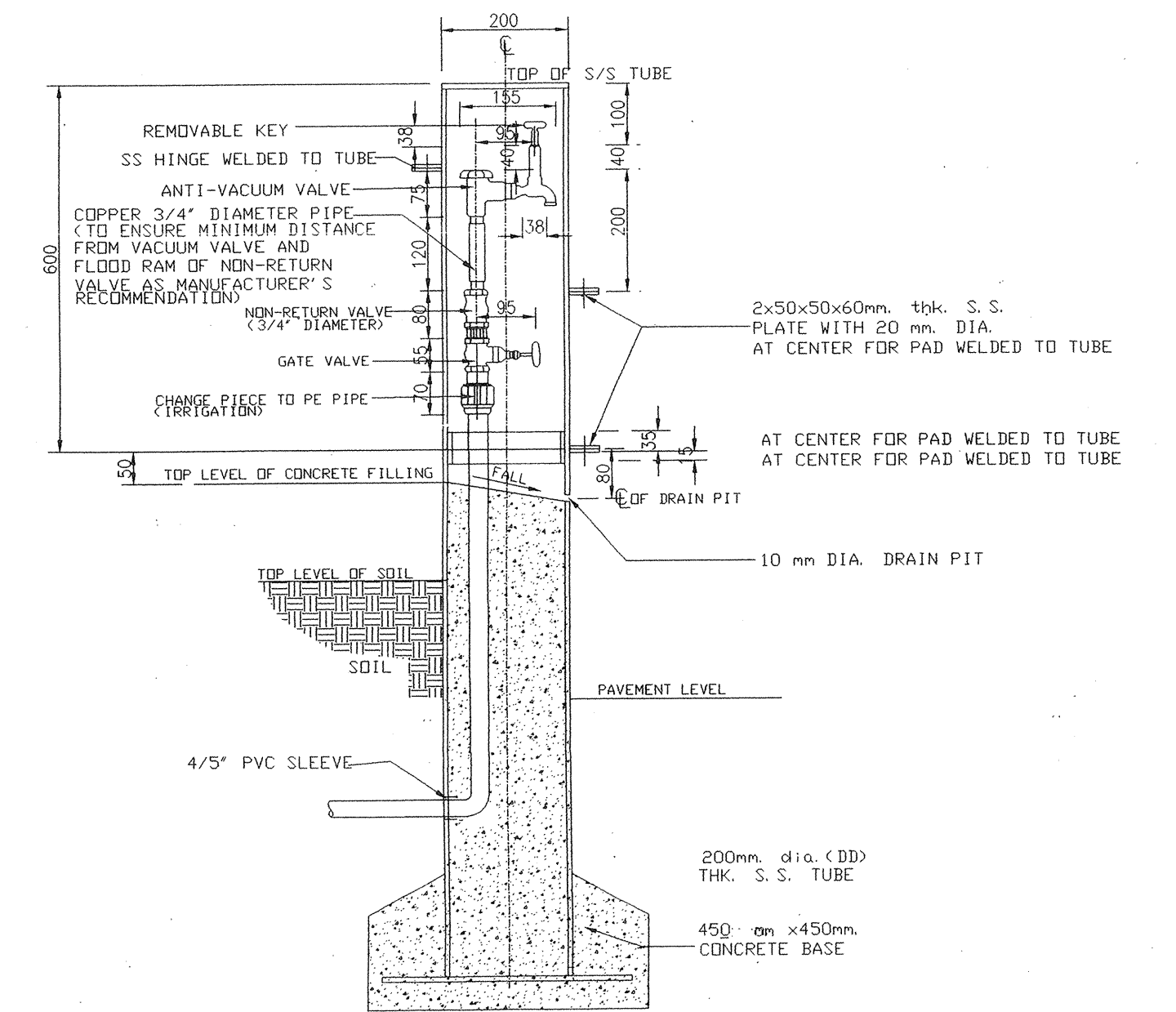
**G** RAILING AND ENTRANCE GATE C DETAIL  
SCALE 1 : 20



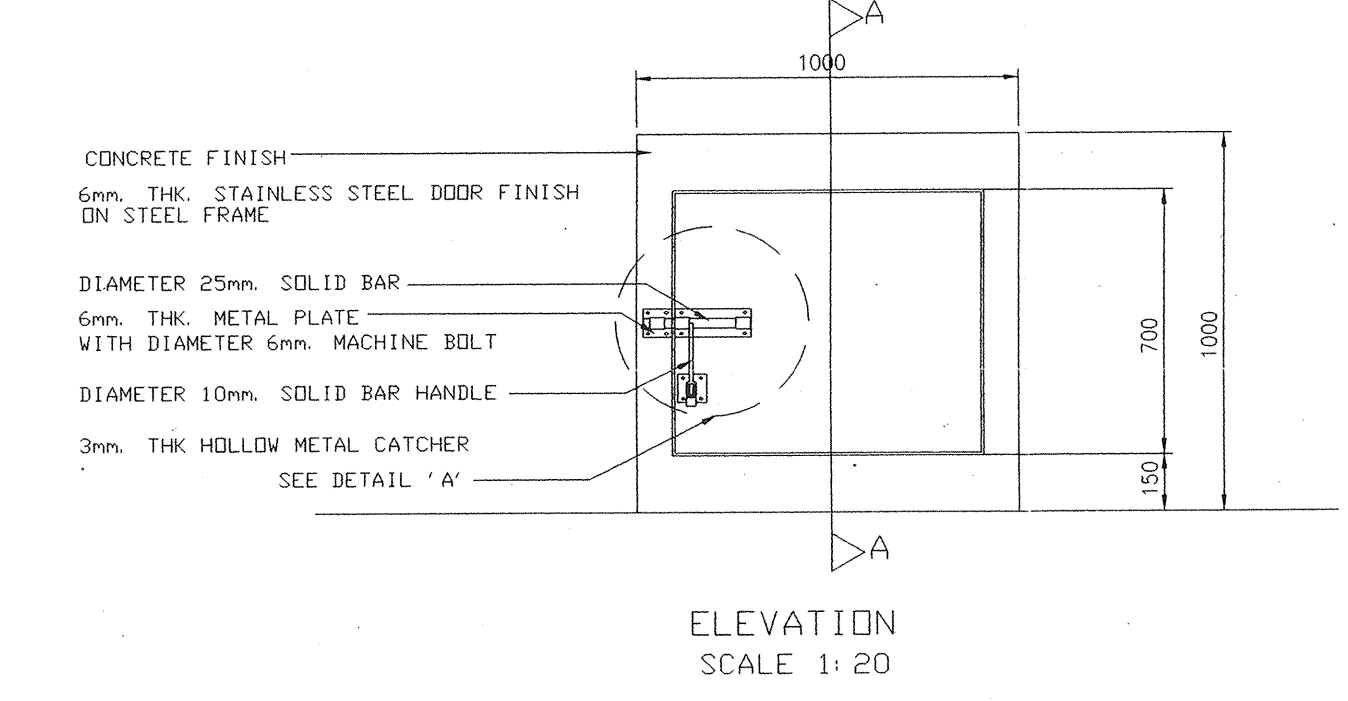
**E** WATER POINT DETAIL  
AS SHOWN



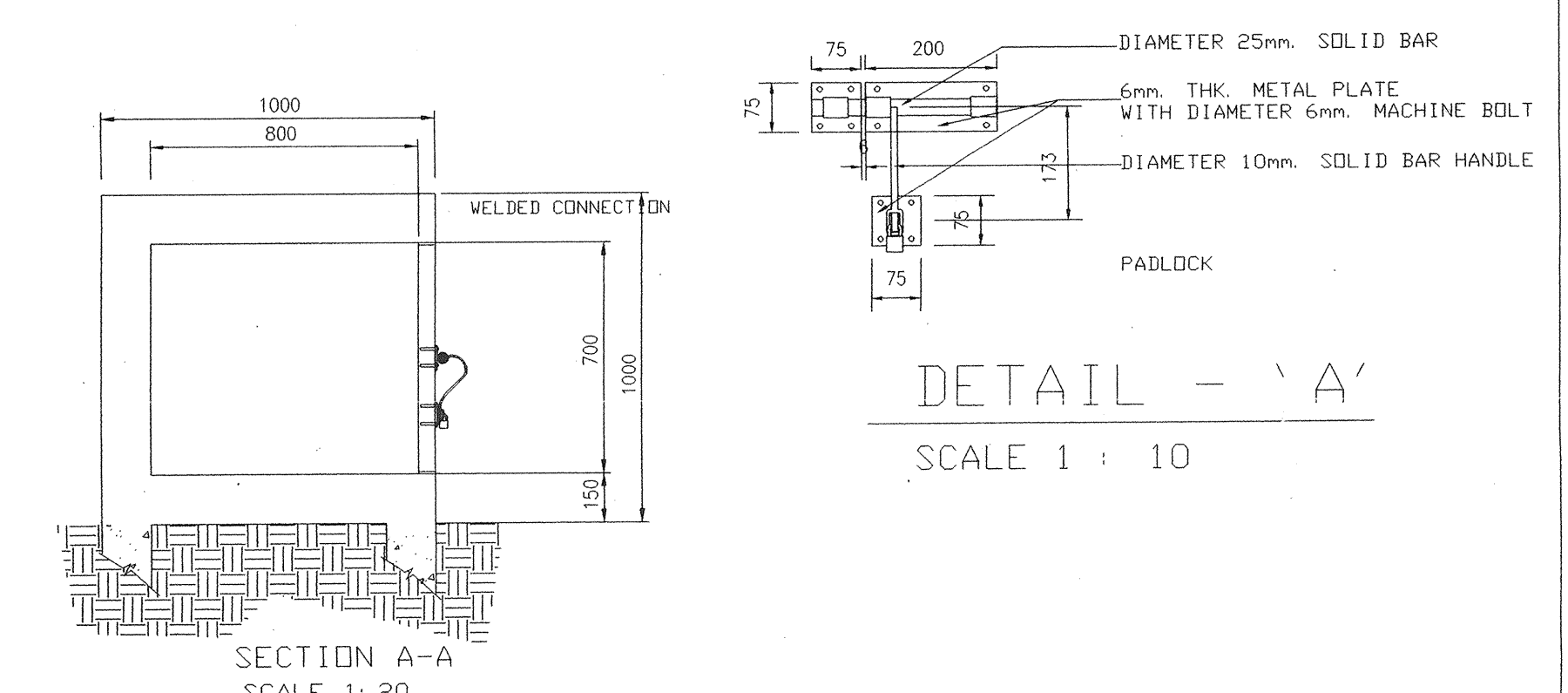
**C** PAVING DETAIL  
SCALE 1 : 5



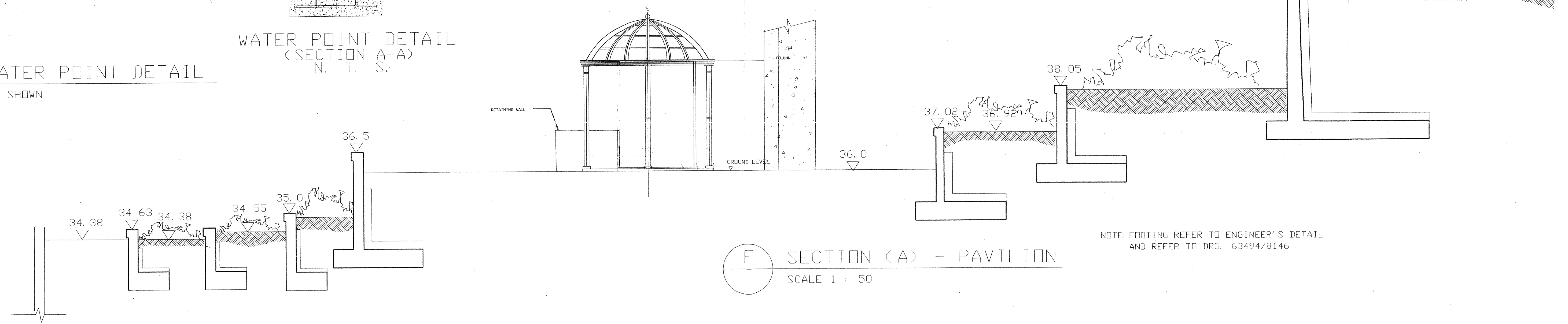
WATER POINT DETAIL  
(SECTION A-A)  
N. T. S.



**H** STORAGE FACILITY DETAIL  
SCALE 1 : 20



DETAIL - 'A'  
SCALE 1 : 10



**F** SECTION (A) - PAVILION  
SCALE 1 : 50

NOTE: FOOTING REFER TO ENGINEER'S DETAIL AND REFER TO DRG. 63494/8146

A	LCSO'S COMMENTS INCORPORATED SECTIONS AND DETAILS REVISED	T73	RNG	OCT 02
-	FIRST ISSUE	T73	PCA	R/G 9.2000
REV	DESCRIPTION	D.E.	P.E.	DATE
8/27	內容修改	修改	批准	日期

Territory Development Department 拓展署  
NT EAST DEVELOPMENT OFFICE  
新界東拓展處  
SHA TIN NEW TOWN, STAGE II  
ROAD T3 AND ASSOCIATED ROADWORKS  
TAI PO ROAD 7 1/2 MILE-STONE  
REST GARDEN  
SECTIONS AND DETAILS

TEAM 73 HK  
LANDSCAPE ARCHITECTS & ENVIRONMENTAL PLANNERS  
地利環境顧問事務所

MAUNSELL CONSULTANTS ASIA LTD.  
茂盛亞洲工程顧問有限公司

DRG. NO. 圖紙編號	PR/63494/2204 <sup>A</sup>
DESIGNED BY 設計	TEAM 73 HK
DRAWN BY 繪圖	CS
SCALE 比例	AS SHOWN
DIMENSIONS ARE IN 尺寸單位	MILLIMETER

Preliminary Drawing  
© COPYRIGHT RESERVED  
版權所有

**Maunsell**