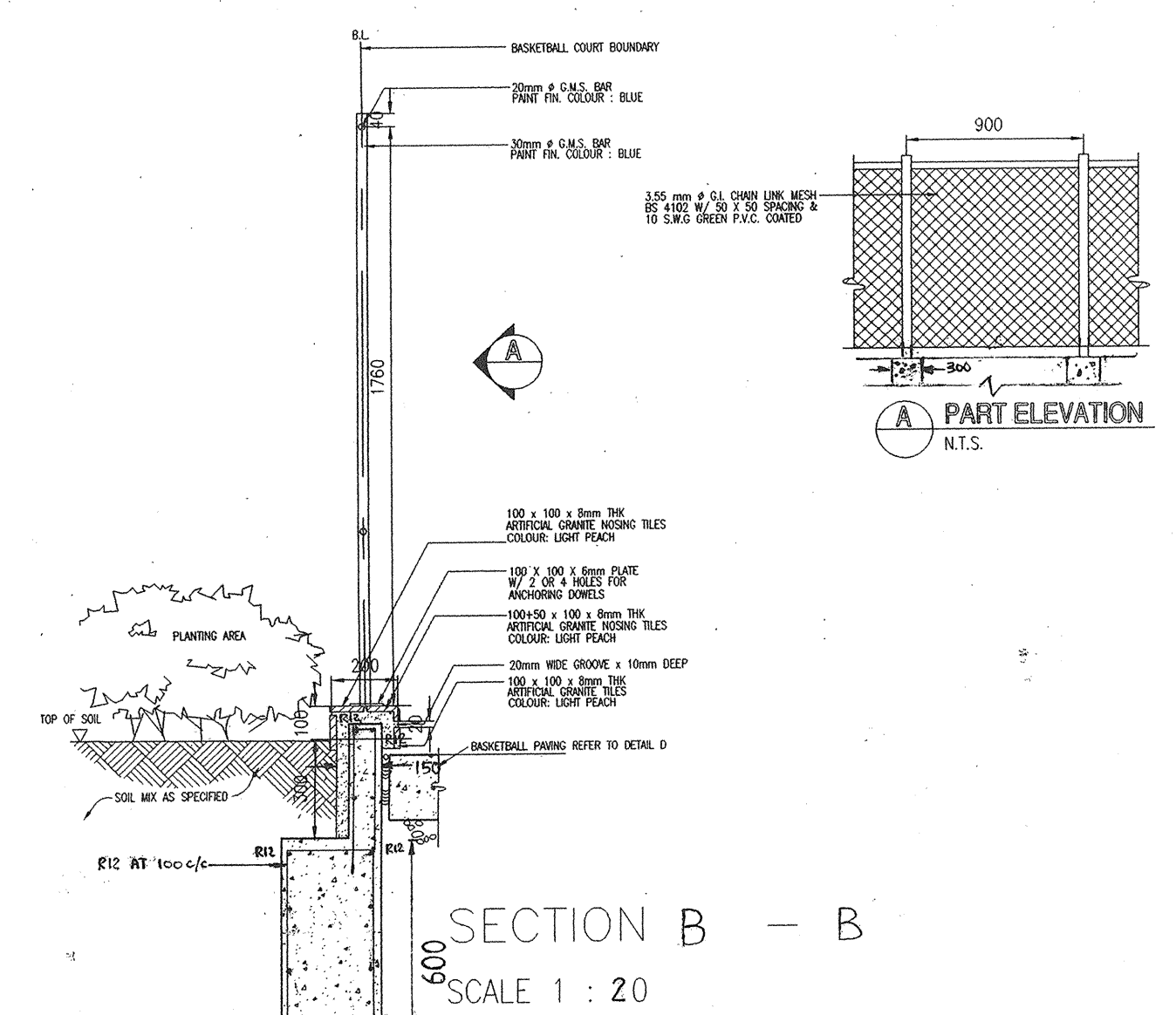
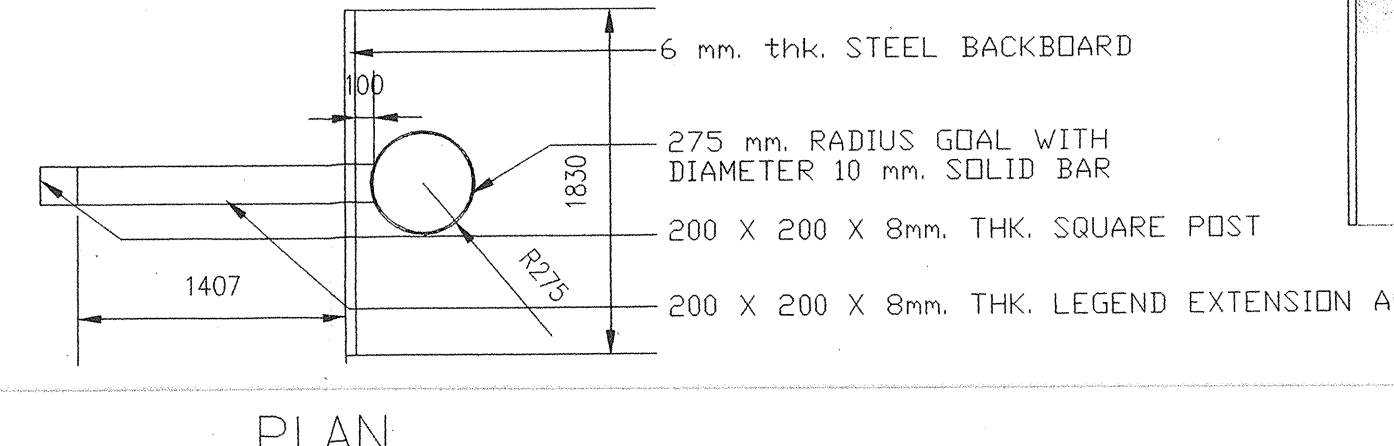


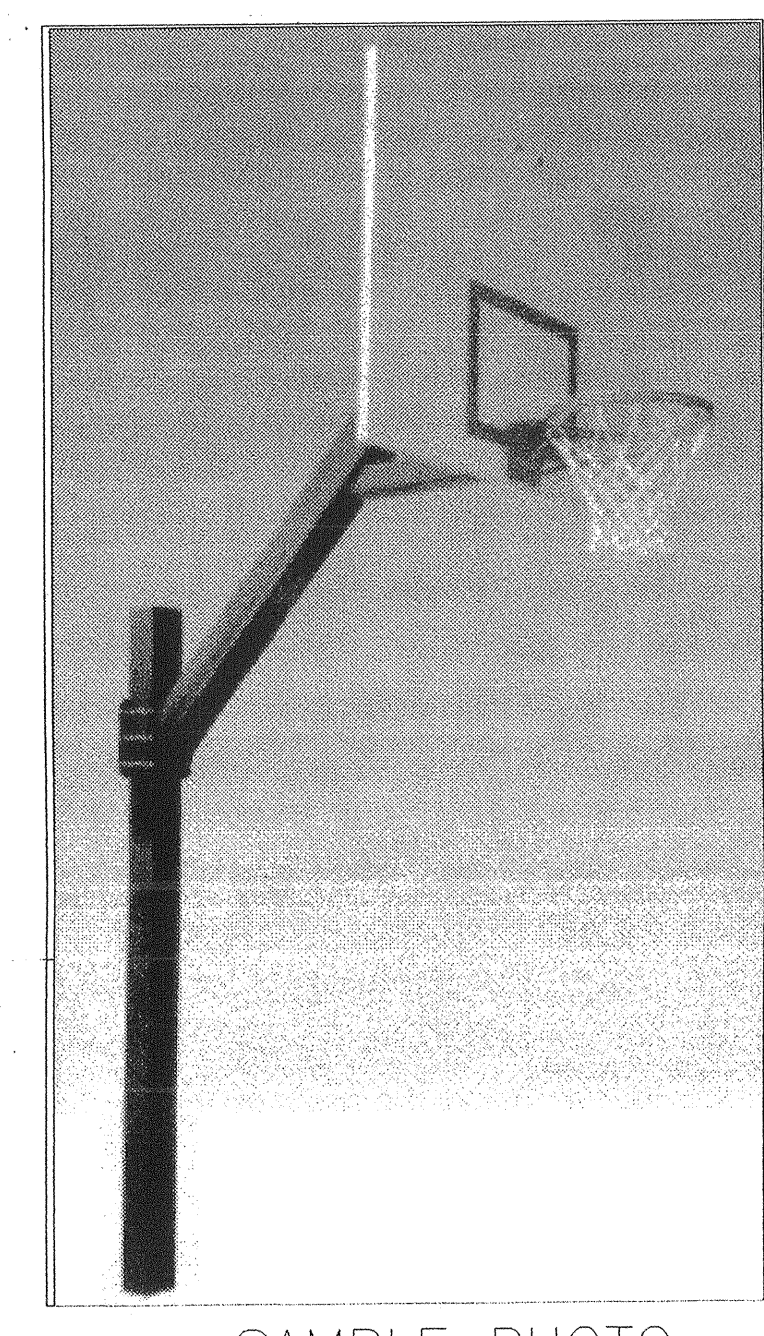
KEY-PLAN  
SCALE 1:250



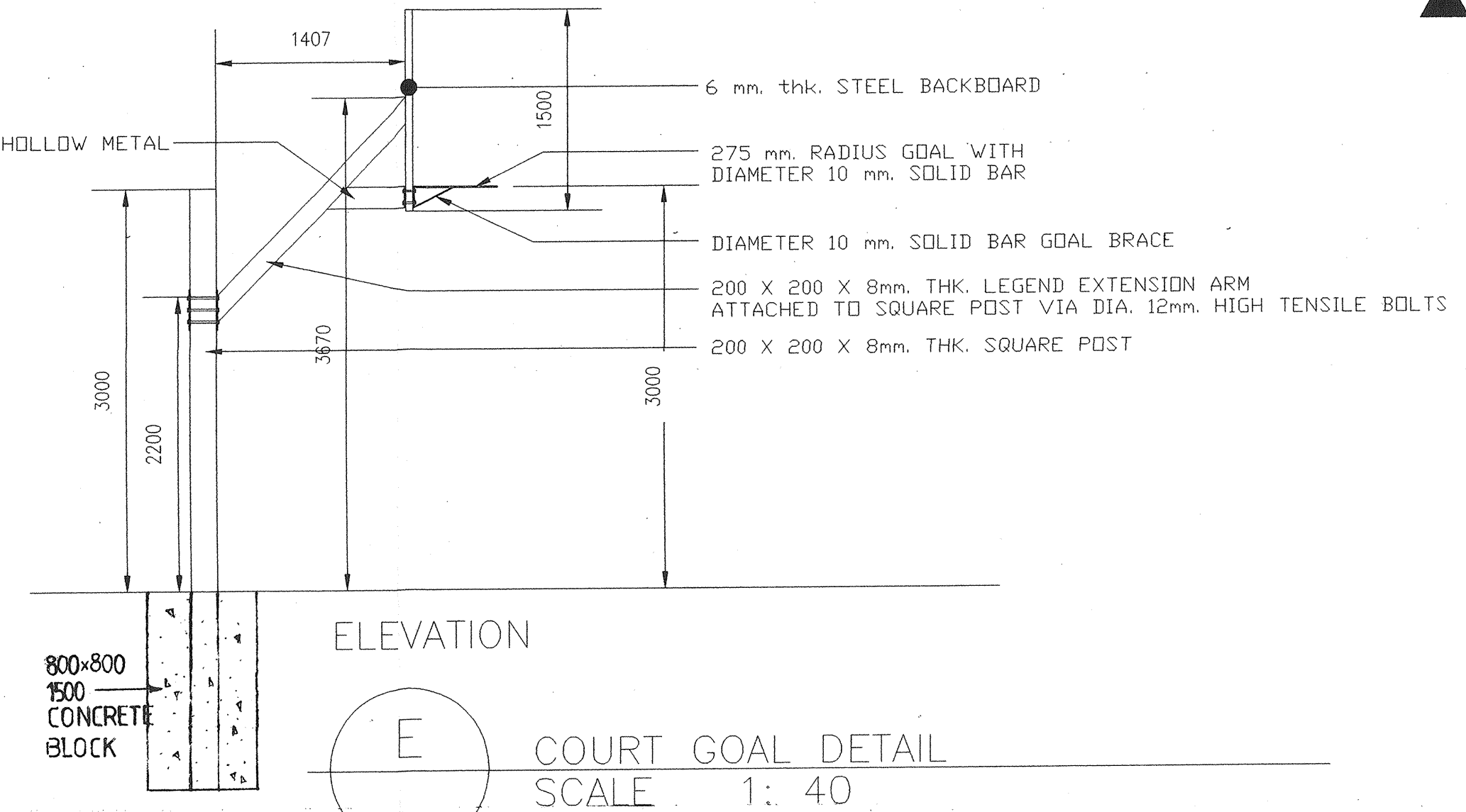
SECTION B - B  
SCALE 1:20  
BASKETBALL COURT PERIMETER FENCE



PLAN

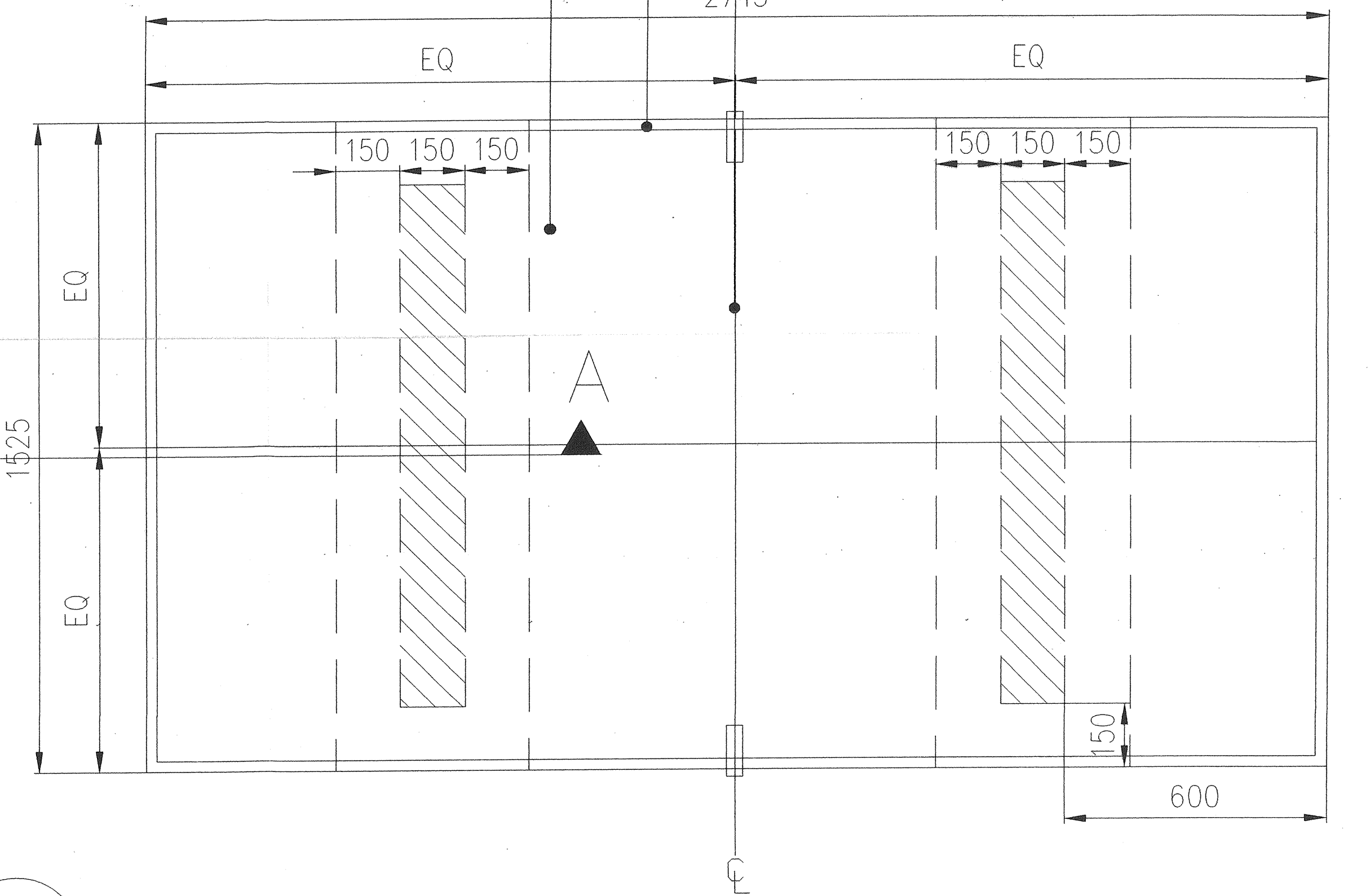


SAMPLE PHOTO



ELEVATION

E COURT GOAL DETAIL  
SCALE 1:40

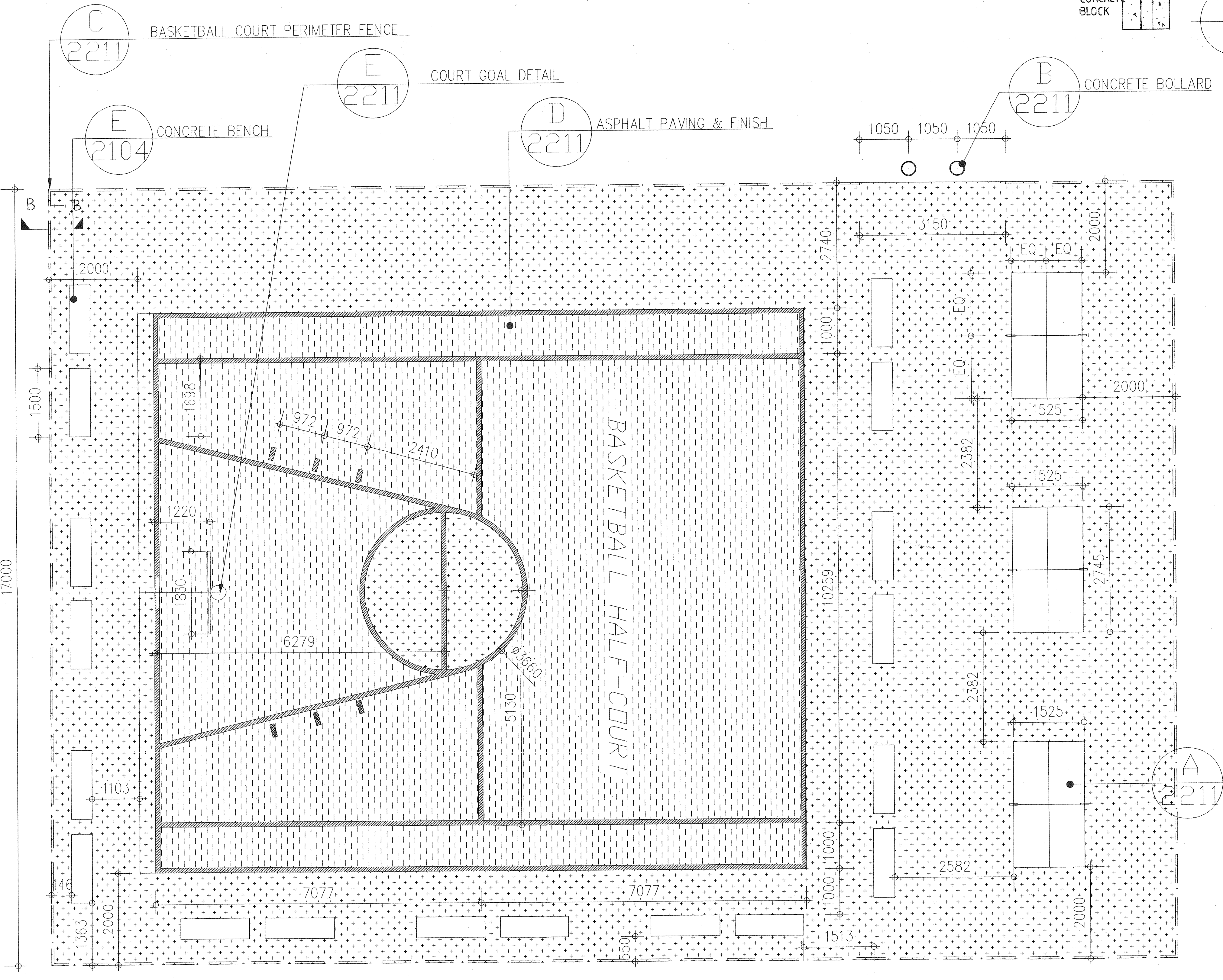


A

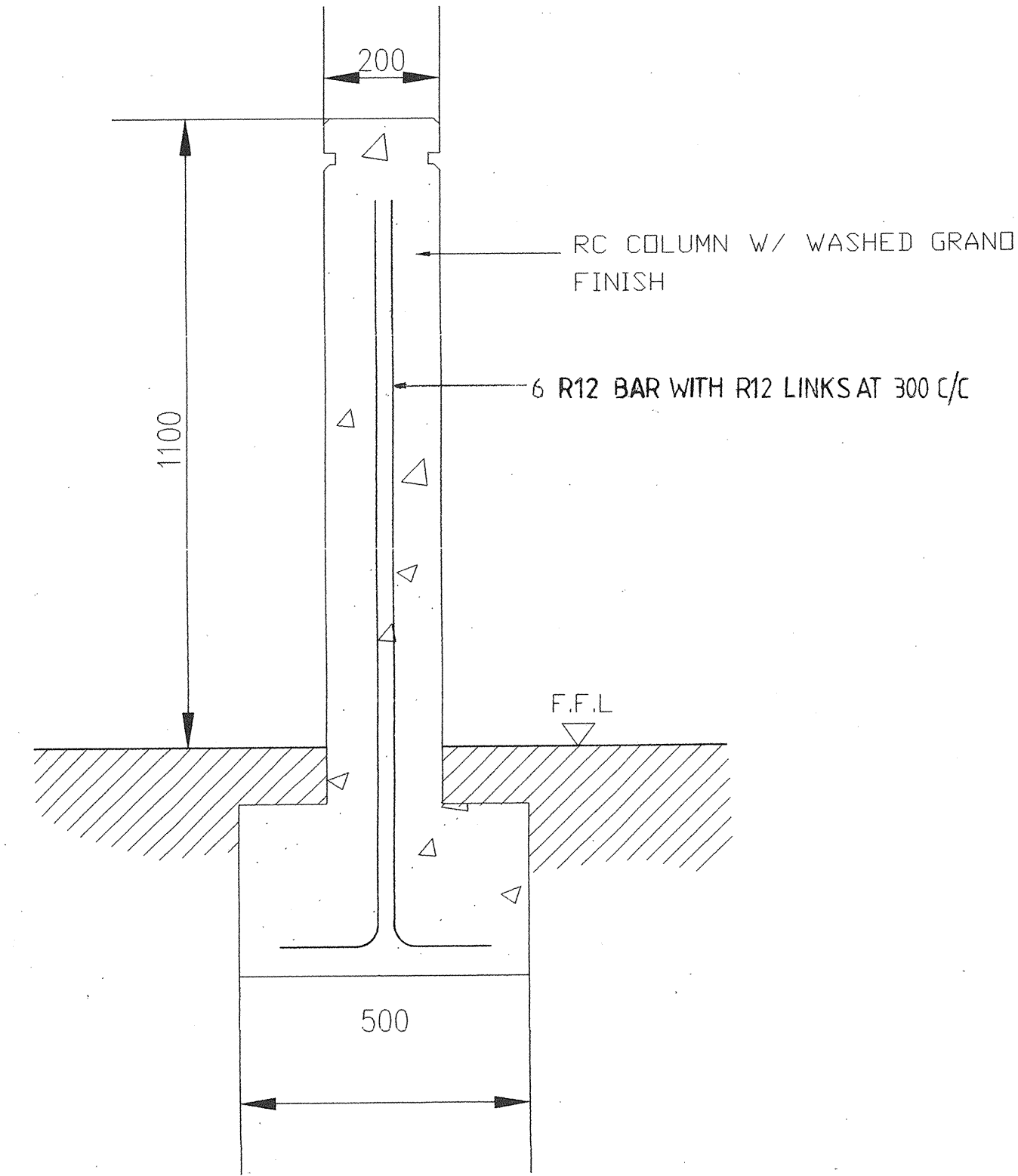
TABLE TENNIS PLAN  
SCALE 1:10

- LEGEND:
- MINERAL COATING OR APPROVED EQUAL COLOR: DARK RED
  - MINERAL COATING OR APPROVED EQUAL COLOR: WHITE
  - MINERAL COATING OR APPROVED EQUAL COLOR: DARK GREEN
  - BENCH  
DETAIL REFER TO 63494/2104
  - BRIDGE COLUMN
  - PA PLANTING AREA

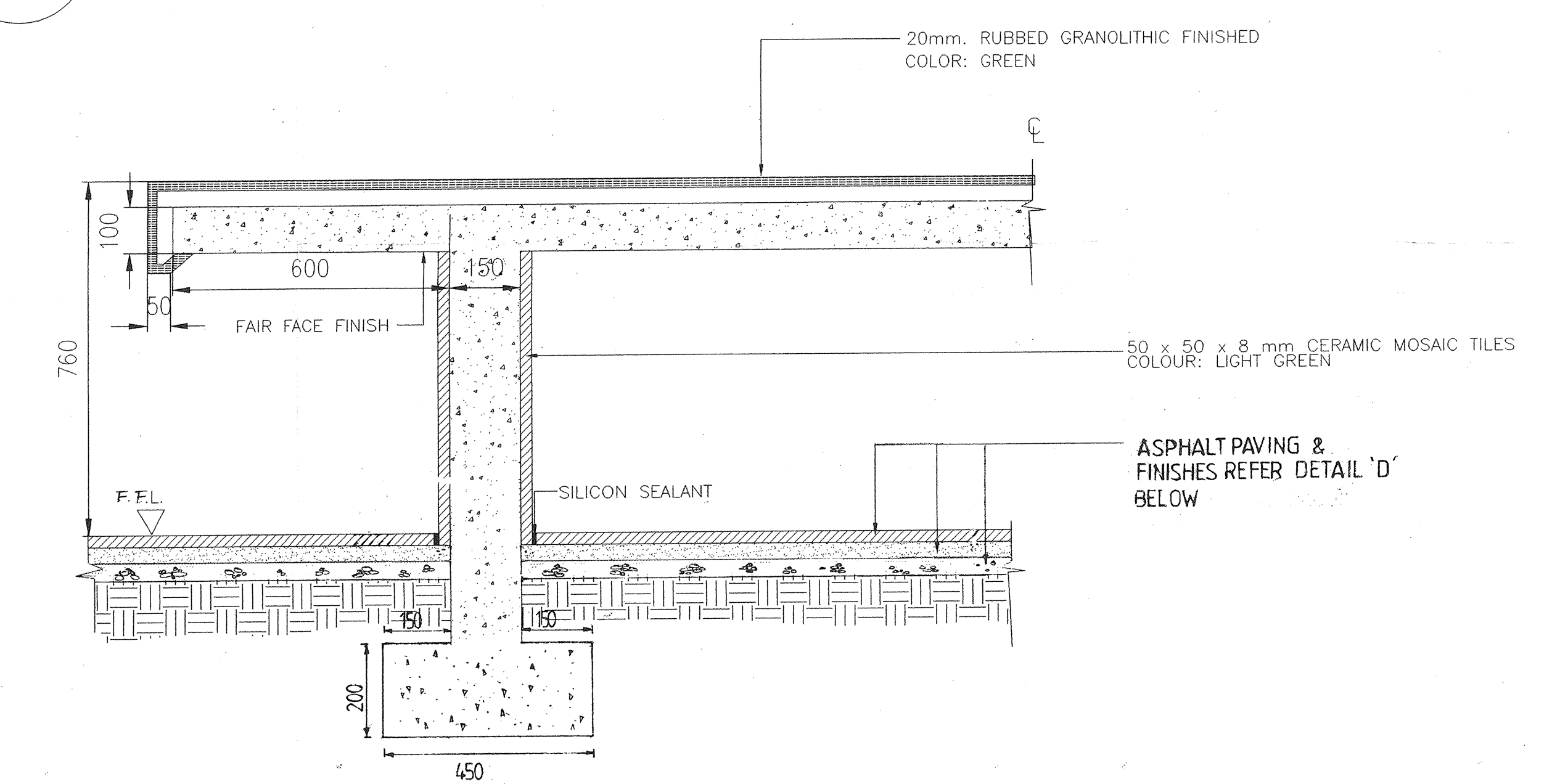
SPECIFICATIONS "MINERACOLOR"	
MINERAL BASED FINISH	
A. SPORTS SURFACING	BRAND NAME: "MINERACOLOR" MINERAL BASED FINISH
	COUNTRY OF ORIGIN: JAPAN
	SOLE AGENT: KENKI ARCHITECTURAL PRODUCTS LTD.
	TEL. NO. 2541 5311
	TYPE: MEDIUM DUTY TYPE
	COLOR: STANDARD COLORS ONLY
	COMPOSITION: 1 PRIME COAT
	2 UNDER COATS
	1 TOP COATS
B. LINE MARKING	BRAND NAME: "MINERACOLOR" MINERAL BASED FINISH
	COUNTRY OF ORIGIN: JAPAN
	SOLE AGENT: KENKI ARCHITECTURAL PRODUCTS LTD.
	TEL. NO. 2541 5311
	COLOR: WHITE
	COMPOSITION: 2 COATS



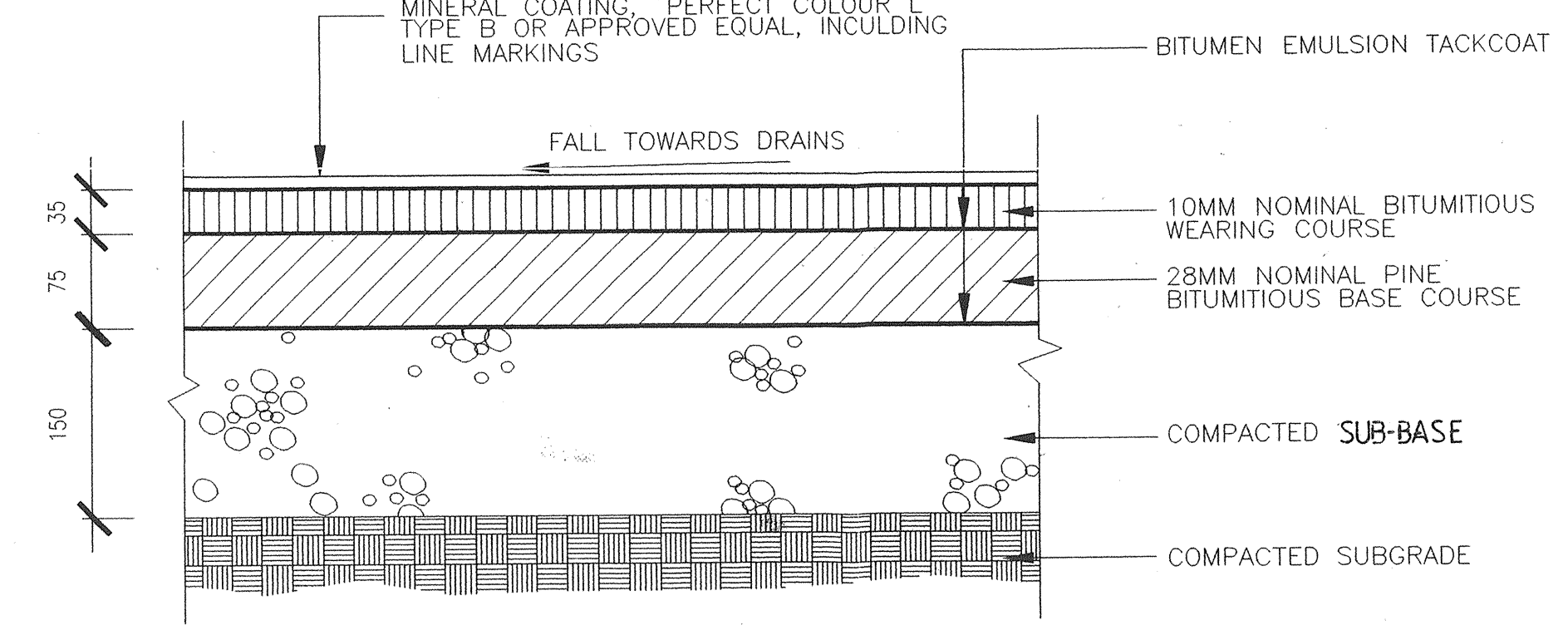
SETTING-OUT/ MATERIAL PLAN  
SCALE 1:50



B CONCRETE BOLLARD DETAIL  
SCALE 1:10



SECTION A-A  
SCALE 1:10



D ASPHALT PAVING & FINISH  
SCALE 1:5

- NOTES
1. EXISTING SPOT LIGHT (2 NOS) EAST OF EXISTING BASKETBALL COURT TO BE MAINTAINED.
  2. EXISTING SPOT LIGHT (2 NOS) WEST OF EXISTING BASKETBALL COURT TO BE RELOCATED WESTWARD FROM THEIR ORIGINAL LOCATIONS TO THE WEST OF THE WESTERN SIDE OF PERIMETER FENCE.
  3. EXACT LOCATION OF THE RELOCATED SPOT LIGHT TO BE DETERMINED ON SITE BY THE ENGINEER.

REV.	DESCRIPTION	DATE	BY	CHECKED	APPROVED	DATE
A	LCSD'S COMMENTS INCORPORATED AND OTHER MINOR AMENDMENTS	17/3	RNG			OCT 02
-	FIRST ISSUE	7/3	RNG	RJG		AUG 02

Territory Development Department 拓展署  
NT EAST DEVELOPMENT OFFICE  
新界東拓展處

SHA TIN NEW TOWN, STAGE II

ROAD T3 AND ASSOCIATED ROADWORKS  
1/2 BASKETBALL COURT

TEAM 73 HK  
LANDSCAPE ARCHITECTS &  
ENVIRONMENTAL PLANNERS  
地景環境顧問事務所

MAUNSELL CONSULTANTS ASIA LTD.  
茂盛亞洲工程顧問有限公司

DRG. NO. PR63494/2211<sup>A</sup>  
圖紙編號

DESIGNED BY: TEAM 73 HK  
DRAWN BY: [Name]  
SCALE: AS SHOWN  
DIMENSIONS ARE IN MILLIMETER

CONTRACT NO. ST79/02  
STATUS: Preliminary Drawing  
DATE OF ISSUE: [Date]

© COPYRIGHT RESERVED  
版權所有

**Maunsell**