

1 LAYOUT PLAN  
WONG SHEK PUBLIC PIER  
1:100

- NOTES:**
- ALL DIMENSIONS ARE IN MILLIMETRES AND TO BE VERIFIED AND CHECKED ON SITE. USE FIGURED DIMENSIONS ONLY. DO NOT SCALE THIS DRAWING.
  - ALL LEVELS OF ROOF SHOWN ARE FINISHED LEVEL AND ARE INDICATED AS THE LEVEL IN METRES ABOVE THE STRUCTURAL DECK LEVEL.
- LEGEND:**
- BOLLARD
  - NAVIGATION LIGHT (L4)
  - SITTING BENCH WITH L5 UNDERNEATH
  - RAILING
  - FINISHED LEVEL IN METRES ABOVE STRUCTURAL DECK LEVEL. (SEE NOTES 2.)

no.	date	description	checked	approved
<b>REVISION</b>				
designed		D HSIUNG	SIGNED	18.8.2004
drawn		T WU	SIGNED	18.8.2004
traced		T WU	SIGNED	18.8.2004
checked		D HSIUNG	SIGNED	18.8.2004

approved

SIGNED  
(N P TONG)  
Chief Engineer  
date: 18.8.2004

contract no. CV/2004/02  
file no. PW WP/WSP0/01  
project no. 5048 TF

architectural consultant  
Ivanho Architect Limited.  
何文堯建築師有限公司

contract

**RECONSTRUCTION OF WONG SHEK AND KO LAU WAN PUBLIC PIERS**

drawing title

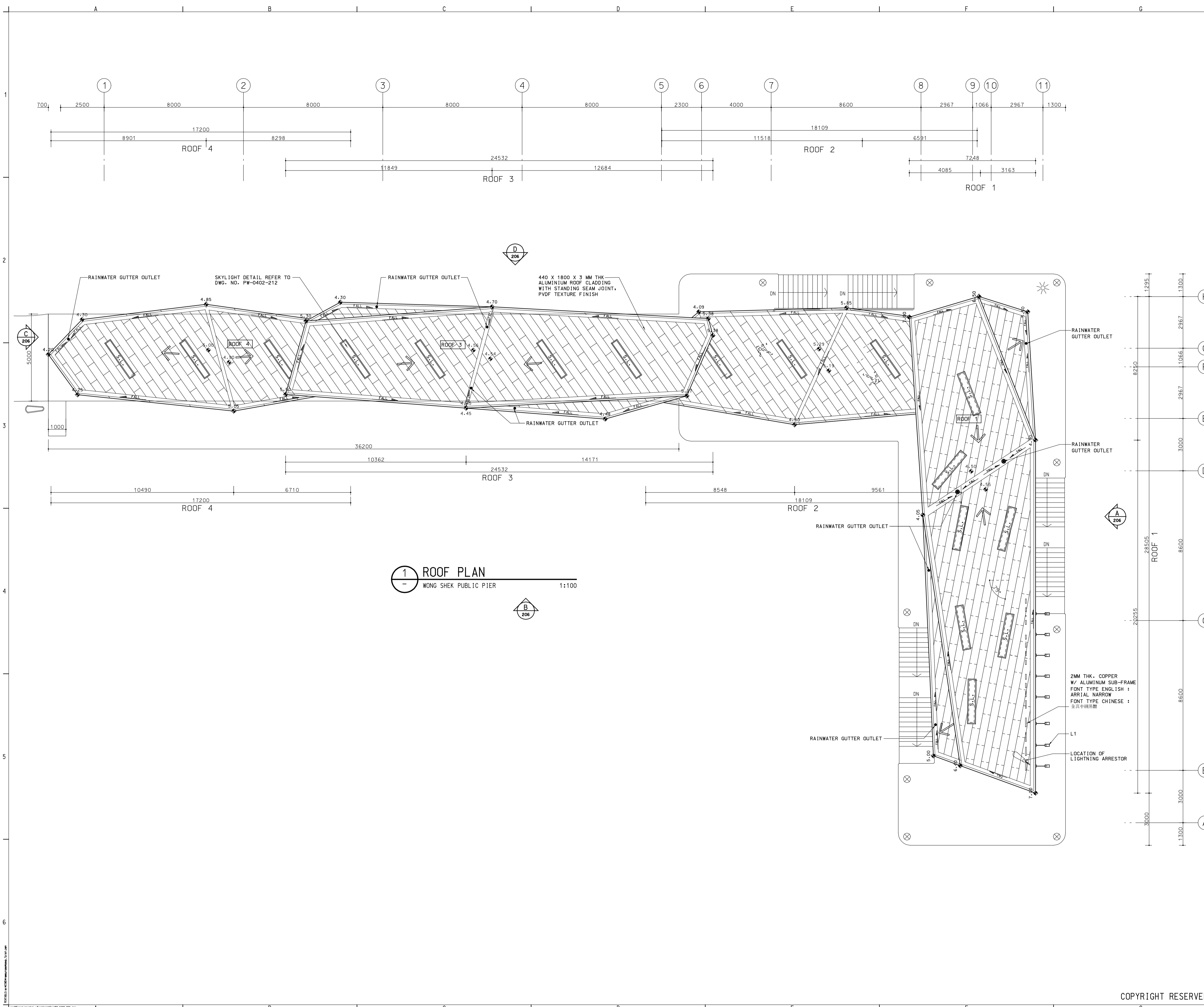
**WONG SHEK PUBLIC PIER - LAYOUT PLAN**

drawing no. **PW-0402-201** scale 1:100

office

PORT WORKS DIVISION  
CIVIL ENGINEERING OFFICE

CIVIL ENGINEERING AND DEVELOPMENT DEPARTMENT  
HONG KONG



- NOTES:**
- ALL DIMENSIONS ARE IN MILLIMETRES AND TO BE VERIFIED AND CHECKED ON SITE. USE FIGURED DIMENSIONS ONLY. DO NOT SCALE THIS DRAWING.
  - ALL LEVELS OF ROOF SHOWN ARE FINISHED LEVEL AND ARE INDICATED AS THE LEVEL IN METRES ABOVE THE STRUCTURAL DECK LEVEL.
- LEGEND:**
- ⊙ BOLLARD
  - ⊛ NAVIGATION LIGHT (L4)
  - RUBBISH BIN
  - SITTING BENCH 1
  - RAILING
  - ↙ SETTING OUT POINT
  - S.L. SKYLIGHT
  - ⊕ FINISHED LEVEL IN METRES ABOVE STRUCTURAL DECK LEVEL. (SEE NOTES 2.)

no.	date	description	checked	approved
<b>REVISION</b>				
designed		D HSIUNG	SIGNED	18.8.2004
drawn		T WU	SIGNED	18.8.2004
traced		T WU	SIGNED	18.8.2004
checked		D HSIUNG	SIGNED	18.8.2004

approved

SIGNED  
 (N P TONG)  
 Chief Engineer  
 date : 18.8.2004

contract no. CV/2004/02  
 file no. PW WP/WSP0/01  
 project no. 5048 TF

architectural consultant  
 Ivanho Architect Limited.  
 何文堯建築師有限公司

contract

**RECONSTRUCTION OF WONG SHEK AND KO LAU WAN PUBLIC PIERS**

drawing title

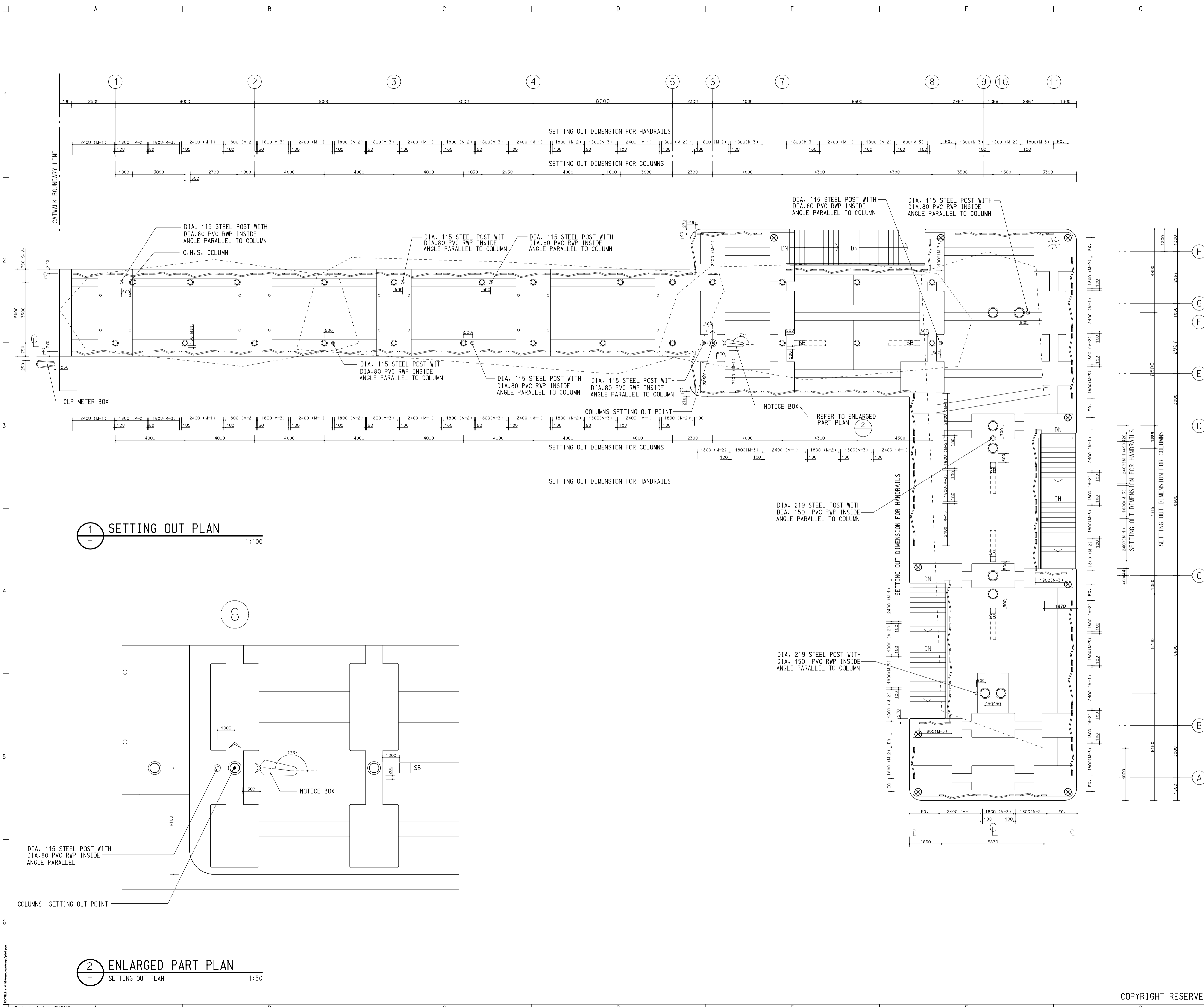
**WONG SHEK PUBLIC PIER - ROOF PLAN**

drawing no. **PW-0402-202** scale 1:100

office

PORT WORKS DIVISION  
 CIVIL ENGINEERING OFFICE

CIVIL ENGINEERING AND DEVELOPMENT DEPARTMENT HONG KONG



- NOTES:**
- ALL DIMENSIONS ARE IN MILLIMETRES AND TO BE VERIFIED AND CHECKED ON SITE. USE FIGURED DIMENSIONS ONLY. DO NOT SCALE THIS DRAWING.
- LEGEND:**
- ⊗ BOLLARD
  - ⊛ NAVIGATION LIGHT (L4)
  - RUBBISH BIN
  - ☐ SITTING BENCH 1
  - RAILING
  - ↔ SETTING OUT POINT
  - ℄ CENTER LINE

no.	date	description	checked	approved
<b>REVISION</b>				
designed		D HSIUNG	SIGNED	18.8.2004
drawn		T WU	SIGNED	18.8.2004
traced		T WU	SIGNED	18.8.2004
checked		D HSIUNG	SIGNED	18.8.2004

approved

SIGNED  
 (N P TONG)  
 Chief Engineer  
 date: 18.8.2004

contract no. CV/2004/02

file no. PW WP/WSP0/01

project no. 5048 TF

architectural consultant  
*Ivanho Architect Limited.*  
 何文堯建築師有限公司

contract

**RECONSTRUCTION OF WONG SHEK AND KO LAU WAN PUBLIC PIERS**

drawing title

**WONG SHEK PUBLIC PIER - SETTING OUT PLAN**

drawing no. **PW-0402-203** scale 1:100

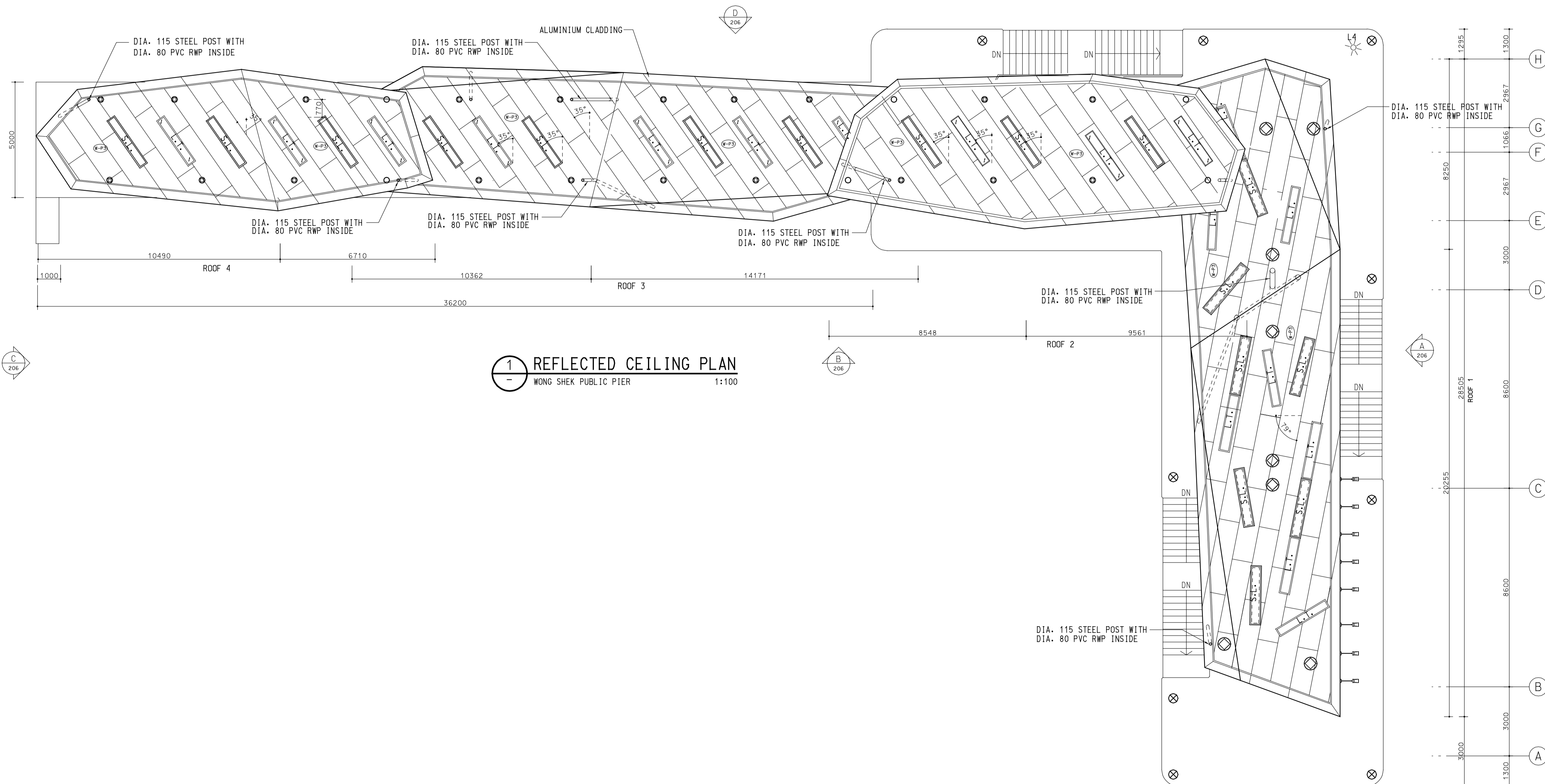
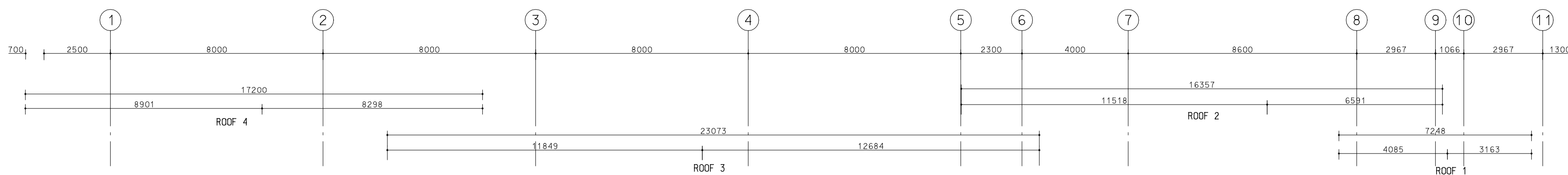
office

PORT WORKS DIVISION  
CIVIL ENGINEERING OFFICE

CIVIL ENGINEERING AND DEVELOPMENT DEPARTMENT  
HONG KONG

COPYRIGHT RESERVED





**1 REFLECTED CEILING PLAN**  
WONG SHEK PUBLIC PIER 1:100

- NOTES:**
- ALL DIMENSIONS ARE IN MILLIMETRES AND TO BE VERIFIED AND CHECKED ON SITE. USE FIGURED DIMENSIONS ONLY. DO NOT SCALE THIS DRAWING.
- LEGEND:**
- BOLLARD
  - NAVIGATION LIGHT (L4)
  - RAILING
  - SETTING OUT POINT
  - S.L.: SKYLIGHT
  - L.T.: CUSTOM MADE FLUORESCENT LAMP WITH 1x28W T5 TUBE WITH ELECTRONIC BALLAST, IP65 SIZES SAME AS SKYLIGHT
  - P-2: PVDF TEXTURED COATING FINISH COLOR TO BE SUBMITTED FOR ENGINEER'S APPROVAL

no.	date	description	checked	approved
<b>REVISION</b>				
		name	Initial	date
designed		D HSIUNG	SIGNED	18.8.2004
drawn		B HO	SIGNED	18.8.2004
traced		B HO	SIGNED	18.8.2004
checked		D HSIUNG	SIGNED	18.8.2004

approved

SIGNED  
---  
(N P TONG)  
Chief Engineer  
date: 18.8.2004

contract no. CV/2004/02  
file no. PW WP/WSP0/01  
project no. 5048 TF

architectural consultant  
Ivanho Architect Limited.  
何文堯建築師有限公司

contract

**RECONSTRUCTION OF WONG SHEK AND KO LAU WAN PUBLIC PIERS**

drawing title

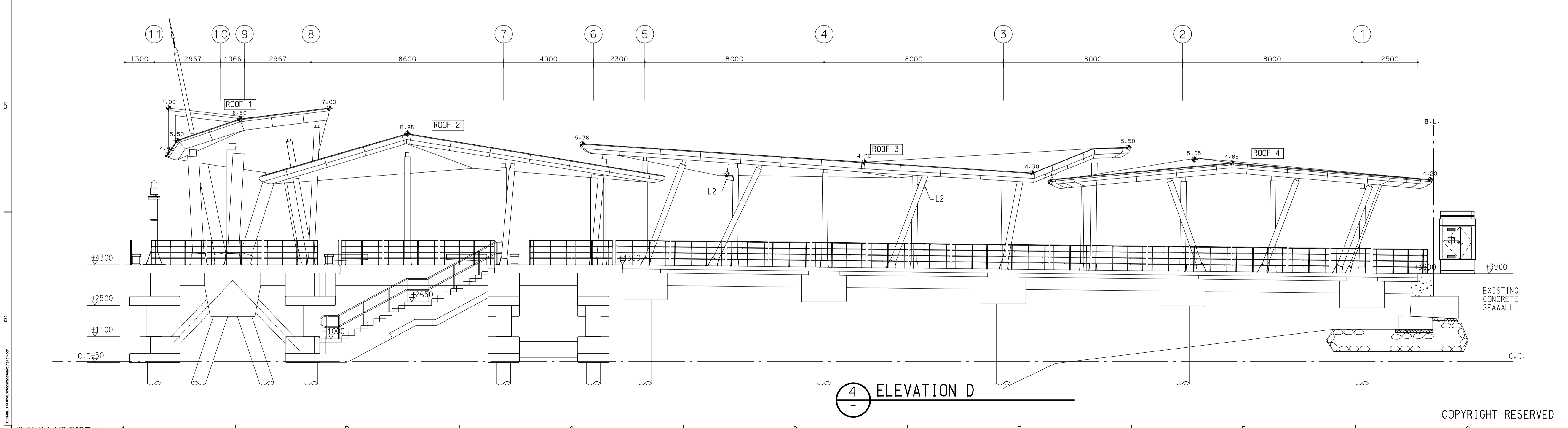
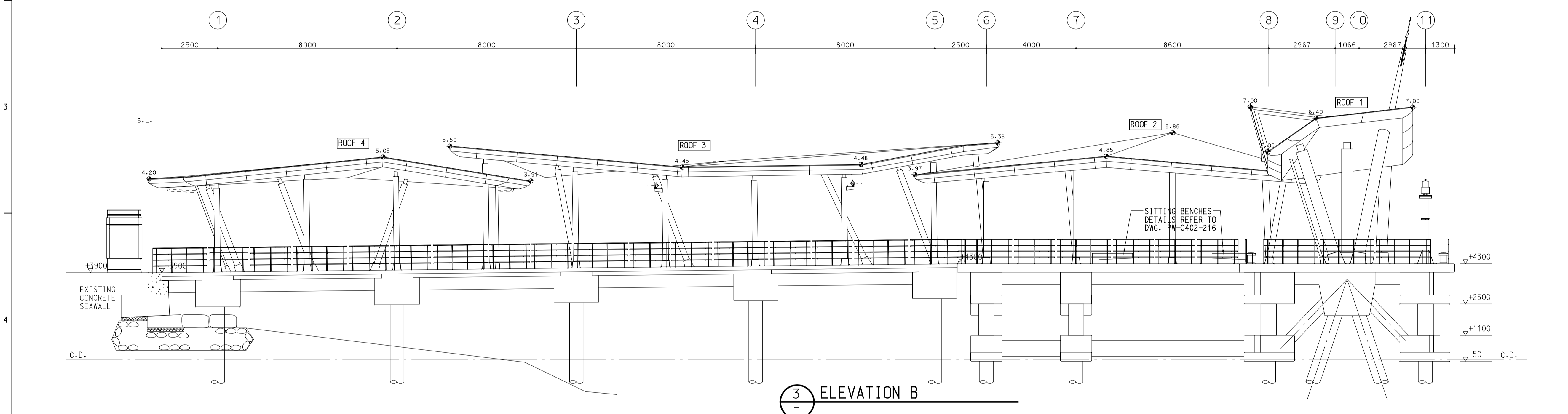
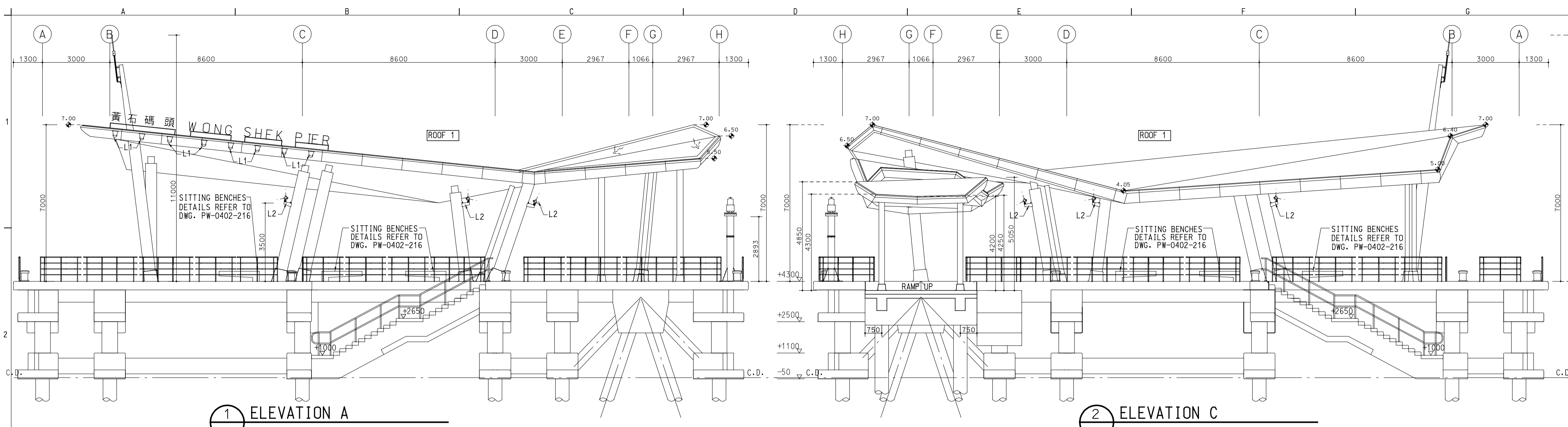
**WONG SHEK PUBLIC PIER - REFLECTED CEILING PLAN**

drawing no. **PW-0402-205** scale 1:100

office

PORT WORKS DIVISION  
CIVIL ENGINEERING OFFICE

CIVIL ENGINEERING AND DEVELOPMENT DEPARTMENT HONG KONG



- NOTES:**
1. ALL DIMENSIONS ARE IN MILLIMETRES AND TO BE VERIFIED AND CHECKED ON SITE. USE FIGURED DIMENSIONS ONLY. DO NOT SCALE THIS DRAWING.
  2. SOLVENT-BASED INTUMESCENT FIRE RESISTANCE MASTIC COATING TO ALL STRUCTURAL STEEL WORK COMPLIED WITH B.S. 476 STANDARD. 1 COATS OF MID AND 1 HOUR FIRE PROTECTION. 2 COATS OF EPOXY TOP COAT BASED ON EPOXY RESIN ON TOP OR MASTIC COATING BASED ON EPOXY RESIN ON TOP OR MASTIC COATING.
  3. ALL LEVELS OF ROOF SHOWN ARE FINISHED LEVEL AND ARE INDICATED AS THE LEVEL IN METRES ABOVE THE STRUCTURAL DECK LEVEL.

**LEGEND:**

◆ FINISHED LEVEL IN METRES ABOVE STRUCTURAL DECK LEVEL. (SEE NOTES 3.)

no.	date	description	checked	approved
<b>REVISION</b>				
designed		D HSIUNG	SIGNED	18.8.2004
drawn		B HO	SIGNED	18.8.2004
traced		B HO	SIGNED	18.8.2004
checked		D HSIUNG	SIGNED	18.8.2004

approved

SIGNED  
 (IN P. TONG)  
 Chief Engineer  
 date: 18.8.2004

contract no. CV/2004/02

file no. PW WP/WSP0/01

project no. 5048 TF

architectural consultant

Ivanho Architect Limited.  
 何文堯建築師有限公司

contract

**RECONSTRUCTION OF WONG SHEK AND KO LAU WAN PUBLIC PIERS**

drawing title

**WONG SHEK PUBLIC PIER - ELEVATION**

drawing no. **PW-0402-206**

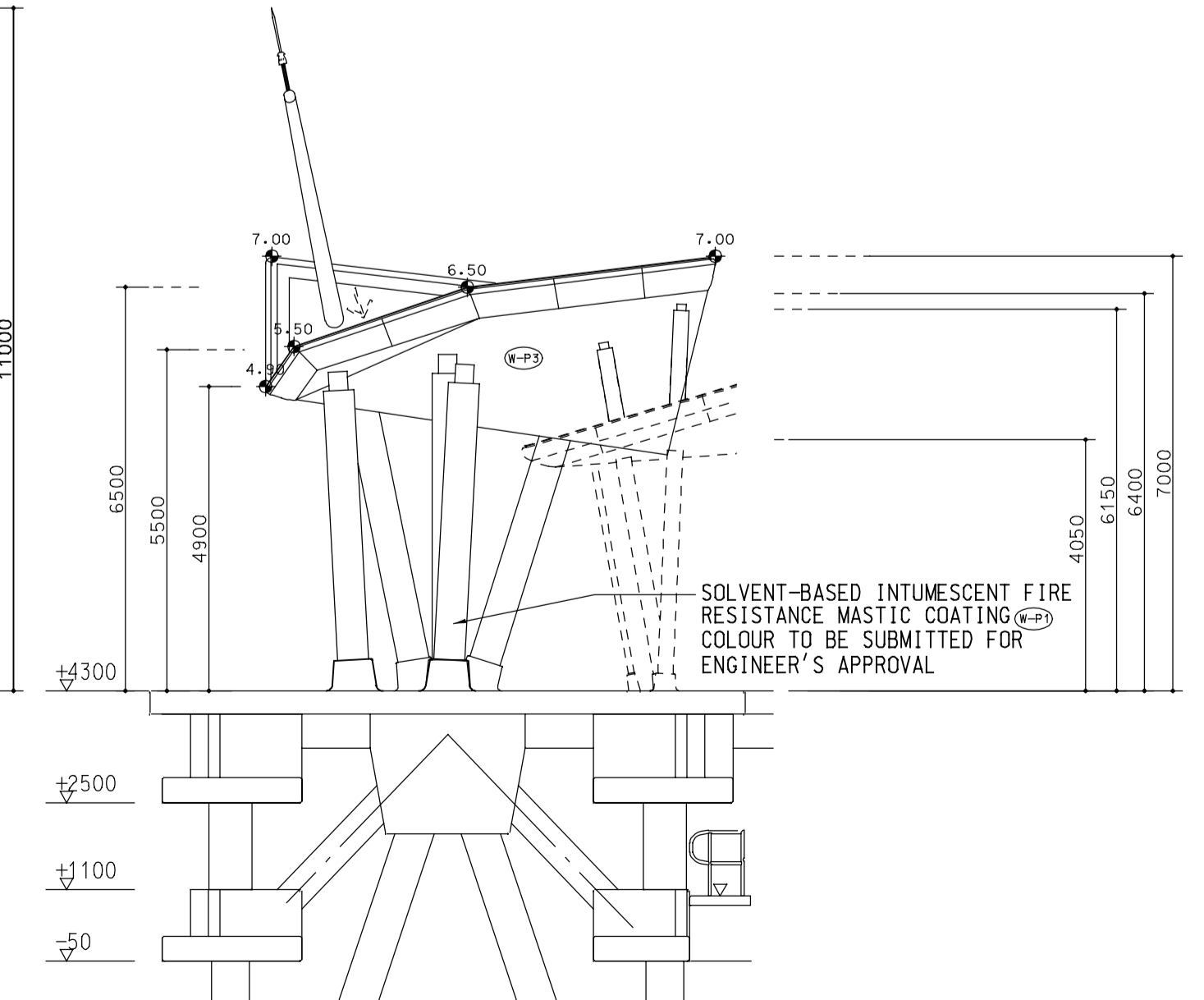
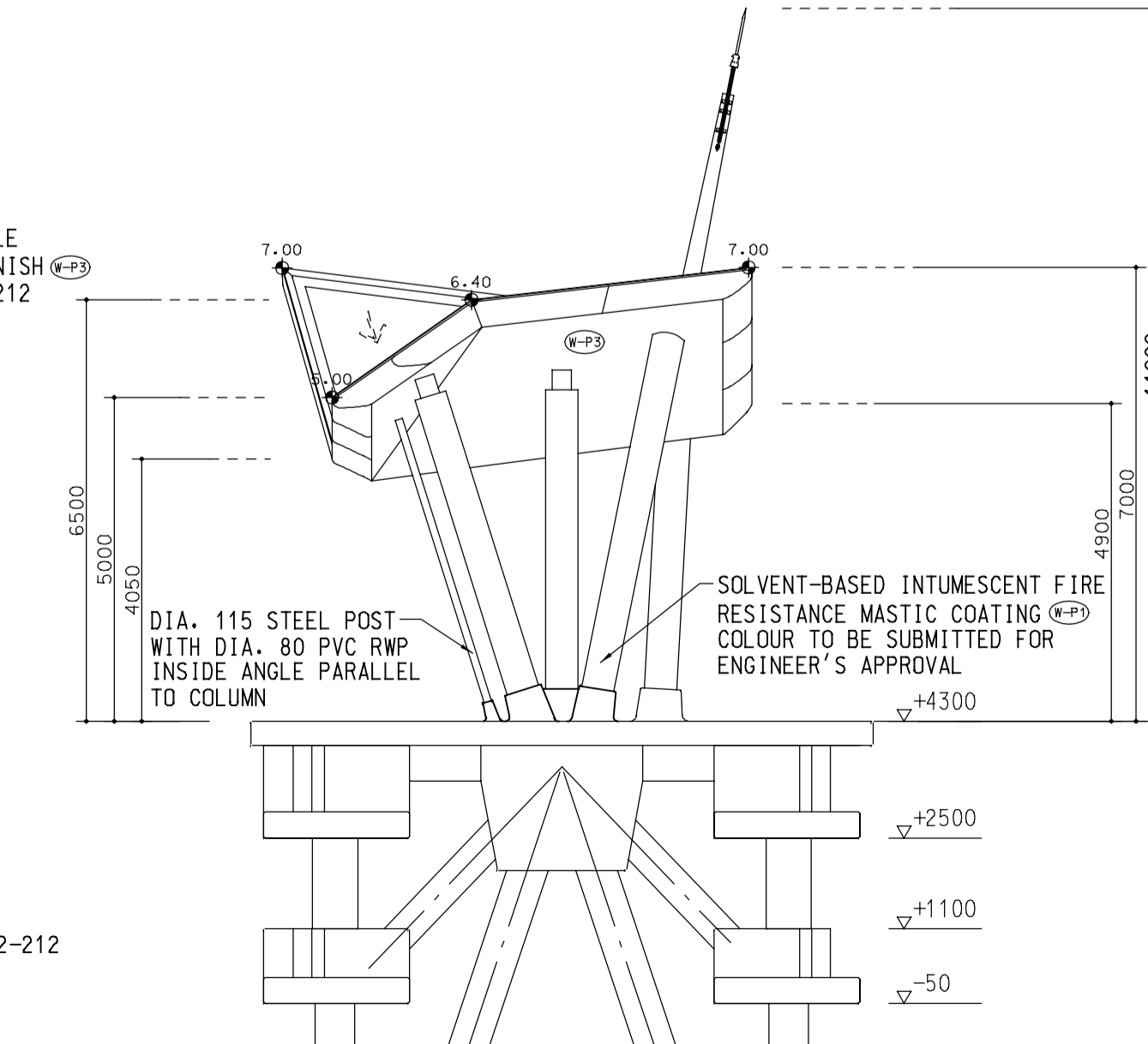
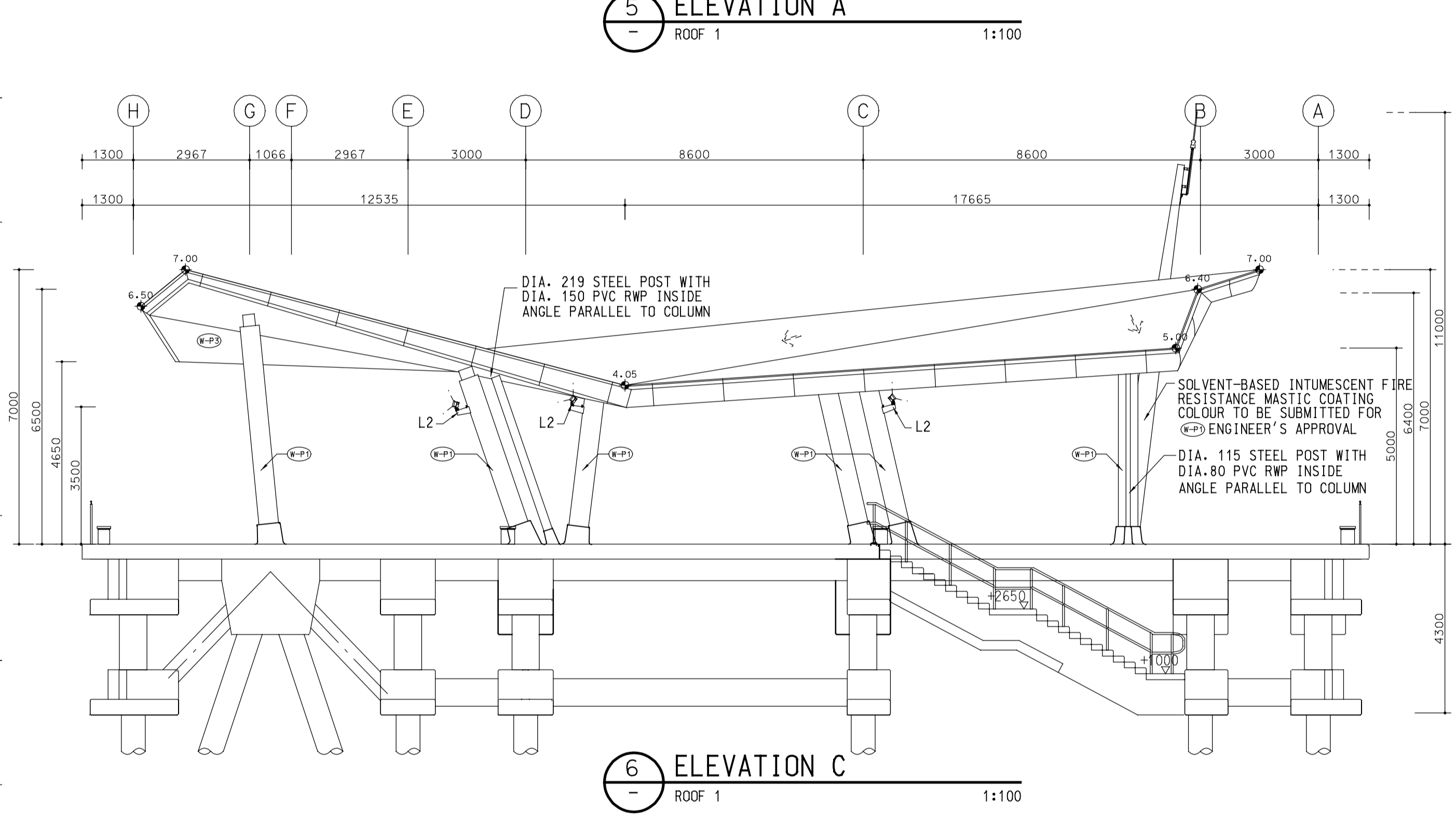
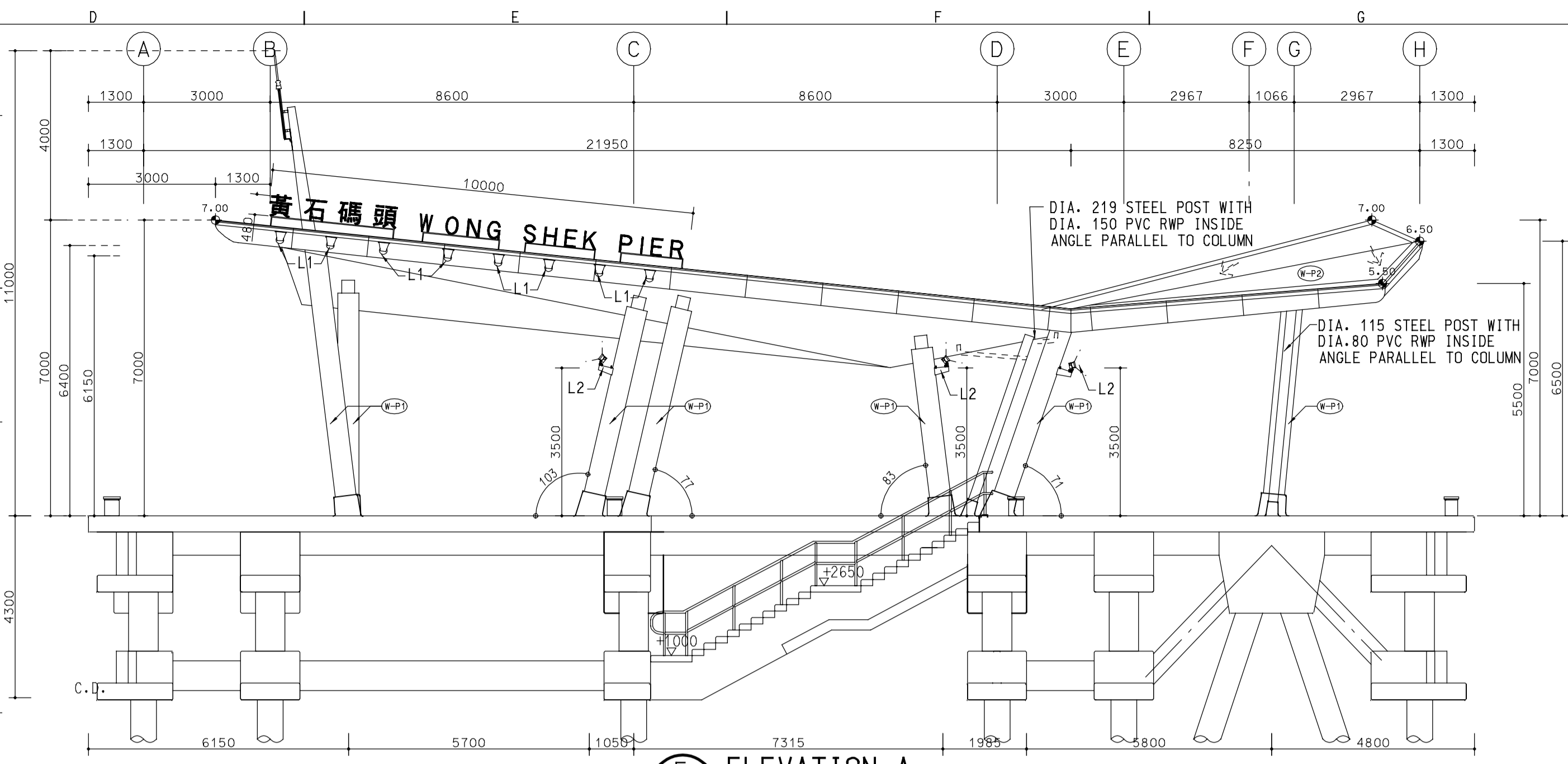
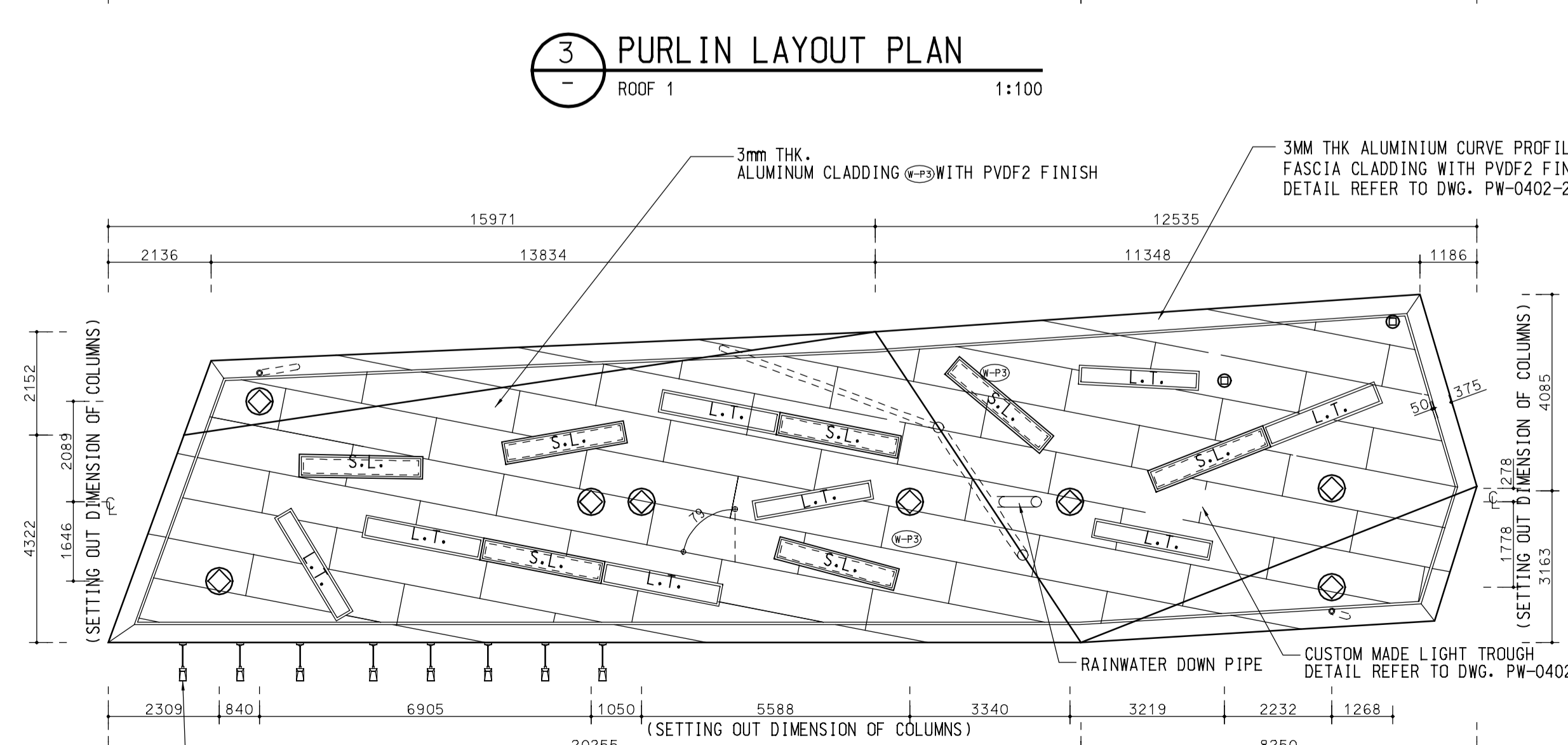
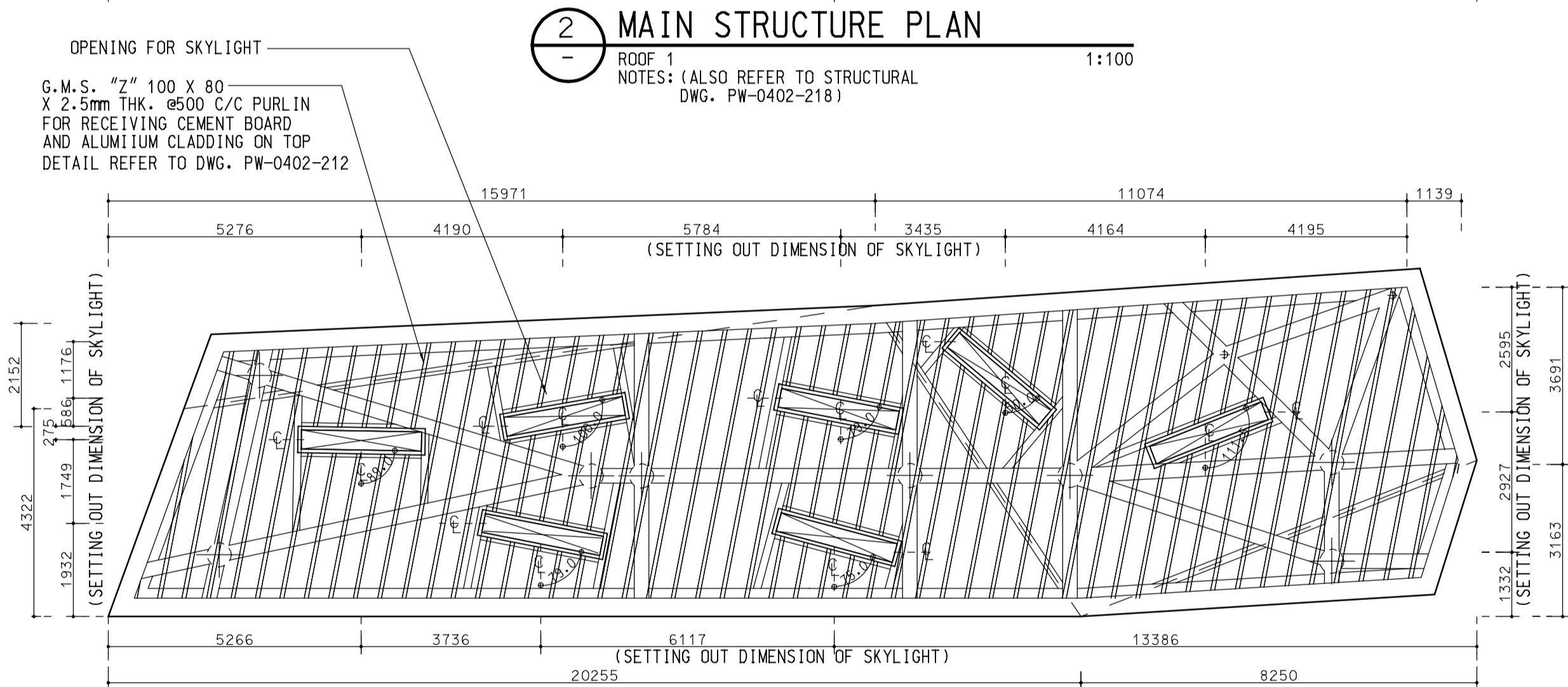
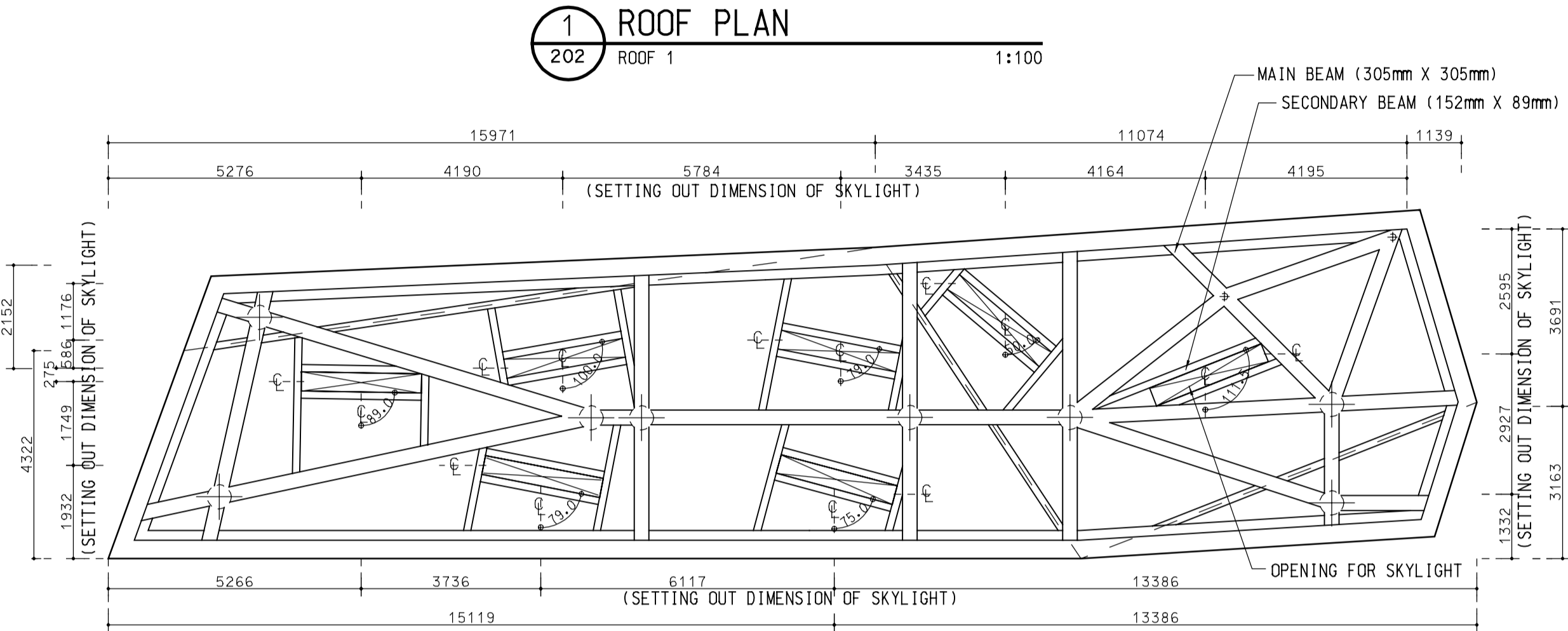
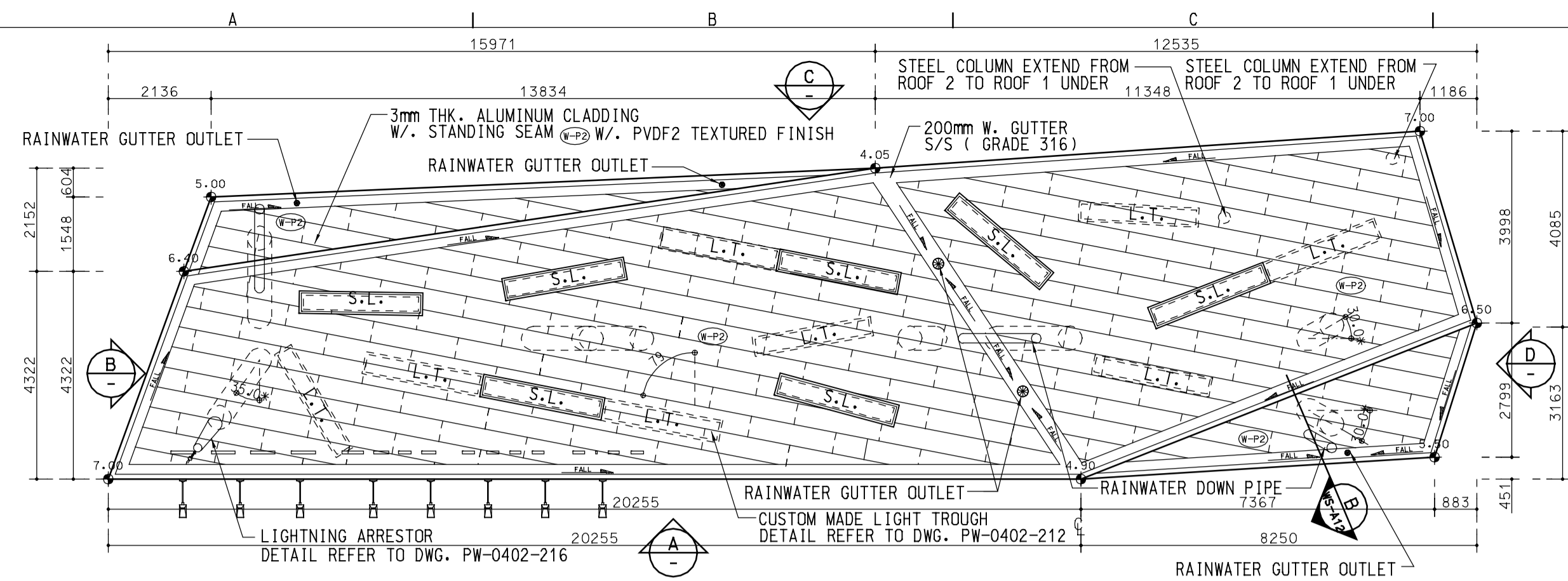
scale 1:100

office

PORT WORKS DIVISION  
 CIVIL ENGINEERING OFFICE

CIVIL ENGINEERING AND DEVELOPMENT DEPARTMENT  
 HONG KONG

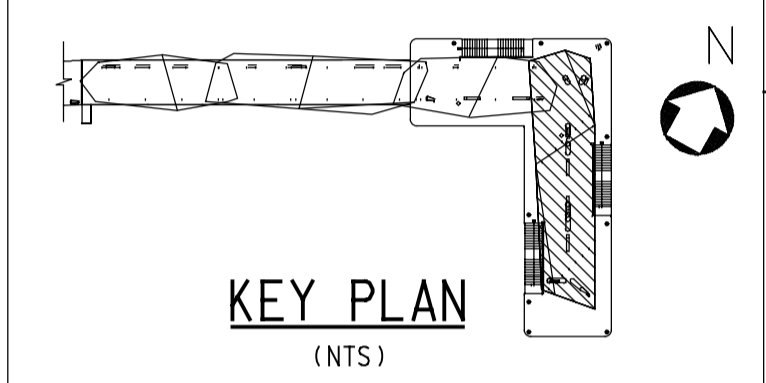
COPYRIGHT RESERVED



- NOTES:
- ALL DIMENSIONS ARE IN MILLIMETRES AND TO BE VERIFIED AND CHECKED ON SITE. USE FIGURED DIMENSIONS ONLY. DO NOT SCALE THIS DRAWING.
  - SOLVENT-BASED INTUMESCENT FIRE RESISTANCE MASTIC COATING TO ALL STRUCTURAL STEEL WORK COMPLIED WITH B.S. 476 STANDARD 1 COATS OF MIO AND 1 HOUR FIRE PROTECTION. 2 COATS OF EPOXY TOP COAT BASED ON EPOXY RESIN ON TOP OR MASTIC COATING BASED ON EPOXY RESIN ON TOP OR MASTIC COATING.
  - ALL LEVELS OF ROOF SHOWN ARE FINISHED LEVEL AND ARE INDICATED AS THE LEVEL IN METRES ABOVE THE STRUCTURAL DECK LEVEL.

- LEGEND:
- L.T. : CUSTOM MADE FLUORESCENT LAMP WITH 1x28W T5 TUBE WITH ELECTRONIC BALLAST, IP65 SIZES SAME AS SKYLIGHT
  - S.L. : SKYLIGHT

- (P) SOLVENT-BASED INTUMESCENT FIRE RESISTANCE MASTIC COATING COLOR TO BE SUBMITTED FOR ENGINEER'S APPROVAL
- (P) PVDF TEXTURED COATING FINISH COLOR TO BE SUBMITTED FOR ENGINEER'S APPROVAL
- (P) PVDF POWDER COATING FINISH COLOR TO BE SUBMITTED FOR ENGINEER'S APPROVAL
- ◆ FINISHED LEVEL IN METRES ABOVE STRUCTURAL DECK LEVEL. (SEE NOTES 3.)



no.	date	description	checked	approved
designed		D HSIUNG	SIGNED	18.8.2004
drawn		B HO	SIGNED	18.8.2004
traced		B HO	SIGNED	18.8.2004
checked		D HSIUNG	SIGNED	18.8.2004

approved

SIGNED  
(N.P. TONG)  
Chief Engineer  
date: 18.8.2004

contract no. CV/2004/02  
file no. PW/WP/WSP/OT  
project no. 5048 TF

architectural consultant  
Ivanho Architect Limited.  
何文堯建築師有限公司

RECONSTRUCTION OF WONG SHEK AND KO LAU WAN PUBLIC PIERS

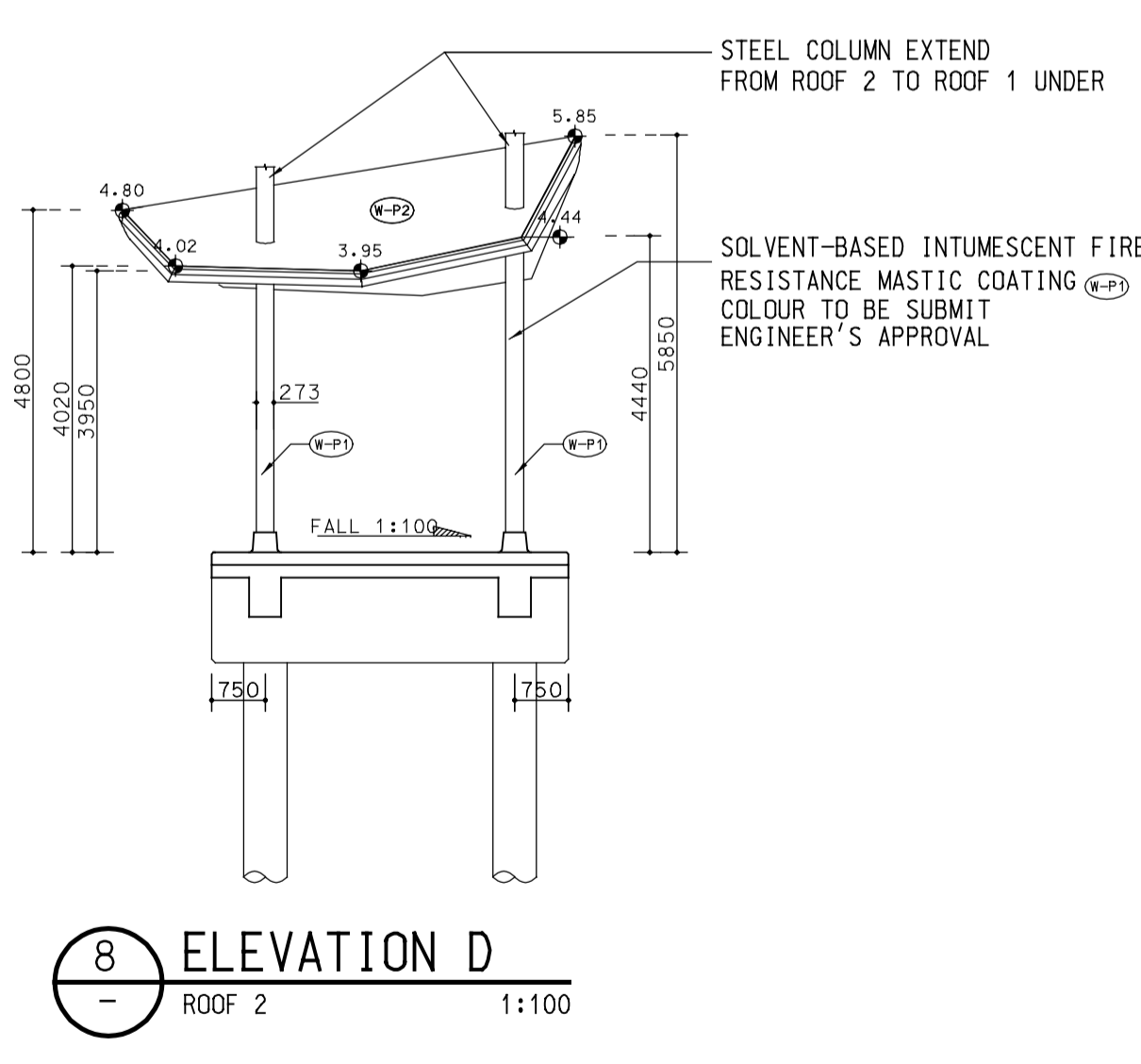
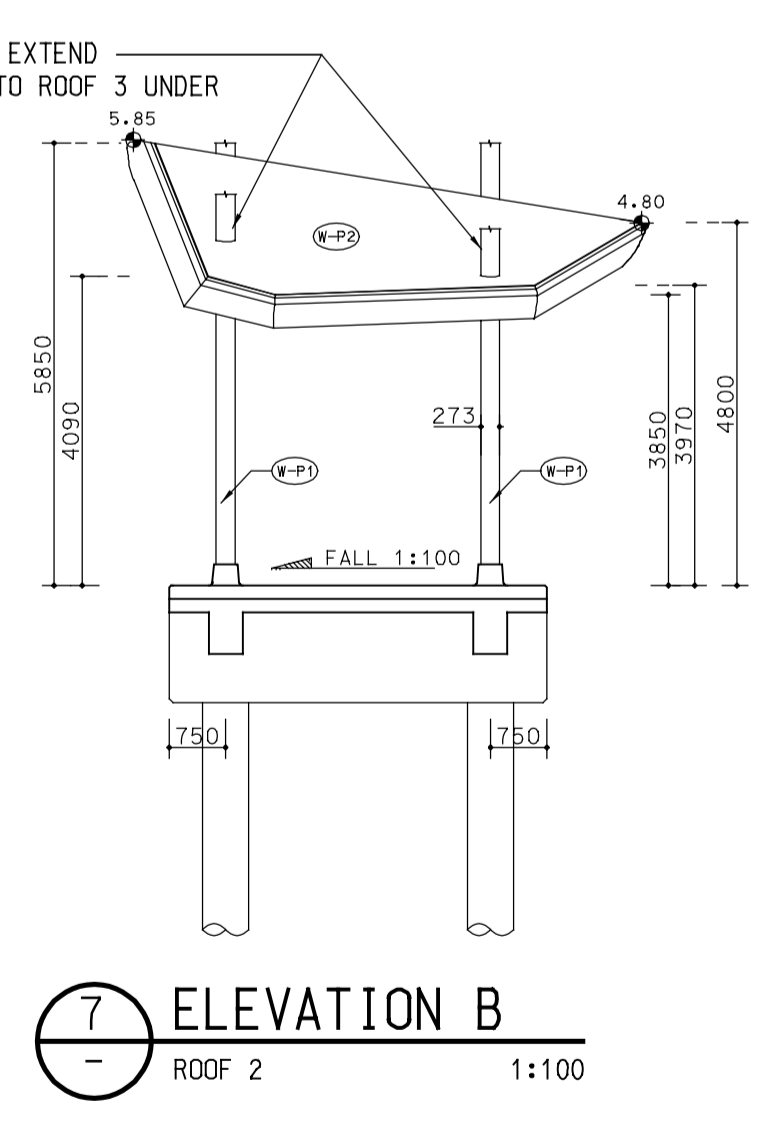
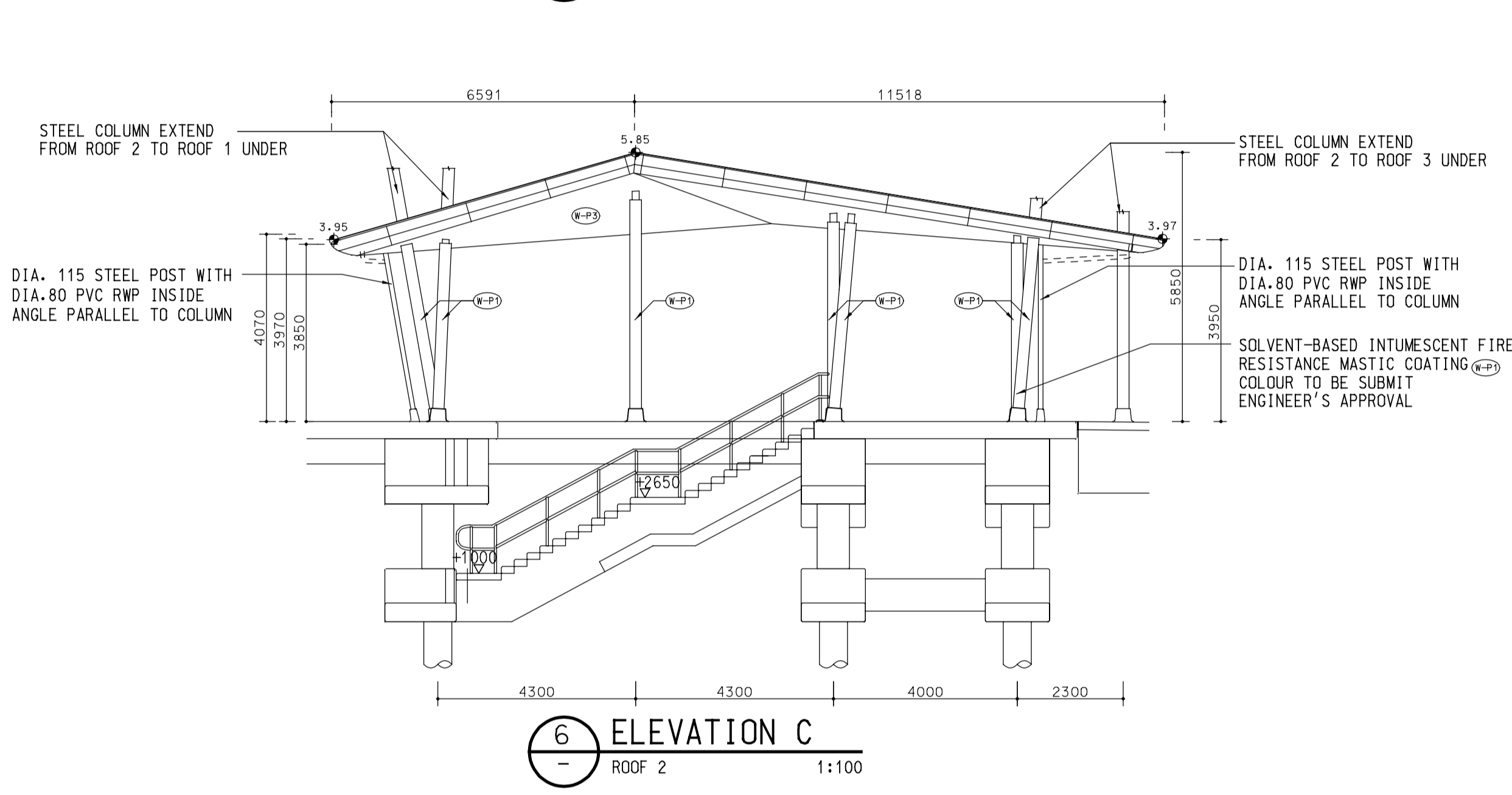
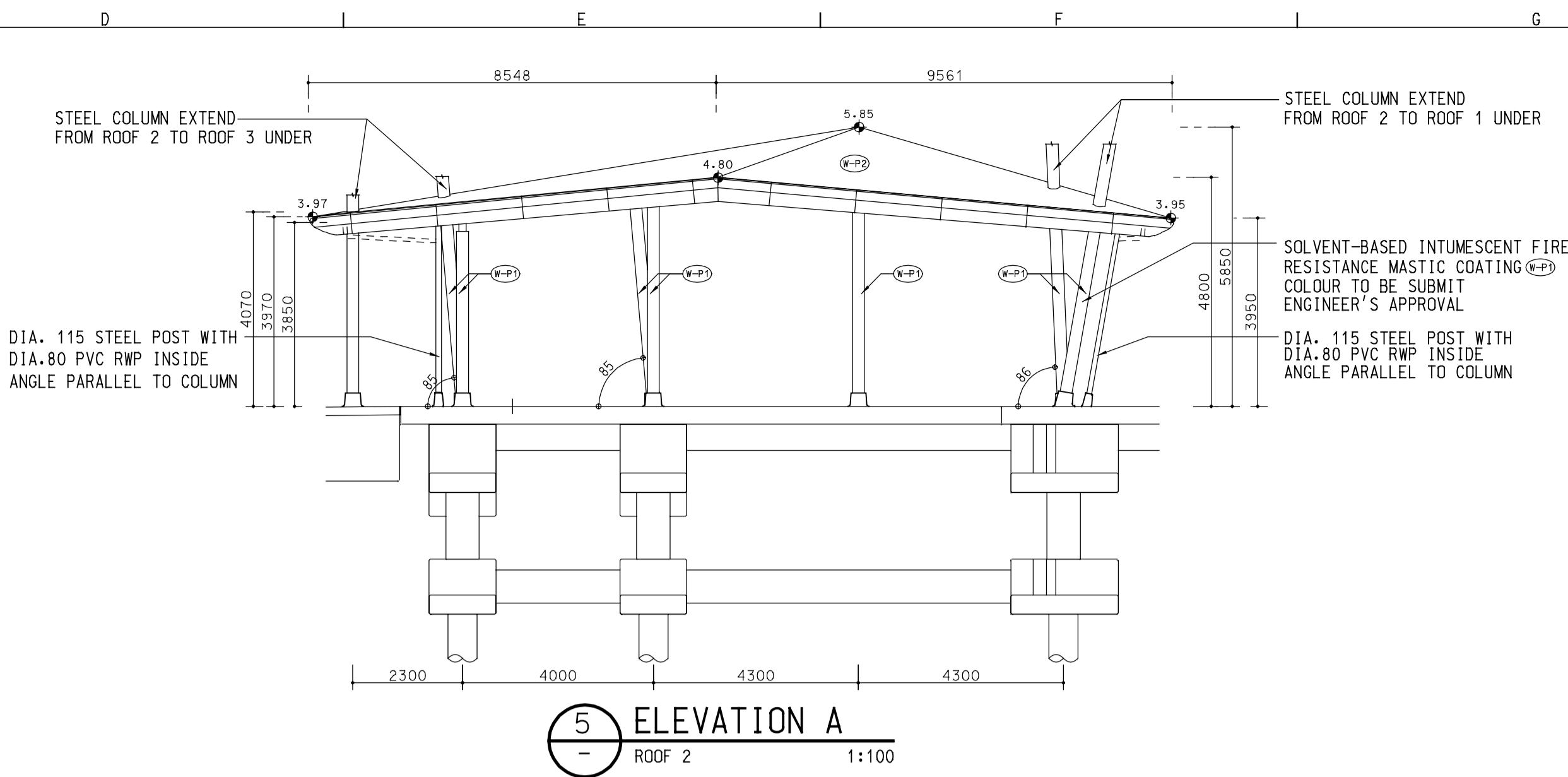
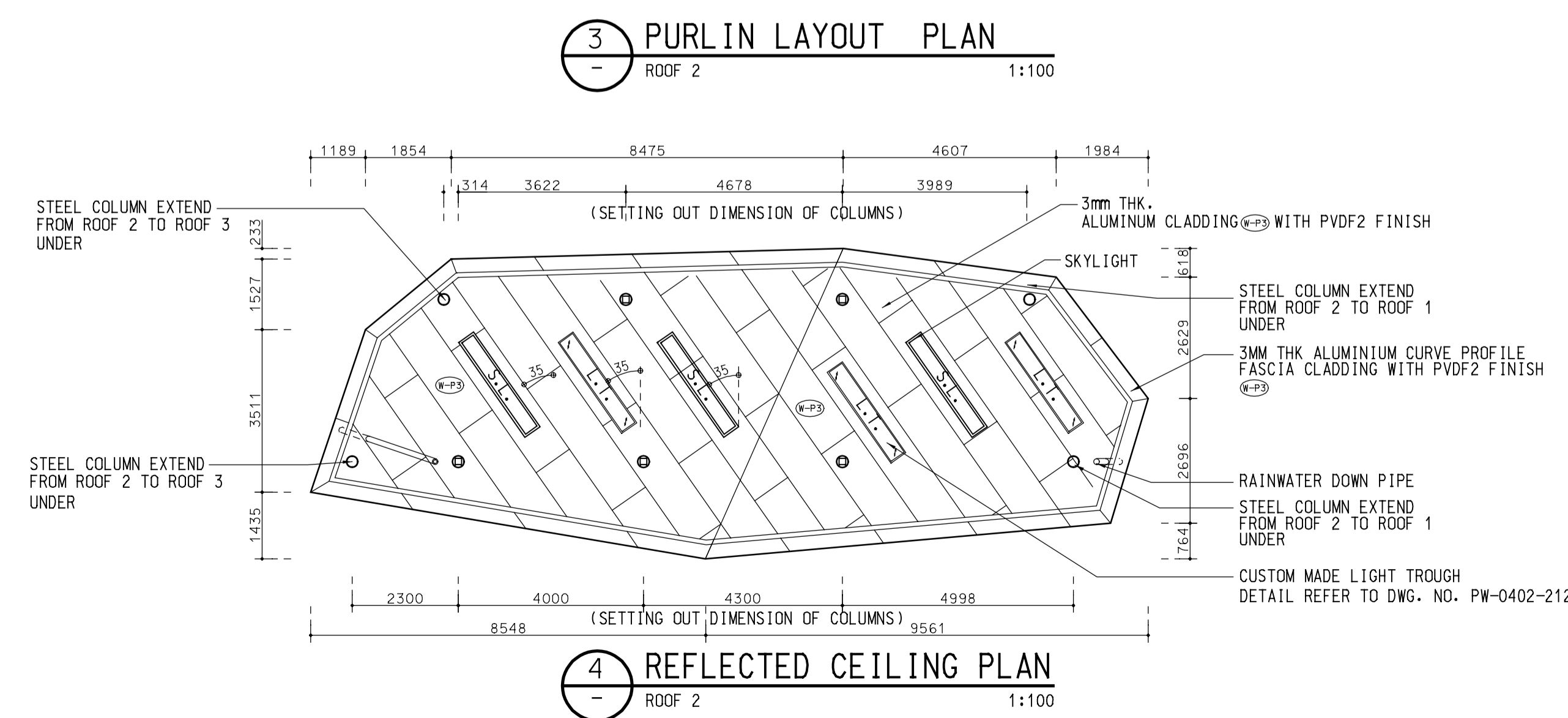
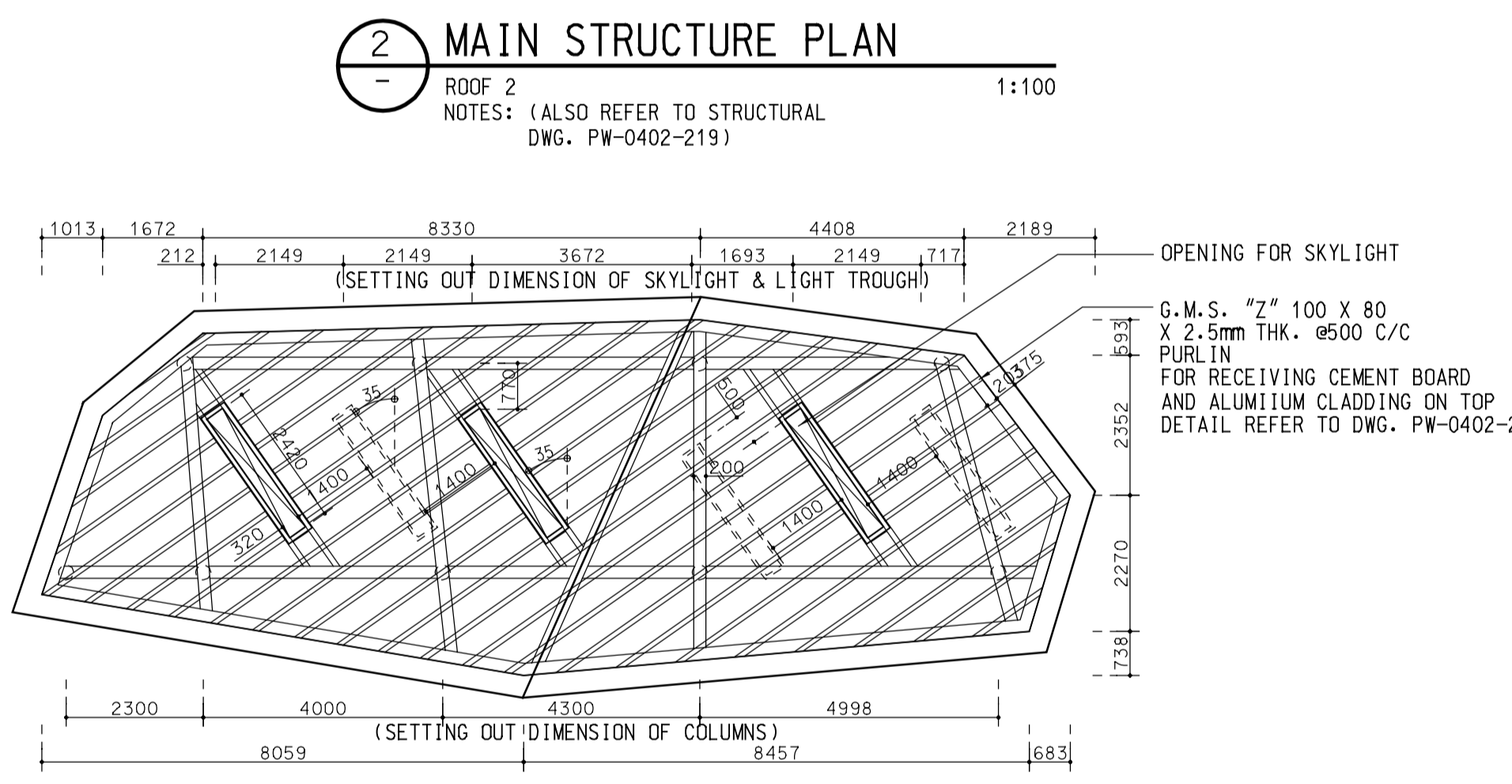
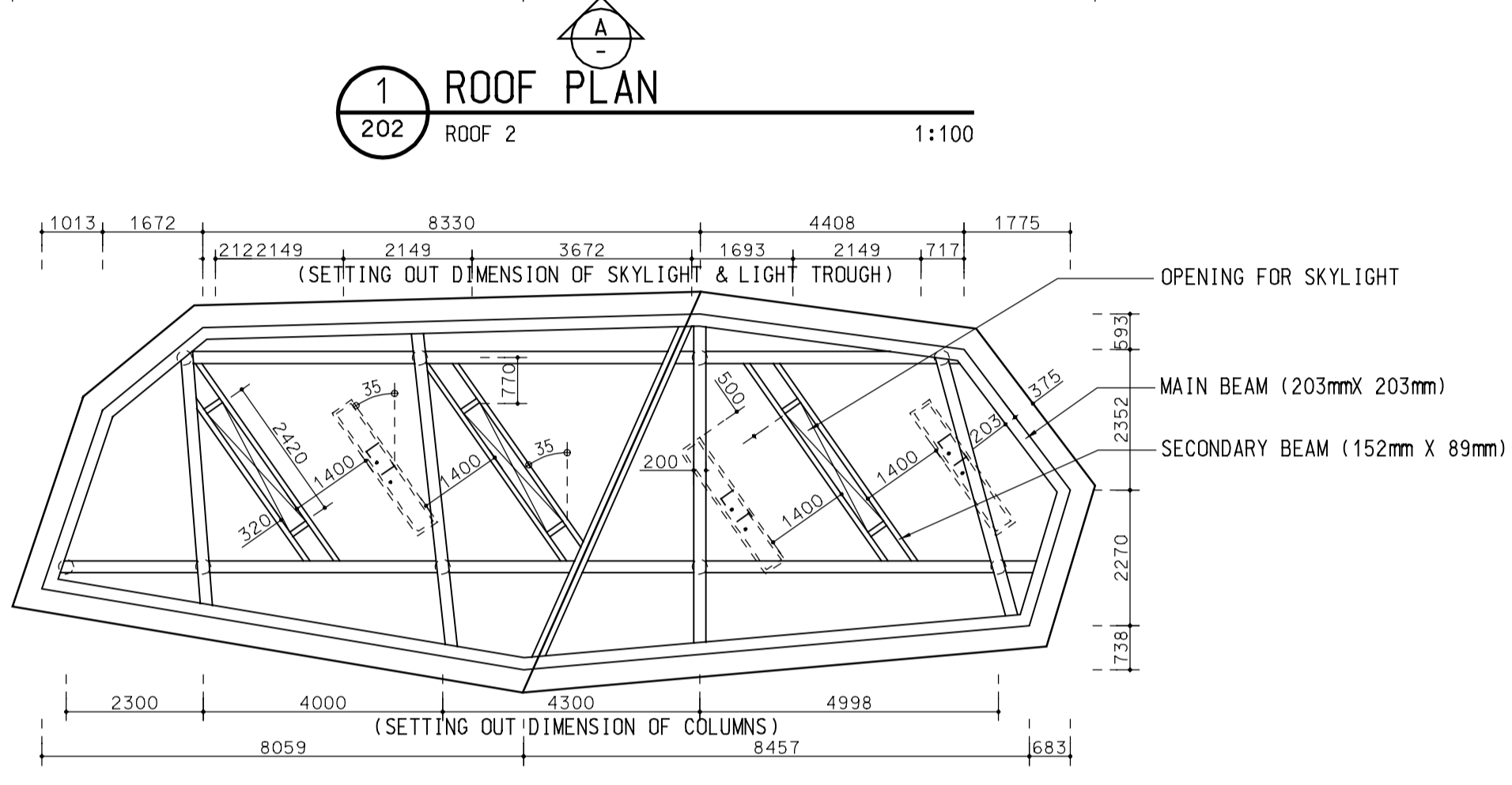
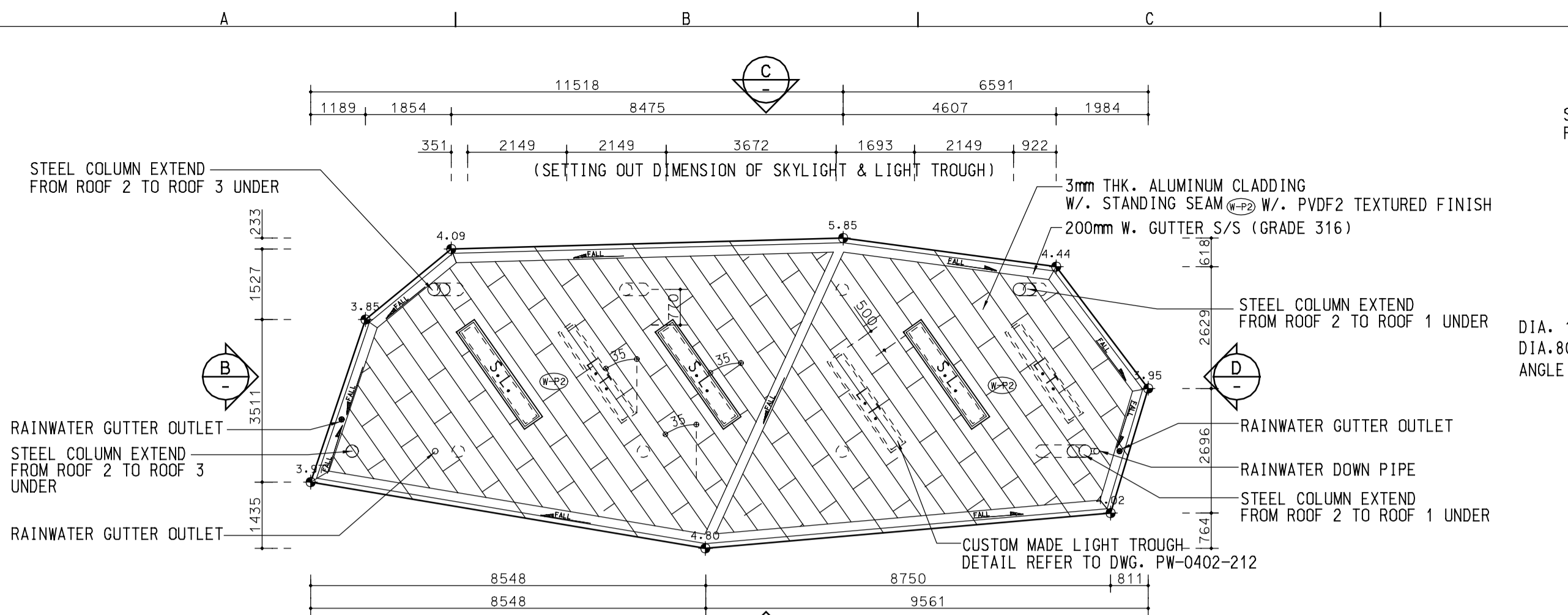
drawing title

WONG SHEK PUBLIC PIER - ROOF 1

drawing no. PW-0402-207  
scale 1:100

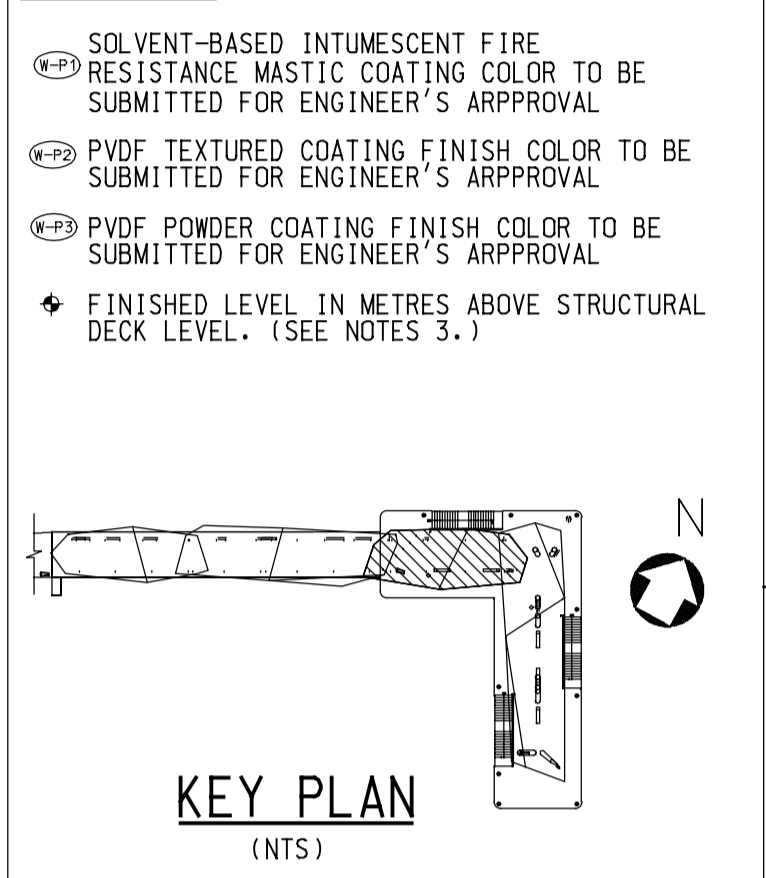
office  
PORT WORKS DIVISION  
CIVIL ENGINEERING OFFICE

CIVIL ENGINEERING AND DEVELOPMENT DEPARTMENT  
HONG KONG



- NOTES:**
- ALL DIMENSIONS ARE IN MILLIMETRES AND TO BE VERIFIED AND CHECKED ON SITE. USE FIGURED DIMENSIONS ONLY. DO NOT SCALE THIS DRAWING.
  - SOLVENT-BASED INTUMESCENT FIRE RESISTANCE MASTIC COATING TO ALL STRUCTURAL STEEL WORK COMPLIED WITH B.S. 476 STANDARD. 1 COATS OF MIO AND 1 HOUR FIRE PROTECTION. 2 COATS OF EPOXY TOP COAT BASED ON EPOXY RESIN ON TOP OR MASTIC COATING BASED ON EPOXY RESIN ON TOP OR MASTIC COATING.
  - ALL LEVELS OF ROOF SHOWN ARE FINISHED LEVEL AND ARE INDICATED AS THE LEVEL IN METRES ABOVE THE STRUCTURAL DECK LEVEL.

- LEGEND:**
- L.T. : CUSTOM MADE FLUORESCENT LAMP WITH 1x28W T5 TUBE WITH ELECTRONIC BALLAST, IP65 SIZES SAME AS SKYLIGHT
  - S.L. : SKYLIGHT
  - (P) : SOLVENT-BASED INTUMESCENT FIRE RESISTANCE MASTIC COATING COLOR TO BE SUBMITTED FOR ENGINEER'S APPROVAL
  - (P) : PVDF TEXTURED COATING FINISH COLOR TO BE SUBMITTED FOR ENGINEER'S APPROVAL
  - (P) : PVDF POWDER COATING FINISH COLOR TO BE SUBMITTED FOR ENGINEER'S APPROVAL
  - ◆ : FINISHED LEVEL IN METRES ABOVE STRUCTURAL DECK LEVEL. (SEE NOTES 3.)



no.	date	description	checked	approved
designed	D HSIUNG	SIGNED	18.8.2004	
drawn	B HO	SIGNED	18.8.2004	
traced	B HO	SIGNED	18.8.2004	
checked	D HSIUNG	SIGNED	18.8.2004	

**REVISION**

name	Initial	date
designed	D HSIUNG	18.8.2004
drawn	B HO	18.8.2004
traced	B HO	18.8.2004
checked	D HSIUNG	18.8.2004

contract no. CV/2004/02  
file no. PW WP/WSP0/01  
project no. 5048 TF

architectural consultant  
**Ivanho Architect Limited.**  
何文堯建築師有限公司

**RECONSTRUCTION OF WONG SHEK AND KO LAU WAN PUBLIC PIERS**

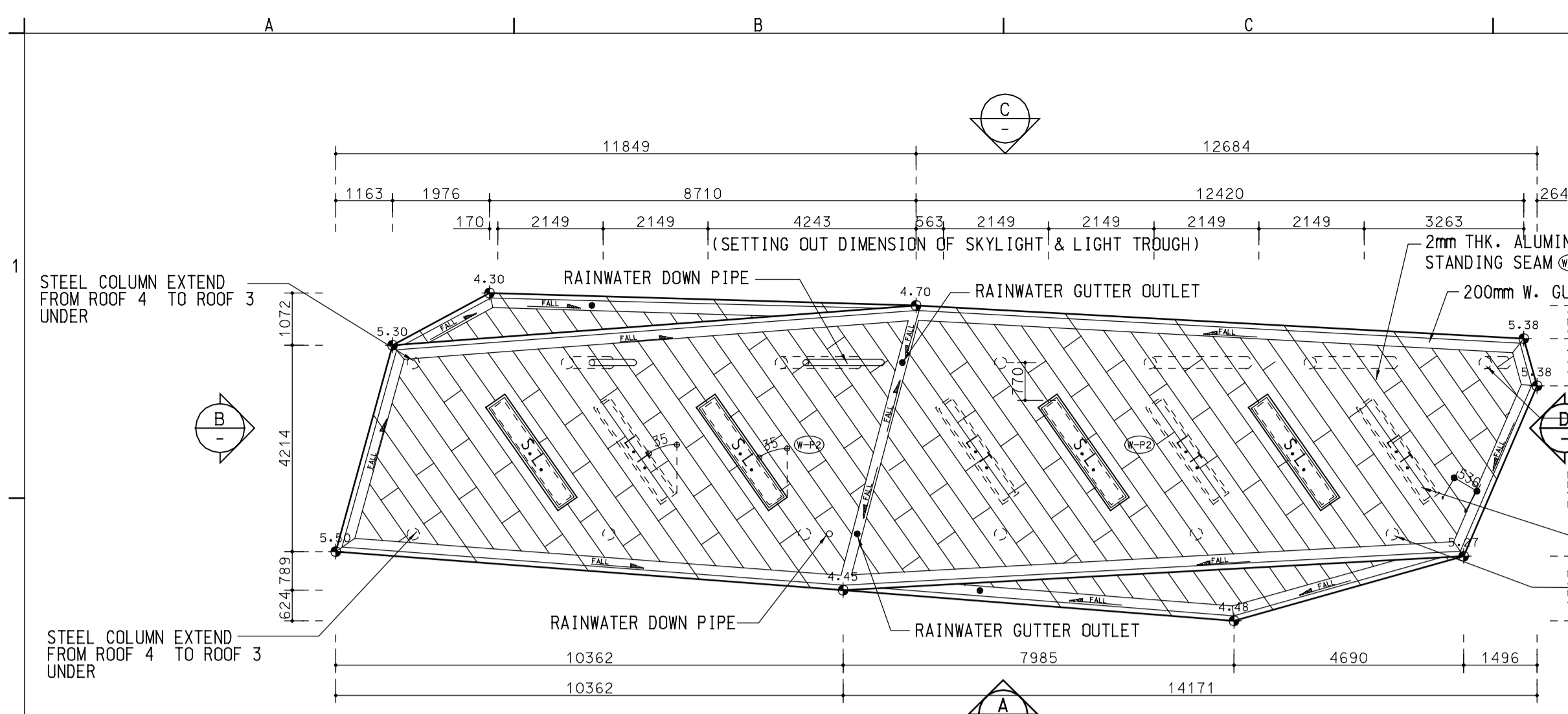
drawing title  
**WONG SHEK PUBLIC PIER - ROOF 2**

drawing no. **PW-0402-208** scale 1:100

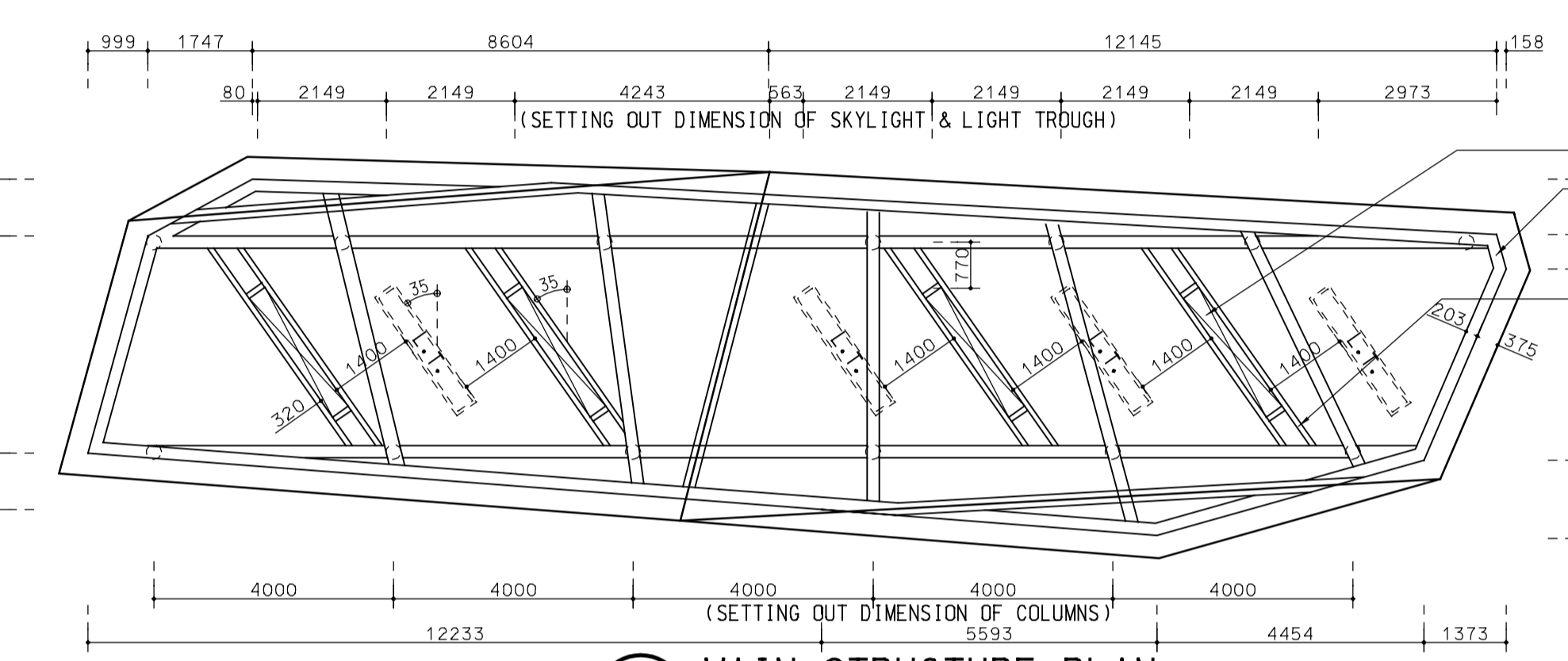
office  
PORT WORKS DIVISION  
CIVIL ENGINEERING OFFICE

CIVIL ENGINEERING AND DEVELOPMENT DEPARTMENT  
HONG KONG

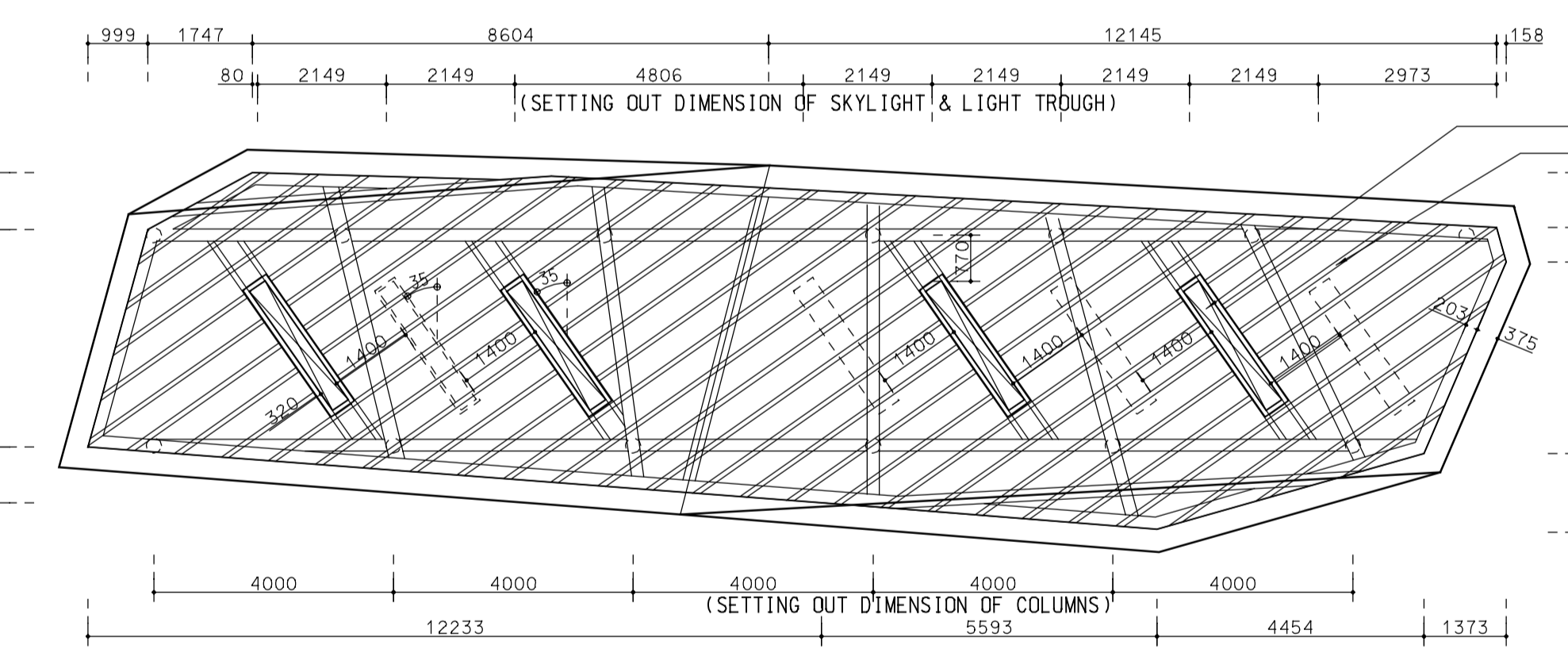




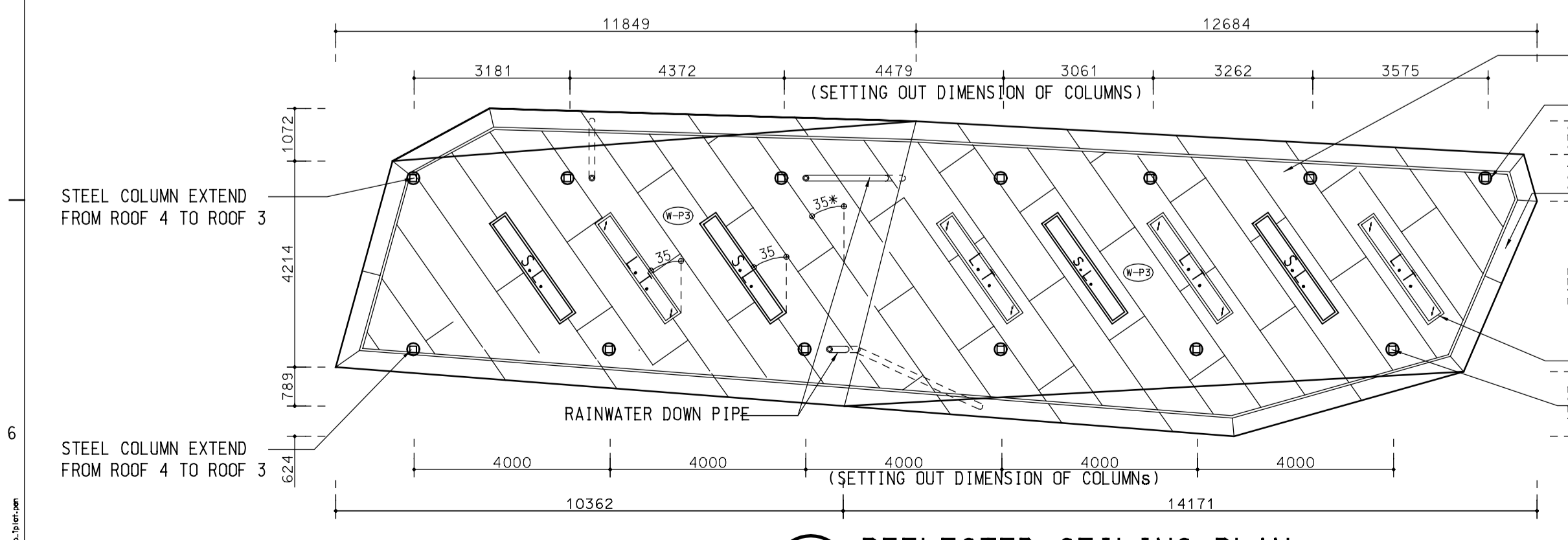
**1 ROOF PLAN**  
ROOF 3  
1:100



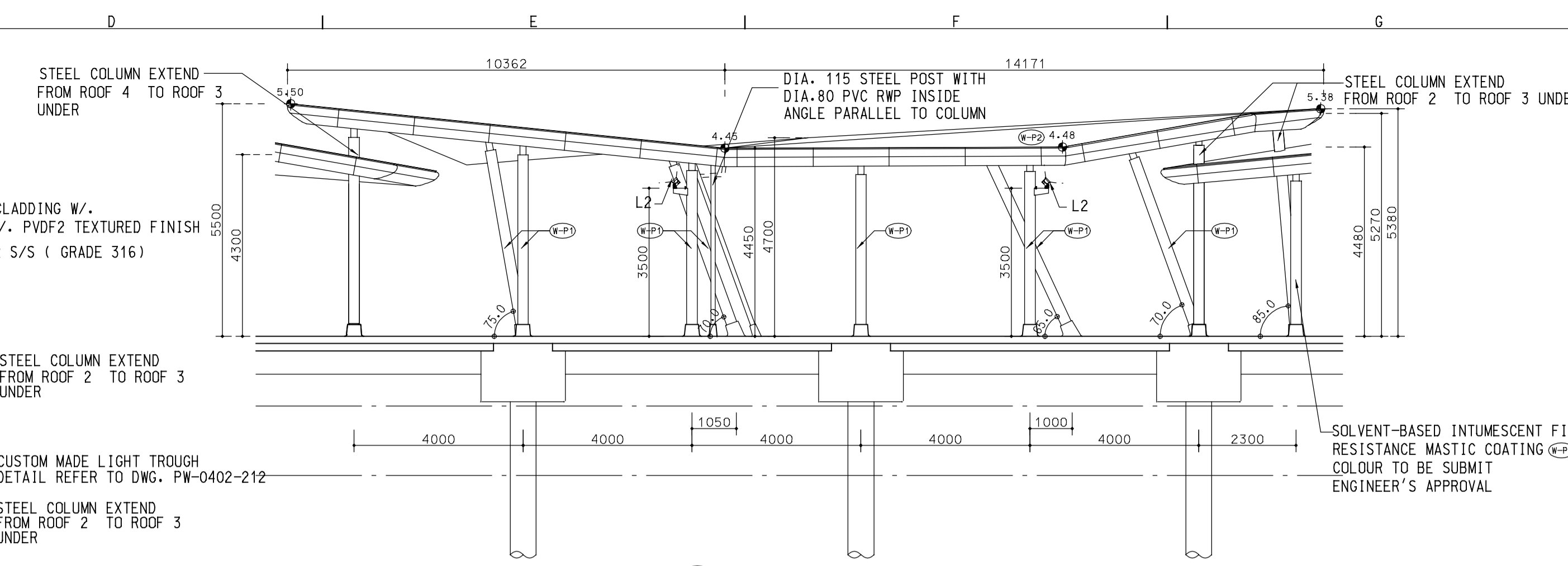
**2 MAIN STRUCTURE PLAN**  
ROOF 3  
1:100



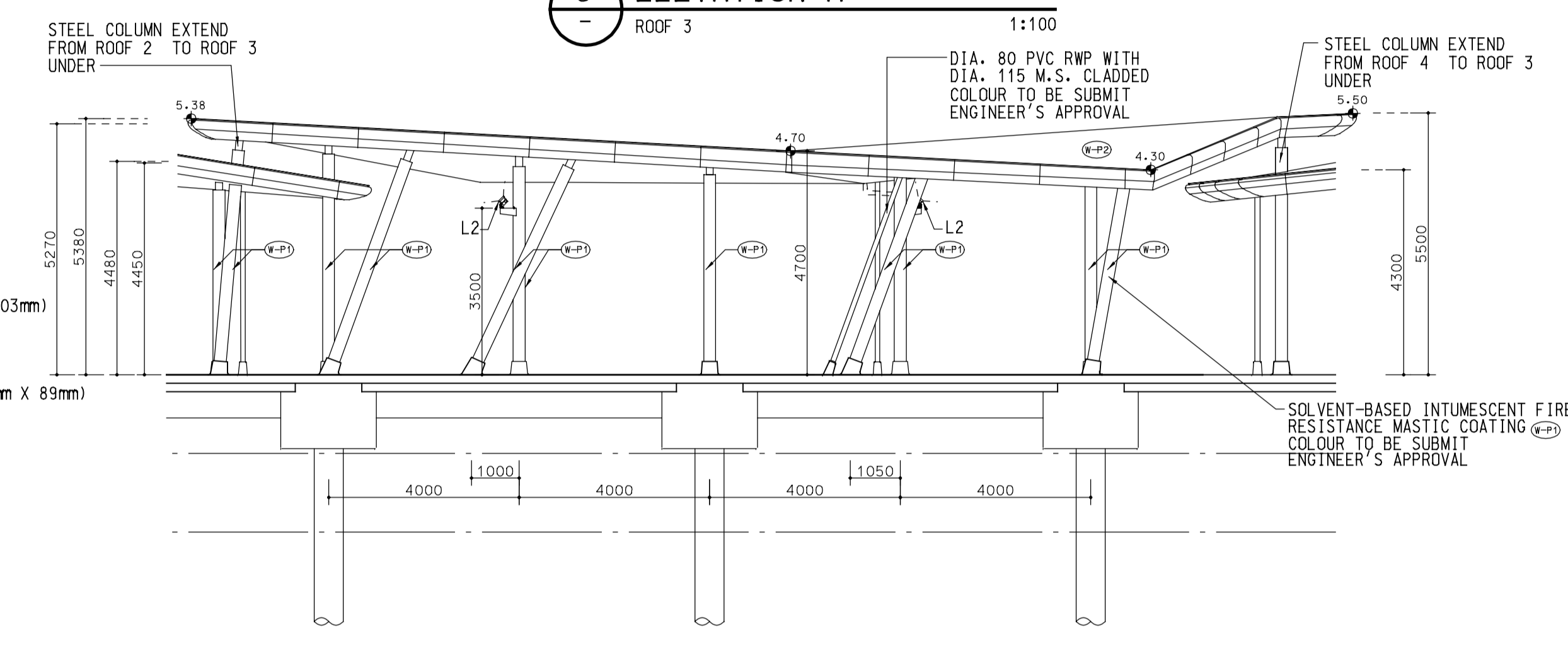
**3 PURLIN LAYOUT PLAN**  
ROOF 3  
1:100



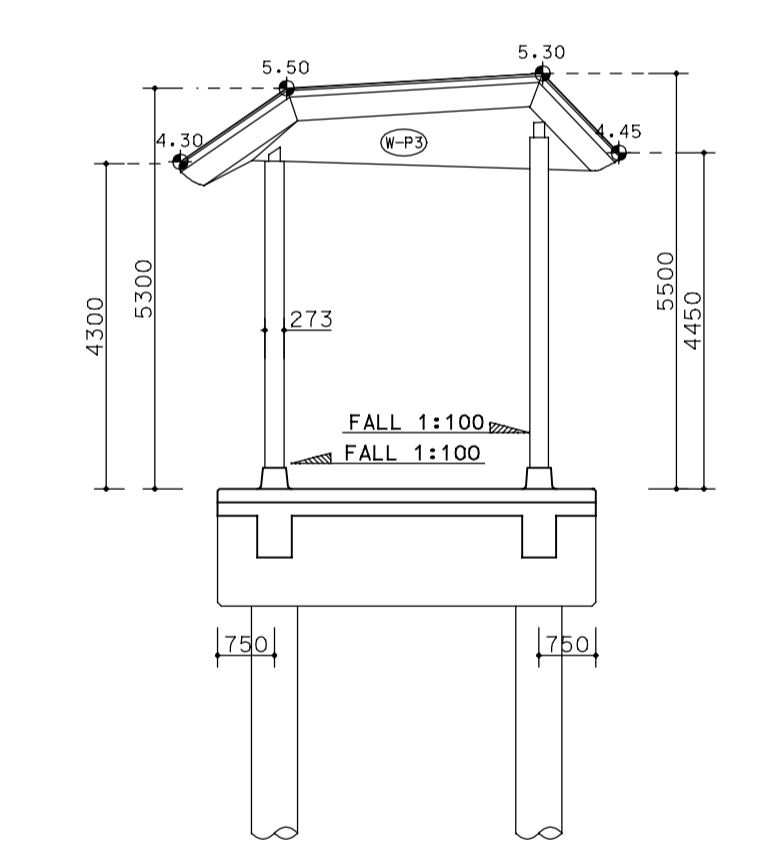
**4 REFLECTED CEILING PLAN**  
ROOF 3  
1:100



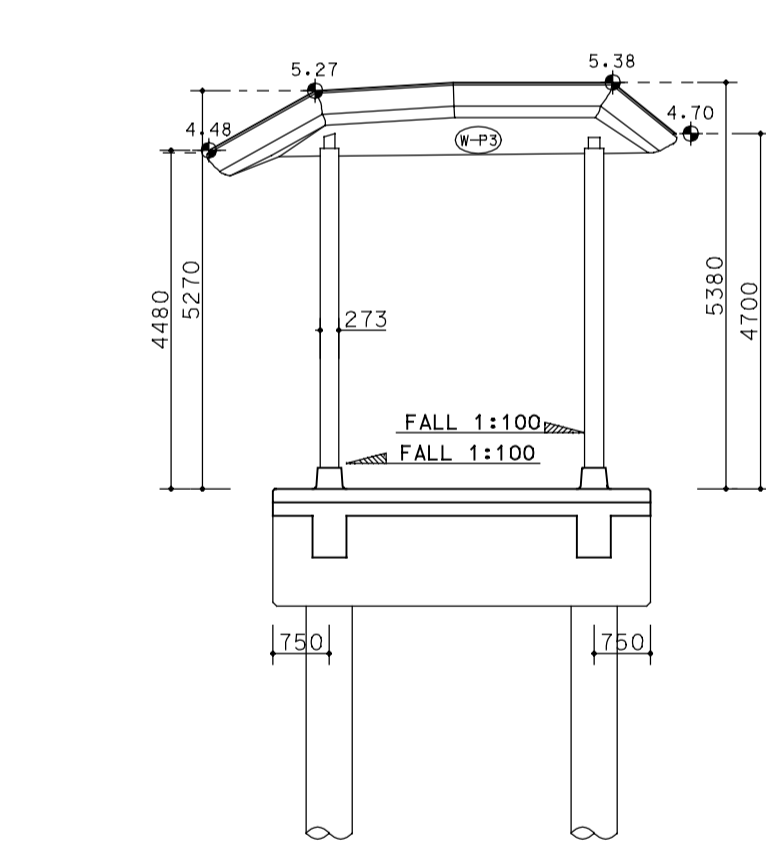
**5 ELEVATION A**  
ROOF 3  
1:100



**6 ELEVATION C**  
ROOF 3  
1:100



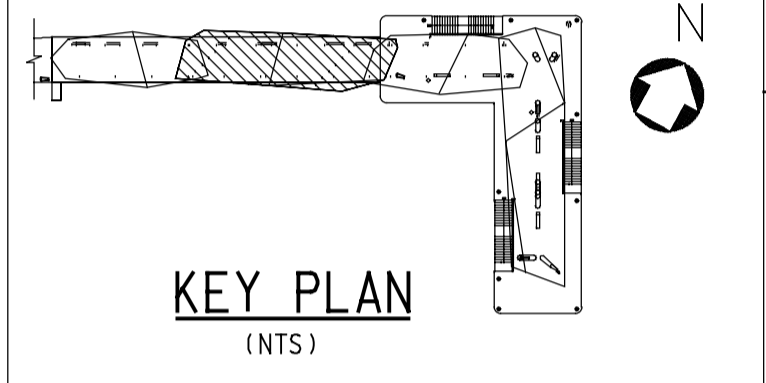
**7 ELEVATION B**  
ROOF 3  
1:100



**8 ELEVATION D**  
ROOF 3  
1:100

- NOTES:**
- ALL DIMENSIONS ARE IN MILLIMETRES AND TO BE VERIFIED AND CHECKED ON SITE. USE FIGURED DIMENSIONS ONLY. DO NOT SCALE THIS DRAWING.
  - SOLVENT-BASED INTUMESCENT FIRE RESISTANCE MASTIC COATING TO ALL STRUCTURAL STEEL WORK COMPLIED WITH B.S. 476 STANDARD. 1 COATS OF MIO AND 1 HOUR FIRE PROTECTION. 2 COATS OF EPOXY TOP COAT BASED ON EPOXY RESIN ON TOP OR MASTIC COATING BASED ON EPOXY RESIN ON TOP OR MASTIC COATING.
  - ALL LEVELS OF ROOF SHOWN ARE FINISHED LEVEL AND ARE INDICATED AS THE LEVEL IN METRES ABOVE THE STRUCTURAL DECK LEVEL.

- LEGEND:**
- L.T. : CUSTOM MADE FLUORESCENT LAMP WITH 1x28W T5 TUBE WITH ELECTRONIC BALLAST, IP65 SIZES SAME AS SKYLIGHT
  - S.L. : SKYLIGHT
  - (P) : SOLVENT-BASED INTUMESCENT FIRE RESISTANCE MASTIC COATING COLOR TO BE SUBMITTED FOR ENGINEER'S APPROVAL
  - (P) : PVDF TEXTURED COATING FINISH COLOR TO BE SUBMITTED FOR ENGINEER'S APPROVAL
  - (P) : PVDF POWDER COATING FINISH COLOR TO BE SUBMITTED FOR ENGINEER'S APPROVAL
  - ◆ FINISHED LEVEL IN METRES ABOVE STRUCTURAL DECK LEVEL. (SEE NOTES 3.)



no.	date	description	checked	approved
designed		D HSIUNG	SIGNED	18.8.2004
drawn		B HO	SIGNED	18.8.2004
traced		B HO	SIGNED	18.8.2004
checked		D HSIUNG	SIGNED	18.8.2004

approved

SIGNED  
(N.P. TONG)  
Chief Engineer  
date: 18.8.2004

contract no. CV/2004/02

file no. PW WP/WSP0/01

project no. 5048 TF

architectural consultant  
Ivanho Architect Limited.  
何文堯建築師有限公司

contract

**RECONSTRUCTION OF WONG SHEK AND KO LAU WAN PUBLIC PIERS**

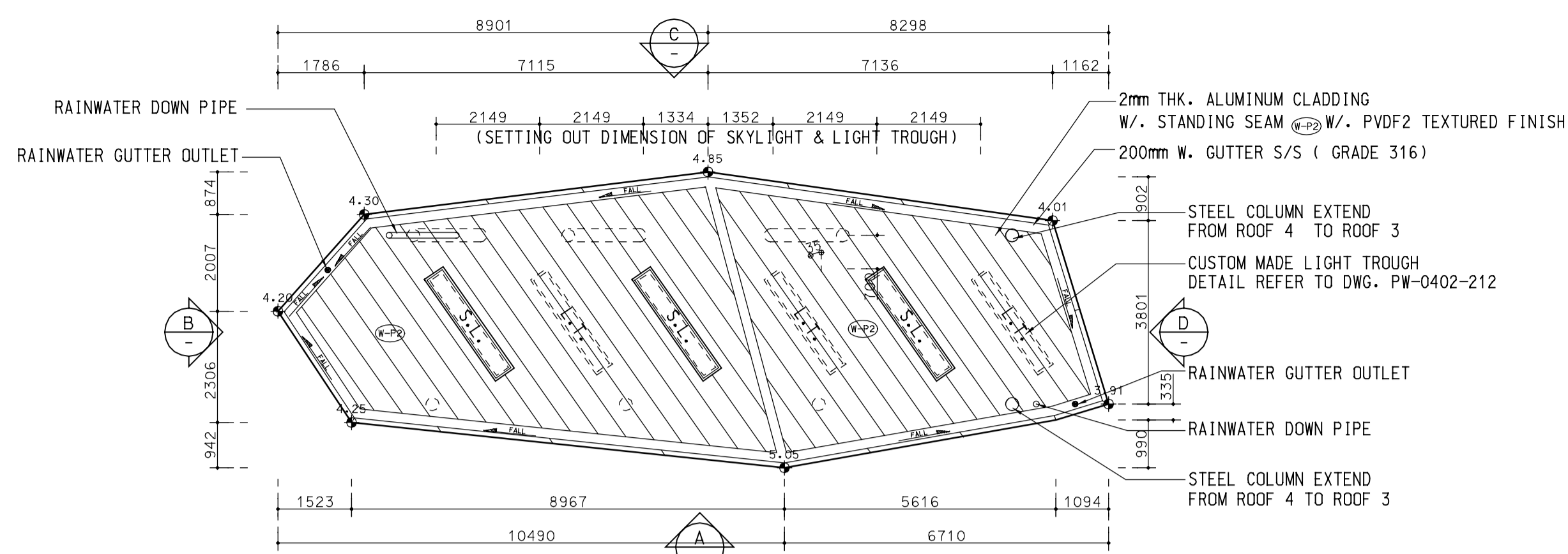
drawing title

**WONG SHEK PUBLIC PIER - ROOF 3**

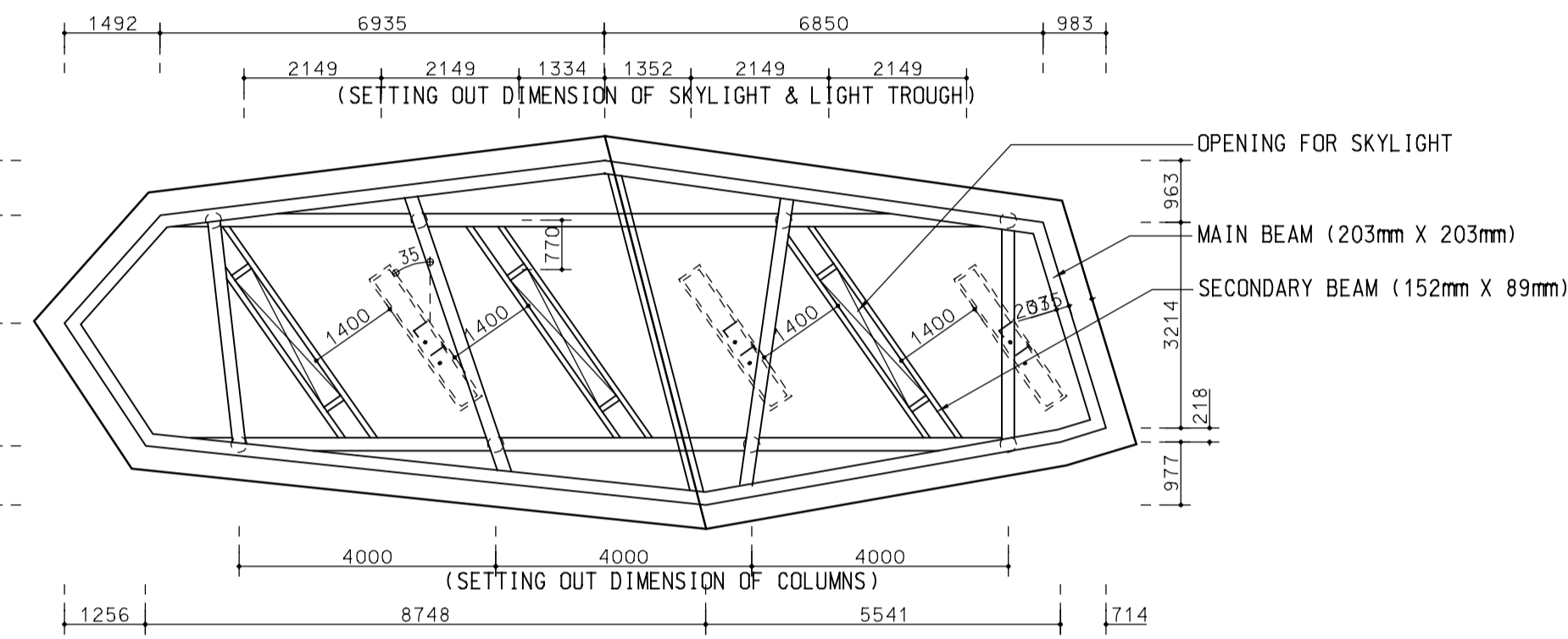
drawing no. **PW-0402-209** scale 1:100

office **PORT WORKS DIVISION  
CIVIL ENGINEERING OFFICE**

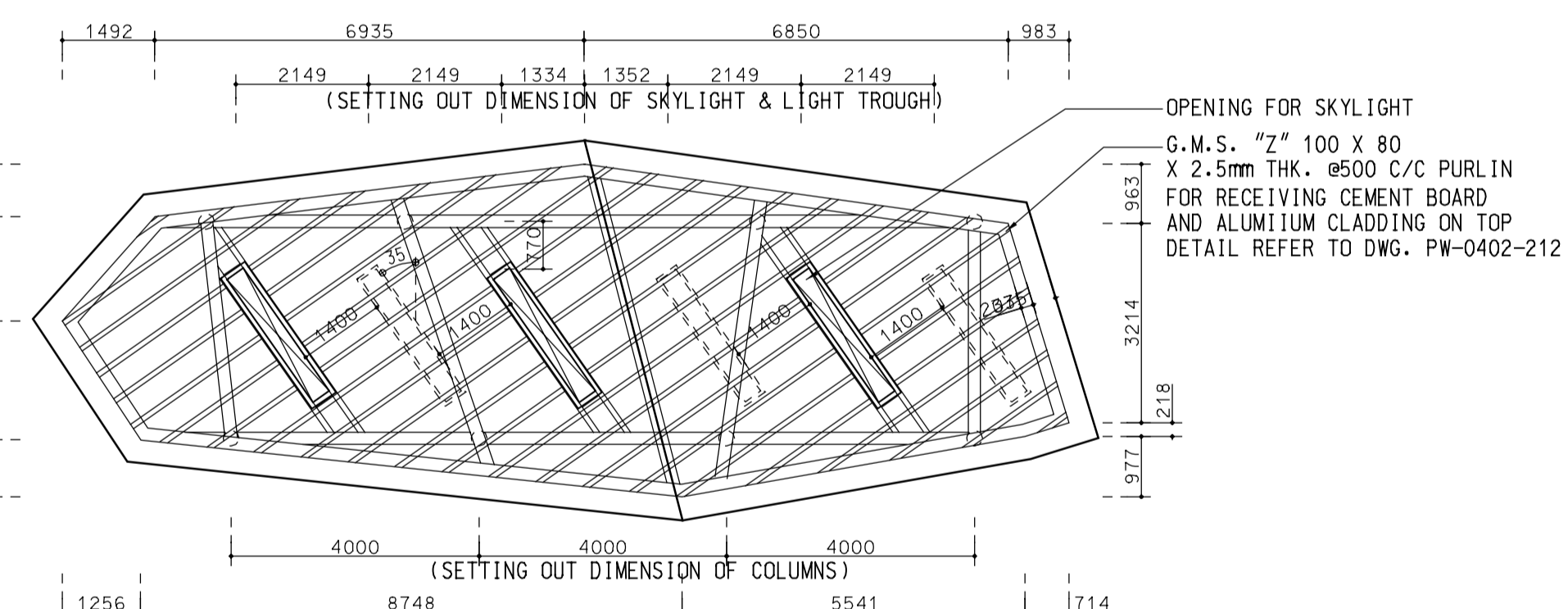
**CIVIL ENGINEERING AND DEVELOPMENT DEPARTMENT HONG KONG**



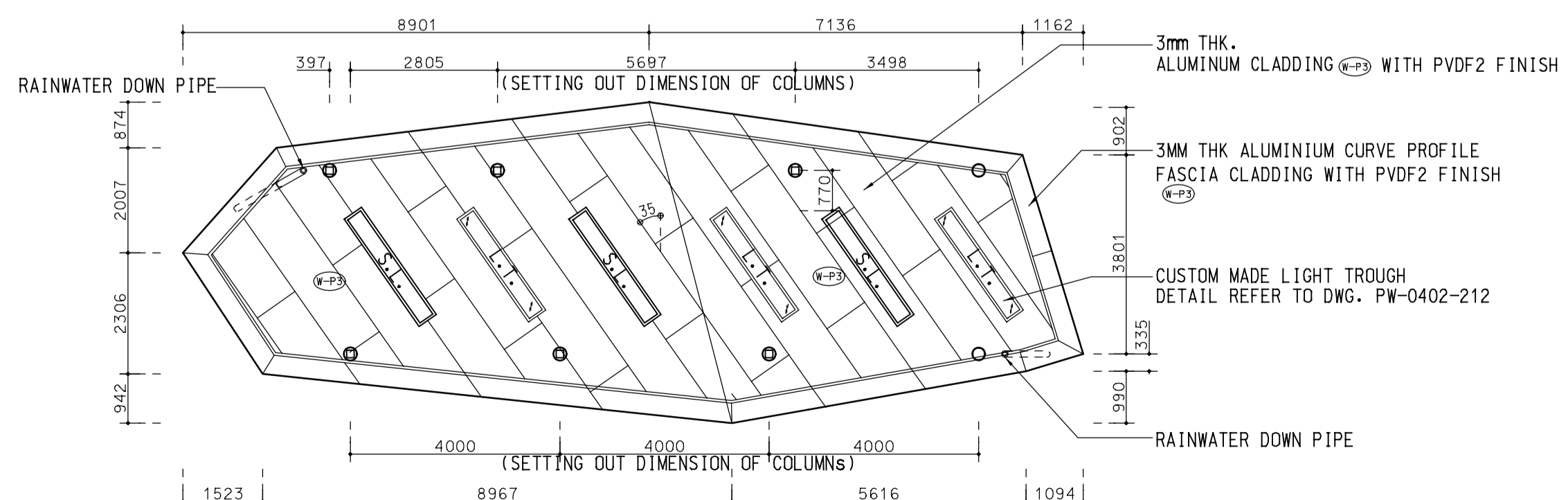
**1 ROOF PLAN**  
202 ROOF 4 1:100



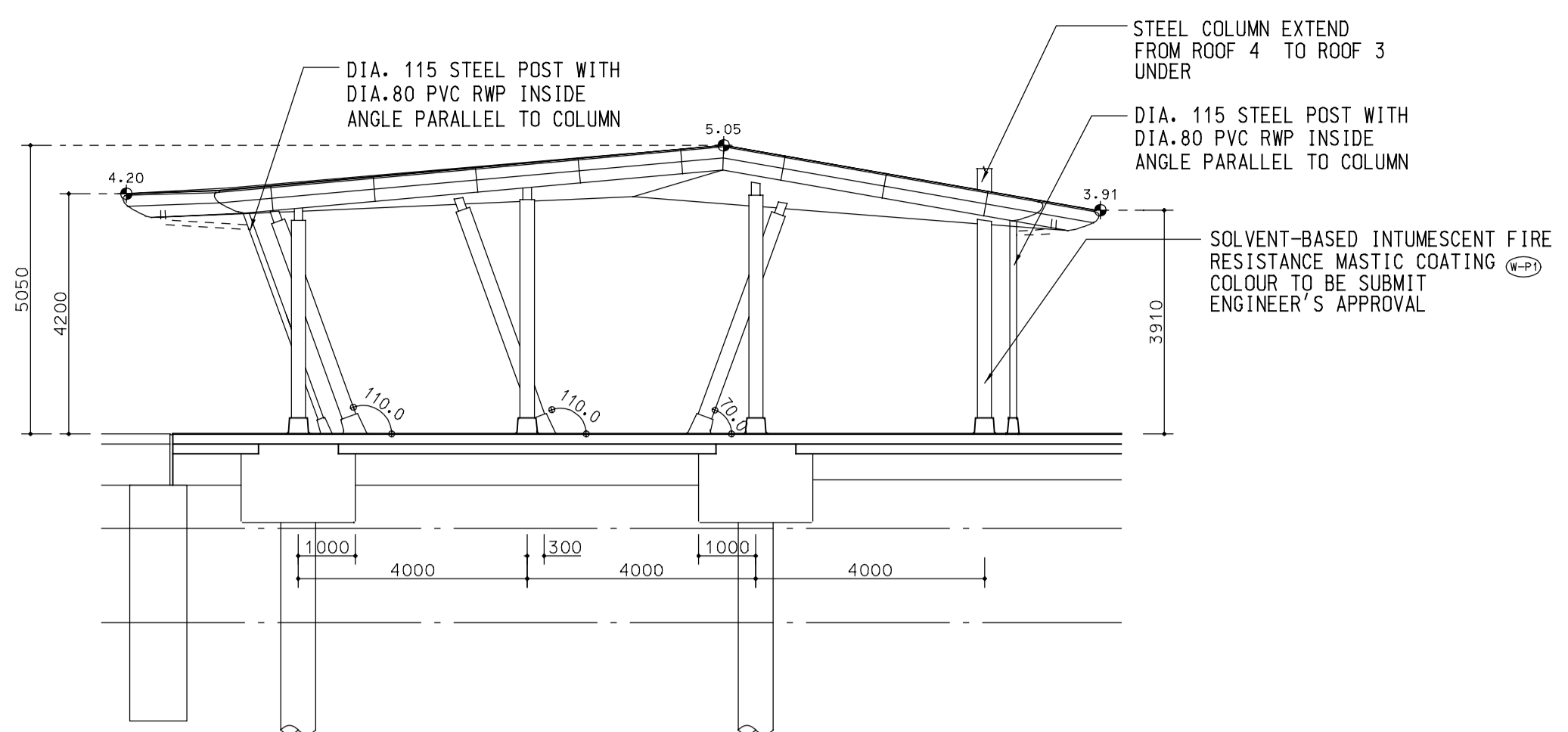
**2 MAIN STRUCTURE PLAN**  
ROOF 4 1:100  
NOTES: (ALSO REFER TO STRUCTURAL DWG. PW-0402-221)



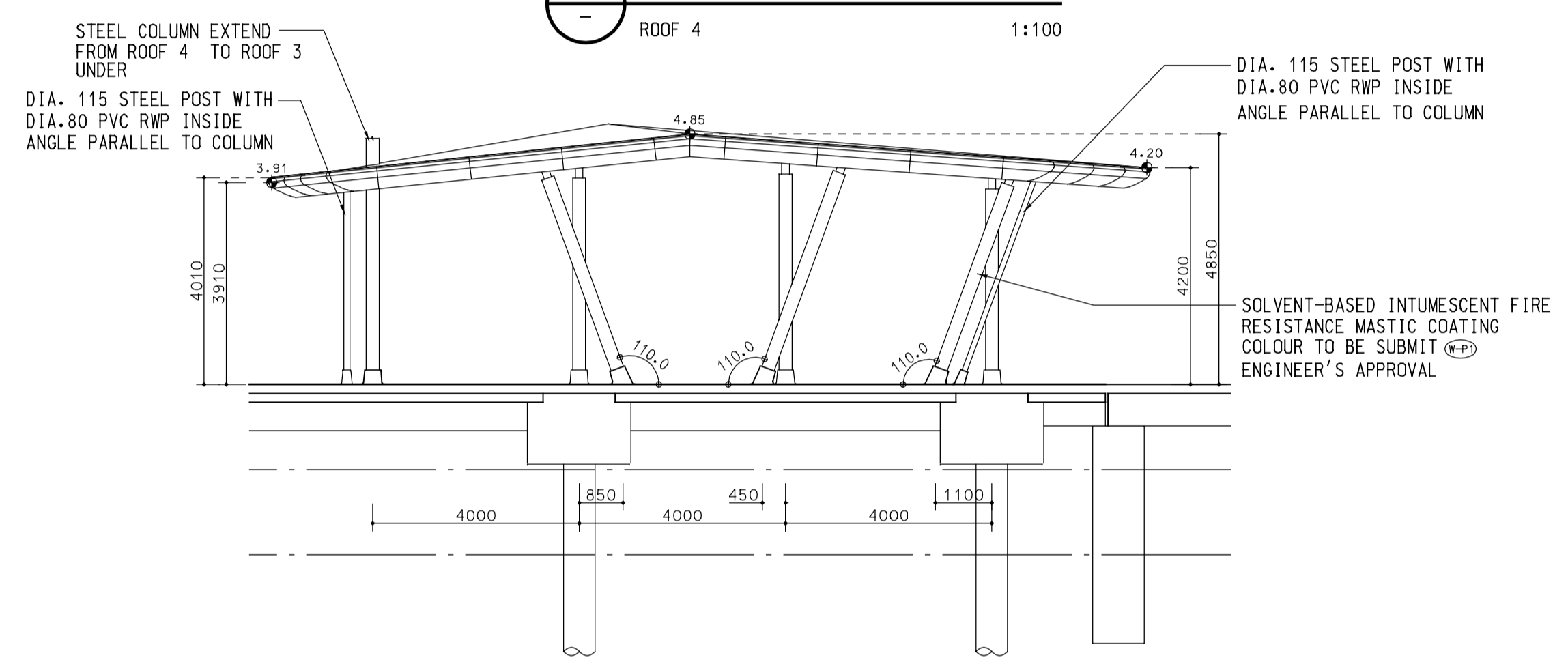
**3 PURLIN LAYOUT PLAN**  
ROOF 4 1:100



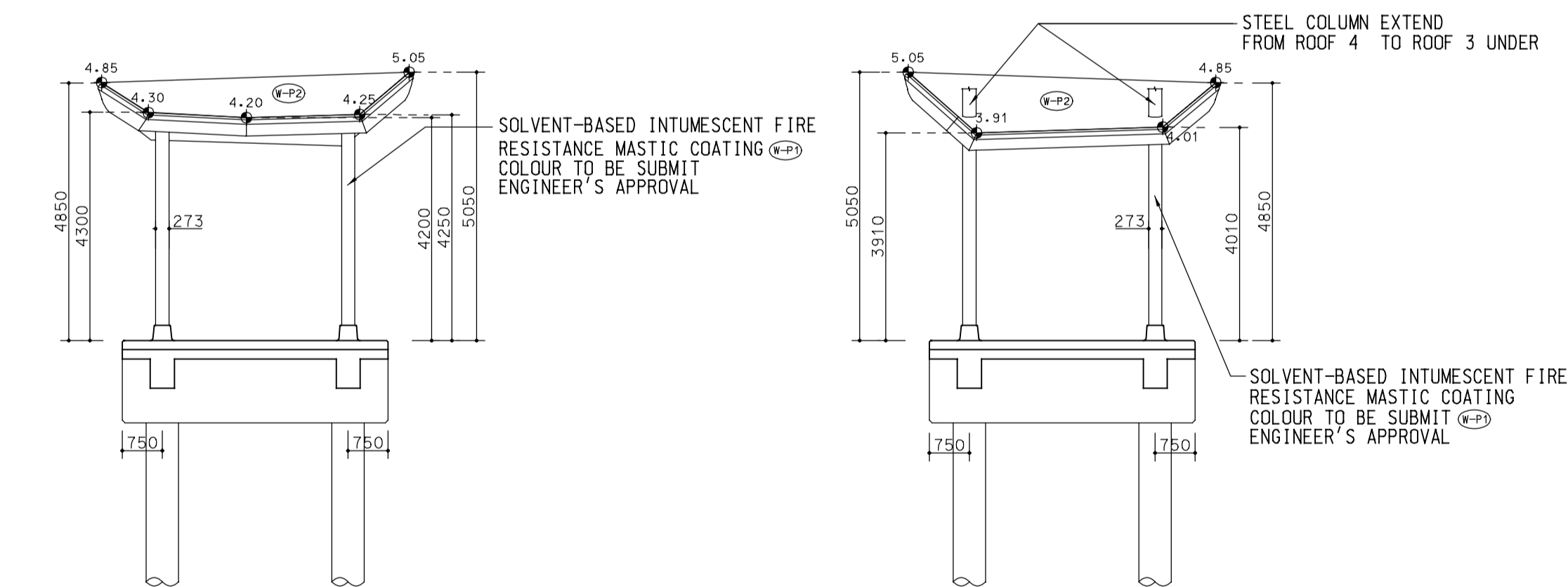
**4 REFLECTED CEILING PLAN**  
ROOF 4 1:100



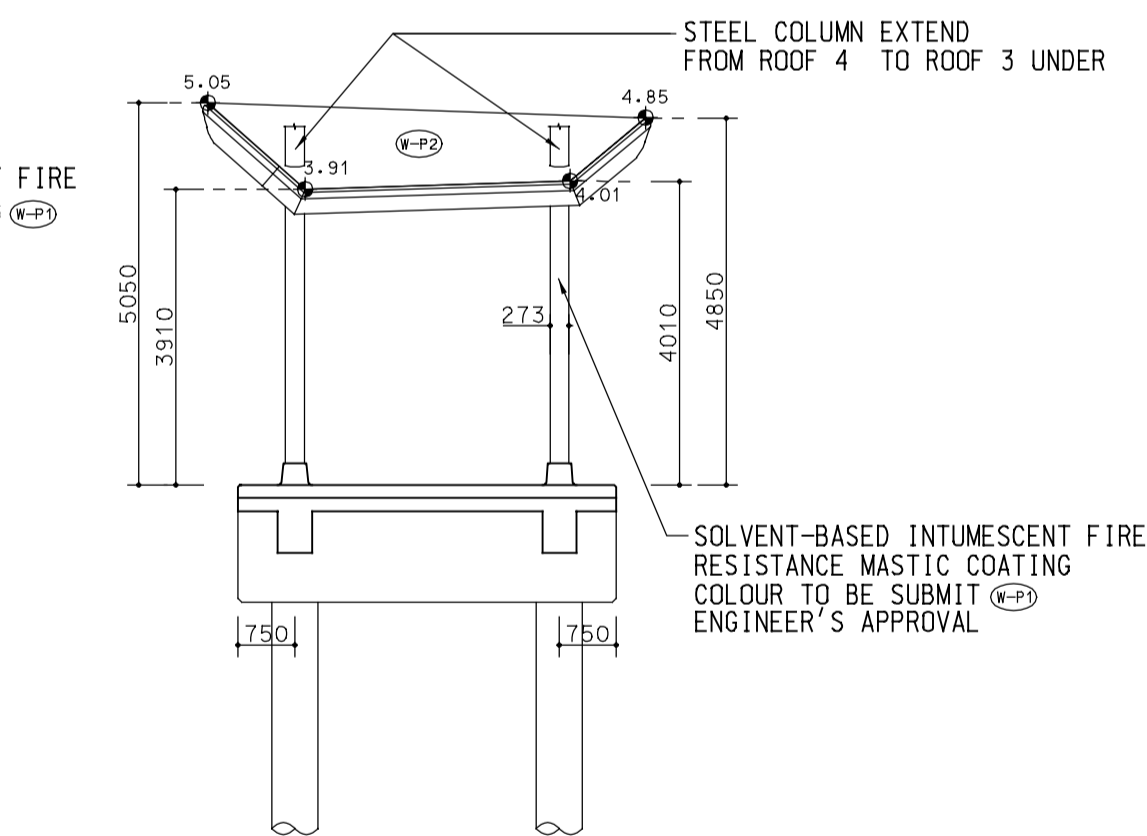
**5 ELEVATION A**  
ROOF 4 1:100



**6 ELEVATION B**  
ROOF 4 1:100



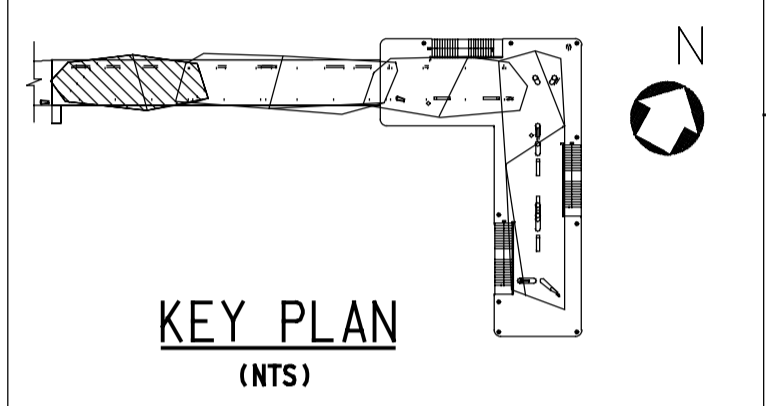
**7 ELEVATION C**  
ROOF 4 1:100



**8 ELEVATION D**  
ROOF 4 1:100

- NOTES:**
- ALL DIMENSIONS ARE IN MILLIMETRES AND TO BE VERIFIED AND CHECKED ON SITE. USE FIGURED DIMENSIONS ONLY. DO NOT SCALE THIS DRAWING.
  - SOLVENT-BASED INTUMESCENT FIRE RESISTANCE MASTIC COATING TO ALL STRUCTURAL STEEL WORK COMPLIED WITH B.S. 476 STANDARD 1 COATS OF MIO AND 1 HOUR FIRE PROTECTION. 2 COATS OF EPOXY TOP COAT BASED ON EPOXY RESIN ON TOP OR MASTIC COATING BASED ON EPOXY RESIN ON TOP OR MASTIC COATING
  - ALL LEVELS OF ROOF SHOWN ARE FINISHED LEVEL AND ARE INDICATED AS THE LEVEL IN METRES ABOVE THE STRUCTURAL DECK LEVEL.

- LEGEND:**
- L.T. : CUSTOM MADE FLUORESCENT LAMP WITH 1x28W T5 TUBE WITH ELECTRONIC BALLAST, IP65 SIZES SAME AS SKYLIGHT
  - S.L. : SKYLIGHT
  - (FP) SOLVENT-BASED INTUMESCENT FIRE RESISTANCE MASTIC COATING COLOR TO BE SUBMITTED FOR ENGINEER'S APPROVAL
  - (P2) PVDF TEXTURED COATING FINISH COLOR TO BE SUBMITTED FOR ENGINEER'S APPROVAL
  - (P3) PVDF POWDER COATING FINISH COLOR TO BE SUBMITTED FOR ENGINEER'S APPROVAL
  - ◆ FINISHED LEVEL IN METRES ABOVE STRUCTURAL DECK LEVEL. (SEE NOTES 3.)



no.	date	description	checked	approved
<b>REVISION</b>				
		name	Initial	date
designed		D HSIUNG	SIGNED	18.8.2004
drawn		B HO	SIGNED	18.8.2004
traced		B HO	SIGNED	18.8.2004
checked		D HSIUNG	SIGNED	18.8.2004

approved

SIGNED  
(N P TONG)  
Chief Engineer  
date: 18.8.2004

contract no. CV/2004/02  
file no. PW WP/WSP0/01  
project no. 5048 TF

architectural consultant  
**Ivanho Architect Limited.**  
何文堯建築師有限公司

contract

**RECONSTRUCTION OF WONG SHEK AND KO LAU WAN PUBLIC PIERS**

drawing title

**WONG SHEK PUBLIC PIER - ROOF 4**

drawing no. **PW-0402-210** scale 1:100

office

PORT WORKS DIVISION  
CIVIL ENGINEERING OFFICE

CIVIL ENGINEERING AND DEVELOPMENT DEPARTMENT  
HONG KONG



*Ivanho Architect Limited*

**Preliminary Design Report  
Consultancy Agreement No. TS 2/2003**

---

**New Wong Shek Public Pier**

