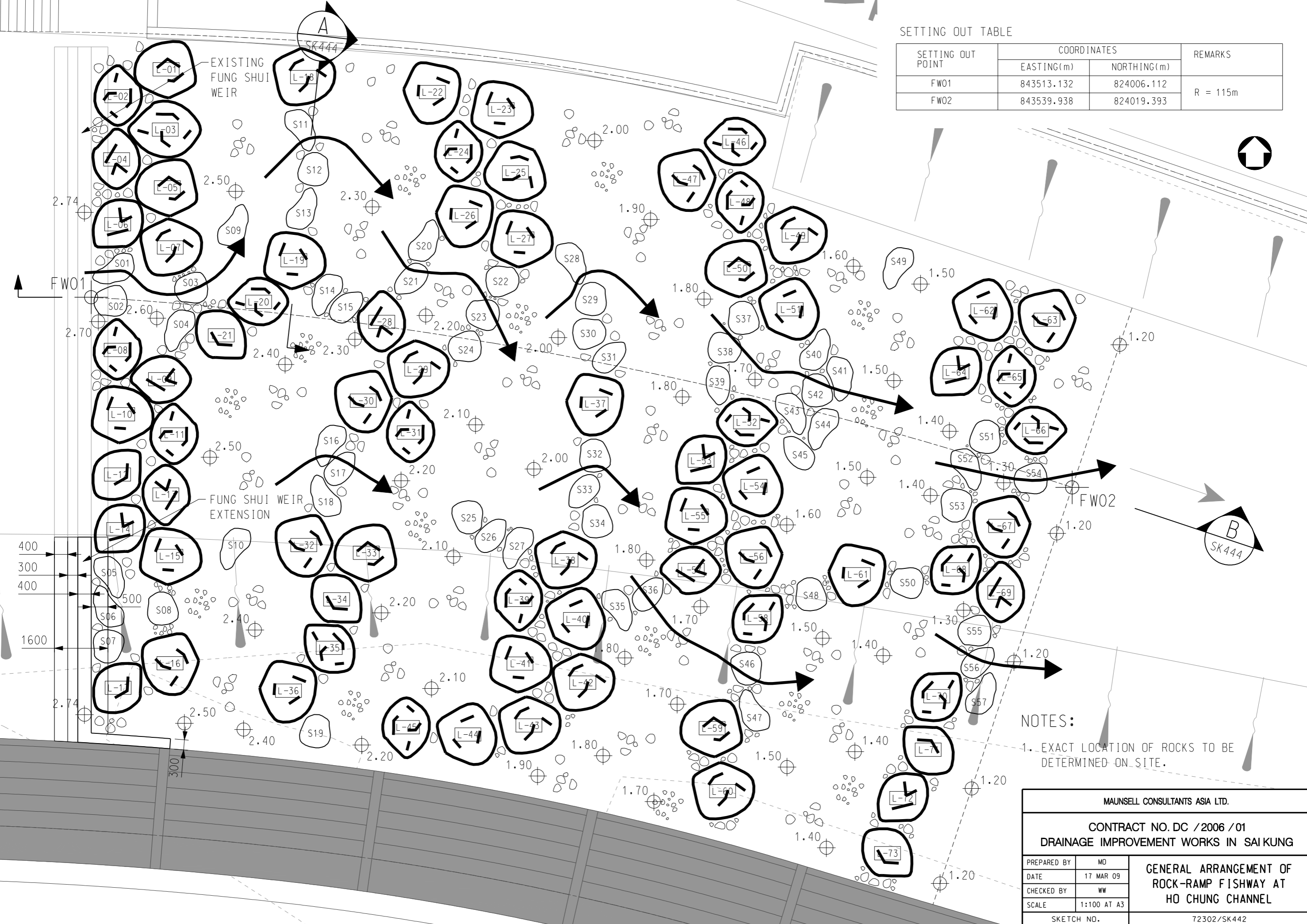


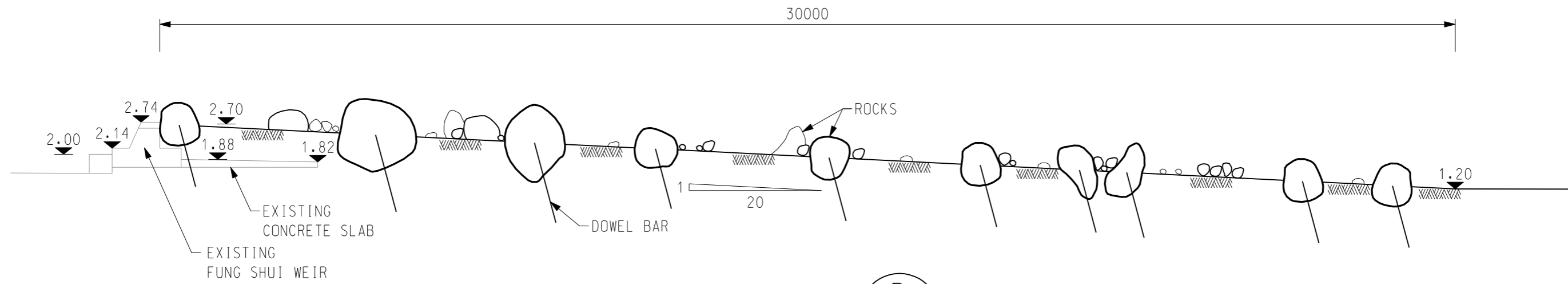
SETTING OUT TABLE

SETTING OUT POINT	COORDINATES		REMARKS
	EASTING(m)	NORTHING(m)	
FW01	843513.132	824006.112	R = 115m
FW02	843539.938	824019.393	

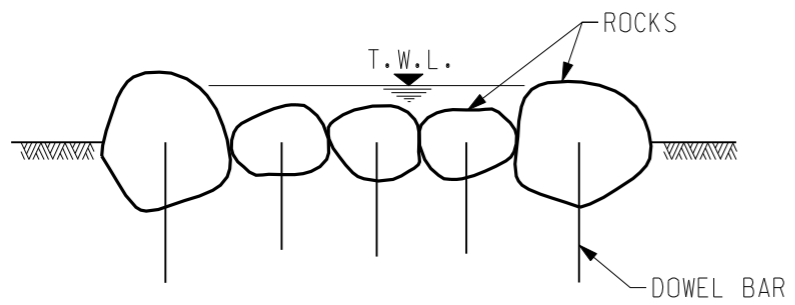


NOTES:
 1. EXACT LOCATION OF ROCKS TO BE DETERMINED ON SITE.

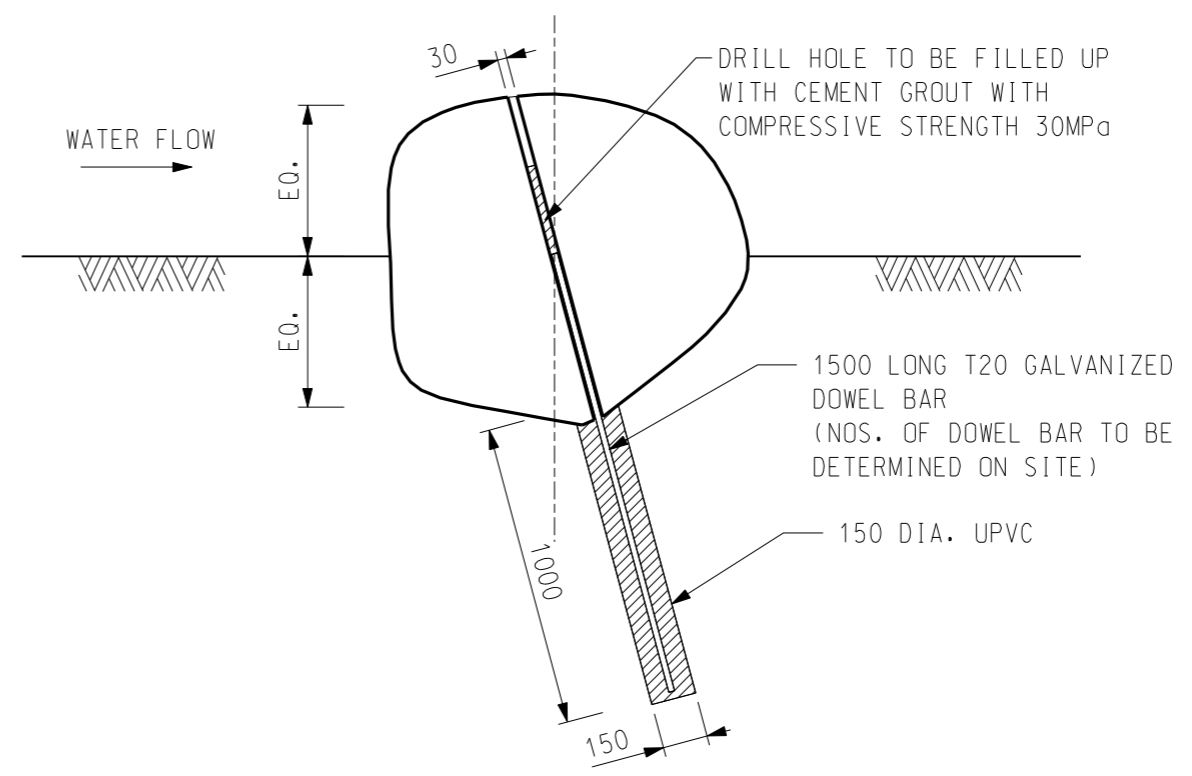
MAUNSELL CONSULTANTS ASIA LTD.		
CONTRACT NO. DC /2006 /01 DRAINAGE IMPROVEMENT WORKS IN SAI KUNG		
PREPARED BY	MO	GENERAL ARRANGEMENT OF ROCK-RAMP FISHWAY AT HO CHUNG CHANNEL
DATE	17 MAR 09	
CHECKED BY	WW	
SCALE	1:100 AT A3	
SKETCH NO.		72302/SK442



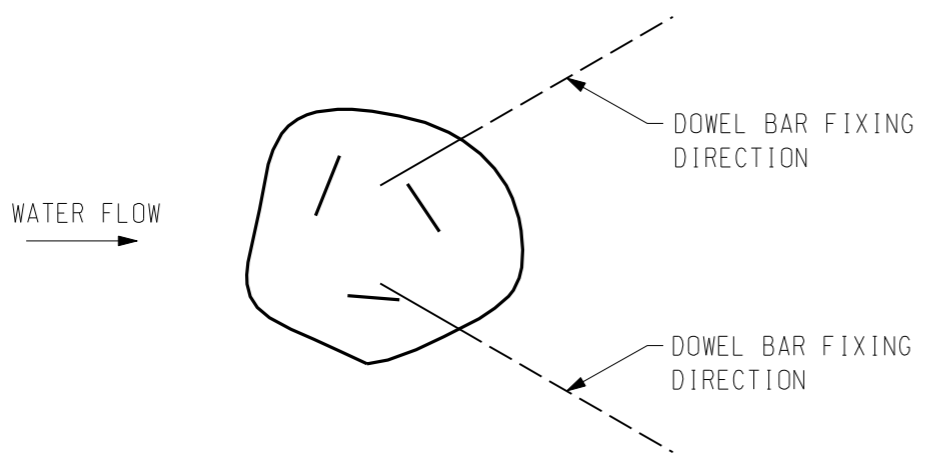
SECTION B
SCALE 1:100
SK442



SECTION A
SCALE 1:100
SK442



TYPICAL FIXING DETAILS
SCALE 1:25



PLAN OF ROCK FIXING
N.T.S.

MAUNSELL CONSULTANTS ASIA LTD.		
CONTRACT NO. DC /2006 /01 DRAINAGE IMPROVEMENT WORKS IN SAI KUNG		
PREPARED BY	MO	TYPICAL SECTION OF ROCK-RAMP FISHWAY AT HO CHUNG CHANNEL
DATE	17 MAR 09	
CHECKED BY	WW	
SCALE	AS SHOWN AT A3	
SKETCH NO.		72302/SK444

A schematic diagram to show a possible design of fish ladder

