

ARB Mr. Inagi.

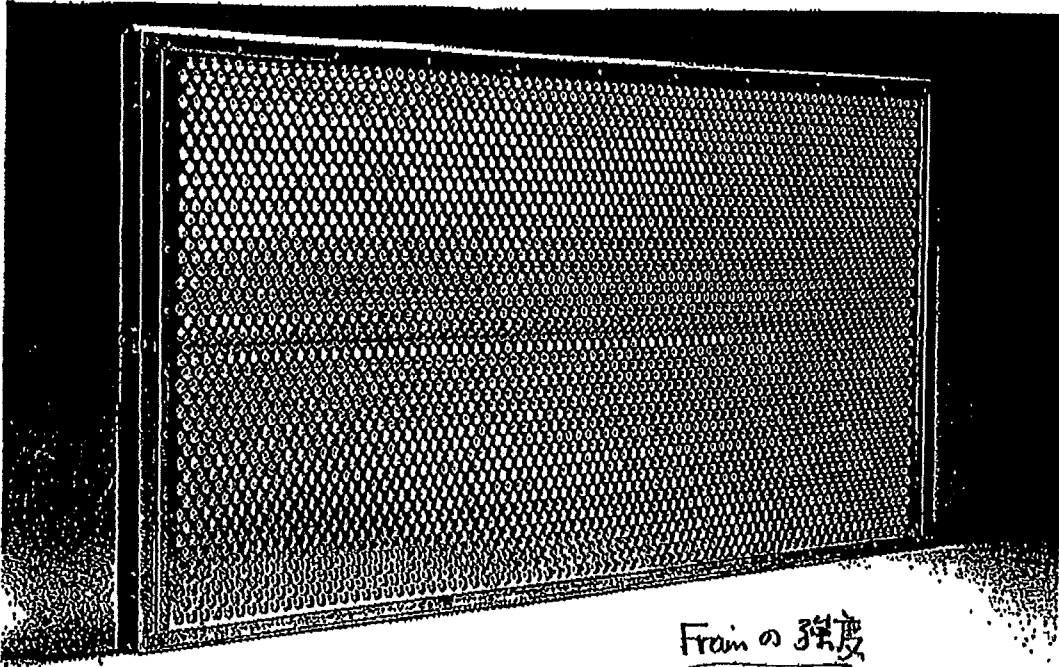
P式パネル P-60型・100型

標準寸法 P-60型 : 60×1000×1970

P-100型 : 100×1000×1960

P-60型は、透過損失44dB(1KHz)の性能をもつ標準型(常備在庫品)であらゆる用途に適合します。P-100型は、さらに低周波域の吸音性を良くする為に空気層を設けてあります。

P-60、100型共軽量で、H柄に落とし込み、ボルトで押すだけで簡単に取付けが出来ます。



Frameの強度

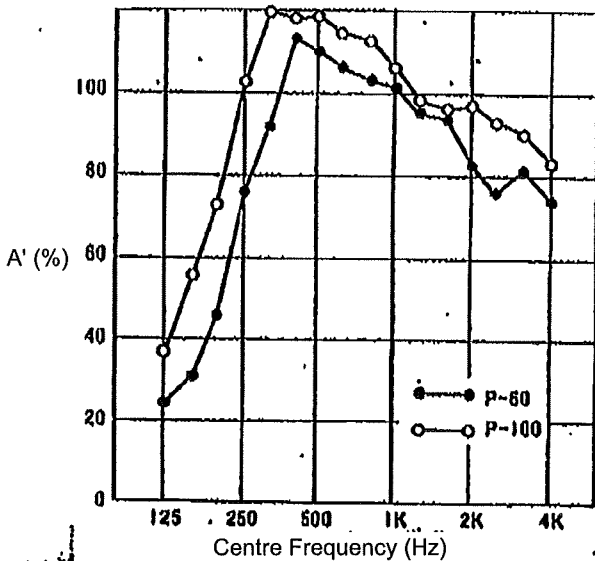
Capacity for acoustic absorptivity

measured by Tokyo Metropolitan Industrial Technology Research Institute

Frequency (Hz)	128	160	200	250	320	400	500	630
A for P-60	0.25	0.33	0.48	0.78	0.92	1.10	1.09	1.07
A for P-100	0.39	0.57	0.71	1.02	1.17	1.16	1.16	1.10

Frequency (Hz)	800	1 K	1.25K	1.6K	2 K	2.5K	3.2K	4 K
A for P-60	1.03	1.02	0.95	0.91	0.83	0.79	0.81	0.76
A for P-100	1.08	1.04	0.97	0.94	0.96	0.92	0.88	0.92

A : Sound Absorption Coefficients



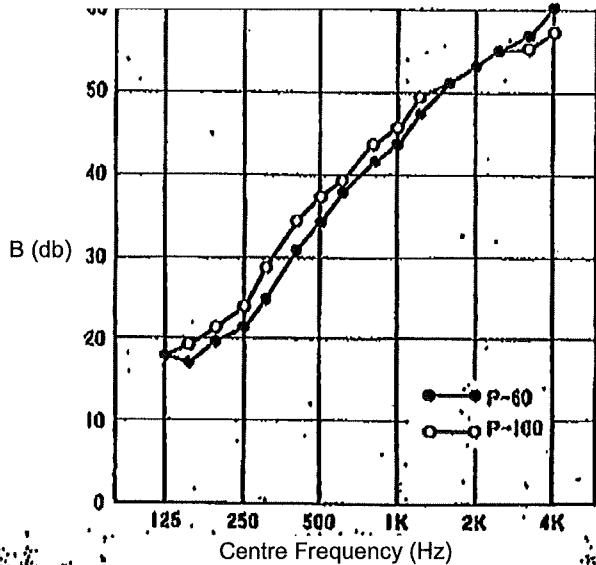
Capacity for sound insulation

measured by Tokyo Metropolitan Industrial Technology Research Institute

Frequency (Hz)	125	160	200	250	320	400	500	630
B for P-60	18	17	20	22	25	31	34	38
B for P-100	18	19	21	24	28	33	37	39

Frequency (Hz)	800	1 K	1.25K	1.6K	2 K	2.5K	3.2K	4 K
B for P-60	42	44	48	51	53	55	57	60
B for P-100	43	45	49	51	53	55	56	57

B : Sound transmission loss



A' : Sound Absorption Coefficients in a Reverberation Room

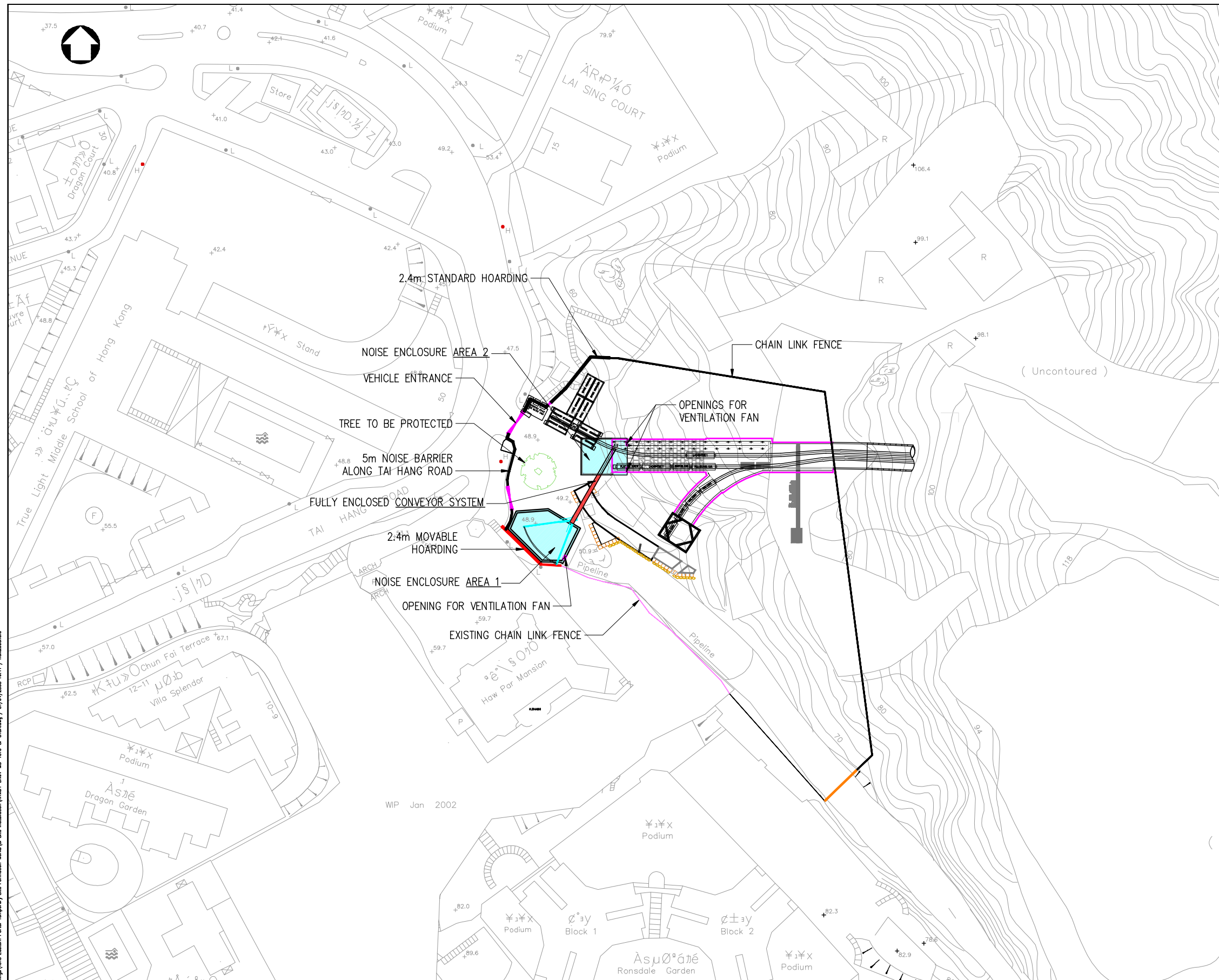
CERTIFIED WORKING DRAWING

Please Tick YES NO

ICE Name :

Date of Certification :

(Put Chop Here) Signature _____



- NOTES:**
- FOR DESIGN DETAILS OF NOISE ENCLOSURE AREA1 AND AREA 2, REFER TO DWG. No. HKWDT/DNJV/MD/1010/SI/019A & 020A.
 - FOR DESIGN DETAILS OF FULLY ENCLOSED CONVEYOR SYSTEM, REFER TO DWG. No. HKWDT/DNJV/MD/1010/SI/075A.

C:\w - Technical\02-Method\Change\1010 Eastern Portal Temporary Site Formation Work\SI Site Installation\KWB\1010-SI-018A.dwg / 01/04/2008 16:11 / mchshu@h

REV	DATE	BY	DESCRIPTION
A	01/02/08	PCA	FIRST ISSUE

DESIGNED BY PCh
 DRAWN BY NBu
 CHECKED BY BKl
 IN CHARGE PCA
 DATE 01FEB08

MAIN CONTRACTOR:

Dragages-Nishimatsu Joint Venture

CONTRACTOR'S DESIGNER:

MAUNSELL | AECOM

CLIENT:

Drainage Services Department

CONSULTANT:

ARUP

PROJECT TITLE:
 Contract no.DC/2007/10
 Design and Construction
 of
Hong Kong West Drainage Tunnel

DRAWING TITLE:
**NOISE ENCLOSURE DESIGN PLAN
 AT EASTERN PORTAL**

DRAWING REFERENCE NUMBER: HKWDT/DNJV/MD/1010/SI/018		REV. A
DRAWING STATUS: FOR APPROVAL	SCALE: 1:1000	
CADD FILENAME: HKWDT-DNJV-MD-1010-SI-018A	SHEET No. 1 OF 1	

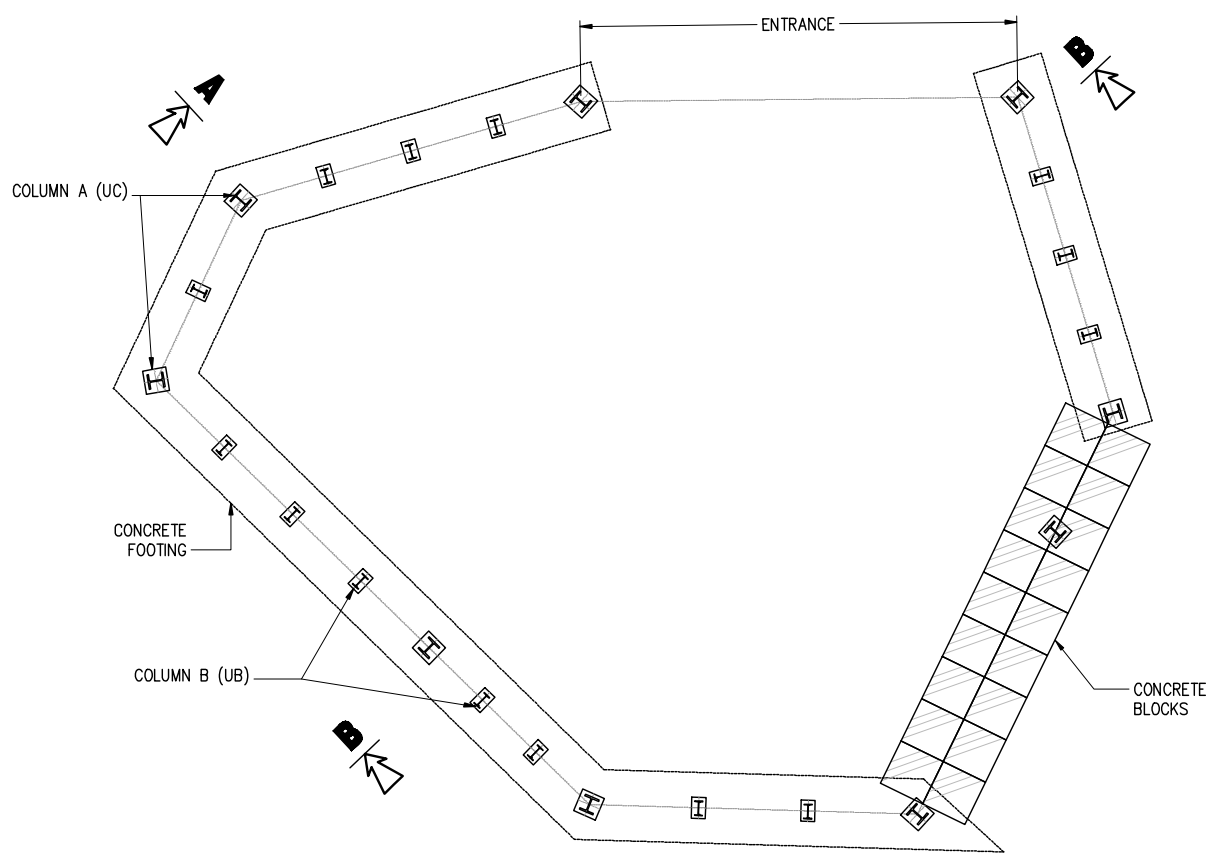
CERTIFIED WORKING DRAWING

Please Tick YES NO

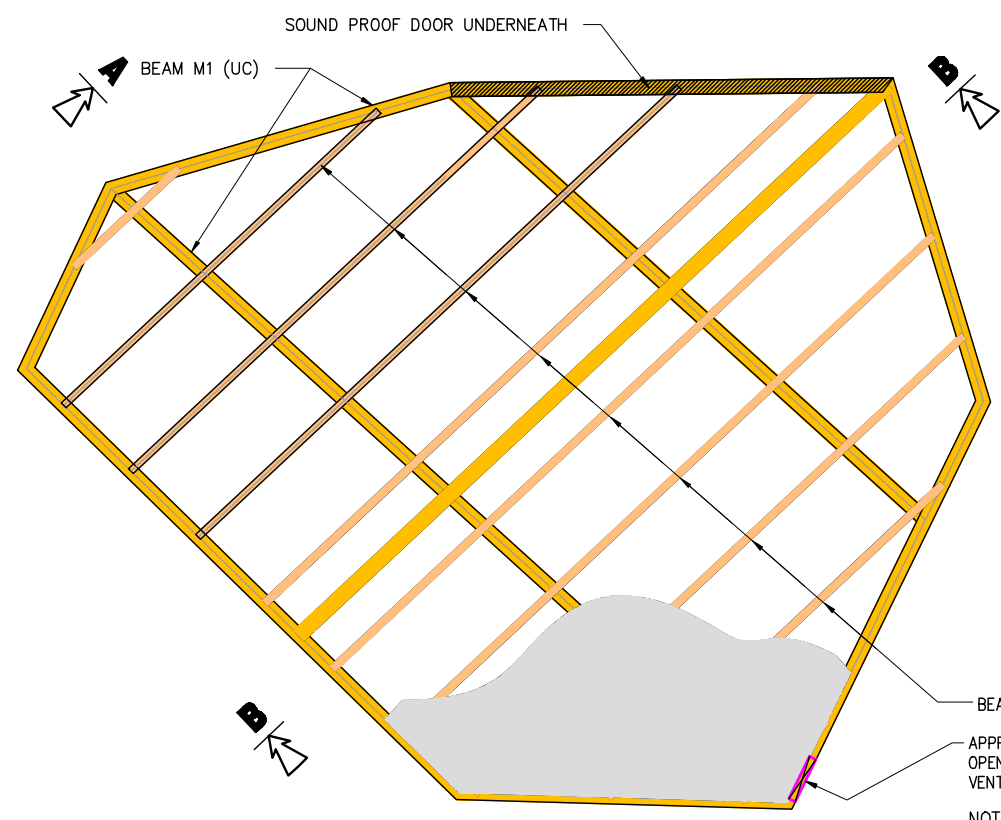
ICE Name : _____

Date of Certification : _____

(Put Chop Here) _____ Signature _____

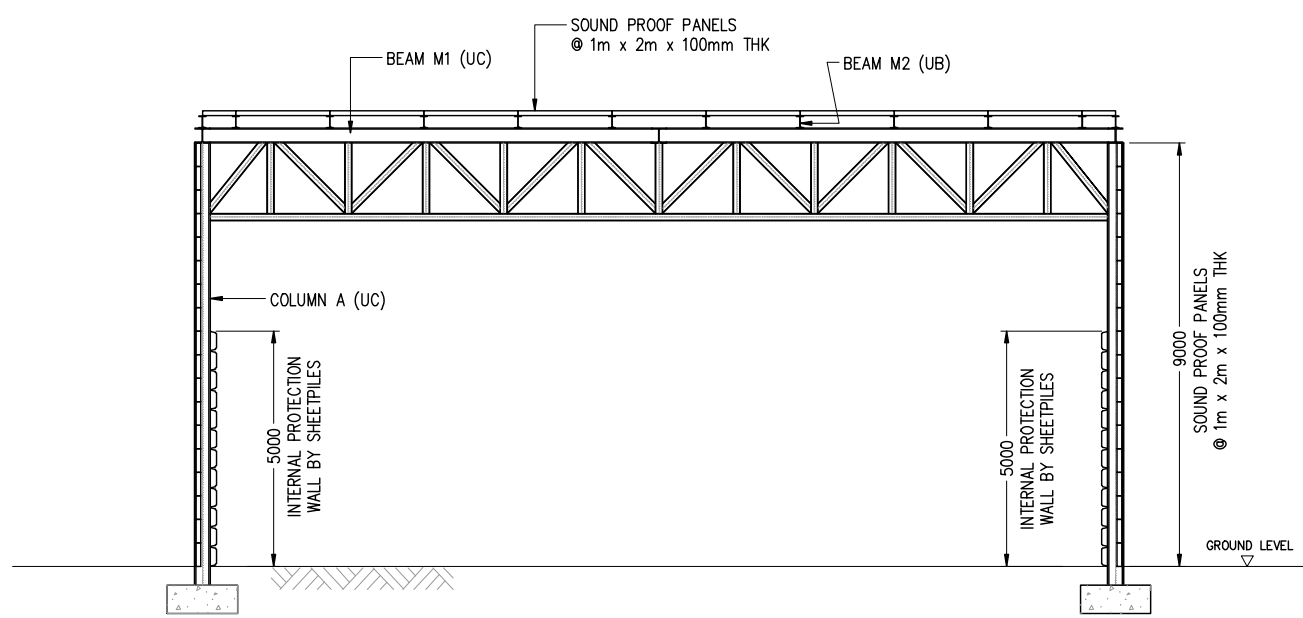


NOISE ENCLOSURE PLAN OF AREA 1

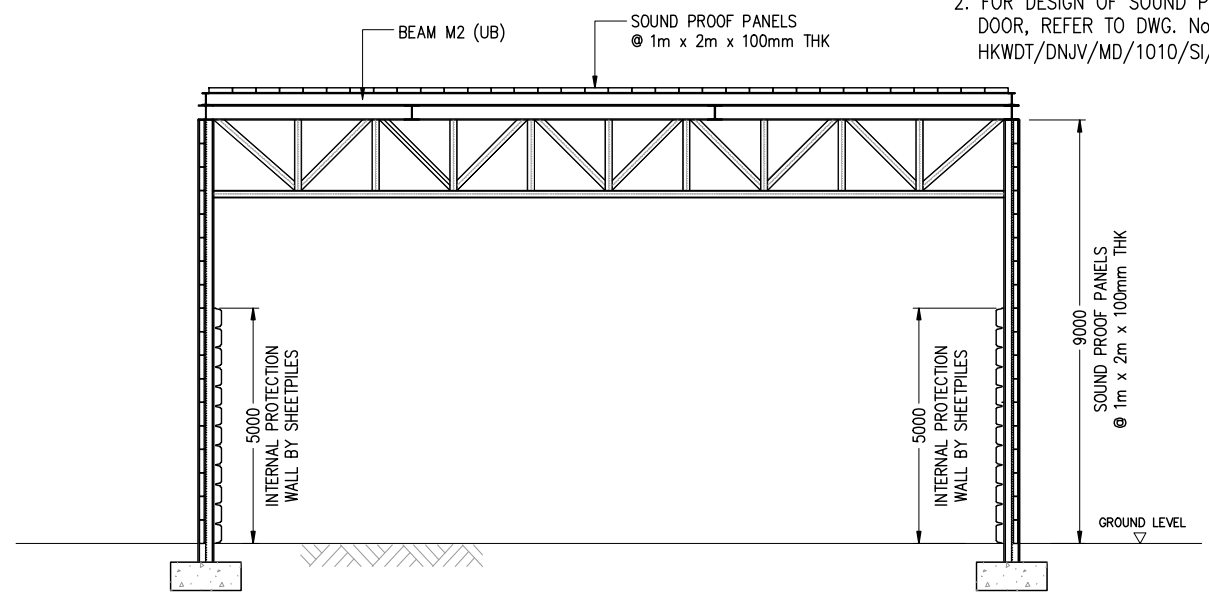


ROOF PLAN OF AREA 1

- NOTES:**
1. ALL SOUND PROOF PANELS TO BE TYPE P-100 FROM ASAHI KANKYO LTD. OR EQUIVALENT AND THE TRANSMISSION LOSS OF THE SELECTED MATERIAL IS BETTER THAN OR EQUIVALENT TO THE SPECIFIED MATERIAL WITH SUPERFICIAL SURFACE DENSITY OF AT LEAST 10kg/m².
 2. FOR DESIGN OF SOUND PROOF DOOR, REFER TO DWG. No. HKWDT/DNJV/MD/1010/SI/076A.



SECTION A-A



SECTION B-B

C:\VA - Technical\02-Method\Drawings\010 Eastern Portal Temporary Site Formation Works\3 Site Installation\KWB\1010-1010-S-018A.dwg / 01/04/2008 10:05 / wsl/bunard

DESIGNED BY: PCh DRAWN BY: NBu CHECKED BY: BKl IN CHARGE: PCA DATE: 01FEB08		MAIN CONTRACTOR: 		CONTRACTOR'S DESIGNER: 		CLIENT: 		CONSULTANT: 		PROJECT TITLE: Contract no.DC/2007/10 Design and Construction of Hong Kong West Drainage Tunnel		DRAWING TITLE: NOISE ENCLOSURE DESIGN PLAN DESIGN DETAILS FOR AREA 1		DRAWING REFERENCE NUMBER: HKWDT/DNJV/MD/1010/SI/019		REV. A
A 01/02/08 PCA FIRST ISSUE										Contract no.DC/2007/10 Design and Construction of Hong Kong West Drainage Tunnel		NOISE ENCLOSURE DESIGN PLAN DESIGN DETAILS FOR AREA 1		DRAWING STATUS: FOR APPROVAL		SCALE: 1:125
REV DATE BY DESCRIPTION		Dragages-Nishimatsu Joint Venture		MAUNSELL AECOM		Drainage Services Department		ARUP		Contract no.DC/2007/10 Design and Construction of Hong Kong West Drainage Tunnel		NOISE ENCLOSURE DESIGN PLAN DESIGN DETAILS FOR AREA 1		CADD FILENAME: HKWDT-DNJV-MD-1010-SI-018A		SHEET No. 1 OF 1

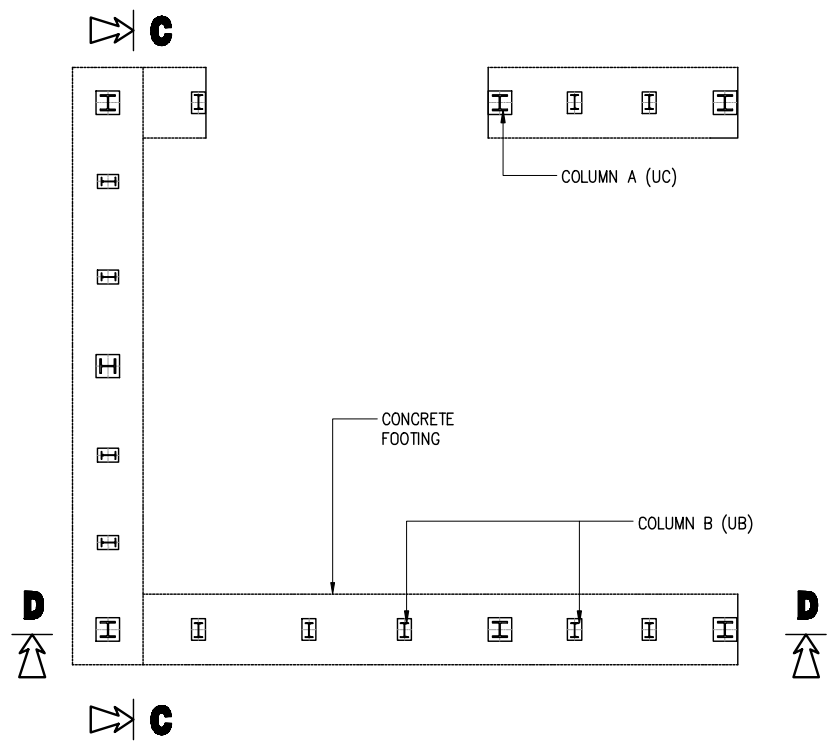
CERTIFIED WORKING DRAWING

Please Tick YES NO

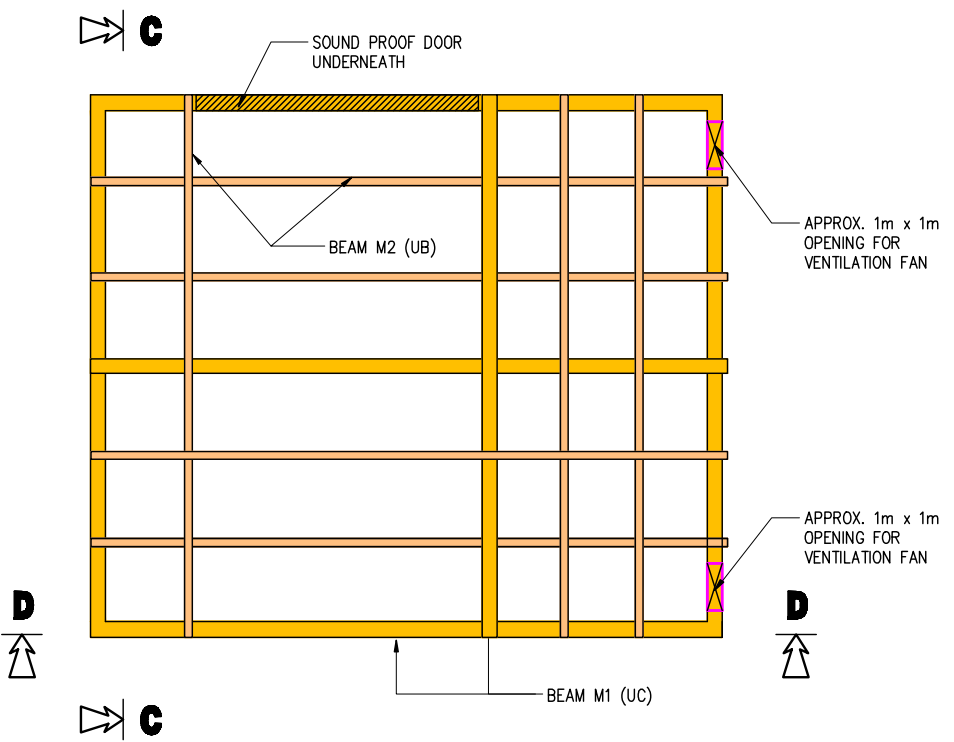
ICE Name :

Date of Certification :

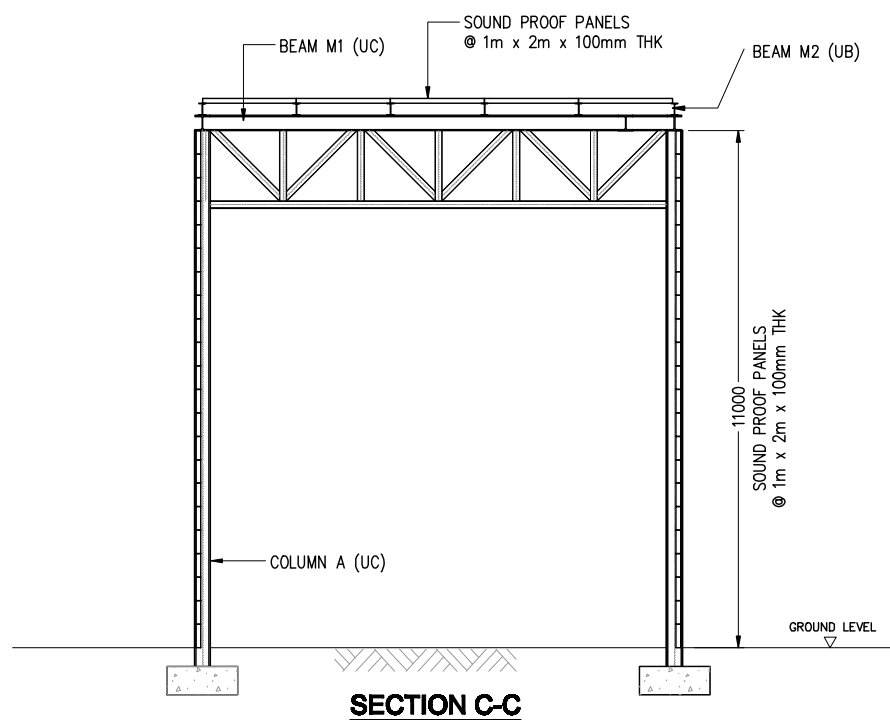
(Put Chop Here) Signature _____



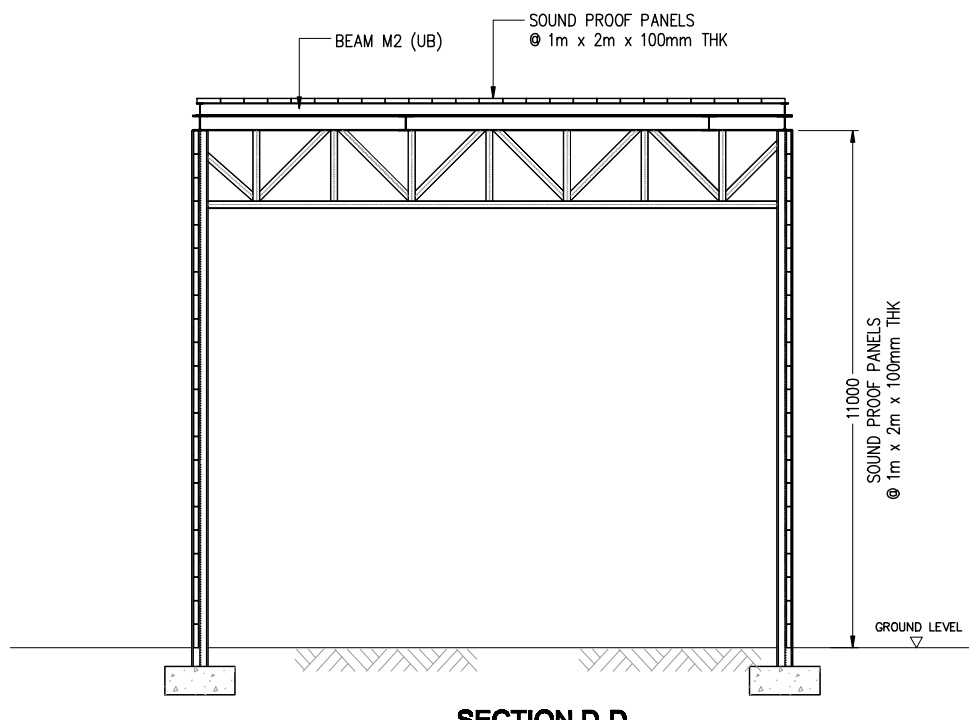
NOISE ENCLOSURE PLAN OF AREA 2



ROOF PLAN OF AREA 2



SECTION C-C



SECTION D-D

- NOTES:**
- ALL SOUND PROOF PANELS TO BE TYPE P-100 FROM ASAHI KANKYO LTD. OR EQUIVALENT AND THE TRANSMISSION LOSS OF THE SELECTED MATERIAL IS BETTER THAN OR EQUIVALENT TO THE SPECIFIED MATERIAL WITH SUPERFICIAL SURFACE DENSITY OF AT LEAST 10kg/m².
 - FOR DESIGN OF SOUND PROOF DOOR, REFER TO DWG. No. HKWDT/DNJV/MD/1010/SI/076A.

C:\VA - Technical\02-Method\Drawings\0103 Eastern Portal Temporary Site Formation Works\3.5m Installation\KWB-T-DNJV-MD-1010-SI-018A.dwg / 01/04/2008 16:07 / nls.burand

DESIGNED BY: PCh		MAIN CONTRACTOR:		CONTRACTOR'S DESIGNER:		CLIENT:		CONSULTANT:		PROJECT TITLE:		DRAWING TITLE:		DRAWING REFERENCE NUMBER:		REV.	
DRAWN BY: NBU		Dragages-Nishimatsu Joint Venture		MAUNSELL AECOM		Drainage Services Department		ARUP		Contract no.DC/2007/10 Design and Construction of Hong Kong West Drainage Tunnel		NOISE ENCLOSURE DESIGN PLAN DESIGN DETAILS FOR AREA 2		HKWDT/DNJV/MD/1010/SI/020		A	
CHECKED BY: BKI														DRAWING STATUS:		SCALE:	
IN CHARGE: PCA														FOR APPROVAL		1:150	
DATE: 01FEB08														CADD FILENAME:		SHEET No.	
														HKWDT-DNJV-MD-1010-SI-018A		1 OF 1	

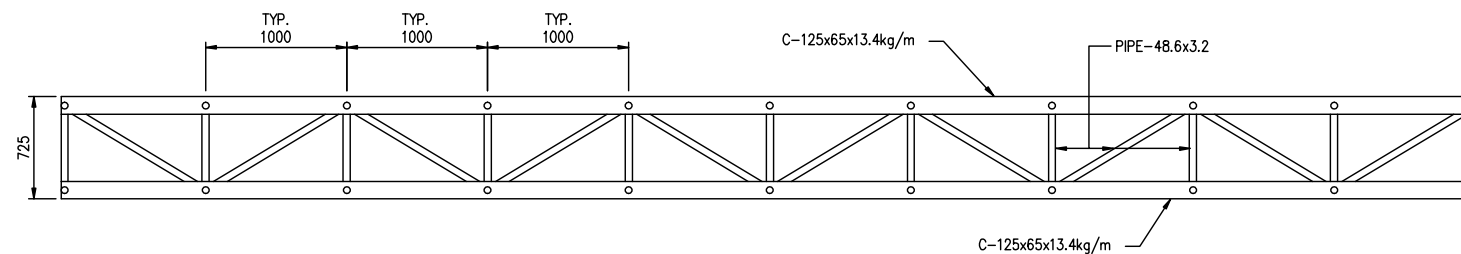
CERTIFIED WORKING DRAWING

Please Tick YES NO

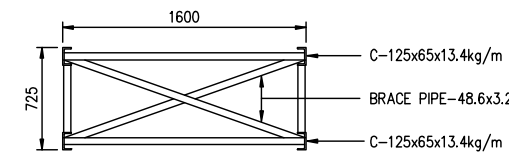
ICE Name :

Date of Certification :

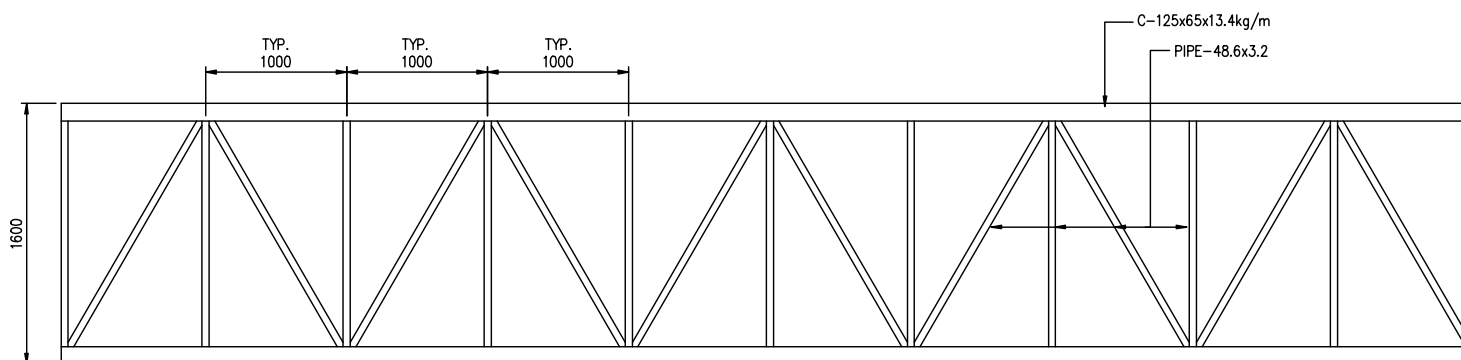
(Put Chop Here) Signature _____



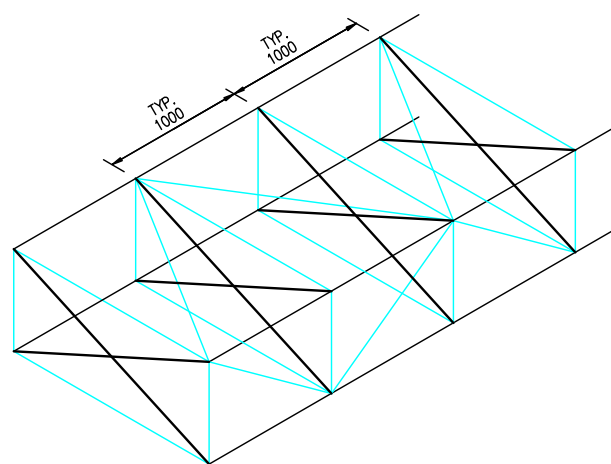
ELEVATION FOR SUPPORT FRAME



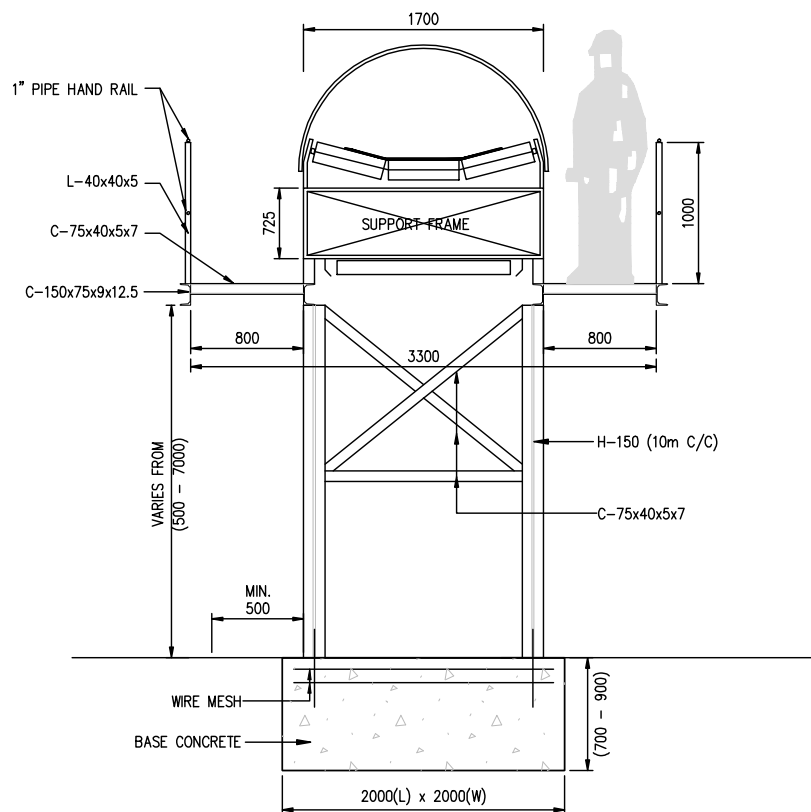
SECTION A - A



PLAN FOR TOP FRAME
(NOTE: SIMILAR FOR BOTTOM FRAME)



ISOMETRIC VIEW



TYPICAL SECTION OF FULLY ENCLOSED CONVEYOR SYSTEM

C:\VA - Technical\02-Method\Drawings\100 Eastern Portal Temporary Site Formation Works\3 Site Installation\KMBT-DNJV-MD-1010-SI-075A.dwg / 01/04/2008 16:12 / nellibunorf

DESIGNED BY PCh		MINI CONTRACTOR:		CONTRACTOR'S DESIGNER:		CLIENT:		CONSULTANT:		PROJECT TITLE:		DRAWING TITLE:		DRAWING REFERENCE NUMBER:		REV.	
DRAWN BY NBu				MAUNSELL AECOM						Contract no.DC/2007/10 Design and Construction of Hong Kong West Drainage Tunnel		EASTERN PORTAL TYPICAL DETAIL OF FULLY ENCLOSED CONVEYOR SYSTEM		HKWDT/DNJV/MD/1010/SI/075		A	
CHECKED BY BKI														DRAWING STATUS:		SCALE:	
IN CHARGE PCA														FOR APPROVAL		1:50	
DATE		DATE		DATE		DATE		DATE		DATE		DATE		CADD FILENAME:		SHEET No.	
27/03/08		27MAR08		27MAR08		27MAR08		27MAR08		27MAR08		27MAR08		HKWDT-DNJV-MD-1010-SI-075A		1 OF 1	

THE OWNERSHIP OF THE COPYRIGHT IN THIS DRAWING IS RETAINED BY THE ISSUER WHOSE CONSENT MUST BE OBTAINED BEFORE ANY USE OR REPRODUCTION OF THE DRAWING OR ANY PART THEREOF CAN BE MADE.

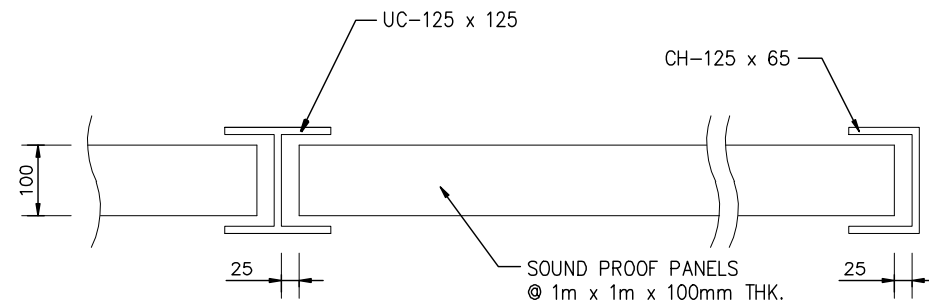
CERTIFIED WORKING DRAWING

Please Tick YES NO

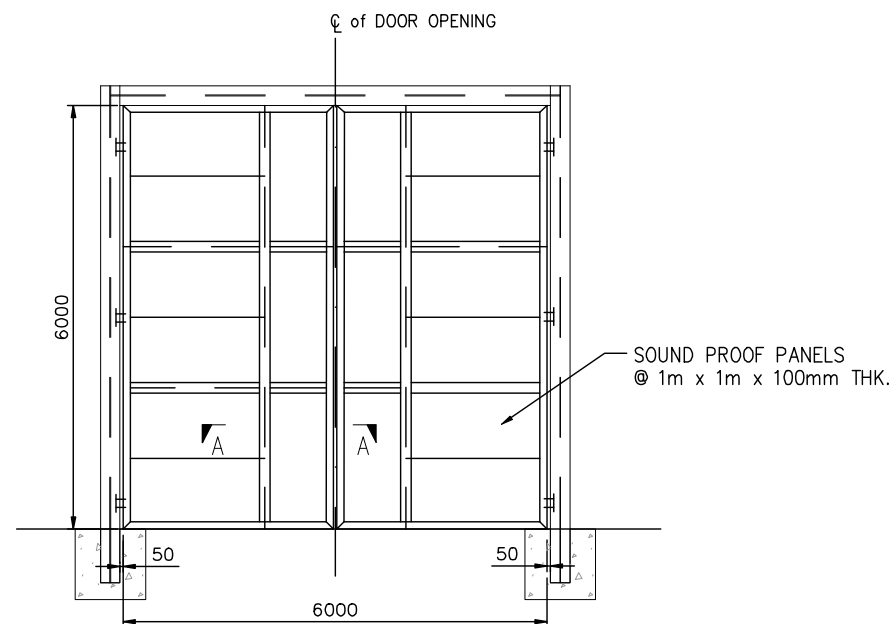
ICE Name :

Date of Certification :

(Put Chop Here) Signature



SECTION A - A
SCALE : 1 / 10







FRONT VIEW
SCALE : 1 / 100

NOTES:

1. ALL STRUCTURAL STEEL SECTIONS AND PLATES SHALL BE GRADE 43 TO BS4360 OR SS400 TO JIS G3101 OR EQUIVALENT.
2. ALL SOUND PROOF PANELS TO BE TYPE P-100 FROM ASAHI KANKYO LTD. OR EQUIVALENT AND THE TRANSMISSION LOSS OF THE SELECTED MATERIAL IS BETTER THAN OR EQUIVALENT TO THE SPECIFIED MATERIAL WITH SUPERFICIAL SURFACE DENSITY OF AT LEAST 10kg/m².

J:\04 - Technical\02-Method\Drawings\1010 Eastern Portal Temporary Site Formation Works\SI Site Installation\HKWDT-DNJV-MD-1010-SI-076A.dwg / 01/04/2008 16:47 / neliabunofe

DESIGNED BY: PCh DRAWN BY: NBU CHECKED BY: BKI IN CHARGE: PCA DATE: 27MAR08	MAIN CONTRACTOR:  Dragages Nishimatsu Joint Venture	CONTRACTOR'S DESIGNER:  MAUNSELL AECOM	CLIENT:  Drainage Services Department	CONSULTANT:  ARUP	PROJECT TITLE: Contract no.DC/2007/10 Design and Construction of Hong Kong West Drainage Tunnel	DRAWING TITLE: TYPICAL DETAIL OF SOUND PROOF DOOR OF ENCLOSED AREA @ EASTERN PORTAL	DRAWING REFERENCE NUMBER: HKWDT/DNJV/MD/1010/SI/076	REV: A
							DRAWING STATUS: FOR APPROVAL	SCALE: AS SHOWN