

Leighton Contractors  
(Asia) Limited

39/F Sun Hung Kai Centre  
30 Harbour Road  
Hong Kong

t: +852 2823 1111  
f: +852 2529 8784

26 September 2019

Your Ref: (5) in EP2/H4/S3/15 Pt.50  
Our Ref: LCAL-EN-LE-8535

The EIA Ordinance Register Office  
Environmental Protection Department  
27/F, Southern Centre  
130 Hennessy Road  
Wan Chai, Hong Kong

Dear Sir / Madam,

**Contract No. HY/2009/18**  
**Central-Wan Chai Bypass - Central Interchange**  
**Permit Condition 2.10: Submission of Final Landscape Plan (Rev. D4)**  
**for FEP-05/364/2009/A**

Pursuant to Clause 2.10 of the issued Further Environmental Permit FEP-05/364/2009/A and your above letter dated 6 June 2019 regarding the captioned subject, we submit herewith four hard copies and one electronic copy of the captioned submission with rtc table and certification letters from ET and IEC for your information. All measures recommended in this submission were fully and properly implemented.

If you have any queries or require further information, please feel free to contact our Mr. YK Wu at 5505 8633 or [yk.wu@leightonasia.com](mailto:yk.wu@leightonasia.com).

Thank you for your attention.

Yours faithfully  
For and on behalf of  
Leighton Joint Venture

Norman Croker  
Site Agent

NC / JkC / YKW  
Encl.

cc Mr. David Kwan (AECOM) (w/o encl.)  
Mr. Raymond Dai (Lams Geotechnics Limited) (by fax w/o encl.: 2882 3331)  
Mr. David Yeung (ENVIRON Hong Kong Ltd) (by fax w/o encl.: 3548 6988)

Comment	Response
<p>PlanD's comment:</p> <p>1) Having reviewed the revised Landscape Plan – Version (the Submission), it is acknowledged that the Submission is to fulfil the Condition 2.10 under the EP no. 'FEP-05/364/2009/A' which required the Permit Holder to implement a series of landscape and visual mitigation measures. Noting that the landscape and visual mitigation measures in the form of landscape works recommended in the approved EIA report have been reflected in the Submission and the landscape works was completed in 2017 under the construction stage of the contract no. HY/2009/18 which was handed over to the maintenance departments i.e. LCSD, HyD and MTR Corporation Ltd. In late July 2018. As such, please note that our previous reply dated 4.9.2018 that we have no comment on the Submission from landscape planning perspective on the captioned remains unchanged.</p> <p>2) Further we note that our previous suggestion that the copy of handing over record from the above maintenance departments for a complete record purpose has already provided in Appendix F in the Submission.</p> <p>3) Please confirm if there are any mitigation measures to address visual impact that are not shown in the Submission. If there are any, please submit for our comment from urban design perspective.</p>	<p>1) Noted</p> <p>2) Noted</p> <p>3) Please note that there is no other mitigation measures besides those address in the Submission as all the works had been commenced.</p>





# Lam Geotechnics Limited

Ground Investigation & Instrumentation Professionals

Ref : G1525/CS/L1014/FEP-05/364/2009/A  
Date : 2 May 2019

**Leighton Contractors (Asia) Limited**  
39/F, Sun Jung Kai Centre,  
30 Harbour Road,  
Hong Kong

**By Post and Fax: 2140-6799**

華益  
土力  
有限  
公司

**Attn: Site Agent, Jimmy Chu**

Dear Sir,

**Contract No. HY/2009/18**  
**Central – Wan Chai Bypass – Central Interchange**  
**Final Landscape Plan (Rev. D4)**

Referring to the captioned information dated 20 March 2019 received through email on 25 March 2019, we have reviewed your submitted details and hereby certify the submission in accordance with Condition 2.10 of FEP-05/364/2009/A.

Should you have any enquiry, please feel free to contact the undersigned at 2839 5666.

Yours faithfully,

Raymond Dai  
Environmental Team Leader

c.c HyD  
AECOM CWB  
AECOM WDII  
Ramboll

Mr. Tony Cheung  
Mr. David Kwan  
Ms. Gloria Tang  
Mr. David Yeung

(By fax: 2714-5289)  
(By fax: 3665-0106)  
(By fax: 2587-1877)  
(By fax: 3465-2899)



Ref.: AACWBIECEM00\_0\_11250L.19

2 May 2019

Leighton Contractors (Asia) limited  
39/F, Sun Hung Kai Centre,  
30 Harbour Road,  
Hong Kong

By Post and Fax (2140 6799)

Attention: Mr. Jimmy Chu

Dear Sir,

**Re: Contract No. HY/2009/18  
Central – Wan Chai Bypass – Central Interchange**

**Final Landscape Plan (Rev. D4)**

Reference is made to your submission of the Final Landscape Plan (Rev. D4 dated 25 March 2019) to us through ET's e-mail on 27 March 2019 for our review and comment.

Please be informed that we have no adverse comment on the captioned submission. We write to verify the captioned submission in accordance with Condition 2.10 of FEP-05/364/2009/A.

Please feel free to contact the undersigned should you have any queries.

Yours sincerely,



David Yeung  
Independent Environmental Checker

c.c.	HyD	Mr. Tony Cheung	by fax: 2714 5289
	AECOM CWB	Mr. David Kwan	by fax: 3665 0106
	AECOM CWB	Mr. Eric Wong	by fax: 3912 3010
	AECOM WDII	Ms. Gloria Tang	by fax: 2587 1877
	LAM	Mr. Raymond Dai	by fax: 2882 3331

Q:\Projects\AACWBIECEM00\Corr\AACWBIECEM00\_0\_11250L.19.doc

**LEIGHTON**

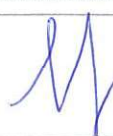

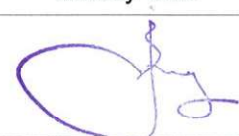


**Contract No. HY/2009/18**

**Central – Wan Chai Bypass – Central Interchange**

## **Final Landscape Plan**

### Document Approval

Rev.	Date	Prepared by:	Reviewed by:	Approved by:
D1	21.09.2017	Malcolm Leung	Malcolm Leung	Jimmy Chu
D2	06.08.2018	Penny Yiu	Penny Yiu	Jimmy Chu
D3	24.12.2018	Penny Yiu	Penny Yiu	Jimmy Chu
D4	20.03.2019	Gemini Lam	Y.K.Wu	Jimmy Chu
Signature:				

## CONTENTS

1. INTRODUCTION
2. LANDSCAPE WORKS
3. CONCLUSION

## APPENDICES

Appendix A	Shrubs Planting Plan
Appendix B	Hard Landscape Plan
Appendix C	Tree Location Plan and tree information of final trees planted at Central Area
Appendix D	Summary of compensatory for damaged tree and fell tree
Appendix E	Summary of transplant trees handed over to other Works Contract
Appendix F	Handed over record to Maintenance Agency
Appendix G	Photographic record of soft landscape and hard landscape Works at Central



## Final Landscape Plan (Draft)

### 1. INTRODUCTION

1.1.1. The purpose of this Final Landscape Plan is to fulfil the Condition 2.10 under the Environmental Permit no.: FEP-05/364/2009/A and provide the latest information of landscape works completed by the contract no. HY/2009/18.

1.1.2. The construction stage for the contract no. HY/2009/18 Central - Wan Chai Bypass - Central Interchange (hereinafter referred to as “the CWB-CI”) has been completed in 2017. This Final Landscape Plan is to provide a summary of the landscape works completed by the Contractor – Leighton Contractors (Asia) Limited (hereinafter referred to as “the Contractor” or “LCAL”).

#### Project Background (Contract no. HY/2009/18)

1.1.3. The scope of the CWB-CI mainly includes:

- construction of a 220m section of tunnel in Central at the West Portal;
- construction of approach road to the tunnel
- construction of at grade slip road
- construction of bridge deck for the westbound carriageway of Rumsey Street Flyover Extension;
- modification to the existing Rumsey Street Flyover; and
- construction of the eastbound Slip Road D Flyover.

#### Operation phase landscape mitigation measures

1.1.4. According to the approved EIA report (Registered No.: AEIAR-125/2008 - Wan Chai Development Phase II and Central-Wan Chai Bypass), the proposed operation phase landscape mitigation measures are listed in table below.

ID No.	Landscape and Visual Mitigation Measures
OM1	Aesthetic design of buildings and road-related structures, including viaducts, vent buildings, subways, footbridges and noise barriers and enclosure.
OM2	Shrub and Climbing Plants to soften proposed structures.
OM3	Buffer Tree and Shrub Planting to screen proposed roads and associated structures.
OM4	Aesthetic design of proposed waterfront promenade.
OM5	Aesthetic streetscape design.
OM6	Aesthetic design of roadside amenity areas.

1.1.5. Under the scope of CWB-CI, OM3 and OM6 are relevant. Buffer tree and shrub were planted on site according to planting plans designed by Engineer Representative and approved by authorities. Aesthetic design of roadside in amenity areas by Engineer Representative were implemented. Please refer to **Appendix A** for Shrubs Planting Plan, **Appendix B** for Hard Landscape Plan and **Appendix C** for Tree Location Plan.

## Final Landscape Plan (Draft)

---

### 2. LANDSCAPE WORKS

CWB-CI has implemented the following both hard and soft landscape works. For hard landscape works, it includes application of landscape features and stone facing finishing to amenity areas. For soft landscape works, it includes the provision of new soil mix, planting of new soil mix, planting of new shrubs, preservation, transplantation, compensation and planting of trees to tally with the following sub-sections in the submission.

#### 2.1. Provision of New Soil Mix

- 2.1.1. Stripped topsoil was stored and reused for the soil landscape works where practical. For new planting areas, new soil mix was proposed and approved by the Engineer's Representative prior to use.

#### 2.2. Planting of New Shrubs

- 2.2.1. New shrubs were planted as a soft landscape treatment shown in **Appendix A**. The photographic record of the completed shrub planting works at Central area under Contract CWB-CI are shown in **Appendix G**.

#### 2.3. Preservation, Transplantation, Compensation and Planting of Trees

- 2.3.1. Initial and final tree survey was carried out before commencing construction works and after completed construction works respectively.
- 2.3.2. Existing trees recommended to be retained were protected and maintained throughout the construction period. For any tree damage happened for retained tree such as by inclement weather, the Contractor has rectified and/or compensated accordingly. A total of 82 nos of damaged retain trees are compensated by the CWB-CI at Central Area, and their location were shown in **Appendix C**. The information of compensated damaged retain trees is listed in **Appendix D**.
- 2.3.3. Existing trees recommended to be transplanted were transplanted directly to the receptor site if possible, or transplanted to nursery location maintained by HY/2009/18 and subsequently transplanted to the final receptor location. For damage happened to transplant tree such as by inclement weather, the Contractor has rectified and/or compensated accordingly. A total of 67 nos of damaged transplant trees are compensated by the CWB-CI, and their location were shown in **Appendix C**. The information of compensated damaged transplant trees is listed in **Appendix D**.
- 2.3.4. Under the CWB-CI Contract, a total of no. of 131 of transplant trees are planted to final recipient location at Central as agreed with relevant Authority and subsequently handed over to relevant Maintenance Agency. A total of 71 transplant trees at Nursery site were handed over to other Works contract, with 58 and 13 nos of transplant trees were handed over to C19 and CWB-CC respectively, a summary of transplant tree handed over to other Works contract is shown in **Appendix E**. Meanwhile, a total no. of 388 of retained trees at



## Final Landscape Plan (Draft)

---

Central Area have been handed over to relevant Maintenance Agency. The final location(s) and tree information of the aforementioned handed over trees are shown in **Appendix C**.

- 2.3.5. In addition, a total no. of 152 new trees are planted at Central area, the final location(s) and tree information of the newly planted trees are shown in **Appendix C**.
- 2.3.6. All the trees under CI have been handed over to Maintenance Agency, the handed over records are shown in **Appendix F**.
- 2.3.7. Some of the existing trees identified to be retained or transplanted were recommended to be fell due to the obstruction of construction work. Total nos. of 30 trees were fell and were compensated by 53 nos of trees as approved by relevant Authority. The location and information of compensated fell trees were shown in **Appendix C** and **Appendix D**.

### 2.4. Establishment Period

- 2.4.1. The Contractor is responsible for the maintenance for tree establishment for shrub, retained trees, transplanted trees planted at the final location and for an establishment period of 12 months. During the establishment period, the Contractor has undertaken necessary maintenance for the plant establishment including regular watering, fertilizing and carrying out pest control. The establishment period was completed in late July 2018. The trees and shrubs under CI have handed over to the maintenance departments including Leisure and Cultural Services Department (LCSD), Contract HY/2011/08 under Highways Department (Highways) and IFC Management Co. Ltd under MTR Corporation Limited for future maintenance.

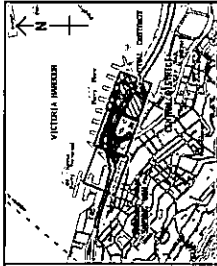
## 3. CONCLUSION

- 3.1.1. Both Hard landscape and Soft landscape including landscape features, stone facing finishing, shrub and trees planting have been implemented by Contract CWB-CI mitigate the landscape and visual impacts from the Project, in accordance with Landscape and Visual Mitigation Measures OM3 and OM6.

# Appendix A

## Shrubs Planting Plan





**NOTES:**

1. FOR NOTES AND LEGEND SEE SHEET NO. 60095653/C/19053B.
2. WITH BRONZE AND ALUMINIUM FINISHES AND 1502.
3. FOR THE TRANSPARENT INTERFERENCE APPLIED AND 1502.
4. STREET WAS CONSTRUCTED BY P&S FOR THE PROJECT. THE CONTRACTOR SHALL MAINTAIN THE CONSTRUCTION TO BE IN ACCORDANCE WITH THE CONTRACT WORKS.

**LEGEND:**

--- SEE SPECIFICATIONS BY OTHERS  
--- SEE CONTRACT WORKS

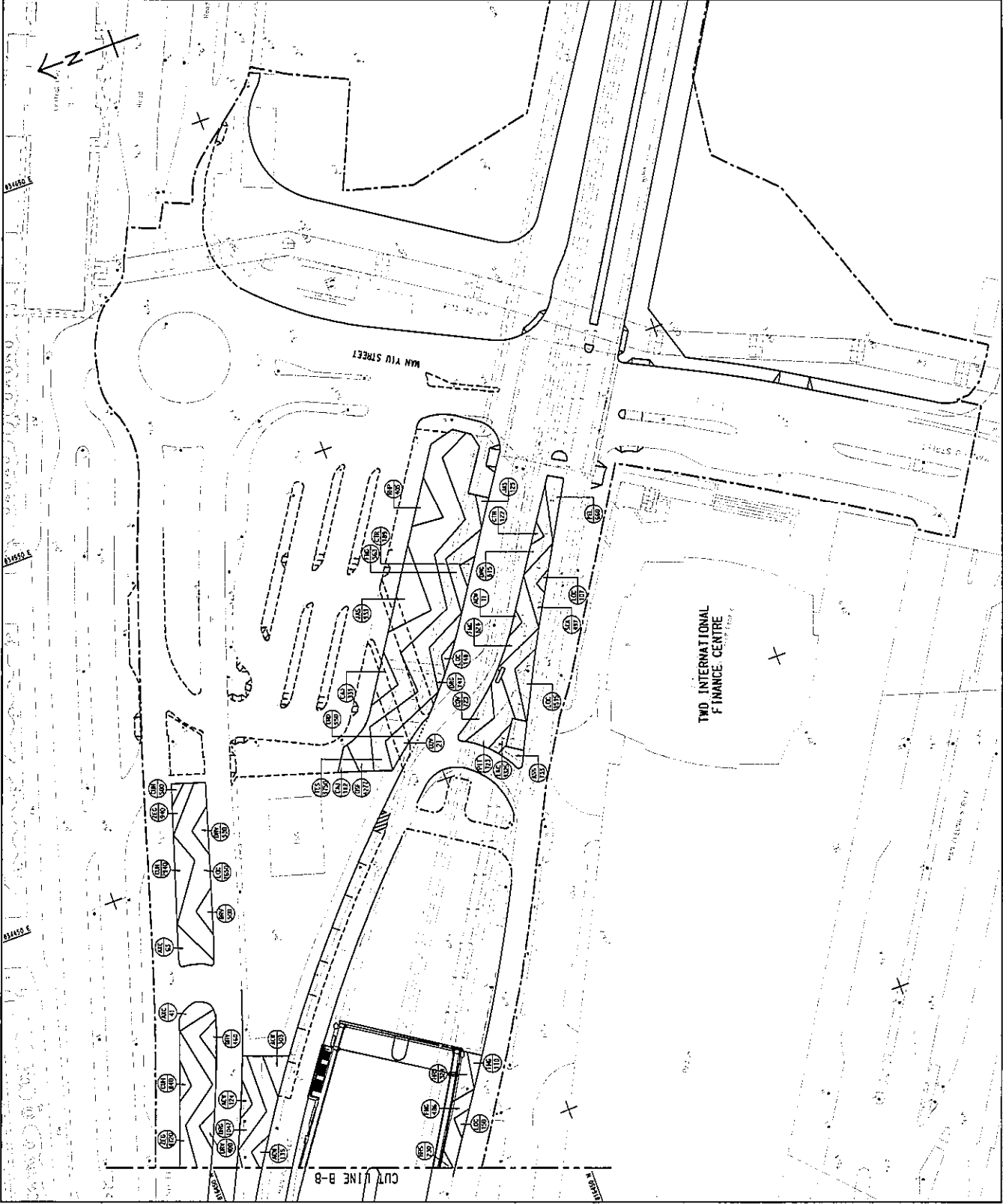
B	AS-BUILT DRAWING	REV 1	16/01/16
A	WORKING DRAWING	REV 1	16/01/16
	ISSUED FOR PERMIT	REV 1	16/01/16
	ISSUED FOR CONSTRUCTION	REV 1	16/01/16

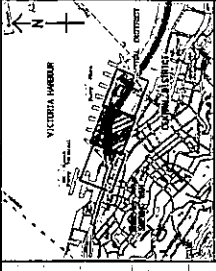
Highways Department  
Major Works Project Management Office

**CENTRAL - WAN CHAI BYPASS AND REC LINK**  
DRAWING NO. 579 TH  
工程計劃項目編號

**SHRUB PLANTING PLAN**  
CENTRAL - WAN CHAI BYPASS - CENTRAL INTERCHANGE

DRAWING NO. 60095653/C/19053B	
DATE	17/08/16
SCALE	AS BUILT DRAWING
PROJECT	CENTRAL - WAN CHAI BYPASS - CENTRAL INTERCHANGE
DESIGNER	© COPYRIGHT RESERVED





**KEY PLAN**  
 SCALE 1:10000  
 DATE 11/1/2000

**NOTE:**  
 1. FOR NOTIS AND LEGEND SEE ENG. NO. 60095653/C/9052B.

DATE	BY	CHKD	APP'D
11/1/2000	11/1/2000	11/1/2000	11/1/2000
11/1/2000	11/1/2000	11/1/2000	11/1/2000
11/1/2000	11/1/2000	11/1/2000	11/1/2000

Highways Department  
 Major Works Project Management Office

CENTRAL - VAN CHAI BRIDGES AND IEC LINK  
 579 TH

SHRUB PLANTING PLAN

SHEET 2 OF 3

60095653/C/9052B

AS BUILT DRAWING

DATE 11/1/2000

BY 11/1/2000

CHKD 11/1/2000

APP'D 11/1/2000

DATE 11/1/2000

BY 11/1/2000

CHKD 11/1/2000

APP'D 11/1/2000

DATE 11/1/2000

BY 11/1/2000

CHKD 11/1/2000

APP'D 11/1/2000

DATE 11/1/2000

BY 11/1/2000

CHKD 11/1/2000

APP'D 11/1/2000

DATE 11/1/2000

BY 11/1/2000

CHKD 11/1/2000

APP'D 11/1/2000

DATE 11/1/2000

BY 11/1/2000

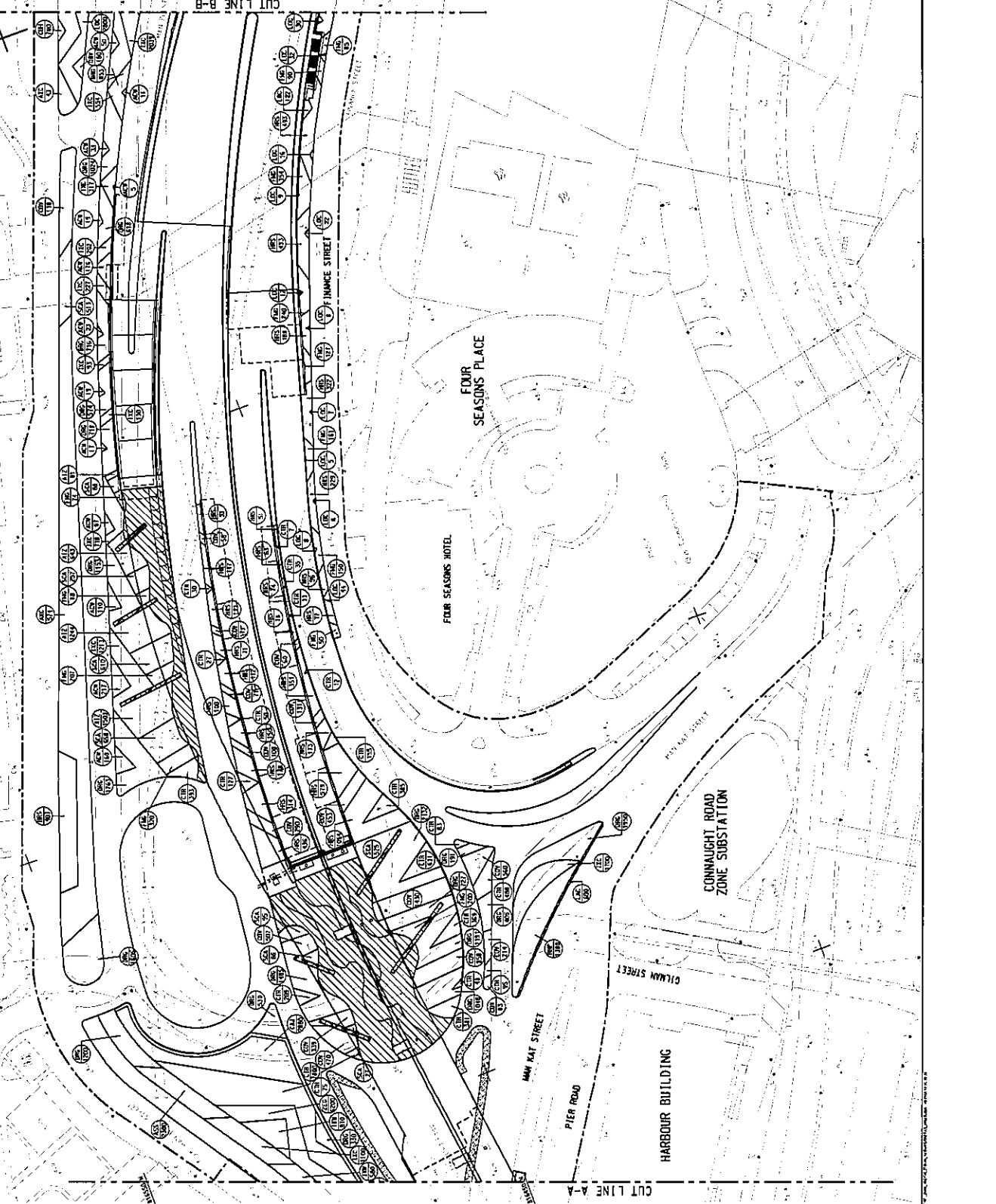
CHKD 11/1/2000

APP'D 11/1/2000

DATE 11/1/2000

BY 11/1/2000

CHKD 11/1/2000

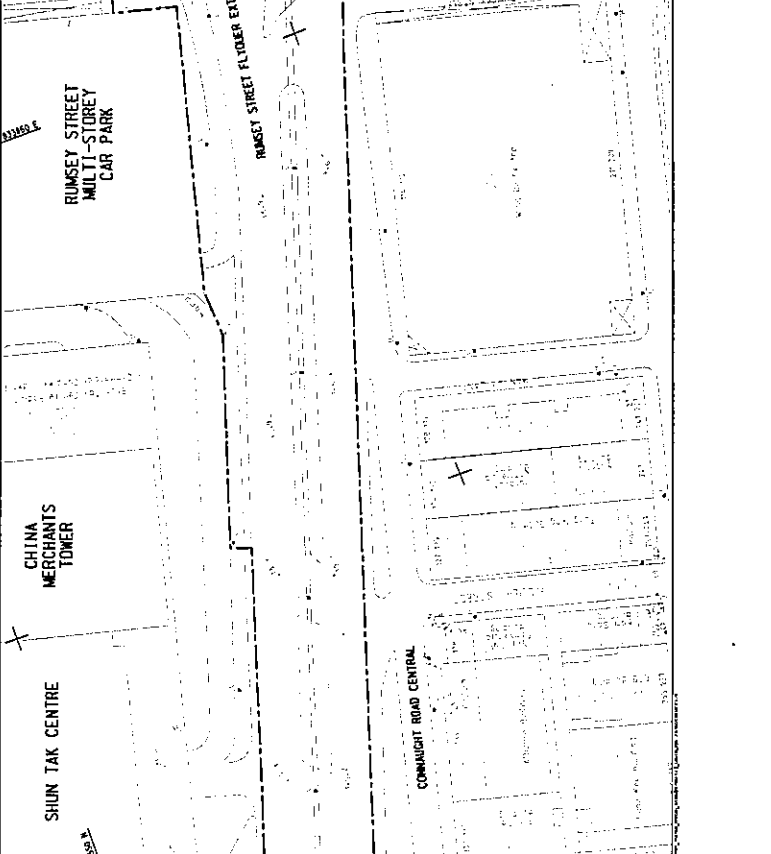


CUT LINE A-A

CUT LINE B-B

**PLANTING SCHEDULE**

CODE	BOTANICAL NAME	CHINESE NAME	SPECIFICATION (mm) HE TIRTH (AS SPREAD)	SPACING (mm)	NO./M <sup>2</sup>	QUANTITY	COMMENT
<b>SHRUB PLANTING</b>							
AEZ	AEZONIA POLYNESEA 'TRICOLOR'	五爪木	500H/400W	600	12.54	1250	PLANT ALL SPECIES IN A STAGGERED PATTERN
AEZ	AEZONIA POLYNESEA 'VARIATA'	五爪木	500H/400W	300	12.54	3075	
CAJ	CAMILLA JAPONICA	山刺楸	500H/400W	600	12.54	3075	
CAJ	CAMILLA JAPONICA	山刺楸	500H/400W	300	12.54	3075	
CAJ	CAMILLA JAPONICA	山刺楸	500H/400W	450	12.54	3441	
COY	CORALLIA TERMINALIS 'VARY'	花椰菜	500H/400W	300	12.54	11722	
COY	CORALLIA TERMINALIS 'VARY'	花椰菜	500H/400W	150	51.24	4180	
COY	CORALLIA TERMINALIS 'VARY'	花椰菜	500H/400W	300	12.54	15348	
DRP	DORONICA PLEBEIA 'GLORY'	花椰菜	500H/400W	300	12.54	15348	
DRP	DORONICA PLEBEIA 'GLORY'	花椰菜	500H/400W	250	18.48	19838	
DRP	DORONICA PLEBEIA 'GLORY'	花椰菜	500H/400W	400	7.29	350	
FAG	FICUS RUBROREPERIS 'GLORIA LEP'	大青木	500H/400W	400	7.29	350	
FAG	FICUS RUBROREPERIS 'GLORIA LEP'	大青木	500H/400W	300	12.54	3075	
FAG	FICUS RUBROREPERIS 'GLORIA LEP'	大青木	500H/400W	AS SPACING	12.25	4180	
FAG	FICUS RUBROREPERIS 'GLORIA LEP'	大青木	500H/400W	AS SPACING	12.25	4180	
FAG	FICUS RUBROREPERIS 'GLORIA LEP'	大青木	500H/400W	300	12.54	11350	
FAG	FICUS RUBROREPERIS 'GLORIA LEP'	大青木	500H/400W	300	12.54	3300	
FAG	FICUS RUBROREPERIS 'GLORIA LEP'	大青木	500H/400W	450	12.54	1958	
FAG	FICUS RUBROREPERIS 'GLORIA LEP'	大青木	500H/400W	300	12.54	1653	
FAG	FICUS RUBROREPERIS 'GLORIA LEP'	大青木	500H/400W	450	12.54	4177	
FAG	FICUS RUBROREPERIS 'GLORIA LEP'	大青木	500H/400W	600	12.54	600	
FAG	FICUS RUBROREPERIS 'GLORIA LEP'	大青木	500H/400W	600	12.54	753	
FAG	FICUS RUBROREPERIS 'GLORIA LEP'	大青木	500H/400W	600	12.54	1318	
FAG	FICUS RUBROREPERIS 'GLORIA LEP'	大青木	500H/400W	600	12.25	3792	
FAG	FICUS RUBROREPERIS 'GLORIA LEP'	大青木	500H/400W	600	12.25	3026	
FAG	FICUS RUBROREPERIS 'GLORIA LEP'	大青木	500H/400W	200	29	1212	
FAG	FICUS RUBROREPERIS 'GLORIA LEP'	大青木	500H/400W	200	29	50	
FAG	FICUS RUBROREPERIS 'GLORIA LEP'	大青木	500H/400W	200	29	29	
FAG	FICUS RUBROREPERIS 'GLORIA LEP'	大青木	500H/400W	400	7.29	3792	
<b>GROUND COVER PLANTING</b>							
AS5	ASPARGATUS SPERMATOPHYTES	草	200H/200W	200	29	4643	
LAC	LANTANA CAMARITENSIS	黄荆	200H/200W	200	29	3125	
ZES	ZEPHYRANTHES GAMBUTERA	草	200H/200W	200	29	13400	
<b>TURF PLANTING</b>							
ACG	ANANDAS COMPOSITIS	草	AS SPACING	1141	141.167	AS PER EX CLAUSE 1.17	



**GENERAL NOTES FOR LANDSCAPE WORKS:**

- GENERAL INFORMATION: THESE DRAWING PACKAGES INTEND TO SHOW SET AND STATIONING, VERTICALLY, HORIZONTALLY AND SPACING, REVISIONS, TO BE USED IN THE CONSTRUCTION OF THE PROJECT. THE CONTRACTOR SHALL BE RESPONSIBLE FOR OBTAINING ALL NECESSARY PERMITS AND APPROVALS FROM THE RELEVANT AUTHORITIES.
- DRAINAGE: ALL DRAINAGES ARE TO BE INSTALLED UNLESS OTHERWISE STATED. THE GRADIENT SHALL BE 1% UNLESS OTHERWISE STATED.
- EXISTING TREES/VEGETATION: ALL TREES AND VEGETATION TO BE REMOVED SHALL BE IDENTIFIED BY A RED 'X' ON THE DRAWING. THE CONTRACTOR SHALL BE RESPONSIBLE FOR PROTECTING ALL REMAINING TREES AND VEGETATION.
- TREE FELLING: ALL TREE FELLING SHALL BE DONE IN ACCORDANCE WITH THE RELEVANT REGULATIONS AND STANDARDS.
- GROUND PREPARATION: ALL GROUND PREPARATION SHALL BE DONE IN ACCORDANCE WITH THE RELEVANT REGULATIONS AND STANDARDS.
- SOIL MIX AND SOIL CONDITIONER: THE CONTRACTOR SHALL BE RESPONSIBLE FOR OBTAINING ALL NECESSARY PERMITS AND APPROVALS FROM THE RELEVANT AUTHORITIES.
- MULCHING: ALL MULCHING SHALL BE DONE IN ACCORDANCE WITH THE RELEVANT REGULATIONS AND STANDARDS.
- PLANTING: ALL PLANTING SHALL BE DONE IN ACCORDANCE WITH THE RELEVANT REGULATIONS AND STANDARDS.
- IRRIGATION: ALL IRRIGATION SHALL BE DONE IN ACCORDANCE WITH THE RELEVANT REGULATIONS AND STANDARDS.
- MAINTENANCE: ALL MAINTENANCE SHALL BE DONE IN ACCORDANCE WITH THE RELEVANT REGULATIONS AND STANDARDS.
- FINISHES: ALL FINISHES SHALL BE DONE IN ACCORDANCE WITH THE RELEVANT REGULATIONS AND STANDARDS.
- ACCESSORIES: ALL ACCESSORIES SHALL BE DONE IN ACCORDANCE WITH THE RELEVANT REGULATIONS AND STANDARDS.
- WATERING: THE CONTRACTOR SHALL BE RESPONSIBLE FOR WATERING ALL PLANTS AND TREES DURING AND AFTER THE CONSTRUCTION PERIOD.



- NOTES:**
- ALL WORKS SHOULD BE DONE IN ACCORDANCE WITH THE RELEVANT REGULATIONS AND STANDARDS.
  - EXISTING TREES NOT SHOWN SHOULD NOT BE AFFECTED BY THE PROJECT.
- LEGEND:**
- STATE BOUNDARY
  - LANDSCAPE FEATURE AND LIGHTING
  - STONE FINISH FENCING
  - SMALL TREE
  - SHRUB
  - GRASS



B	AS-BUILT DRAWING	1
A	WORKING DRAWING	1
-	TENDER DRAWING	1

PWP ITEM NO.	578 TH
CENTRAL - WIM CHAI INFRASTRUCTURE AND ISO LINK	
SHRUB PLANTING PLAN	
SHEET 1 OF 3	

ORIG. NO.	60095653/CI/9051B
DATE	11/08/2018
SCALE	AS BUILT DRAWING
STATUS	AS BUILT DRAWING

Highway Department  
Major Works Project Management Office

CENTRAL - WIM CHAI INFRASTRUCTURE AND ISO LINK  
SHRUB PLANTING PLAN  
SHEET 1 OF 3

COPYRIGHT RESERVED  
AS BUILT DRAWING

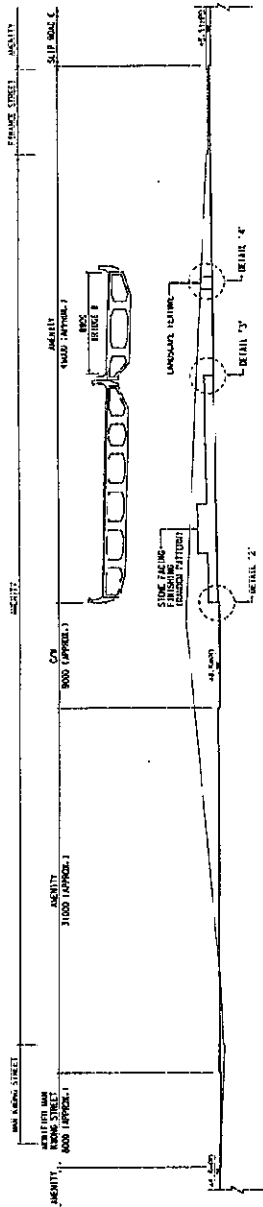
# **Appendix B**

## **Hard Landscape Plan**

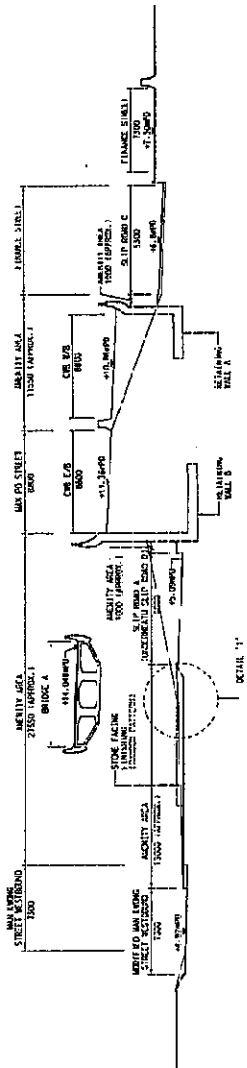


**NOTES:**

1. DIMENSIONS ARE IN MILLIMETERS UNLESS SPECIFIED OTHERWISE.
2. ALL DIMENSIONS ARE IN MILLIMETERS UNLESS SPECIFIED OTHERWISE.
3. FINISHES ARE AS SHOWN ON THE GENERAL NOTES AND SPECIFICATIONS.
4. ALL DIMENSIONS ARE IN MILLIMETERS UNLESS SPECIFIED OTHERWISE.
5. ALL DIMENSIONS ARE IN MILLIMETERS UNLESS SPECIFIED OTHERWISE.
6. ALL DIMENSIONS ARE IN MILLIMETERS UNLESS SPECIFIED OTHERWISE.
7. ALL DIMENSIONS ARE IN MILLIMETERS UNLESS SPECIFIED OTHERWISE.
8. ALL DIMENSIONS ARE IN MILLIMETERS UNLESS SPECIFIED OTHERWISE.
9. ALL DIMENSIONS ARE IN MILLIMETERS UNLESS SPECIFIED OTHERWISE.
10. ALL DIMENSIONS ARE IN MILLIMETERS UNLESS SPECIFIED OTHERWISE.



**SECTION A - A**  
SCALE 1:100



**SECTION B - B**  
SCALE 1:100

A. WORKING DRAWING		DATE	2023.08.15
DESIGNER		DATE	2023.08.15
PROJECT NAME		579 TH	
PROJECT NO.		579 TH	
PROJECT LOCATION		Highways Department, 579TH ROAD, Major Works Project Management Office	
PROJECT DESCRIPTION		GENERAL - ROAD OVERPASS AND IEC LAMP	
PROJECT NO.		579 TH	
PROJECT LOCATION		579TH ROAD - OVERPASS INTERCHANGE	
PROJECT DESCRIPTION		HARD LANDSCAPE SECTIONS AND DETAILS	
PROJECT NO.		60095653/CI/9041A	
PROJECT LOCATION		579TH ROAD - OVERPASS INTERCHANGE	
PROJECT DESCRIPTION		WORKING DRAWING	
PROJECT NO.		60095653/CI/9041A	
PROJECT LOCATION		579TH ROAD - OVERPASS INTERCHANGE	
PROJECT DESCRIPTION		WORKING DRAWING	
PROJECT NO.		60095653/CI/9041A	
PROJECT LOCATION		579TH ROAD - OVERPASS INTERCHANGE	
PROJECT DESCRIPTION		WORKING DRAWING	

**NOTES:**

1. ALL WORK TO BE DONE IN CONNECTION WITH THIS DRAWING IS TO BE COMPLETED PRIOR TO CONSTRUCTION.
2. ALL DIMENSIONS ARE TO BE UNLESS OTHERWISE SPECIFIED.
3. THE OPERATIONS AND METHODS TO BE USED ON THIS DRAWING ARE TO BE APPROVED BY THE ENGINEER PRIOR TO CONSTRUCTION.
4. FEATURES SHALL BE AS NOTED.
5. CONTRACTOR SHALL PROVIDE SUFFICIENT WORKING SPACE FOR THE ROAD WORKERS TO ACCESS AND MAINTAIN THE ROAD SURFACE AND TO BE ABLE TO PROTECT THE ROAD SURFACE FROM DAMAGE PRIOR TO CONSTRUCTION.

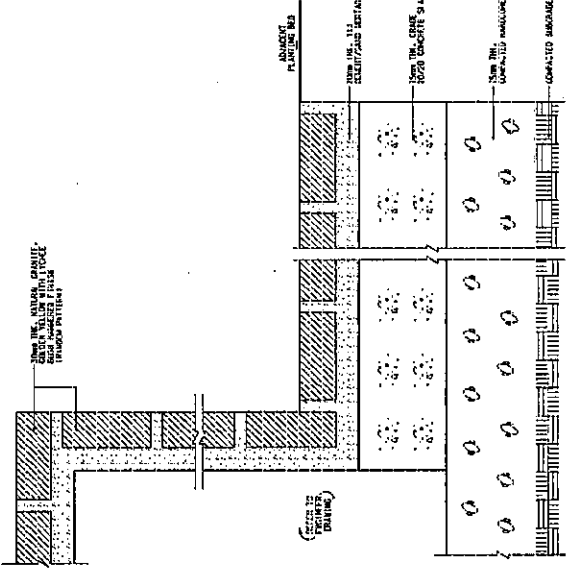
NO.	DESCRIPTION	DATE
1	ISSUED FOR PERMIT	12/20/18
2	ISSUED FOR CONSTRUCTION	01/15/19

Highways Department  
Major Works Projects Management Office

PROJECT NO. 576 TTH  
CENTRAL - WAK GONG OFFRASH AND REC LANE  
CENTRAL - WAK DAT BRIDGES - CENTRAL INTERCHANGE

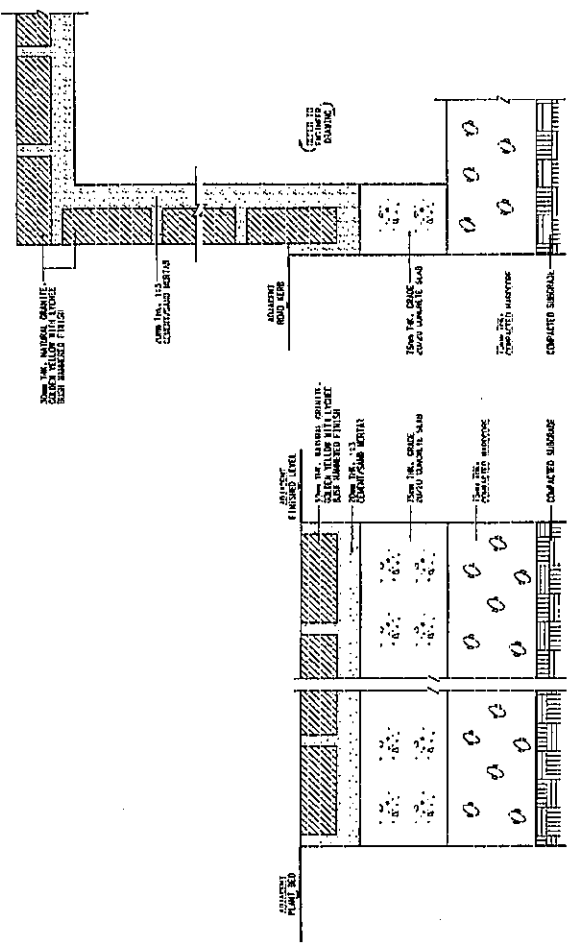
**HARD LANDSCAPE SECTIONS AND DETAILS**

PROJECT NO.	6008565/CI/9042A
DATE	12/20/18
SCALE	AS SHOWN
WORKING DRAWING	(5) OF 10 SHEETS



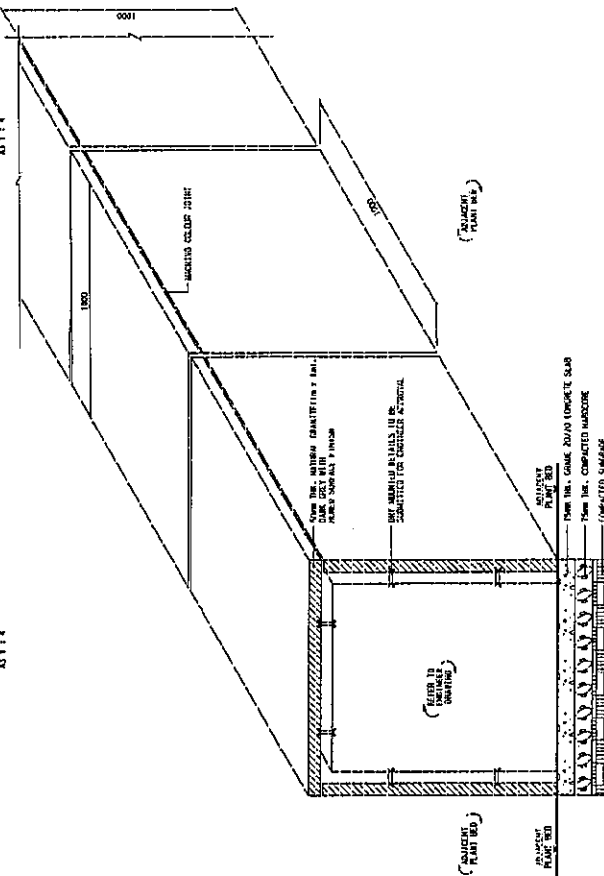
DETAIL '1'  
SCALE 1:10

DETAIL '2'  
SCALE 1:10

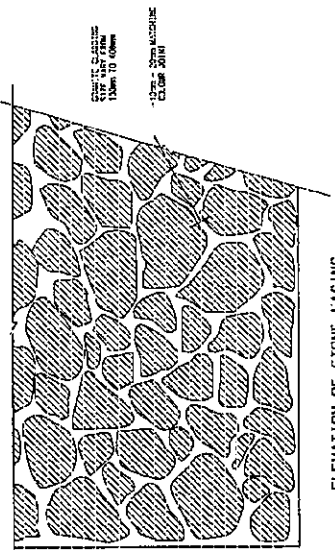


DETAIL '3'  
SCALE 1:10

DETAIL '4'  
SCALE 1:10



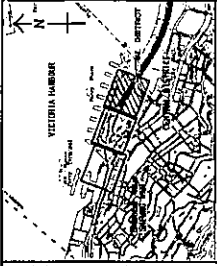
ELEVATION OF STONE FACING  
(RANDOM PATTERN)  
SCALE 1:10



# **Appendix C**

## **Tree Location Plan and tree information of final trees planted at Central Area**





**KEY PLAN**  
SCALE: 1:1000

**NOTES:**  
1. FOR NOTES AND LEGEND SEE ARCH. NO. 6009553/CI/9013C  
2. THIS DRAWING SHOULD BE USED IN CONJUNCTION WITH DRAWING NO. 6009553/CP/01 AND 9013.

C	AS-BUILT DRAWING	REV	DATE
B	WORKING DRAWING	01	08/05/13
A	CONTRACT DOCUMENT NO. 1	01	08/05/13
-	OWNER DRAWING	-	-

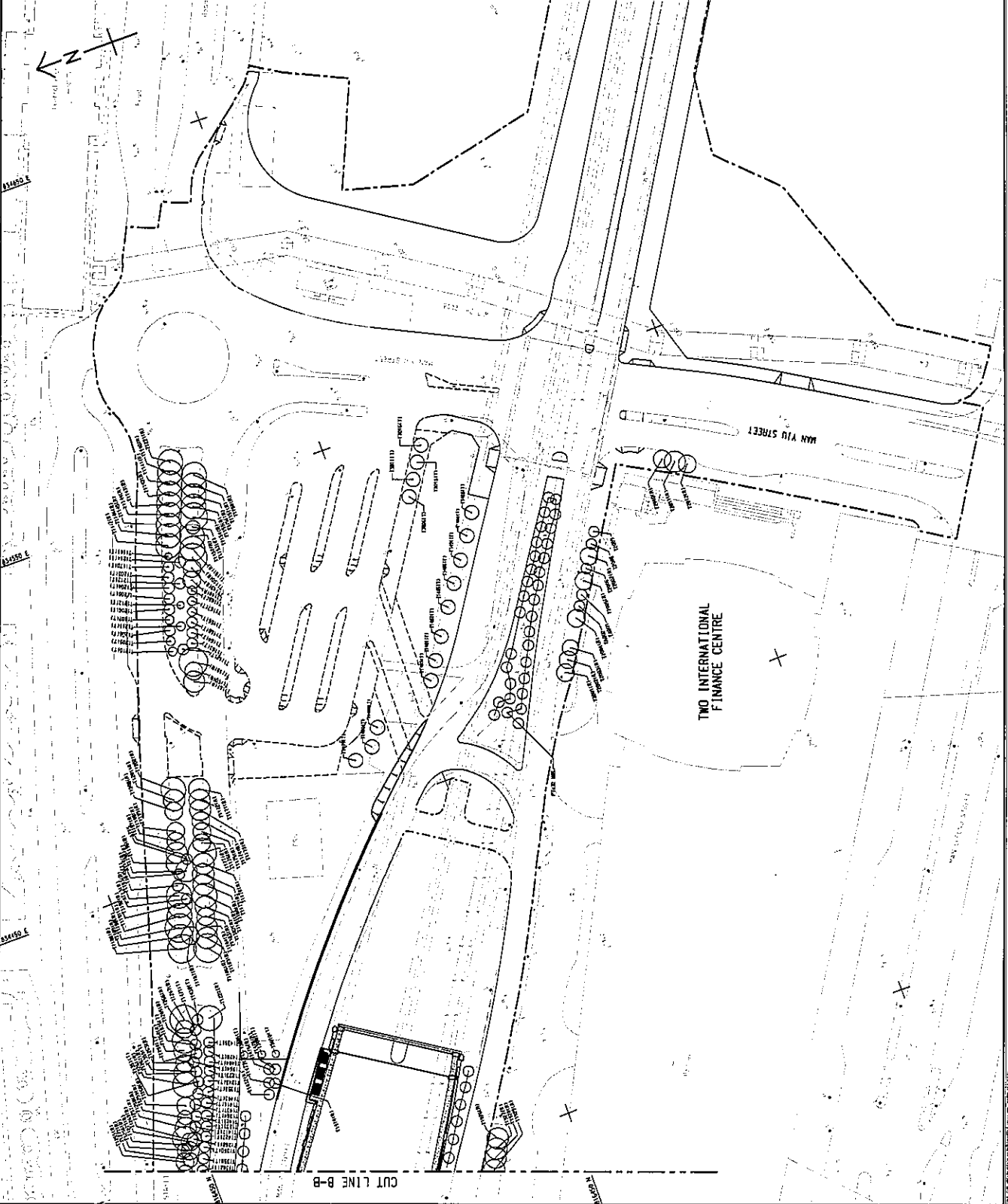
Highways Department 路政處  
Major Works Project Management Office 主要工程項目管理處

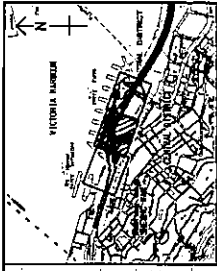
CENTRAL - WAN CHAI BYPASS AND BEC LINK  
工程計劃項目編號 579 TH

PROJECT NO. 579 TH  
GENERAL - MAIN CONTRACT - CENTRAL INFRASTRUCTURE

**TREE PLANTING PLAN**  
SHEET 3 OF 3

PROJECT NO.	6009553/CI/9013C
DATE	08/05/13
SCALE	AS BUILT DRAWING
STATUS	AS BUILT DRAWING
OWNER	路政處
DESIGNER	路政處





**KEY PLAN**  
SCALE 1:10000

**NOTE:**  
1. FOR NOTES AND LEGEND SEE DOC. NO. 6009563/C/1/9012C  
2. TREE PLANTING SHOULD BE DONE IN CONJUNCTION WITH  
3. TREE REMOVAL SHOULD BE DONE IN CONJUNCTION WITH

**LEGEND:**  
LOCATION #

CUT LINE A-A  
CUT LINE B-B

NO.	DESCRIPTION	DATE	BY	CHKD.
1	AS BUILT DRAWING	20/01/19	...	...
2	WORKING DRAWING	10/01/19	...	...
3	FOR PERMITS	10/01/19	...	...
4	FOR PERMITS	10/01/19	...	...
5	FOR PERMITS	10/01/19	...	...
6	FOR PERMITS	10/01/19	...	...
7	FOR PERMITS	10/01/19	...	...
8	FOR PERMITS	10/01/19	...	...
9	FOR PERMITS	10/01/19	...	...
10	FOR PERMITS	10/01/19	...	...

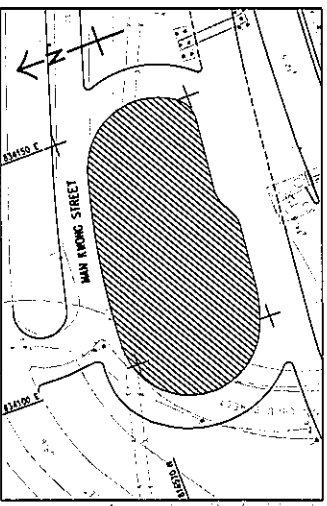
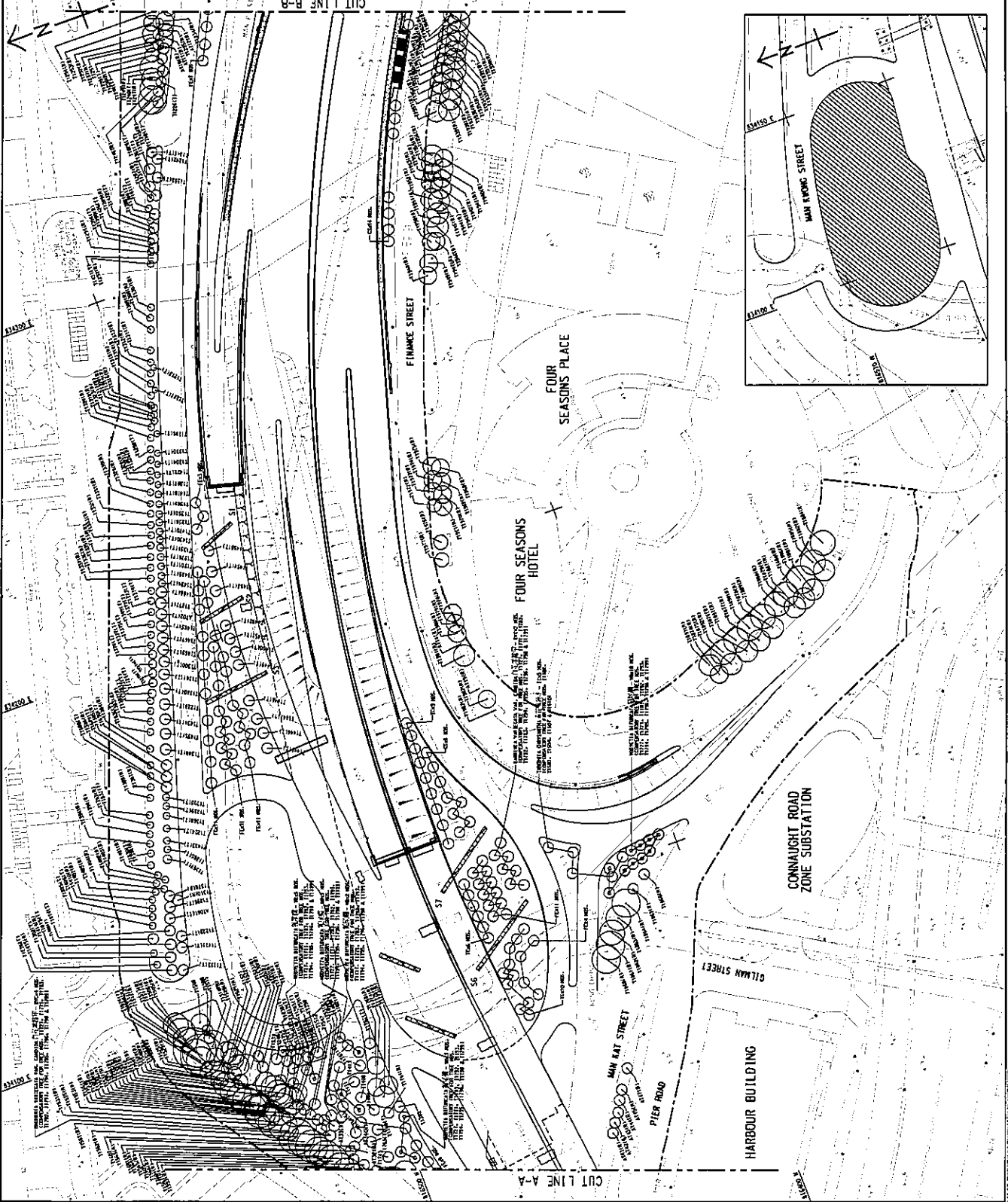
Highways Department  
Major Works Project Management Office

PROJECT NO. 579 TH  
CENTRAL - VAN COVE BYPASS - CENTRAL INTERCHANGE

**TREE PLANTING PLAN**

PROJECT NO. 6009563/C/1/9012C

DATE: 21/1/2019  
SCALE: AS BUILT DRAWING  
DRAWN BY: ...  
CHECKED BY: ...  
APPROVED BY: ...

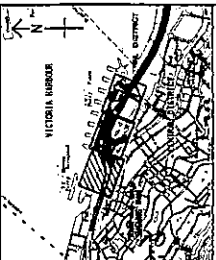
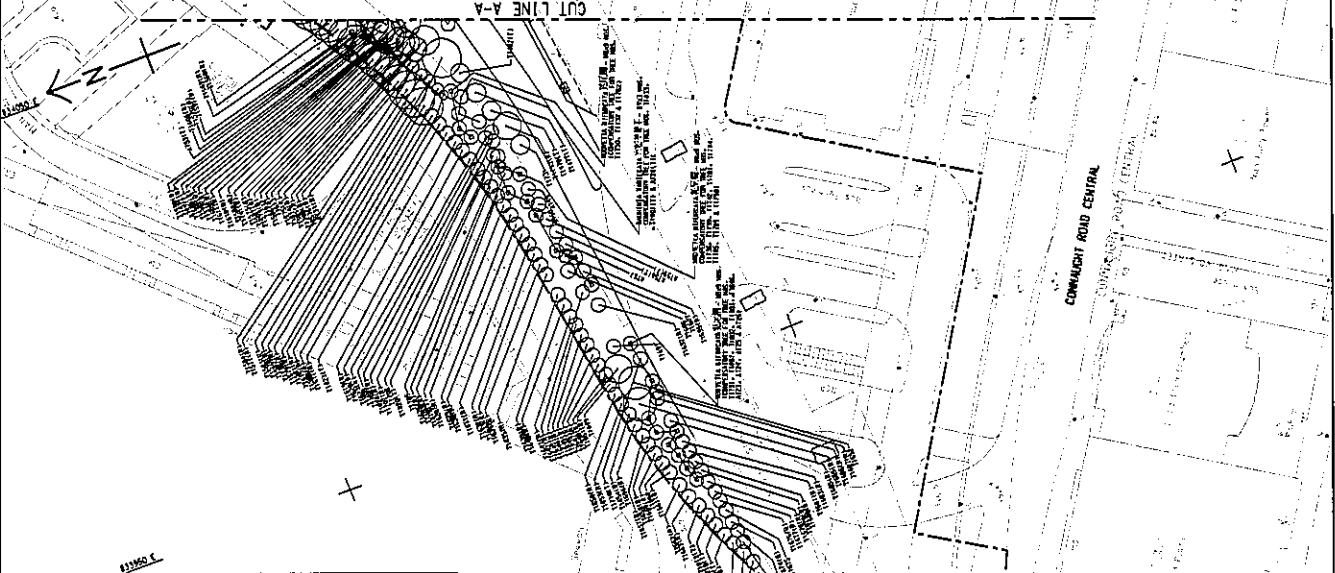


CUT LINE A-A  
CUT LINE B-B

**GENERAL NOTES FOR LANDSCAPE WORKS:**

1. GENERAL INFORMATION  
THESE DRAWING PACKAGES INTEND TO GIVE SET AND STRUCTURAL DESIGNERS, REFER TO THE DRAWING AND STRUCTURAL DRAWINGS FOR ALL DIMENSIONS AND SPECIFICATIONS. THE CONTRACTOR SHALL BE RESPONSIBLE FOR OBTAINING ALL NECESSARY PERMITS AND APPROVALS FROM THE RELEVANT AUTHORITIES. THE CONTRACTOR SHALL BE RESPONSIBLE FOR OBTAINING ALL NECESSARY PERMITS AND APPROVALS FROM THE RELEVANT AUTHORITIES.
2. DRAWING DIMENSIONS  
ALL DIMENSIONS ARE IN MILLIMETERS UNLESS OTHERWISE STATED.
3. EXISTING TREES/VEGETATION  
EXISTING TREES/VEGETATION SHALL BE MAINTAINED AND PROTECTED THROUGHOUT THE CONSTRUCTION PERIOD. ANY REMOVAL OF EXISTING TREES/VEGETATION SHALL BE APPROVED BY THE RELEVANT AUTHORITIES PRIOR TO THE START OF WORK.
4. TREE FELLING  
TREE FELLING SHALL BE CARRIED OUT IN ACCORDANCE WITH THE RELEVANT STANDARDS AND REGULATIONS. THE CONTRACTOR SHALL BE RESPONSIBLE FOR OBTAINING ALL NECESSARY PERMITS AND APPROVALS FROM THE RELEVANT AUTHORITIES.
5. GROUND PREPARATION WORKS  
GROUND PREPARATION WORKS SHALL BE CARRIED OUT IN ACCORDANCE WITH THE RELEVANT STANDARDS AND REGULATIONS. THE CONTRACTOR SHALL BE RESPONSIBLE FOR OBTAINING ALL NECESSARY PERMITS AND APPROVALS FROM THE RELEVANT AUTHORITIES.
6. SOIL MIX AND SOIL CONDITIONER  
SOIL MIX AND SOIL CONDITIONER SHALL BE APPLIED TO THE PLANTING AREAS IN ACCORDANCE WITH THE RELEVANT STANDARDS AND REGULATIONS. THE CONTRACTOR SHALL BE RESPONSIBLE FOR OBTAINING ALL NECESSARY PERMITS AND APPROVALS FROM THE RELEVANT AUTHORITIES.
7. MULCHING  
TREE PLANTING AREAS SHALL BE MULCHED IN ACCORDANCE WITH THE RELEVANT STANDARDS AND REGULATIONS. THE CONTRACTOR SHALL BE RESPONSIBLE FOR OBTAINING ALL NECESSARY PERMITS AND APPROVALS FROM THE RELEVANT AUTHORITIES.

PLANTING SCHEDULE TREE PLANTING				
CODE	BOTANICAL NAME	CHOOSE NAME	SIZE	QUANTITY
CS	LAURISTIMA CRYPTOCARPA	SHRUB	STANDARD	22
FE	TEMPLOUM DOMESTICUM	BEAKL	HEAVY STANDARD	35
PT	PERILOPHORA TOMINOSAE	PIA	HEAVY STANDARD	32
TC	TABERNAEMONTANA	W/SHRUB	HEAVY STANDARD	43



**NOTE:**  
1. THIS DRAWING SHOULD BE USED IN CONSTRUCTION WITH THE SITE PLAN, MEASUREMENTS, SPECIFICATIONS AND NOTES.

**LEGEND:**

- TREE BOUNDARY
- EXISTING TREE TO BE RETAINED
- PROPOSED TREE PLANTING
- COMPOSITE PALM PLANTING
- COMPENSATORY TREE WITH HEAVY STANDARD SIZE
- FINAL LOCATION OF TRANSPLANTED TREE AFTER CONSTRUCTION WORKS

C	AS-BUILT DRAWING	NO. OF SHEETS	16
B	WORKING DRAWING	NO. OF SHEETS	10
A	WORKING DRAWING NO. 1	NO. OF SHEETS	10
-	WORKING DRAWING	NO. OF SHEETS	10
25	WORKING DRAWING	NO. OF SHEETS	10

Highways Department 6/3/2011  
Major Works Project Management Office **HW**

CENTRAL - WAN CHAI BYPASS AND IEG LINK  
PWP FORM NO. 679 TH  
JOB NUMBER 679 TH  
TREE PLANTING PLAN  
SHEET 1 OF 3

PROJECT NO.	60095653/CI/9011C
DATE	11/11/06
SCALE	AS BUILT DRAWING
DESIGNED BY	HW
CHECKED BY	HW
APPROVED BY	HW

© COPYRIGHT RESERVED  
HW

Tree Information of Retained Tree

Tree No.	Tree Species	Chinese Name	Maintenance Dept.	Size		Crown Spread (ft)	Tree Form (Good, Fair, Poor)	Health Grade (High, Medium, Low)	Survival of the Retained Tree (High, Medium, Low)	Recommendation
				Tree Height (m)	DBH (mm)					
T1140	<i>Rapanea nuda</i>	干桉	LCSD	7.0	240	4.0	Fair	Fair	Medium	Retain
T1141	<i>Rapanea nuda</i>	干桉	LCSD	6.5	260	4.0	Fair	Fair	Medium	Retain
T1142	<i>Rapanea nuda</i>	干桉	LCSD	6.0	315	4.5	Fair	Fair	Medium	Retain
T1143	<i>Rapanea nuda</i>	干桉	LCSD	7.5	210	4.5	Fair	Fair	Medium	Retain
T1144	<i>Rapanea nuda</i>	干桉	LCSD	9.0	300	4.5	Fair	Fair	Medium	Retain
T1145	<i>Rapanea nuda</i>	干桉	LCSD	8.5	307	4.5	Fair	Fair	Medium	Retain
T1146	<i>Rapanea nuda</i>	干桉	LCSD	3.0	330	4.5	Fair	Fair	Medium	Retain
T1147	<i>Rapanea nuda</i>	干桉	LCSD	10.0	270	4.5	Fair	Fair	Medium	Retain
T1148	<i>Rapanea nuda</i>	干桉	LCSD	7.0	260	4.0	Fair	Fair	Medium	Retain
T1149	<i>Rapanea nuda</i>	干桉	LCSD	6.5	170	4.0	Fair	Fair	Medium	Retain
T1150	<i>Rapanea nuda</i>	干桉	LCSD	10.0	304	4.5	Fair	Fair	Medium	Retain
T1151	<i>Rapanea nuda</i>	干桉	LCSD	6.5	336	4.5	Fair	Fair	Medium	Retain
T1152	<i>Rapanea nuda</i>	干桉	LCSD	8.0	370	4.0	Fair	Fair	Medium	Retain
T1153	<i>Rapanea nuda</i>	干桉	LCSD	7.0	235	4.0	Fair	Fair	Medium	Retain
T1154	<i>Rapanea nuda</i>	干桉	LCSD	9.0	248	4.5	Fair	Fair	Medium	Retain
T1155	<i>Rapanea nuda</i>	干桉	LCSD	10.0	350	4.5	Fair	Fair	Medium	Retain
T1156	<i>Rapanea nuda</i>	干桉	LCSD	7.5	260	4.5	Fair	Fair	Medium	Retain
T1157	<i>Rapanea nuda</i>	干桉	LCSD	8.0	340	4.5	Fair	Fair	Medium	Retain
T1158	<i>Rapanea nuda</i>	干桉	LCSD	8.0	308	4.5	Fair	Fair	Medium	Retain
T1159	<i>Rapanea nuda</i>	干桉	LCSD	8.0	230	4.5	Fair	Fair	Medium	Retain
T1160	<i>Rapanea nuda</i>	干桉	LCSD	5.0	230	3.5	Fair	Fair	Medium	Retain
T1161	<i>Rapanea nuda</i>	干桉	LCSD	7.0	220	4.0	Fair	Fair	Medium	Retain
T1162	<i>Rapanea nuda</i>	干桉	LCSD	6.5	240	4.0	Fair	Fair	Medium	Retain
T1163	<i>Rapanea nuda</i>	干桉	LCSD	6.5	180	4.0	Fair	Fair	Medium	Retain
T1164	<i>Rapanea nuda</i>	干桉	LCSD	6.5	230	4.0	Fair	Fair	Medium	Retain
T1165	<i>Rapanea nuda</i>	干桉	LCSD	7.0	230	4.0	Fair	Fair	Medium	Retain
T1166	<i>Rapanea nuda</i>	干桉	LCSD	9.0	220	4.0	Fair	Fair	Medium	Retain
T1167	<i>Rapanea nuda</i>	干桉	LCSD	8.0	210	4.0	Fair	Fair	Medium	Retain
T1168	<i>Rapanea nuda</i>	干桉	LCSD	6.0	220	4.0	Fair	Fair	Medium	Retain
T1169	<i>Rapanea nuda</i>	干桉	LCSD	7.0	230	4.0	Fair	Fair	Medium	Retain
T1170	<i>Rapanea nuda</i>	干桉	LCSD	6.5	240	4.5	Fair	Fair	Medium	Retain
T1171	<i>Rapanea nuda</i>	干桉	LCSD	10.0	270	4.0	Fair	Fair	Medium	Retain
T1172	<i>Rapanea nuda</i>	干桉	LCSD	6.5	240	4.0	Fair	Fair	Medium	Retain
T1173	<i>Rapanea nuda</i>	干桉	LCSD	7.0	230	4.0	Fair	Fair	Medium	Retain
T1174	<i>Rapanea nuda</i>	干桉	LCSD	6.5	180	4.0	Fair	Fair	Medium	Retain
T1175	<i>Rapanea nuda</i>	干桉	LCSD	5.0	175	3.0	Fair	Fair	Medium	Retain
T1176	<i>Rapanea nuda</i>	干桉	LCSD	6.5	205	3.5	Poor	Fair	Low	Retain
T1177	<i>Rapanea nuda</i>	干桉	LCSD	9.0	230	4.0	Fair	Fair	Medium	Retain
T1178	<i>Rapanea nuda</i>	干桉	LCSD	7.0	210	4.0	Fair	Fair	Medium	Retain
T1179	<i>Rapanea nuda</i>	干桉	LCSD	6.0	170	4.0	Fair	Fair	Medium	Retain
T1180	<i>Rapanea nuda</i>	干桉	LCSD	7.0	230	4.0	Fair	Fair	Medium	Retain
T1181	<i>Rapanea nuda</i>	干桉	LCSD	7.0	220	4.0	Fair	Fair	Medium	Retain
T1182	<i>Rapanea nuda</i>	干桉	LCSD	6.5	210	4.0	Fair	Fair	Medium	Retain
T1183	<i>Rapanea nuda</i>	干桉	LCSD	7.0	180	4.0	Fair	Fair	Medium	Retain
T1184	<i>Rapanea nuda</i>	干桉	LCSD	6.5	230	4.0	Fair	Fair	Medium	Retain
T1185	<i>Rapanea nuda</i>	干桉	LCSD	7.0	230	4.0	Fair	Fair	Medium	Retain
T1186	<i>Rapanea nuda</i>	干桉	LCSD	9.0	220	4.0	Fair	Fair	Medium	Retain
T1187	<i>Rapanea nuda</i>	干桉	LCSD	8.0	210	5.0	Fair	Fair	Medium	Retain
T1188	<i>Rapanea nuda</i>	干桉	LCSD	7.0	240	4.5	Fair	Fair	Medium	Retain
T1189	<i>Rapanea nuda</i>	干桉	LCSD	6.0	220	4.0	Fair	Fair	Medium	Retain
T1190	<i>Rapanea nuda</i>	干桉	LCSD	10.0	250	4.5	Fair	Fair	Medium	Retain
T1191	<i>Rapanea nuda</i>	干桉	LCSD	7.0	230	3.5	Fair	Fair	Medium	Retain
T1192	<i>Rapanea nuda</i>	干桉	LCSD	10.0	280	4.5	Fair	Fair	Medium	Retain
T1193	<i>Rapanea nuda</i>	干桉	LCSD	10.0	270	4.0	Fair	Fair	Medium	Retain
T1194	<i>Rapanea nuda</i>	干桉	LCSD	9.0	210	5.0	Fair	Fair	Medium	Retain
T1195	<i>Rapanea nuda</i>	干桉	LCSD	8.0	245	4.5	Fair	Fair	Medium	Retain
T1196	<i>Rapanea nuda</i>	干桉	LCSD	8.0	245	4.5	Fair	Fair	Medium	Retain
T1197	<i>Rapanea nuda</i>	干桉	LCSD	9.0	250	4.5	Fair	Fair	Medium	Retain
T1198	<i>Rapanea nuda</i>	干桉	LCSD	6.0	190	4.0	Fair	Fair	Medium	Retain

Tree No.	Tree Species	Chinese Name	Maintenance Dept.	Size		Crown Spread (ft)	Tree Form (Good, Fair, Poor)	Health (Good, Fair, Poor)	Aesthetic Value (High, Medium, Low)	Survival of Transplant (High, Medium, Low)	Recommendation
				Tree Height (m)	DBH (cm)						
T1189	<i>Rapanea naga</i>	山竹	LCSD	6.0	210	4.5	Fair	Fair	Medium	Medium	Retain
T1200	<i>Rapanea naga</i>	山竹	LCSD	6.0	210	4.0	Fair	Poor	Medium	Medium	Retain
T1201	<i>Rapanea naga</i>	山竹	LCSD	8.0	265	4.0	Fair	Fair	Medium	Medium	Retain
T1202	<i>Rapanea naga</i>	山竹	LCSD	8.0	210	4.0	Fair	Fair	Medium	Medium	Retain
T1231	<i>Rapanea naga</i>	山竹	LCSD	7.0	230	4.0	Fair	Fair	Medium	Medium	Retain
T1222	<i>Rapanea naga</i>	山竹	LCSD	7.0	260	4.5	Fair	Fair	Medium	Medium	Retain
T1234	<i>Alseis blackiana</i>	山竹	LCSD	6.0	170	3.5	Fair	Fair	Medium	Low	Retain
T1235	<i>Alseis blackiana</i>	山竹	LCSD	7.0	170	4.0	Fair	Fair	Medium	Low	Retain
T1227	<i>Alseis blackiana</i>	山竹	LCSD	7.0	170	5.0	Fair	Fair	Medium	Low	Retain
T1245	<i>Rapanea naga</i>	山竹	LCSD	11.0	265	4.5	Fair	Fair	Medium	Medium	Retain
T1246	<i>Rapanea naga</i>	山竹	LCSD	9.0	225	4.5	Fair	Fair	Medium	Medium	Retain
T1247	<i>Rapanea naga</i>	山竹	LCSD	8.0	230	3.0	Fair	Fair	Medium	Medium	Retain
T1249	<i>Rapanea naga</i>	山竹	LCSD	6.0	230	4.0	Fair	Fair	Medium	Medium	Retain
T1250	<i>Rapanea naga</i>	山竹	LCSD	5.5	185	3.5	Fair	Fair	Medium	Medium	Retain
T1252	<i>Rapanea naga</i>	山竹	LCSD	5.5	160	3.5	Fair	Fair	Medium	Medium	Retain
T1253	<i>Rapanea naga</i>	山竹	LCSD	5.5	160	3.0	Poor	Fair	Low	Medium	Retain
T1254	<i>Rapanea naga</i>	山竹	LCSD	3.5	150	2.0	Poor	Poor	Medium	Medium	Retain
T1256	<i>Rapanea naga</i>	山竹	LCSD	3.5	143	2.0	Poor	Poor	Low	Low	Retain
T1258	<i>Alseis blackiana</i>	山竹	LCSD	6.5	185	3.0	Fair	Fair	Medium	Medium	Retain
T1259	<i>Alseis blackiana</i>	山竹	LCSD	3.0	145	2.0	Fair	Fair	Medium	Medium	Retain
T1260	<i>Alseis blackiana</i>	山竹	LCSD	5.0	140	3.0	Fair	Fair	Medium	Medium	Retain
T1261	<i>Rapanea naga</i>	山竹	LCSD	3.0	300	4.5	Fair	Fair	Medium	Medium	Retain
T1262	<i>Rapanea naga</i>	山竹	LCSD	8.0	270	4.0	Fair	Fair	Medium	Medium	Retain
T1263	<i>Rapanea naga</i>	山竹	LCSD	7.5	168	4.0	Fair	Fair	Medium	Medium	Retain
T1264	<i>Rapanea naga</i>	山竹	LCSD	8.0	220	4.5	Fair	Fair	Medium	Medium	Retain
T1265	<i>Rapanea naga</i>	山竹	LCSD	8.0	205	3.0	Poor	Poor	Medium	Medium	Retain
T1266	<i>Rapanea naga</i>	山竹	LCSD	5.5	185	4.0	Fair	Fair	Medium	Medium	Retain
T1267	<i>Rapanea naga</i>	山竹	LCSD	9.0	305	4.5	Fair	Fair	Medium	Medium	Retain
T1268	<i>Alseis blackiana</i>	山竹	LCSD	7.5	220	4.0	Fair	Fair	Medium	Low	Retain
T1269	<i>Alseis blackiana</i>	山竹	LCSD	5.0	150	5.0	Fair	Fair	Medium	Low	Retain
T1271	<i>Alseis blackiana</i>	山竹	LCSD	8.5	150	5.0	Fair	Fair	Medium	Low	Retain
T1272	<i>Alseis blackiana</i>	山竹	LCSD	4.0	130	5.0	Fair	Fair	Medium	Low	Retain
T1287	<i>Rapanea naga</i>	山竹	LCSD	7.0	230	4.5	Fair	Fair	Medium	Medium	Retain
T1288	<i>Rapanea naga</i>	山竹	LCSD	6.0	200	3.5	Fair	Poor	Medium	Medium	Retain
T1291	<i>Rapanea naga</i>	山竹	LCSD	9.0	261	5.0	Fair	Fair	Medium	Medium	Retain
T1293	<i>Rapanea naga</i>	山竹	LCSD	8.0	280	4.0	Fair	Fair	Medium	Medium	Retain
T1295	<i>Rapanea naga</i>	山竹	LCSD	6.0	260	4.0	Fair	Fair	Medium	Medium	Retain
T1301	<i>Rapanea naga</i>	山竹	LCSD	6.0	200	4.0	Fair	Fair	Medium	Medium	Retain
T1302	<i>Rapanea naga</i>	山竹	LCSD	9.0	261	5.0	Fair	Fair	Medium	Medium	Retain
T1305	<i>Rapanea naga</i>	山竹	LCSD	8.0	280	4.0	Fair	Fair	Medium	Medium	Retain
T1309	<i>Rapanea naga</i>	山竹	LCSD	6.0	260	4.0	Fair	Fair	Medium	Medium	Retain
T1311	<i>Rapanea naga</i>	山竹	LCSD	6.0	220	4.0	Fair	Fair	Medium	Medium	Retain
T1312	<i>Rapanea naga</i>	山竹	LCSD	6.0	250	4.0	Fair	Fair	Medium	Medium	Retain
T1313	<i>Rapanea naga</i>	山竹	LCSD	6.0	190	4.0	Fair	Fair	Medium	Medium	Retain
T1314	<i>Rapanea naga</i>	山竹	LCSD	6.0	220	4.0	Fair	Fair	Medium	Medium	Retain
T1315	<i>Rapanea naga</i>	山竹	LCSD	6.0	220	4.0	Fair	Fair	Medium	Medium	Retain
T1316	<i>Rapanea naga</i>	山竹	LCSD	6.0	180	4.0	Fair	Fair	Medium	Medium	Retain
T1317	<i>Rapanea naga</i>	山竹	LCSD	6.0	270	4.0	Fair	Fair	Medium	Medium	Retain
T1318	<i>Rapanea naga</i>	山竹	LCSD	6.0	260	4.0	Fair	Fair	Medium	Medium	Retain
T1319	<i>Alseis blackiana</i>	山竹	LCSD	6.0	105	4.0	Fair	Fair	Medium	Low	Retain
T1320	<i>Alseis blackiana</i>	山竹	LCSD	6.0	110	4.0	Fair	Fair	Medium	Low	Retain

Tree No.	Tree Species	Chinese Name	Maintenance Disp.	Site		Crown Spread (m)	Time Form (Fair, Poor)	Health Cond. (Fair, Poor)	Amenity Value (High, Medium, Low)	Survival of Tree (High, Medium, Low)	Recommendation
				Tree Height (m)	DBH (cm)						
T1323	<i>Albizia schotiana</i>	白楸	LCSD	0.0	17.0	4.0	Fair	Fair	Medium	Low	Retain
T1324	<i>Royalsone regia</i>	王林	LCSD	6.0	23.0	4.0	Fair	Fair	Medium	Medium	Retain
T1326	<i>Royalsone regia</i>	王林	LCSD	7.0	27.0	4.0	Fair	Fair	Medium	Medium	Retain
T1327	<i>Royalsone regia</i>	王林	LCSD	7.0	19.0	4.0	Fair	Fair	Medium	Medium	Retain
T1328	<i>Royalsone regia</i>	王林	LCSD	7.0	22.0	4.0	Fair	Fair	Medium	Medium	Retain
T1329	<i>Royalsone regia</i>	王林	LCSD	7.0	21.0	4.0	Fair	Fair	Medium	Medium	Retain
T1330	<i>Royalsone regia</i>	王林	LCSD	7.5	26.0	4.0	Fair	Fair	Medium	Medium	Retain
T1331	<i>Royalsone regia</i>	王林	LCSD	8.0	25.5	4.5	Fair	Fair	Medium	Medium	Retain
T1332	<i>Royalsone regia</i>	王林	LCSD	6.0	16.0	3.5	Fair	Fair	Medium	Medium	Retain
T1333	<i>Royalsone regia</i>	王林	LCSD	6.0	20.0	4.0	Fair	Fair	Medium	Medium	Retain
T1334	<i>Royalsone regia</i>	王林	LCSD	6.0	22.0	4.0	Fair	Fair	Medium	Medium	Retain
T1335	<i>Royalsone regia</i>	王林	LCSD	5.5	17.0	3.0	Fair	Fair	Medium	Medium	Retain
T1336	<i>Royalsone regia</i>	王林	LCSD	6.0	25.0	4.0	Fair	Fair	Medium	Medium	Retain
T1337	<i>Royalsone regia</i>	王林	LCSD	7.0	21.0	3.5	Fair	Fair	Medium	Medium	Retain
T1342	<i>Royalsone regia</i>	王林	LCSD	8.5	30.0	4.5	Fair	Fair	Medium	Medium	Retain
T1343	<i>Royalsone regia</i>	王林	LCSD	6.5	26.0	4.5	Fair	Fair	Medium	Medium	Retain
T1344	<i>Royalsone regia</i>	王林	LCSD	6.0	26.0	4.0	Fair	Fair	Medium	Medium	Retain
T1345	<i>Royalsone regia</i>	王林	LCSD	6.5	26.0	3.0	Fair	Fair	Medium	Medium	Retain
T1346	<i>Royalsone regia</i>	王林	LCSD	7.5	29.0	4.0	Fair	Fair	Medium	Medium	Retain
T1347	<i>Royalsone regia</i>	王林	LCSD	7.0	26.0	4.0	Fair	Fair	Medium	Medium	Retain
T1348	<i>Royalsone regia</i>	王林	LCSD	5.5	16.0	3.0	Fair	Fair	Medium	Medium	Retain
T1394	<i>Royalsone regia</i>	王林	LCSD	5.0	16.0	2.5	Fair	Fair	Medium	Medium	Retain
T1398	<i>Royalsone regia</i>	王林	LCSD	5.0	20.0	4.0	Fair	Fair	Medium	Medium	Retain
T1399	<i>Royalsone regia</i>	王林	LCSD	7.5	26.0	4.0	Fair	Fair	Medium	Medium	Retain
T1401	<i>Albizia ilicifolia</i>	白楸	LCSD	7.0	16.0	6.0	Fair	Fair	Medium	Low	Retain
T1402	<i>Albizia ilicifolia</i>	白楸	LCSD	7.0	13.0	4.0	Fair	Fair	Medium	Low	Retain
T1403	<i>Albizia ilicifolia</i>	白楸	LCSD	8.0	22.0	6.0	Fair	Fair	Medium	Low	Retain
T1404	<i>Albizia ilicifolia</i>	白楸	LCSD	8.0	17.0	6.0	Fair	Fair	Medium	Low	Retain
T1405	<i>Albizia ilicifolia</i>	白楸	LCSD	7.0	13.5	4.0	Fair	Fair	Medium	Low	Retain
T1407	<i>Royalsone regia</i>	王林	LCSD	7.0	24.0	4.0	Fair	Fair	Medium	Medium	Retain
T1414	<i>Royalsone regia</i>	王林	LCSD	7.0	31.0	4.5	Fair	Fair	Medium	Medium	Retain
T1415	<i>Royalsone regia</i>	王林	LCSD	6.0	26.0	4.0	Fair	Fair	Medium	Medium	Retain
T1449	<i>Acacia coarctata</i>	黑木相思	LCSD	6.0	15.0	7.0	Poor	Poor	Medium	Low	Retain
T1441	<i>Acacia confusa</i>	黑木相思	LCSD	5.0	20.0	5.0	Fair	Poor	Medium	Low	Retain
T1442	<i>Ficus abnorme</i>	臭八木(臭木)	LCSD	6.0	25.0	6.0	Fair	Fair	Medium	Medium	Retain
T1443	<i>Ficus abnorme</i>	臭八木(臭木)	LCSD	4.0	22.0	2.5	Fair	Fair	Medium	Medium	Retain
T1444	<i>Ficus abnorme</i>	臭八木(臭木)	LCSD	4.0	15.0	3.0	Fair	Fair	Medium	Medium	Retain
T1412	<i>Royalsone regia</i>	王林	LCSD	9.5	28.0	4.0	Fair	Fair	Medium	Medium	Retain
T1413	<i>Royalsone regia</i>	王林	LCSD	8.5	36.0	4.0	Fair	Fair	Medium	Medium	Retain
T1414	<i>Royalsone regia</i>	王林	LCSD	9.5	33.5	4.5	Fair	Fair	Medium	Medium	Retain
T1415	<i>Royalsone regia</i>	王林	LCSD	7.5	24.0	4.0	Fair	Fair	Medium	Medium	Retain
T1416	<i>Royalsone regia</i>	王林	LCSD	9.0	34.5	4.0	Fair	Fair	Medium	Medium	Retain
T1506	<i>Royalsone regia</i>	王林	LCSD	6.0	29.0	3.0	Fair	Fair	Medium	Medium	Retain
T1509	<i>Royalsone regia</i>	王林	LCSD	7.0	24.0	4.0	Fair	Fair	Medium	Medium	Retain
T1511	<i>Royalsone regia</i>	王林	LCSD	7.0	36.0	4.0	Fair	Fair	Medium	Medium	Retain
T1513	<i>Casuarina equisetifolia</i>	木麻黄(木麻黄)	LCSD	13.0	23.0	7.0	Fair	Fair	Medium	Low	Retain
T1514	<i>Royalsone regia</i>	王林	LCSD	6.0	20.0	4.0	Fair	Fair	Medium	Medium	Retain
T1516	<i>Casuarina equisetifolia</i>	木麻黄(木麻黄)	LCSD	13.0	20.0	5.0	Fair	Fair	Medium	Low	Retain
T1517	<i>Casuarina equisetifolia</i>	木麻黄(木麻黄)	LCSD	12.0	14.0	6.0	Fair	Fair	Medium	Low	Retain

Tree No.	Tree Species	Chinese Name	Maintenance Dept.	Size			Crown Spread (m)	Tree Form (Good, Fair, Poor)	Health (Good, Medium, Poor)	Aesthetics Value (High, Medium, Low)	Survival of Tree (High, Medium, Low)	Recommendation
				Tree Height (m)	DBH (cm)	Green Speed (%)						
T1510	<i>Roydonia roya</i>	王桂	LCSO	5.0	200	4.0	Fair	Fair	Medium	Medium	Retain	
T1520	<i>Ficus binniana</i>	大叶榕(大叶榕)	LCSO	7.0	190	6.0	Fair	Fair	Medium	Medium	Retain	
T1521	<i>Ficus binniana</i>	大叶榕(大叶榕)	LCSO	6.0	150	7.0	Fair	Fair	Medium	Medium	Retain	
T1522	<i>Ficus binniana</i>	大叶榕(大叶榕)	LCSO	6.5	200	10.0	Fair	Fair	Medium	Medium	Retain	
T1523	<i>Ficus binniana</i>	大叶榕(大叶榕)	LCSO	6.0	130	6.0	Fair	Fair	Medium	Medium	Retain	
T1525	<i>Roydonia roya</i>	王桂	LCSO	6.5	230	4.0	Fair	Fair	Medium	Medium	Retain	
T1526	<i>Roydonia roya</i>	王桂	LCSO	5.5	206	3.0	Fair	Fair	Medium	Medium	Retain	
T1528	<i>Roydonia roya</i>	王桂	LCSO	7.0	200	4.0	Fair	Fair	Medium	Medium	Retain	
T1530	<i>Ficus binniana</i>	大叶榕(大叶榕)	LCSO	6.0	130	6.0	Fair	Fair	Medium	Medium	Retain	
T1531	<i>Ficus binniana</i>	大叶榕(大叶榕)	LCSO	7.5	200	6.0	Fair	Fair	Medium	Medium	Retain	
T1533	<i>Roydonia roya</i>	王桂	LCSO	7.0	250	4.0	Fair	Fair	Medium	Medium	Retain	
T1534	<i>Roydonia roya</i>	王桂	LCSO	7.5	240	4.0	Fair	Fair	Medium	Medium	Retain	
T1536	<i>Roydonia roya</i>	王桂	LCSO	6.0	200	4.0	Fair	Fair	Medium	Medium	Retain	
T1537	<i>Roydonia roya</i>	王桂	LCSO	7.0	240	3.0	Fair	Fair	Medium	Medium	Retain	
T1538	<i>Bauhinia variegata</i>	大花紫玉兰	LCSO	7.0	130	6.0	Fair	Fair	Medium	Medium	Retain	
T1540	<i>Bauhinia variegata</i>	大花紫玉兰	LCSO	7.0	130	6.0	Fair	Fair	Medium	Medium	Retain	
T1546	<i>Casuarina equisetifolia</i>	木麻黄(木麻黄)	LCSO	12.0	190	6.0	Fair	Fair	Medium	Low	Retain	
T1549	<i>Roydonia roya</i>	王桂	LCSO	6.0	260	4.0	Fair	Fair	Medium	Medium	Retain	
T1551	<i>Roydonia roya</i>	王桂	LCSO	7.0	220	4.0	Fair	Fair	Medium	Medium	Retain	
T1552	<i>Bauhinia variegata</i>	大花紫玉兰	LCSO	6.0	140	5.0	Fair	Fair	Medium	Medium	Retain	
T1553	<i>Roydonia roya</i>	王桂	LCSO	6.0	200	4.0	Fair	Fair	Medium	Medium	Retain	
T1555	<i>Roydonia roya</i>	王桂	LCSO	6.0	280	4.0	Fair	Fair	Medium	Medium	Retain	
T1560	<i>Roydonia roya</i>	王桂	LCSO	6.0	290	4.5	Fair	Fair	Medium	Medium	Retain	
T1561	<i>Roydonia roya</i>	王桂	LCSO	10.0	300	4.5	Fair	Fair	Medium	Medium	Retain	
T1562	<i>Roydonia roya</i>	王桂	LCSO	6.0	250	4.5	Fair	Fair	Medium	Medium	Retain	
T1563	<i>Roydonia roya</i>	王桂	LCSO	6.0	270	4.5	Fair	Fair	Medium	Medium	Retain	
T1564	<i>Roydonia roya</i>	王桂	LCSO	7.0	250	4.0	Fair	Fair	Medium	Medium	Retain	
T1565	<i>Roydonia roya</i>	王桂	LCSO	6.0	330	4.5	Fair	Fair	Medium	Medium	Retain	
T1566	<i>Roydonia roya</i>	王桂	LCSO	6.0	290	4.0	Fair	Fair	Medium	Medium	Retain	
T1567	<i>Roydonia roya</i>	王桂	LCSO	6.0	290	4.0	Fair	Fair	Medium	Medium	Retain	
T1568	<i>Roydonia roya</i>	王桂	LCSO	6.0	270	4.5	Fair	Fair	Medium	Medium	Retain	
T1569	<i>Roydonia roya</i>	王桂	LCSO	6.0	240	4.0	Fair	Fair	Medium	Medium	Retain	
T1570	<i>Roydonia roya</i>	王桂	LCSO	6.0	220	4.0	Fair	Fair	Medium	Medium	Retain	
T1571	<i>Roydonia roya</i>	王桂	LCSO	6.0	230	4.0	Fair	Fair	Medium	Medium	Retain	
T1572	<i>Roydonia roya</i>	王桂	LCSO	7.0	250	4.0	Fair	Fair	Medium	Medium	Retain	
T1573	<i>Roydonia roya</i>	王桂	LCSO	7.5	240	4.0	Fair	Fair	Medium	Medium	Retain	
T1575	<i>Roydonia roya</i>	王桂	LCSO	7.0	260	4.0	Poor	Poor	Medium	Low	Retain	
T1576	<i>Roydonia roya</i>	王桂	LCSO	7.0	200	4.0	Fair	Fair	Medium	Medium	Retain	
T1577	<i>Roydonia roya</i>	王桂	LCSO	6.0	770	4.0	Fair	Fair	Medium	Medium	Retain	
T1578	<i>Roydonia roya</i>	王桂	LCSO	6.0	290	4.0	Fair	Fair	Medium	Medium	Retain	
T1579	<i>Roydonia roya</i>	王桂	LCSO	6.0	280	4.0	Fair	Fair	Medium	Medium	Retain	
T1580	<i>Fraxinus chinensis</i>	白蜡	LCSO	1.5	300	2.0	Fair	Fair	Medium	Medium	Retain	
T1581	<i>Fraxinus chinensis</i>	白蜡	LCSO	1.5	300	2.5	Fair	Fair	Medium	Medium	Retain	
T1582	<i>Fraxinus chinensis</i>	白蜡	LCSO	1.5	330	3.0	Fair	Fair	Medium	Medium	Retain	
T1583	<i>Fraxinus chinensis</i>	白蜡	LCSO	1.5	340	3.5	Fair	Fair	Medium	Medium	Retain	
T1584	<i>Fraxinus chinensis</i>	白蜡	LCSO	1.5	360	3.5	Fair	Fair	Medium	Medium	Retain	
T1585	<i>Fraxinus chinensis</i>	白蜡	LCSO	1.5	350	3.5	Fair	Fair	Medium	Medium	Retain	
T1586	<i>Fraxinus chinensis</i>	白蜡	LCSO	1.6	300	3.0	Fair	Fair	Medium	Medium	Retain	
T1587	<i>Fraxinus chinensis</i>	白蜡	LCSO	1.5	300	3.0	Fair	Fair	Medium	Medium	Retain	

Tree Information of Retained Tree

Tree No.	Tree Species	Chinese Name	Maintenance Dept.	Size		Tree Form (Good, Fair, Poor)	Health (Good, Fair, Poor)	Anxiety Value (High, Medium, Low)	Survival of Retained Tree (High, Medium, Low)	Recommendation
				Tree Height (m)	Crown Spread (m)					
T1508	<i>Eucalyptus chinensis</i>	桉树	LCSD	1.00	3.0	Fair	Fair	Medium	Medium	Retain
T1509	<i>Eucalyptus cinerascens</i>	桉树	LCSD	1.0	3.0	Fair	Fair	Medium	Medium	Retain
T1510	<i>Eucalyptus chinensis</i>	桉树	LCSD	1.00	3.0	Fair	Fair	Medium	Medium	Retain
T1511	<i>Eucalyptus chinensis</i>	桉树	LCSD	1.00	3.0	Poor	Fair	Low	Medium	Retain
T1512	<i>Eucalyptus chinensis</i>	桉树	LCSD	1.00	3.0	Poor	Fair	Low	Medium	Retain
T1513	<i>Bauhinia variegata</i>	洋紫荊	LCSD	7.0	6.0	Fair	Dead	Medium	Medium	Retain
T1514	<i>Bauhinia variegata</i>	洋紫荊	LCSD	7.0	6.0	Fair	Dead	Medium	Medium	Retain
T1515	<i>Bauhinia variegata</i>	洋紫荊	LCSD	7.0	6.0	Fair	Dead	Medium	Medium	Retain
T1516	<i>Bauhinia variegata</i>	洋紫荊	LCSD	11.0	6.0	Fair	Fair	Medium	Medium	Retain
T1517	<i>Bauhinia variegata</i>	洋紫荊	LCSD	11.0	6.0	Fair	Fair	Medium	Medium	Retain
T1518	<i>Bauhinia variegata</i>	洋紫荊	LCSD	7.0	6.0	Fair	Fair	Medium	Medium	Retain
T1519	<i>Bauhinia variegata</i>	洋紫荊	LCSD	8.5	6.0	Fair	Fair	Medium	Medium	Retain
T1520	<i>Bauhinia variegata</i>	洋紫荊	LCSD	9.0	6.0	Poor	Fair	Low	Medium	Retain
T1521	<i>Raytonia regia</i>	王林	LCSD	6.0	3.0	Fair	Fair	Medium	Medium	Retain
T1522	<i>Raytonia regia</i>	王林	LCSD	9.0	2.0	Fair	Fair	Medium	Medium	Retain
T1523	<i>Raytonia regia</i>	王林	LCSD	9.5	2.0	Fair	Fair	Medium	Medium	Retain
T1524	<i>Raytonia regia</i>	王林	LCSD	9.5	2.0	Fair	Fair	Medium	Medium	Retain
T1525	<i>Raytonia regia</i>	王林	LCSD	10.0	2.0	Fair	Fair	Medium	Medium	Retain
T1526	<i>Raytonia regia</i>	王林	LCSD	10.0	2.0	Fair	Fair	Medium	Medium	Retain
T1527	<i>Raytonia regia</i>	王林	LCSD	7.0	2.0	Fair	Fair	Medium	Medium	Retain
T1528	<i>Raytonia regia</i>	王林	LCSD	8.0	2.0	Fair	Fair	Medium	Medium	Retain
T1529	<i>Raytonia regia</i>	王林	LCSD	9.0	2.0	Fair	Fair	Medium	Medium	Retain
T1530	<i>Raytonia regia</i>	王林	LCSD	9.5	2.0	Fair	Fair	Medium	Medium	Retain
T1531	<i>Raytonia regia</i>	王林	LCSD	9.0	2.0	Fair	Fair	Medium	Medium	Retain
T1532	<i>Raytonia regia</i>	王林	LCSD	7.0	2.0	Fair	Fair	Medium	Medium	Retain
T1533	<i>Raytonia regia</i>	王林	LCSD	9.5	2.0	Fair	Fair	Medium	Medium	Retain
T1534	<i>Raytonia regia</i>	王林	LCSD	8.0	2.0	Fair	Fair	Medium	Medium	Retain
T1535	<i>Raytonia regia</i>	王林	LCSD	9.0	2.0	Fair	Fair	Medium	Medium	Retain
T1536	<i>Raytonia regia</i>	王林	LCSD	9.5	2.0	Fair	Fair	Medium	Medium	Retain
T1537	<i>Raytonia regia</i>	王林	LCSD	7.0	2.0	Fair	Fair	Medium	Medium	Retain
T1538	<i>Raytonia regia</i>	王林	LCSD	8.0	2.0	Fair	Fair	Medium	Medium	Retain
T1539	<i>Raytonia regia</i>	王林	LCSD	8.0	2.0	Fair	Fair	Medium	Medium	Retain
T1540	<i>Raytonia regia</i>	王林	LCSD	8.0	2.0	Fair	Fair	Medium	Medium	Retain
T1541	<i>Raytonia regia</i>	王林	LCSD	8.0	2.0	Fair	Fair	Medium	Medium	Retain
T1542	<i>Callistemon viminalis</i>	粉刺木	LCSD	7.0	6.0	Fair	Fair	Medium	Low	Retain
T1543	<i>Raytonia regia</i>	王林	LCSD	7.5	2.0	Fair	Fair	Medium	Medium	Retain
T1544	<i>Raytonia regia</i>	王林	LCSD	8.0	2.0	Fair	Fair	Medium	Medium	Retain
T1545	<i>Raytonia regia</i>	王林	LCSD	9.0	2.0	Fair	Fair	Medium	Medium	Retain
T1546	<i>Raytonia regia</i>	王林	LCSD	7.0	2.0	Fair	Fair	Medium	Medium	Retain
T1547	<i>Raytonia regia</i>	王林	LCSD	8.0	2.0	Fair	Fair	Medium	Medium	Retain
T1548	<i>Raytonia regia</i>	王林	LCSD	7.0	2.0	Fair	Fair	Medium	Medium	Retain
T1549	<i>Raytonia regia</i>	王林	LCSD	10.0	3.0	Fair	Fair	Medium	Medium	Retain
T1550	<i>Raytonia regia</i>	王林	LCSD	10.0	3.0	Fair	Fair	Medium	Medium	Retain
T1551	<i>Raytonia regia</i>	王林	LCSD	7.0	2.0	Fair	Fair	Medium	Medium	Retain
T1552	<i>Raytonia regia</i>	王林	LCSD	7.0	2.0	Fair	Fair	Medium	Medium	Retain
T1553	<i>Raytonia regia</i>	王林	LCSD	9.0	2.0	Fair	Fair	Medium	Medium	Retain
T1554	<i>Raytonia regia</i>	王林	LCSD	8.0	2.0	Fair	Fair	Medium	Medium	Retain
T1555	<i>Raytonia regia</i>	王林	LCSD	7.5	2.0	Fair	Fair	Medium	Medium	Retain
T1556	<i>Raytonia regia</i>	王林	LCSD	8.0	2.0	Fair	Fair	Medium	Medium	Retain
T1557	<i>Raytonia regia</i>	王林	LCSD	8.0	2.0	Fair	Fair	Medium	Medium	Retain
T1558	<i>Raytonia regia</i>	王林	LCSD	10.0	3.0	Fair	Fair	Medium	Medium	Retain
T1559	<i>Raytonia regia</i>	王林	LCSD	10.0	3.0	Fair	Fair	Medium	Medium	Retain
T1560	<i>Raytonia regia</i>	王林	LCSD	10.0	3.0	Fair	Fair	Medium	Medium	Retain
T1561	<i>Raytonia regia</i>	王林	LCSD	10.0	3.0	Fair	Fair	Medium	Medium	Retain
T1562	<i>Raytonia regia</i>	王林	LCSD	10.0	3.0	Fair	Fair	Medium	Medium	Retain
T1563	<i>Raytonia regia</i>	王林	LCSD	8.5	2.0	Fair	Fair	Medium	Medium	Retain
T1564	<i>Raytonia regia</i>	王林	LCSD	10.0	3.0	Fair	Fair	Medium	Medium	Retain
T1565	<i>Raytonia regia</i>	王林	LCSD	9.0	2.0	Fair	Fair	Medium	Medium	Retain
T1566	<i>Raytonia regia</i>	王林	LCSD	9.0	2.0	Fair	Fair	Medium	Medium	Retain
T1567	<i>Raytonia regia</i>	王林	LCSD	9.0	2.0	Fair	Fair	Medium	Medium	Retain
T1568	<i>Raytonia regia</i>	王林	LCSD	9.0	2.0	Fair	Fair	Medium	Medium	Retain
T1569	<i>Raytonia regia</i>	王林	LCSD	9.0	2.0	Fair	Fair	Medium	Medium	Retain
T1570	<i>Raytonia regia</i>	王林	LCSD	9.0	2.0	Fair	Fair	Medium	Medium	Retain



Tree No.	Tree Species	Chinese Name	Maintenance Dist.	Site		Crown Spread (m)	Tree Form (Good, Fair, Poor)	Health (Good, Fair, Poor)	Amnity Value (High, Medium, Low)	Survival of Tree (High, Medium, Low)	Recommendation
				Tree Height (m)	DBH (cm)						
T1071	<i>Roystonia royi</i>	土松	LCSD	9.0	26.0	4.5	Fair	Fair	Medium	Medium	Retain
T1072	<i>Roystonia royi</i>	土松	LCSD	9.0	31.0	4.5	Fair	Fair	Medium	Medium	Retain
T1074	<i>Roystonia royi</i>	土松	LCSD	9.5	32.0	4.5	Fair	Fair	Medium	Medium	Retain
T1078	<i>Roystonia royi</i>	土松	LCSD	9.5	30.0	4.5	Fair	Fair	Medium	Medium	Retain
T1077	<i>Roystonia royi</i>	土松	LCSD	10.0	32.0	4.5	Fair	Fair	Medium	Medium	Retain
T1078	<i>Roystonia royi</i>	土松	LCSD	9.5	29.0	4.5	Fair	Fair	Medium	Medium	Retain
T1079	<i>Roystonia royi</i>	土松	LCSD	10.0	33.0	4.5	Fair	Fair	Medium	Medium	Retain
T1080	<i>Roystonia royi</i>	土松	LCSD	9.5	30.0	4.5	Fair	Runny	Medium	Medium	Retain
T1081	<i>Roystonia royi</i>	土松	LCSD	9.5	30.0	4.5	Fair	Fair	Medium	Medium	Retain
T1083	<i>Roystonia royi</i>	土松	LCSD	8.0	28.0	4.0	Fair	Fair	Medium	Medium	Retain
T1085	<i>Roystonia royi</i>	土松	LCSD	8.0	28.0	4.0	Fair	Fair	Medium	Medium	Retain
T1086	<i>Roystonia royi</i>	土松	LCSD	8.0	28.0	4.0	Fair	Fair	Medium	Medium	Retain
T1087	<i>Roystonia royi</i>	土松	LCSD	7.0	23.0	4.0	Fair	Fair	Medium	Medium	Retain
T1092	<i>Callistemon viminalis</i>	野古柳	LCSD	10.0	19.0	4.0	Fair	Fair	Medium	Low	Retain
T1097	<i>Albizia virgata</i>	洋行木豆	LCSD	8.0	19.0	5.0	Poor	Fair	Low	Low	Retain
T1098	<i>Bauhinia bhairavi</i>	洋紫荆	LCSD	12.0	10.0	8.0	Poor	Fair	Low	Medium	Retain
T1099	<i>Naya sinensis</i>	白木槿	LCSD	14.0	27.0	12.0	Fair	Fair	Medium	Low	Retain
T1123	<i>Naya sinensis</i>	白木槿	LCSD	12.0	32.0	8.0	Fair	Fair	Medium	Low	Retain
T1149	<i>Naya sinensis</i>	白木槿	LCSD	12.0	28.0	10.0	Fair	Fair	Medium	Low	Retain
T1174	<i>Naya sinensis</i>	白木槿	LCSD	12.0	33.0	12.0	Fair	Fair	Medium	Low	Retain
T1185	<i>Bauhinia bhairavi</i>	洋紫荆	LCSD	7.0	23.0	5.0	Fair	Fair	Medium	Medium	Retain
T1172	<i>Lagerströmia speciosa</i>	大花紫薇	LCSD	7.0	19.0	15.0	Fair	Fair	Medium	Low	Retain
T1174	<i>Lagerströmia speciosa</i>	大花紫薇	LCSD	7.0	12.0	8.5	Fair	Fair	Medium	Low	Retain
T1175	<i>Lagerströmia speciosa</i>	大花紫薇	LCSD	8.0	11.0	8.5	Fair	Fair	Medium	Low	Retain
T1029	<i>Roystonia royi</i>	土松	LCSD	10.0	30.0	4.5	Fair	Fair	Medium	Medium	Retain
T1053	<i>Ficus religiosa</i>	菩提樹	LCSD	3.0	18.0	3.0	Fair	Fair	Medium	Medium	Retain
T1058	<i>Ficus religiosa</i>	菩提樹	LCSD	5.0	10.0	4.0	Fair	Fair	Medium	Medium	Retain
T1059	<i>Ficus religiosa</i>	菩提樹	LCSD	7.0	12.0	6.0	Fair	Fair	Medium	Medium	Retain
T1060	<i>Naya sinensis</i>	白木槿	LCSD	9.0	24.0	7.0	Fair	Fair	Medium	Low	Retain
T1061	<i>Naya sinensis</i>	白木槿	LCSD	10.0	29.0	10.0	Fair	Fair	Medium	Low	Retain
T1062	<i>Naya sinensis</i>	白木槿	LCSD	9.0	30.0	7.0	Fair	Fair	Medium	Low	Retain
T1063	<i>Naya sinensis</i>	白木槿	LCSD	7.0	22.0	7.0	Poor	Fair	Low	Low	Retain
T1064	<i>Naya sinensis</i>	白木槿	LCSD	8.0	22.0	8.0	Fair	Fair	Medium	Low	Retain
T1074	<i>Ficus religiosa</i>	菩提樹	LCSD	8.0	26.0	7.0	Fair	Fair	Medium	Medium	Retain
T1075	<i>Ficus religiosa</i>	菩提樹	LCSD	8.0	27.0	8.0	Fair	Fair	Medium	Medium	Retain
T1076	<i>Ficus religiosa</i>	菩提樹	LCSD	8.0	27.0	8.0	Fair	Fair	Medium	Medium	Retain
T1077	<i>Ficus religiosa</i>	菩提樹	LCSD	8.5	24.0	7.0	Fair	Fair	Medium	Medium	Retain
T1078	<i>Ficus religiosa</i>	菩提樹	LCSD	8.5	29.0	7.0	Fair	Fair	Medium	Medium	Retain
T1079	<i>Ficus religiosa</i>	菩提樹	LCSD	8.0	30.0	6.0	Fair	Fair	Medium	Medium	Retain
T1080	<i>Ficus religiosa</i>	菩提樹	LCSD	8.0	21.0	8.0	Fair	Fair	Medium	Medium	Retain
T1081	<i>Ficus religiosa</i>	菩提樹	LCSD	8.0	23.0	8.5	Fair	Fair	Medium	Medium	Retain
T1082	<i>Ficus religiosa</i>	菩提樹	LCSD	8.0	24.0	7.0	Fair	Fair	Medium	Medium	Retain
T1084	<i>Ficus religiosa</i>	菩提樹	LCSD	7.0	21.0	8.0	Fair	Fair	Medium	Medium	Retain
T1085	<i>Ficus religiosa</i>	菩提樹	LCSD	7.0	19.0	8.0	Fair	Fair	Medium	Medium	Retain
T1087	<i>Ficus religiosa</i>	菩提樹	LCSD	8.0	22.0	7.0	Fair	Fair	Medium	Medium	Retain
T1088	<i>Ficus religiosa</i>	菩提樹	LCSD	7.0	18.0	8.0	Fair	Fair	Medium	Medium	Retain
T1088	<i>Ficus religiosa</i>	菩提樹	LCSD	8.0	19.0	7.0	Fair	Fair	Medium	Medium	Retain

Tree Information of Retained Tree

Tree No.	Tree Species	Chinese Name	Maintenance Dept.	Site			Crown Spread (m)	Tree Form (Good, Fair, Poor)	Health (Good, Fair, Poor)	Arrest Value (High, Medium, Low)	Survival of Tree (High, Medium, Low)	Recommendation
				Tree Height (m)	DBH (cm)	Splayed (m)						
T1849	Ficus beryliacea	墨麒麟	LCSD	7.5	200	6.0	Fair	Fair	Medium	Medium	Retain	
T1890	Ficus beryliacea	五加皮	LCSD	7.5	220	6.0	Fair	Fair	Medium	Medium	Retain	
T1891	Ficus beryliacea	五加皮	LCSD	7.5	170	7.0	Fair	Fair	Medium	Medium	Retain	
T1892	Ficus beryliacea	墨麒麟	LCSD	8.0	200	7.0	Fair	Fair	Medium	Medium	Retain	
T1893	Ficus beryliacea	墨麒麟	LCSD	8.0	180	6.0	Fair	Fair	Medium	Medium	Retain	
T1896	Ficus beryliacea	五加皮	LCSD	7.0	200	4.0	Fair	Fair	Medium	Medium	Retain	
T1897	Ficus beryliacea	五加皮	LCSD	7.0	185	4.0	Fair	Fair	Medium	Medium	Retain	
T1898	Ficus beryliacea	五加皮	LCSD	7.0	195	3.5	Fair	Fair	Medium	Medium	Retain	
T1929	Ficus beryliacea	五加皮	LCSD	7.0	175	3.0	Fair	Fair	Medium	Medium	Retain	
T1930	Ficus beryliacea	五加皮	LCSD	7.0	178	2.0	Fair	Fair	Medium	Medium	Retain	
T1931	Ficus beryliacea	五加皮	LCSD	7.0	175	2.0	Fair	Fair	Medium	Medium	Retain	
T1932	Ficus beryliacea	墨麒麟	LCSD	7.0	175	2.0	Fair	Fair	Medium	Medium	Retain	
T1933	Ficus beryliacea	五加皮	LCSD	7.0	180	2.0	Fair	Fair	Medium	Medium	Retain	
T1934	Ficus beryliacea	五加皮	LCSD	7.0	180	2.0	Fair	Fair	Medium	Medium	Retain	
T1935	Ficus beryliacea	五加皮	LCSD	6.5	185	2.0	Fair	Fair	Medium	Medium	Retain	
T1936	Ficus beryliacea	五加皮	LCSD	7.5	185	2.0	Fair	Fair	Medium	Medium	Retain	
T1937	Ficus beryliacea	五加皮	LCSD	7.0	180	2.0	Fair	Fair	Medium	Medium	Retain	
T1938	Ficus beryliacea	五加皮	LCSD	7.0	185	2.0	Fair	Fair	Medium	Medium	Retain	
T1939	Ficus beryliacea	墨麒麟	LCSD	7.0	185	2.0	Fair	Fair	Medium	Medium	Retain	
T1940	Ficus beryliacea	五加皮	MTREGLCSD	8.0	200	3.0	Fair	Fair	Medium	Medium	Retain	
T1941	Ficus beryliacea	五加皮	MTREGLCSD	7.0	200	3.0	Fair	Fair	Medium	Medium	Retain	
T1942	Ficus beryliacea	五加皮	MTREGLCSD	6.0	185	2.5	Fair	Fair	Medium	Medium	Retain	
T1943	Ficus beryliacea	五加皮	MTREGLCSD	6.0	210	2.0	Fair	Fair	Medium	Medium	Retain	
T1944	Ficus beryliacea	五加皮	MTREGLCSD	7.0	180	2.0	Fair	Fair	Medium	Medium	Retain	
T1945	Ficus beryliacea	五加皮	MTREGLCSD	7.0	210	2.0	Fair	Fair	Medium	Medium	Retain	
T1946	Ficus beryliacea	五加皮	MTREGLCSD	7.0	210	2.5	Fair	Fair	Medium	Medium	Retain	
T1947	Ficus beryliacea	五加皮	MTREGLCSD	6.0	175	2.5	Fair	Fair	Medium	Medium	Retain	
T1948	Ficus beryliacea	五加皮	MTREGLCSD	8.0	200	3.0	Fair	Fair	Medium	Medium	Retain	
T1949	Ficus beryliacea	五加皮	MTREGLCSD	6.0	185	2.5	Fair	Fair	Medium	Medium	Retain	
T1950	Ficus beryliacea	五加皮	MTREGLCSD	8.0	200	5.0	Fair	Fair	Medium	Medium	Retain	
T1951	Ficus beryliacea	五加皮	MTREGLCSD	6.0	200	6.0	Fair	Fair	Medium	Medium	Retain	
T1952	Ficus beryliacea	五加皮	MTREGLCSD	6.5	250	6.0	Fair	Fair	Medium	Medium	Retain	
T1953	Ficus beryliacea	五加皮	MTREGLCSD	7.0	190	3.0	Fair	Fair	Medium	Medium	Retain	
T1954	Ficus beryliacea	五加皮	MTREGLCSD	6.0	175	2.0	Fair	Fair	Medium	Medium	Retain	
T1955	Ficus beryliacea	五加皮	MTREGLCSD	7.0	180	2.0	Fair	Fair	Medium	Medium	Retain	
T1956	Ficus beryliacea	五加皮	MTREGLCSD	7.0	225	3.0	Fair	Fair	Medium	Medium	Retain	
T1957	Ficus beryliacea	五加皮	MTREGLCSD	7.0	200	5.0	Fair	Fair	Medium	Medium	Retain	
T1958	Ficus beryliacea	五加皮	MTREGLCSD	7.0	210	4.0	Fair	Fair	Medium	Medium	Retain	
T1959	Ficus beryliacea	五加皮	MTREGLCSD	7.0	215	4.0	Fair	Fair	Medium	Medium	Retain	
T1960	Ficus beryliacea	五加皮	MTREGLCSD	7.0	175	4.0	Fair	Fair	Medium	Medium	Retain	
T1961	Ficus beryliacea	五加皮	MTREGLCSD	6.5	190	4.0	Fair	Fair	Medium	Medium	Retain	
T1962	Ficus beryliacea	五加皮	MTREGLCSD	7.5	190	4.0	Fair	Fair	Medium	Medium	Retain	
T1963	Ficus beryliacea	五加皮	MTREGLCSD	7.0	175	4.0	Fair	Fair	Medium	Medium	Retain	
T1964	Ficus beryliacea	五加皮	MTREGLCSD	7.5	180	4.0	Fair	Fair	Medium	Medium	Retain	
T1965	Ficus beryliacea	五加皮	MTREGLCSD	7.5	175	4.0	Fair	Fair	Medium	Medium	Retain	
T1966	Ficus beryliacea	五加皮	LCSD	8.0	170	5.0	Fair	Fair	Medium	Medium	Retain	
T1967	Ficus beryliacea	五加皮	LCSD	8.0	170	6.0	Fair	Fair	Medium	Medium	Retain	
T1970	Ficus beryliacea	五加皮	LCSD	8.0	180	8.0	Fair	Fair	Medium	Medium	Retain	

Tree Information of Retained Tree

Tree No.	Tree Species	Chinese Name	Maintenance Desc.	Size		Crown Spread (m)	Tree Form (Good, Fair, Poor)	Health (Good, Fair, Poor)	Aerily Value (High, Medium, Low)	Survival of Tree (High, Medium, Low)	Recommendation
				Tree Height (m)	DBH (cm)						
T1971	Ficus beryliana	銀桂	LCSD	5.7	170	4.5	Fair	Fair	Medium	Medium	Retain
T1972	Ficus beryliana	銀桂	LCSD	6.5	250	4.0	Fair	Fair	Medium	Medium	Retain
T1973	Ficus beryliana	銀桂	LCSD	7.0	240	7.0	Fair	Fair	Medium	Medium	Retain
T1974	Ficus beryliana	銀桂	LCSD	7.0	220	7.0	Fair	Fair	Medium	Medium	Retain
T1975	Ficus beryliana	銀桂	LCSD	6.0	170	5.0	Fair	Fair	Medium	Medium	Retain
T1976	Ficus beryliana	銀桂	LCSD	4.0	150	3.0	Fair	Poor	Medium	Medium	Retain
T1977	Ficus beryliana	銀桂	LCSD	4.5	180	5.0	Fair	Fair	Medium	Medium	Retain
T1978	Melaleuca argenteovirens	白千層	LCSD	5.0	140	2.5	Fair	Fair	Medium	Medium	Retain
T1979	Melaleuca argenteovirens	白千層	LCSD	5.0	150	2.0	Fair	Fair	Medium	Medium	Retain
T1980	Melaleuca argenteovirens	白千層	LCSD	5.0	150	2.5	Fair	Fair	Medium	Medium	Retain
T1981	Melaleuca argenteovirens	白千層	LCSD	6.0	170	2.5	Fair	Fair	Medium	Medium	Retain
T1982	Melaleuca argenteovirens	白千層	LCSD	6.0	140	2.0	Fair	Fair	Medium	Medium	Retain
T2001	Ficus beryliana	銀桂	MTRR/LCSD	6.5	200	5.0	Fair	Fair	Medium	Medium	Retain
T2002	Ficus beryliana	銀桂	MTRR/LCSD	6.5	190	5.0	Fair	Fair	Medium	Medium	Retain
T2003	Ficus beryliana	銀桂	MTRR/LCSD	6.0	150	4.5	Fair	Fair	Medium	Medium	Retain
T2004	Ficus beryliana	銀桂	MTRR/LCSD	6.0	190	5.0	Fair	Fair	Medium	Medium	Retain
T2005	Ficus beryliana	銀桂	MTRR/LCSD	6.0	200	5.0	Fair	Fair	Medium	Medium	Retain
T2006	Ficus beryliana	銀桂	MTRR/LCSD	6.0	200	5.0	Fair	Fair	Medium	Medium	Retain
T2007	Ficus beryliana	銀桂	MTRR/LCSD	6.0	190	5.0	Fair	Fair	Medium	Medium	Retain
T2008	Ficus beryliana	銀桂	MTRR/LCSD	6.0	190	7.0	Fair	Dead	Medium	Medium	Retain
T2009	Ficus beryliana	銀桂	MTRR/LCSD	6.0	210	5.0	Fair	Dead	Medium	Medium	Retain
T2010	Ficus beryliana	銀桂	MTRR/LCSD	3.0	100	5.0	Fair	Fair	Medium	Medium	Retain
T2011	Ficus beryliana	銀桂	MTRR/LCSD	7.0	290	6.0	Fair	Fair	Medium	Medium	Retain
T2012	Ficus beryliana	銀桂	MTRR/LCSD	6.0	250	5.0	Fair	Fair	Medium	Medium	Retain
T2017	Melaleuca argenteovirens	白千層	LCSD	5.0	90	5.0	Fair	Reversed	Medium	Medium	Retain
T2015	Melaleuca argenteovirens	白千層	LCSD	2.5	95	4.0	Fair	Reversed	Medium	Medium	Retain
AT010	Ficus beryliana	銀桂	LCSD	7.0	320	6.0	Fair	Fair	Medium	Medium	Retain
AT011	Ficus beryliana	銀桂	LCSD	7.0	110	5.0	Fair	Fair	Medium	Medium	Retain
AT012	Ficus beryliana	銀桂	LCSD	7.0	115	5.0	Fair	Fair	Medium	Medium	Retain
AT013	Melaleuca argenteovirens	白千層	LCSD	7.0	110	4.0	Fair	Fair	Medium	Medium	Retain
AT014	Melaleuca argenteovirens	白千層	LCSD	6.0	130	6.0	Fair	Fair	Medium	Medium	Retain
AT015	Melaleuca argenteovirens	白千層	LCSD	5.0	120	2.0	Fair	Fair	Medium	Medium	Retain
AT019	Melaleuca argenteovirens	白千層	LCSD	5.0	140	2.0	Fair	Fair	Medium	Medium	Retain
AT020	Melaleuca argenteovirens	白千層	LCSD	6.0	120	6.0	Fair	Fair	Medium	Medium	Retain
AT021	Eugenia speciosa	八宝树	LCSD	5.0	120	5.0	Fair	Fair	Medium	Medium	Retain
AT029	Bournea obtusata	海欖	LCSD	5.0	95	5.0	Fair	Dead	Medium	Medium	Retain
AT031	Bournea obtusata	海欖	LCSD	7.0	110	4.0	Fair	Fair	Low	Medium	Retain
AT032	Bournea obtusata	海欖	LCSD	7.0	125	5.0	Fair	Fair	Low	Medium	Retain
AT033	Bournea obtusata	海欖	LCSD	6.0	110	5.0	Fair	Fair	Low	Medium	Retain
AT041	Kaya argenteovirens	銀桂	LCSD	8	290	4.0	Fair	Poor	Medium	Medium	Retain
AT042	Kaya argenteovirens	銀桂	LCSD	9	300	3.5	Fair	Fair	Medium	Medium	Retain
AT043	Kaya argenteovirens	銀桂	LCSD	6	270	3.5	Fair	Fair	Medium	Medium	Retain
AT044	Kaya argenteovirens	銀桂	LCSD	6	190	2.0	Fair	Poor	Medium	Medium	Retain

Tree Information of Retained Trees

Tree No.	Tree Species	Chinese Name	Maintenance Dept.	Size		Tree Form (Good, Fair, Poor)	Health (Good, Moderate, Low)	Arms/Value (High, Medium, Low)	Survival of Tree (High, Medium, Low)	Recommendation
				Tree Height (m)	DBH (cm)					
AT042	<i>Albizia samabense</i>	白千层	LCSD	5	170	3.0	Fair	Medium	Medium	Retain
AT047	<i>Albizia samabense</i>	白千层	LCSD	10	190	4.0	Fair	Medium		Retain
AT054	<i>Acrocomia fraxinea</i>	椰子树	LCSD	7	180	2.0	poor	Low	Low	Retain
AT055	<i>Acrocomia fraxinea</i>	椰子树	LCSD	4.5	110	2.0	Fair	Low	Low	Retain
AT055	<i>Excoecaria agallocha</i>	木豆树	LCSD	5	110	3.0	Fair	Low	Low	Retain

Tree No.	Tree Species	Chinese Name	Maintenance Dept.	Size		Crown Spread (m)	The Form (Good, Fair, Poor)	Health (Good, Fair, Poor)	Anxiety Value (High, Medium, Low)	Survival of Transplant (High, Medium, Low)	Recommendation	Date of Transplant to Holding Nursery	Temporary Holding Nursery	Final Transplanting Location
				Tree Height (m)	DBH (cm)									
T1223	<i>Roystonia roylei</i>	洋槐	LCS0	8.0	28	4.5	Fair	Fair	Medium	Medium	Transplant		Central	
T1224	<i>Roystonia roylei</i>	洋槐	LCS0	5.5	17	3.0	Fair	Fair	Medium	Medium	Transplant	Kam Tin area 3b	Central	
T1225	<i>Roystonia roylei</i>	洋槐	LCS0	8.0	27	4.0	Fair	Fair	Medium	Medium	Transplant		Central	
T1227	<i>Roystonia roylei</i>	洋槐	LCS0	5.0	14	3.0	Fair	Fair	Medium	Medium	Transplant	Kam Tin area 3b	Central	
T1228	<i>Roystonia roylei</i>	洋槐	LCS0	5.5	25	3.5	Fair	Fair	Medium	Medium	Transplant	Kam Tin area 3b	Central	
T1229	<i>Roystonia roylei</i>	洋槐	LCS0	5.5	15	3.5	Fair	Fair	Medium	Medium	Transplant	Direct transplant	Central	
T1230	<i>Roystonia roylei</i>	洋槐	LCS0	5.5	20	3.0	Fair	Fair	Medium	Medium	Transplant	Direct transplant	Central	
T1233	<i>Albizia julibrissin</i>	洋槐	LCS0	7.0	22	5.0	Fair	Fair	Medium	Low	Transplant	Kam Tin area 2	CIS-Rumsey	
T1236	<i>Albizia julibrissin</i>	洋槐	LCS0	6.0	13	4.0	Fair	Fair	Medium	Low	Transplant	Kam Tin area 2	CIS-Rumsey	
T1238	<i>Roystonia roylei</i>	洋槐	LCS0	6.0	26	4.0	Fair	Fair	Medium	Medium	Transplant	Kam Tin area 1	Central	
T1242	<i>Roystonia roylei</i>	洋槐	LCS0	9.5	33	4.5	Poor	Poor	Low	Low	Transplant	25-Jan-11	Central	
T1243	<i>Roystonia roylei</i>	洋槐	LCS0	10.0	27	4.5	Poor	Poor	Low	Low	Transplant	25-Jan-11	Central	
T1246	<i>Bauhinia baillonei</i>	洋槐	LCS0	4.5	11	5.0	Fair	Fair	Medium	Medium	Transplant	10-Mar-12	Central	
T1273	<i>Roystonia roylei</i>	洋槐	LCS0	7.0	23	4.0	Fair	Fair	Medium	Medium	Transplant	24-Jun-11	Central	
T1274	<i>Roystonia roylei</i>	洋槐	LCS0	7.0	19	4.0	Fair	Fair	Medium	Medium	Transplant	24-Jun-11	Central	
T1277	<i>Roystonia roylei</i>	洋槐	LCS0	6.0	17	4.5	Poor	Poor	Low	Low	Transplant	21-Mar-12	Central	
T1281	<i>Albizia julibrissin</i>	洋槐	LCS0	6.0	18	6.0	Poor	Poor	Low	Low	Transplant	24-Jun-12	CIS-Rumsey	
T1283	<i>Albizia julibrissin</i>	洋槐	LCS0	7.0	14	5.0	Fair	Fair	Medium	Low	Transplant	26-Apr-12	CIS-Rumsey	
T1284	<i>Albizia julibrissin</i>	洋槐	LCS0	7.0	18	6.0	Fair	Fair	Medium	Low	Transplant	27-Apr-12	CIS-Rumsey	
T1285	<i>Albizia julibrissin</i>	洋槐	LCS0	6.0	15	6.0	Fair	Fair	Medium	Low	Transplant	27-Apr-12	CIS-Rumsey	
T1288	<i>Albizia julibrissin</i>	洋槐	LCS0	6.0	21	6.0	Fair	Fair	Medium	Low	Transplant	27-Apr-12	CIS-Rumsey	
T1293	<i>Roystonia roylei</i>	洋槐	LCS0	7.0	22	4.0	Fair	Fair	Medium	Low	Transplant	30-Apr-12	CIS-Rumsey	
T1294	<i>Roystonia roylei</i>	洋槐	LCS0	6.0	20	4.0	Fair	Fair	Medium	Medium	Transplant	20-Mar-12	Central	
T1295	<i>Roystonia roylei</i>	洋槐	LCS0	5.5	21	4.0	Fair	Fair	Medium	Medium	Transplant	20-Mar-12	Central	
T1295	<i>Roystonia roylei</i>	洋槐	LCS0	6.0	20	4.0	Fair	Fair	Medium	Medium	Transplant	20-Mar-12	Central	
T1296	<i>Roystonia roylei</i>	洋槐	LCS0	5.5	14	3.5	Fair	Fair	Medium	Medium	Transplant	19-Mar-12	Central	
T1298	<i>Roystonia roylei</i>	洋槐	LCS0	6.0	20	3.5	Fair	Fair	Medium	Low	Transplant	19-Mar-12	Central	
T1300	<i>Roystonia roylei</i>	洋槐	LCS0	7.0	19	4.0	Fair	Fair	Medium	Medium	Transplant	17-Mar-12	Central	
T1301	<i>Roystonia roylei</i>	洋槐	LCS0	6.0	20	5.0	Fair	Fair	Medium	Medium	Transplant	17-Mar-12	Central	
T1302	<i>Roystonia roylei</i>	洋槐	LCS0	5.5	14	3.5	Fair	Fair	Medium	Medium	Transplant	17-Mar-12	Central	
T1303	<i>Roystonia roylei</i>	洋槐	LCS0	6.0	16	3.0	Fair	Fair	Medium	Medium	Transplant	16-Mar-12	Central	
T1304	<i>Roystonia roylei</i>	洋槐	LCS0	6.0	20	3.0	Fair	Fair	Medium	Medium	Transplant	16-Mar-12	Central	
T1305	<i>Albizia julibrissin</i>	洋槐	LCS0	3.5	17	1.5	Fair	Fair	Medium	Low	Transplant	19-Apr-12	CIS-Rumsey	
T1306	<i>Albizia julibrissin</i>	洋槐	LCS0	6.0	17	6.0	Fair	Fair	Medium	Medium	Transplant	23-Apr-12	CIS-Rumsey	
T1321	<i>Albizia julibrissin</i>	洋槐	LCS0	4.5	11	3.5	Fair	Fair	Medium	Low	Transplant	16-Apr-12	CIS-Rumsey	
T1322	<i>Albizia julibrissin</i>	洋槐	LCS0	4.0	11	2.0	Fair	Fair	Medium	Low	Transplant	16-Apr-12	CIS-Rumsey	
T1343	<i>Erythrina variegata</i>	洋槐	LCS0	9.0	20	6.0	Fair	Fair	Medium	Medium	Transplant	2-Mar-12	CIS-Rumsey	
T1344	<i>Erythrina variegata</i>	洋槐	LCS0	7.0	16	6.0	Fair	Fair	Medium	Medium	Transplant	3-Mar-12	CIS-Rumsey	
T1346	<i>Albizia julibrissin</i>	洋槐	LCS0	6.5	16	4.0	Fair	Fair	Medium	Medium	Transplant	15-Mar-12	Central	
T1347	<i>Roystonia roylei</i>	洋槐	LCS0	7.0	30	4.0	Fair	Fair	Medium	Medium	Transplant	15-Mar-12	Central	
T1348	<i>Roystonia roylei</i>	洋槐	LCS0	6.0	25	4.0	Fair	Fair	Medium	Medium	Transplant	15-Mar-12	Central	
T1350	<i>Roystonia roylei</i>	洋槐	LCS0	7.0	24	4.0	Fair	Fair	Medium	Medium	Transplant	14-Mar-12	Central	
T1352	<i>Roystonia roylei</i>	洋槐	LCS0	7.0	24	4.0	Fair	Fair	Medium	Medium	Transplant	13-Mar-12	Central	
T1353	<i>Roystonia roylei</i>	洋槐	LCS0	7.5	26	4.0	Fair	Fair	Medium	Medium	Transplant	13-Mar-12	Central	
T1354	<i>Roystonia roylei</i>	洋槐	LCS0	6.0	31	4.0	Fair	Fair	Medium	Medium	Transplant	7-Mar-12	Central	
T1355	<i>Roystonia roylei</i>	洋槐	LCS0	6.0	31	4.0	Fair	Fair	Medium	Medium	Transplant	7-Mar-12	Central	
T1357	<i>Roystonia roylei</i>	洋槐	LCS0	7.0	27	4.0	Fair	Fair	Medium	Medium	Transplant	29-Aug-11	Central	
T1359	<i>Albizia julibrissin</i>	洋槐	LCS0	5.0	14	3.0	Fair	Fair	Medium	Medium	Transplant	29-Aug-11	Central	
T1360	<i>Roystonia roylei</i>	洋槐	LCS0	6.0	25	4.0	Fair	Fair	Medium	Medium	Transplant	29-Aug-11	Central	
T1362	<i>Roystonia roylei</i>	洋槐	LCS0	7.5	24	4.0	Fair	Fair	Medium	Medium	Transplant	2-Sep-11	Central	



Tree No.	Tree Species	Chinese Name	Mānuka Displ.	Site		Crown Spread (m)	Tree Height (m)	DBH (mm)	Threat from Wind (Fair, Poor, Dead/Remove)	Health (Good, Fair, Poor, Dead/Remove)	Away/Value (High, Medium, Low)	Specialist Transplantation (High, Medium, Low)	Recommendation	Date of Transplant to holding nursery	Temporary Holding Nursery	Final Transplanting location
				Tree Height (m)	DBH (mm)											
T1456	<i>Ficus adriana</i>	山仔 (山仔)	LCSD	4.0	135	3.0	4.0	135	Fair	Fair	Medium	Medium	Transplant	31-Jul-12	Kam To area 2	C1B-Runway
T1457	<i>Ficus adriana</i>	山仔 (山仔)	LCSD	4.5	140	3.0	4.5	140	Fair	Fair	Medium	Medium	Transplant	31-Jul-12	Kam To area 2	C1B-Runway
T1459	<i>Ficus adriana</i>	山仔 (山仔)	LCSD	5.0	210	4.0	5.0	210	Fair	Fair	Medium	Medium	Transplant	29-Aug-11	Kam To area 1	C1B-Runway
T1461	<i>Ficus adriana</i>	山仔 (山仔)	LCSD	5.0	280	5.0	5.0	280	Fair	Fair	Medium	Medium	Transplant	4-Aug-11	Kam To area 1	C1B-Runway
T1463	<i>Roystonia regia</i>	山仔	LCSD	7.0	275	4.0	7.0	275	Fair	Fair	Medium	Medium	Transplant	15-Aug-11	Kam To area 1	Central
T1464	<i>Roystonia regia</i>	山仔	LCSD	7.0	280	4.0	7.0	280	Fair	Fair	Medium	Medium	Transplant	15-Aug-11	Kam To area 1	Central
T1466	<i>Roystonia regia</i>	山仔	LCSD	9.0	310	4.5	9.0	310	Fair	Fair	Medium	Medium	Transplant	14-Aug-11	Kam To area 1	Central
T1467	<i>Roystonia regia</i>	山仔	LCSD	9.0	300	4.0	9.0	300	Fair	Fair	Medium	Medium	Transplant	14-Aug-11	Kam To area 1	Central
T1468	<i>Roystonia regia</i>	山仔	LCSD	6.5	180	4.0	6.5	180	Fair	Fair	Medium	Medium	Transplant	15-Aug-11	Kam To area 1	Central
T1469	<i>Roystonia regia</i>	山仔	LCSD	6.0	300	4.5	6.0	300	Fair	Fair	Medium	Medium	Transplant	15-Aug-11	Kam To area 1	Central
T1470	<i>Roystonia regia</i>	山仔	LCSD	6.5	340	4.0	6.5	340	Fair	Fair	Medium	Medium	Transplant	15-Aug-11	Kam To area 1	Central
T1471	<i>Roystonia regia</i>	山仔	LCSD	7.0	300	4.0	7.0	300	Fair	Fair	Medium	Medium	Transplant	14-Aug-11	Kam To area 1	Central
T1471	<i>Roystonia regia</i>	山仔	LCSD	6.5	310	4.0	6.5	310	Fair	Fair	Medium	Medium	Transplant	15-Aug-11	Kam To area 1	Central
T1477	<i>Roystonia regia</i>	山仔	LCSD	6.0	190	4.0	6.0	190	Fair	Fair	Medium	Medium	Transplant	25-Aug-11	Kam To area 1	Central
T1478	<i>Roystonia regia</i>	山仔	LCSD	6.5	220	4.0	6.5	220	Fair	Fair	Medium	Medium	Transplant	25-Aug-11	Kam To area 1	Central
T1479	<i>Roystonia regia</i>	山仔	LCSD	6.0	180	4.0	6.0	180	Fair	Fair	Medium	Medium	Transplant	26-Aug-11	Kam To area 1	Central
T1480	<i>Roystonia regia</i>	山仔	LCSD	6.0	180	4.0	6.0	180	Fair	Fair	Medium	Medium	Transplant	26-Aug-11	Kam To area 1	Central
T1481	<i>Roystonia regia</i>	山仔	LCSD	7.0	220	5.0	7.0	220	Fair	Fair	Medium	Medium	Transplant	6-Sep-11	Kam To area 1	Central
T1481	<i>Roystonia regia</i>	山仔	LCSD	7.0	200	5.0	7.0	200	Fair	Fair	Medium	Medium	Transplant	6-Sep-11	Kam To area 1	Central
T1482	<i>Roystonia regia</i>	山仔	LCSD	7.0	210	4.0	7.0	210	Fair	Fair	Medium	Medium	Transplant	6-Sep-11	Kam To area 1	Central
T1483	<i>Roystonia regia</i>	山仔	LCSD	7.0	190	4.5	7.0	190	Fair	Fair	Medium	Medium	Transplant	6-Sep-11	Kam To area 1	Central
T1484	<i>Roystonia regia</i>	山仔	LCSD	7.0	190	4.0	7.0	190	Fair	Fair	Medium	Medium	Transplant	6-Sep-11	Kam To area 1	Central
T1485	<i>Roystonia regia</i>	山仔	LCSD	6.5	200	5.0	6.5	200	Fair	Fair	Medium	Medium	Transplant	6-Sep-11	Kam To area 1	Central
T1486	<i>Roystonia regia</i>	山仔	LCSD	7.0	190	4.0	7.0	190	Fair	Fair	Medium	Medium	Transplant	6-Sep-11	Kam To area 1	Central
T1487	<i>Roystonia regia</i>	山仔	LCSD	7.0	190	4.5	7.0	190	Fair	Fair	Medium	Medium	Transplant	6-Sep-11	Kam To area 1	Central
T1488	<i>Roystonia regia</i>	山仔	LCSD	7.0	200	4.0	7.0	200	Fair	Fair	Medium	Medium	Transplant	6-Sep-11	Kam To area 1	Central
T1490	<i>Roystonia regia</i>	山仔	LCSD	7.0	180	5.0	7.0	180	Fair	Fair	Medium	Medium	Transplant	31-Aug-11	Kam To area 1	Central
T1491	<i>Roystonia regia</i>	山仔	LCSD	7.0	200	5.0	7.0	200	Fair	Fair	Medium	Medium	Transplant	31-Aug-11	Kam To area 1	Central
T1493	<i>Roystonia regia</i>	山仔	LCSD	6.5	240	5.0	6.5	240	Fair	Fair	Medium	Medium	Transplant	5-Jul-11	Kam To area 1	C1B-Runway
T1494	<i>Roystonia regia</i>	山仔	LCSD	7.0	250	5.0	7.0	250	Fair	Fair	Medium	Medium	Transplant	5-Jul-11	Kam To area 1	C1B-Runway
T1496	<i>Roystonia regia</i>	山仔	LCSD	7.0	220	5.0	7.0	220	Fair	Fair	Medium	Medium	Transplant	24-Jun-11	Kam To area 1	C1B-Runway
T1498	<i>Roystonia regia</i>	山仔	LCSD	7.0	210	5.0	7.0	210	Fair	Fair	Medium	Medium	Transplant	24-Jun-11	Kam To area 1	C1B-Runway
T1499	<i>Roystonia regia</i>	山仔	LCSD	6.0	240	5.0	6.0	240	Fair	Fair	Medium	Medium	Transplant	24-Jun-11	Kam To area 1	C1B-Runway
T1499	<i>Roystonia regia</i>	山仔	LCSD	6.0	210	5.0	6.0	210	Fair	Fair	Medium	Medium	Transplant	24-Jun-11	Kam To area 1	C1B-Runway
T1500	<i>Roystonia regia</i>	山仔	LCSD	6.5	210	5.0	6.5	210	Fair	Fair	Medium	Medium	Transplant	15-Jun-11	Kam To area 1	C1B-Runway
T1500	<i>Roystonia regia</i>	山仔	LCSD	6.5	230	4.0	6.5	230	Fair	Fair	Medium	Medium	Transplant	15-Jun-11	Kam To area 1	C1B-Runway
T1509	<i>Roystonia regia</i>	山仔	LCSD	7.0	260	4.0	7.0	260	Fair	Fair	Medium	Medium	Transplant			Central
T1590	<i>Roystonia regia</i>	山仔	LCSD	6.0	312	4.0	6.0	312	Fair	Fair	Medium	Medium	Transplant			Central
T1710	<i>Roystonia regia</i>	山仔	LCSD	8.0	210	6.0	8.0	210	Fair	Fair	Medium	Medium	Transplant			Central
T1712	<i>Roystonia regia</i>	山仔	LCSD	8.0	210	6.0	8.0	210	Fair	Fair	Medium	Medium	Transplant			Central
T1723	<i>Roystonia regia</i>	山仔	LCSD	11.0	350	4.5	11.0	350	Fair	Fair	Medium	Medium	Transplant			Central
T1726	<i>Roystonia regia</i>	山仔	LCSD	10.0	350	4.5	10.0	350	Fair	Fair	Medium	Medium	Transplant			Central
T1762	<i>Roystonia regia</i>	山仔	LCSD	6.0	150	6.0	6.0	150	Fair	Fair	Medium	Medium	Transplant	16-Nov-15		Central
T1776	<i>Roystonia regia</i>	山仔	LCSD	6.0	165	7.0	6.0	165	Fair	Fair	Medium	Medium	Transplant	27-Feb-13	Kam To area 2b	C1B-Runway
T1777	<i>Roystonia regia</i>	山仔	LCSD	6.5	165	7.0	6.5	165	Fair	Fair	Medium	Medium	Transplant	14-Mar-13	Kam To area 2b	C1B-Runway
T1778	<i>Roystonia regia</i>	山仔	LCSD	6.0	140	6.0	6.0	140	Poor	Poor	Medium	Medium	Transplant	14-Mar-13	Kam To area 2b	C1B-Runway
T1810	<i>Roystonia regia</i>	山仔	LCSD	9.0	300	4.5	9.0	300	Poor	Poor	Medium	Medium	Transplant		Direct Transplant	Central
T1811	<i>Roystonia regia</i>	山仔	LCSD	11.0	300	4.5	11.0	300	Fair	Fair	Medium	Medium	Transplant		Direct Transplant	Central
T1814	<i>Roystonia regia</i>	山仔	LCSD	1.5	211	3.0	1.5	211	Fair	Fair	Medium	Medium	Transplant	19-Dec-12	Kam To area 2	Central
T1815	<i>Roystonia regia</i>	山仔	LCSD	1.5	180	2.0	1.5	180	Fair	Fair	Medium	Medium	Transplant	19-Dec-12	Kam To area 2	Central

Tree No.	Tree Species	Chinese Name	Maintenance Dept.	Size			Crown Spread (m)	Time Form (Good, Fair, Poor, Dead/Remove)	Artery Value (High, Medium, Low)	Sample of Transmittance (High, Medium, Low)	Recommendation	Date of Transplant or Hoisting (month/year)	Temporary Hoisting Nursery	Final Transplanting Location
				Tree Height (m)	DBH (cm)	Trunk Diameter (cm)								
T1817	Ficus elastica	山欖(山欖樹)	LCSB	5.0	108	2.0	Fair	Fair	Medium	Low	Transplant	Kam Tin area 3b	CIB-Rumney	
T1823	Rapanea naga	王竹	LCSB	12.0	340	4.5	Fair	Poor	Medium	Medium	Transplant	Direct transplant	Central	
T1823	Rapanea naga	王竹	LCSB	9.0	347	4.5	Fair	Fair	Medium	Medium	Transplant	Kam Tin area 3	Central	
T1834	Ficus bungeana	山欖	LCSB	14.0	500	10.0	Poor	Fair	Low	Medium	Transplant	Direct transplant	Central	
T1835	Rapanea naga	王竹	LCSB	9.0	270	4.5	Fair	Fair	Medium	Medium	Transplant	Kam Tin area 3	Central	
T1837	Rapanea naga	王竹	LCSB	10.0	310	4.5	Fair	Poor	Medium	Medium	Transplant	Direct transplant	Central	
T1837	Rapanea naga	王竹	LCSB	12.0	315	7.0	Fair	Fair	Medium	Low	Transplant	6-Jun-16	CIB-Rumney	
T1840	Rapanea naga	王竹	LCSB	12.0	260	7.0	Fair	Poor	Medium	Low	Transplant	7-Jun-16	CIB-Rumney	
T1858	Ficus bungeana	山欖	LCSB	5.0	620	7.0	Fair	Fair	Medium	Medium	Transplant	28-Sep-12	CIB-Rumney	
T1869	Ficus bungeana	山欖	LCSB	4.0	315	3.0	Poor	Fair	Low	Medium	Transplant	28-Sep-12	CIB-Rumney	
T1870	Ficus bungeana	山欖	LCSB	7.0	230	3.0	Fair	Fair	Medium	Low	Transplant	16-May-15	CIB-Rumney	
T1870	Ficus bungeana	山欖	LCSB	10.0	307	6.0	Fair	Fair	Medium	Low	Transplant	17-Jun-15	CIB-Rumney	
T1877	Gynerium songhaii	刺莖	LCSB	7.0	230	7.0	Fair	Fair	Medium	Medium	Transplant	16-May-15	Central	
T1933	Heliconia pinnatifida	紅尾掌	LCSB	5.0	170	3.5	Fair	Fair	Medium	Medium	Transplant	16-Aug-11	Kam Tin area 1	
T2006	Heliconia pinnatifida	紅尾掌	LCSB	8.0	170	3.0	Fair	Fair	Medium	Medium	Transplant	16-Aug-11	Kam Tin area 1	
T2007	Heliconia pinnatifida	紅尾掌	LCSB	7.5	120	3.0	Fair	Fair	Medium	Medium	Transplant	17-Aug-11	Kam Tin area 1	
T2010	Heliconia pinnatifida	紅尾掌	LCSB	5.0	125	3.0	Fair	Fair	Medium	Medium	Transplant	17-Aug-11	Kam Tin area 1	
T2015	Heliconia pinnatifida	紅尾掌	LCSB	5.0	125	3.0	Fair	Fair	Medium	Medium	Transplant	16-Aug-11	Kam Tin area 1	
A1001	Dioscorea	薯蕷	LCSB	6.0	130	4.0	Poor	Fair	Medium	Medium	Transplant	21-Aug-12	CC - Nursery site	
A1004	Utricularia	浮水	LCSB	6.0	115	5.0	Poor	Fair	Medium	Medium	Transplant	31-Aug-12	CC - Nursery site	
A1006	Heliconia pinnatifida	紅尾掌	LCSB	5.0	95	2.5	Fair	Fair	Medium	Medium	Transplant	15-Aug-12	CC - Nursery site	
A1008	Heliconia pinnatifida	紅尾掌	LCSB	6.0	100	4.5	Fair	Fair	Medium	Medium	Transplant	25-Aug-12	CC - Nursery site	
A1009	Dioscorea	薯蕷	LCSB	5.5	110	6.0	Fair	Fair	Medium	Medium	Transplant	25-Aug-12	CC - Nursery site	
A1016	Ficus bungeana	山欖	LCSB	4.0	95	2.0	Fair	Fair	Medium	Medium	Transplant	20-Aug-12	CC - Nursery site	
A1017	Ficus bungeana	山欖	LCSB	3.0	100	2.0	Fair	Fair	Medium	Medium	Transplant	20-Aug-12	CC - Nursery site	
A1059	Agrostis chinensis	大花野古草	LCSB	5	110	3.0	Fair	Fair	Low	Low	Transplant	17-Aug-13	Kam Tin area 3b	
A1060	Utricularia chinensis	浮水	LCSB	1.5	100	2.0	Fair	Fair	Medium	Medium	Transplant	19-Aug-13	Kam Tin area 3b	



# **Appendix D**

## **Summary of compensatory for damaged tree and fell tree**

Back Street Road

Tree No.	Tree Species	Chinese Name	Mature Date	Size		Tree Form (Good, Fair, Poor)	Health (Good, Damaged, Removed)	Amenity Value (High, Medium, Low)	Survival of (High, Medium, Low)	Recommendation	Replacement	History
				Tree Height (m)	Crown Spread (m)							
T1251	<i>Royalsora rufa</i>	紅桂	LCSD	4.5	155	Poor	Poor	Low	Low	Retain	27-Sep-17	Tree was identified as a dangerous tree by 2017 TRA Form 2 and removed on 2 June 2016 and replaced by CLO Replacement on 27 Sep 17
T1255	<i>Royalsora rufa</i>	紅桂	LCSD	5.5	140	+	Removed	Medium	Medium	Retain	5-Jul-16	Replacement on 03 Jul 2016 removed on 15/09/2016. Upvallation, serious trunk damage, recommend removal ADGP.
T1257	<i>Royalsora rufa</i>	紅桂	LCSD	7.0	310	Poor	Removed	Medium	Low	Retain	9-Jul-16	Tree was identified as a dangerous tree on 2 June 2015 and removed on 7 June 2015. Letter Ref: 18008926
T1258	<i>Royalsora rufa</i>	紅桂	LCSD	6.0	220	Fair	Poor	Medium	Low	Retain	24-Nov-17	Reported in DLO by email on 27/06/2016 as improved despite. Reported to DLO for re-evaluation on 05 May 2015 under Letter Ref: 18008926
T1259	<i>Royalsora rufa</i>	紅桂	LCSD	7.0	270	Fair	Poor	Medium	Medium	Retain	24-Dec-16	Reported in DLO by email on 12/06/2016 as improved despite. Reported to DLO for re-evaluation on 02 May 2015 under Letter Ref: 18008926
T1260	<i>Royalsora rufa</i>	紅桂	LCSD	7.0	230	Fair	Removed	Medium	Medium	Retain	23-Oct-16	Tree was identified as a dangerous tree on 2 June 2015 and removed on 23 Dec 2015
T1270	<i>Royalsora rufa</i>	紅桂	LCSD	5.0	210	Fair	Removed	Medium	Medium	Retain	23-Nov-17	removed on 07/09/12 due to traffic accident on 4 July 2012. Replacement on 23 Dec 2015. Ret on 15 Nov 2017 as poor health. Replacement on 23 Nov 2017
T1288	<i>Royalsora rufa</i>	紅桂	LCSD	6.0	275	Fair	Fair	Medium	Medium	Retain	21-Jun-16	Removed on site on 27-6-2016
T1289	<i>Erythra variegata</i>	紅桂	LCSD	7.5	280	Fair	Damaged	Medium	Medium	Retain	27-Oct-16	removed on 22/07/13 due to traffic accident on April 2013. Replaced and replaced on site on 27 Oct 16
T1290	<i>Royalsora rufa</i>	紅桂	LCSD	8.0	300	Fair	Removed	Medium	Medium	Retain	7-Oct-16	removed on 18/07/12 due to traffic accident on April 2013. Replaced and replaced on site on 7 Oct 16
T1406	<i>Halesia strobilata</i>	紅桂	LCSD	6.0	190	Fair	Damaged	Medium	Low	Retain	7-Oct-16	removed on 18/07/12 due to traffic accident on April 2013. Replaced and replaced on site on 7 Oct 16
T1409	<i>Halesia strobilata</i>	紅桂	LCSD	6.0	140	Fair	Damaged	Medium	Low	Retain	7-Oct-16	removed on 18/07/12 due to traffic accident on April 2013. Replaced and replaced on site on 7 Oct 16
T1410	<i>Royalsora rufa</i>	紅桂	LCSD	5.0	160	Fair	Fair	Medium	Medium	Retain	2-Jul-16	removed on 18/07/12 due to traffic accident on April 2013. Replaced and replaced on site on 7 Oct 16
T1411	<i>Halesia strobilata</i>	紅桂	LCSD	8.0	140	Fair	Damaged	Medium	Low	Retain	7-Oct-16	removed on 18/07/12 due to traffic accident on April 2013. Replaced and replaced on site on 7 Oct 16
T1412	<i>Halesia strobilata</i>	紅桂	LCSD	8.0	335	Fair	Damaged	Medium	Low	Retain	7-Oct-16	removed on 18/07/12 due to traffic accident on April 2013. Replaced and replaced on site on 7 Oct 16
T1502	<i>Erythra variegata</i>	紅桂	LCSD	7.0	205	Fair	Damaged	Medium	Medium	Retain	25-Apr-17	Replacement by Chinese company. Replaced on 23 Apr 2017. Replaced with LCSD on 10 Nov 2016 and reported to DLO
T1503	<i>Erythra variegata</i>	紅桂	LCSD	8.0	150	Poor	Removed	Medium	Medium	Retain	25-Apr-17	Affected by typhoon signal no. 8 on 15 September 2014. The tree after Amber Rainwater. Replaced on 23 Apr 2017. Replaced with LCSD on 10 Nov 2016 and reported to DLO
T1504	<i>Erythra variegata</i>	紅桂	LCSD	7.0	250	Fair	Removed	Medium	Medium	Retain	25-Apr-17	Affected by typhoon signal no. 8 on 15 September 2014. removed on 04/2015 due to imminent danger under. Replaced on 23 Apr 2017. Replaced with LCSD on 10 Nov 2016 and reported to DLO

Box Tree Record

Tree No.	Tree Species	Chinese Name	Maintenance Dept.	Site			Health (Good, Fair, Poor, Dead/Remove)	Amenity Value (High, Medium, Low)	Survival of Tree (High, Medium, Low)	Recommendation	Replacement	History			
				Tree Height (m)	Crown Spread (m)	Tree Form (Good, Fair, Poor)									
													DBH (cm)	Canopy Height (m)	Canopy Spread (m)
T1507	<i>Erythrina variegata</i>	豇豆	LCSO	4.0	4.0	4.0	4.0	120	4.0	Fair	Damaged	Medium	Reason	25-Sep-17	removed on 18/07/12 due to Typoon Signal No. 10 attached on 22 July 2012. 豇豆被吹倒，由CSO在25/9/2017年9月25日与LCSO在10/11/2016和报告到DLO 豇豆被吹倒，由CSO在25/9/2017年9月25日与LCSO在10/11/2016和报告到DLO 豇豆被吹倒，由CSO在25/9/2017年9月25日与LCSO在10/11/2016和报告到DLO 豇豆被吹倒，由CSO在25/9/2017年9月25日与LCSO在10/11/2016和报告到DLO 豇豆被吹倒，由CSO在25/9/2017年9月25日与LCSO在10/11/2016和报告到DLO
T1508	<i>Erythrina variegata</i>	豇豆	LCSO	5.0	14.0	5.0	5.0	140	5.0	Fair	Fair	Medium	Reason	24-Nov-17	removed on 29/07/12 due to Typoon Signal No. 10 attached on 23 Aug 2012 Replacement on 27 Sep 17 with species <i>Casearia equisetifolia</i> 2.5% as agreed with LCSO on site on 13 Sep. Replacement on 24 Nov 2017
T1509	<i>Casearia equisetifolia</i>	洋槐(白紫)	LCSO	12.0	22.0	7.0	7.0	220	7.0	Fair	Fair	Medium	Reason	24-Nov-17	removed on 29/07/12 due to Typoon Signal No. 10 attached on 23 Aug 2012 Replacement on 27 Sep 17 with species <i>Casearia equisetifolia</i> 2.5% as agreed with LCSO on site on 13 Sep. Replacement on 24 Nov 2017
T1510	<i>Casearia equisetifolia</i>	洋槐(白紫)	LCSO	10.0	18.0	5.0	5.0	180	5.0	Fair	Damaged	Medium	Reason	25-Apr-17	removed on 18/07/12 due to Typoon Signal No. 10 attached on 22 July 2012. 洋槐被吹倒，由CSO在25/9/2017年9月25日与LCSO在10/11/2016和报告到DLO
T1511	<i>Royaltone poplar</i>	洋槐	LCSO	6.5	18.0	4.0	4.0	180	4.0	Poor	Dead	Low	Reason	24-Nov-17	removed on 23/07/14 due to verified dead tree on 05 Dec 2013 Replacement on 24 Dec 2016 Replacement on 15 Nov 2017 as per tree Replacement on 24 Nov 2017
T1512	<i>Casearia equisetifolia</i>	洋槐(白紫)	LCSO	12.0	17.0	5.0	5.0	170	5.0	Fair	Poor	Medium	Reason	26-Sep-17	removed on 29/07/12 due to Typoon Signal No. 10 attached on 23 Aug 2012 Replacement on 26 Sep 17 with species <i>Casearia equisetifolia</i> 2.5% as agreed with LCSO on site on 13 Sep. Replacement on 26 Sep 17
T1513	<i>Casearia equisetifolia</i>	洋槐(白紫)	LCSO	7.0	20.0	6.0	6.0	200	6.0	Fair	Fair	Medium	Reason	24-Dec-16	removed on 29/07/12 due to Typoon Signal No. 10 attached on 23 Aug 2012 Replacement on 26 Sep 17 with species <i>Casearia equisetifolia</i> 2.5% as agreed with LCSO on site on 13 Sep. Replacement on 26 Sep 17
T1514	<i>Casearia equisetifolia</i>	洋槐(白紫)	LCSO	7.0	13.0	5.0	5.0	130	5.0	Poor	Damaged	Medium	Reason	24-Dec-16	removed on 29/07/12 due to Typoon Signal No. 10 attached on 23 Aug 2012 Replacement on 26 Sep 17 with species <i>Casearia equisetifolia</i> 2.5% as agreed with LCSO on site on 13 Sep. Replacement on 26 Sep 17
T1515	<i>Casearia equisetifolia</i>	洋槐(白紫)	LCSO	8.0	19.0	6.0	6.0	190	6.0	Poor	Damaged	Medium	Reason	24-Dec-16	removed on 29/07/12 due to Typoon Signal No. 10 attached on 23 Aug 2012 Replacement on 26 Sep 17 with species <i>Casearia equisetifolia</i> 2.5% as agreed with LCSO on site on 13 Sep. Replacement on 26 Sep 17
T1516	<i>Barringtonia speciosa</i>	洋槐	LCSO	8.0	15.0	6.0	6.0	150	6.0	Fair	Fair	Medium	Reason	26-Sep-17	removed on 29/07/12 due to Typoon Signal No. 10 attached on 23 Aug 2012 Replacement on 26 Sep 17 with species <i>Casearia equisetifolia</i> 2.5% as agreed with LCSO on site on 13 Sep. Replacement on 26 Sep 17
T1517	<i>Barringtonia speciosa</i>	洋槐	LCSO	7.0	13.0	6.0	6.0	130	6.0	Fair	Fair	Medium	Reason	24-Dec-16	removed on 29/07/12 due to Typoon Signal No. 10 attached on 23 Aug 2012 Replacement on 26 Sep 17 with species <i>Casearia equisetifolia</i> 2.5% as agreed with LCSO on site on 13 Sep. Replacement on 26 Sep 17
T1518	<i>Barringtonia speciosa</i>	洋槐	LCSO	7.0	12.5	6.0	6.0	125	6.0	Fair	Poor	Medium	Reason	24-Dec-16	removed on 29/07/12 due to Typoon Signal No. 10 attached on 23 Aug 2012 Replacement on 26 Sep 17 with species <i>Casearia equisetifolia</i> 2.5% as agreed with LCSO on site on 13 Sep. Replacement on 26 Sep 17
T1519	<i>Barringtonia speciosa</i>	洋槐	LCSO	7.0	13.0	6.0	6.0	130	6.0	Fair	Fair	Medium	Reason	24-Dec-16	removed on 29/07/12 due to Typoon Signal No. 10 attached on 23 Aug 2012 Replacement on 26 Sep 17 with species <i>Casearia equisetifolia</i> 2.5% as agreed with LCSO on site on 13 Sep. Replacement on 26 Sep 17
T1520	<i>Barringtonia speciosa</i>	洋槐	LCSO	8.0	16.0	6.0	6.0	160	6.0	Fair	Poor	Medium	Reason	24-Dec-16	removed on 29/07/12 due to Typoon Signal No. 10 attached on 23 Aug 2012 Replacement on 26 Sep 17 with species <i>Casearia equisetifolia</i> 2.5% as agreed with LCSO on site on 13 Sep. Replacement on 26 Sep 17
T1521	<i>Barringtonia speciosa</i>	洋槐	LCSO	9.0	19.0	7.0	7.0	190	7.0	Poor	Dead	Medium	Reason	24-Dec-16	removed on 29/07/12 due to Typoon Signal No. 10 attached on 23 Aug 2012 Replacement on 26 Sep 17 with species <i>Casearia equisetifolia</i> 2.5% as agreed with LCSO on site on 13 Sep. Replacement on 26 Sep 17
T1522	<i>Barringtonia speciosa</i>	洋槐	LCSO	8.0	17.0	6.0	6.0	170	6.0	Poor	Retained	Low	Reason	24-Dec-16	removed on 29/07/12 due to Typoon Signal No. 10 attached on 23 Aug 2012 Replacement on 26 Sep 17 with species <i>Casearia equisetifolia</i> 2.5% as agreed with LCSO on site on 13 Sep. Replacement on 26 Sep 17
T1523	<i>Barringtonia speciosa</i>	洋槐	LCSO	9.0	16.0	6.0	6.0	160	6.0	Fair	Retained	Medium	Reason	24-Dec-16	removed on 29/07/12 due to Typoon Signal No. 10 attached on 23 Aug 2012 Replacement on 26 Sep 17 with species <i>Casearia equisetifolia</i> 2.5% as agreed with LCSO on site on 13 Sep. Replacement on 26 Sep 17
T1524	<i>Barringtonia speciosa</i>	洋槐	LCSO	9.0	14.0	7.0	7.0	140	7.0	Fair	Fair	Medium	Reason	24-Dec-16	removed on 29/07/12 due to Typoon Signal No. 10 attached on 23 Aug 2012 Replacement on 26 Sep 17 with species <i>Casearia equisetifolia</i> 2.5% as agreed with LCSO on site on 13 Sep. Replacement on 26 Sep 17
T1525	<i>Barringtonia speciosa</i>	洋槐	LCSO	8.0	13.0	6.0	6.0	130	6.0	Poor	Fair	Low	Reason	24-Dec-16	removed on 29/07/12 due to Typoon Signal No. 10 attached on 23 Aug 2012 Replacement on 26 Sep 17 with species <i>Casearia equisetifolia</i> 2.5% as agreed with LCSO on site on 13 Sep. Replacement on 26 Sep 17
T1526	<i>Barringtonia speciosa</i>	洋槐	LCSO	8.0	13.0	6.0	6.0	130	6.0	Poor	Fair	Low	Reason	24-Dec-16	removed on 29/07/12 due to Typoon Signal No. 10 attached on 23 Aug 2012 Replacement on 26 Sep 17 with species <i>Casearia equisetifolia</i> 2.5% as agreed with LCSO on site on 13 Sep. Replacement on 26 Sep 17
T1527	<i>Barringtonia speciosa</i>	洋槐	LCSO	8.0	13.0	6.0	6.0	130	6.0	Poor	Fair	Low	Reason	24-Dec-16	removed on 29/07/12 due to Typoon Signal No. 10 attached on 23 Aug 2012 Replacement on 26 Sep 17 with species <i>Casearia equisetifolia</i> 2.5% as agreed with LCSO on site on 13 Sep. Replacement on 26 Sep 17
T1528	<i>Barringtonia speciosa</i>	洋槐	LCSO	8.0	13.0	6.0	6.0	130	6.0	Poor	Fair	Low	Reason	24-Dec-16	removed on 29/07/12 due to Typoon Signal No. 10 attached on 23 Aug 2012 Replacement on 26 Sep 17 with species <i>Casearia equisetifolia</i> 2.5% as agreed with LCSO on site on 13 Sep. Replacement on 26 Sep 17
T1529	<i>Barringtonia speciosa</i>	洋槐	LCSO	8.0	13.0	6.0	6.0	130	6.0	Poor	Fair	Low	Reason	24-Dec-16	removed on 29/07/12 due to Typoon Signal No. 10 attached on 23 Aug 2012 Replacement on 26 Sep 17 with species <i>Casearia equisetifolia</i> 2.5% as agreed with LCSO on site on 13 Sep. Replacement on 26 Sep 17
T1530	<i>Barringtonia speciosa</i>	洋槐	LCSO	8.0	13.0	6.0	6.0	130	6.0	Poor	Fair	Low	Reason	24-Dec-16	removed on 29/07/12 due to Typoon Signal No. 10 attached on 23 Aug 2012 Replacement on 26 Sep 17 with species <i>Casearia equisetifolia</i> 2.5% as agreed with LCSO on site on 13 Sep. Replacement on 26 Sep 17
T1531	<i>Barringtonia speciosa</i>	洋槐	LCSO	8.0	13.0	6.0	6.0	130	6.0	Poor	Fair	Low	Reason	24-Dec-16	removed on 29/07/12 due to Typoon Signal No. 10 attached on 23 Aug 2012 Replacement on 26 Sep 17 with species <i>Casearia equisetifolia</i> 2.5% as agreed with LCSO on site on 13 Sep. Replacement on 26 Sep 17
T1532	<i>Barringtonia speciosa</i>	洋槐	LCSO	8.0	13.0	6.0	6.0	130	6.0	Poor	Fair	Low	Reason	24-Dec-16	removed on 29/07/12 due to Typoon Signal No. 10 attached on 23 Aug 2012 Replacement on 26 Sep 17 with species <i>Casearia equisetifolia</i> 2.5% as agreed with LCSO on site on 13 Sep. Replacement on 26 Sep 17
T1533	<i>Barringtonia speciosa</i>	洋槐	LCSO	8.0	13.0	6.0	6.0	130	6.0	Poor	Fair	Low	Reason	24-Dec-16	removed on 29/07/12 due to Typoon Signal No. 10 attached on 23 Aug 2012 Replacement on 26 Sep 17 with species <i>Casearia equisetifolia</i> 2.5% as agreed with LCSO on site on 13 Sep. Replacement on 26 Sep 17
T1534	<i>Barringtonia speciosa</i>	洋槐	LCSO	8.0	13.0	6.0	6.0	130	6.0	Poor	Fair	Low	Reason	24-Dec-16	removed on 29/07/12 due to Typoon Signal No. 10 attached on 23 Aug 2012 Replacement on 26 Sep 17 with species <i>Casearia equisetifolia</i> 2.5% as agreed with LCSO on site on 13 Sep. Replacement on 26 Sep 17
T1535	<i>Barringtonia speciosa</i>	洋槐	LCSO	8.0	13.0	6.0	6.0	130	6.0	Poor	Fair	Low	Reason	24-Dec-16	removed on 29/07/12 due to Typoon Signal No. 10 attached on 23 Aug 2012 Replacement on 26 Sep 17 with species <i>Casearia equisetifolia</i> 2.5% as agreed with LCSO on site on 13 Sep. Replacement on 26 Sep 17
T1536	<i>Barringtonia speciosa</i>	洋槐	LCSO	8.0	13.0	6.0	6.0	130	6.0	Poor	Fair	Low	Reason	24-Dec-16	removed on 29/07/12 due to Typoon Signal No. 10 attached on 23 Aug 2012 Replacement on 26 Sep 17 with species <i>Casearia equisetifolia</i> 2.5% as agreed with LCSO on site on 13 Sep. Replacement on 26 Sep 17

B&L Tree Record

Tree No.	Tree Species	Chinese Name	Mature Date	Site		Tree Form (Good, Fair, Poor)	Health (Green, Yellow, Orange, Red)	Anxiety Value (High, Medium, Low)	Survival of (High, Medium, Low)	Recommendation	Replacement	History
				Tree Height (m)	Crown Spread (m)							
11574	<i>Royceana naga</i>	十仔	LCSD	5.0	4.0	Poor	Poor	Medium	Medium	Retain	21-Dec-16	Large trunk cavity. Reported to DLO on 18 May 2016. Replacement on 27 Dec 2016.
11627	<i>Chouavea equisetifolia</i>	牛車水(仔)木	LCSD	17.0	13.5	Poor	Fair	Medium	Low	Retain	27-Dec-16	Strong tree damage. Reported to DLO on 18 May 2016. Replacement on 27 Dec 2016. For LCSD reported on site on 10 NOV 2016.
11664	<i>Barringtonia</i>	紅木	LCSD	11.0	8.0	Priv	Dead	Medium	Medium	Retain	24-Jun-16	Reported to DLO on 18 May 2016. Replacement on 27 Dec 2016. Felled as imminent danger under the B&L Act. 18/05/2016. Replaced with a new tree on 24 Jun 2016.
11695	<i>Sarcocaulis unguis</i>	野山薑	LCSD	5.0	5.0	Poor	Dead	Medium	Medium	Retain	27-Dec-16	Reported to DLO on 18 May 2016. Replacement on 27 Dec 2016. Felled as collapsed under the B&L Act. 18/05/2016. Replaced with a new tree on 27 Dec 2016.
11696	<i>Barringtonia</i>	紅木	LCSD	11.0	7.0	Fair	Dead	Medium	Medium	Retain	25-Dec-16	Reported to DLO on 18 May 2016. Replacement on 25 Dec 2016.
11697	<i>Barringtonia</i>	紅木	LCSD	8.0	8.0	Poor	Dead	Medium	Medium	Retain	25-Dec-16	Reported to DLO on 18 May 2016. Replacement on 25 Dec 2016.
11698	<i>Barringtonia</i>	紅木	LCSD	9.0	11.0	Poor	Poor	Low	Medium	Retain	26-Sep-17	Tree was severely damaged by typhoon on 23 Nov 2017. Reported to DLO on 18 May 2017. Replacement on 26 Sep 17.
11699	<i>Barringtonia</i>	紅木	LCSD	8.0	12.0	Poor	Fair	Low	Medium	Retain	26-Sep-17	Imminent danger tree. Reported to DLO on 18 May 2017. Replacement on 26 Sep 17.
11628	<i>Royceana naga</i>	十仔	LCSD	9.0	4.5	Fair	Fair	Medium	Medium	Retain	23-Nov-17	damaged leading to poor for 11/2017. Tree falling on 14-Sep-16. Reported to DLO on 25 Dec 2016. Replacement on 23 Nov 2017.
11628	<i>Royceana naga</i>	十仔	LCSD	8.0	2.80	Fair	Fair	Medium	Medium	Retain	23-Nov-17	damaged leading to poor for 11/2017. Tree falling on 14-Sep-16. Reported to DLO on 25 Dec 2016. Replacement on 23 Nov 2017.
11649	<i>Royceana naga</i>	十仔	LCSD	7.0	2.30	Poor	Poor	Low	Low	Retain	27-Sep-17	Large trunk cavity. Reported to DLO for tree falling under B&L Act. 18/05/2016. Replacement on 25 Dec 2016. Replacement on 27 Sep 17.
11659	<i>Barringtonia</i>	紅木	LCSD	10.5	2.0	Fair	Fair	Medium	Medium	Retain	26-Sep-17	Imminent danger tree removed on 4 Aug 17, replaced to DLO on 18 May 2017. Replacement on 26 Sep 17.
11654	<i>Royceana naga</i>	十仔	LCSD	7.5	2.10	Poor	Poor	Medium	Low	Retain	23-Nov-17	Large trunk cavity. Reported to DLO for tree falling under B&L Act. 18/05/2016. Replacement on 23 Nov 2017.
11655	<i>Barringtonia</i>	紅木	LCSD	12.0	2.0	Fair	Dead	Medium	Medium	Retain	27-Dec-16	Dead Tree. Reported to DLO on 18 May 2016. Replacement on 27 Dec 2016.
11660	<i>Royceana naga</i>	十仔	LCSD	9.0	4.5	Fair	Removed	Medium	Medium	Retain	27-Sep-17	removed on 25/07/17 due to typhoon. Spinal No. 18 attached on 23 Aug 2017. Replacement on 27 Sep 17.
11672	<i>Royceana naga</i>	十仔	LCSD	9.5	2.90	Poor	Retained	Medium	Low	Retain	30-Mar-17	Tree was severely damaged by typhoon on 5 June 2015. Reported to DLO for tree falling under B&L Act. 18/05/2016. Replacement on 30 Mar 2017.
11675	<i>Royceana naga</i>	十仔	LCSD	6.0	4.0	Fair	Fair	Medium	Medium	Retain	27-Sep-17	removed on 28/07/17 due to typhoon. Spinal No. 18 attached on 27 Aug 2017. Replacement on 27 Sep 17.
11691	<i>Barringtonia</i>	紅木	LCSD	12.0	2.0	Poor	Poor	Medium	Medium	Retain	26-Sep-17	Tree was severely damaged by typhoon on 5 June 2015. Reported to DLO for tree falling under B&L Act. 18/05/2016. Replacement on 26 Sep 17.
11695	<i>Barringtonia</i>	紅木	LCSD	9.0	2.90	-	Dead	Medium	Medium	Retain	29-Jul-16	Reported to DLO on 17 Oct 2014. Replacement on 29 Jul 2016. Felled as imminent danger under the B&L Act. 18/05/2016. Replacement on 29 Dec 2016.

Site: Trees Excel

Tree No.	Tree Species	Chinese Name	Maintenance Dept.	Site		Crown Spread (m)	Tree Form (Good, Fair, Poor)	Health (Good, Fair, Poor, Dead/Remove)	Assess Value (High, Medium, Low)	Severity Value (High, Medium, Low)	Degree of Transpiration (High, Medium, Low)	Recommendation	Replacement	History
				Tree Height (m)	DBH (mm)									
T1702	Banksia verticillata	銀葉桉	LCSO	11.0	170	7.0	Fair	Removed	Medium	Low	Medium	27-Dec-16	This tree was severely damaged by typhoon signal No. 10 on 15 Sep 2014 and removed on 7 June 2015. Replaced with 180095001 & replaced on 27 Dec 2016	
T1705	Banksia verticillata	銀葉桉	LCSO	11.0	120	6.0	Poor	Poor	Low	Medium	Return	27-Sep-17	This tree was severely damaged by typhoon signal No. 10 on 15 Sep 2014 and removed on 2 June 2015 and replaced with 180095001 & replaced on 27 Sep 17	
T1706	Banksia verticillata	銀葉桉	LCSO	11.0	150	7.0	Poor	Poor	Low	Medium	Return	27-Sep-17	This tree was severely damaged by typhoon signal No. 10 on 15 Sep 2014 and removed on 2 June 2015 and replaced with 180095001 & replaced on 27 Sep 17	
T1709	Banksia verticillata	銀葉桉	LCSO	11.0	140	10.0	Poor	Fair	Low	Medium	Return	26-Sep-17	removed on 25/07/17 due to typhoon signal No. 10 attached on 27 Aug 2017	
T1721	Koyna sargentiana	紅肉桂	LCSO	12.0	400	10.0	Fair	Fair	Medium	Low	Return	30-Feb-17	Tree fallen on 15-Aug-16 Replaced with 180095001	
T1740	Banksia verticillata	銀葉桉	LCSO	7.0	190	6.0	Fair	Removed	Medium	Medium	Return	26-Sep-17	Reported to DLO on 22 Jul 2013 Tree fallen on 15 June 2015 Replaced with 180095001 removed on 25/07/17 due to typhoon signal No. 10 attached on 27 Aug 2017	
T1744	Banksia verticillata	銀葉桉	LCSO	6.0	140	6.0	Fair	Dead	Medium	Medium	Return	7-Oct-16	Reported to DLO on 29 Oct 2013 Tree fallen on 15 Aug 2015 Replaced and replanted on site on 7 Oct 16	
T1752	Banksia verticillata	銀葉桉	LCSO	7.0	140	7.0	Dead	Dead	Low	Low	Return	7-Oct-16	Affected by typhoon signal No. 10 on 15 September 2014 Reported to DLO on 15 Apr 2015 Dead tree under later Red. 180095002 Reported to DLO on 18 May 2016 by email for tree removal Replaced and replanted on site on 7 Oct 16	
T1752	Banksia verticillata	銀葉桉	LCSO	7.0	150	5.0	Poor	Dead	Low	Medium	Return	6-Oct-16	Reported to DLO on 15 Apr 2015 Dead tree under later Red. 180095002 Replaced and replanted on site on 6 Oct 16	
T1754	Banksia verticillata	銀葉桉	LCSO	7.0	120	7.0	Dead	Dead	Medium	Medium	Return	6-Oct-16	Reported to DLO on 18 May 2016 by email for tree removal Replaced and replanted on site on 6 Oct 16	
T1755	Banksia verticillata	銀葉桉	LCSO	7.0	140	7.0	Poor	Poor	Low	Medium	Return	26-Sep-17	removed on 25/07/17 due to typhoon signal No. 10 attached on 27 Aug 2017	
T1756	Banksia verticillata	銀葉桉	LCSO	6.0	100	6.0	Poor	Damaged	Low	Medium	Return	6-Oct-16	removed on 18/07/17 due to typhoon signal No. 10 attached on 22 Aug 2017	
T1757	Banksia verticillata	銀葉桉	LCSO	5.0	100	6.0	Poor	Removed	Low	Low	Return	7-Oct-16	This tree was severely damaged by typhoon signal No. 10 on 15 Sep 2014 and removed on 7 June 2015. Replaced with 180095001 & replaced on 27 Dec 2016	
T1759	Banksia verticillata	銀葉桉	LCSO	6.0	200	6.0	Fair	Damaged	Medium	Medium	Return	24-Dec-16	removed on 18/07/17 due to typhoon signal No. 10 attached on 22 Aug 2017	
T1761	Banksia verticillata	銀葉桉	LCSO	6.0	200	6.0	Fair	Unamaged	Medium	Medium	Return	15-Oct-16	Reported to DLO on 28 Aug 2013 Replaced on 24 Dec 2013 Replaced and replanted on site on 15 Oct 16	
T1812	Koyna sargentiana	紅肉桂	LCSO	12.0	240	10.0	Fair	Dead	Medium	Low	Return	24-Dec-16	Tree fallen on 15-Aug-16 Replaced with 180095001 Replaced on 24 Dec 2016 per LCSO request on site on 18 Dec 2016	
T1827	Koyna sargentiana	紅肉桂	LCSO	11.0	330	4.5	Fair	Fair	Medium	Medium	Return	18-Sep-17	Tree damaged on 25/07/17 due to typhoon signal No. 10 attached on 27 Aug 2017	
T1856	Koyna sargentiana	紅肉桂	LCSO	7.0	220	6.0	Dead	Dead	Medium	Low	Return	25-Apr-17	Frangible application on 12 Jun 16 & 19 Feb 2016 - 449 Replaced on 25-Apr-2017	

Risk Trees Record

Tree No.	Tree Species	Chinese Name	Maintenance Dept.	Site		Tree Form (Good, Fair, Poor)	Health (Good, Fair, Poor)	Severity Value (High, Medium, Low)	Level of Threat (High, Medium, Low)	Recommendation	Replacement	History
				Tree Height (m)	Crown Spread (m)							
T1866	<i>Nyssa sinuata</i>	大葉木	LCD	7.0	8.0	Dead	Dead/Removed	Medium	Low	Retain	25-Apr-17	Dead tree was mostly on 01 Dec 2014 (Ref. 10000000). This was clearly removed dangerous tree on 5 June 2015 and removed on 7 June 2015. Replacement on 24-Apr-15.
T4001	<i>Ficus bingchuan</i>	黃連木	MTR&LCD		<0.5		Retained			Retain	12-Aug-15	Affected by typhoon signal no.8 on 15 September 2014. Compensated on 12 Aug 15 with heavy standard tree.
T4002	<i>Ficus bingchuan</i>	黃連木	MTR&LCD		<0.5		Retained			Retain	12-Aug-15	Affected by typhoon signal no.8 on 15 September 2014. Compensated on 12 Aug 15 with heavy standard tree.
A7015	<i>Azadirachta indica</i>	苦楝	LCD	7.0	4.0	Fair	Fair	Medium	Medium	Retain	27-Sep-17	removed on 25/01/17 due to typhoon signal no. 8 on 20 Aug 2017. Replacement on 27 Sep 17 with heavy standard tree.
A7014	<i>Diospyros delavayi</i>	山欖	LCD	7.0	5.0	Poor	Dead	Low	Medium	Retain	24-Dec-16	Replacement on 24 Dec 2016
A7049	<i>Nyssa sinuata</i>	大葉木	LCD	10	5.0	Fair	Retained	Medium	Medium	Retain	25-Dec-16	Affected by typhoon signal no.8 on 15 September 2014. Replacement on 25 Dec 2016
A7050	<i>Nyssa sinuata</i>	大葉木	LCD	9	4.5	Fair	Retained	Medium	Medium	Retain	25-Dec-16	Affected by typhoon signal no.8 on 15 September 2014. Replacement on 25 Dec 2016
A7057	<i>Lagerflomia speciosa</i>	人字木	LCD	5.0	1.0	Poor	Poor	Low	Low	Retain	25-Dec-16	compensated on 20 Dec 2016

Tree No.	Tree Species	Chinese Name	Maintenance Dept.	Site		Tree Form (Good, Fair, Poor)	Health Cond. (High, Medium, Low)	Anchorage Value (High, Medium, Low)	Survival Probability (High, Medium, Low)	Recommendation	Final Transplanting Location	Handover to GC (W7201186)	Handover to CSR (W72082119)	Replant
				Tree Height (m)	Crown Spread (m)									
T122b	<i>Royalsone rugosa</i>	平栎	LCSD	5.0	165	4.0	Fair	Fair	Medium	Transplant	-	-	20-Nov-17	
T1240	<i>Royalsone rugosa</i>	平栎	LCSD	9.0	230	4.5	Fair	Fair	Medium	Transplant	-	-	24-Oct-16	
T1244	<i>Royalsone rugosa</i>	平栎	LCSD	10.0	270	4.5	Fair	Fair	Medium	Transplant	-	-	6-Jul-16	
T1275	<i>Royalsone rugosa</i>	平栎	LCSD	5.0	145	3.5	Poor	Removed	Low	Transplant	-	-	Replaced by a heavy standard tree on holding nursery in Nov 2015	
T1276	<i>Royalsone rugosa</i>	平栎	LCSD	7.0	150	4.0	Poor	Removed	Medium	Transplant	-	-	Replaced by a heavy standard tree on holding nursery in Nov 2015	
T1282	<i>Habitica laevis</i>	栲木	LCSD	8.0	170	8.0	Fair	Fair	Medium	Transplant	-	25-Jul-17	Replaced by a heavy standard tree on holding nursery in Nov 2015	
T1287	<i>Royalsone rugosa</i>	平栎	LCSD	7.0	200	4.0	Fair	Fair	Medium	Transplant	-	-	27-Oct-2016	
T1299	<i>Royalsone rugosa</i>	平栎	LCSD	8.0	300	5.0	Fair	Fair	Low	Transplant	-	-	9-Jul-16	
T1338	<i>Eyfordia winged</i>	野栎	LCSD	8.0	205	6.0	Fair	Fair	Medium	Transplant	-	25-Jul-17	12-May-17	
T1339	<i>Eyfordia winged</i>	野栎	LCSD	8.0	205	6.0	Fair	Fair	Medium	Transplant	-	25-Jul-17	28-Jul-16	
T1340	<i>Eyfordia winged</i>	野栎	LCSD	8.0	150	6.0	Fair	Fair	Medium	Transplant	-	25-Jul-17	29-Jul-16	
T1341	<i>Eyfordia winged</i>	野栎	LCSD	9.0	160	6.0	Fair	Fair	Medium	Transplant	-	25-Jul-17	Replaced by a heavy standard tree on holding nursery in Nov 2015	
T1342	<i>Eyfordia winged</i>	野栎	LCSD	6.0	120	5.0	Fair	Fair	Medium	Transplant	-	25-Jul-17	29-Jul-16	
T1345	<i>Eyfordia winged</i>	野栎	LCSD	9.0	215	6.0	Fair	Fair	Medium	Transplant	-	25-Jul-17	August 2016	
T1349	<i>Royalsone rugosa</i>	平栎	LCSD	7.0	210	4.0	Fair	Fair	Medium	Transplant	-	-	Replaced by a heavy standard tree on holding nursery in Nov 2015	
T1351	<i>Royalsone rugosa</i>	平栎	LCSD	7.0	250	4.0	Fair	Fair	Medium	Transplant	-	-	15-Sep-17	
T1356	<i>Royalsone rugosa</i>	平栎	LCSD	7.0	265	4.0	Fair	Fair	Medium	Transplant	-	-	20-Nov-17	
T1358	<i>Royalsone rugosa</i>	平栎	LCSD	8.5	275	4.0	Fair	Fair	Medium	Transplant	-	-	23-Oct-16	
T1391	<i>Royalsone rugosa</i>	平栎	LCSD	9.5	235	4.0	Poor	Removed	Medium	Transplant	-	-	Replacement and replant location on 30 Aug 2015	
T1399	<i>Royalsone rugosa</i>	平栎	LCSD	5.0	205	3.0	Fair	Fair	Medium	Transplant	-	-	15-Sep-17	
T1420	<i>Hibiscus blockii</i>	木槿	LCSD	7.0	170	6.0	Fair	Fair	Medium	Transplant	-	25-Jul-17	Replaced by a heavy standard tree on holding nursery in Nov 2015	
T1458	<i>Ficus religiosa</i>	菩提树(佛手)	LCSD	7.0	320	7.0	Poor	Fair	Medium	Transplant	-	25-Jul-17	28-Jul-16	
T1460	<i>Ficus religiosa</i>	菩提树(佛手)	LCSD	6.5	420	6.0	Fair	Fair	Medium	Transplant	-	25-Jul-17	30-Jan-16	
T1462	<i>Ficus religiosa</i>	菩提树(佛手)	LCSD	6.0	370	6.0	Fair	Fair	Medium	Transplant	-	25-Jul-17	30-Jan-16	
T1469	<i>Ficus microcarpa</i>	黄葛树(黄葛树)	LCSD	6.5	260	5.0	Fair	Removed	Medium	Transplant	-	-	6-Oct-16	
T1482	<i>Ficus microcarpa</i>	黄葛树(黄葛树)	LCSD	7.0	290	4.5	Fair	Removed	Medium	Transplant	-	-	7-Oct-16	
T1495	<i>Ficus microcarpa</i>	黄葛树(黄葛树)	LCSD	7.5	220	5.0	Fair	Fair	Medium	Transplant	-	25-Jul-17	Replaced	
T1501	<i>Eyfordia winged</i>	野栎	LCSD	6.0	190	7.0	Fair	Demaged	Medium	Transplant	-	25-Jul-17	Replaced	
T1711	<i>Koaya sargentiana</i>	小洋槐	LCSD	12.0	390	10.0	Poor	Dest Tree	Low	Transplant	-	25-Jul-17	August-16	
T1710	<i>Royalsone rugosa</i>	平栎	LCSD	9.0	220	4.0	Fair	Fair	Medium	Transplant	-	-	5-Jul-16	

Tree No.	Tree Species	Chinese Name	Maintenance Dept.	Site		Crown Spread (m)	Tree Form (Good, Fair, Poor)	Health (Good, Fair, Poor)	Anxiety Value (High, Medium, Low)	Survival of Tree (High, Medium, Low)	Recommended on	Final Transplanting Location	Handover to CC (M201/188)	Handover to C19 (M208/819)	Replacement
				Tree Height (m)	DBH (mm)										
T1773	<i>Roydonia rigida</i>	4% 4%	LCSO	12.0	312	4.5	Poor	Poor	Medium	Medium	Transplant	Central	-	-	27-Sep-17
T1725	<i>Alseodaphnophyllum</i>	100% 100%	LCSO	14.0	423	12.0	Fair	Dead Tree	Medium	Low	Transplant	CTS-Bursary	-	25-Jul-17	Replaced on Aug 2016
T1756	<i>Bauhinia batesonii</i>	200% 200%	LCSO	7.0	220	2.0	Fair	Damaged	Medium	Medium	Transplant	Central	-	-	188/12
T1760	<i>Bauhinia batesonii</i>	100% 100%	LCSO	8.0	150	5.0	Poor	Damaged	Low	Medium	Transplant	Central	-	-	13-Oct-18
T1763	<i>Bauhinia batesonii</i>	100% 100%	LCSO	6.0	160	7.0	Poor	Damaged	Low	Medium	Transplant	Central	-	-	6-Oct-16
T1764	<i>Bauhinia batesonii</i>	200% 200%	LCSO	6.0	160	6.0	Poor	Damaged	Low	Medium	Transplant	Central	-	-	6-Oct-16
T1807	<i>Macaranga hololepis</i>	50% 50%	LCSO	7.0	160	6.0	Fair	Fair	Medium	Low	Transplant	Central (Original Location)	-	-	24-Oct-16
T1809	<i>Roydonia rigida</i>	35% 35%	LCSO	13.0	340	4.5	Fair	Dead	Medium	Medium	Direct transplant	Central	-	-	30-Mar-17
T1812	<i>Roydonia rigida</i>	35% 35%	LCSO	11.0	320	4.5	Fair	Dead	Medium	Medium	Direct transplant	Central	-	-	30-Mar-17
T1819	<i>Roydonia rigida</i>	35% 35%	LCSO	12.0	270	4.5	Fair	Dead	Medium	Medium	Direct transplant	Central	-	-	27-Sep-17
T1820	<i>Roydonia rigida</i>	35% 35%	LCSO	12.0	240	4.5	Fair	Poor	Medium	Medium	Direct transplant	Central	-	-	29-Jun-17
T1824	<i>Roydonia rigida</i>	100% 100%	LCSO	12.0	320	4.5	Fair	Dead	Medium	Medium	Direct transplant	Central	-	-	27-Sep-17
T1826	<i>Roydonia rigida</i>	100% 100%	LCSO	11.0	270	4.5	Fair	Fair	Medium	Medium	Direct transplant	Central	-	-	27-Jun-16
T1826	<i>Roydonia rigida</i>	35% 35%	LCSO	10.0	312	4.5	Fair	Fair	Medium	Medium	Direct transplant	Central	-	-	27-Sep-17
T1830	<i>Roydonia rigida</i>	100% 100%	LCSO	10.0	300	4.5	Fair	Fair	Medium	Medium	Direct transplant	Central	-	-	19-Sep-17
T1832	<i>Roydonia rigida</i>	35% 35%	LCSO	11.0	320	4.5	Fair	Fair	Medium	Medium	Direct transplant	Central	-	-	29-Jun-16
T1838	<i>Roydonia rigida</i>	100% 100%	LCSO	9.0	310	4.5	Fair	Fair	Medium	Medium	Transplant	Central	-	-	24-Nov-17
T1845	<i>Roydonia rigida</i>	35% 35%	LCSO	9.0	330	4.5	Fair	Dead	Medium	Medium	Direct transplant	Central	-	-	Replaced on Jul 2016
T1854	<i>Dalbergia bicknellii</i>	100% 100%	LCSO	4.0	70	2.0	Fair	poor	Medium	Medium	Transplant	Central	15-Jul-17	-	Replaced
T1855	<i>Dalbergia bicknellii</i>	100% 100%	LCSO	4.0	70	3.0	Fair	poor	Medium	Medium	Transplant	CTS-Bursary	-	25-Jul-17	Replaced



Tree No.	Tree Species	Chinese Name	Malesia Code	Site			Crown Spread (m)	DBH (cm)	Tree Height (m)	Time Form (Good, Fair, Poor)	Health (Good, Fair, Damaged, Dead)	Anxiety Value (High, Medium, Low)	Survival of Transplant (High, Medium, Low)	Recommendation	Transplanting Location	Handover to CC (M2021/08)	Handover to CSR (M2026/19)	Replant
				Tree Height (m)	DBH (cm)	Crown Spread (m)												
T186	<i>Ficus virens</i>	山欖樹(大葉)	LCSD	7.0	370	7.0	Fair	Fair	Fair	Fair	Medium	Low	Transplant	C18-Burnsey	-	25-Jan-17	Replaced	
T206	<i>Albizia leucadenia</i>	白仔樹	LCSD	8.0	125	3.0	Fair	Fair	Fair	Fair	Medium	Medium	Transplant	Central	-	-	20-Jan-16	
T211	<i>Albizia leucadenia</i>	白仔樹	LCSD	6.0	120	3.0	Poor	Poor	Poor	Removed	Medium	Medium	Transplant	Central	-	-	5-Jul-16	
A701	<i>Hibiscus mutabilis</i>	芙蓉	LCSD	7.0	115	6.0	Fair	Fair	Fair	Damaged	Medium	Medium	Transplant	Central	13-Jul-17	-	Replaced	
A702	<i>Cordia alliodora</i>	風車	LCSD	7.5	140	5.0	Fair	Fair	Fair	Fair	Medium	Medium	Transplant	Central	-	-	Replaced by heavy standard tree on holding nursery in Nov 2015	
A705	<i>Diospyros</i>	黑木	LCSD	6.0	120	5.0	Poor	Poor	Poor	Fair	Medium	Medium	Transplant	Central	13-Jul-17	-	Replaced by heavy standard tree on holding nursery in Nov 2015	
A707	<i>Albizia echinaria</i>	白仔樹	LCSD	4.0	110	2.0	Fair	Fair	Fair	Fair	Medium	Medium	Transplant	Central	13-Jul-17	-	Replaced by heavy standard tree on holding nursery in Nov 2015	
A702	<i>Barringtonia</i>	洋紫荊	LCSD	6.0	100	5.0	Fair	Fair	Fair	Dead	Medium	Medium	Transplant	Central	13-Jul-17	-	Replaced by heavy standard tree on holding nursery in Nov 2015	
A702	<i>Artocarpus heterophylla</i>	阿波木	LCSD	7.0	95	2.0	Fair	Fair	Fair	Dead	Medium	Medium	Transplant	Central (Original Location)	-	-	24-Dec-16	
A707	<i>Nyssa sapanensis</i>	蘇木	LCSD	11	300	4.0	Fair	Fair	Fair	Dead	Medium	Medium	Transplant	C18-Burnsey	-	25-Jul-17	Replaced on Nov 2015	
A708	<i>Nyssa sapanensis</i>	蘇木	LCSD	8	200	4.0	Fair	Fair	Fair	Dead	Medium	Medium	Transplant	C18-Burnsey	-	25-Jul-17	Replaced on Nov 2015 by heavy standard tree on holding nursery in Nov 2015	
A702	<i>Melaleuca</i>	白桉	LCSD	6	100	2.0	Poor	Poor	Poor	Removed	Low	Low	Transplant	Block B (Original Location)	-	-	Replaced on Nov 2015 by heavy standard tree on holding nursery in Nov 2015	
A703	<i>Albizia</i>	白仔	LCSD	5	100	2.0	Poor	Poor	Poor	Removed	Low	Low	Transplant	Block B (Original Location)	-	-	Replaced on Nov 2015 by heavy standard tree on holding nursery in Nov 2015	
A704	<i>Lagerflora</i>	→ 紅木	LCSD	5	110	3.0	Fair	Fair	Fair	Fair	Low	Low	Transplant	Block B (Original Location)	-	-	Replaced	
A701	<i>Ricinus</i>	土牛	LCSD	11	412	4	Fair	Fair	Fair	Fair	Medium	Medium	Direct transplant	Central	-	-	Replaced	
A702	<i>Ficus</i>	黃木	LCSD	7.5	100	3.5	Poor	Poor	Poor	Poor	Low	Low	Transplant	C18-Burnsey	-	25-Jul-17	Replaced	
A703	<i>Artocarpus</i>	木白	LCSD	7	110	3.0	Poor	Poor	Poor	Dead	Low	Low	Transplant	C18-Burnsey	-	25-Jul-17	Replaced	

Tree No.	Tree Species	Chinese Name	Maintenance Dept.	Size		Crown Spread (m)	Tree Form (Good, Fair, Poor)	Health (Good, Fair, Poor)	Bulb status	Artery Value (High, Medium, Low)	Survival of Tree (High, Medium, Low)	2013 Recommendation	Final Recommendation Location	Date of tree falling	Compensation
				Tree height (m)	DBH (cm)										
T1727	<i>Rapanea hirsuta</i>	半叶木	LCSD	10.0	370	4.5	Fair	Removed	-	Medium	Medium	Fail	Central	2013	
T1729	<i>Bauhinia distans</i>	洋紫荆	LCSD	8.0	130	5.0	Poor	Removed	-	Low	Medium	Fail	Central	2013	
T1732	<i>Bauhinia distans</i>	洋紫荆	LCSD	7.0	120	7.0	Poor	Removed	-	Low	Medium	Fail	Central	2013	
T1736	<i>Bauhinia distans</i>	洋紫荆	LCSD	10.0	200	10.0	Fair	Removed	-	Medium	Medium	Fail	Central	2013	
T1739	<i>Bauhinia distans</i>	洋紫荆	LCSD	11.0	320	10.0	Fair	Removed	-	Medium	Medium	Fail	Central	2013	
T1742	<i>Bauhinia variegata</i>	洋紫荆	LCSD	8.0	240	8.0	Fair	Removed	-	Medium	Medium	Fail	Central	2013	
T1771	<i>Ficus alba</i>	菩提樹	LCSD	8.0	1000	10.0	Fair	Removed	-	Medium	Low	Fail	Central	2013	
T1781	<i>Bauhinia variegata</i>	洋紫荆	LCSD	3.0	170	6.0	Poor	Removed	-	Low	Low	Fail	Central	2013	
T1782	<i>Bauhinia variegata</i>	洋紫荆	LCSD	8.0	230	6.0	Poor	Removed	-	Low	Low	Fail	C18-Runway	2013	
T1783	<i>Bauhinia variegata</i>	洋紫荆	LCSD	8.0	260	9.0	Poor	Removed	-	Low	Low	Fail	C18-Runway	2013	
T1784	<i>Bauhinia distans</i>	洋紫荆	LCSD	10.0	170	8.0	Poor	Removed	-	Low	Low	Fail	Central	2013	
T1785	<i>Bauhinia distans</i>	洋紫荆	LCSD	10.0	280	10.0	Fair	Removed	-	Low	Low	Fail	Central	2013	
T1789	<i>Bauhinia variegata</i>	洋紫荆	LCSD	8.0	210	7.0	Fair	Removed	-	Medium	Medium	Fail	Central	2013	
T1790	<i>Bauhinia variegata</i>	洋紫荆	LCSD	7.0	200	7.0	Fair	Removed	-	Medium	Medium	Fail	Central	2013	
T1791	<i>Bauhinia variegata</i>	洋紫荆	LCSD	7.0	160	7.0	Fair	Removed	-	Medium	Medium	Fail	Central	2013	
T1792	<i>Bauhinia variegata</i>	洋紫荆	LCSD	7.0	160	6.0	Fair	Removed	-	Medium	Medium	Fail	Central	2013	
T1793	<i>Bauhinia variegata</i>	洋紫荆	LCSD	2.0	130	2.0	Poor	Removed	-	Low	Low	Fail	C18-Runway	2013	
T1794	<i>Bauhinia distans</i>	洋紫荆	LCSD	10.0	210	10.0	Poor	Removed	-	Low	Medium	Fail	Central	2013	
T1795	<i>Bauhinia variegata</i>	洋紫荆	LCSD	7.0	150	7.0	Poor	Removed	-	Low	Medium	Fail	C18-Runway	2013	
T1796	<i>Bauhinia distans</i>	洋紫荆	LCSD	12.0	320	10.0	Poor	Removed	-	Low	Medium	Fail	C18-Runway	2013	
T1798	<i>Bauhinia distans</i>	洋紫荆	LCSD	9.0	180	8.0	Poor	Removed	-	Low	Medium	Fail	Central	2013	
T1799	<i>Bauhinia variegata</i>	洋紫荆	LCSD	3.0	160	3.0	Poor	Removed	-	Low	Medium	Fail	C18-Runway	2013	
T1801	<i>Bauhinia distans</i>	洋紫荆	LCSD	10.0	160	6.0	Poor	Removed	-	Low	Medium	Fail	Central	2013	
T1802	<i>Bauhinia distans</i>	洋紫荆	LCSD	10.0	220	6.0	Poor	Removed	-	Low	Medium	Fail	Central	2013	
T1803	<i>Dodonaea viscidiflora</i>	刺楸	LCSD	13.0	350	12.0	Poor	Removed	-	Low	Medium	Fail	Central	2013	
T1806	<i>Dodonaea viscidiflora</i>	刺楸	LCSD	14.0	330	14.0	Fair	Removed	-	Medium	Medium	Fail	Central	2013	
A1024	<i>Macaranga lewinii</i>	山豆	LCSD	7.0	120	7.0	Fair	Dead	-	Medium	Medium	Fail	Central	2013	
A1024	<i>Macaranga lewinii</i>	山豆	LCSD	7.0	165	6.0	Fair	Dead	-	Medium	Medium	Fail	Central	2013	
A1025	<i>Bauhinia variegata</i>	洋紫荆	LCSD	6.0	110	6.0	Fair	Dead	-	Low	Low	Fail	Central	2013	
A1026	<i>Bauhinia variegata</i>	洋紫荆	LCSD	7.0	110	10.0	Fair	Dead	-	Medium	Medium	Fail	Central	2013	

Compensatory planting of 42 nos. *Wodyetia bilurcata* and 11 nos. *Bauhinia variegata* var. *candida*

# **Appendix E**

## **Summary of transplant trees handed over to other Works Contract**

Tree No.	Tree Species	Chinese Name	Maintenance Dpt.	Site			Tree Form (Qual. Foli. Root)	Health (Good, Damaged)	Arms/Value (High, Medium, Low)	Survival of Transplant (High, Medium, Low)	Recommended Location	Final Transplanting Location	Handover to CC (M728108)	Handover to C19 (M728108)	Replacement
				Tree Height (m)	DBH (mm)	Crown Spread (m)									
T1282	<i>Hibiscus mosueri</i>	芙蓉	LCSO	8.0	170	8.0	Fair	Fair	Medium	Low	Transplant	C19-Rumary	25-Jul-17	Replaced by a heavy standard tree on holding nursery in Nov 2015	
T1338	<i>Erythrina variegata</i>	洋紫荊	LCSO	8.0	205	6.0	Fair	Fair	Medium	Medium	Transplant	C19-Rumary	25-Jul-17	Replaced by a heavy standard tree on holding nursery in Nov 2015	
T1339	<i>Erythrina variegata</i>	洋紫荊	LCSO	8.0	205	8.0	Fair	Fair	Medium	Medium	Transplant	C19-Rumary	25-Jul-17	Replaced by a heavy standard tree on holding nursery in Nov 2015	
T1340	<i>Erythrina variegata</i>	洋紫荊	LCSO	8.0	150	8.0	Fair	Fair	Medium	Medium	Transplant	C19-Rumary	25-Jul-17	Replaced by a heavy standard tree on holding nursery in Nov 2015	
T1341	<i>Erythrina variegata</i>	洋紫荊	LCSO	8.0	100	8.0	Fair	Fair	Medium	Medium	Transplant	C19-Rumary	25-Jul-17	Replaced by a heavy standard tree on holding nursery in Nov 2015	
T1342	<i>Erythrina variegata</i>	洋紫荊	LCSO	6.0	120	5.0	Fair	Fair	Medium	Medium	Transplant	C19-Rumary	25-Jul-17	Replaced by a heavy standard tree on holding nursery in Nov 2015	
T1343	<i>Erythrina variegata</i>	洋紫荊	LCSO	8.0	215	6.0	Fair	Fair	Medium	Medium	Transplant	C19-Rumary	25-Jul-17	Replaced by a heavy standard tree on holding nursery in Nov 2015	
T1420	<i>Hibiscus mosueri</i>	芙蓉	LCSO	7.0	170	6.0	Fair	Fair	Medium	Low	Transplant	C19-Rumary	25-Jul-17	Replaced by a heavy standard tree on holding nursery in Nov 2015	
T1438	<i>Ficus aliiiana</i>	青洲榕(青洲)	LCSO	7.0	350	7.0	poor	Fair	Medium	Medium	Transplant	C19-Rumary	25-Jul-17	Replaced by a heavy standard tree on holding nursery in Nov 2015	
T1460	<i>Ficus aliiiana</i>	青洲榕(青洲)	LCSO	6.5	400	8.0	Fair	Fair	Medium	Medium	Transplant	C19-Rumary	25-Jul-17	Replaced by a heavy standard tree on holding nursery in Nov 2015	
T1492	<i>Ficus aliiiana</i>	青洲榕(青洲)	LCSO	6.0	370	6.0	Fair	Fair	Medium	Medium	Transplant	C19-Rumary	25-Jul-17	Replaced by a heavy standard tree on holding nursery in Nov 2015	
T1495	<i>Ficus aliiiana</i>	青洲榕(青洲)	LCSO	7.5	220	5.0	Fair	Fair	Medium	Medium	Transplant	C19-Rumary	25-Jul-17	Replaced by a heavy standard tree on holding nursery in Nov 2015	
T1501	<i>Erythrina variegata</i>	洋紫荊	LCSO	5.0	180	7.0	Fair	Damaged	Medium	Medium	Transplant	C19-Rumary	25-Jul-17	Replaced	
T1711	<i>Nyssa sinensis</i>	苦楝	LCSO	12.0	350	10.0	Poor	Dead Tree	Medium	Low	Transplant	C19-Rumary	25-Jul-17	Replaced	
T1725	<i>Nyssa sinensis</i>	苦楝	LCSO	14.0	420	10.0	Fair	Dead Tree	Medium	Low	Transplant	C19-Rumary	25-Jul-17	Replaced on Aug 2018	
T1756	<i>Bauhinia bhutanensis</i>	洋紫荊	LCSO	7.0	220	7.0	Fair	Damaged	Medium	Medium	Transplant	CC-Nursery site	25-Jul-17	Replaced	
T1854	<i>Dalbergia baliensis</i>	白木香	LCSO	4.0	70	2.0	Fair	poor	Medium	Medium	Transplant	CC-Nursery site	13-Jul-17	Replaced	
T1855	<i>Dalbergia baliensis</i>	白木香	LCSO	4.0	70	3.0	Fair	poor	Medium	Medium	Transplant	C19-Rumary	25-Jul-17	Replaced	
T1884	<i>Ficus verna</i>	菩提樹(大葉)	LCSO	7.0	270	7.0	Fair	Fair	Medium	Low	Transplant	C19-Rumary	25-Jul-17	Replaced	
A7001	<i>Hibiscus mosueri</i>	芙蓉	LCSO	7.0	115	6.0	Fair	Damaged	Medium	Medium	Transplant	CC-Nursery site	13-Jul-17	Replaced	
A7005	<i>Dalbergia baliensis</i>	白木香	LCSO	6.0	120	5.0	poor	Fair	Medium	Medium	Transplant	CC-Nursery site	13-Jul-17	Replaced by a heavy standard tree on holding nursery in Nov 2015	
A7007	<i>Albizia salicaria</i>	白木香	LCSO	4.0	110	2.0	Fair	Fair	Medium	Medium	Transplant	CC-Nursery site	13-Jul-17	Replaced by a heavy standard tree on holding nursery in Nov 2015	
A7022	<i>Bauhinia bhutanensis</i>	洋紫荊	LCSO	6.0	100	5.0	Fair	Dead	Medium	Medium	Transplant	CC-Nursery site	13-Jul-17	Replaced by a heavy standard tree on holding nursery in Nov 2015	
A7037	<i>Nyssa sinensis</i>	苦楝	LCSO	12	300	4.0	Fair	Dead	Medium	Medium	Transplant	C19-Rumary	25-Jul-17	Replaced on Nov 2015	
A7058	<i>Nyssa sinensis</i>	苦楝	LCSO	9	220	4.0	Fair	Dead	Medium	Medium	Transplant	C19-Rumary	25-Jul-17	Replaced on Nov 2015 by heavy standard tree on holding nursery in Nov 2015	
A7062	<i>Ficus verna</i>	菩提樹	LCSO	1.5	100	3.5	poor	poor	Low	Low	Transplant	C19-Rumary	25-Jul-17	Replaced	
A7063	<i>Acrocarpus sativa</i>	刺楸	LCSO	7	110	3.0	poor	Dead	Low	Low	Transplant	C19-Rumary	25-Jul-17	Replaced	

Tree No.	Tree Species	Chinese Name	Maintenance Dept.	Size			Crown Spread (m)	Tree Form (Round, Fair, Poor)	Health (Good, Fair, Poor, Dead/Severely Damaged)	Anxiety Value (High, Medium, Low)	Survival of Transplant (High, Medium, Low)	Recommendation	Final Transplanting Location
				Time Height (m)	DBH (cm)	Crown Spread (m)							
T1231	Hibiscus sabosus	木槿	LCSO	7.0	123	3.0	Fair	Fair	Medium	Low	Transplant	C1B-Rumsey	
T1232	Hibiscus sabosus	木槿	LCSO	5.0	133	4.0	Fair	Fair	Medium	Low	Transplant	C1B-Rumsey	
T1281	Hibiscus sabosus	木槿	LCSO	5.0	193	6.0	Poor	Fair	Medium	Low	Transplant	C1B-Rumsey	
T1283	Hibiscus sabosus	木槿	LCSO	7.0	143	5.0	Fair	Fair	Medium	Low	Transplant	C1B-Rumsey	
T1284	Hibiscus sabosus	木槿	LCSO	7.0	193	6.0	Fair	Fair	Medium	Low	Transplant	C1B-Rumsey	
T1285	Hibiscus sabosus	木槿	LCSO	6.0	165	6.0	Fair	Fair	Medium	Low	Transplant	C1B-Rumsey	
T1286	Hibiscus sabosus	木槿	LCSO	6.0	273	6.0	Fair	Fair	Medium	Low	Transplant	C1B-Rumsey	
T1290	Azalea scholoides	杜鹃	LCSO	3.5	107	1.5	Fair	Fair	Medium	Low	Transplant	C1B-Rumsey	
T1296	Dubautia corymbosa	西洋木	LCSO	5.0	175	6.0	Fair	Fair	Medium	Medium	Transplant	C1B-Rumsey	
T1297	Azalea scholoides	杜鹃	LCSO	4.5	113	3.5	Fair	Fair	Medium	Low	Transplant	C1B-Rumsey	
T1222	Azalea scholoides	杜鹃	LCSO	4.0	113	2.0	Fair	Fair	Medium	Low	Transplant	C1B-Rumsey	
T1243	Erythrina variegata	蝶豆	LCSO	6.0	203	6.0	Fair	Fair	Medium	Medium	Transplant	C1B-Rumsey	
T1344	Erythrina variegata	蝶豆	LCSO	7.0	193	6.0	Fair	Fair	Medium	Medium	Transplant	C1B-Rumsey	
T1421	Hibiscus sabosus	木槿	LCSO	6.0	143	6.0	Poor	Fair	Medium	Low	Transplant	C1B-Rumsey	
T1456	Ficus altissima	青山榕(青)	LCSO	4.0	135	3.0	Fair	Fair	Medium	Medium	Transplant	C1B-Rumsey	
T1467	Ficus altissima	青山榕(青)	LCSO	4.5	143	3.0	Fair	Fair	Medium	Medium	Transplant	C1B-Rumsey	
T1429	Ficus altissima	青山榕(青)	LCSO	5.0	213	4.0	Fair	Fair	Medium	Medium	Transplant	C1B-Rumsey	
T1461	Ficus altissima	青山榕(青)	LCSO	5.0	263	5.0	Fair	Fair	Medium	Medium	Transplant	C1B-Rumsey	
T1493	Ficus microcarpa	细叶榕(青)	LCSO	6.5	243	5.0	Fair	Fair	Medium	Medium	Transplant	C1B-Rumsey	
T1494	Ficus microcarpa	细叶榕(青)	LCSO	7.0	253	5.0	Fair	Fair	Medium	Medium	Transplant	C1B-Rumsey	
T1498	Ficus microcarpa	细叶榕(青)	LCSO	7.0	233	5.0	Fair	Fair	Medium	Medium	Transplant	C1B-Rumsey	
T1497	Ficus microcarpa	细叶榕(青)	LCSO	7.0	213	5.0	Fair	Fair	Medium	Medium	Transplant	C1B-Rumsey	
T1499	Ficus microcarpa	细叶榕(青)	LCSO	6.0	233	6.0	Fair	Fair	Medium	Medium	Transplant	C1B-Rumsey	
T1493	Ficus altissima	青山榕(青)	LCSO	5.0	213	5.0	Fair	Fair	Medium	Medium	Transplant	C1B-Rumsey	
T1500	Ficus microcarpa	细叶榕(青)	LCSO	5.5	213	6.0	Fair	Fair	Medium	Medium	Transplant	C1B-Rumsey	
T1776	Lagerströmia speciosa	土沉香	LCSO	6.0	165	7.0	Fair	Fair	Medium	Low	Transplant	C1B-Rumsey	
T1777	Lagerströmia speciosa	土沉香	LCSO	6.5	165	7.0	Fair	Fair	Medium	Low	Transplant	C1B-Rumsey	
T1778	Lagerströmia speciosa	土沉香	LCSO	6.0	143	6.0	Poor	Fair	Medium	Low	Transplant	C1B-Rumsey	
T1817	Ficus elastica	印度橡胶树(青)	LCSO	5.0	105	2.0	Fair	Fair	Medium	Low	Transplant	C1B-Rumsey	
T1827	Dryas senegalensis	非洲紫露草	LCSO	12.0	315	7.0	Fair	Fair	Medium	Low	Transplant	C1B-Rumsey	
T1846	Dryas senegalensis	非洲紫露草	LCSO	15.0	263	7.0	Fair	Fair	Medium	Low	Transplant	C1B-Rumsey	
T1856	Ficus altissima	青山榕(青)	LCSO	5.0	620	7.0	Fair	Fair	Medium	Medium	Transplant	C1B-Rumsey	
T1859	Ficus virens	毛黄榕(大青榕)	LCSO	4.0	315	3.0	Poor	Fair	Low	Medium	Transplant	C1B-Rumsey	
T1870	Ficus virens	毛黄榕(大青榕)	LCSO	7.0	233	9.0	Fair	Fair	Medium	Low	Transplant	C1B-Rumsey	
T1872	Erythrina composita	蝶豆	LCSO	10.0	307	8.0	Fair	Fair	Medium	Low	Transplant	C1B-Rumsey	
AT003	Dodonaea viscidiflora	日里木	LCSO	7.0	233	4.0	Poor	Fair	Medium	Medium	Transplant	CC-Rumsey 26	
AT008	Azalea scholoides	杜鹃	LCSO	5.0	115	5.0	Poor	Fair	Medium	Medium	Transplant	CC-Rumsey 26	
AT008	Dodonaea viscidiflora	日里木	LCSO	6.0	193	4.5	Fair	Fair	Medium	Medium	Transplant	CC-Rumsey 26	
AT009	Dodonaea viscidiflora	日里木	LCSO	5.5	113	6.0	Fair	Fair	Medium	Medium	Transplant	CC-Rumsey 26	
AT015	Ficus altissima	青山榕	LCSO	4.0	85	2.0	Fair	Fair	Medium	Medium	Transplant	CC-Rumsey 26	
AT017	Ficus altissima	青山榕	LCSO	3.0	100	2.0	Fair	Fair	Medium	Medium	Transplant	CC-Rumsey 26	
A1001	Hibiscus chinensis	木槿	LCSO	1.5	153	2.0	Fair	Fair	Medium	Medium	Transplant	C1B-Rumsey	

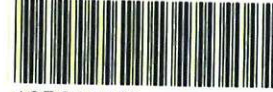
**Appendix F**  
**Handed over record to Maintenance**  
**Agency**



AECOM  
8/F, Grand Central Plaza, Tower 2,  
138 Shatin Rural Committee Road,  
Shatin, Hong Kong  
香港新界沙田鄉事會路 138 號  
新城市中央廣場第 2 座 8 樓  
www.aecom.com

Engineer's Representative's Office  
Room 1401-06, 14/F., Eastern Centre,  
1065 King's Road, Quarry Bay, H.K.  
香港銅鑼灣英皇道 1065 號  
東達中心 14 樓 1401-06 室  
+852 3650 1600 tel  
+852 3665 0106 fax

Your Ref. : -  
Our Ref. : CWB/(HY/2009/18)/C55/500/18B011812



18B011812

15 May 2018

Leisure and Cultural Services Department  
Leisure Services Branch  
Leisure Services Branch - Division 2  
Leisure Management/Hong Kong West  
Central and Western District Leisure Service Office  
Room 1001, 10/F., Sheung Wan Municipal Services Building,  
345 Queen's Road Central,  
Hong Kong.

Attn.: Mr. Lo Ying Hung, Michael

Dear Sir,

**Contract No. HY/2009/18**  
**Central-Wan Chai Bypass – Central Interchange**

**Handover of Planters along Man Kwong Street**

I refer to the joint handover inspection amongst Mr. Michael Lo and his team (LCSD), Mr. Michael Cheng and Mr. Cheung Cheuk Wai (AECOM) and Miss Wayne Law (LCAL) on 23 April 2018 of the planters along Man Kwong Street as shown on the enclosed planting layout plans (**Annex A**).

I note that your department is satisfied with the condition of the planters and the associated irrigation system and has no objection to taking over the horicultural maintenance thereof with effect from 24 April 2018.

Lastly, I enclose herewith the drawings of irrigation system for these planters (**Annex B**), photos taken during the final handover inspection (**Annex C**) and also the Tree Risk Assessment Form 1 Report 2018 (**Annex D**) for your record.

Should you have any queries, please free feel to contact my RE, Mr. Nelson Chin at 6461 8784.

Yours faithfully,  
For and on behalf of  
AECOM Asia Co. Ltd.

David Kwan  
Chief Resident Engineer

---

# AECOM

P.2

Your Ref. : -  
Our Ref. : CWB/(HY/2009/18)/C55/500/18B011812

Encl.

c.c. CE3/MW, HyD - Attn : Mr. W.K. Lo ] - w/encl.

e.c. AECOM - Attn.: Mr. Alex Li / Ms. Ivy Chung  
RSS - PP, YN

Response required : Yes / No

DK/RYN/AC/AWHC/CFC/al  
E



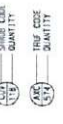
**Annex A**  
**Planting Layout Plan**

---



KEY PLAN

LEGEND:



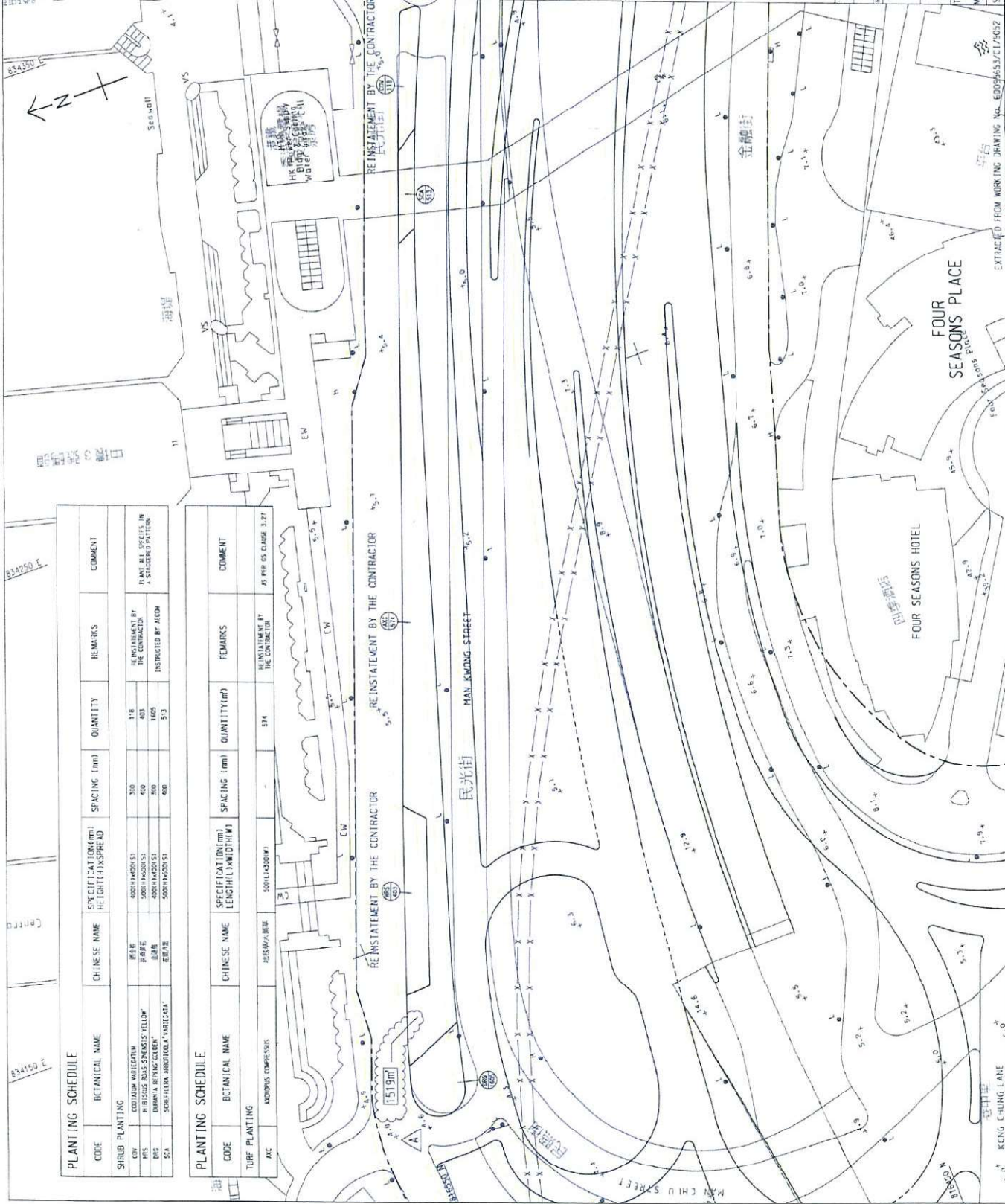
A	FOR RECORD ONLY	REVISED
B	FOR REVISION OF PLANTING PATTERN	REVISED
C	FOR REVISION OF PLANTING PATTERN	REVISED
D	FOR REVISION OF PLANTING PATTERN	REVISED
E	FOR REVISION OF PLANTING PATTERN	REVISED
F	FOR REVISION OF PLANTING PATTERN	REVISED
G	FOR REVISION OF PLANTING PATTERN	REVISED
H	FOR REVISION OF PLANTING PATTERN	REVISED
I	FOR REVISION OF PLANTING PATTERN	REVISED
J	FOR REVISION OF PLANTING PATTERN	REVISED
K	FOR REVISION OF PLANTING PATTERN	REVISED
L	FOR REVISION OF PLANTING PATTERN	REVISED
M	FOR REVISION OF PLANTING PATTERN	REVISED
N	FOR REVISION OF PLANTING PATTERN	REVISED
O	FOR REVISION OF PLANTING PATTERN	REVISED
P	FOR REVISION OF PLANTING PATTERN	REVISED
Q	FOR REVISION OF PLANTING PATTERN	REVISED
R	FOR REVISION OF PLANTING PATTERN	REVISED
S	FOR REVISION OF PLANTING PATTERN	REVISED
T	FOR REVISION OF PLANTING PATTERN	REVISED
U	FOR REVISION OF PLANTING PATTERN	REVISED
V	FOR REVISION OF PLANTING PATTERN	REVISED
W	FOR REVISION OF PLANTING PATTERN	REVISED
X	FOR REVISION OF PLANTING PATTERN	REVISED
Y	FOR REVISION OF PLANTING PATTERN	REVISED
Z	FOR REVISION OF PLANTING PATTERN	REVISED

AECOM

CENTRAL - WAN CHAI BYPASS AND REC LINK  
CENTRAL INFERRANCE

TITLE: REINSTATEMENT AND SHRUB PLANTING AT  
MAN KWING STREET CENTRAL DIVISION PLANTER

SKETCH NO: 60095653/CT/5K148A



PLANTING SCHEDULE	CODE	BOTANICAL NAME	CHINESE NAME	SPECIFICATION (mm) HEIGHT x SPREAD	SPACING (mm)	QUANTITY	REMARKS	COMMENT
SHRUB PLANTING	CW	CORDYLUM WERTERUM	耳葉	500H x 200S1	300	118	REINSTATEMENT BY THE CONTRACTOR	PLANT ALL SPECIES IN A STAGGERED PATTERN
	HS	RIEUSUS STYLOSINUS 'YELLOW'	銀葉	500H x 400S1	300	405	REINSTATEMENT BY THE CONTRACTOR	
	DS	POEYIFERA VERTICILLATA	銀葉	500H x 400S1	300	165	REINSTATEMENT BY THE CONTRACTOR	
	SL	POEYIFERA VERTICILLATA	銀葉	500H x 400S1	400	513	REINSTATEMENT BY THE CONTRACTOR	

PLANTING SCHEDULE	CODE	BOTANICAL NAME	CHINESE NAME	SPECIFICATION (mm) LENGTH x WIDTH (H)	SPACING (mm)	QUANTITY (m <sup>2</sup> )	REMARKS	COMMENT
TREE PLANTING	AXC	AKODING COMPRESSUS	紅仔	500H x 200W1	300	574	REINSTATEMENT BY THE CONTRACTOR	AS PER DS CLAUSE 3.27

EXTRACTED FROM WORKING DRAWING No. E0095653/CT/4052

1:HY 2009 185000K18A.C1 962 961 25/02/2018 1:07:26



KEY PLAN

- LEGEND:
- SITE BOUNDARY
  - EXISTING TREE TO BE RETAINED
  - EXISTING TREE TO BE TRANSPLANTED
  - TREE AFTER CONSTRUCTION WORKS



PROJECT NO.	FOR CONSTRUCTION	DATE	SCALE

**AECOM**

CENTRAL - WAH CHAI BYPASS AND REC LINK  
CENTRAL INTERCHANGE

TITLE: TREE PLANTING PLAN AT MAH KWING STREET  
PLANTER NEAR CENTRAL PIER NO. 2 & 3

EXTRACTED FROM WORKING DRAWING NO. 600563/61/2011 - 5012 - 0013 SECTION NO. 600563/61/5011E7

FOUR SEASONS HOTEL



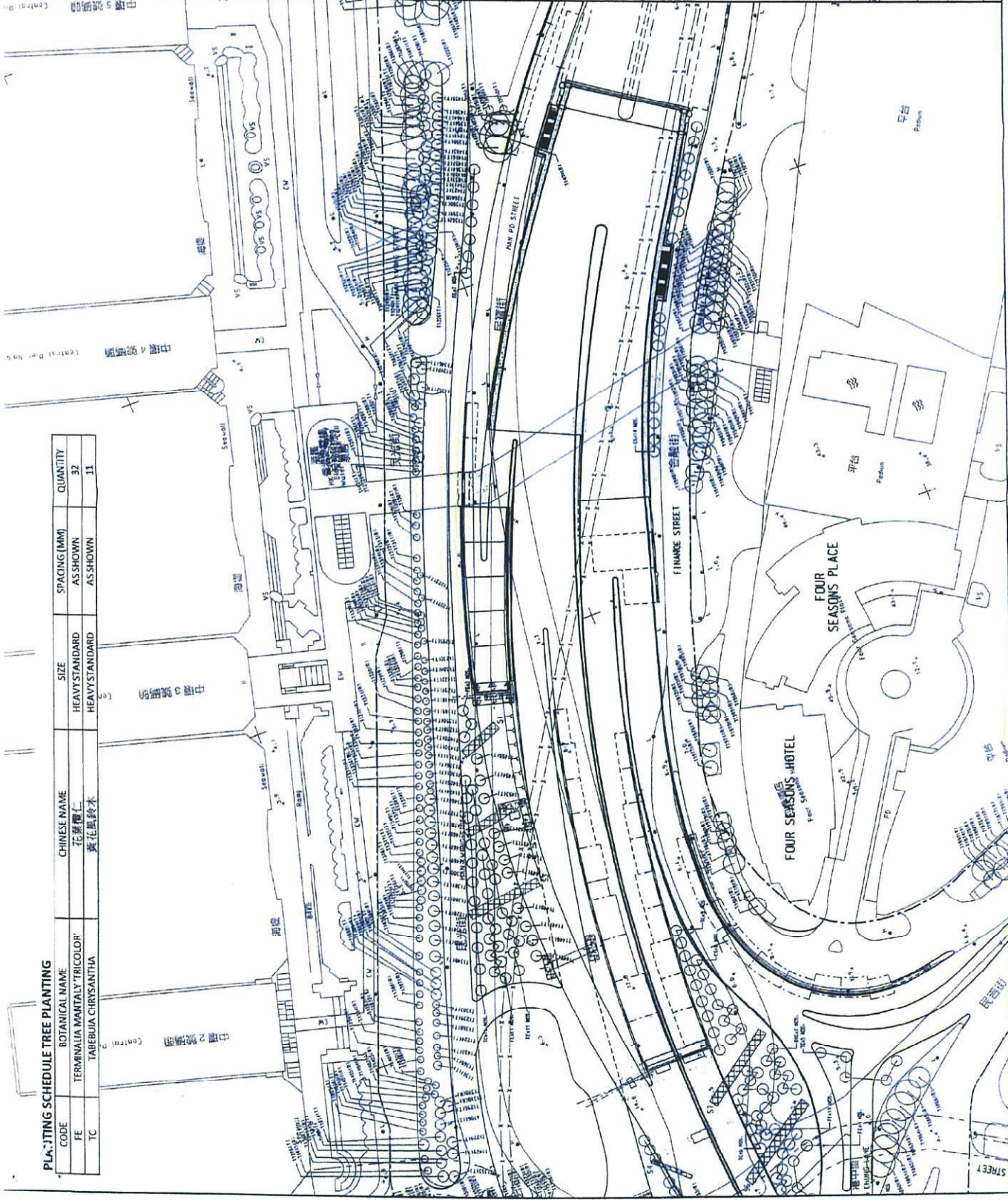
NOTE:  
 1. TREE PLANTING SHALL BE DONE IN CONFORMANCE WITH THE "TREE MANAGEMENT AND PROTECTION ACT".

LEGEND:

- SITE BOUNDARY
- (114278) EXISTING TREE TO BE RETAINED
- (114279) PROPOSED TREE PLANTING
- (114280) FINAL LOCATION OF TRANSPLANTED TREE AFTER CONSTRUCTION MOVES

PLANTING SCHEDULE TREE PLANTING

CODE	BOTANICAL NAME	CHINESE NAME	SIZE	SPACING (MM)	QUANTITY
FE	TERMINALIA MANTALI 'TRICOLOR'	花葉蘭	HEAVY STANDARD	AS SHOWN	32
TC	TAFFELBIA CHRYSANTHA	黃花風鈴木	HEAVY STANDARD	AS SHOWN	11



DATE: 15/11/2008  
 DRAWN BY: [Signature]  
 CHECKED BY: [Signature]  
 APPROVED BY: [Signature]

**AECOM**

CENTRAL - WAN CHAI BYPASS AND REG LINK  
 CENTRAL - WAN CHAI BYPASS  
 CENTRAL INTERCHANGE

TITLE: TREE PLANTING PLAN  
 AT PLANTER B ALONG MAN PO STREET

SKETCH NO. 6095653/CI/SK1178

Scale: 1:1000



PLANTING SCHEDULE

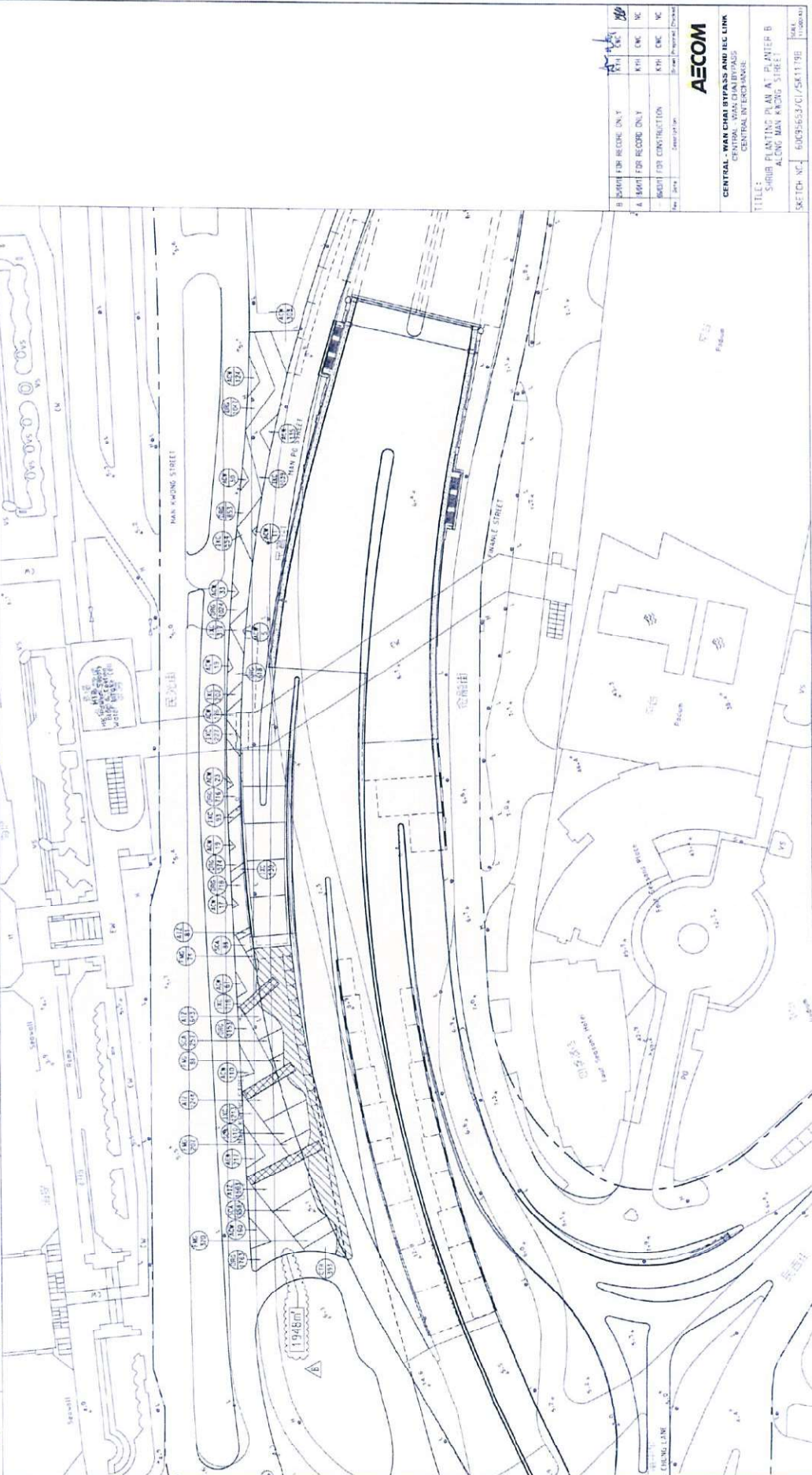
CODE	BOTANICAL NAME	CHINESE NAME	SPECIFICATION (mm) HEIGHT (H) X SPREAD	SPACING (mm)	QUANTITY	COMMENT
<b>SHRUB PLANTING</b>						
A0W	ACALYPHA WILKESIANA 'TRICOLOR'	五彩大葉紅桑	500(H)X500(S)	400	1469	PLANT ALL SPECIES IN A STAGGERED PATTERN.
A1Z	ALPHEA ZERUBELI 'ZANTHIGATA'	花葉馬山蓮	400(H)X400(S)	300	3471	
C1R	CORRYBIUM TERMINALIS 'RUBRA'	朱槿	500(H)X400(S)	300	353	
DRG	DHRAMITA REPENS 'GOLDEN'	金蓮花	400(H)X400(S)	300	8469	
FMG	FICUS MICROCARPA 'GOLDEN LEAF'	黃金榕	500(H)X500(S)	400	685	
IXC	LYBRA COCCINEA 'LUTEA'	黃仔銀金花	400(H)X400(S)	300	5493	
SCA	SCHAEFFERA ARBORESCENS 'VARIEGATA'	花葉八角	500(H)X500(S)	400	1613	

**NOTE:**  
1. THIS DRAWING SHALL BE READ IN CONJUNCTION WITH SPEC. NO. 6003553/1790.

**LEGEND:**

- LANDSCAPE FEATURE AND LIGHTING DETAILS REFER TO SPEC. NO. 6003553/1790 AND 6003553/1791
- STONE FACING FINISHING
- SHRUB CODE QUANTITY

**DATE:** 11/08/2009



**REVISIONS:**

NO.	DATE	DESCRIPTION	BY	CHK
1		FOR RECORD ONLY	KTH	ENC
2		FOR RECORD ONLY	KTH	ENC
3		FOR CONSTRUCTION	KTH	ENC
4		FOR CONSTRUCTION	KTH	ENC

**APPROVED:**

Project Manager: [Signature]

**AECOM**

**CENTRAL - WAN CHAI BYPASS AND LINK**  
CENTRAL - WAN CHAI BYPASS

**TITLE:**  
SHRUB PLANTING PLAN AT PLANTER B  
ALONG HAN KWONG STREET

**SKETCH NO.:** 6003553/01/5811798

**DATE:** 11/08/09

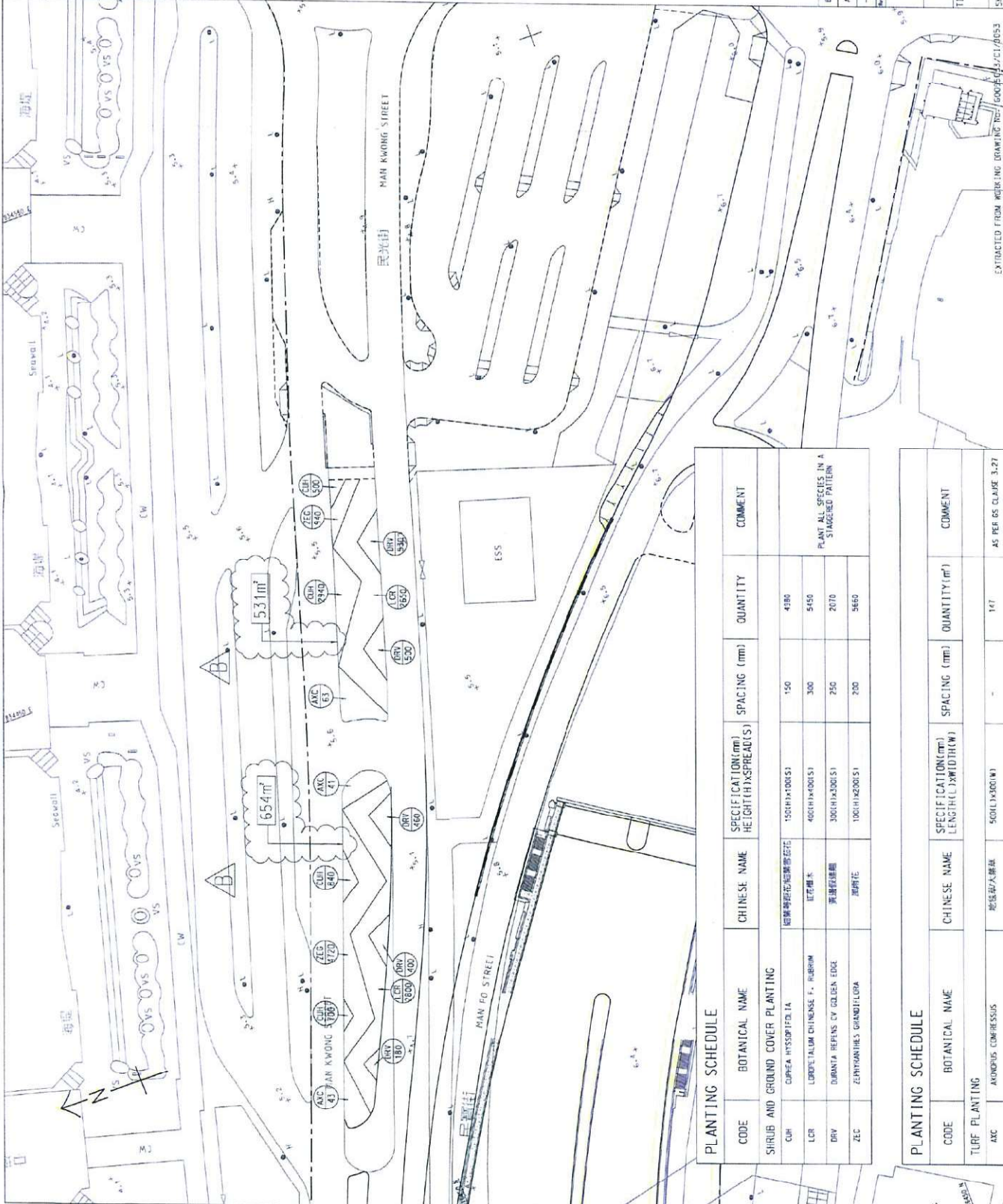


KEY PLAN

NOTE:  
1. FOR NOTES AND LEGEND, SEE DRG. NO. 60095653/C1/7505/1.

LEGEND:

- SHRUB CODE
- QUANTITY
- TURF CODE
- QUANTITY



PLANTING SCHEDULE

CODE	BOTANICAL NAME	CHINESE NAME	SPECIFICATION (mm) HEIGHT X SPREAD (S)	SPACING (mm)	QUANTITY	COMMENT
SHRUB AND GROUND COVER PLANTING						
CUH	CORREA HYSSOPIFOLIA	烟葉菊	150(H) X 100(S)	150	4380	PLANT ALL SPECIES IN A STAGGERED PATTERN
LCR	LOROPETALUM CHINENSE F. RUBRUM	紅花檉木	400(H) X 400(S)	300	5450	
DRV	DURANTA REPENS CV GOLDEN EDGE	紫羅紋連翹	300(H) X 200(S)	250	2070	
ZEC	ZEPHYRANTHES GRANDIFLORA	鳳仙花	100(H) X 200(S)	200	5660	

PLANTING SCHEDULE

CODE	BOTANICAL NAME	CHINESE NAME	SPECIFICATION (mm) LENGTH X WIDTH (W)	SPACING (mm)	QUANTITY (m <sup>2</sup> )	COMMENT
TURF PLANTING						
AXC	AKOPIUM COMBIBISSUS	地盤草	500(L) X 200(W)	-	147	AS PER DS CLAUSE 3.27

B	BOOKS FOR RECORD ONLY	CLL	HTN	NC
A	WORKS FOR CONSTRUCTION	CLL	HTN	NC
-	WORKS FOR CONSTRUCTION	CLL	HTN	NC



CENTRAL - WAN CHAI BYPASS AND IEC LINK  
CENTRAL - WAN CHAI BYPASS  
CENTRAL INTERCHANGE  
TITLE: LANDSCAPE PLAN FOR IEC LINK  
MAN KWONG STREET PLANTING  
SKETCH NO.: 60095653/C1/SK106/B





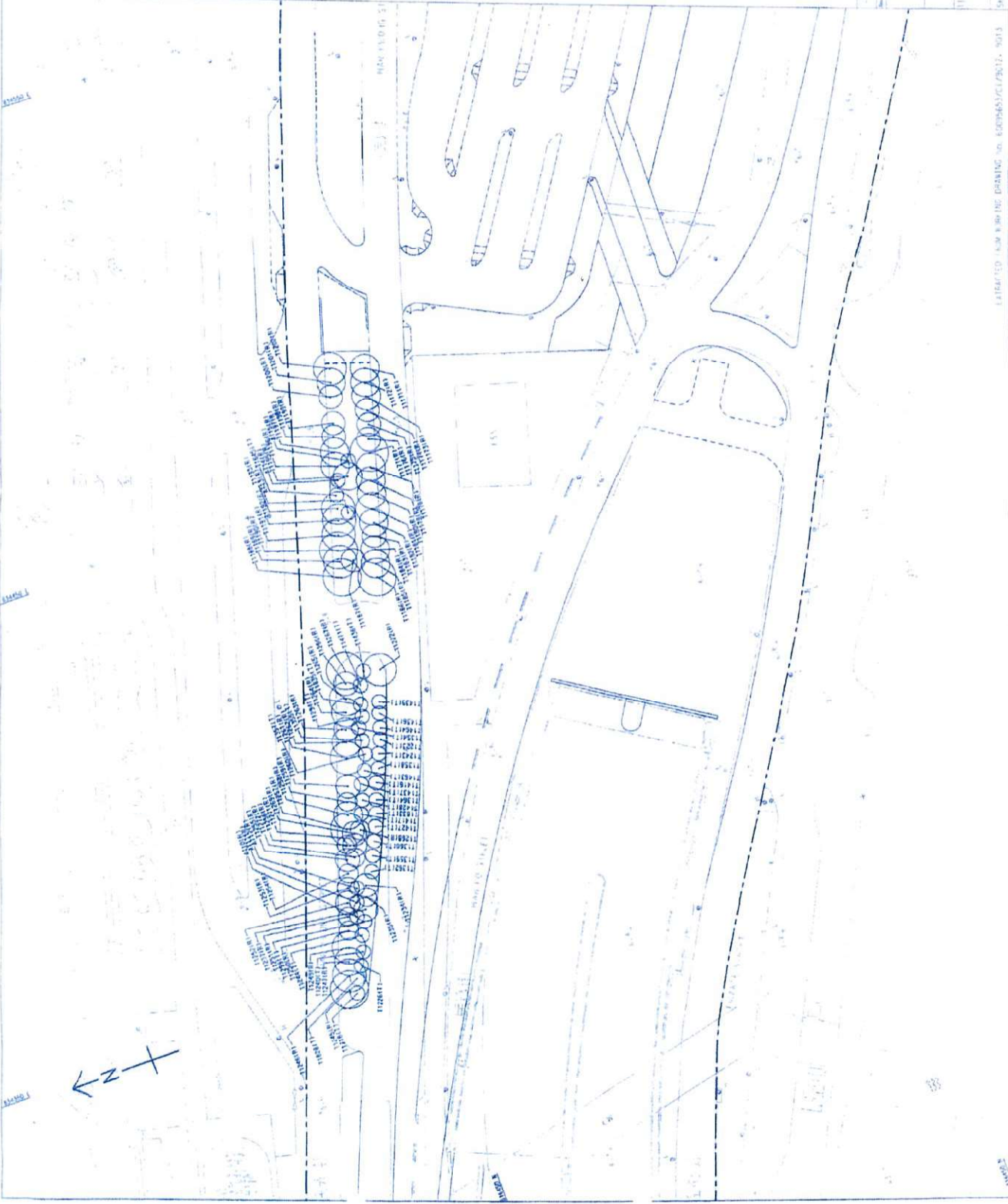
**KEY PLAN**

**NOTE:**

1. THIS DRAWING SHALL BE READ IN CONJUNCTION WITH DRAWINGS: 60095653/4175011 TO 5013.

**LEGEND:**

- SITE BOUNDARY
- (T11881R) EXISTING TREE TO BE RETAINED
- (T14361T) FINAL LOCATION OF TRANSPLANTED TREE AFTER CONSTRUCTION WORKS



REVISION	DATE	BY	CHKD
1	2011-01-04	AC	AC

**AECOM**

**CENTRAL - WAN CHAI BYPASS AND EC LINK**  
CENTRAL - WAN CHAI BYPASS  
CENTRAL INTERCHANGE

**TITLE:** TREE PLANTING PLAN  
AND TREE PRESERVATION

**SHEET NO:** 60095653/4175011/5

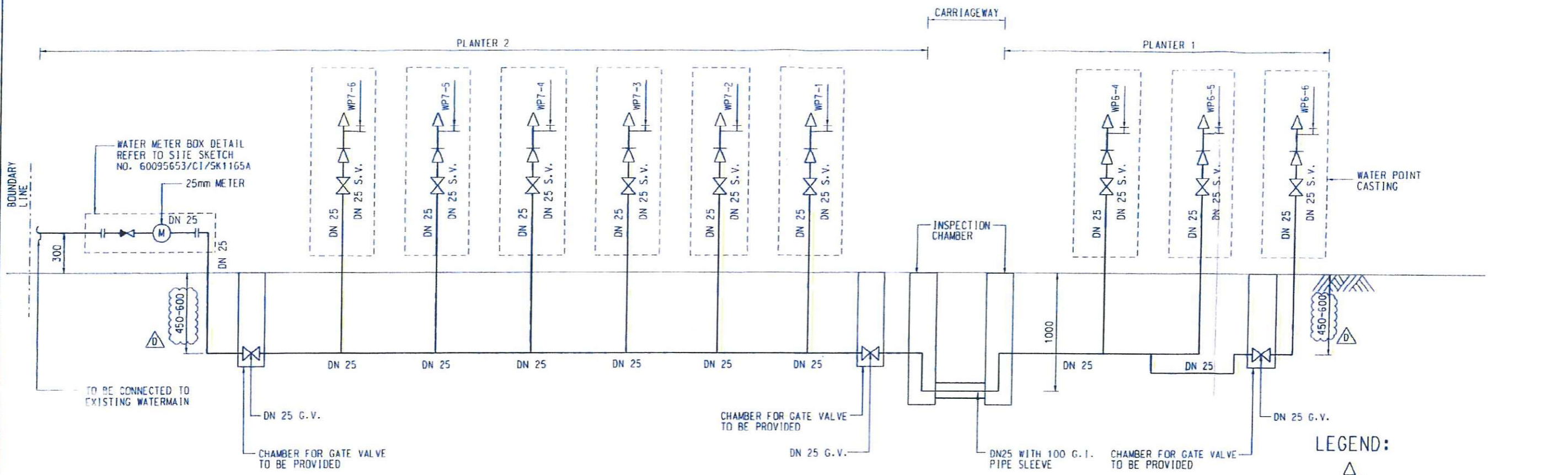
PREPARED FOR: HONG KONG DRAINAGE SERVICE DEPARTMENT, DRAWING NO. 60095653/4175011/5

## **Annex B**

# **Drawings of Irrigation System**

---





SYSTEM WP7-1 TO WP7-6 AND WP6-4 TO WP6-6  
 (IRRIGATION SYSTEM AT PLANTERS BETWEEN MAN KWONG STREET AND MAN PO STREET NEAR ESS)

- LEGEND:**
- WATER POINT
  - NEW POLYETHYLENE (PE) PIPE TO BS ISO 4427 AND BS EN 12201
  - NEW WATER METER
  - NEW GATE VALVE
  - NEW LOOSE JUMPER TYPE STOP COCK
  - ANTI-VACUUM VALVE
  - REMOVABLE KEY AND WATER TAP
  - COPPER PIPE TO BS EN 1057 R250
  - NON-RETURN VALVE

Rev.	Date	Description	Drawn	Prepared	Checked
D	10/10/17	GENERAL REVISIONS	KYH	SP	BL
C	11/10/17	GENERAL REVISIONS	SYW	NC	NC
B	16/12/16	GENERAL REVISIONS	SY	HYN	NC
A	08/08/16	GENERAL REVISIONS	SY	HYN	NC
-	29/03/16	FOR CONSTRUCTION	SY	CH	NC

- NOTES:**
- THE LOCATION AND ALIGNMENT OF IRRIGATION SYSTEM SHALL REFER TO SITE SKETCH NO. 60095653/C1/SK1032C.
  - DETAILS OF GATE VALVE CHAMBER, WATER METER BOX, IRRIGATION WATER POINT, WATER POINT CASING AND INSPECTION CHAMBER SHALL REFER TO SITE SKETCH NO. 60095653/C1/SK1165A.
  - DN PIPE SIZES REFER TO INTERNAL DIAMETER OF PIPE.

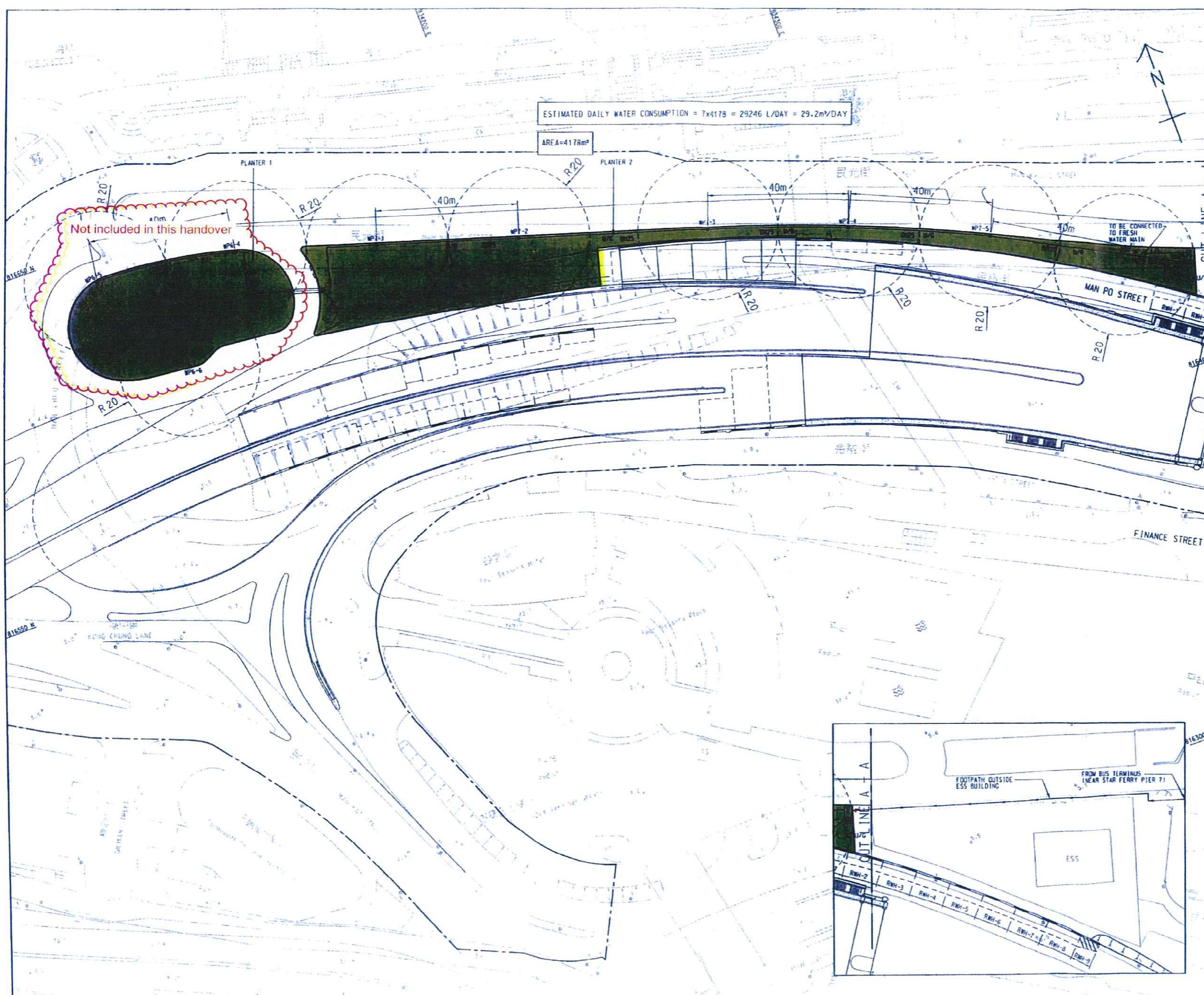
**AECOM**

CENTRAL - WAN CHAI BYPASS AND IEC LINK  
 CENTRAL - WAN CHAI BYPASS  
 CENTRAL INTERCHANGE

TITLE:  
 VERTICAL PLUMBING LINE DIAGRAMS FOR SYSTEM  
 WP6-4 TO WP6-6 AND WP7-1 TO WP7-6

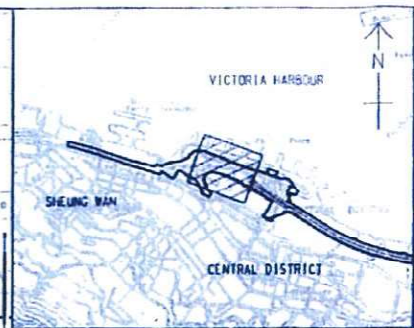
SKETCH NO. 60095653/C1/SK1034D SCALE N.T.S.





ESTIMATED DAILY WATER CONSUMPTION =  $7 \times 4178 = 29246 \text{ L/DAY} = 29.2 \text{ m}^3/\text{DAY}$

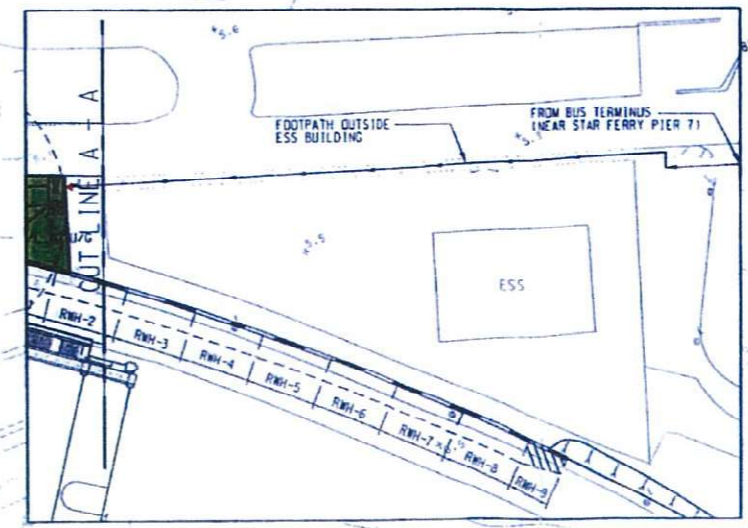
AREA =  $4178 \text{ m}^2$



**KEY PLAN**  
SCALE AS 1 : 20000  
AS 1 : 40000

- NOTES:**
1. WATER PIPES AND WATER METER BOXES OF IRRIGATION SYSTEM SHALL BE INSTALLED IN PLANTERS.
  2. DETAILS OF GATE VALVE CHAMBER, WATER METER BOX, WATER POINT AND INSPECTION CHAMBER SHALL REFER TO ORG. NO. 60095653/C1/SK11654.
  3. MINIMUM HORIZONTAL CLEARANCE OF 600mm FROM CARRIAGEWAY SHALL BE PROVIDED FOR ALL FITTINGS ABOVE GROUND.
  4. VERTICAL PLUMBING LINE DIAGRAM SHALL REFER TO ORG. NO. 60095653/C1/SK10340.
  5. DN PIPE SIZES REFER TO INTERNAL DIAMETER OF PIPE.

- LEGEND:**
- NEW WATER METER BOX FOR IRRIGATION
  - NEW POLYETHYLENE (PE) PIPE TO BS 150 4427
  - NEW TAPER
  - SLEEVE PIPE WITH INSPECTION CHAMBERS AT TWO SIDES
  - NEW STOP VALVE
  - FOOTPATH
  - AMENITY AREA
  - CARRIAGEWAY
  - EXISTING WATERPOINT
  - EXISTING WATERPOINT TO BE DEMOLISHED
  - NEW LOOSE JUMPER TYPE STOP COCK
  - NEW WATERPOINT
  - IRRIGATION POINT COVERING AREA
  - U/G
  - L/L



C	24/10/17	GENERAL REVISIONS	KYH	HYN	CLL
B	06/12/16	GENERAL REVISIONS	SY	HYN	NC
A	26/08/16	REVISED AS CLOUDED	SY	HYN	NC
-	25/03/16	FOR INFORMATION	CLL	CH	NC
Rev.	Date	Description	Drawn	Prepared	Checked

**AECOM**

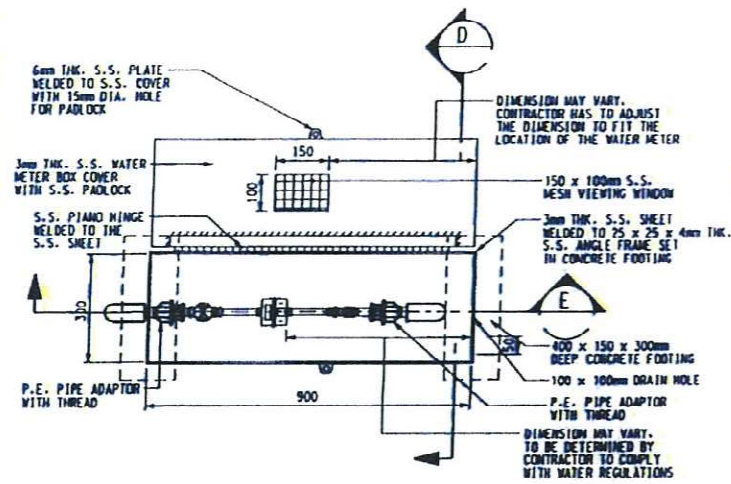
**CENTRAL - WAN CHAI BYPASS AND IEC LINK**  
CENTRAL - WAN CHAI BYPASS  
CENTRAL INTERCHANGE

**TITLE:**  
LAYOUT PLAN FOR IRRIGATION WATER POINT  
6-4 TO 6-6 AND 7-1 TO 7-6

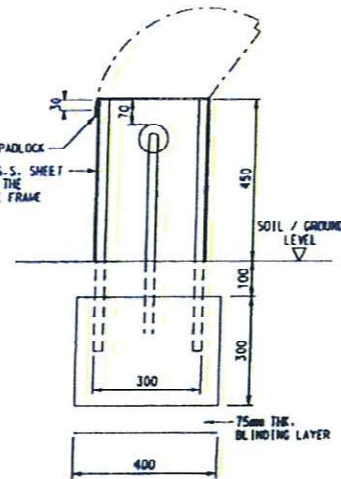
EXTRACTED FROM WORKING DRAWING No. 60095653/C1/2403

SKETCH NO. 60095653/C1/SK1032C SCALE 1:1000(A3)

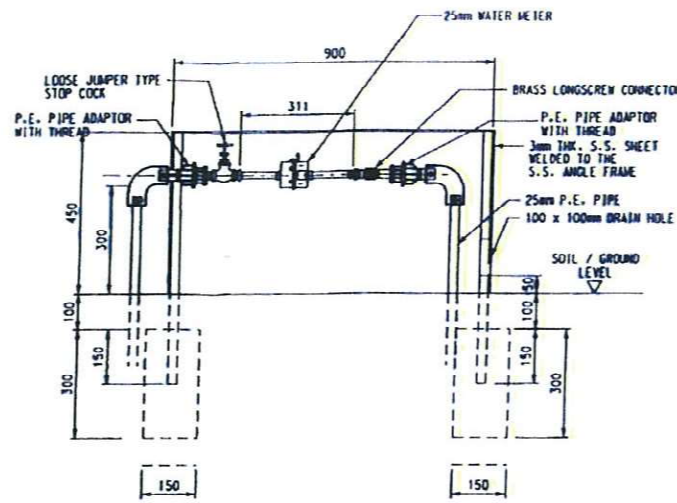




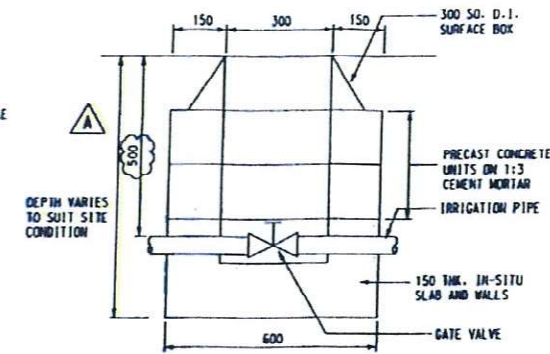
PLAN OF WATER METER BOX  
SCALE 1:10



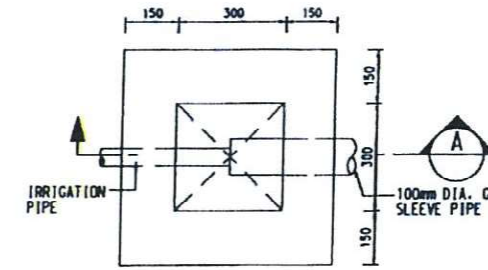
SECTION D  
SCALE 1:10



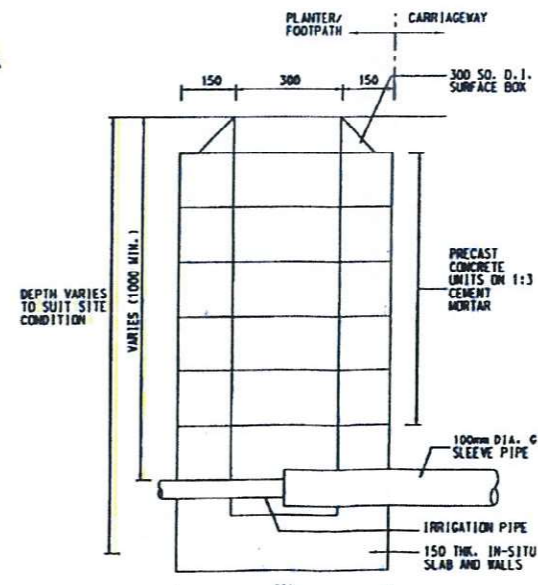
SECTION E  
SCALE NTS



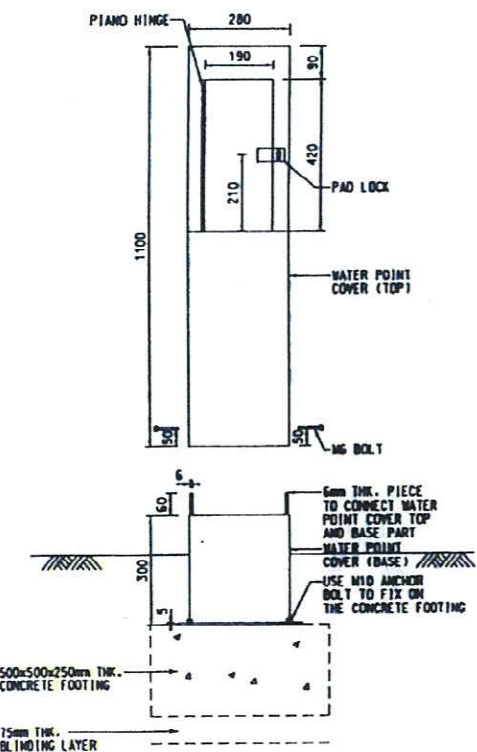
VALVE COVER BOXES  
SCALE 1:10



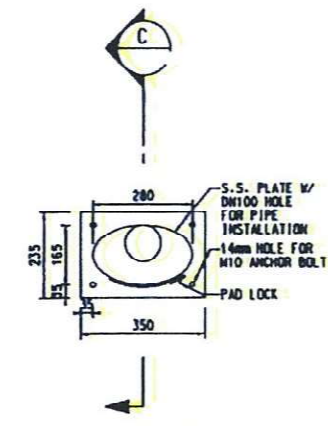
PLAN OF INSPECTION CHAMBER DETAIL  
SCALE 1:10



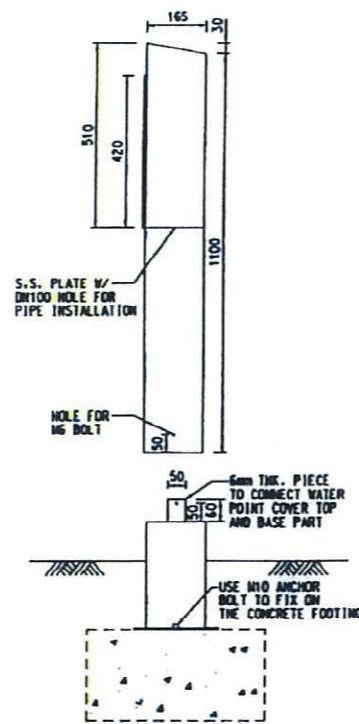
INSPECTION CHAMBER  
SECTION A  
SCALE 1:10



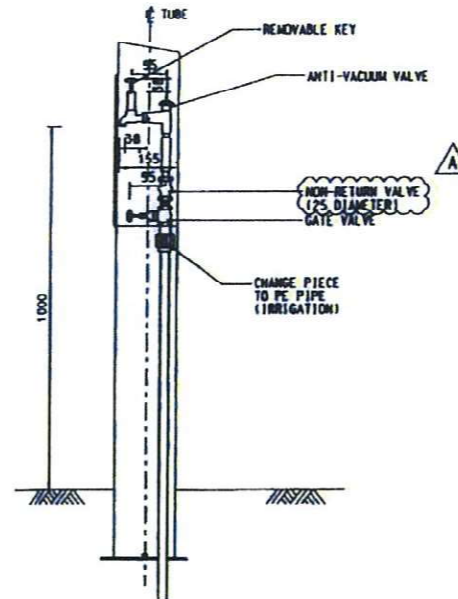
ELEVATION OF WATER POINT  
SCALE 1:10



PLAN OF WATER POINT  
SCALE 1:10



SECTION C  
SCALE 1:10



WATER POINT DETAILS  
SCALE 1:10

- NOTES :
1. ALL DIMENSIONS ARE IN MILLIMETRES.
  2. FOR DETAILS OF 300 SO. D.I. SURFACE BOX REFER TO WSD STANDARD DRAWING NO. WSD 7.47C.
  3. FOR DETAILS OF PRECAST CONCRETE UNITS REFER TO DRAWING NO. WSD 1.7E.
  4. GRADE OF CONCRETE SHALL BE 30/200 UNLESS OTHERWISE SPECIFIED.
  5. EXACT LOCATION OF WATER POINT TO BE DETERMINED ON SITE.
  6. GRADE OF STAINLESS STEEL SHALL BE 304 UNLESS OTHERWISE SPECIFIED.

Rev.	Date	Description	Drawn	Prepared	Checked
A	15/01/11	FOR CONSTRUCTION	SYW	HYM	NC
B	16/02/11	FOR CONSTRUCTION	SY	HYM	NC

**AECOM**

CENTRAL - WAN CHAI BYPASS AND IEC LINK  
CENTRAL - WAN CHAI BYPASS  
CENTRAL INTERCHANGE

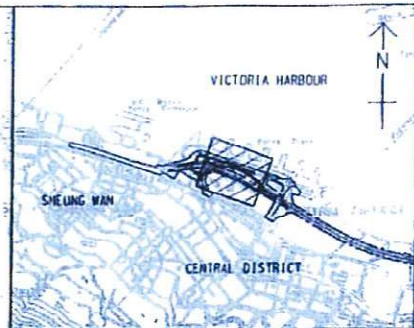
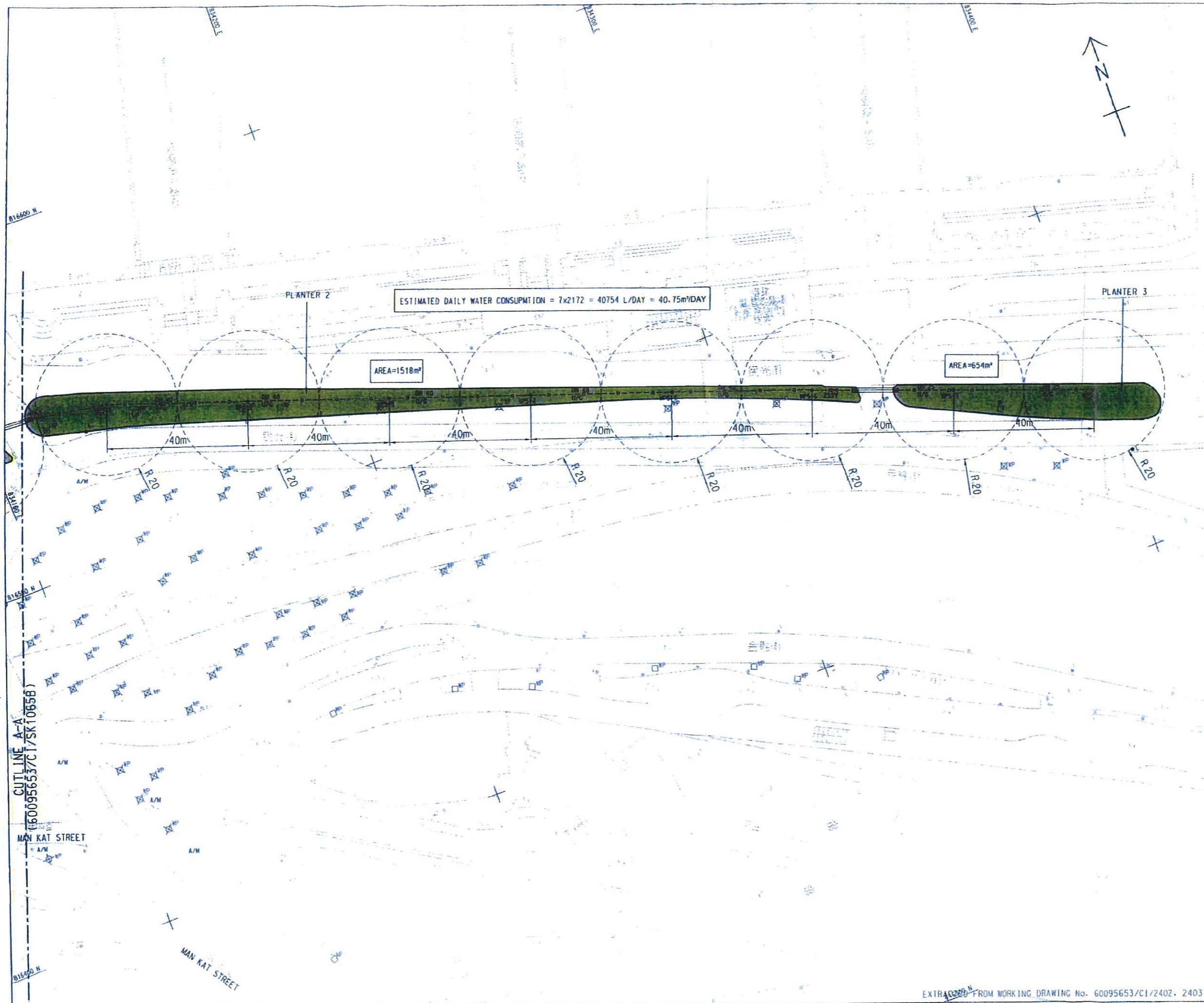
TITLE:  
IRRIGATION SYSTEM MISCELLANEOUS DETAILS

SKETCH NO. 60095653/C1/SK1165A SCALE 1:1 AS SHOWN



EXTRACTED FROM WORKING DRAWING No. 3128/ACL/10245





**KEY PLAN**  
 SCALE A1 : 20000  
 A3 : 40000

- NOTES:**
1. THIS DRAWING TO BE READ IN CONJUNCTION WITH DRAWING NOS. 60095653/C1/SK1065C.
  2. ALL NOTES AND LEGEND. PLEASE REFER TO DRG. NO. 60095653/C1/SK1065C.

CUTLINE A-A  
 (60095653/C1/SK1065B)

B	4/10/11	GENERAL REVISIONS	KYH	HS	AL
A	22/12/15	FOR INFORMATION	SY	HYN	NC
-	21/05/16	FOR INFORMATION	SY	HYN	NC
Rev.	Date	Description	Drawn	Prepared	Checked



**CENTRAL - WAN CHAI BYPASS AND IEC LINK**  
 CENTRAL - WAN CHAI BYPASS  
 CENTRAL INTERCHANGE

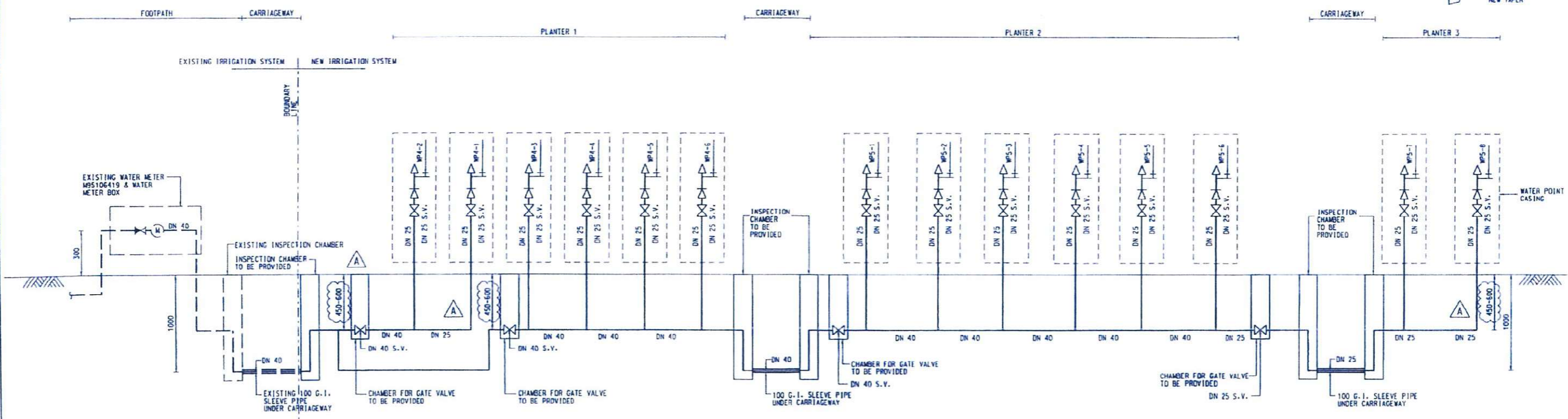
**TITLE:**  
 LAYOUT PLAN FOR IRRIGATION SYSTEM  
 AT MAN KWONG STREET

SKETCH NO.	60095653/C1/SK1069B	SCALE	1:1000(A3)
------------	---------------------	-------	------------



**NOTES:**  
 1. THE LOCATION AND ALIGNMENT OF IRRIGATION SYSTEM SHALL REFER TO SITE SKETCH NO. 60095653/C1/SK10625 AND SK10630.  
 2. DETAILS OF GATE VALVE CHAMBER, WATER METER BOX, IRRIGATION WATER POINT, WATER POINT CASING AND INSPECTION CHAMBER SHALL REFER TO SITE SKETCH NO. 60095653/C1/SK11425.  
 3. DN PIPE SIZES REFER TO INTERNAL DIAMETER OF PIPE.

- LEGEND:**
- WATER POINT
  - NEW POLYETHYLENE (PE) PIPE TO BS 1501 4427 AND BS EN 12201
  - EXISTING WATER METER
  - STOP VALVE
  - NEW LOOSE JUMPER TYPE STOP COCK
  - ANTI-VACUUM VALVE
  - REMOVABLE KEY AND WATER TAP
  - NON-RETURN VALVE
  - NEW TAPER

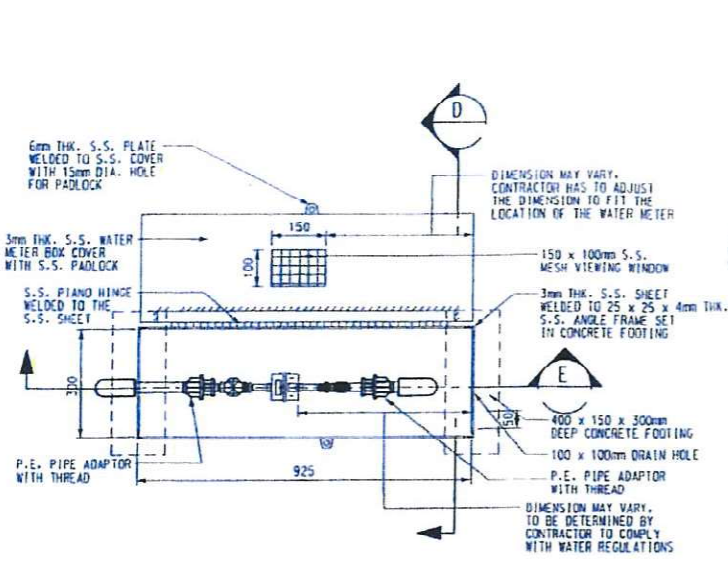


VERTICAL PLUMBING LINE DIAGRAM FOR WP4-1 TO WP4-6 AND WP5-1 TO WP5-8  
 (IRRIGATION SYSTEM AT MAN KWONG STREET PLANTERS)

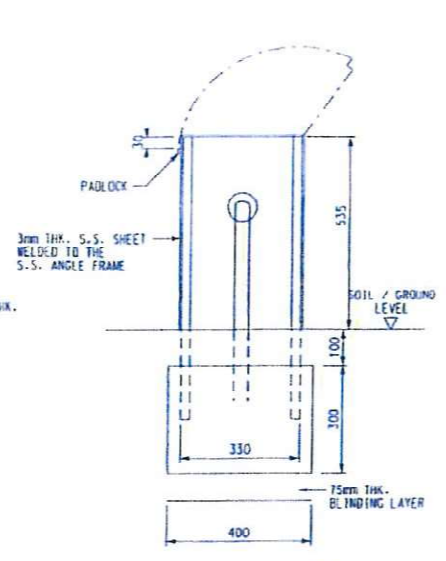
A	24/10/17	GENERAL REVISIONS	HYH	SP	WUE
-	17/11/16	FOR CONSTRUCTION	SY	HYN	NC
Rev.	Date	Description	Drawn	Prepared	Checked
<b>AECOM</b>					
CENTRAL - WAN CHAI BYPASS AND IEC LINK CENTRAL - WAN CHAI BYPASS CENTRAL INTERCHANGE					
TITLE: VERTICAL PLUMBING LINE DIAGRAMS FOR MAN KWONG STREET PLANTERS WP4-1 TO WP4-6 AND WP5-1 TO WP5-8					
SKETCH NO. 60095653/C1/SK1153A SCALE N.T.S.					

EXTRACTED FROM WORKING DRAWING No. 60095653/C1/2411

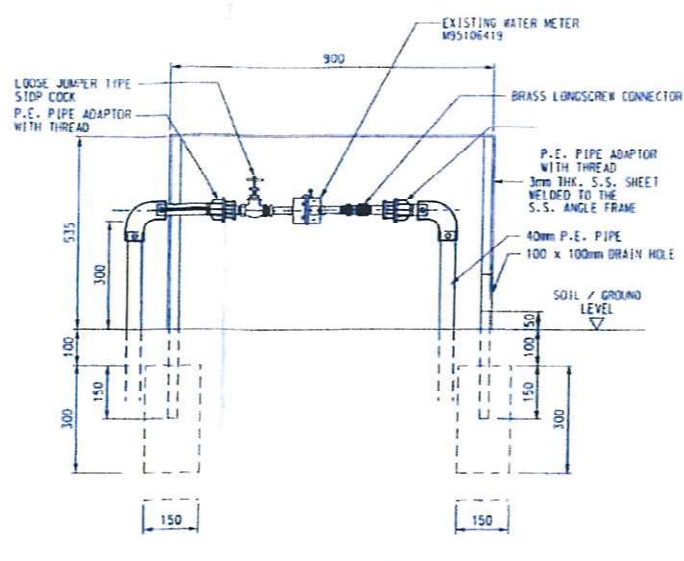




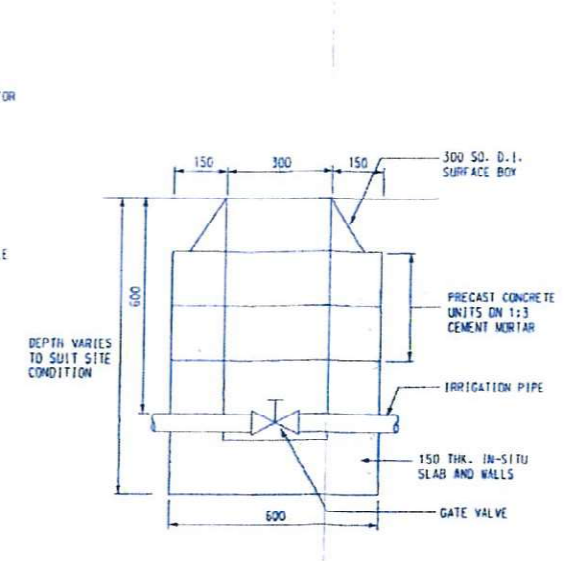
PLAN OF EXISTING WATER METER BOX  
SCALE 1:20



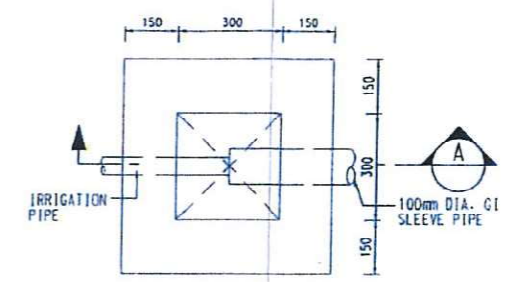
SECTION D  
SCALE 1:20



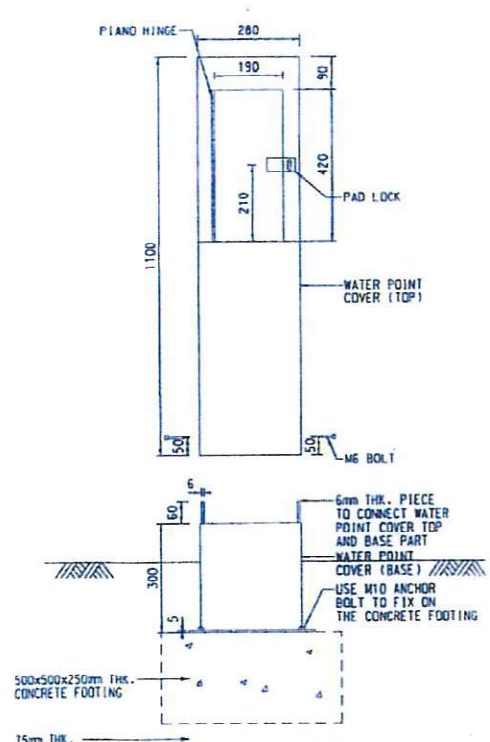
SECTION E  
SCALE NTS



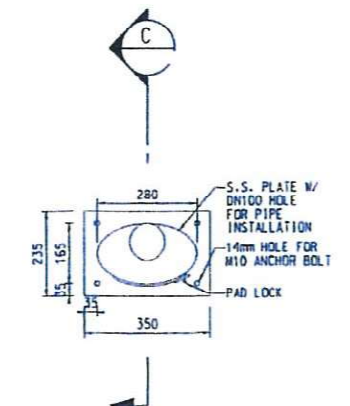
VALVE COVER BOXES  
SCALE 1:20



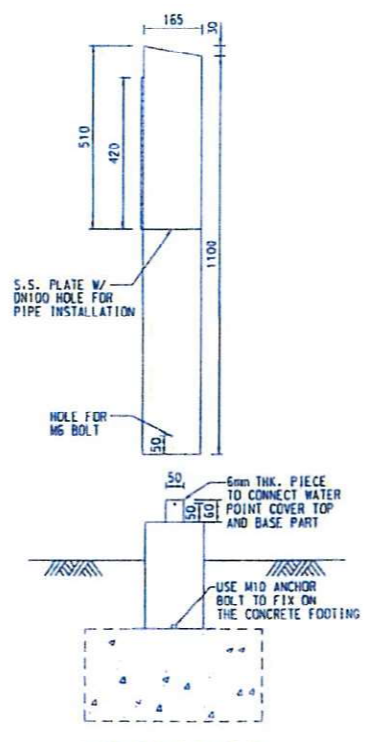
PLAN OF INSPECTION CHAMBER DETAIL  
SCALE 1:10



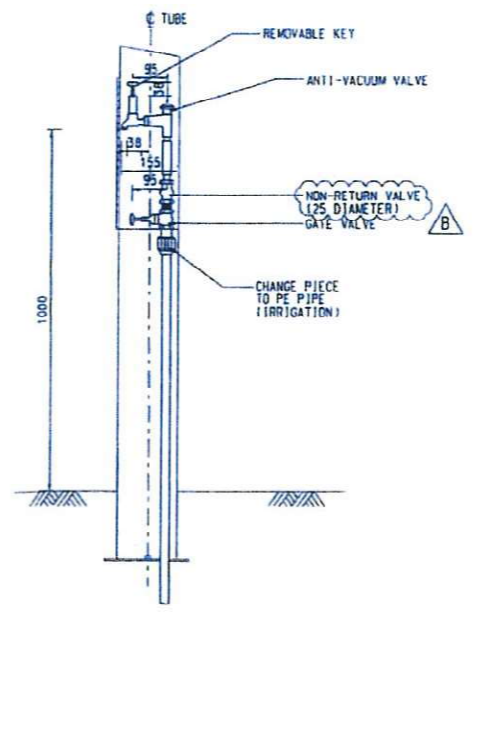
ELEVATION OF WATER POINT  
SCALE 1:20



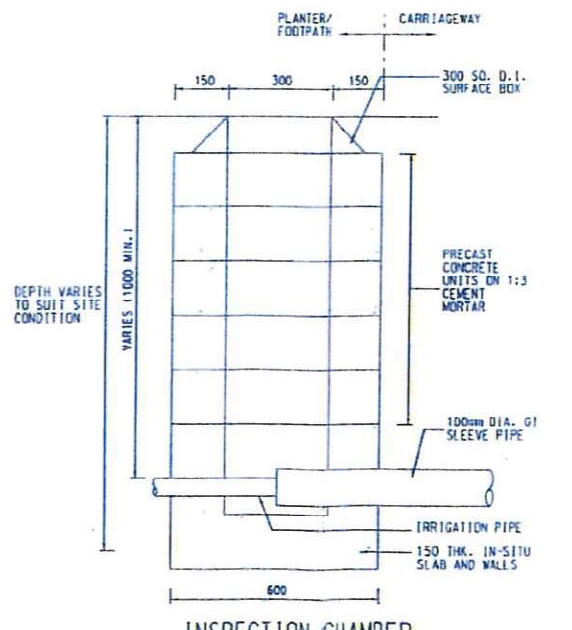
PLAN OF WATER POINT  
SCALE 1:20



SECTION C  
SCALE 1:20



WATER POINT DETAILS  
SCALE 1:20



INSPECTION CHAMBER  
SECTION A  
SCALE 1:20

- NOTES :
1. ALL DIMENSIONS ARE IN MILLIMETRES.
  2. FOR DETAILS OF 300 SO. D.I. SURFACE BOX REFER TO WSD STANDARD DRAWING NO. WSD 7.47C.
  3. FOR DETAILS OF PRECAST CONCRETE UNITS REFER TO DRAWING NO. WSD 1.7E.
  4. GRADE OF CONCRETE SHALL BE 30/200 UNLESS OTHERWISE SPECIFIED.
  5. EXACT LOCATION OF WATER POINT TO BE DETERMINED ON SITE.
  6. GRADE OF STAINLESS STEEL SHALL BE 304 UNLESS OTHERWISE SPECIFIED.

Rev.	Date	Description	Drawn	Prepared	Checked
B	24/10/11	GENERAL REVISIONS			
A	14/12/18	FOR CONSTRUCTION	SY	HYN	NC
-	18/10/18	FOR CONSTRUCTION	SY	HYN	NC

**AECOM**

CENTRAL - WAN CHAI BYPASS AND IEC LINK  
CENTRAL - WAN CHAI BYPASS  
CENTRAL INTERCHANGE

TITLE:  
IRRIGATION WATER SUPPLY DETAILS

SKETCH NO. 60095653/C1/SK1142B SCALE AS SHOWN

**Annex C**  
**Record Photos**

# General View of Planters







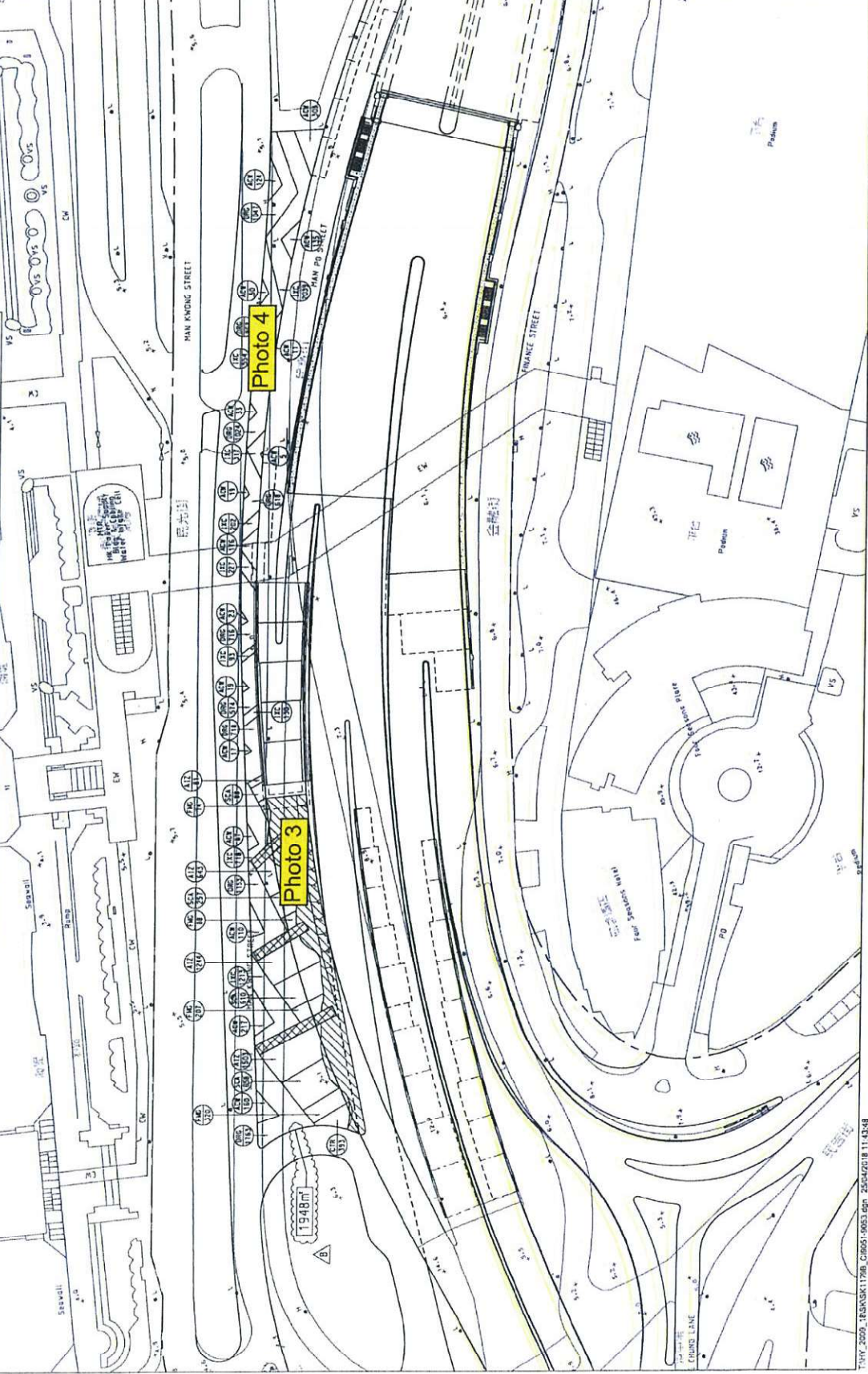
# PLANTING SCHEDULE

CODE	BOTANICAL NAME	CHINESE NAME	SPECIFICATION (mm) HEIGHT(H) X SPREAD	SPACING (mm)	QUANTITY	COMMENT
<b>SHRUB PLANTING</b>						
ACW	ACALYPHA WILKESIANA 'TRICOLOR'	五彩大葉紅桑	500(H) X 500(S)	400	1489	PLANT ALL SPECIES IN A STAGGERED PATTERN
AIZ	ALPINIA ZERUMBET 'VARIGATA'	花葉山薑	400(H) X 400(S)	300	3471	
CTR	CORDYLINE TERMINALIS 'RUBRA'	朱蕉	500(H) X 400(S)	300	393	
DRG	DURANTA REPENS 'GOLDEN'	金蓮燭	400(H) X 400(S)	300	8456	
FMC	FIGUS MICROCARPA 'GOLDEN LEAF'	黃榕	500(H) X 500(S)	400	689	
IXC	LXODRA COCCINEA 'LUTEA'	黃花鳳凰花	400(H) X 400(S)	300	5493	
SCA	SCHIEFFELERA ARBORESCENS 'VARIGATA'	花葉人蔴	500(H) X 500(S)	400	1613	

**NOTE:**  
1. THIS DRAWING SHALL BE USED IN CONJUNCTION WITH THE SPECIFICATIONS AND CONDITIONS OF CONTRACT.

**LEGEND:**

- SITE BOUNDARY
- LANDSCAPE FEATURE AND LIGHTING DETAILS REFER TO SPECIFICATIONS AND CONDITIONS OF CONTRACT
- STONE FACING FINISHING
- SHRUB CODE
- QUANTITY



**REVISIONS:**

NO.	DATE	DESCRIPTION	BY	CHECKED	SCALE
B		FOR RECORD ONLY	KTH	CYC	NC
A		FOR RECORD ONLY	KTH	CYC	NC
-		FOR CONSTRUCTION	KTH	CYC	NC

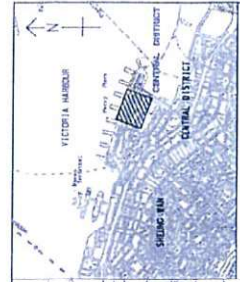
**AECOM**

CENTRAL - WAN CHAI BYPASS AND IEC LINK  
CENTRAL - WAN CHAI BYPASS  
CENTRAL INTERCHANGE

TITLE: SHRUB PLANTING PLAN AT PLANTER B ALONG MAN KWONG STREET

SKETCH NO.: 60095653/CI/SK111798



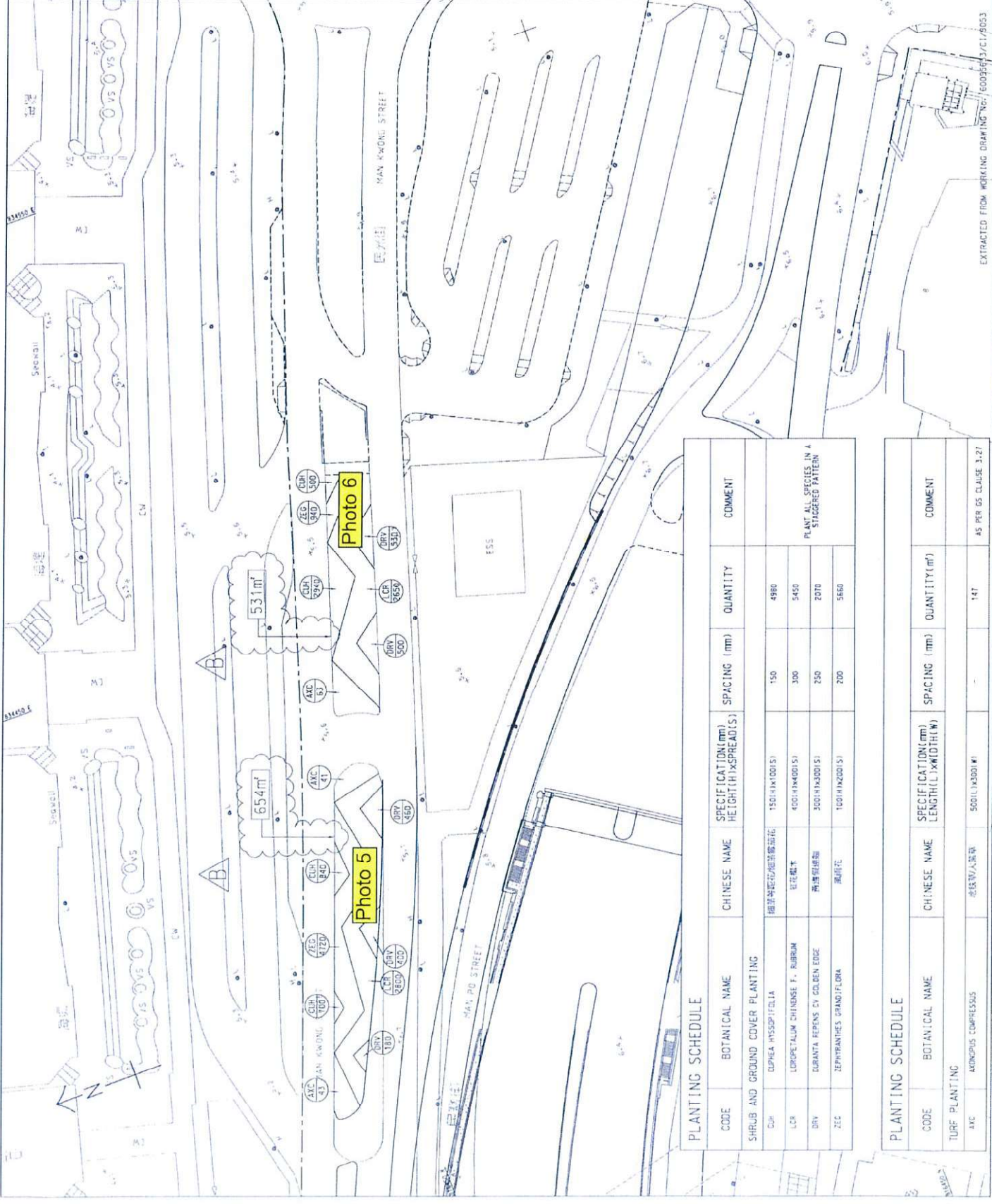


KEY PLAN

NOTE:  
1. FOR NOTES AND LEGEND SEE DRG. NO. 60095653/CI/90051.

LEGEND:

- CUR - SHRUB CODE  
500 - QUANTITY
- AXC - TURF CODE  
43 - QUANTITY



PLANTING SCHEDULE

CODE	BOTANICAL NAME	CHINESE NAME	SPECIFICATION (mm) HEIGHT (H) x SPREAD (S)	SPACING (mm)	QUANTITY	COMMENT
SHRUB AND GROUND COVER PLANTING						
CUR	DUPREA HYSSOPIFOLIA	鋪地草 假地柏 地骨草	150(H) x 100(S)	150	4880	PLANT ALL SPECIES IN A STAGGERED PATTERN
LCR	LIDIPETALUM CHINENSE F. RUBRUM	紅花地丁	400(H) x 400(S)	300	5450	
DRV	DURANTA REPENS CV. GOLDEN EDGE	黃邊假地柏	300(H) x 300(S)	250	2070	
ZEG	ZEPHYRANTHES GRANDIFLORA	鳳尾花	100(H) x 200(S)	200	5660	

PLANTING SCHEDULE

CODE	BOTANICAL NAME	CHINESE NAME	SPECIFICATION (mm) LENGTH (L) x WIDTH (W)	SPACING (mm)	QUANTITY (m²)	COMMENT
TURF PLANTING						
AXC	AKOBIOPSIS COMPRESSUS	老撾野人草	500(L) x 300(W)	-	147	45 PER GS CLAUSE 3.1.2

B	BOOKS FOR RECORD ONLY	MYH	CVC	NC
A	BOOKS FOR CONSTRUCTION	CLL	MYR	NC
M	BOOKS FOR CONSTRUCTION	CLL	MYR	NC
REV	DATE	BY (Project Engineer)		



CENTRAL - WAN CHAI BYPASS AND IEC LINK  
CENTRAL INTERCHANGE  
TITLE: SHRUBS PLANTING PLAN AT  
MAN KWONG STREET PLANTERS  
SKETCH NO: 60095653/CI/90053

EXTRACTED FROM WORKING DRAWING NO. 60095653/CI/90053





23/04/2018

Photo 1







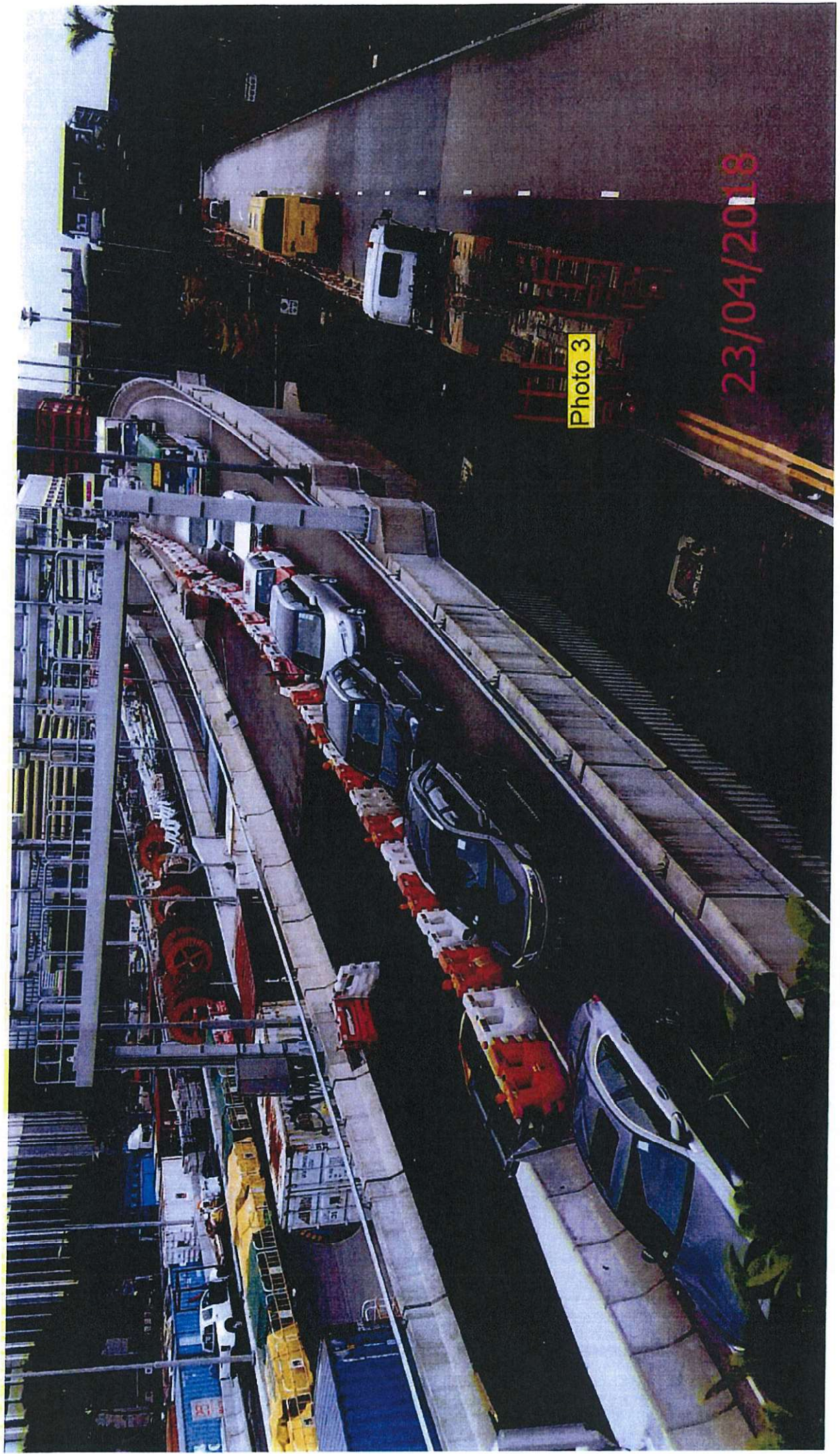


Photo 3

23/04/2018



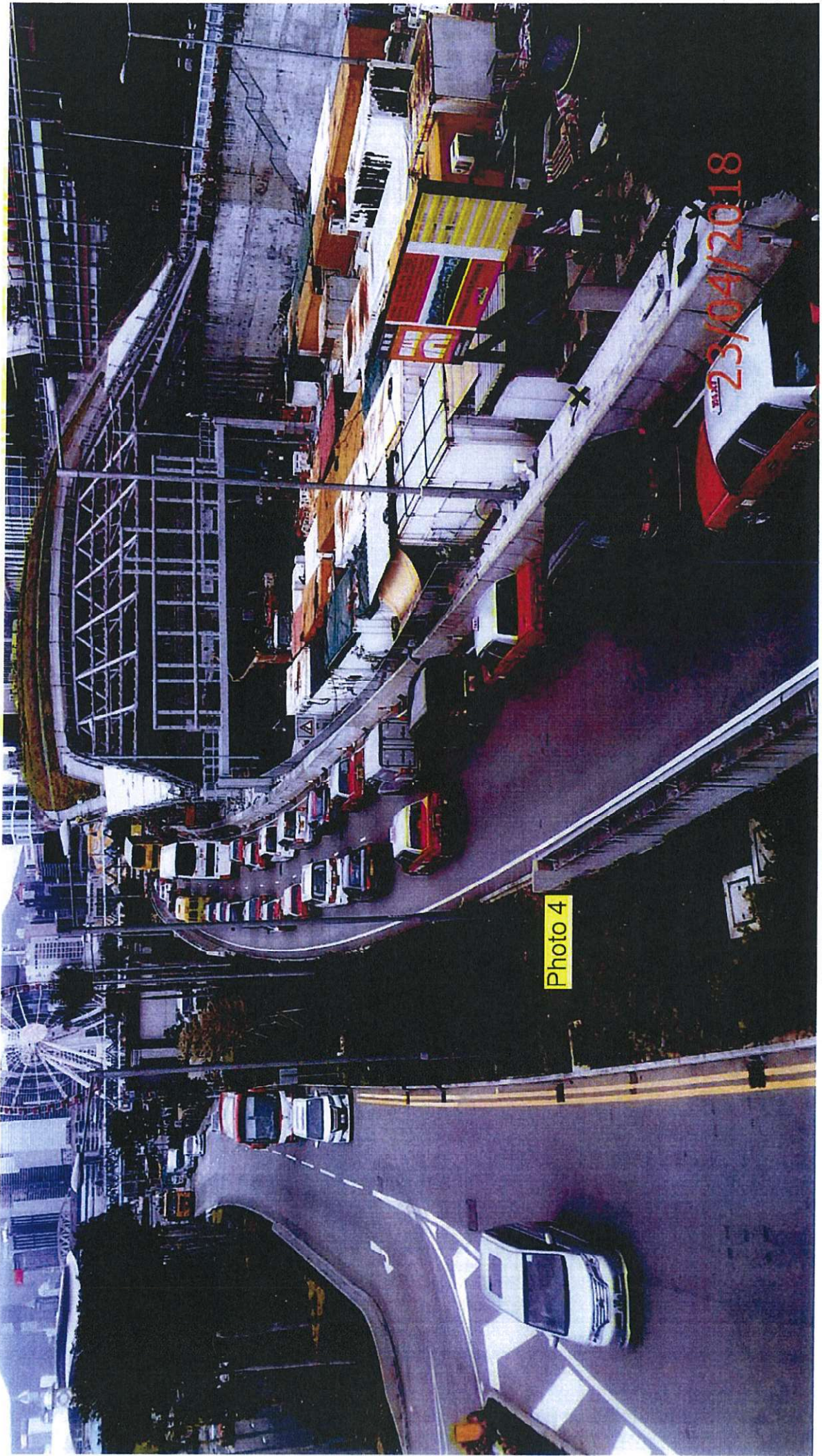


Photo 4

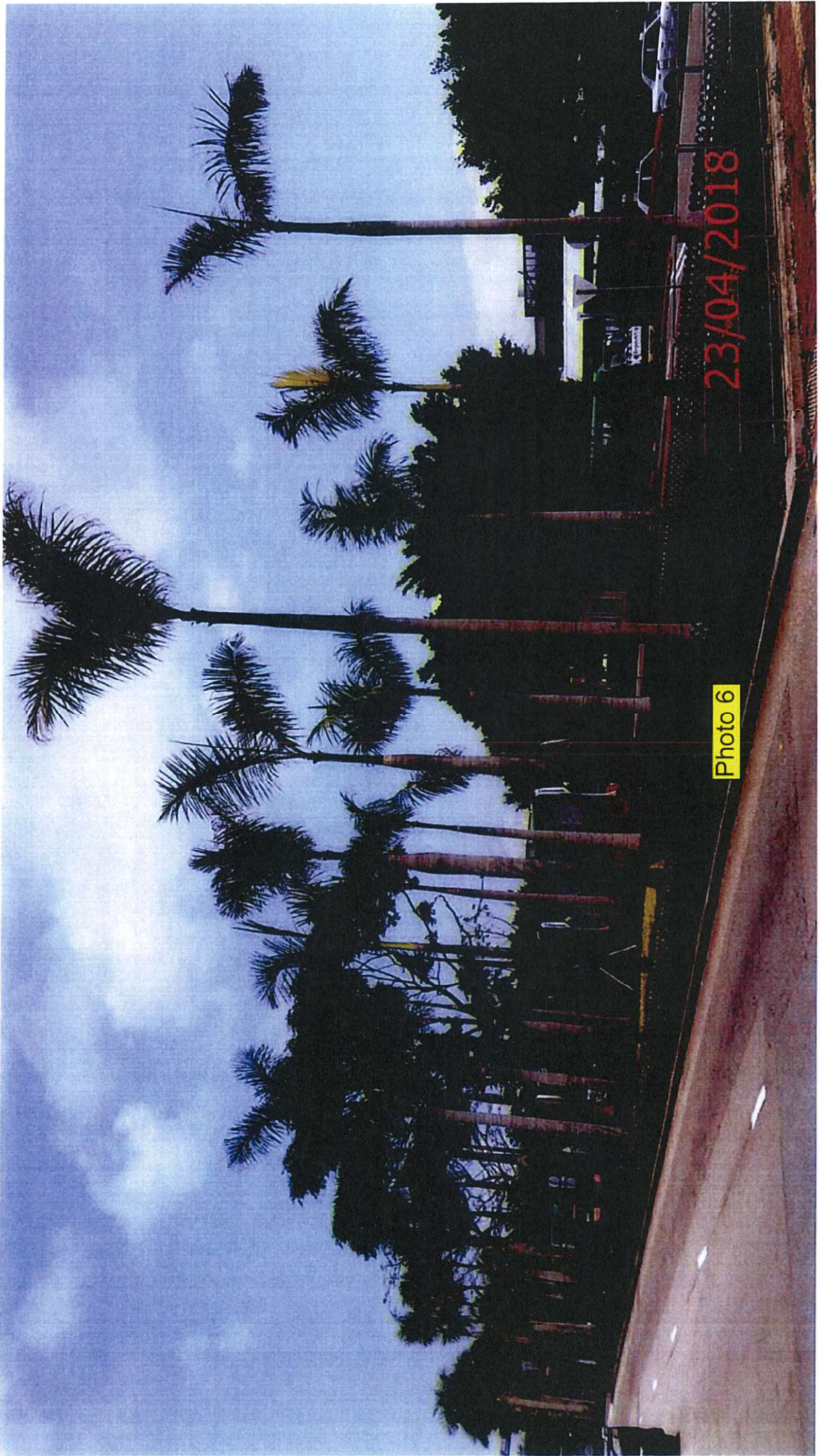




Photo 5

23/04/2018



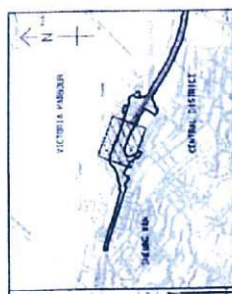


23/04/2018

Photo 6

# **Functional Check of Irrigation System**



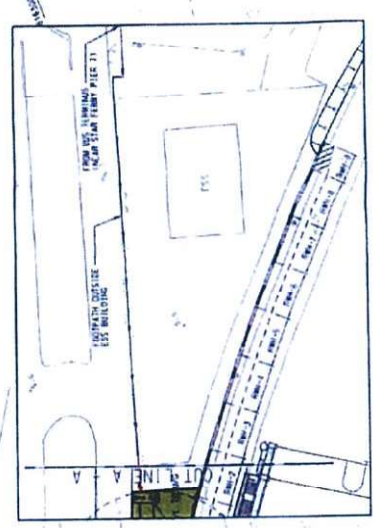


**NOTES:**

1. WATER PIPES AND WATER MAINS SHALL BE SPECIFIED AS 250mm Ø PE100 PVC AND SHALL BE INSTALLED IN 400mm DEEP TRENCH WITH 100mm OF GRANULAR BED BELOW AND 100mm OF GRANULAR BED ABOVE.
2. WATER PIPES AND WATER MAINS SHALL BE INSTALLED WITH 100mm OF GRANULAR BED BELOW AND 100mm OF GRANULAR BED ABOVE.
3. ALL CONNECTIONS SHALL BE PROVIDED FOR ALL FITTINGS.
4. ALL NEW CONNECTIONS SHALL BE PROVIDED FOR ALL FITTINGS.
5. ALL NEW CONNECTIONS SHALL BE PROVIDED FOR ALL FITTINGS.
6. ALL NEW CONNECTIONS SHALL BE PROVIDED FOR ALL FITTINGS.

**LEGEND:**

- NEW WATER MAIN
- EXISTING WATER MAIN
- NEW WATER MAIN (PE100 PVC)
- NEW WATER MAIN (DUPLEX)
- NEW TRENCH
- NEW STOP VALVE
- EXISTING TRENCH
- EXISTING WATER MAIN
- EXISTING WATER MAIN (DUPLEX)
- NEW WATER MAIN



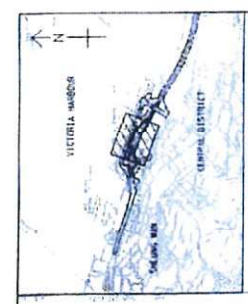
NO.	DATE	REVISIONS	BY	CHK.
C		GENERAL REVISIONS	ENR	AS
B		GENERAL REVISIONS	ST	WH
A		GENERAL REVISIONS - AS CLOSED	ST	WH
-		PROPOSED FOR APPROVAL	PL	CH

**AECOM**

**CENTRAL - WATER MAIN BYPASS AND IIC LINK**  
CENTRAL - WATER MAIN BYPASS  
CENTRAL WATER TRENCHAGE

**TITLE:** IN PLAN (FOR APPROVAL FOR WATER POINT)  
DATE: 10/11/2010 11:53 AM

**SKETCH NO:** 60035653/C1/551033C



**KEY PLAN**  
SCALE: 1:10,000

**NOTES:**  
1. THIS DRAWING TO BE USED IN CONJUNCTION WITH THE PRELIMINARY REPORT.  
2. ALL NOTES AND LEGENDS. PLEASE REFER TO ENR. NO. 60095653/CI/SK1065B.

NO.	REVISION	DATE	BY	CHKD
1	ISSUED FOR INFORMATION	27/07/09	YH	NC
2	ISSUED FOR INFORMATION	27/07/09	YH	NC

**AECOM**

**CENTRAL - MAIN CANAL BYPASS AND IFC LINK**  
CENTRAL - MAIN CANAL BYPASS  
CENTRAL INTERCHANGE

**TITLE:**  
LAYOUT PLAN FOR IRRIGATION SYSTEM  
AT MAIN CANAL STREET

**PROJECT NO.:** 60095653/CI/SK1065B  
**SHEET NO.:** 1/1



EXTRACTED FROM WORKING DRAWING NO. 60095653/CI/17403 - 1/100  
60095653/CI/SK1065B



Photo A

7-6

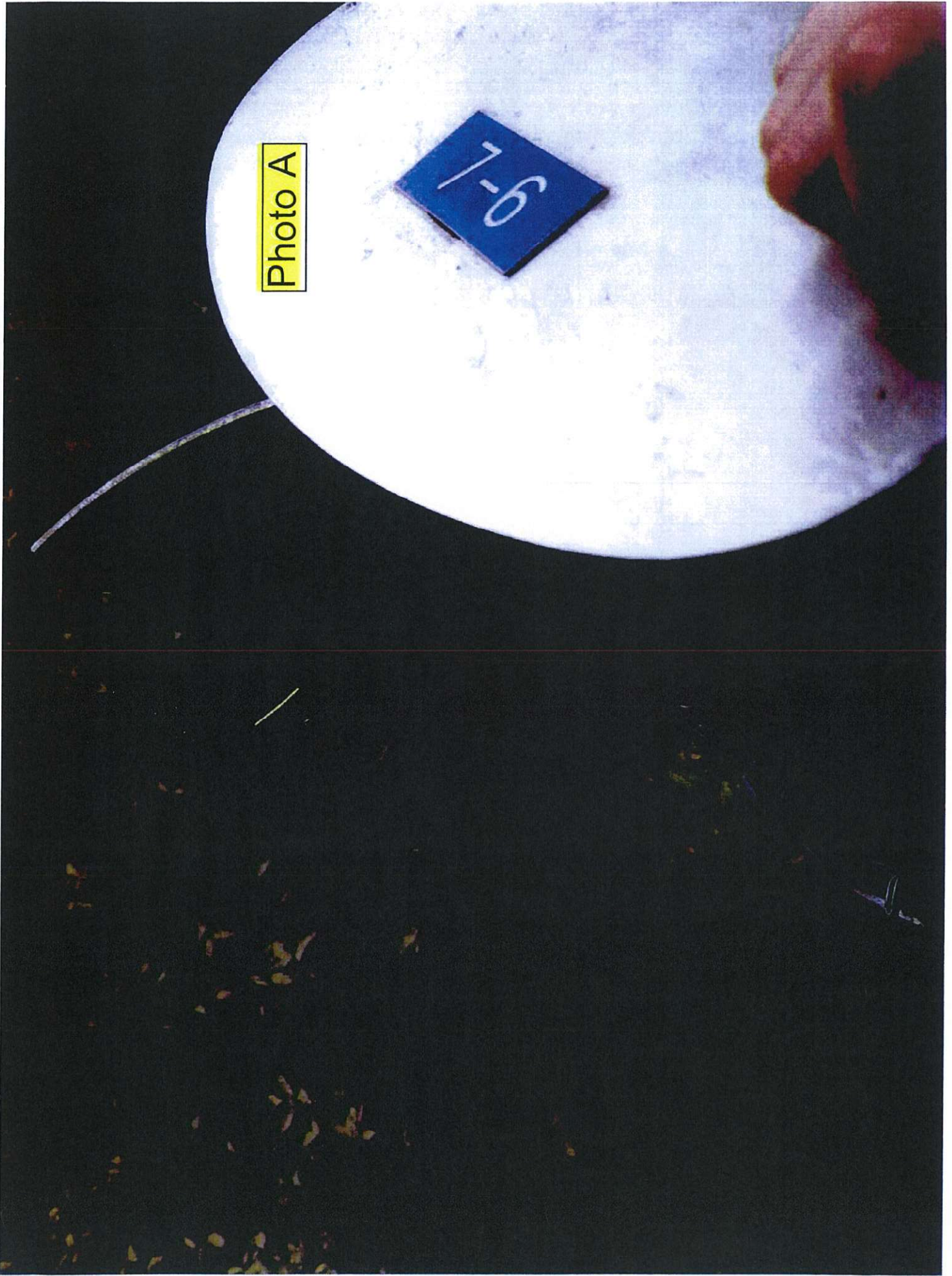
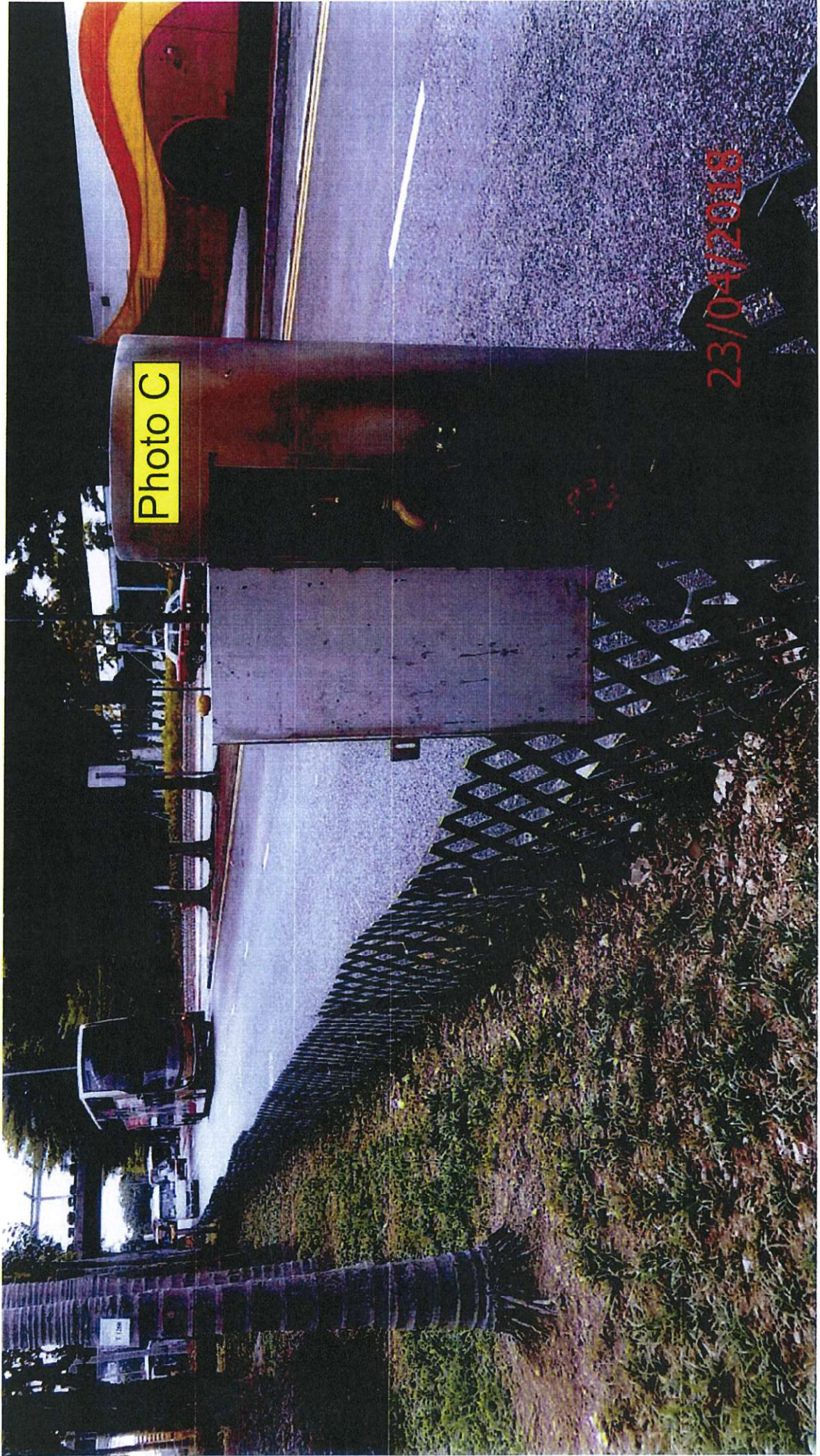






Photo B







# Photos of Water Meter





Water Meter installed at  
Planter B (Near ESS)

**Annex D**

**Tree Risk Assessment Form 1**

**Report 2018**



# Contractor's Submission Form

Ref: H2540/CSF/OPR/03367-R0

Date: -4 APR 2018



18A021032

-4 APR 2018

Leighton Contractors  
(Asia) Limited

39/F Sun Hung Kai Centre  
30 Harbour Road, Hong Kong

t: +852 2823 1111  
f: +852 2529 8784

Contract: HY/2009/18 – Central-Wan Chai Bypass - Central Interchange

To: Engineer's Representative, The Chief Resident Engineer Mr. David Kwan

Title of Submission: Tree Risk Assessment Form 1 Report 2018 (Group 3)

Specification:

We are pleased to submit the following for your review and comment

Description:

Reference is made to Variation Order No. V/155 under letter ref. CWB/(HY/2009/18)/C55/800/18B011734 dated 02 January 2018, we submit herewith the Tree Risk Assessment Form 1 Report (Group 3) for your record.

Purpose of Submission:

FOR APPROVAL

FOR RECORD OR INFORMATION

Contractor's Representative

Signature:

A handwritten signature in blue ink, appearing to be "Jimmy Chu".

Name: Jimmy Chu

Position: Project Manager

Date: 27 March 2018

Distribution: JC / JAC Handwritten initials "JAC" in blue ink.

Prepared by: WJL

Tree Management Information System (TMIS) 樹木管理資訊系統  
Tree Risk Assessment Form 1: Tree Group Inspection  
樹木風險評估表格 1: 樹群檢查

Note:  
This assessment is for trees within the boundary of the site.  
This assessment is for trees within the boundary of the site.

General Information 基本資料

Dept / Agency 局/處: Hyd Inspection Officer 查核人員: Mr NG Sze Yuen, Jason Post 職銜: [CA ISA Cert No. HK-1229A]  
 File Ref. 檔案編號: C2241/18/IGD0523 Endorsement Officer 核實人員: Mr HO Tat Pui, Daniel Post 職銜: [CA ISA Cert No. HK-0704A]  
 Date of Inspection 檢查日期: 02/02/2019 Last Inspection Date 上次檢查日期: 10/01/2017  
 Agency Project / Job Contract No. 局/處項目/合約編號: HY2009/18  
 Inspection Frequency 檢查頻率: 12 months 12月

Location Information 位置資料

Master Zone Departmental Ref. 主區編號: Central  
 Sub Zone Departmental Ref. 副區編號: Central - Group 3  
 English Location 英文地址: Man Kwong Street  
 Chinese Location 中文地址: 民光街  
 Tree Risk Management Zone 樹木風險管理控制類別:  category I 第一類  category II 第二類  category III 第三類  
 Nearby Utility Post No. 附近公用設施編號:  
 Location Types 地點類別 (multiple answers allowed 可選多於一項):  
 Roadside Landscaped Area 路邊綠化地區  Central District 中環區  Tree Park 樹木公園  Village/Estates 村莊/屋苑  
 Public Park Recreational Venue 公園 康樂場地  Un-Registered Government Land 未經冊記政府土地  
 Remote Countryside 偏遠郊區  Recreation of Site Located inside Country Park 郊野公園內康樂用途設施  
 Vacant Government Land 政府閒置土地  SIMAR Slopes 系統註冊斜坡修養的斜坡  
 Other (please specify) 其他 (請說明)

Tree Information 樹木基本資料

The size of a tree group should be defined by location types, such as public park, SIMAR slopes, tree pits, etc. with due consideration given to the limitations of visual tree assessment.  
 在界定樹群的大小時，應參照地點類別，如公園、系統註冊斜坡、樹池等，並考慮到目視樹木評估的局限。

Main tree species in the group (DBH > 95 mm) and minority tree species of significant size (i.e. approx. DBH > 300 mm) 本樹群的主要樹種(樹徑 > 95 毫米)及少數樹種(樹徑 > 300 毫米)	App. No of Trees 約樹木數目	Height (m) From 樹高 (米) 下	Height (m) To 樹高 (米) 上	Overall Health Condition 整體健康狀況	Overall Structural Condition 整體結構狀況
(Please delete the "blank" rows before save 保存前，請刪除"空白"行)	79	4.0	15.0	Fair 一般	Fair 一般
Roystonea regia 大王椰子(王棕)	4	7.0	9.0	Fair 一般	Fair 一般
Melia azedarach 楝(苦楝)	4	3.0	6.5	Fair 一般	Fair 一般
Archontophoenix alexandrina 魚尾葵	6	6.0	7.0	Fair 一般	Fair 一般
Hibiscus tiliaceus 黃槿	1	8.0	8.0	Fair 一般	Fair 一般
Delonix regia 鳳凰木	4	4.0	8.0	Fair 一般	Fair 一般
Alstonia scholaris 鵝掌楸(黑樹乳)					

Total No. of Trees 樹木總數: 98 No. of rows to be added: 1 Add Row Delete Row

Overall Remarks 整體評語

This assessment recorded 98 nr. existing trees within the boundary. No registered Old and Valuable Tree or protected species was recorded. The general health and form of the trees are fair. Pruning work is recommended to the retained trees No. AT010, AT011, AT012, T1183, T1184, T1185, T1186, T1237, T1251, T1252 and T1253; pest control is recommended to the retained trees No. T1173, T1198 and T1202.

Target 目標

Target (people or property potentially affected by tree/branch failure) 目標 (該樹木倒塌或枝條脫落可能影響的人或財產)

Does target exist? 目標是否存在?  Yes / 是  No / 否  
 Can target be moved? 能否移除目標?  Yes / 是  No / 否  
 Can the use of site be restricted? 可否限制該地的使用?  Yes / 是  No / 否  
 Frequency of use of location 使用地點的頻密程度:  
 Occasional Use 偶爾使用  Intermittent Use 間歇使用  Frequent Use 經常使用  Constant Use 經常使用

Identification of Trees for Remedial Action or Detailed Tree Risk Assessment (Form 2) 識別樹木以採取風險緩減措施或進行詳細樹木風險評估 (表格 2)

Trees falling under the following criteria 樹木類別/符合 樹木類別 樹木類別	Number of trees 樹木數目	Remedial action or detailed tree risk assessment (Form 2) 風險緩減措施或詳細樹木風險評估 (表格 2)	Anticipated Completion Date 預計完成日期	Actual Completion Date 實際完成日期
(1) Old and Valuable Tree (OVT) 古樹名木				



(2) Stonewall tree 石牆樹				
(3) Trees on complaint list with structural or health problems 投訴個案中有結構或健康問題的樹木				
(4) Trees belonging to species with brittle wood structure and having unsatisfactory health or structural conditions with failure potential 屬木質脆弱品種而健康或結構欠佳的而具有倒塌潛力的樹木				
(5) Tree with major defects or health problems 有明显缺陷或健康問題的樹木				
(6) Trees growing in very stressful site conditions with failure potential 生長於非常擠壓環境的樹木並有樹枝或樹幹倒塌風險				
(7) Mature trees 已屆成熟樹齡				

**Summary of Statistic on TRIAGE Trees 分流樹木統計總結**

Black 黑		Red 紅		Yellow 黃	
---------	--	-------	--	----------	--

**Attached information 附夾資料**

(Maximum 10 attachments and total 25MB allowed 最多可容納10個附件並合計不多於25MB)

Site Plan 場地平面圖 (Provide at least 1 site plan 最少提供一個場地平面圖)	Add Site Plan	Delete Site Plan
1 Attach 20180223104357.pdf Description 說明: Tree Location Plan		

Photo Record 樹木照片 (Provide at least 1 photo record 最少提供一個相片紀錄)	Add Photo Record	Delete Photo Record
1 Attach 20180223104744.JPG Description 說明: General View		
2 Attach 20180223104753.JPG Description 說明: General View		
3 Attach 20180223104801.JPG Description 說明: General View		
4 Attach 20180223104809.JPG Description 說明: General View		
5 Attach 20180223104825.JPG Description 說明: General View		
6 Attach 20180223104833.JPG Description 說明: General View		
7 Description 說明:		
8 Description 說明:		
9 Description 說明:		

Other Attachments 其他附件 (Please specific 請註明)	Add Others	Delete Others
1 Subject Title 標題: Description 說明:		

**Note 注意**

Please read in conjunction with TMU's Guidelines on Tree Risk Assessment and Management Arrangement and relevant Technical Circulars promulgated on Development Bureau website www.trees.gov.hk  
請參閱發展局網頁 www.trees.gov.hk 林木風險評估的樹木風險評估安排及營運指引及相關技術通告

**LEGEND**

1. TREE GROUPS TO BE REMOVED

2. TREE GROUPS TO BE PRESERVED

3. TREE GROUPS TO BE PRESERVED (MATURE)

4. TREE GROUPS TO BE PRESERVED (IMMATURE)

5. TREE GROUPS TO BE PRESERVED (SMALL)

6. TREE GROUPS TO BE PRESERVED (VERY SMALL)

7. TREE GROUPS TO BE PRESERVED (MINOR)

8. TREE GROUPS TO BE PRESERVED (MAJOR)

9. TREE GROUPS TO BE PRESERVED (VERY MAJOR)

10. TREE GROUPS TO BE PRESERVED (EXCEPTIONAL)

11. TREE GROUPS TO BE PRESERVED (SUPERB)

12. TREE GROUPS TO BE PRESERVED (MAGNIFICENT)

13. TREE GROUPS TO BE PRESERVED (GREAT)

14. TREE GROUPS TO BE PRESERVED (FINE)

15. TREE GROUPS TO BE PRESERVED (GOOD)

16. TREE GROUPS TO BE PRESERVED (FAIR)

17. TREE GROUPS TO BE PRESERVED (POOR)

18. TREE GROUPS TO BE PRESERVED (VERY POOR)

19. TREE GROUPS TO BE PRESERVED (DANGER)

20. TREE GROUPS TO BE PRESERVED (IMMEDIATE DANGER)

21. TREE GROUPS TO BE PRESERVED (SEVERE DANGER)

22. TREE GROUPS TO BE PRESERVED (EXTREME DANGER)

23. TREE GROUPS TO BE PRESERVED (CRITICAL DANGER)

24. TREE GROUPS TO BE PRESERVED (IMMEDIATE REMOVAL)

25. TREE GROUPS TO BE PRESERVED (REMOVAL REQUIRED)

26. TREE GROUPS TO BE PRESERVED (REMOVAL ADVISED)

27. TREE GROUPS TO BE PRESERVED (REMOVAL CONSIDERED)

28. TREE GROUPS TO BE PRESERVED (REMOVAL NOT RECOMMENDED)

29. TREE GROUPS TO BE PRESERVED (REMOVAL NOT ADVISED)

30. TREE GROUPS TO BE PRESERVED (REMOVAL NOT CONSIDERED)

31. TREE GROUPS TO BE PRESERVED (REMOVAL NOT RECOMMENDED)

32. TREE GROUPS TO BE PRESERVED (REMOVAL NOT ADVISED)

33. TREE GROUPS TO BE PRESERVED (REMOVAL NOT CONSIDERED)

34. TREE GROUPS TO BE PRESERVED (REMOVAL NOT RECOMMENDED)

35. TREE GROUPS TO BE PRESERVED (REMOVAL NOT ADVISED)

36. TREE GROUPS TO BE PRESERVED (REMOVAL NOT CONSIDERED)

37. TREE GROUPS TO BE PRESERVED (REMOVAL NOT RECOMMENDED)

38. TREE GROUPS TO BE PRESERVED (REMOVAL NOT ADVISED)

39. TREE GROUPS TO BE PRESERVED (REMOVAL NOT CONSIDERED)

40. TREE GROUPS TO BE PRESERVED (REMOVAL NOT RECOMMENDED)

41. TREE GROUPS TO BE PRESERVED (REMOVAL NOT ADVISED)

42. TREE GROUPS TO BE PRESERVED (REMOVAL NOT CONSIDERED)

43. TREE GROUPS TO BE PRESERVED (REMOVAL NOT RECOMMENDED)

44. TREE GROUPS TO BE PRESERVED (REMOVAL NOT ADVISED)

45. TREE GROUPS TO BE PRESERVED (REMOVAL NOT CONSIDERED)

46. TREE GROUPS TO BE PRESERVED (REMOVAL NOT RECOMMENDED)

47. TREE GROUPS TO BE PRESERVED (REMOVAL NOT ADVISED)

48. TREE GROUPS TO BE PRESERVED (REMOVAL NOT CONSIDERED)

49. TREE GROUPS TO BE PRESERVED (REMOVAL NOT RECOMMENDED)

50. TREE GROUPS TO BE PRESERVED (REMOVAL NOT ADVISED)

51. TREE GROUPS TO BE PRESERVED (REMOVAL NOT CONSIDERED)

52. TREE GROUPS TO BE PRESERVED (REMOVAL NOT RECOMMENDED)

53. TREE GROUPS TO BE PRESERVED (REMOVAL NOT ADVISED)

54. TREE GROUPS TO BE PRESERVED (REMOVAL NOT CONSIDERED)

55. TREE GROUPS TO BE PRESERVED (REMOVAL NOT RECOMMENDED)

56. TREE GROUPS TO BE PRESERVED (REMOVAL NOT ADVISED)

57. TREE GROUPS TO BE PRESERVED (REMOVAL NOT CONSIDERED)

58. TREE GROUPS TO BE PRESERVED (REMOVAL NOT RECOMMENDED)

59. TREE GROUPS TO BE PRESERVED (REMOVAL NOT ADVISED)

60. TREE GROUPS TO BE PRESERVED (REMOVAL NOT CONSIDERED)

61. TREE GROUPS TO BE PRESERVED (REMOVAL NOT RECOMMENDED)

62. TREE GROUPS TO BE PRESERVED (REMOVAL NOT ADVISED)

63. TREE GROUPS TO BE PRESERVED (REMOVAL NOT CONSIDERED)

64. TREE GROUPS TO BE PRESERVED (REMOVAL NOT RECOMMENDED)

65. TREE GROUPS TO BE PRESERVED (REMOVAL NOT ADVISED)

66. TREE GROUPS TO BE PRESERVED (REMOVAL NOT CONSIDERED)

67. TREE GROUPS TO BE PRESERVED (REMOVAL NOT RECOMMENDED)

68. TREE GROUPS TO BE PRESERVED (REMOVAL NOT ADVISED)

69. TREE GROUPS TO BE PRESERVED (REMOVAL NOT CONSIDERED)

70. TREE GROUPS TO BE PRESERVED (REMOVAL NOT RECOMMENDED)

71. TREE GROUPS TO BE PRESERVED (REMOVAL NOT ADVISED)

72. TREE GROUPS TO BE PRESERVED (REMOVAL NOT CONSIDERED)

73. TREE GROUPS TO BE PRESERVED (REMOVAL NOT RECOMMENDED)

74. TREE GROUPS TO BE PRESERVED (REMOVAL NOT ADVISED)

75. TREE GROUPS TO BE PRESERVED (REMOVAL NOT CONSIDERED)

76. TREE GROUPS TO BE PRESERVED (REMOVAL NOT RECOMMENDED)

77. TREE GROUPS TO BE PRESERVED (REMOVAL NOT ADVISED)

78. TREE GROUPS TO BE PRESERVED (REMOVAL NOT CONSIDERED)

79. TREE GROUPS TO BE PRESERVED (REMOVAL NOT RECOMMENDED)

80. TREE GROUPS TO BE PRESERVED (REMOVAL NOT ADVISED)

81. TREE GROUPS TO BE PRESERVED (REMOVAL NOT CONSIDERED)

82. TREE GROUPS TO BE PRESERVED (REMOVAL NOT RECOMMENDED)

83. TREE GROUPS TO BE PRESERVED (REMOVAL NOT ADVISED)

84. TREE GROUPS TO BE PRESERVED (REMOVAL NOT CONSIDERED)

85. TREE GROUPS TO BE PRESERVED (REMOVAL NOT RECOMMENDED)

86. TREE GROUPS TO BE PRESERVED (REMOVAL NOT ADVISED)

87. TREE GROUPS TO BE PRESERVED (REMOVAL NOT CONSIDERED)

88. TREE GROUPS TO BE PRESERVED (REMOVAL NOT RECOMMENDED)

89. TREE GROUPS TO BE PRESERVED (REMOVAL NOT ADVISED)

90. TREE GROUPS TO BE PRESERVED (REMOVAL NOT CONSIDERED)

91. TREE GROUPS TO BE PRESERVED (REMOVAL NOT RECOMMENDED)

92. TREE GROUPS TO BE PRESERVED (REMOVAL NOT ADVISED)

93. TREE GROUPS TO BE PRESERVED (REMOVAL NOT CONSIDERED)

94. TREE GROUPS TO BE PRESERVED (REMOVAL NOT RECOMMENDED)

95. TREE GROUPS TO BE PRESERVED (REMOVAL NOT ADVISED)

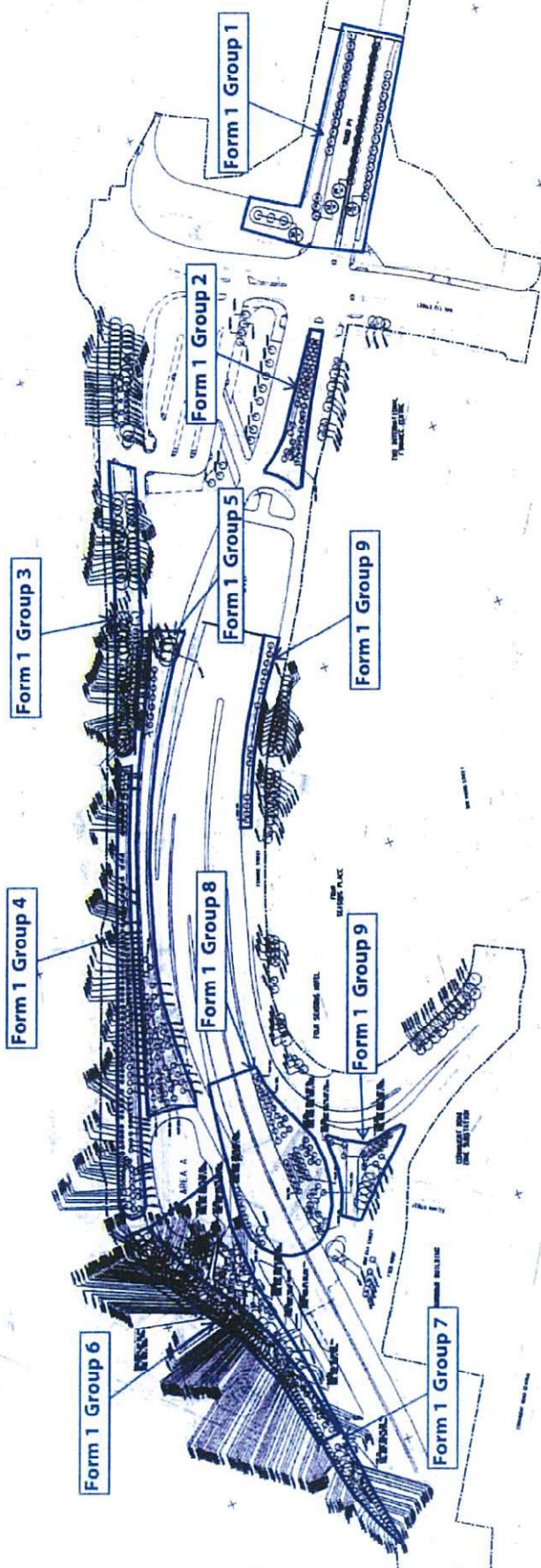
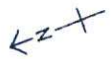
96. TREE GROUPS TO BE PRESERVED (REMOVAL NOT CONSIDERED)

97. TREE GROUPS TO BE PRESERVED (REMOVAL NOT RECOMMENDED)

98. TREE GROUPS TO BE PRESERVED (REMOVAL NOT ADVISED)

99. TREE GROUPS TO BE PRESERVED (REMOVAL NOT CONSIDERED)

100. TREE GROUPS TO BE PRESERVED (REMOVAL NOT RECOMMENDED)



Tree Location Plan

EXTRACTED FROM WORKING DRAWING NOS. 4005653/CI/9011, 9012, 9013



Contract No.: HY/2009/18  
Central - Wan Chai Bypass - Central Interchange

Photo Record of Tree Risk Assessment Form 1 Report - Group 3



Attach\_20180223104744



Attach\_20180223104753



Attach\_20180223104801



Attach\_20180223104809



Attach\_20180223104825



Attach\_20180223104833



# Contractor's Submission Form

Ref: H2540/CSF/OPR/03368-R0

Date: -4 APR 2018



18A021030

-4 APR 2018

Leighton Contractors  
(Asia) Limited

39/F Sun Hung Kai Centre  
30 Harbour Road, Hong Kong

t: +852 2823 1111  
f: +852 2529 8784

Contract: HY/2009/18 – Central-Wan Chai Bypass - Central Interchange

To: Engineer's Representative, The Chief Resident Engineer Mr. David Kwan

Title of Submission: Tree Risk Assessment Form 1 Report 2018 (Group 4)

**Specification:**

We are pleased to submit the following for your review and comment

**Description:**

Reference is made to Variation Order No. V/155 under letter ref. CWB/(HY/2009/18)/C55/800/18B011734 dated 02 January 2018, we submit herewith the Tree Risk Assessment Form 1 Report (Group 4) for your record.

Purpose of Submission:

FOR APPROVAL

FOR RECORD OR INFORMATION

Contractor's Representative

Signature:

Name: Jimmy Chu

Position: Project Manager

Date: 27 March 2018

Distribution: JC / JAC

Prepared by: WL

Tree Management Information System (TMIS) 樹木管理資訊系統  
Tree Risk Assessment Form 1: Tree Group Inspection  
樹木風險評估表格 1: 樹組檢查

File  
http://www.td.gov.hk/...  
...  
Please Save this Worksheet to a File

General Information 基本資料

Dept. / Agency 部門:	HyD	Inspection Officer 巡查人員:	Mr NG Sze Yuen Jason	Post No.:	C.A. ISA Cert No. HK 12197
File Ref. 檔案編號:	C2241/18/TGD0523	Endorsement Officer 核准人員:	Mr HO Tat Po Daniel	Post No.:	C.A. ISA Cert No. HK 0764
Date of Inspection 巡查日期:	02/02/2018	Last Inspection Date 上次巡查日期:	17/01/2017		
Agency / Project / Contract No. 巡查處 / 工程 / 合約編號:	HY/2009/18				
Inspection Frequency 巡查週期:	12 months (年)				

Location Information 位置資料

Master Zone Departmental Ref. 主區編號:	Central				
Sub Zone Departmental Ref. 副區編號:	Central - Group 4				
English Location 英文地址:	Man Kwong Street				
Chinese Location 中文地址:	民權街				
Tree Risk Management Zone 樹木風險管理地帶類別:	<input checked="" type="checkbox"/> category I 第一類 <input type="checkbox"/> category II 第二類 <input type="checkbox"/> category III 第三類				
Nearby Utility Post No. 附近公用設施編號:					
Location Types 地點類別:	<input type="checkbox"/> Roadside Landscaped Area 路邊綠化地區 <input checked="" type="checkbox"/> Central Divider 中央分隔帶 <input type="checkbox"/> Tree Pit 樹穴 <input type="checkbox"/> Village Entrance 鄉村入口 <input type="checkbox"/> Public Park Recreation Venue 公園 康樂場地 <input type="checkbox"/> Unbuilt and Government Land 未建用的政府土地 <input type="checkbox"/> Remote Countryside 偏遠郊區 <input type="checkbox"/> Recreational Site Facilities inside Country Park 郊野公園內康樂用地設施 <input type="checkbox"/> Vacant Government Land 政府空置土地 <input type="checkbox"/> SIMAR Slopes 斜坡 (綠化斜坡) 綠化斜坡 <input type="checkbox"/> Others (please specify) 其他 (請說明)				

Tree Information 樹木基本資料

The size of a tree group should be defined by location types, such as public park, SIMAR slopes, tree pits, etc. with due consideration given to the limitations of visual tree assessment.  
樹木組別的大小應由地點類別, 如公園、斜坡(綠化)、樹穴等的條件而定, 以樹木的視察限制為考慮。

Main tree species in the group (DBH ≥ 95 mm) and minority tree species of significant size (i.e. approx. DBH ≥ 300 mm) 在樹木組內的主要樹種 (樹徑 ≥ 95 mm) 及少數的樹種 (樹徑 ≥ 300 mm)	App. No. of Trees 大約的樹木數目	Height (m) From 樹高 (米) 由	Height (m) To 樹高 (米) 至	Overall Health Condition 整體健康狀況	Overall Structural Condition 整體結構狀況
(Please delete the "blank" rows before save 保存之前, 刪除 "空白" 行)					
Roystonea regia 大王椰子 (亞欖)	124	5.0	16.0	Fair 良	Fair 良
Archontophoenix alexandrae (魚尾葵)	1	7.0	7.0	Fair 良	Fair 良
Cratogeomys unilocularis 樹頭菜(魚木)	1	5.0	5.0	Fair 良	Fair 良
Hibiscus bilaceus 芙蓉	5	8.0	9.0	Fair 良	Fair 良
Livistona chinensis 蒲葵	2	2.0	2.0	Fair 良	Fair 良
Astelia scholaris 樹頭菜(亞欖)	3	7.0	7.0	Fair 良	Fair 良

Total No. of Trees 樹木總數: 136    No. of rows to be added: 1    Add Row    Delete Row

Overall Remarks 整體評語

This assessment recorded 136 nr. existing trees within the boundary. No registered Old and Valuable Tree or protected species was recorded. The general health and form of the trees are fair. Pruning work and pest control is recommended to following trees, retained trees: T1382 and T1383; transplanted trees: T1224, T1275, T1690, T1721, T1723, T1726 and T1836.

Target 目標

Target (people or property potentially affected by tree/branch failure) 目標 (可能受到樹木/樹枝倒塌而受影響的人或財產)

Does target exist? 目標物是否存在?     Yes / 是     No / 否

Can target be moved? 可否移除目標物?     Yes / 是     No / 否

Can the use of site be restricted? 可否限制場地的使用?     Yes / 是     No / 否

Frequency of use of location (使用場地的頻密程度):  
 Occasional Use 偶爾使用   
  Intermittent Use 間歇使用   
  Frequent Use 頻密使用   
  Constant Use 經常使用

Identification of Trees for Remedial Action or Detailed Tree Risk Assessment (Form 2) 識別樹木以採取風險管理或進行詳細樹木風險評估 (表格 2)

Trees falling under the following criteria 符合下列條件的樹木	Number of trees 樹木數目	Remedial action or detailed tree risk assessment (Form 2) 採取的風險管理或詳細樹木風險評估 (表格 2)	Anticipated Completion Date 預計完成日期	Actual Completion Date 完成日期
(1) Old and Valuable Tree (OVT) 古樹名木				



(2) Stonewall tree 石牆樹				
(3) Trees on complaint list with structural or health problems 投訴個案中有結構或健康問題的樹木				
(4) Trees belonging to species with brittle wood structure and having unsatisfactory health or structural conditions with failure potential 屬木質脆弱品種而健康或結構欠佳的而具倒塌風險的樹木				
(5) Tree with major defects or health problems 有明顯缺陷或健康問題的樹木				
(6) Trees growing in very stressful site conditions with failure potential 生長於非常擠壓環境的樹木並有樹枝或樹幹倒塌風險				
(7) Mature trees 已呈成熟樹齡				

Summary of Statistic on TRIAGE Trees 分流樹木統計總結

Black 黑		Red 紅		Yellow 黃	
---------	--	-------	--	----------	--

Attached Information 附水資料

(Maximum 10 attachments and total 25MB allowed 最多可容納10個附件並合計不多於25MB)

Site Plan 場地平面圖 (Provide at least 1 site plan 最少提供一個場地平面圖)	Add Site Plan	Delete Site Plan
1 Attach_20180223112020.pdf Description 說明: Tree Location Plan		

Photo Record 樹木照片 (Provide at least 1 photo record 最少提供一個相片紀錄)	Add Photo Record	Delete Photo Record
1 Attach_20180223112039.JPG Description 說明: General View		
2 Attach_20180223112045.JPG Description 說明: General View		
3 Attach_20180223112052.JPG Description 說明: General View		
4 Attach_20180223112059.JPG Description 說明: General View		
5 Description 說明:		
6 Description 說明:		
7 Description 說明:		
8 Description 說明:		
9 Description 說明:		

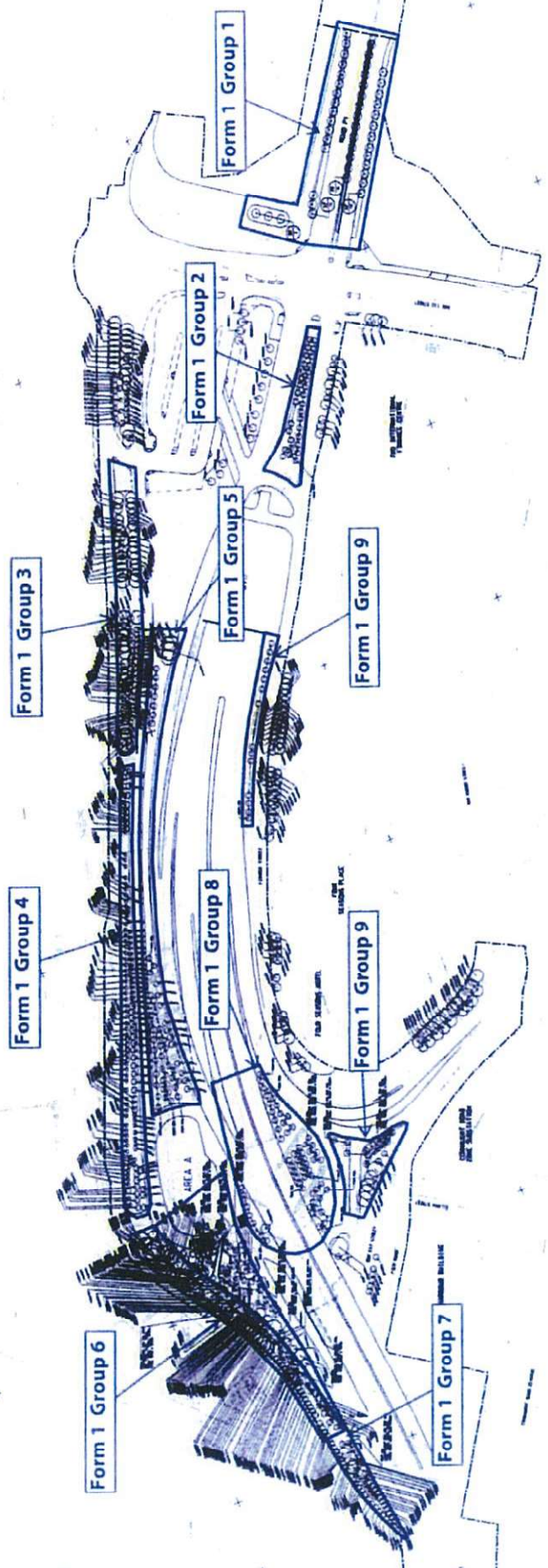
Other Attachments 其他附件 (Please specific 請註明)	Add Others	Delete Others
1 Subject Title 標題: Description 說明:		

Note 注意

Please read in conjunction with TMO's Guidelines on Tree Risk Assessment and Management Arrangement and relevant Technical Circulars promulgated on Development Bureau website www.trees.gov.hk  
請參閱發展局網頁 www.trees.gov.hk 就樹木管理與維護的樹木風險評估安排及管理指引及相關技術通告



SYMBOL	DESCRIPTION
(Symbol)	1.0' PLANTING
(Symbol)	2.0' PLANTING
(Symbol)	3.0' PLANTING
(Symbol)	4.0' PLANTING
(Symbol)	5.0' PLANTING
(Symbol)	6.0' PLANTING
(Symbol)	7.0' PLANTING
(Symbol)	8.0' PLANTING
(Symbol)	9.0' PLANTING
(Symbol)	10.0' PLANTING
(Symbol)	11.0' PLANTING
(Symbol)	12.0' PLANTING
(Symbol)	13.0' PLANTING
(Symbol)	14.0' PLANTING
(Symbol)	15.0' PLANTING
(Symbol)	16.0' PLANTING
(Symbol)	17.0' PLANTING
(Symbol)	18.0' PLANTING
(Symbol)	19.0' PLANTING
(Symbol)	20.0' PLANTING
(Symbol)	21.0' PLANTING
(Symbol)	22.0' PLANTING
(Symbol)	23.0' PLANTING
(Symbol)	24.0' PLANTING
(Symbol)	25.0' PLANTING
(Symbol)	26.0' PLANTING
(Symbol)	27.0' PLANTING
(Symbol)	28.0' PLANTING
(Symbol)	29.0' PLANTING
(Symbol)	30.0' PLANTING
(Symbol)	31.0' PLANTING
(Symbol)	32.0' PLANTING
(Symbol)	33.0' PLANTING
(Symbol)	34.0' PLANTING
(Symbol)	35.0' PLANTING
(Symbol)	36.0' PLANTING
(Symbol)	37.0' PLANTING
(Symbol)	38.0' PLANTING
(Symbol)	39.0' PLANTING
(Symbol)	40.0' PLANTING
(Symbol)	41.0' PLANTING
(Symbol)	42.0' PLANTING
(Symbol)	43.0' PLANTING
(Symbol)	44.0' PLANTING
(Symbol)	45.0' PLANTING
(Symbol)	46.0' PLANTING
(Symbol)	47.0' PLANTING
(Symbol)	48.0' PLANTING
(Symbol)	49.0' PLANTING
(Symbol)	50.0' PLANTING
(Symbol)	51.0' PLANTING
(Symbol)	52.0' PLANTING
(Symbol)	53.0' PLANTING
(Symbol)	54.0' PLANTING
(Symbol)	55.0' PLANTING
(Symbol)	56.0' PLANTING
(Symbol)	57.0' PLANTING
(Symbol)	58.0' PLANTING
(Symbol)	59.0' PLANTING
(Symbol)	60.0' PLANTING
(Symbol)	61.0' PLANTING
(Symbol)	62.0' PLANTING
(Symbol)	63.0' PLANTING
(Symbol)	64.0' PLANTING
(Symbol)	65.0' PLANTING
(Symbol)	66.0' PLANTING
(Symbol)	67.0' PLANTING
(Symbol)	68.0' PLANTING
(Symbol)	69.0' PLANTING
(Symbol)	70.0' PLANTING
(Symbol)	71.0' PLANTING
(Symbol)	72.0' PLANTING
(Symbol)	73.0' PLANTING
(Symbol)	74.0' PLANTING
(Symbol)	75.0' PLANTING
(Symbol)	76.0' PLANTING
(Symbol)	77.0' PLANTING
(Symbol)	78.0' PLANTING
(Symbol)	79.0' PLANTING
(Symbol)	80.0' PLANTING
(Symbol)	81.0' PLANTING
(Symbol)	82.0' PLANTING
(Symbol)	83.0' PLANTING
(Symbol)	84.0' PLANTING
(Symbol)	85.0' PLANTING
(Symbol)	86.0' PLANTING
(Symbol)	87.0' PLANTING
(Symbol)	88.0' PLANTING
(Symbol)	89.0' PLANTING
(Symbol)	90.0' PLANTING
(Symbol)	91.0' PLANTING
(Symbol)	92.0' PLANTING
(Symbol)	93.0' PLANTING
(Symbol)	94.0' PLANTING
(Symbol)	95.0' PLANTING
(Symbol)	96.0' PLANTING
(Symbol)	97.0' PLANTING
(Symbol)	98.0' PLANTING
(Symbol)	99.0' PLANTING
(Symbol)	100.0' PLANTING



Tree Location Plan

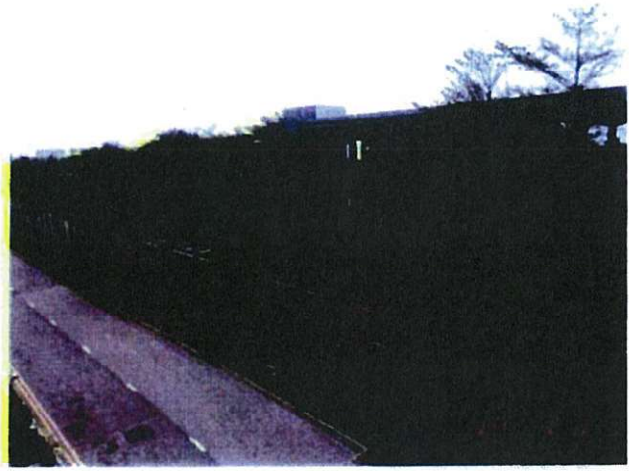
EXTRACTED FROM WORKING DRAWING NO. 4005853/CI/2011-9012-9011

Contract No.: HY/2009/18  
Central - Wan Chai Bypass - Central Interchange

Photo Record of Tree Risk Assessment Form 1 Report - Group 4



Attach\_20180223112039



Attach\_20180223112045



Attach\_20180223112052



Attach\_20180223112059

# Contractor's Submission Form



Leighton Contractors  
(Asia) Limited

39/F Sun Hung Kai Centre  
30 Harbour Road, Hong Kong

t: +852 2823 1111  
f: +852 2529 8784

Ref: H2540/CSF/OPR/03369-R0

Date: - 4 APR 2018

Contract: HY/2009/18 – Central-Wan Chai Bypass - Central Interchange

To: Engineer's Representative, The Chief Resident Engineer Mr. David Kwan

Title of Submission: Tree Risk Assessment Form 1 Report 2018 (Group 5)

Specification:

We are pleased to submit the following for your review and comment

Description:

Reference is made to Variation Order No. V/155 under letter ref. CWB/(HY/2009/18)/C55/800/18B011734 dated 02 January 2018, we submit herewith the Tree Risk Assessment Form 1 Report (Group 5) for your record.

Purpose of Submission:

FOR APPROVAL

FOR RECORD OR INFORMATION

Contractor's Representative

Signature:

Name: Jimmy Chu

Position: Project Manager

Date: 27 March 2018

Distribution: JC / JAC

Prepared by: W/L



Tree Management Information System (TMIS) 樹木管理資訊系統  
Tree Risk Assessment Form 1: Tree Group Inspection  
樹木風險評估表格 1: 樹群檢查

Date: \_\_\_\_\_  
Printed on: \_\_\_\_\_  
Printed by: \_\_\_\_\_

General Information 基本資料

Dept / Agency 機構	RyD	Inspector Officer 巡查人員	Mr. NG See Yuen, Jase	Post 職位	C.A. ISA Cert No. HK-1129A
File Ref 檔案編號	C2741/18/IGD0523	Enforcement Officer 巡查人員	Mr. HO Tat Fai, Daniel	Post 職位	C.A. ISA Cert No. HK-07617
Date of Inspection 巡查日期	02/02/2018	Last Inspection Date 上次巡查日期	17/01/2017		
Agency / Project / Contract No. 合約編號	HY2009/18				
Inspection Frequency 巡查週期	12 months 12個月				

Location Information 位置資料

Master Zone Departmental Ref. 主區編號	Central
Sub Zone Departmental Ref. 副區編號	Central - Group 5
English Location 英文地點	Man Kwong Street and Man Po Street
Chinese Location 中文地點	環翠閣/環翠街
Tree Risk Management Zone 樹木風險管理地帶類別	<input checked="" type="checkbox"/> category I 第一類 <input type="checkbox"/> category II 第二類 <input type="checkbox"/> category III 第三類
Nearby Utility Post No. 鄰近公用設施編號	
Location Types 地點類別	<input checked="" type="checkbox"/> Roadside Landscaped Area 路旁綠化地帶 <input type="checkbox"/> Public Park/Recreation Venue 公園/康樂場地 <input type="checkbox"/> Remote Country-side Road 偏遠鄉村道路 <input type="checkbox"/> Vacant Government Land 空置政府土地 <input type="checkbox"/> Others (please specify) 其他 (請說明)
	<input type="checkbox"/> Central District 中央區 <input type="checkbox"/> Undeveloped Government Land 未發展政府土地 <input type="checkbox"/> Recreational Site/Facilities inside Country Park 郊野公園內康樂設施 <input type="checkbox"/> SIMAR Slopes 系統性斜坡管理責任的斜坡
	<input type="checkbox"/> Village Enclave 鄉村範圍

Tree Information 樹木基本資料

The size of a tree group should be defined by location types, such as public park, SIMAR slopes, tree pits, etc. with due consideration given to the limitations of visual tree assessment.  
在決定樹群的大小時，應按地點類別，如公園、系統性斜坡管理責任的斜坡、樹格等，並考慮目視評估的局限。

Main tree species in the group (DBH ≥ 95 mm) and minority tree species of significant size (i.e. approx. DBH ≥ 300 mm) 樹群的主要樹種 (DBH ≥ 95 mm) 及少數樹種的少數樹種 (約 300 mm)	App. No of Trees 約樹木數量	Height (m) From 樹高 (米)	Height (m) To 樹高 (米)	Overall Health Condition 樹木健康狀況	Overall Structural Condition 樹木結構狀況
(Please delete the "blank" rows before save. 保存前請刪除空白行)					
Roystonea regia 大王椰子 (出境)	5	8.0	10.0	Fair 一般	Fair 一般
Melaleuca cajuputi subsp. cumingiana 白千層	3	5.0	8.0	Fair 一般	Fair 一般
Ficus altissima 大果榕 (出境)	11	8.0	8.0	Fair 一般	Fair 一般
Tabebuia chrysantha (syn. Tabebuia chrysothrix) 黃連木 (出境)	11	5.0	6.0	Fair 一般	Fair 一般
Terminalia mantaly Tricolour 錦葵椴	32	5.0	6.5	Fair 一般	Fair 一般

Total No. of Trees 樹木總數	62	No. of rows to be added	1	Add Row	Delete Row
-------------------------	----	-------------------------	---	---------	------------

Overall Remarks 整體評語

This assessment recorded 62 nr. existing trees within the boundary. No registered Old and Valuable Tree or protected species was recorded. The general health and form of the trees are fair. Pruning work is recommended to following tree: retained trees T1472, T1473, T1471, T1475 and T1476, transplanted trees T1445 to T1455.

3 nos. of Melaleuca cajuputi subsp. cumingiana to be maintained by LCSD Tree Team.

Target 目標

Target (people or property potentially affected by tree/branch failure) 目標 (可能受樹木或樹枝倒塌影響的人或財產)

Does target exist? 目標物是否存在?  Yes / 是  No / 否

Can target be moved? 能否移動目標物?  Yes / 是  No / 否

Can the use of site be restricted? 可否限制場地的使用?  Yes / 是  No / 否

Frequency of use of location 使用地點的頻密程度:

Occasional Use 偶爾使用  Intermittent Use 間歇使用  Frequent Use 頻密使用  Constant Use 經常使用

Identification of Trees for Remedial Action or Detailed Tree Risk Assessment (Form 2) 識別樹木以採取風險減低措施或進行詳細樹木風險評估 (表格 2)

Trees falling under the following criteria 符合下列標準的樹木	Number of trees 樹木數量	Remedial action or detailed tree risk assessment (Form 2) 採取風險減低措施或進行詳細樹木風險評估 (表格 2)	Anticipated Completion Date 預計完成日期	Actual Completion Date 實際完成日期
(1) Old and Valuable Tree (OVT) 古樹與名木				



(2) Stonewall tree 石牆樹				
(3) Trees on complaint list with structural or health problems 投訴個案中具結構或健康問題之樹木				
(4) Trees belonging to species with brittle wood structure and having unsatisfactory health or structural conditions with failure potential 屬木質脆弱品種而健康或結構欠佳之而具倒塌風險之樹木				
(5) Tree with major defects or health problems 有明顯缺陷或健康問題之樹木				
(6) Trees growing in very stressful site conditions with failure potential 生長於非常擠壓環境之樹木並有樹枝或樹幹倒塌風險				
(7) Mature trees 已屆成熟樹齡				

**Summary of Statistic on TRIAGE Trees 分級樹木統計總結**

Black 黑		Red 紅		Yellow 黃	
---------	--	-------	--	----------	--

**Attached Information 附加資料**

(Maximum 10 attachments and total 25MB allowed 最多可容納10個附件並合計不多於25MB)

Site Plan 場地平面圖 (Provide at least 1 site plan 最少提供一個場地平面圖)	Add Site Plan	Delete Site Plan
1 Attach_20180223115211.pdf Description 說明: Tree Location Plan		

Photo Record 樹木照片 (Provide at least 1 photo record 最少提供一個相片紀錄)	Add Photo Record	Delete Photo Record
1 Attach_20180223115851.JPG Description 說明: General View		
2 Attach_20180223115858.JPG Description 說明: General View		
3 Attach_20180223115905.JPG Description 說明: General View		
4 Attach_20180223115912.JPG Description 說明: General View		
5 Attach_20180223120001.JPG Description 說明: General View		
6 Attach_20180223120008.JPG Description 說明: General View		
7 Description 說明:		
8 Description 說明:		
9 Description 說明:		

Other Attachments 其他附件 (Please specific 請註明)	Add Others	Delete Others
1 Subject Title 標題: Description 說明:		

**Note 注意**

Please read in conjunction with TMU's Guidelines on Tree Risk Assessment and Management Arrangement and relevant Technical Circulars promulgated on Development Bureau website www.trees.gov.hk  
請參閱發展局網頁 www.trees.gov.hk 有關樹木風險評估及管理指引及相關技術通告

**LEGEND**

**EXISTING**

**PROPOSED**

**FORM 1 GROUP 1**

**FORM 1 GROUP 2**

**FORM 1 GROUP 3**

**FORM 1 GROUP 4**

**FORM 1 GROUP 5**

**FORM 1 GROUP 6**

**FORM 1 GROUP 7**

**FORM 1 GROUP 8**

**FORM 1 GROUP 9**

**FORM 1 GROUP 10**

**FORM 1 GROUP 11**

**FORM 1 GROUP 12**

**FORM 1 GROUP 13**

**FORM 1 GROUP 14**

**FORM 1 GROUP 15**

**FORM 1 GROUP 16**

**FORM 1 GROUP 17**

**FORM 1 GROUP 18**

**FORM 1 GROUP 19**

**FORM 1 GROUP 20**

**FORM 1 GROUP 21**

**FORM 1 GROUP 22**

**FORM 1 GROUP 23**

**FORM 1 GROUP 24**

**FORM 1 GROUP 25**

**FORM 1 GROUP 26**

**FORM 1 GROUP 27**

**FORM 1 GROUP 28**

**FORM 1 GROUP 29**

**FORM 1 GROUP 30**

**FORM 1 GROUP 31**

**FORM 1 GROUP 32**

**FORM 1 GROUP 33**

**FORM 1 GROUP 34**

**FORM 1 GROUP 35**

**FORM 1 GROUP 36**

**FORM 1 GROUP 37**

**FORM 1 GROUP 38**

**FORM 1 GROUP 39**

**FORM 1 GROUP 40**

**FORM 1 GROUP 41**

**FORM 1 GROUP 42**

**FORM 1 GROUP 43**

**FORM 1 GROUP 44**

**FORM 1 GROUP 45**

**FORM 1 GROUP 46**

**FORM 1 GROUP 47**

**FORM 1 GROUP 48**

**FORM 1 GROUP 49**

**FORM 1 GROUP 50**

**FORM 1 GROUP 51**

**FORM 1 GROUP 52**

**FORM 1 GROUP 53**

**FORM 1 GROUP 54**

**FORM 1 GROUP 55**

**FORM 1 GROUP 56**

**FORM 1 GROUP 57**

**FORM 1 GROUP 58**

**FORM 1 GROUP 59**

**FORM 1 GROUP 60**

**FORM 1 GROUP 61**

**FORM 1 GROUP 62**

**FORM 1 GROUP 63**

**FORM 1 GROUP 64**

**FORM 1 GROUP 65**

**FORM 1 GROUP 66**

**FORM 1 GROUP 67**

**FORM 1 GROUP 68**

**FORM 1 GROUP 69**

**FORM 1 GROUP 70**

**FORM 1 GROUP 71**

**FORM 1 GROUP 72**

**FORM 1 GROUP 73**

**FORM 1 GROUP 74**

**FORM 1 GROUP 75**

**FORM 1 GROUP 76**

**FORM 1 GROUP 77**

**FORM 1 GROUP 78**

**FORM 1 GROUP 79**

**FORM 1 GROUP 80**

**FORM 1 GROUP 81**

**FORM 1 GROUP 82**

**FORM 1 GROUP 83**

**FORM 1 GROUP 84**

**FORM 1 GROUP 85**

**FORM 1 GROUP 86**

**FORM 1 GROUP 87**

**FORM 1 GROUP 88**

**FORM 1 GROUP 89**

**FORM 1 GROUP 90**

**FORM 1 GROUP 91**

**FORM 1 GROUP 92**

**FORM 1 GROUP 93**

**FORM 1 GROUP 94**

**FORM 1 GROUP 95**

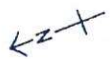
**FORM 1 GROUP 96**

**FORM 1 GROUP 97**

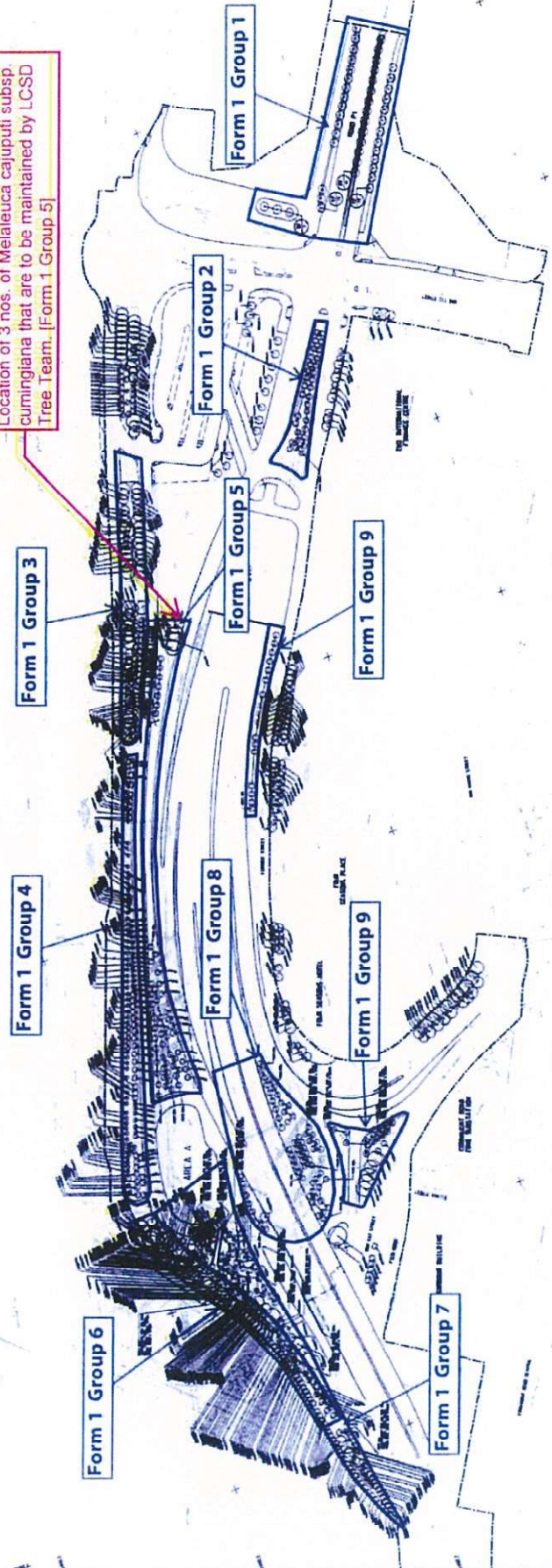
**FORM 1 GROUP 98**

**FORM 1 GROUP 99**

**FORM 1 GROUP 100**



Location of 3 nos. of Melaleuca cajuputi subsp. cumingiana that are to be maintained by LCSD Tree Team. [Form 1 Group 5]





Contract No.: HY/2009/18  
Central - Wan Chai Bypass - Central Interchange

Photo Record of Tree Risk Assessment Form 1 Report - Group 5



Attach\_20180223115851



Attach\_20180223115858



Attach\_20180223115905



Attach\_20180223115912



Attach\_20180223120001



Attach\_20180223120008



AECOM  
 8/F, Grand Central Plaza, Tower 2,  
 138 Shatin Rural Committee Road,  
 Shatin, Hong Kong  
 香港新界沙田鄉事會路 138 號  
 新城市中央廣場第 2 座 8 樓  
 www.aecom.com

Engineer's Representative's Office  
 Room 1401-06, 14/F., Eastern Centre,  
 1065 King's Road, Quarry Bay, H.K.  
 香港鰂魚涌英皇道 1065 號  
 東達中心 14 樓 1401-06 室  
 +852 3650 1600 tel  
 +852 3665 0106 fax

Your Ref. : -  
 Our Ref. : CWB/(HY/2009/18)/C55/500/18B011836



18B011836

4 July 2018

Leisure and Cultural Services Department  
 Leisure Services Branch  
 Leisure Services Branch - Division 2  
 Leisure Management/Hong Kong West  
 Hong Kong West Tree Team  
 4/F., Sun Yat Sen Memorial Park Sports Centre,  
 18 Eastern Street North,  
 Sai Ying Pun,  
 Hong Kong.

Attn.: Ms. Chow Ka Wai, Samantha

Dear Madam,

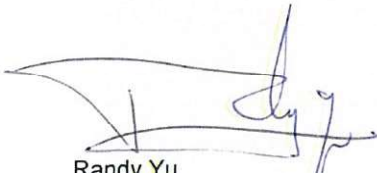
**Contract No. HY/2009/18**  
**Central-Wan Chai Bypass – Central Interchange**

**Handover of Tree Nos. T3005, T3007 and T3010 located at Man Kwong Street**

----- Further to the expiry of the period for the Establishment Works of the captioned three nos. of trees (as shown on the enclosed Sketch No. 60095653/CI/SK1169A) on 3 July 2018, I note that your department is satisfied with the condition of the trees and has no objection to taking over the horticultural maintenance thereof with effect from 4 July 2018.

Should you have any queries, please free feel to contact my RE, Mr. Nelson Chin at 6461 8784.

Yours faithfully,  
 For and on behalf of  
 AECOM Asia Co. Ltd.



Randy Yu  
 Senior Resident Engineer

Encl.			
c.c.	CE3/MW, HyD	- Attn : Mr. W.K. Lo	] – w/encl.
	File	- M15/920	] – w/encl.
e.c.	AECOM	Attn.: Mr. Alex Li / Ms. Ivy Chung	
	RSS	PP, DK, YN, SCL	
Response required	:	Yes / No	

RY/NC/AWHC/CFC/al



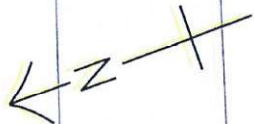
PLANTING SCHEDULE TREE PLANTING

BOTANICAL NAME	CHINESE NAME	QUANTITY	REMARK
MELALEUCA LEUCADENDRON	6-7-#	3	ALL TREES ARE COMPENSATORY TREE

34460 #

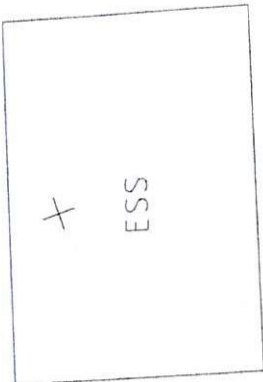
LEGEND:

- SITE BOUNDARY
- ⊙ (1300511) FINAL LOCATION OF TRANSPLANTED TREE



MAN KWONG STREET

MAN PO STREET



1300511  
1300711  
1301011

+5.3

5.5

+6.5

STREET

NO.	DATE	DESCRIPTION	DRAWN	PREPARED	CHECKED
1		FOR RECORD	YTH	YTH	YTH
2		FOR CONSTRUCTION	SY	CMC	NC



CENTRAL - WAN CHAI BYPASS AND IEC LINK  
CENTRAL - WAN CHAI BYPASS  
CENTRAL INTERCHANGE

TITLE:  
TREE PLANTING PLAN FOR T3005, T3007 AND T3010  
NEXT TO EXISTING ESS AT MAN PO STREET

SKETCH NO. 60095653/CI/SK1169A SCALE 1:400(1:4)





AECOM  
 8/F, Grand Central Plaza, Tower 2,  
 138 Shatin Rural Committee Road,  
 Shatin, Hong Kong  
 香港新界沙田鄉事會路 138 號  
 新城市中央廣場第 2 座 8 樓  
 www.aecom.com

Engineer's Representative's Office  
 Room 1401-06, 14/F., Eastern Centre,  
 1065 King's Road, Quarry Bay, H.K.  
 香港鰂魚涌英皇道 1065 號  
 東達中心 14 樓 1401-06 室  
 +852 3650 1600 tel  
 +852 3665 0106 fax

Your Ref. : -  
 Our Ref. : CWB/(HY/2009/18)/M55/550/18B011735



18B011735

2 January 2018

Refer to Distribution List

Dear Sirs,

**Agreement No. CE5/95  
 Design and Construction of Central – Wan Chai Bypass and Island Eastern Corridor Link  
 Supplementary Agreement No. 3 – Design, Tender and Construction Phases**

**Contract No. HY/2009/18  
 Central-Wan Chai Bypass – Central Interchange**

**Handover of Finance Street Footpath**

Following the completion of the follow-up action on the Tree Nos.TA001, TA002 and T2006 previously regarded as outstanding works upon the handover and opening of Finance Street footpath on 6 November 2017 as recorded in the Notes of the Meeting (enclosed in my letter ref.CWB/(HY/2009/18)/M55/550/18B011715 of 20 November 2017 attached herewith) on the final handover inspection of the Finance Street footpath conducted on 2 November 2017 and as concurred further in the e-mail of 27 November 2017 on the same between Messrs. Dickie Hang (IFC) and Randy Yu (SRE) as per attached, i.e. IFC having been reimbursed by Leighton (C18 Contractor) on 28 December 2017 for the cost of re-planting the above-mentioned three trees, the 11 compensation trees at Finance Street, together with the corresponding establishment works, is deemed to have been taken over by IFC Management Co., Ltd. of even date.

In light of the above, I would take this opportunity to reiterate and record that all the completed civil works (inclusive of the pedestrian pavement lights and tree lights) and the landscaped works at Finance Street footpath were handed back to IFC Management Co., Ltd. on 6 November 2017 and 28 December 2017 respectively; and the associated maintenance/upkeep responsibilities shall be assumed by IFC Management Co., Ltd thereon.

Yours faithfully,  
 For and on behalf of  
 AECOM Asia Co. Ltd.

David Kwan  
 Chief Resident Engineer

Encl.  
 c.c. AECOM - Attn.: Mr. Conrad Ng ] - w/encl.  
 e.c. AECOM - Attn.: Mr. Alex Li / Ms. Ivy Chung  
 RSS - PP, YN  
 Response required : Yes/ No

DK/RY/NC/AW/HC/al



Our Ref. CWB/(HY/2009/18)/M55/550/18B011735

Distribution List

Highways Department  
Major Works Project Management Office  
3/F., Ho Man Tin Government Offices,  
88 Chung Hau Street,  
Ho Man Tin,  
Kowloon,  
Hong Kong.

Attn.: Mr. Chow Chun Pong

International Finance Centre Management Co., Ltd.  
Suite 1710, 17/F., One International Finance Centre,  
1 Harbour View Street,  
Central,  
Hong Kong.

Attn.: Mr. Dickie Hang

Leighton Contractors (Asia) Ltd.  
39/F., Sun Hung Kai Centre,  
30 Harbour Road,  
Hong Kong.

Attn.: Mr. Norman Croker

**AECOM**

AECOM  
8/F, Grand Central Plaza, Tower 2,  
138 Shatin Rural Committee Road,  
Shatin, Hong Kong  
香港新界沙田鄉事會路 138 號  
新城市中央廣場第 2 座 8 樓  
www.aecom.com

Engineer's Representative's Office  
Room 1401-06, 14/F., Eastern Centre,  
1065 King's Road, Quarry Bay, H.K.  
香港鰂魚涌英皇道 1065 號  
東達中心 14 樓 1401-06 室  
+852 3650 1600 tel  
+852 3665 0106 fax

Your Ref. : -  
Our Ref. : CWB/(HY/2009/18)/M55/550/18B011715

20 November 2017



18B011715

Refer to Distribution List

Dear Sirs,

**Agreement No. CE5/95**  
**Design and Construction of Central – Wan Chai Bypass and Island Eastern Corridor Link**  
**Supplementary Agreement No. 3 – Design, Tender and Construction Phases**

**Contract No. HY/2009/18**  
**Central – Wan Chai Bypass – Central Interchange**

**Notes of Meeting for Final Handover Inspection of Finance Street Footpath**

----- I enclose herewith the notes of meeting for final handover inspection of Finance Street footpath being held on 2 November 2017 for your record.

Yours faithfully,  
For and on behalf of  
AECOM Asia Co. Ltd.

David Kwan  
Chief Resident Engineer

Encl.

c.c. File - M15/920 ] – w/encl.

e.c. AECOM - Attn.: Mr. Alex Li / Ms. Ivy Chung  
RSS - PP, YN, AWHC

Response required : Yes / No

DK/RV/NC/STS/al





Our Ref. : CWB/(HY/2009/18)/M55/550/18B011715

Distribution List

Highways Department  
Major Works Project Management Office  
3/F., Ho Man Tin Government Offices,  
88 Chung Hau Street,  
Ho Man Tin,  
Kowloon,  
Hong Kong

Attn.: Mr. Chow Chun Pong

International Finance Centre Management Co., Ltd.  
Suite 1710, 17/F., One International Finance Centre,  
1 Harbour View Street,  
Central,  
Hong Kong

Attn.: Mr. Dickie Hang

Leighton Contractors (Asia) Ltd.  
39/F., Sun Hung Kai Centre,  
30 Harbour Road,  
Hong Kong

Attn.: Mr. Norman Croker



**Notes of Meeting**

**Meeting Date / Time:** 2 November 2017, 3:00 p.m. – 4:30 p.m.

**Venue:** Footpath at Finance Street, Central

**Project:** Contract No. HY/2009/18  
Central-Wan Chai Bypass – Central Interchange

**Subject:** Final Handover Inspection of Finance Street Footpath

**Distribution:** Highways Department, AECOM, International Finance Centre Management Co. Ltd. (IFC), Premium Plus & Leighton Contractors (Asia) Ltd (LCAL).

**Present:**

Mr. W.K. Lo, Engineer	} Highways Department (HyD)
Mr. Randy Yu, SRE	} AECOM (AECOM)
Ms. Yo Yo Ng, SRLA	}
Mr. Nelson Chin, RE	}
Mr. Dickie Hang	} Premier Plus/ IFC
Mr. C.S. Wong	}
Mr. Cyrus Cheung	}
Ms. Yammie Lam	}
Mr. Jackie Chan	} Leighton Contractors (Asia) Ltd. (LCAL)
Miss. Wayne Law	}

NOTES OF MEETING CONTINUATION SHEET		Meeting Date :	2 November 2017
Pre-handover Inspection of Finance Street Footpath with IFC			
ITEM	ITEM DISCUSSED	ACTION	
1.0	<b>General</b>		
1.1	AECOM/RSS stated that the purposed of this meeting was to discuss the handing over of IFC footpath at Finance Street	Noted	
2.0	<b>Outstanding and Defective Items</b>		
2.1	AECOM reported that the outstanding and defective items being identified from the previous pre-handover inspection dated 7 September 2017 were completed and rectified. Premium Plus/IFC agreed that the outstanding and defective items were acceptable.	Noted	
2.2	AECOM suggested to open the Finance Street footpath and subsequent to close Man Yiu Street footpath for carrying out the replacement of floor lights. Premium Plus/ IFC had no comment to the proposal but requested Leighton to clean up the area before opening the Finance Street footpath. It was confirmed that the footpath would be opened to public at 10:00 a.m. on 6 November 2017 and a final joint site inspection would be held before opening.	LCAL	
3.0	<b>Roadside Trees along IFC Footpath at Finance Street</b>		
3.1	Premium Plus/IFC stated that the maintenance of roadside trees along footpath of Finance Street (refer to enclosed Tree Preservation Plan and tree record photos) was generally acceptable except on the condition of Tree Nos. TA001, TA002 and T2006. AECOM explained that these trees were healthy without any signs of damage. The appearance of the trees might not be visually pleasing causing by the sunlight blocking by branches of adjacent trees. Premium Plus/ifc stated that these trees were far from acceptable and requested to replace these three trees with conditions similar to Tree No. 2009. [Post meeting notes: It was agreed in subsequent discussion on 16 November 2017 that LCAL would compensate three trees with condition and standard similar to Tree No. 2009 for IFC planting. IFC would take up the horticultural maintenance of all eleven trees along Finance Street footpath immediately after re-planting of TA001, TA002 and T2006 by IFC's landscape contractor.]	Noted	
3.2	Premium Plus/IFC requested that the lower branches of Tree Nos. T2001, T2002, T2003, T2004 and T2005 should be pruned to maintain sufficient headroom (min. 5.5m) for buses. Premium Plus/IFC also requested that branches of Tree Nos. T2004 and T2005 that were blocking sunlight to adjacent trees to be pruned as well in order to promote sunlight penetration to Tree Nos. TA001 and TA002 (refer to enclosed tree pruning photos).	Noted	
3.3	Due to the bulging of the tree cover from the main roots of Tree No. T2005, Premium Plus/IFC also requested that the main roots of Tree No. T2005 could be pruned such that the tree cover would be adjusted and levelled with footpath. AECOM/RSS stated that they would not carry out root pruning work in view of possibly harming the tree health.	Noted	
3.4	The inspection was adored at 4:30 p.m..		





**LEGEND:**

- SITE BOUNDARY
- T2001 (R)
- T2009
- RETAIN TREE
- COMPULSORY TREE

NO.	DATE	BY	CHK.	SCALE
1	12/01/09	W. CHAI	W. CHAI	1:1000
<b>AECOM</b>				
CENTRAL - WAN CHAI BYPASS AND BE LINK CENTRAL - WAN CHAI BYPASS CENTRAL INTERCHANGE				
TITLE: TREE PRESERVATION PLAN				
EXTRACTED FROM WORKING DRAWING NOS. 60P5653/CI/P012-9013				
SKETCH NO. 60P5653/CI/5K1279				
DRAWN BY: W. CHAI				
CHECKED BY: W. CHAI				
DATE: 12/01/09				

TWO INTERNATIONAL  
FINANCE CENTRE



AECOM  
8/F, Grand Central Plaza, Tower 2,  
138 Shatin Rural Committee Road,  
Shatin, Hong Kong  
香港新界沙田鄉事會路 138 號  
新城市中央廣場第 2 座 8 樓  
www.aecom.com

Engineer's Representative's Office  
Room 1401-06, 14/F., Eastern Centre,  
1065 King's Road, Quarry Bay, H.K.  
香港鰂魚涌英皇道 1065 號  
東達中心 14 樓 1401-06 室  
+852 3650 1600 tel  
+852 3665 0106 fax

Your Ref. : -  
Our Ref. : CWB/(HY/2009/18)/C55/500/18B011825



18B011825

- 6 JUN 2018

4 June 2018

Leisure and Cultural Services Department  
Leisure Services Branch  
Leisure Services Branch - Division 2  
Leisure Management/Hong Kong West  
Central and Western District Leisure Service Office  
Room 1001, 10/F., Sheung Wan Municipal Services Building,  
345 Queen's Road Central,  
Hong Kong.

Attn.: Mr. Lo Ying Hung, Michael

Dear Sir,

**Contract No. HY/2009/18**  
**Central-Wan Chai Bypass – Central Interchange**

**Handover of Planters at Portion VI of the Site**

I refer to the recent joint inspections amongst Mr. Michael Lo and his team (LCSD), Mr. Michael Cheng and Mr. Cheung Cheuk Wai (AECOM) and Miss Wayne Law (LCAL) of the planters within Portion VI of the Site prior to handover thereof as shown in the enclosed planting layout plans (**Annex A**).

I note that your department is satisfied with the condition of the plants thereat and the associated irrigation system and has no objection to taking over the horticultural maintenance thereof with effect from 28 April 2018 inclusive.

Moreover, I enclose herewith the drawings of irrigation system for these planters (**Annex B**), photos taken during the final handover inspection (**Annex C**) and also the Tree Risk Assessment Form 1 Report 2018 (**Annex D**) for your record.

I would also record that the plants at Kong Chung Lane planter and Planter C, albeit acceptable to your department, are not ready for handover as they are still within the construction site of Contract No. HY/2011/08 and your maintenance contractor working there will not be duly covered by the insurance. Under such circumstances, it is mutually consented that these planters would be maintained continuously by the contractor of Central-Wan Chai Bypass Project (Contract No. HY/2011/08) until these planters are accessible via public roads. The planting layout plans and the record photos of these planters taken during the inspections is enclosed for your record (**Annex E**).

Should you have any queries, please free feel to contact my RE, Mr. Nelson Chin at 6461 8784.

.../P.2

**AECOM**

P.2

Your Ref. : -  
Our Ref. : CWB/(HY/2009/18)/C55/500/18B011825

Yours faithfully,  
For and on behalf of  
AECOM Asia Co. Ltd.



Randy Yu  
Senior Resident Engineer

Encl.

c.c.	CE3/MW, HyD	- Attn : Mr. W.K. Lo	] - w/encl.
	File	- 115/920	] - w/encl.
e.c.	AECOM	- Attn.: Mr. Alex Li / Ms. Ivy Chung	
	RSS	- PP, DK, YN	

Response required : Yes / No

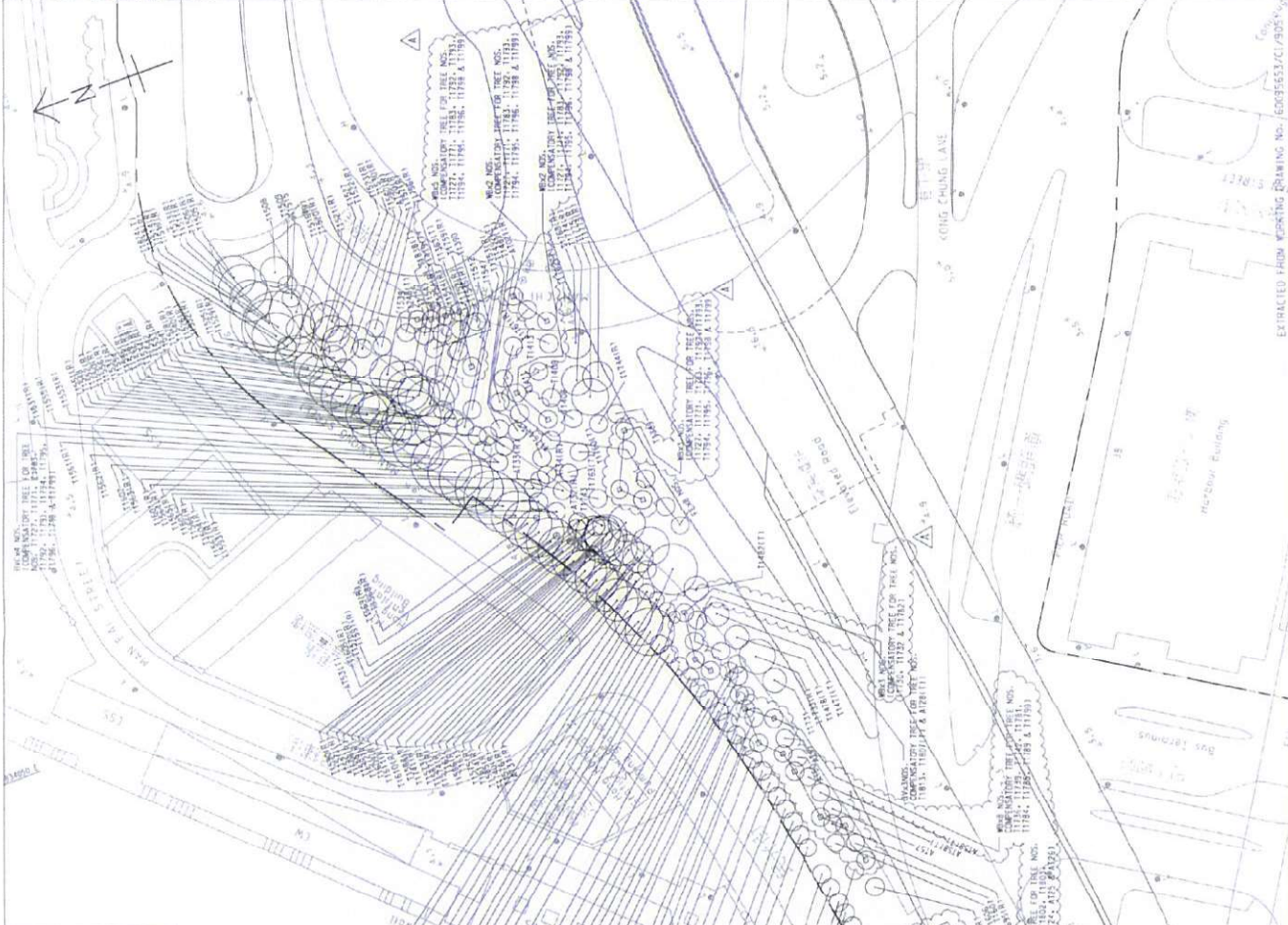
/RY/NO/AWHC/CFC/al



# **Annex A**

## **Planting Layout Plan**

CODE	BOTANICAL NAME	CHINESE NAME	SIZE	SPACING (MM)	QUANTITY
TE	TERMINALIA MENTALY TRILOBATA	莪草樹	HEAVY STANDARD	45 SQM	8
RY	BAPHINIA VARIEGATA	碧綠草	HEAVY STANDARD	45 SQM	3
BVC	BAPHINIA VARIEGATA VAR. PANGIDA	碧綠草	HEAVY STANDARD	45 SQM	4
WB	WEDDINGIA BIRJICATA	乳白樹	HEAVY STANDARD (CROWN HEIGHT 4m)	45 SQM	32



**KEY PLAN**  
SCALE: A1: 1:5000  
A2: 1:3000

**NOTE:**  
1. THIS DRAWING SHALL BE READ IN CONJUNCTION WITH DRAWING NO. 60095653/CI/905.

- LEGEND:**
- SITE BOUNDARY
  - EXISTING TREE TO BE RETAINED
  - PROPOSED TREE PLANTING
  - FINAL LOCATION OF TRANSFERRED TREE AFTER CONSTRUCTION WORKS
  - COMPENSATORY TREE WITH HEAVY
  - PROPOSED PALM PLANTING

APPROVED FOR RECORD ONLY	DATE	BY
APPROVED FOR RECORD ONLY	DATE	BY
DATE	BY	DATE

**AECOM**

**CENTRAL - WAN CHAU BYPASS AND EC LINK**  
CENTRAL - WAN CHAU BYPASS  
CENTRAL INTERCHANGE

TITLE: TREE PLANTING  
AT MAN CHIU STREET PLANTER

SKETCH NO: 60095653/CI/905  
DRAWING NO: 60095653/CI/905/200A



PLANTING SCHEDULE						
CODE	BOTANICAL NAME	CHINESE NAME	SPECIFICATION(S) (REGION/HS/READ/S)	SPACING (mm)	QUANTITY	COMMENT
SHRUB AND GROUND COVER PLANTING:						
1K	LEON JACQUINIA	洋紫荊	400(H)X200(S)	300	410	PLANT ALL SPECIES IN A STAGGERED PATTERN
1W	LEON WILLOW	洋紫荊	300(H)X200(S)	300	200	
1C	LEON CORONILLA	洋紫荊	300(H)X200(S)	300	200	
1G	LEON GERANIUM	洋紫荊	300(H)X200(S)	300	400	
1E	LEON EUPHORBIA	洋紫荊	300(H)X200(S)	300	170	
GROUND COVER PLANTING:						
1S	SPERMATOPHYTES	洋紫荊	300(H)X200(S)	300	200	
TURF PLANTING:						
1T	ADONIS COMPRESSUS	洋紫荊	SPILL/ADONIS		152	AS PER CS DRAWING 2-17

REINSTATEMENT BY THE CONTRACTOR

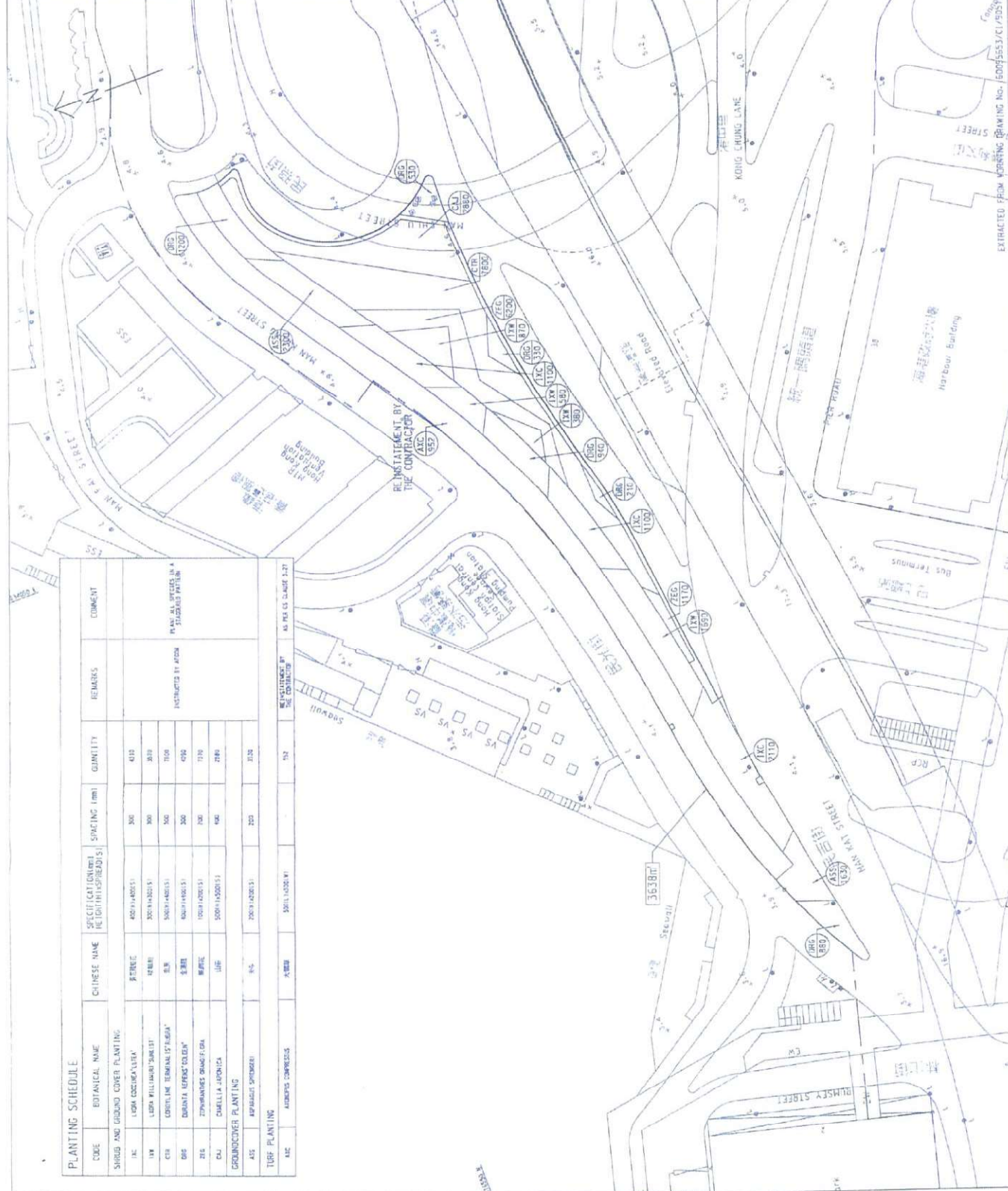


**KEY PLAN**  
SCALE: AS 1:10,000  
AS 1:10,000

**NOTE:**  
1. THIS DRAWING SHALL BE USED IN CONNECTION WITH DRAWING NO. 6009553/C1/9525.

**LEGEND:**

- SITE BOUNDARY
- SUBS CODE
- QUANTITY
- USE CODE
- QUANTITY



**AECOM**

CENTRAL - WAN CHAI BYPASS AND REC LINK  
CENTRAL - WAN CHAI BYPASS  
CENTRAL INTERCHANGE

TITLE: SHRUB PLANTING AT MAN KAI STREET PLANTER

SKETCH NO. 6009553/C1/9525

DATE: 11/01/15

PROJECT NO. 6009553/C1/9525

SCALE: 1:10,000

DESIGNER: AECOM

CHECKED: [Signature]

DATE: 11/01/15

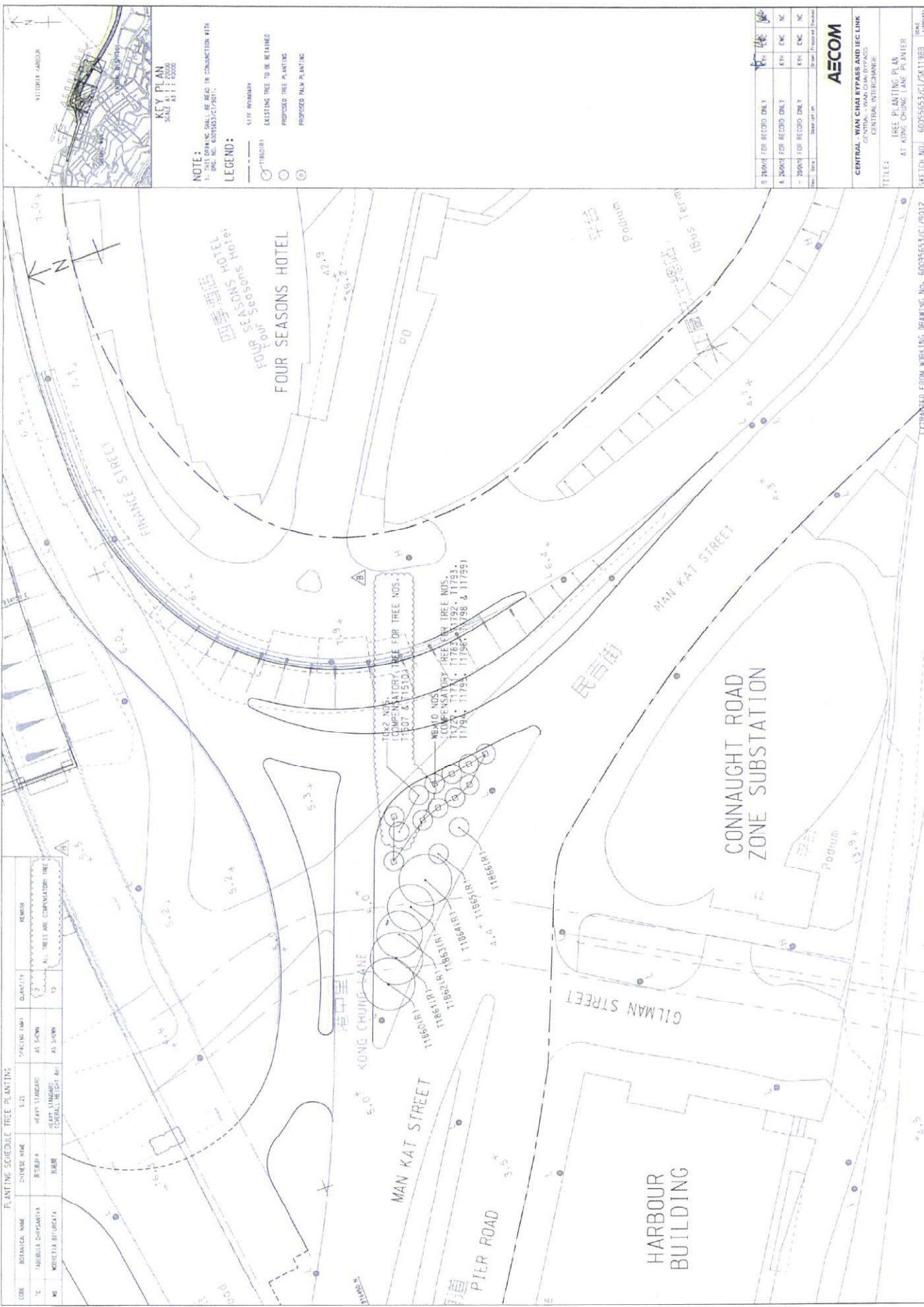
EXTRACTED FROM WORKING DRAWING NO. 6009553/C1/9525

T.M.V. 2009 1802/0031199 0702/000 1905/0011 0717/00



PLANTING SCHEDULE TREE PLANTING

CODE	BOTANICAL NAME	CHINESE NAME	SIZE	PLANTING TIME	QUANTITY	REMARK
TC	FABRICA CHRYANTHA	紅仔仔	HEIGHT STANDARD (GENERAL HEIGHT 40)	AS SHOWN	2	ALL TREES ARE COMPENSATORY TREE
WB	WOLFFIA BILOGATA	木麻	HEIGHT STANDARD (GENERAL HEIGHT 40)	AS SHOWN	15	



KEY PLAN  
SCALE 1:10000

NOTE:  
1. THIS DRAWING SHALL BE READ IN CONJUNCTION WITH  
2. Dwg. No. 60095653/C/19912.

LEGEND:  
--- SITE BOUNDARY  
○ EXISTING TREE TO BE RETAINED  
○ PROPOSED TREE PLANTING  
○ PROPOSED PALM PLANTING

Tree Type	Quantity
B 1000H FOR RECORD ONLY	1
A 2000H FOR RECORD ONLY	1
- 2000H FOR RECORD ONLY	1

CENTRAL - WAN CHAI BYPASS AND IEC LINK  
CENTRAL INTERCHANGE

TITLE:  
TREE PLANTING PLAN  
AT KONG CHUNG LANE PLANTER

SKETCH NO. 60095653/C/19912

DATE 11/09/12

AECOM

EXTRAORDINARY WORKING DRAWING NO. 60095653/C/19912

T.P.Y. 2002, I.P.S.O.S/11888\_2012.dgn 04/09/2018 10:31:05



**KEY PLAN**  
SCALE 1:10,000

**NOTE:**  
1. ALL PLANTING SHALL BE AS SHOWN IN CONSTRUCTION WITH THE EXCEPTED NOTES.  
2. THE EXCEPTED NOTES SHALL BE AS SHOWN IN CONSTRUCTION WITH THE EXCEPTED NOTES.

**LEGEND:**

- 1:100 BOUNDARY
- SHRUB CODE
- QUANTITY

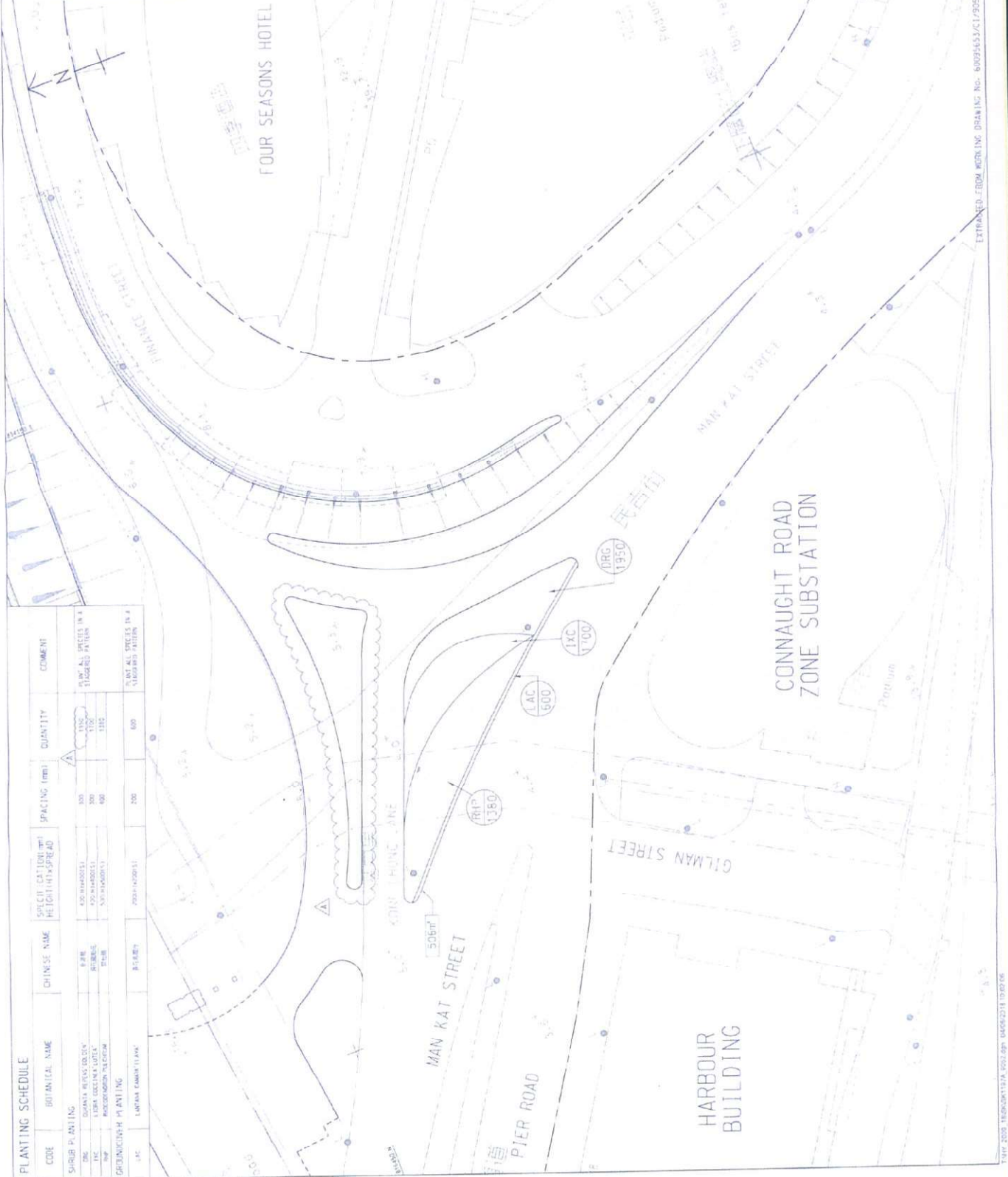
1	WORK FOR RECORD ONLY	DATE	BY
2	WORK FOR RECORD ONLY	DATE	BY

**AECOM**

**CENTRAL - WAN CHAI BYPASS AND IEC LINK**  
SUBSTATION - WAN CHAI BYPASS  
CENTRAL INTERCHANGE

**TITLE:**  
SHRUB PLANTING PLAN  
AT KONG CHONG LANE PLANTER

**SKETCH NO.:** 60094653/C1/5A197A



**PLANTING SCHEDULE**

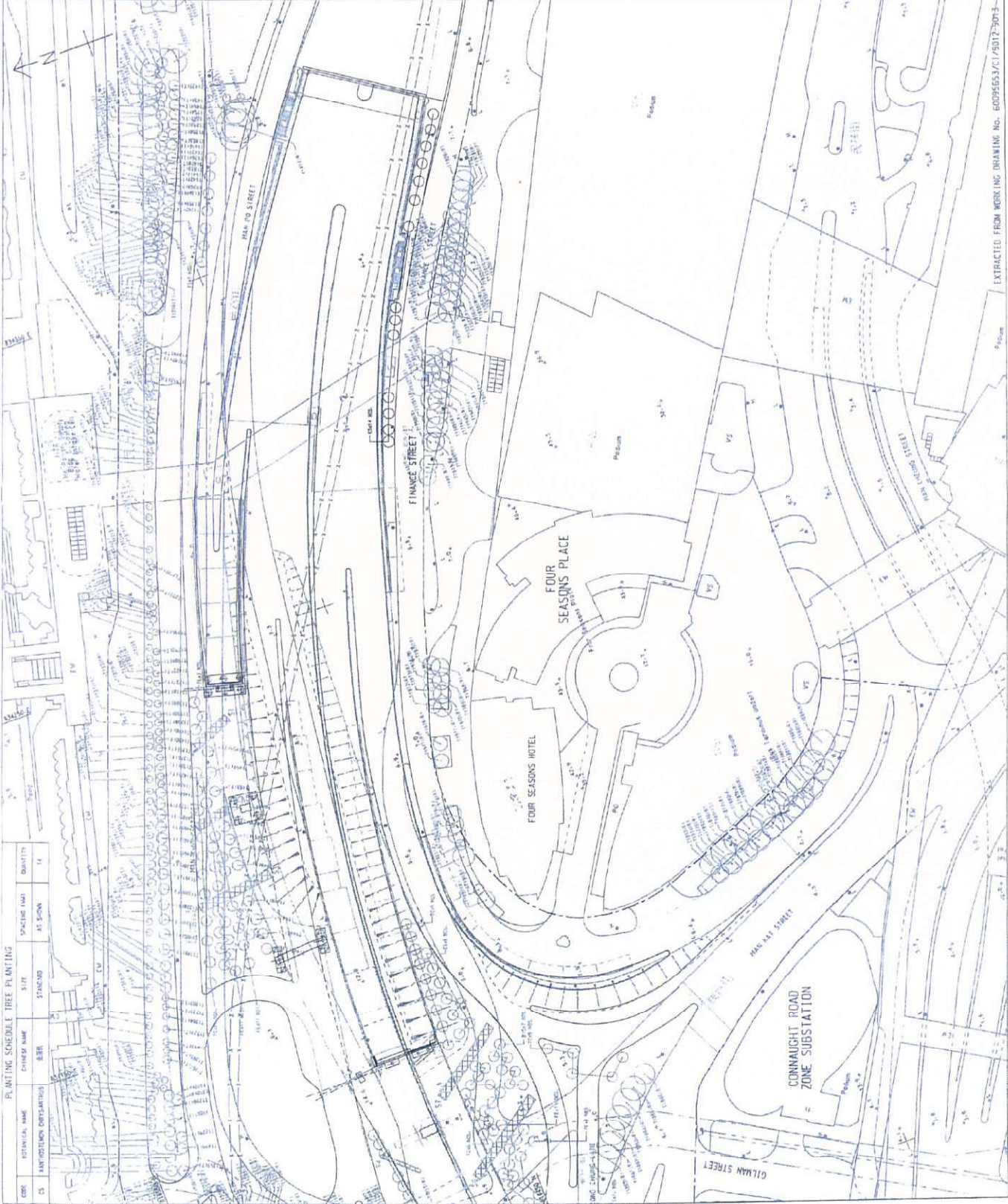
CODE	BOTANICAL NAME	CHINESE NAME	SPECIFIC CATEGORY	HEIGHT	SPACING (mm)	QUANTITY	COMMENT
SHRUB PLANTING							
DRG	QUANTRIA VERTICILLATA	紅花刺楸	500-600mm	300	100	100	PLANTING IN A
TRC	LEUCA COCCINEA LUTEA	紅花刺楸	500-600mm	300	100	100	PLANTING IN A
TRC	PROSTRAEA PLEURANTHA	紅花刺楸	500-600mm	300	100	100	PLANTING IN A
DRIVEWAY PLANTING							
LAC	LEUCA COCCINEA LUTEA	紅花刺楸	500-600mm	300	600	600	PLANTING IN A

ESTIMATED FROM WORKING DRAWING NO. 60094653/C1/5052



PLANTING SCHEDULE TREE PLANTING			
CODE	SYMBOLICAL NAME	COMMON NAME	QUANTITY
C5	ANTHUSOPSIS ORYZANTHUS	BERR	14

PLANTING SCHEDULE TREE PLANTING			
CODE	SYMBOLICAL NAME	COMMON NAME	QUANTITY



**KEY PLAN**  
SCALE: 1:10,000

**NOTE:**  
1. THIS PLAN IS FOR CONSTRUCTION WITH  
2. THE MAIN CONTRACTOR TO VERIFY.

**LEGEND:**

○ PROPOSED TREE PLANTING

NO.	DATE	DESCRIPTION	BY	CHECKED
1	15/05/2013	ISSUED FOR CONSTRUCTION	W. CHAN	J. CHAN

**AECOM**

**CENTRAL - WAN CHAI BYPASS AND REC LINK**  
CENTRAL - WAN CHAI BYPASS  
CENTRAL - WAN CHAI BYPASS

**TITLE:**  
TREE PLANTING PLAN FOR B. WATER  
ALONG FINANCE STREET

PROJECT NO.: 60095653/CI/SK1196  
SHEET NO.: 11/11/2013

EXTRACTED FROM WORKING DRAWING NO. 60095653/CI/S012-301-3





**KEY PLAN**  
 DATE: 11/11/2009  
 SCALE: 1:4000

**NOTE:**  
 1. THIS DRAWING SHALL BE READ IN CONJUNCTION WITH THE DRAWING NO. 6005553/CI/5095.

**LEGEND:**  
 (Symbol) TREE TYPE  
 (Symbol) QUANTITY

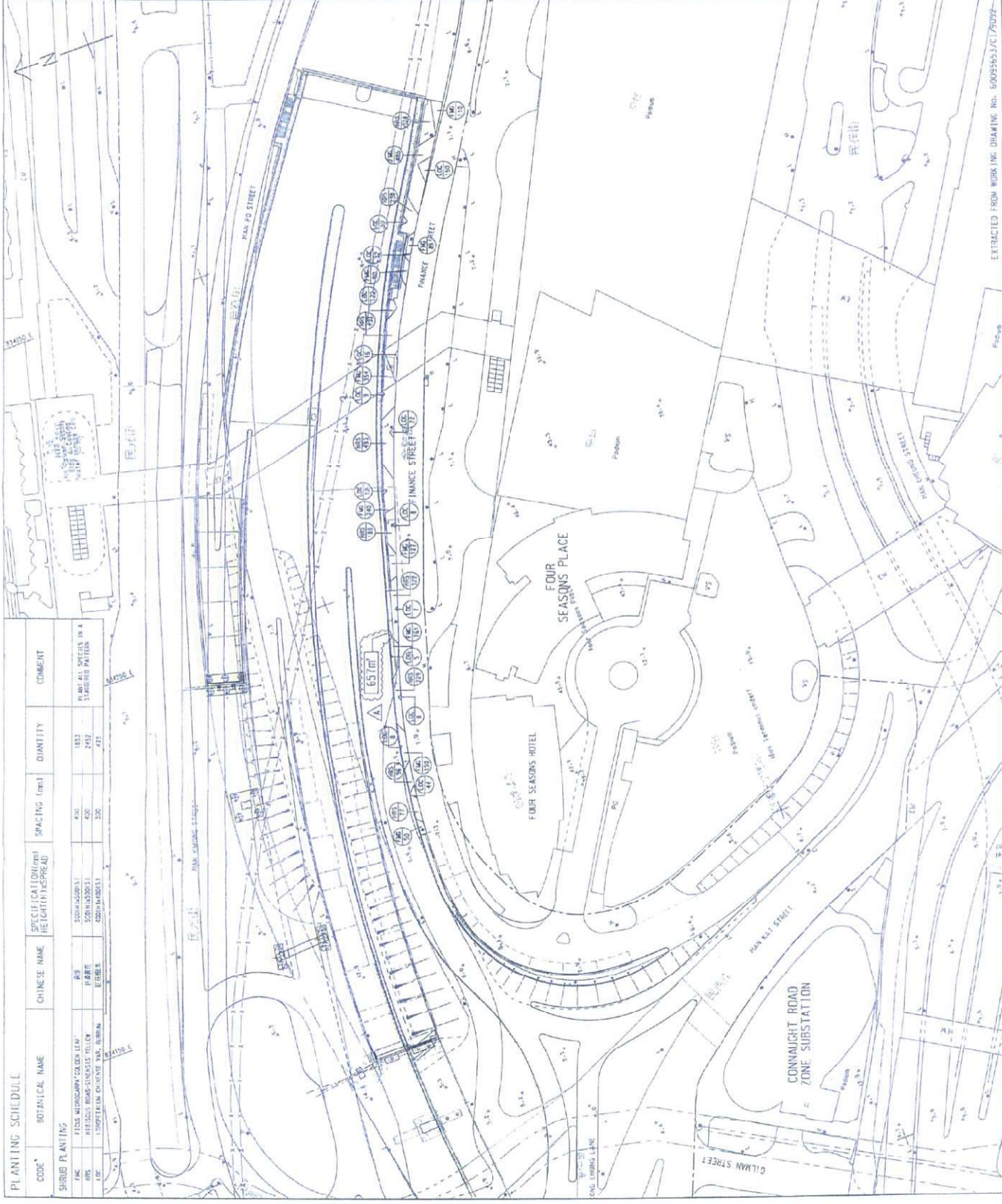
NO.	DATE	DESCRIPTION	BY	CHK
1	11/11/2009	ISSUED FOR CONSTRUCTION	YKH	DK
2	11/11/2009	REVISED FOR CONSTRUCTION	YKH	DK
3	11/11/2009	REVISED FOR CONSTRUCTION	YKH	DK

**AECOM**

CENTRAL - WAN CHAI BYPASS AND EC LINK  
 CENTRAL - WAN CHAI BYPASS  
 CENTRAL INTERCHANGE

TITLE: SHRII PLANTING PLAN FOR PLANTER ALONG FINANCE STREET

SKETCH NO. 6005553/CI/5K1194



**PLANTING SCHEDULE**

CODE	BOTANICAL NAME	CHINESE NAME	SPECIFICATION (mm) HEIGHT x SPREAD	SPACING (mm)	QUANTITY	COMMENT
<b>SHRII PLANTING</b>						
PM	PLANT MEDIUM	PLANT MEDIUM	5000 x 5000 x 1	400	1833	PLANT MEDIUM IN A STAIRING PATTERNS
PM	PLANT MEDIUM	PLANT MEDIUM	5000 x 5000 x 1	400	2452	
PM	PLANT MEDIUM	PLANT MEDIUM	5000 x 5000 x 1	250	473	

EXTRACTED FROM WORKING DRAWING NO. 6005553/CI/5095

T: 852 2099 F: 852 6033 FAX: 852 6033 www.aecom.com 18/04/2011 10:19:28

# **Annex B**

## **Drawings of Irrigation System**





**KEY PLAN**  
 SCALE A1 1 : 20000  
 A3 1 : 40000

- NOTES:**
1. THIS DRAWING TO BE READ IN CONJUNCTION WITH DRAWING NO. 60095653/C/SK10658.
  2. TYPE 1 BEDDING SHALL BE USED. DETAILS OF BEDDING REFER TO WSD STANDARD DRAWING NO. WSD1.1.
  3. DETAILS OF WATER METER BOX AND WATER POINT SHALL REFER TO DRG. NO. 60095653/C/SK11428.
  4. VERTICAL PLUMBING LINE DIAGRAM SHALL REFER TO DRG. NO. 6009563/C/SK1153A.
  5. DN PIPE SIZES REFER TO INTERNAL DIAMETER OF PIPE.

- LEGEND:**
- NEW POLYETHYLENE (PE) PIPE TO BS 150 4427 AND BS EN 12201
  - EXISTING CROSS ROAD DUCT WITH INSPECTION CHAMBER
  - NEW TAPER
  - NEW STOP VALVE
  - FOOTPATH
  - AMENITY AREA
  - CARRIAGEWAY
  - EXISTING WATERPOINT
  - EXISTING WATERPOINT TO BE DEMOLISHED
  - NEW LOOSE JUMPER TYPE STOP COCK
  - NEW WATERPOINT
  - IRRIGATION POINT COVERING AREA
  - U/G UNDERGROUND
  - L/L LOWER LEVEL

Rev.	Date	Description	Drawn	Prepared	Checked
C	24/10/11	GENERAL REVISIONS	PH	PH	UC
B	20/12/10	FOR INFORMATION	SY	HYN	NC
A	07/10/10	FOR INFORMATION	SY	HYN	NC
-	25/05/10	FOR INFORMATION	SY	HYN	NC

**AECOM**

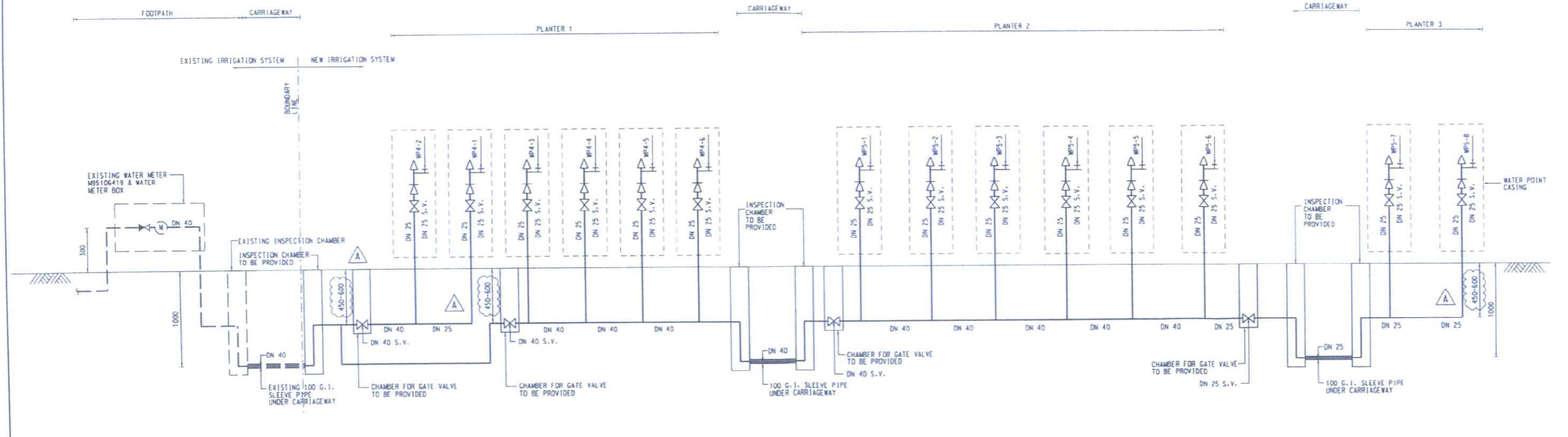
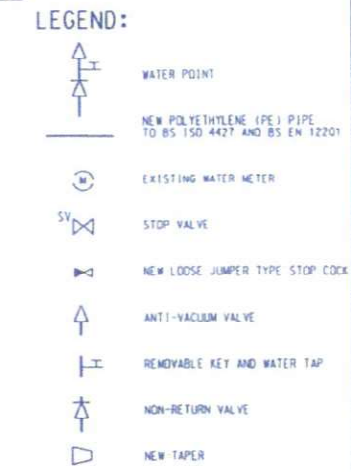
**CENTRAL - WAN CHAI BYPASS AND IEC LINK**  
 CENTRAL - WAN CHAI BYPASS  
 CENTRAL INTERCHANGE

**TITLE:**  
 PLANTER AREA PLAN FOR IRRIGATION  
 AT WATER POINT 4

SKETCH NO. 60095653/C1/SK1065C SCALE 1:1000(A3)



**NOTES:**  
 1. THE LOCATION AND ALIGNMENT OF IRRIGATION SYSTEM SHALL REFER TO SITE SKETCH NO. 60095653/C1/SK1065C AND SK1065B.  
 2. DETAILS OF GATE VALVE CHAMBER, WATER METER BOX, IRRIGATION WATER POINT, WATER POINT CASING AND INSPECTION CHAMBER SHALL REFER TO SITE SKETCH NO. 60095653/C1/SK1149B.  
 3. DN PIPE SIZES REFER TO INTERNAL DIAMETER OF PIPE.



VERTICAL PLUMBING LINE DIAGRAM FOR WP4-1 TO WP4-6 AND WP5-1 TO WP5-8 (IRRIGATION SYSTEM AT MAN KWONG STREET PLANTERS)

Rev.	Date	Description	Drawn	Prepared	Checked
A	24/10/17	GENERAL REVISIONS	SYH	SP	WJC
-	07/11/16	FOR CONSTRUCTION	SY	HYN	NC

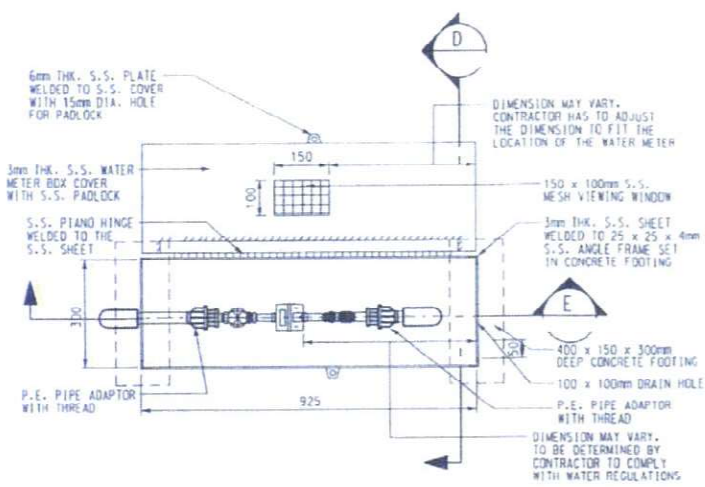
**AECOM**

**CENTRAL - WAN CHAI BYPASS AND IEC LINK**  
 CENTRAL - WAN CHAI BYPASS  
 CENTRAL INTERCHANGE

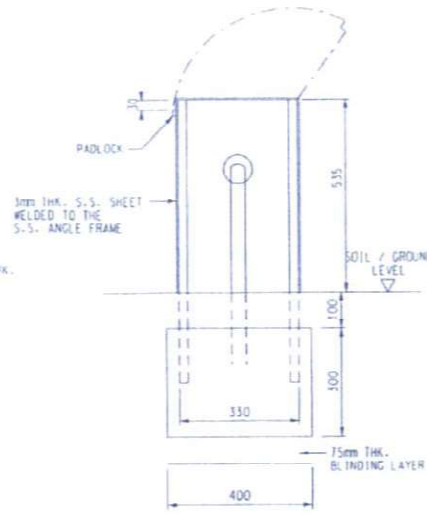
TITLE:  
 VERTICAL PLUMBING LINE DIAGRAMS FOR  
 MAN KWONG STREET PLANTERS  
 WP4-1 TO WP4-6 AND WP5-1 TO WP5-8

EXTRACTED FROM WORKING DRAWING No. 60095653/C1/2411

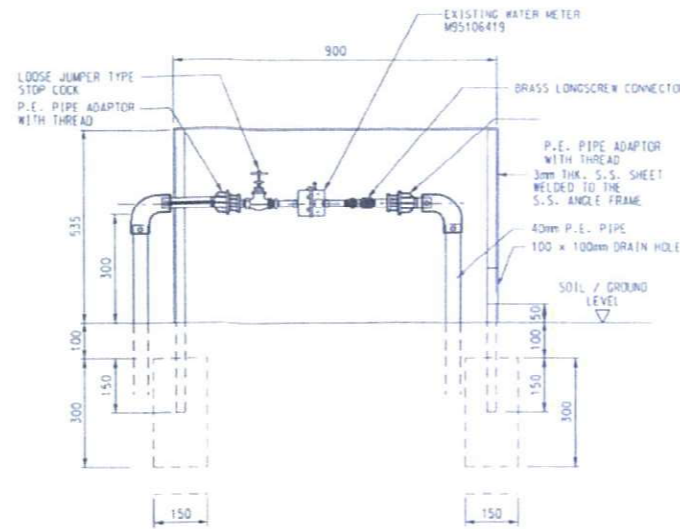
SKETCH NO. 60095653/C1/SK1153A SCALE N.T.S.



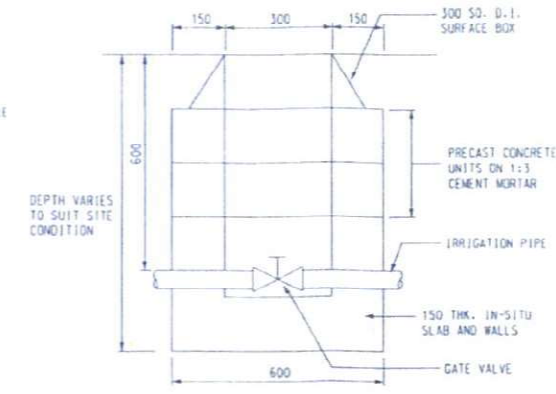
PLAN OF EXISTING WATER METER BOX  
SCALE 1:20



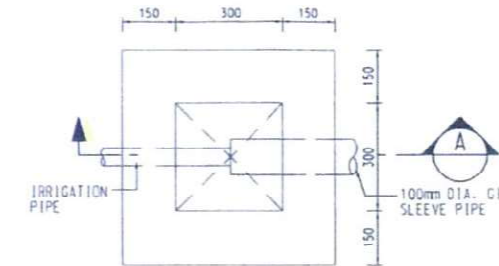
SECTION D  
SCALE 1:20



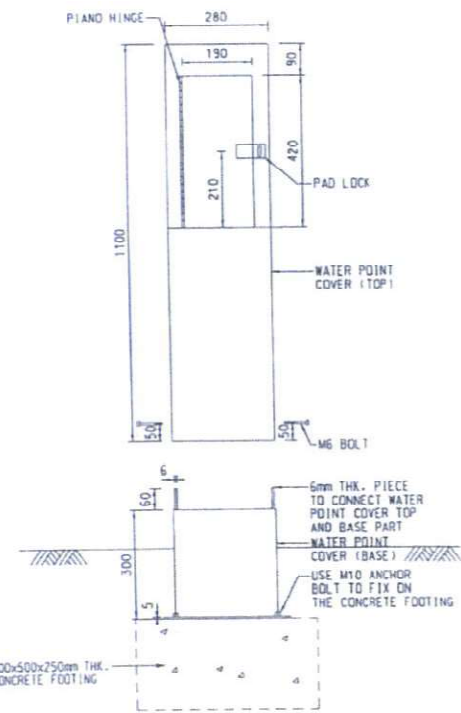
SECTION E  
SCALE NTS



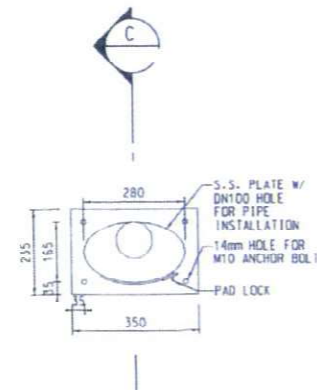
VALVE COVER BOXES  
SCALE 1:20



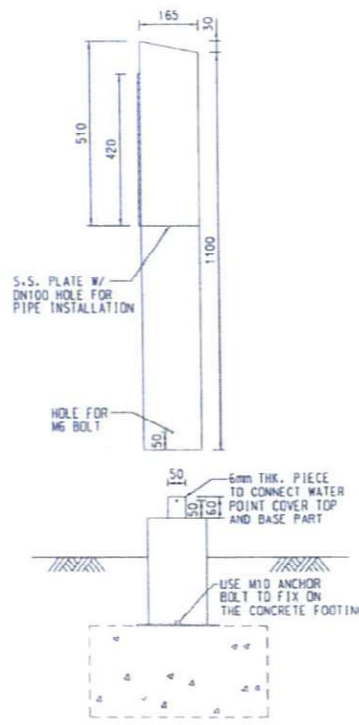
PLAN OF INSPECTION CHAMBER DETAIL  
SCALE: 1:10



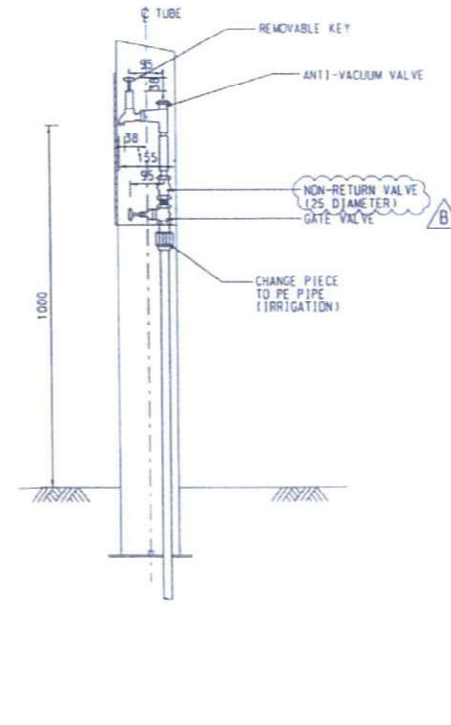
ELEVATION OF WATER POINT  
SCALE 1:20



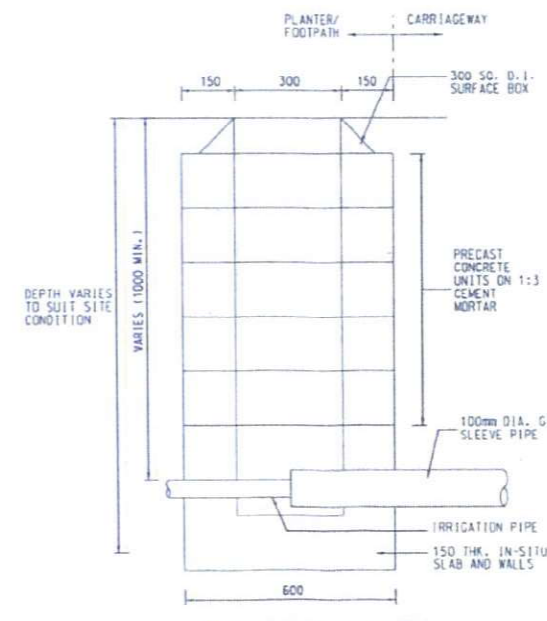
PLAN OF WATER POINT  
SCALE 1:20



SECTION C  
SCALE 1:20



WATER POINT DETAILS  
SCALE 1:20



INSPECTION CHAMBER  
SECTION A  
SCALE 1:20

- NOTES :
1. ALL DIMENSIONS ARE IN MILLIMETRES.
  2. FOR DETAILS OF 300 S.D. D.I. SURFACE BOX REFER TO WSD STANDARD DRAWING NO. WSD 1.4TC.
  3. FOR DETAILS OF PRECAST CONCRETE UNITS REFER TO DRAWING NO. WSD 1.7E.
  4. GRADE OF CONCRETE SHALL BE 30/200 UNLESS OTHERWISE SPECIFIED.
  5. EXACT LOCATION OF WATER POINT TO BE DETERMINED ON SITE.
  6. GRADE OF STAINLESS STEEL SHALL BE 304 UNLESS OTHERWISE SPECIFIED.

Rev.	Date	Description	Drawn	Prepared	Checked
B	24/10/17	GENERAL REVISIONS	RTH	SY	NC
A	04/12/16	FOR CONSTRUCTION	SY	HYN	NC
-	08/10/16	FOR CONSTRUCTION	SY	HYN	NC

**AECOM**

CENTRAL - WAN CHAI BYPASS AND IEC LINK  
CENTRAL - WAN CHAI BYPASS  
CENTRAL INTERCHANGE

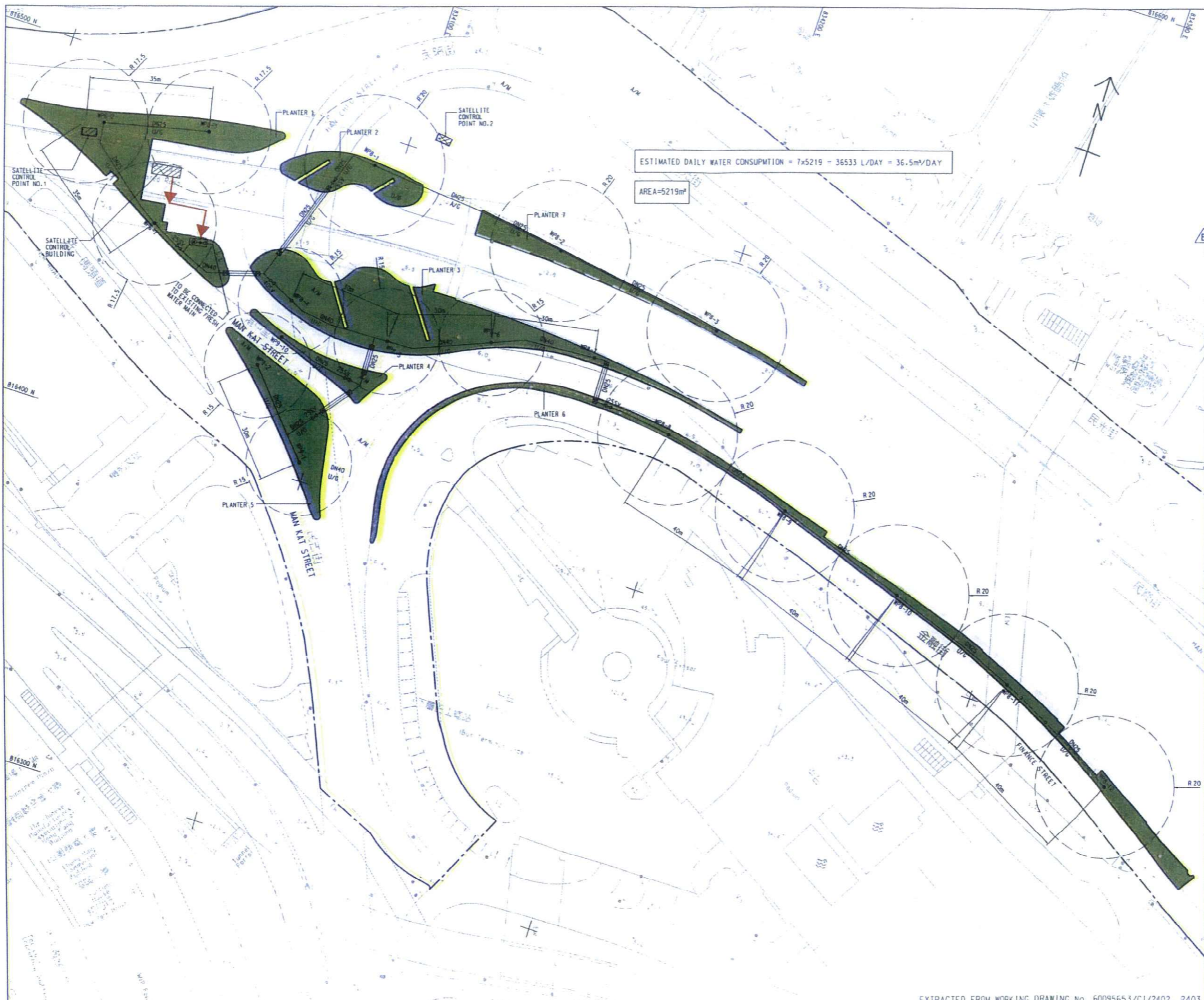
TITLE:  
IRRIGATION WATER SUPPLY DETAILS

SKETCH NO. 60095653/C1/SK1142B SCALE AS SHOWN



EXTRACTED FROM WORKING DRAWING No. 3128/ACL/10245





KEY PLAN  
SCALE A1 1 : 20000  
A3 1 : 40000

- NOTES:
1. DETAILS OF WATER METER BOX AND WATER POINT SHALL REFER TO DRC. NO. 60095653/CI/SK1072B AND SK11406.
  2. DN PIPE SIZES REFER TO INTERNAL DIAMETER OF PIPE.

- LEGEND:
- NEW WATER METER BOX FOR IRRIGATION
  - CROSS ROAD DUCT WITH INSPECTION CHAMBER
  - NEW POLYETHYLENE (PE) PIPE TO BS 150 4427 AND BS EN 12201
  - NEW STOP VALVE
  - F/P FOOTPATH
  - A/M AMENITY AREA
  - C/W CARRIAGEWAY
  - EXISTING WATERPOINT
  - EXISTING WATERPOINT TO BE DEMOLISHED
  - NEW LOOSE JUMPER TYPE STOP COCK
  - NEW WATERPOINT
  - IRRIGATION POINT COVERING AREA
  - U/G UNDERGROUND
  - L/L LOWER LEVEL
  - A/G ABOVE GROUND

Rev.	Date	Description	Drawn	Prepared	Checked
B	24/10/17	GENERAL REVISIONS	AYH	S	AYH
A	15/12/16	FOR INFORMATION	SY	HYN	NC
-	05/05/16	FOR INFORMATION	SY	CH	NC

**AECOM**

**CENTRAL - WAN CHAI BYPASS AND IEC LINK**  
CENTRAL - WAN CHAI BYPASS  
CENTRAL INTERCHANGE

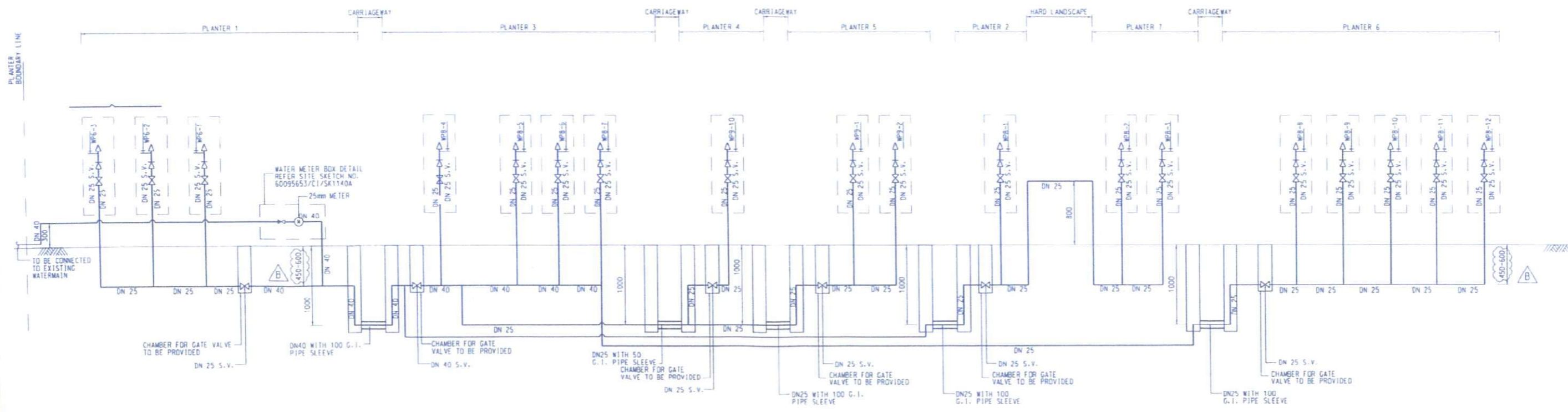
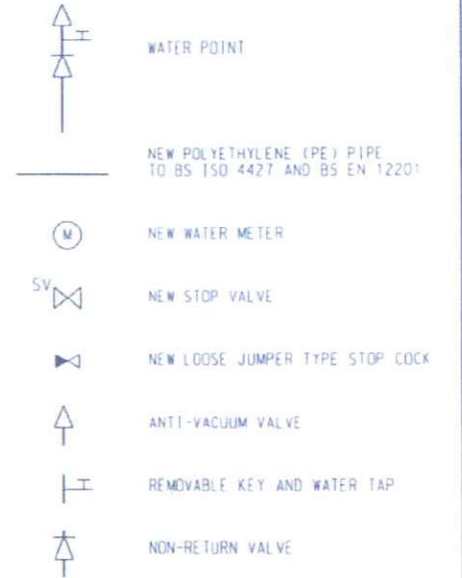
TITLE:  
LAYOUT PLAN FOR IRRIGATION SYSTEM  
IN FRONT OF PORTION VI PLANTERS



**NOTES:**

1. THE LOCATION AND ALIGNMENT OF IRRIGATION SYSTEM SHALL REFER TO SITE SKETCH NO. 60095653/C1/SK10598.
2. DN PIPE SIZES REFER TO INTERNAL DIAMETER OF PIPE.

**LEGEND:**



SYSTEM WP6-1 TO WP6-3, WP9-1 TO WP9-2, WP9-10 AND WP8-1 TO WP8-12 (IRRIGATION SYSTEM AT PLANTERS IN FRONT OF FOUR SEASONS HOTEL)

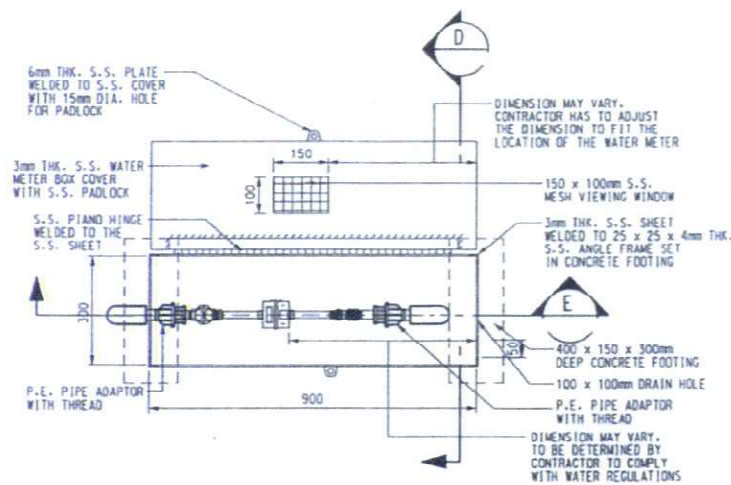
Rev.	Date	Description	Drawn	Prepared	Checked
B	24/10/17	GENERAL REVISIONS	ATH	JG	JKL
A	07/12/16	FOR CONSTRUCTION	SY	HTN	NC
-	07/06/16	FOR CONSTRUCTION	SY	HTN	NC

**AECOM**

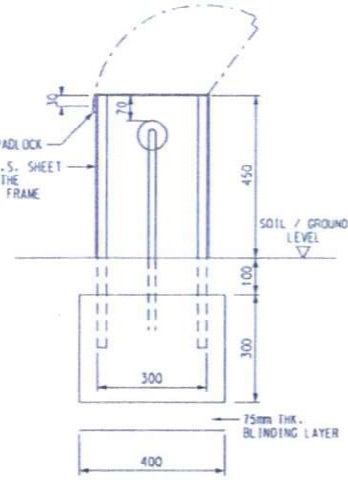
CENTRAL - WAN CHAI BYPASS AND IEC LINK  
CENTRAL - WAN CHAI BYPASS  
CENTRAL INTERCHANGE

TITLE: IRRIGATION SYSTEM VERTICAL PLUMBING LINE DIAGRAMS FOR SYSTEMS WP6-1 TO WP6-3, WP9-1 TO WP9-2, WP9-10 AND WP8-1 TO WP8-12

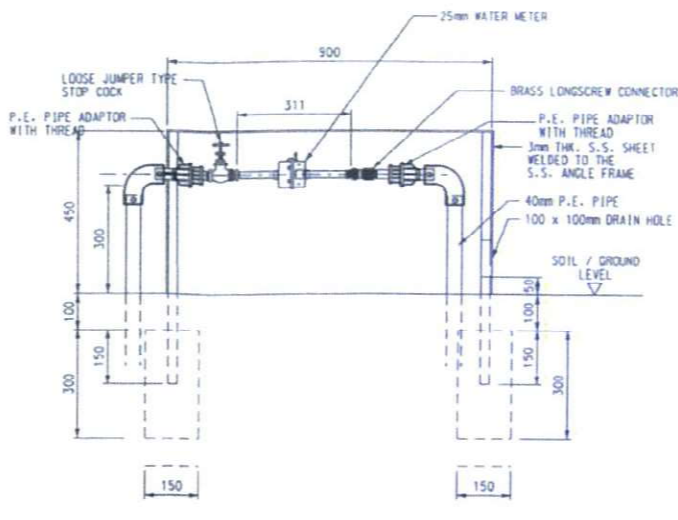
SKETCH NO. 60095653/C1/SK1072B SCALE 1:1.5



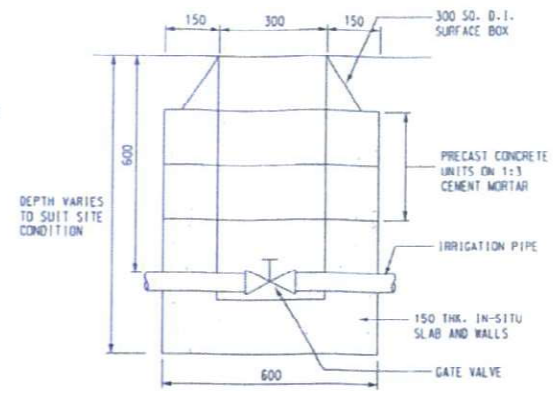
PLAN OF WATER METER BOX  
SCALE 1:20



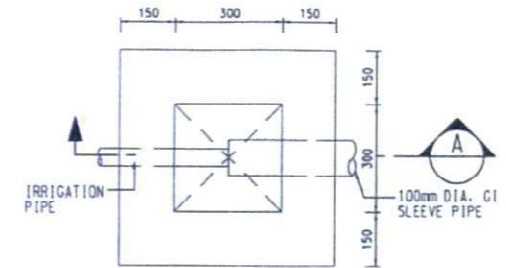
SECTION D  
SCALE 1:20



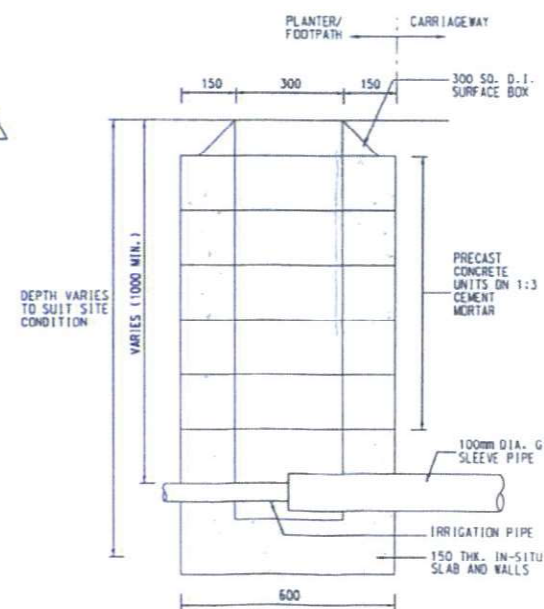
SECTION E  
SCALE NTS



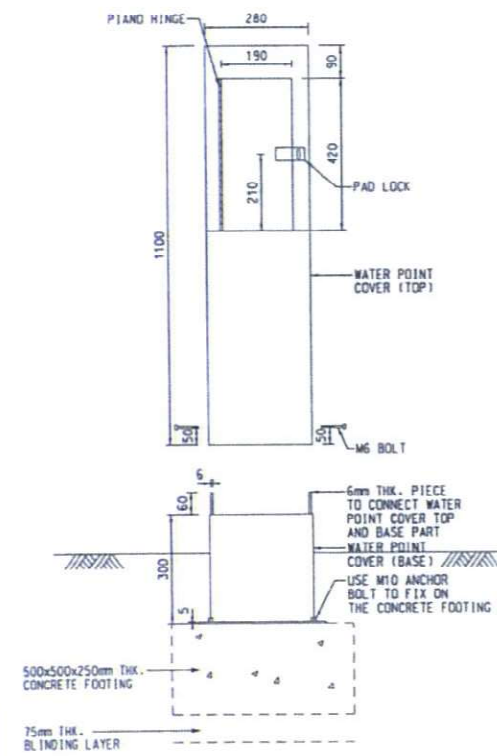
VALVE COVER BOXES  
SCALE 1:20



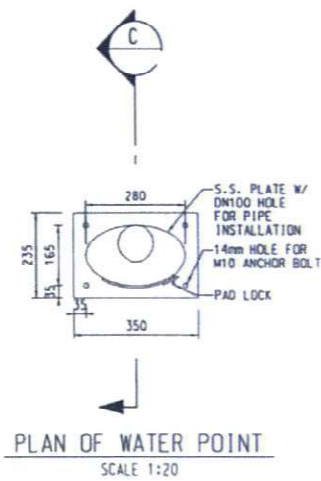
PLAN OF INSPECTION CHAMBER DETAIL  
SCALE: 1:10



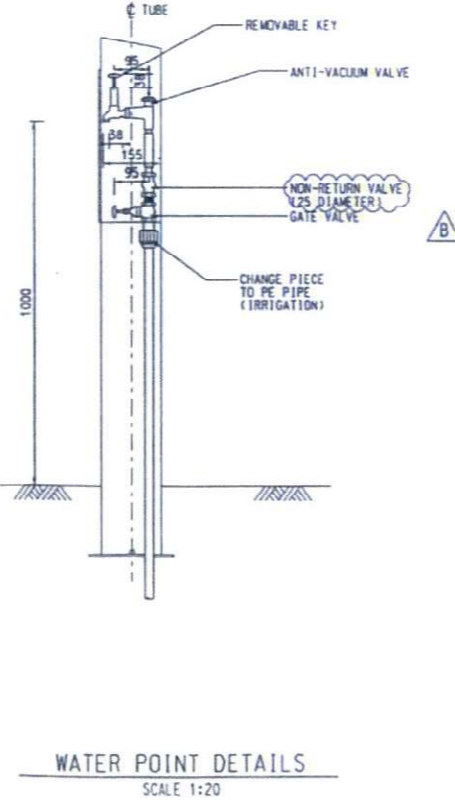
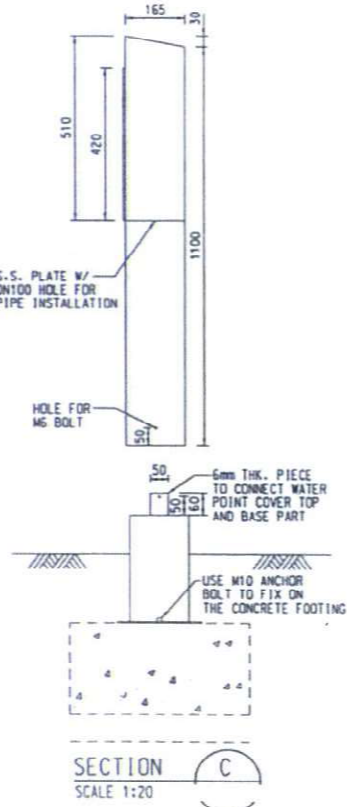
INSPECTION CHAMBER  
SECTION A  
SCALE 1:20



ELEVATION OF WATER POINT  
SCALE 1:20



PLAN OF WATER POINT  
SCALE 1:20



WATER POINT DETAILS  
SCALE 1:20

- NOTES :
1. ALL DIMENSIONS ARE IN MILLIMETRES.
  2. FOR DETAILS OF 300 SO. D. I. SURFACE BOX REFER TO WSD STANDARD DRAWING NO. WSD 7.4TC.
  3. FOR DETAILS OF PRECAST CONCRETE UNITS REFER TO DRAWING NO. WSD 1.7E.
  4. GRADE OF CONCRETE SHALL BE 30/200 UNLESS OTHERWISE SPECIFIED.
  5. EXACT LOCATION OF WATER POINT TO BE DETERMINED ON SITE.
  6. GRADE OF STAINLESS STEEL SHALL BE 304 UNLESS OTHERWISE SPECIFIED.

Rev.	Date	Description	Drawn	Prepared	Checked
B	24/10/17	FOR CONSTRUCTION	HYH	SKP	WHL
A	14/12/16	FOR CONSTRUCTION	SY	HYN	NC
-	05/10/16	FOR CONSTRUCTION	SY	HYN	NC

**AECOM**

CENTRAL - WAN CHAI BYPASS AND IEC LINK  
CENTRAL - WAN CHAI BYPASS  
CENTRAL INTERCHANGE

TITLE:  
IRRIGATION SYSTEM MISCELLANEOUS DETAILS

SKETCH NO. 60095653/C1/SK1140B SCALE AS SHOWN (A2)

EXTRACTED FROM WORKING DRAWING No. 3128/ACL/10245

---

# **Annex C**

## **Record Photos**



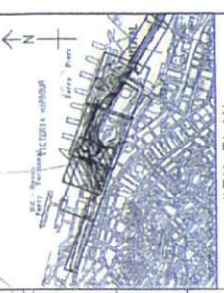
# **General View of Planters**

PLANTING SCHEDULE						
CODE	BOTANICAL NAME	CHINESE NAME	SPECIFICATION(M) HEIGHT(M)SPREAD(S)	SPACING (M)	QUANTITY	REMARKS
<b>SHRUB AND GROUND COVER PLANTING</b>						
TIC	LIRIA COCCINEA(L'UREA)	紅蓮花	400(H)400(S)	300	4319	
FW	LIRIA WILLIAMSII(BANKS)	紅蓮花	300(H)300(S)	300	3520	
CFR	CORDYLINE TERMINALIS 'PINKA'	紅蓮花	500(H)400(S)	300	1600	
DRG	DURANTA REPENS 'GOLDEN'	紅蓮花	400(H)400(S)	300	4290	
ZEG	ZEPHYRANES BANGSI(L'UR)	紅蓮花	100(H)100(S)	300	1370	
GAU	GAELLIA JAPONICA	紅蓮花	500(H)400(S)	400	1880	
<b>GROUNDCOVER PLANTING</b>						
AS5	SPERMATOPHYTES	紅蓮花	200(H)200(S)	300	3320	
<b>TURF PLANTING</b>						
AS2	INDIAN MAINTENANCE	紅蓮花	500(H)500(S)		912	RE INSTALEMENT BY THE CONTRACTOR AS PER IS CLAUSE 2.17

RE INSTALEMENT BY THE CONTRACTOR

INDICATED BY AECOM

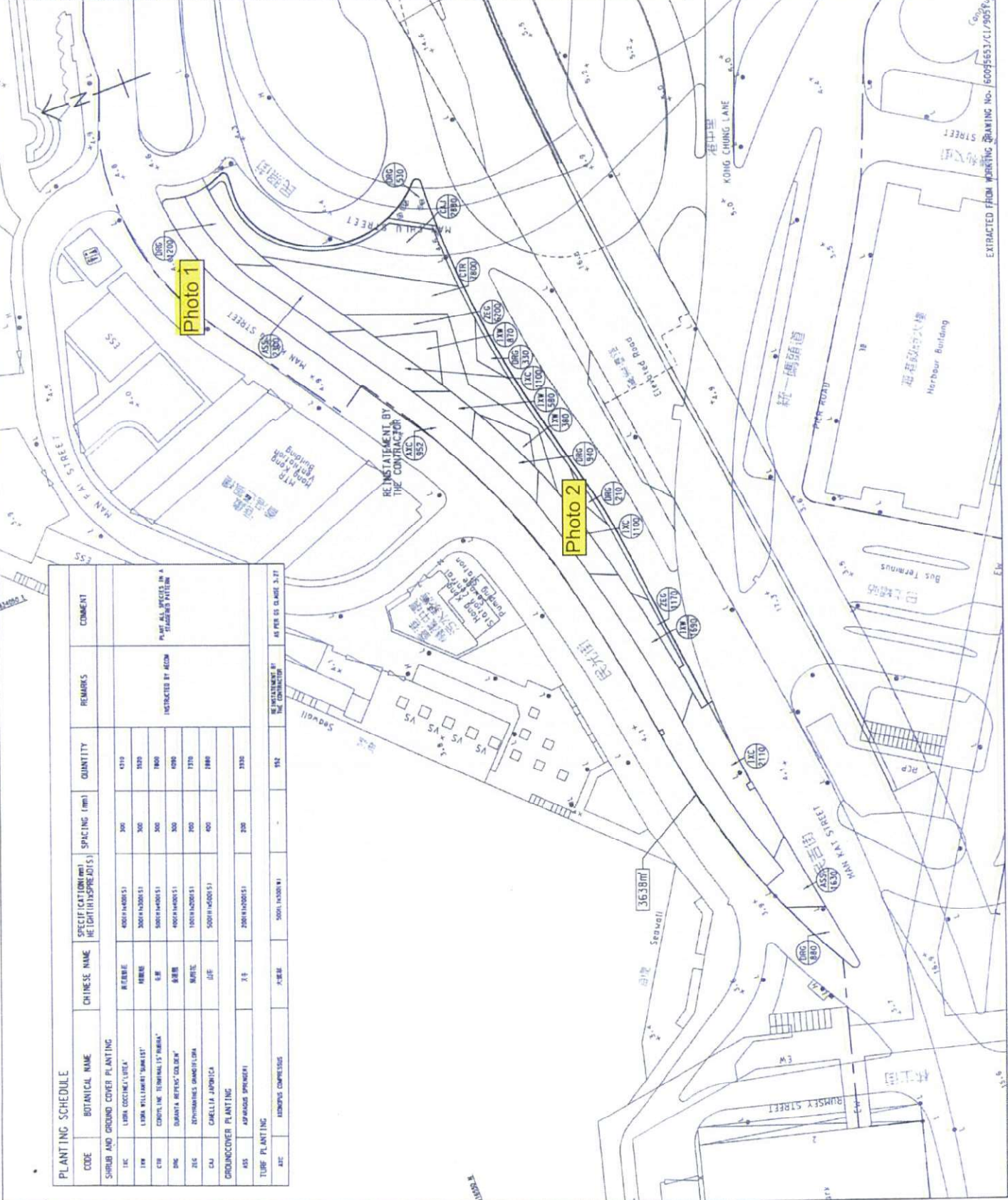
PLANT ALL SPECIES IN A STAGGERED PATTERN



**KEY PLAN**  
SCALE: AS 1:30000  
1. THIS DRAWING SHALL BE READ IN CONJUNCTION WITH DRAWING NO. 60095653/CI/9056

**LEGEND:**

- SITE BOUNDARY
- SHRUB CODE
- QUANTITY
- TURF CODE
- QUANTITY



**AECOM**

**CENTRAL - WAI CHAI BYPASS AND BEG LINK**  
CENTRAL - WAI CHAI BYPASS  
CENTRAL INTERCHANGE

**TITLE:** SHRUB PLANTING  
AT MAN CHIU STREET PLANTER

**SKETCH NO.:** 60095653/CI/2K1199

**DATE:** 17/05/2017

**REVISION:**

No.	Date	Description	Prep	Checked
1				

PLANTING SCHEDULE

CODE	BOTANICAL NAME	CHINESE NAME	SPECIFICATION (H x W x SPREAD)	SPACING (mm)	QUANTITY	COMMENT
<b>SHRUB PLANTING</b>						
SBC	SHRUB RETINA ZELKOV	紅仔樹	420(H)X400(W)X51	300	190	PLANT ALL SPECIES IN A STAGGERED PATTERN
SEC	LYDIA COCCINEA LYDIA	紅仔樹	420(H)X400(W)X51	300	100	
RF	PROCESSION PALM	紅仔樹	500(H)X400(W)X51	400	180	
<b>GROUNDCOVER PLANTING</b>						
LAC	LAWSONIA CAMARA 'LAVIA'	紅仔樹	220(H)X220(W)X51	200	600	PLANT ALL SPECIES IN A STAGGERED PATTERN



FOUR SEASONS HOTEL

CONNAUGHT ROAD  
ZONE SUBSTATION

HARBOUR  
BUILDING

MAN KAT STREET

GILMAN STREET

PIER ROAD

Photo 3



NOTE: SERVICE SHALL BE MADE IN CONJUNCTION WITH THE ARCHITECTURAL DRAWINGS.

LEGEND:  
SITE BOUNDARY  
SHRUB TREE QUANTITY  
GROUND COVER QUANTITY

REV	DATE	BY	CHK	NC
A			EVC	NC
B			EVC	NC

AECOM

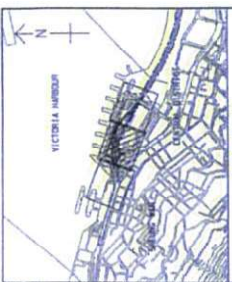
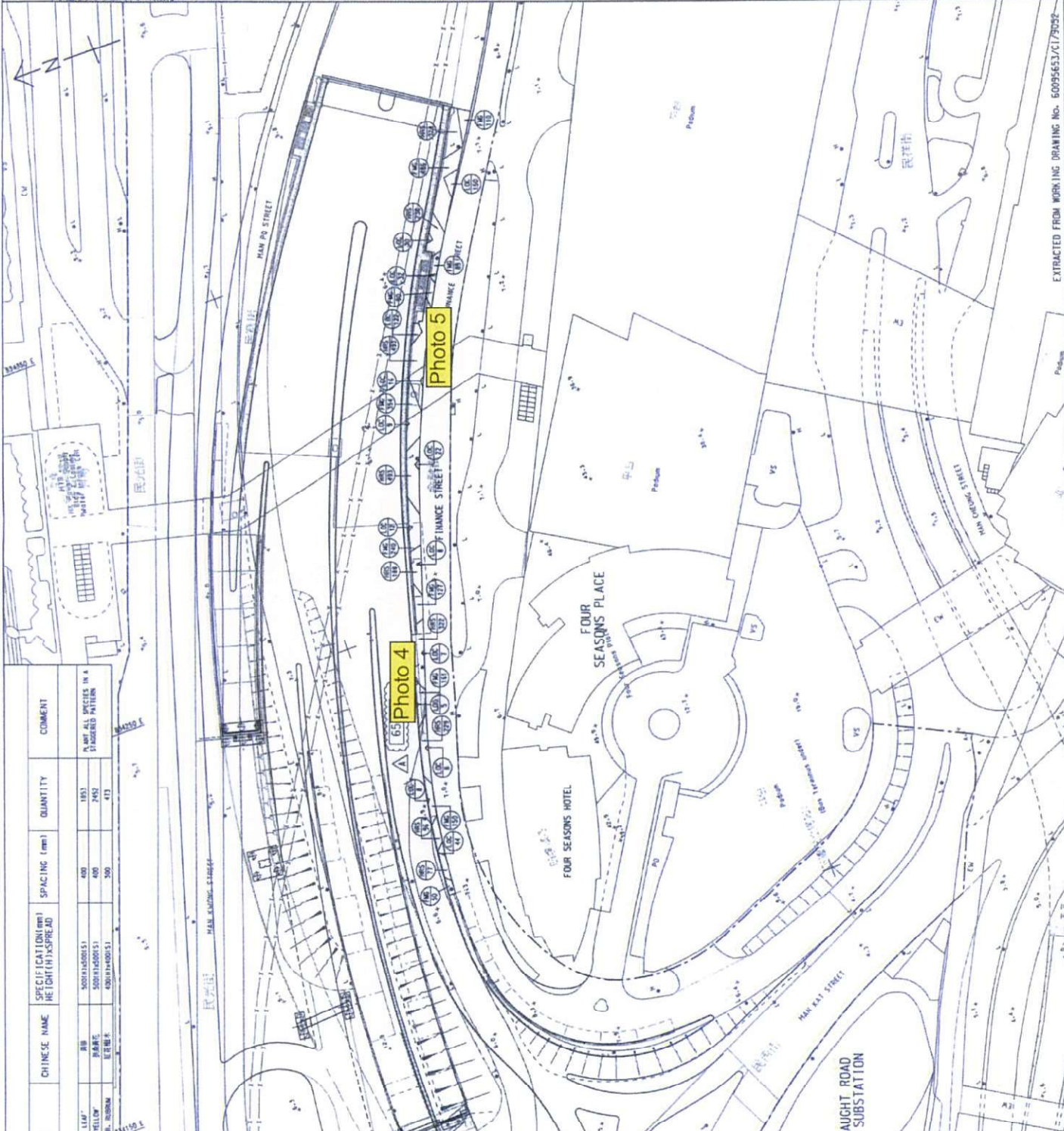
CENTRAL WAI CHAI BYPASS AND IFC LINK  
CENTRAL WAI CHAI BYPASS  
CENTRAL INTERCHANGE  
TITLE: SHRUB PLANTING PLAN  
AT: LONG CHUNG LINE PLANTER  
SKETCH NO: 60095653-C1/5K1197A  
SCALE: 1:1000

EXTRACTED FROM WORKING DRAWING No. 60095653/C1/9052



**PLANTING SCHEDULE**

CODE	BOTANICAL NAME	CHINESE NAME	SPECIFICATION (DBH) HEIGHT (M) / SPREAD	SPACING (mm)	QUANTITY	COMMENT
SHRUB PLANTING						
1M5	FICUS MICROCARPA (CORKA LEAF)	BB	500/15/400/51	600	1803	PLANT ALL TREES IN A DIAGNOSED PATTERN
1M5	FICUS BICOLOR (ROAD-SIDE) "YELLOW"	BB	500/15/400/51	600	2452	
1M5	LEPTOCARPUM CHINENSE (RED BIRCH)	BB	400/15/400/51	300	473	



**NOTE:**  
1. THIS DRAWING SHALL BE READ IN CONJUNCTION WITH THE GENERAL SPECIFICATIONS AND DRAWINGS.

**LEGEND:**

SHRUB CODE  
QUANTITY

DATE	DESCRIPTION	BY	CHK

**AECOM**

**CENTRAL - WAN CHAI BYPASS AND REC LINK  
CENTRAL - WAN CHAI BYPASS  
CENTRAL INTERCHANGE**

TITLE:  
SHRUB PLANTING PLAN FOR PLANTER  
ALONG FINANCE STREET

PROJECT NO.: 60095653/C1/SK1194













Photo 3





Photo 4

04/05/2018





04/05/2018

Photo 5



# **Functional Check of Irrigation System**



KEY PLAN  
SCALE AS 1:10000  
AS 1:10000

NOTES:

1. THIS DRAWING TO BE READ IN CONJUNCTION WITH DRAWING NO. 60095653/CI/05A.
2. TYPE 1 REDDING SHALL BE USED. DETAILS OF REDDING REFER TO WS STANDARD DRAWING NO. WS1-1.
3. DETAILS OF WATER METER BOX AND WATER-LOG SHALL REFER TO ENG. NO. 60095653/CI/05A.
4. VERTICAL PLUMBING LINE ALONGSIDE SHALL REFER TO ENG. NO. 60095653/CI/05A.

LEGEND:

- NEW WATERMETER TYPE STOP CODE
- EXISTING CROSS ROAD DUCT WITH INSPECTION CHAMBER
- NEW LATER
- NEW STOP VALVE
- FOOTPATH
- AMENITY AREA
- CONCRETE
- EXISTING WATERMETER
- EXISTING WATERMETER TO NEW LOGIC JAMPER TYPE STOP CODE
- NEW WATERMETER
- IRRIGATION POINT
- COVERING AREA
- UNDERGROUND
- LOWER LEVEL
- L/L

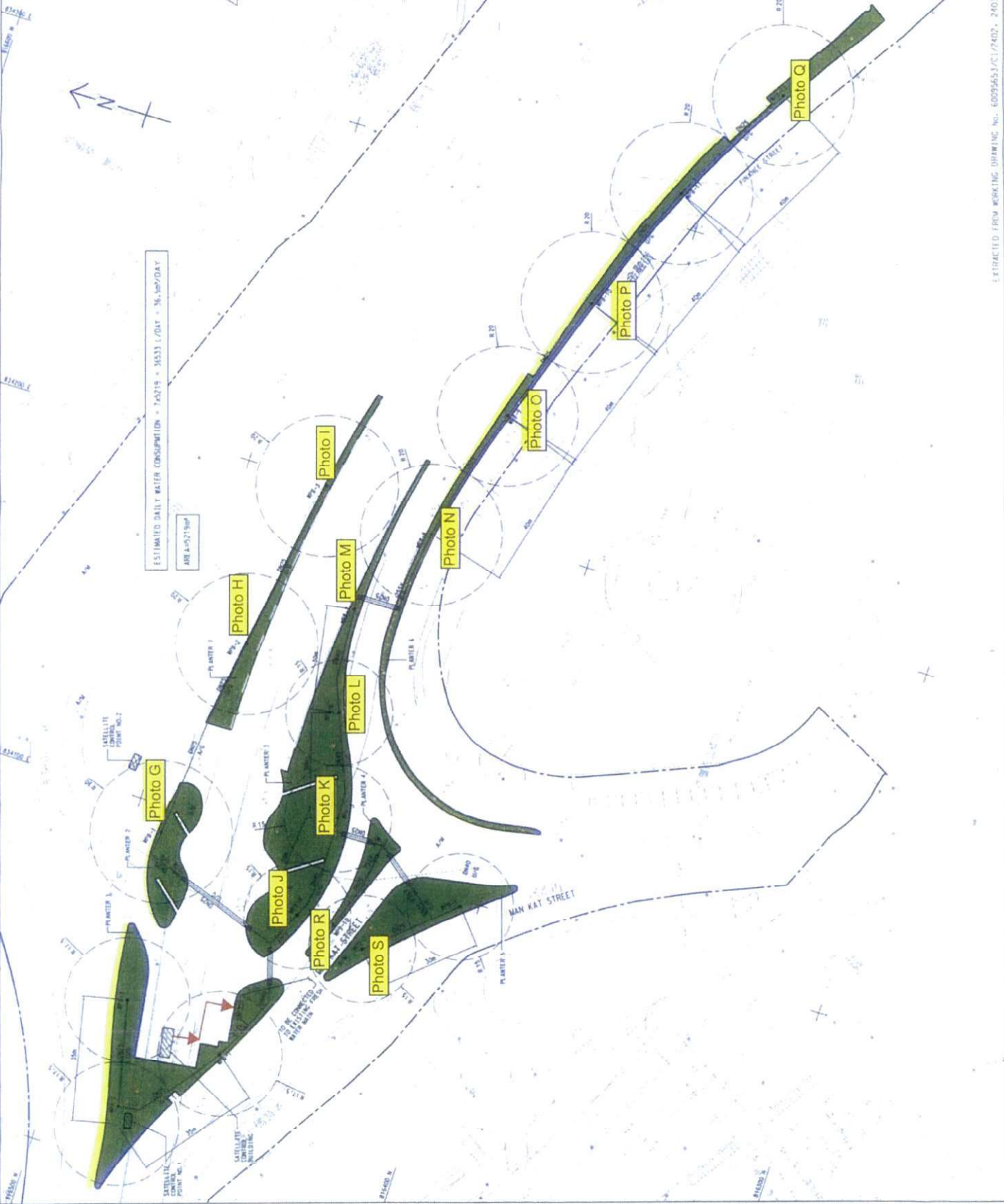
C	GENERAL REVISIONS	1	1/16/17
B	ISSUE FOR INFORMATION	5/1	5/1/17
A	ISSUE FOR INFORMATION	5/1	5/1/17
	ISSUE FOR INFORMATION	5/1	5/1/17

**AECOM**  
CENTRAL - WAN CHAI BYPASS AND REC LINK  
CENTRAL - WAN CHAI BYPASS  
CENTRAL INTERCHANGE  
TITLE: PLANTER AREA PLAN FOR IRRIGATION AT WATER POINT 4  
SKETCH NO.: 60095653/CI/25A1059C  
SCALE: 1:10000



EXTRACTED FROM WORKING DRAWING NO. 60095653/CI/2401-2402

T:\FY\_2009\_18\work\1865C\_2402.dwg 18/11/2017 11:28:08



**KEY PLAN**  
SCALE: AS SHOWN

**NOTES:**  
1. DETAILS OF WATER METER BOX AND WATER METER SHALL BE AS PER THE STANDARD DRAWING (SD) NO. 600365/5/1/1/A/10519.

**LEGEND:**

- NEW WATER METER BOX FOR IRRIGATION
- 100% SAND DUCT WITH INSULATION
- NEW STOP VALVE
- VALVE
- NEW STOP VALVE
- PLANTER
- AGENCY AREA
- C/W
- EXISTING WATERPOINT
- EXISTING WATERPOINT TO ADJACENT ROAD
- NEW 100% SAND DUCT TYPE STOP COCK
- NEW WATERPOINT
- IRRIGATION POINT
- CORNER MARK
- UNDERGROUND
- S/L
- LOWER LEVEL
- ADJ. GROUND

REV.	DESCRIPTION	BY	CHK.
B	GENERAL REVISIONS		
A	ISSUED FOR INFORMATION	ST	WYK
-	ISSUED FOR INFORMATION	ST	CK

**AECOM**

**CENTRAL - WAN CHAI BYPASS AND REC LINK**  
CENTRAL - WAN CHAI BYPASS  
CENTRAL INTERCHANGE

**TITLE:**  
LAYOUT PLAN FOR IRRIGATION SYSTEM IN PLANT V1 PLANTERS

PROJECT NO.: 600365/5/1/1/A/10519

ESTIMATED DAILY WATER CONSUMPTION - TACTIS - 16533 L/DAY - 36.1m<sup>3</sup>/DAY  
AREA - 4,971 SqM





Photo B

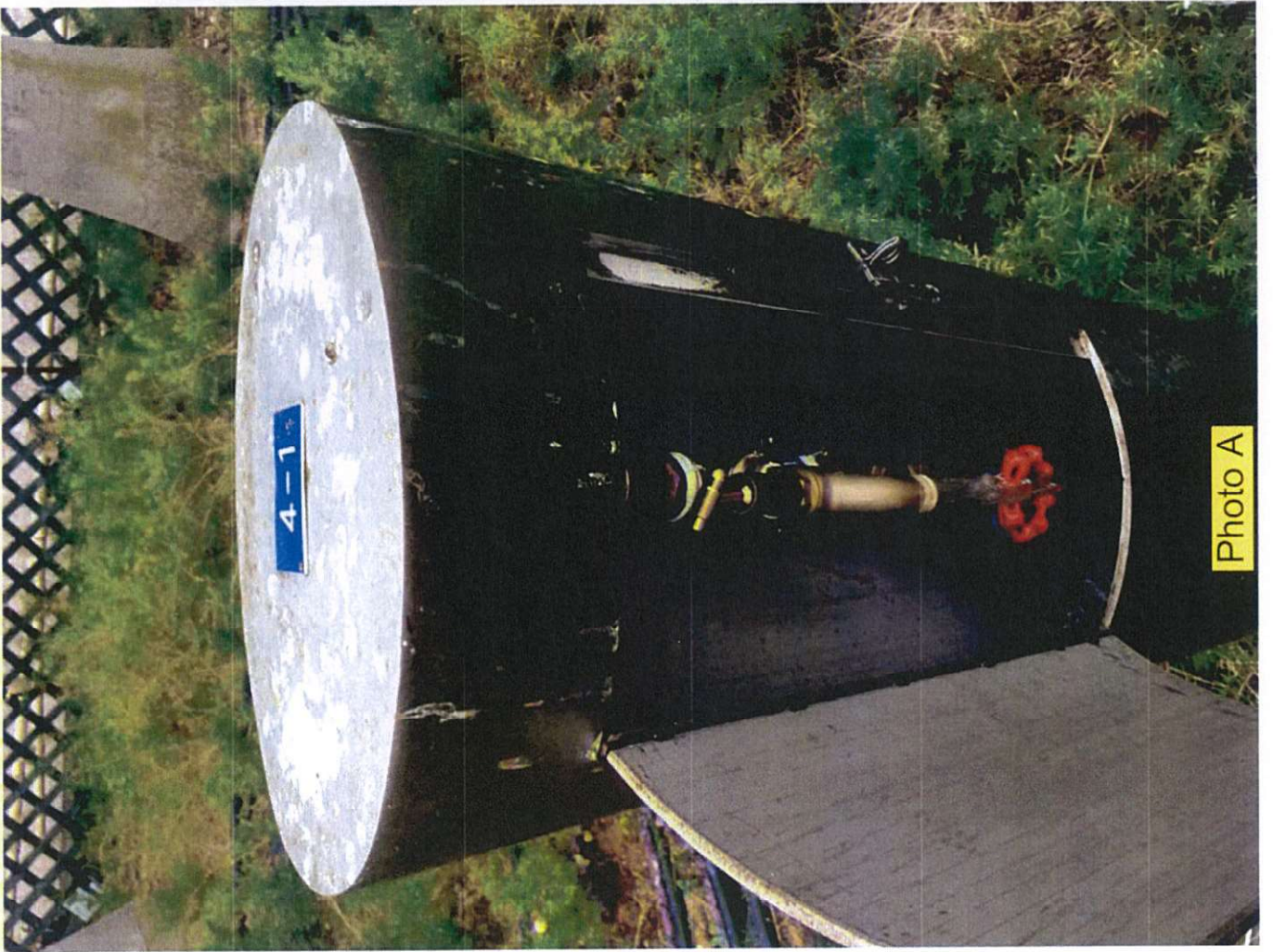


Photo A





Photo D

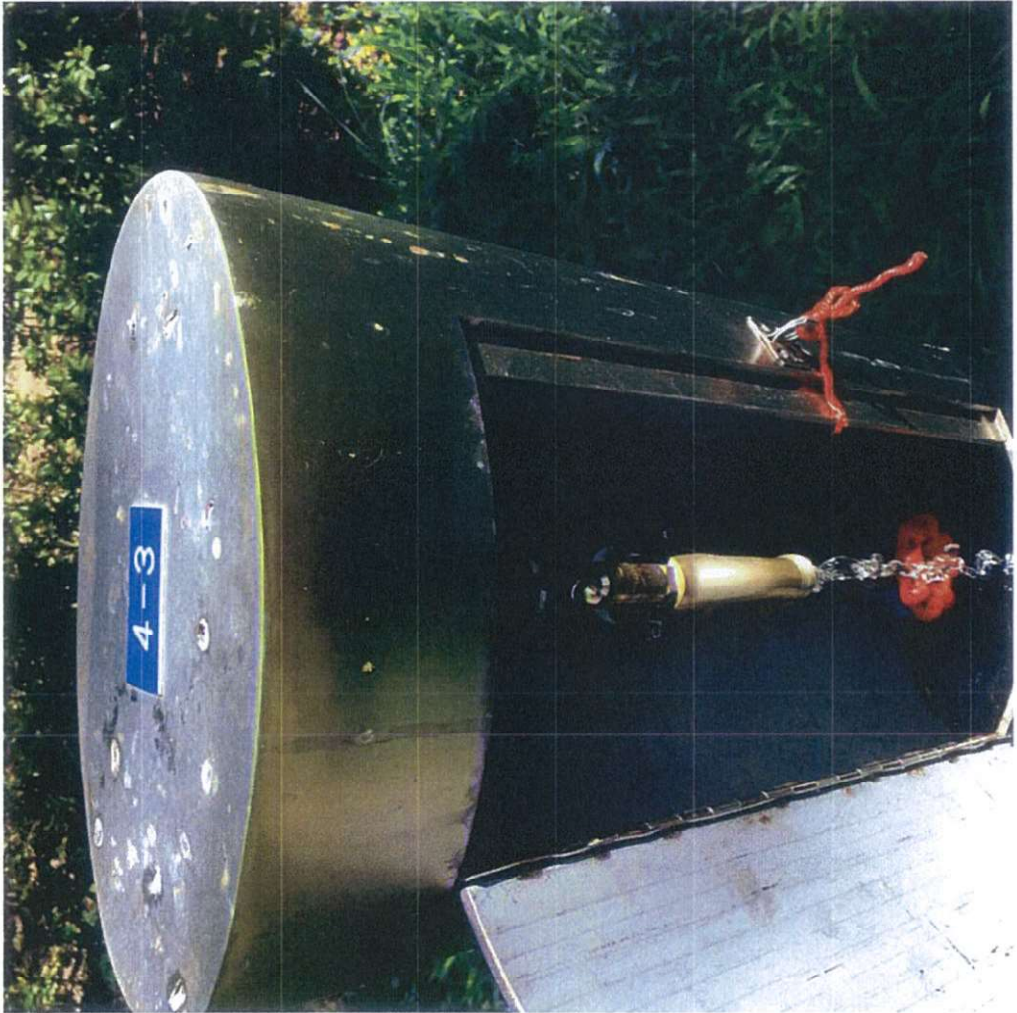


Photo C





Photo F



Photo E





Photo H

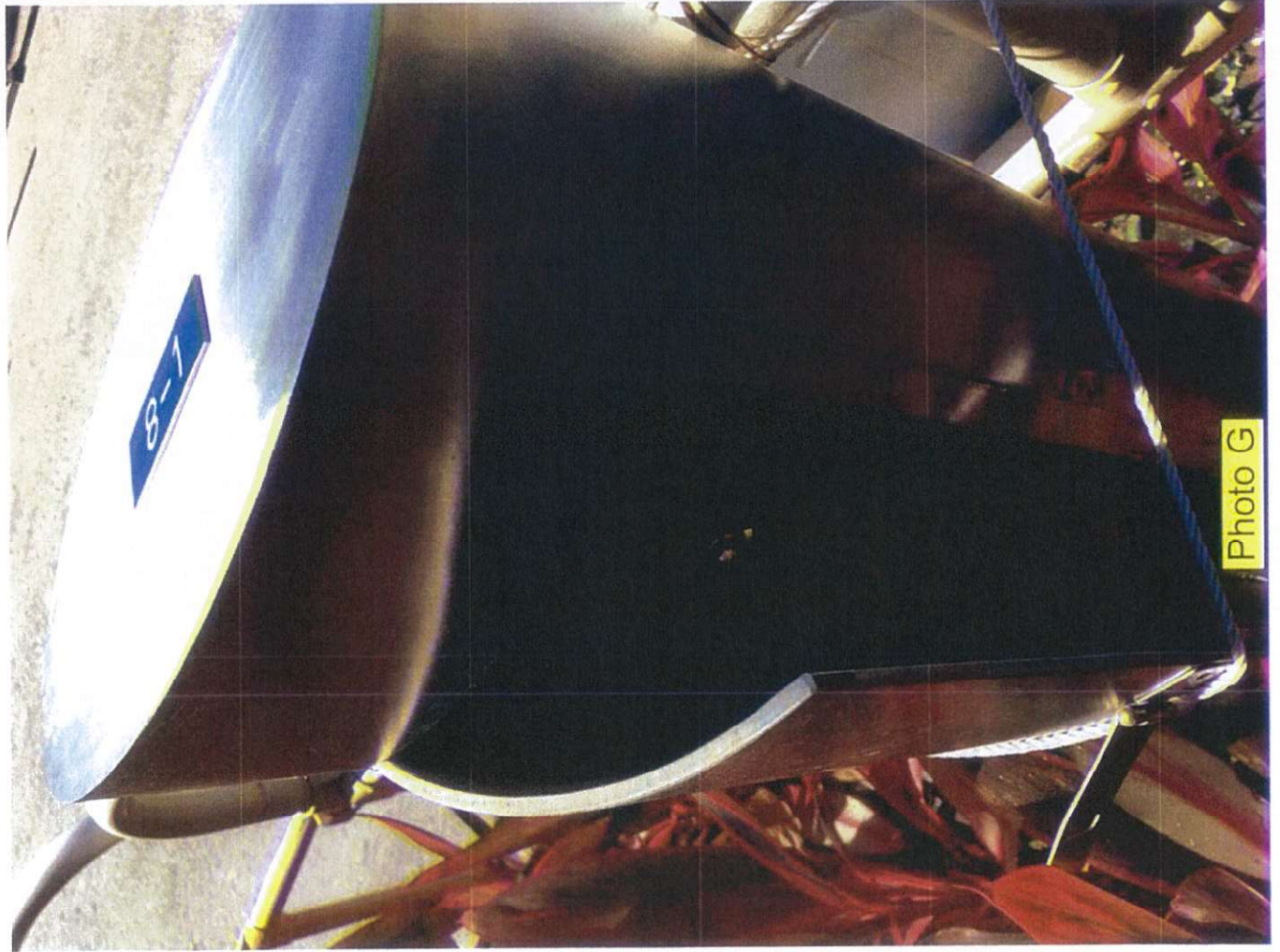


Photo G







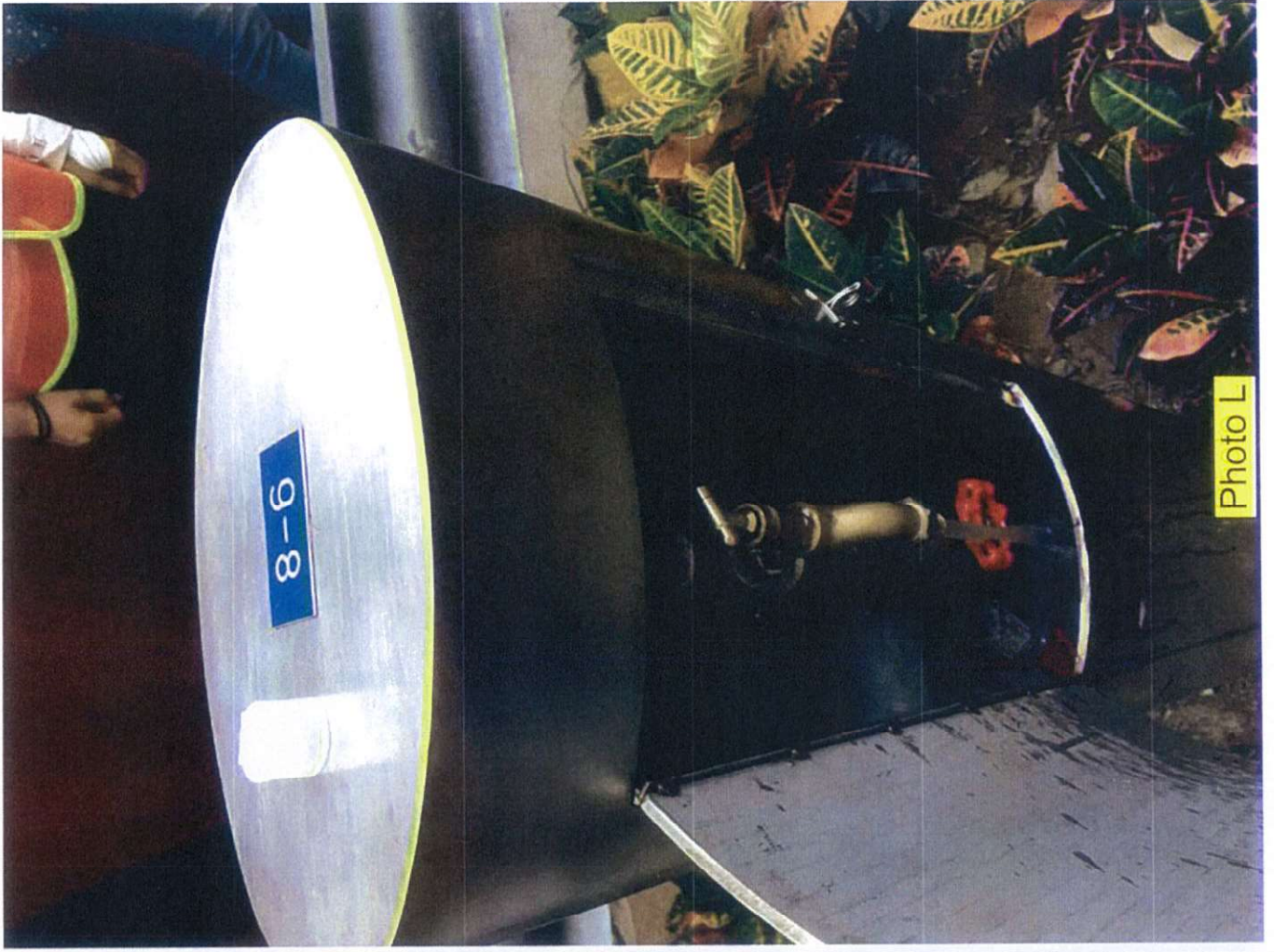


Photo L

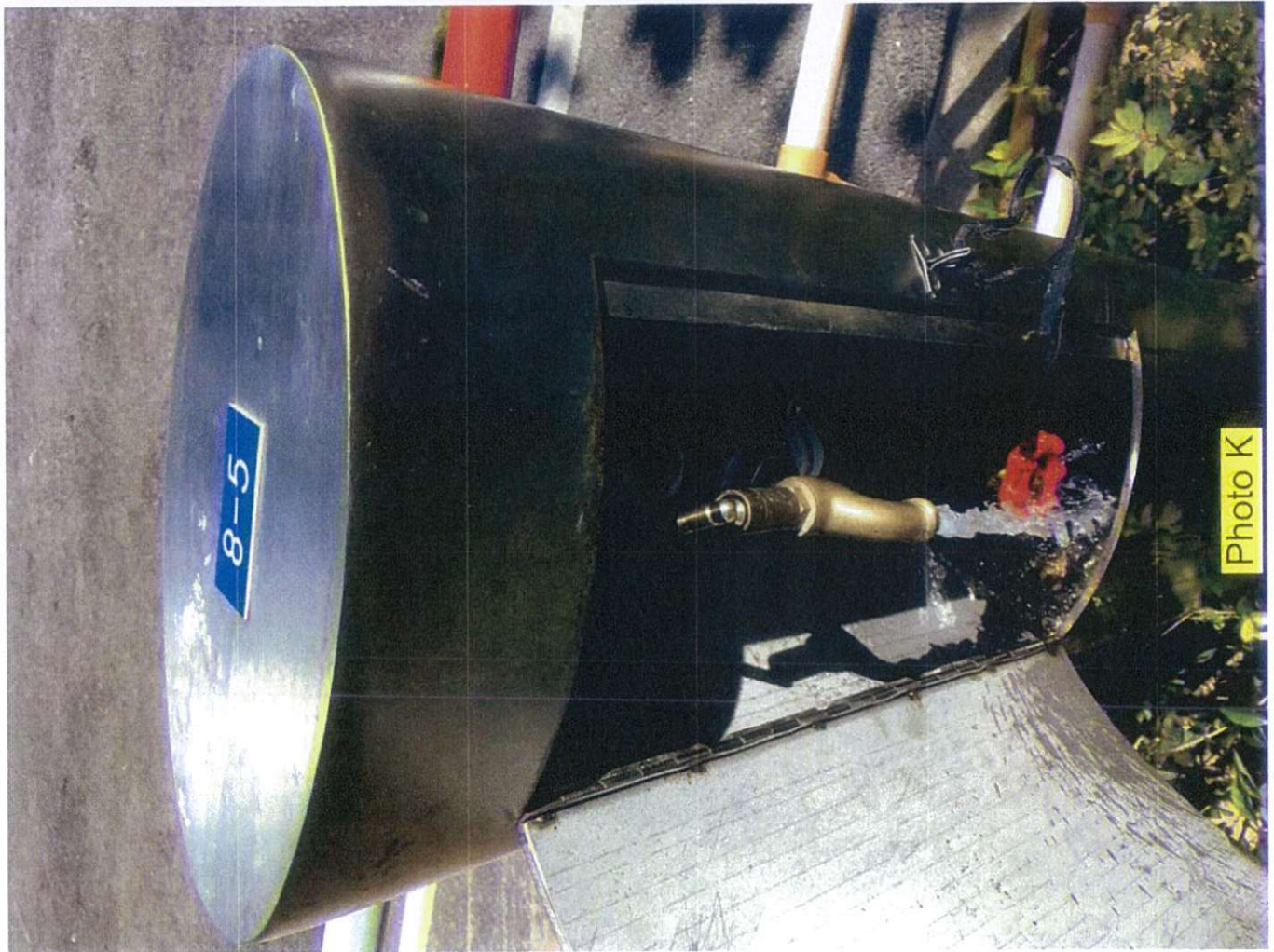


Photo K





Photo N

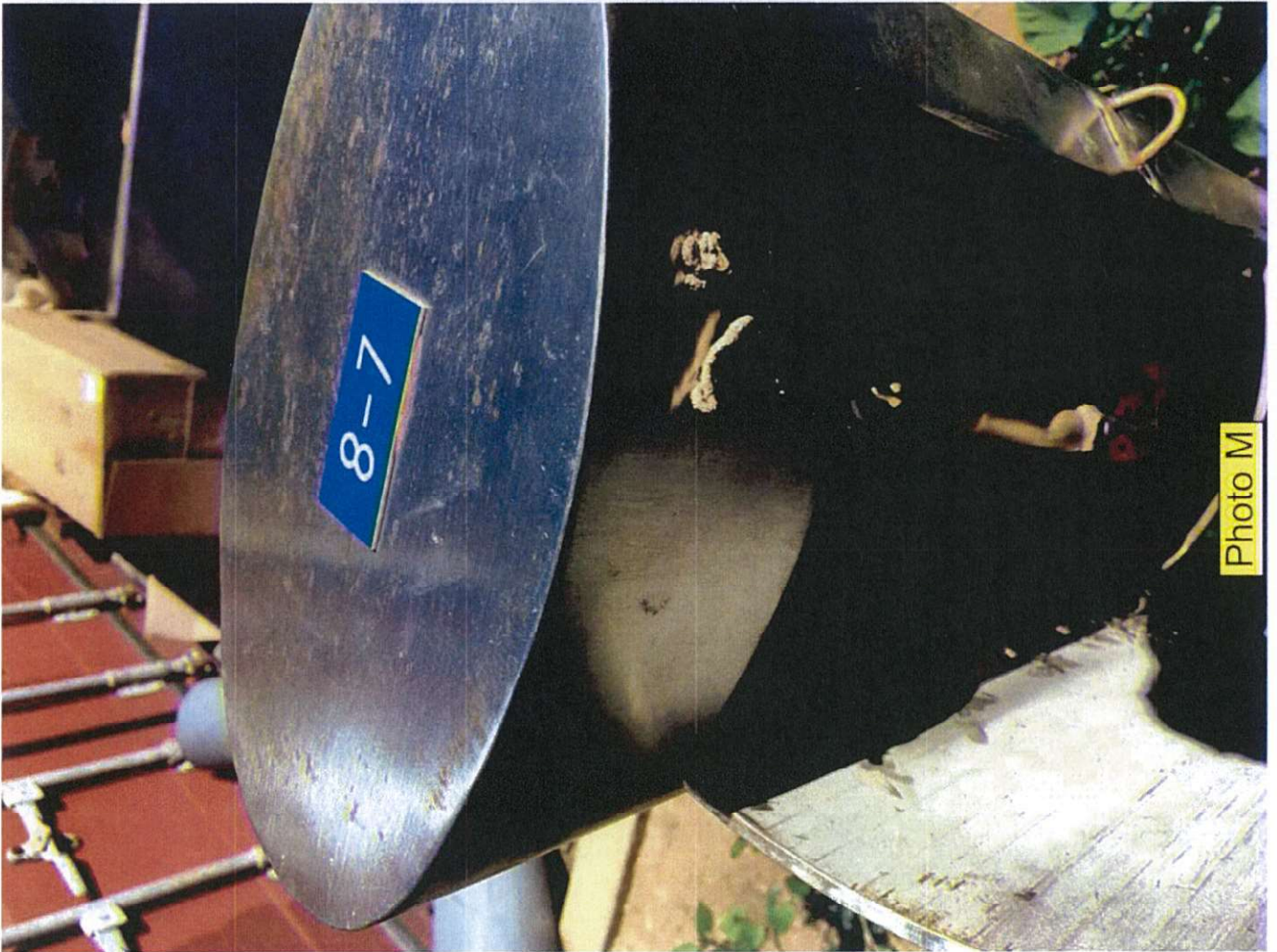


Photo M





Photo P



Photo O





Photo R



Photo Q



# **Annex D**

## **Tree Risk Assessment Form 1 Report 2018**

# Contractor's Submission Form

Ref: H2540/CSF/OPR/03370-R1  
Date: 12 April 2018



19 APR 2018



18A021048  
30 Harbour Road, Hong Kong

t: +852 2823 1111  
f: +852 2529 8784

Contract: HY/2009/18 – Central-Wan Chai Bypass - Central Interchange

To: Engineer's Representative, The Chief Resident Engineer Mr. David Kwan

Title of Submission: Tree Risk Assessment Form 1 Report 2018 (Group 6)

Specification:

We are pleased to submit the following for your review and comment

Description:

Reference is made to Variation Order No. V/155 under letter ref. CWB/(HY/2009/18)/C55/800/18B011734 dated 02 January 2018, we submit herewith the revised Tree Risk Assessment Form 1 Report (Group 6) for your record.

Purpose of Submission:

FOR APPROVAL

FOR RECORD OR INFORMATION

Contractor's Representative

Signature:

Name: Jimmy Chu  
Position: Project Manager  
Date: 12 April 2018

Distribution: JC / Jac

Prepared by:



**Tree Management Information System (TMIS) 樹木管理資訊系統**  
**Tree Risk Assessment Form 1: Tree Group Inspection**  
**樹木風險評估表格 1: 樹群檢查**

**Note:**  
 Please enable macro before using this workbook  
 請於開啟表格前啟用巨集  
 (Please Save this Workbook as xls Format)

**General Information 基本資料**

Dept. 部門/Agency 機構	HyD	Inspection Officer 巡查人員:	Mr. NG Sze Yuen, Jason	Post 職位:	C.A. ISA Cert No. HK-1229A
File Ref. 檔案編號:	C2241/18/TGD0523	Endorsement Officer 覆核人員:	Mr. HO Tai Pul, Daniel	Post 職位:	C.A. ISA Cert No. HK-0291A
Date of Inspection 巡查日期:	02/02/2018	Last Inspection Date 上次巡查日期:			
Agency 機構/Project 工程/Contract No. 合約編號	HY/2009/18				
Inspection Frequency 巡查週期:	12 months 個月				

**Location Information 位置資料**

Master Zone Departmental Ref. 主區編號:	Central				
Sub Zone Departmental Ref. 副區編號:	Central - Group 6				
English Location 英文地點:	Man Kwong Street				
Chinese Location 中文地點:	民完街				
Tree Risk Management Zone 樹木風險管理地點類別:	<input checked="" type="checkbox"/> category I 第一類 <input type="checkbox"/> category II 第二類 <input type="checkbox"/> category III 第三類				
Nearby Utility Post No. 就近公用設施編號:					
Location Types 地點類別 (multiple answers allowed 可選多於一項)	<input checked="" type="checkbox"/> Roadside Landscaped Area 路旁綠化地帶 <input type="checkbox"/> Public Park/Recreation Venue 公園 康樂場地 <input type="checkbox"/> Remote Countryside 偏遠郊區 <input type="checkbox"/> Vacant Government Land 政府空置土地 <input type="checkbox"/> Others (please specify) 其他 (請說明)				
	<input type="checkbox"/> Central Divider 中央分隔帶 <input type="checkbox"/> Tree Pit 樹穴 <input type="checkbox"/> Village Environments 鄉村範圍 <input type="checkbox"/> Unallocated Government Land 未撥用的政府土地 <input type="checkbox"/> Recreational Site/Facilities inside Country Park 郊野公園內康樂用地或設施 <input type="checkbox"/> SIMAR Slopes 系統性維修責任的斜坡				

**Tree Information 樹木基本資料**

The size of a tree group should be defined by location types, such as public park, SIMAR slopes, tree pits, etc. with due consideration given to the limitations of visual tree assessment.  
 在決定樹群的大小時，應參照地點類別，如公園、系統性維修責任的斜坡、樹槽等，並考慮目測法的局限。

Main tree species in the group (DBH ≥ 95 mm) and minority tree species of significant size (i.e. approx. DBH ≥ 300 mm) 在群組內的主要樹種 (胸徑 ≥ 95 毫米) 及少數胸徑或高度或樹冠較大的樹種 (即胸徑約 ≥ 300 毫米)	App. No. of Trees 大約樹木數量	Height (m) From 樹高 (米) 由	Height (m) To 樹高 (米) 至	Overall Health Condition 樹群健康狀況	Overall Structural Condition 樹群結構狀況
<i>Lagerstroemia speciosa</i> 大花紫薇(洋紫薇)	3	5.0	6.0	Fair 一般	Fair 一般
<i>Casuarina equisetifolia</i> 木麻黃	4	12.0	13.0	Fair 一般	Fair 一般
<i>Roystonea regia</i> 大王椰子(王棕)	59	5.0	15.0	Fair 一般	Fair 一般
<i>Michelia x alba</i> 白蜜	2	5.0	5.0	Fair 一般	Fair 一般
<i>Callistemon viminalis</i> 串錢柳	2	6.0	7.0	Fair 一般	Fair 一般
<i>Erythrina variegata</i> 刺桐	1	5.0	5.0	Fair 一般	Fair 一般
<i>Xanthostemon chrysanthus</i> 金蒲桃	3	5.0	5.0	Fair 一般	Fair 一般
<i>Khaya senegalensis</i> 非洲楝	2	5.0	6.0	Fair 一般	Fair 一般
<i>Bauhinia x blakeana</i> 洋紫荊	20	5.0	12.0	Fair 一般	Fair 一般
<i>Bauhinia variegata</i> 宮粉羊蹄甲	23	5.0	8.0	Fair 一般	Fair 一般
<i>Ficus altissima</i> 高山榕(羅樹)	6	6.0	8.0	Fair 一般	Fair 一般
<i>Senna surattensis</i> (syn. <i>Cassia surattensis</i> ) 黃槐快明(黃槐)	3	5.0	5.0	Fair 一般	Fair 一般
<i>Livistona chinensis</i> 蒲葵	13	1.5	2.0	Fair 一般	Fair 一般
<i>Wodyetia bifurcata</i> 孤尾椰(孤尾椰子)	11	4.0	6.0	Fair 一般	Fair 一般
<i>Bauhinia variegata</i> var. <i>candida</i> 白花羊蹄甲	4	5.0	7.0	Fair 一般	Fair 一般

Total No. of Trees 樹木總數:     No. of rows to be added:     Add Row    Delete Row

**Overall Remarks 整體評語**  
 This assessment recorded 156 nr. existing trees within the boundary. No registered Old and Valuable Tree or protected species was recorded. The general health and form of the trees are fair. Pruning work is recommended to the retained trees No. AT49, AT50, T1505, T1506, T1511, T1513, T1561, T1562, T1568 to T1571, T1610, T1614, T1615, T1617, T1632, T1633, T1634, T1639, T1640, T1641 and T1643.

**Target 目標**

Target (people or property potentially affected by tree/branch failure) 目標 (因樹木倒塌或枝條折斷而受影響的人或財產)

Does target exist? 目標物是否存在?     Yes / 是     No / 否

Can target be moved? 能否移除目標物?     Yes / 是     No / 否

Can the use of site be restricted? 可否限制場地的使用?     Yes / 是     No / 否

Frequency of use of location 使用該地點的頻密程度:

Occasional Use 偶爾使用     Intermittent Use 間歇使用     Frequent Use 經常使用     Constant Use 恆常使用

Identification of Trees for Remedial Action or Detailed Tree Risk Assessment (Form 2) 識別樹木以採取風險減低措施或進行詳細樹木風險評估 (表格 2)

Trees falling under the following criteria 樹木屬於以下任何一項或多於一項類別:	Number of trees 樹木數量	Remedial action or detailed tree risk assessment (Form 2) 緩減措施或詳細的樹木風險評估 (表格 2)	Anticipated Completion Date 預計完成日期	Actual Completion Date 完成日期
(1) Old and Valuable Tree (OVT) 古樹名木				
(2) Stonewall tree 石牆樹				
(3) Trees on complaint list with structural or health problems 投訴個案中有結構或健康問題的樹木				
(4) Trees belonging to species with brittle wood structure and having unsatisfactory health or structural conditions with failure potential 屬木質脆弱品種而健康或結構欠佳的面具倒塌風險的樹木				
(5) Tree with major defects or health problems 有明顯缺陷或健康問題的樹木				
(6) Trees growing in very stressful site conditions with failure potential 生長於非常擠壓環境的樹木並有樹枝或樹幹倒塌風險				
(7) Mature trees 已屆成熟樹齡				

Summary of Statistic on TRIAGE Trees 分流樹木統計總結

Black 黑		Red 紅		Yellow 黃	
---------	--	-------	--	----------	--

Attached Information 附夾資料

(Maximum 10 attachments and total 25MB allowed 最多可容納10個附件並合計不多於25MB)

Site Plan 場地平面圖  
(Provide at least 1 site plan 最少提供一個場地平面圖)

[Add Site Plan](#) [Delete Site Plan](#)

1	Attach_20180309100450.pdf	
	Description 說明: Tree location plan	

Photo Record 樹木照片  
(Provide at least 1 photo record 最少提供一個相片記錄)

[Add Photo Record](#) [Delete Photo Record](#)

1	Attach_20180309100516.JPG	
	Description 說明: General view	
2	Attach_20180309100522.JPG	
	Description 說明: General view	
3	Attach_20180309100526.JPG	
	Description 說明: General view	
4	Attach_20180309100533.JPG	
	Description 說明: General view	
5	Attach_20180309100538.JPG	
	Description 說明: General view	
6	Attach_20180309100542.JPG	
	Description 說明: General view	
7	Attach_20180327100601.jpg	
	Description 說明: General view of T1614	
8	Attach_20180327100609.JPG	
	Description 說明: Photo of T1614	
9		
	Description 說明:	

Other Attachments 其他附件 (Please specific 請註明)

[Add Others](#) [Delete Others](#)

1		
	Subject Title 標題:	
	Description 說明:	

New 1.0  
Please read in conjunction with TMO's Guidelines on Tree Risk Assessment and Management Arrangement and relevant Technical Circular promulgated on Development Bureau website: www.trees.gov.hk  
請參閱發展局網頁 www.trees.gov.hk 有關樹木風險評估及樹木管理安排之技術圓則及通告



# Tree Location Plan

EXTRACTED FROM WSR INC. DRAWING NOS. 60625653/CI/9811 - 9012 - 9011



NO.	DESCRIPTION	DATE	BY	CHECKED
1	PREPARED BY			
2	DESIGNED BY			
3	DRAWN BY			
4	CHECKED BY			
5	APPROVED BY			

SYMBOL	DESCRIPTION
(Symbol)	Tree
(Symbol)	Shrub
(Symbol)	Plant
(Symbol)	Grass
(Symbol)	Water
(Symbol)	Path
(Symbol)	Boundary

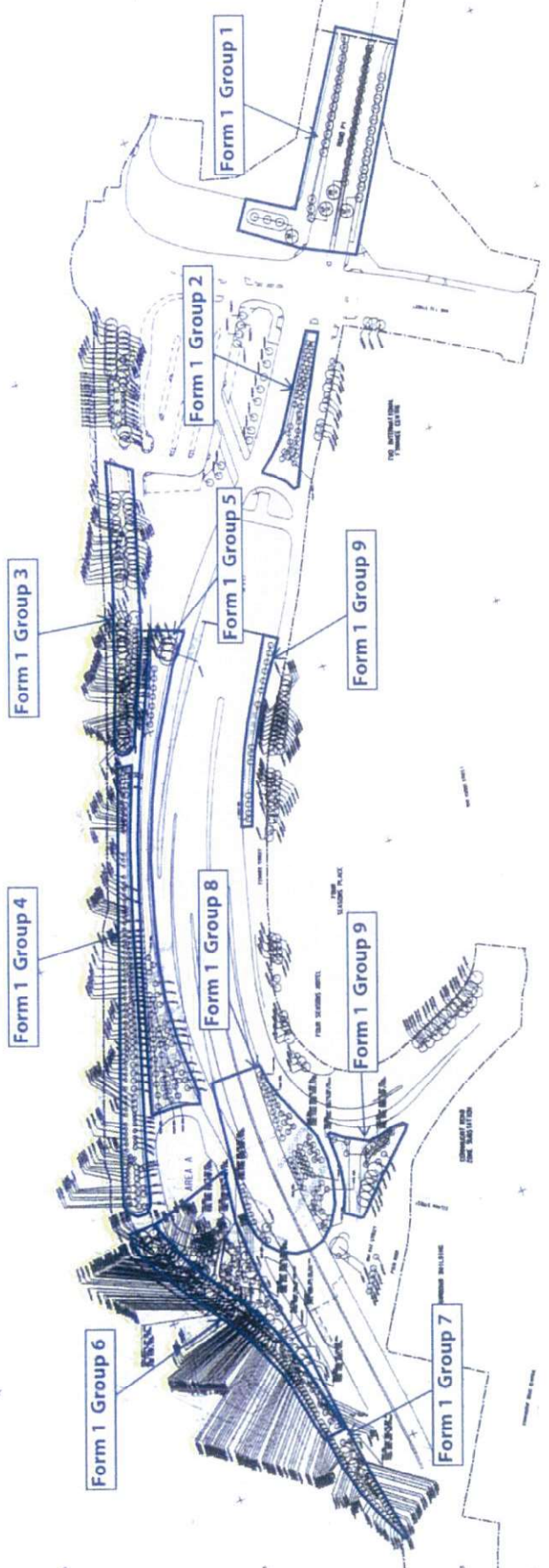




Photo Record of Tree Risk Assessment Form 1 Report - Group 6



Attach\_20180309100516



Attach\_20180309100522



Attach\_20180309100526



Attach\_20180309100533



Attach\_20180309100538



Attach\_20180309100542



Contract No.: HY/2009/18  
Central - Wan Chai Bypass - Central Interchange

Photo Record of Tree Risk Assessment Form 1 Report - Group 6



Attach\_20180327100601

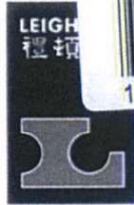


Attach\_20180327100609

# Contractor's Submission Form

Ref: H2540/CSF/OPR/03371-R0

Date: - 4 APR 2018



18A021036

- 4 APR 2018

Leighton Contractors  
(Asia) Limited

39/F Sun Hung Kai Centre  
30 Harbour Road, Hong Kong

t: +852 2823 1111  
f: +852 2529 8784

Contract: HY/2009/18 – Central-Wan Chai Bypass - Central Interchange

To: Engineer's Representative, The Chief Resident Engineer Mr. David Kwan

Title of Submission: Tree Risk Assessment Form 1 Report 2018 (Group 7)

Specification:

We are pleased to submit the following for your review and comment

Description:

Reference is made to Variation Order No. V/155 under letter ref. CWB/(HY/2009/18)/C55/800/18B011734 dated 02 January 2018, we submit herewith the Tree Risk Assessment Form 1 Report (Group 7) for your record.

Purpose of Submission:

FOR APPROVAL

FOR RECORD OR INFORMATION

Contractor's Representative

Signature:

Name: Jimmy Chu

Position: Project Manager

Date: 27 March 2018

Distribution: JC / JAC

Prepared by: WJ



**Tree Management Information System (TMIS) 樹木管理資訊系統**  
**Tree Risk Assessment Form 1: Tree Group Inspection**  
**樹木風險評估表格 1: 樹群檢查**

Note:  
Please e-mail macro before using this workbook  
(mailto:tmis@ecfd.gov.hk)  
(Please Save this Workbook as xls Format)

**General Information 基本資料**

Dept. Agency 機構	HyD	Inspection Officer 巡查人員	Mr NG Sze Yuen, Jason	Post 職位	C.A. ISA Cert No. HK-1228A
File Ref. 檔案編號	C2241/18/TGD0523	Endorsement Officer 覆核人員	Mr HO Tat Pui, Daniel	Post 職位	C.A. ISA Cert No. HK-0784A
Date of Inspection 巡查日期	02/02/2018	Last Inspection Date 上次巡查日期	10/01/2017		
Agency/Project/Work/Contract No. 合約編號	HY/2009/18				
Inspection Frequency 巡查週期	12 months 個月				

**Location Information 位置資料**

Master Zone Departmental Ref. 地區編號	Central
Sub Zone Departmental Ref. 區區編號	Central - Group 7
English Location 英文地點	Man Kwong Street and Man Kai Street
Chinese Location 中文地點	民安街和民吉街
Tree Risk Management Zone 樹木風險管理地點類別	<input checked="" type="checkbox"/> category I 第一類 <input type="checkbox"/> category II 第二類 <input type="checkbox"/> category III 第三類
Nearby Utility Post No. 附近公用設施編號	
Location Types 地點類別 (multiple answers allowed) 可選多項	<input checked="" type="checkbox"/> Roadside Landscaped Area 路旁綠化地區 <input type="checkbox"/> Public Park/Recreation Venue 公園/康樂場地 <input type="checkbox"/> Remote Countryside 偏遠郊區 <input type="checkbox"/> Vacant Government Land 政府空置土地 <input type="checkbox"/> Other (please specify) 其他 (請說明) <input type="checkbox"/> Central Divider 中央分隔帶 <input type="checkbox"/> Unutilized Government Land 未利用的政府土地 <input type="checkbox"/> Recreational Site/Facilities inside Country Park 郊野公園內康樂用地或設施 <input type="checkbox"/> SIMAR Slopes 系統性斜坡維修責任的斜坡 <input type="checkbox"/> Tree Pits 樹穴 <input type="checkbox"/> Voltage Exposed 電杆線路

**Tree Information 樹木基本資料**

The size of a tree group should be defined by location types, such as public park, SIMAR slopes, tree pits, etc. with due consideration given to the limitations of visual tree assessment.  
 在決定樹群的大小時，應考慮地點類別，例如公園、系統性斜坡維修責任的斜坡、樹穴等，並考慮目視評估的局限。

Main tree species in the group (DBH ≥ 95 mm) and minority tree species of significant size (i.e. approx. DBH ≥ 300 mm) 樹群中的主要樹種(樹徑 ≥ 95 毫米)及較少數但較大的樹種(樹徑 ≥ 300 毫米)	App. No. of Trees 約數	Height (m) From 樹高 (m) 由	Height (m) To 樹高 (m) 至	Overall Health Condition 整體健康狀況	Overall Structural Condition 整體結構狀況
(Please delete the "blank" rows before save. 保存之前，請刪除"空"行。)					
Lagerstroemia speciosa 大花紫薇(洋紫薇)	4	5.0	7.0	Fair 良	Fair 良
Roystonea regia 大王椰子(王棕)	40	5.5	10.0	Fair 良	Fair 良
Erythrina variegata 紅桐	1	5.0	5.0	Fair 良	Fair 良
Khaya senegalensis 非洲楸	0	5.0	14.0	Fair 良	Fair 良
Bauhinia x blakeana 洋紫荊	16	5.0	10.0	Fair 良	Fair 良
Bauhinia variegata 寶蓮花/洋紫荊	5	5.0	6.0	Fair 良	Fair 良
Ficus microcarpa 菩提樹(細葉榕)	5	6.0	7.0	Fair 良	Fair 良
Hibiscus tiliaceus 黃槿	4	5.0	6.0	Fair 良	Fair 良
Wodyetia bifurcata 紅地椰子	21	4.0	6.0	Fair 良	Fair 良
Terminalia mantaly 'Tricolour' 錦紫桐	8	5.0	7.0	Fair 良	Fair 良
Total No. of Trees 樹木總數	110	No. of rows to be added: 1	Add Row	Delete Row	

**Overall Remarks 整體評語**  
 This assessment recorded 110 nr. existing trees within the boundary. No registered Old and Valuable Tree or protected species was recorded. The general health and form of the trees are fair. Pruning work is recommended to the following trees: Retained trees No. T1644, T1654, T1668 to T1674, T1681, T1683, T1686, T1731, T1733, T1738, T1740 and T1741; Translated tree No. T1710.

**Target 目標**

Target (people or property potentially affected by tree/branch failure) 目標 (及樹木倒塌或枝條斷裂可能受影響的人或財產)

Does target exist? 目標物是否存在?  Yes / 是  No / 否

Can target be moved? 目標物可移動?  Yes / 是  No / 否

Can the use of site be restricted? 可否限制場地的使用?  Yes / 是  No / 否

Frequency of use of location 使用地點的頻密程度:

Occasional Use 偶爾使用  Intermittent Use 間歇使用  Frequent Use 經常使用  Constant Use 恒常使用

**Identification of Trees for Remedial Action or Detailed Tree Risk Assessment (Form 2) 識別樹木以採取風險減低措施或進行詳細樹木風險評估 (表格 2)**

Trees falling under the following criteria 樹木屬於以下任何一項的樹木	Number of trees 樹木數目	Remedial action or detailed tree risk assessment (Form 2) 採取的減低風險措施或詳細樹木風險評估 (表格 2)	Anticipated Completion Date 預計完成日期	Actual Completion Date 實際完成日期

(1) Old and Valuable Tree (OVT) 古樹名木				
(2) Stonewall tree 石牆樹				
(3) Trees on complaint list with structural or health problems 投訴個案中有結構或健康問題的樹木				
(4) Trees belonging to species with brittle wood structure and having unsatisfactory health or structural conditions with failure potential 屬木質脆弱品種而健康或結構欠佳的有倒塌風險的樹木				
(5) Tree with major defects or health problems 有明顯缺陷或健康問題的樹木				
(6) Trees growing in very stressful site conditions with failure potential 生長於非常擠壓環境的樹木並有樹枝或樹幹倒塌風險				
(7) Mature trees 已屆成熟樹齡				

Summary of Statistic on TRIAGE Trees 分流樹木統計總結

Black 黑		Red 紅		Yellow 黃	
---------	--	-------	--	----------	--

Attached information 附夾資料

(Maximum 10 attachments and total 25MB allowed 最多可容納10個附件並合計不多於25MB)

Site Plan 場地平面圖 Add Site Plan Delete Site Plan  
 (Provide at least 1 site plan 最少提供一個場地平面圖)

1	Attach_20180308122546.pdf	Description 說明: Tree location plan
---	---------------------------	------------------------------------

Photo Record 樹木照片 Add Photo Record Delete Photo Record  
 (Provide at least 1 photo record 最少提供一個相片記錄)

1	Attach_20180308144534.JPG	Description 說明: General view
2	Attach_20180308144539.JPG	Description 說明: General view
3	Attach_20180308144543.JPG	Description 說明: General view
4	Attach_20180308144547.JPG	Description 說明: General view
5	Attach_20180308144551.JPG	Description 說明: General view
6	Attach_20180308144554.JPG	Description 說明: General view
7		Description 說明:
8		Description 說明:
9		Description 說明:

Other Attachments 其他附件 (Please specific 請註明) Add Others Delete Others

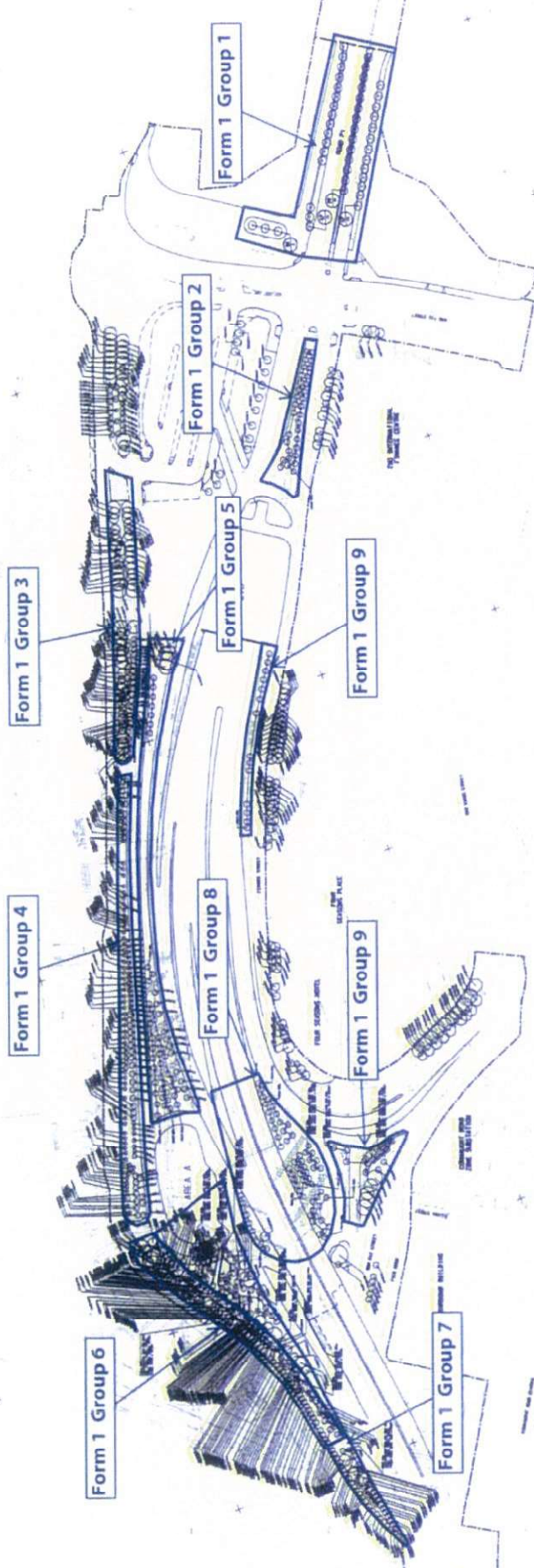
1		Subject Title 標題:	
		Description 說明:	

Note 注意

Please read in conjunction with TMU's Guidelines on Tree Risk Assessment and Management Arrangement and relevant Technical Circulars promulgated on Development Bureau website www.trees.gov.hk  
 請參閱發展局網頁 www.trees.gov.hk 樹木管理辦事處的樹木風險評估安排及管理指引及相關技術通告



SCHEDULE OF MATERIALS	
NO.	DESCRIPTION
1	...
2	...
3	...
4	...
5	...
6	...
7	...
8	...
9	...
10	...
11	...
12	...
13	...
14	...
15	...
16	...
17	...
18	...
19	...
20	...
21	...
22	...
23	...
24	...
25	...
26	...
27	...
28	...
29	...
30	...
31	...
32	...
33	...
34	...
35	...
36	...
37	...
38	...
39	...
40	...
41	...
42	...
43	...
44	...
45	...
46	...
47	...
48	...
49	...
50	...



Tree Location Plan

EXTRACTED FROM WERK INC. DRAWING NO. 60025653/CL/9011. 9012. 9013.



Photo Record of Tree Risk Assessment Form I Report - Group 7



Attach\_20180308144534



Attach\_20180308144539



Attach\_20180308144543



Attach\_20180308144547



Attach\_20180308144551



Attach\_20180308144554



# Contractor's Submission Form



Leighton Contractors  
(Asia) Limited

39/F Sun Hung Kai Centre  
30 Harbour Road, Hong Kong

t: +852 2823 1111  
f: +852 2529 8784

Ref: H2540/CSF/OPR/03372-R0

Date: - 4 APR 2018

Contract: HY/2009/18 – Central-Wan Chai Bypass - Central Interchange

To: Engineer's Representative, The Chief Resident Engineer Mr. David Kwan

Title of Submission: Tree Risk Assessment Form 1 Report 2018 (Group 8)

Specification:

We are pleased to submit the following for your review and comment

Description:

Reference is made to Variation Order No. V/155 under letter ref. CWB/(HY/2009/18)/C55/800/18B011734 dated 02 January 2018, we submit herewith the Tree Risk Assessment Form 1 Report (Group 8) for your record.

Purpose of Submission:

FOR APPROVAL

FOR RECORD OR INFORMATION

Contractor's Representative

Signature:

Name: Jimmy Chu

Position: Project Manager

Date: 27 March 2018

Distribution: JC / J&C

Prepared by:

Tree Management Information System (TMIS) 樹木管理資訊系統  
Tree Risk Assessment Form 1: Tree Group Inspection  
樹木風險評估表格 1: 樹群檢查

Note:  
Please enable macro before using this workbook  
(Please Save this Workbook as a PDF Form)

General Information 基本資料

Dept. 部門/Agency 機構	HyD	Inspection Officer 巡查人員	Mr NG Sze Yuen Jaso	Post 職位	C.A. ISA Cert No. HK-1229A
File Ref. 檔案編號	C2241/18/TGD0523	Endorsement Officer 覆核人員	Mr. HO Tai Pul Daniel	Post 職位	C.A. ISA Cert No. HK-0784A
Date of Inspection 巡查日期	02/02/2018	Last Inspection Date 上次巡查日期			
Agency 機構/Project 工程/Contract No. 合約編號	HY/2009/18				
Inspection Frequency 巡查週期	12 months 個月				

Location Information 位置資料

Master Zone Departmental Ref. 主區編號	Central
Sub Zone Departmental Ref. 副區編號	Central - Group 8
English Location 英文地點	Kong Chung Lane
Chinese Location 中文地點	港中環
Tree Risk Management Zone 樹木風險管理地點類別	<input checked="" type="checkbox"/> category I 第一類 <input type="checkbox"/> category II 第二類 <input type="checkbox"/> category III 第三類
Nearby Utility Post No. 附近公用設施編號	
Location Types 地點類別 (multiple answers allowed 可選多於一項)	<input checked="" type="checkbox"/> Roadside Landscaped Area 路旁綠化地區 <input type="checkbox"/> Public Park/Recreation Venue 公園/康樂場地 <input type="checkbox"/> Remote Countryside 偏遠郊區 <input type="checkbox"/> Vacant Government Land 政府空置土地 <input type="checkbox"/> Other (please specify) 其他 (請說明) <input type="checkbox"/> Central District 中央區 <input type="checkbox"/> Unallocated Government Land 未撥用的政府土地 <input type="checkbox"/> Recreational Site Facilities inside Country Park 郊野公園內康樂用地或設施 <input type="checkbox"/> Tree Pit 樹穴 <input type="checkbox"/> Village Enclave 鄉村基圍 <input type="checkbox"/> SIMLAR Slopes 系統性斜坡維修責任斜坡

Tree Information 樹木基本資料

The size of a tree group should be defined by location types such as public park, SIMLAR slopes, tree pits, etc. with due consideration given to the limitations of visual tree assessment.

在決定樹群的大小時，應參照地點類別，如公園、系統性斜坡維修責任斜坡、樹穴等，並考慮目視法的地點。

Main tree species in the group (DBH ≥ 95 mm) and minority tree species of significant size (i.e. approx. DBH ≥ 300 mm) 在樹群中的主要樹種 (胸徑 ≥ 95 毫米) 及少數樹種或次要樹種 (胸徑 ≥ 300 毫米)	App. No. of Trees 大約樹木數目	Height (m) From 樹高 (米) 由	Height (m) To 樹高 (米) 至	Overall Health Condition 樹木健康狀況	Overall Structural Condition 樹木結構狀況
(Please delete the "blank" rows before save 保存之前，請刪除"空白"的行)					
Ficus altissima 高山榕(榕樹)	1	6.0	6.0	Fair 良	Fair 良
Tabebuia chrysantha (syn. Tabebuia chrysothicha) 黃檀木(豆科木)	32	5.0	6.5	Fair 良	Fair 良
Terminalia mantaly 'Tricolour' 錦葵樹	15	5.0	6.5	Fair 良	Fair 良
Bauhinia variegata var. candida 白花洋紫荊	7	5.0	6.0	Fair 良	Fair 良
Xanthostemon chrysanthus 金黃桃	8	5.0	6.5	Fair 良	Fair 良

Total No. of Trees 樹木總數: 63      No. of rows to be added: 1      Add Row      Delete Row

Overall Remarks 整體評語

This assessment recorded 63 nr. existing trees within the boundary. No registered Old and Valuable Tree or protected species was recorded. The general health and form of the trees are fair.

Target 目標

Target (people or property potentially affected by tree/branch failure) 目標 (因樹木倒塌或枝條斷裂而受影響的人或財產)

Does target exist? 目標是否存在?  Yes / 是  No / 否

Can target be moved? 能否移動目標?  Yes / 是  No / 否

Can the use of site be restricted? 可否限制場地的使用?  Yes / 是  No / 否

Frequency of use of location 該地點的用途頻率:

Occasional Use 偶爾使用       Intermittent Use 間歇使用       Frequent Use 經常使用       Constant Use 恆常使用

Identification of Trees for Remedial Action or Detailed Tree Risk Assessment (Form 2) 識別樹木以採取風險減低措施或進行詳細樹木風險評估 (表格 2)

Trees falling under the following criteria 符合以下任何一項或多項的樹木	Number of trees 樹木數目	Remedial action or detailed tree risk assessment (Form 2) 採取風險減低措施或進行詳細評估 (表格 2)	Anticipated Completion Date 預計完成日期	Actual Completion Date 實際完成日期
(1) Old and Valuable Tree (OVT) 古樹名木				



(2) Stonewall tree 石牆樹				
(3) Trees on complaint list with structural or health problems 投訴個案中有結構或健康問題的樹				
(4) Trees belonging to species with brittle wood structure and having unsatisfactory health or structural conditions with failure potential 屬木質脆弱品種而健康或結構欠佳而具倒塌風險的樹				
(5) Tree with major defects or health problems 有明显缺陷或健康問題的樹				
(6) Trees growing in very stressful site conditions with failure potential 生長於非常擠壓環境的樹，並有樹枝或樹幹倒塌風險				
(7) Mature trees 已屆成熟樹齡				

Summary of Statistic on TRIAGE Trees 分流樹木統計總結

Black 黑		Red 紅		Yellow 黃	
---------	--	-------	--	----------	--

Attached Information 附夾資料

(Maximum 10 attachments and total 25MB allowed 最多可容納10個附件並合計不多於25MB)

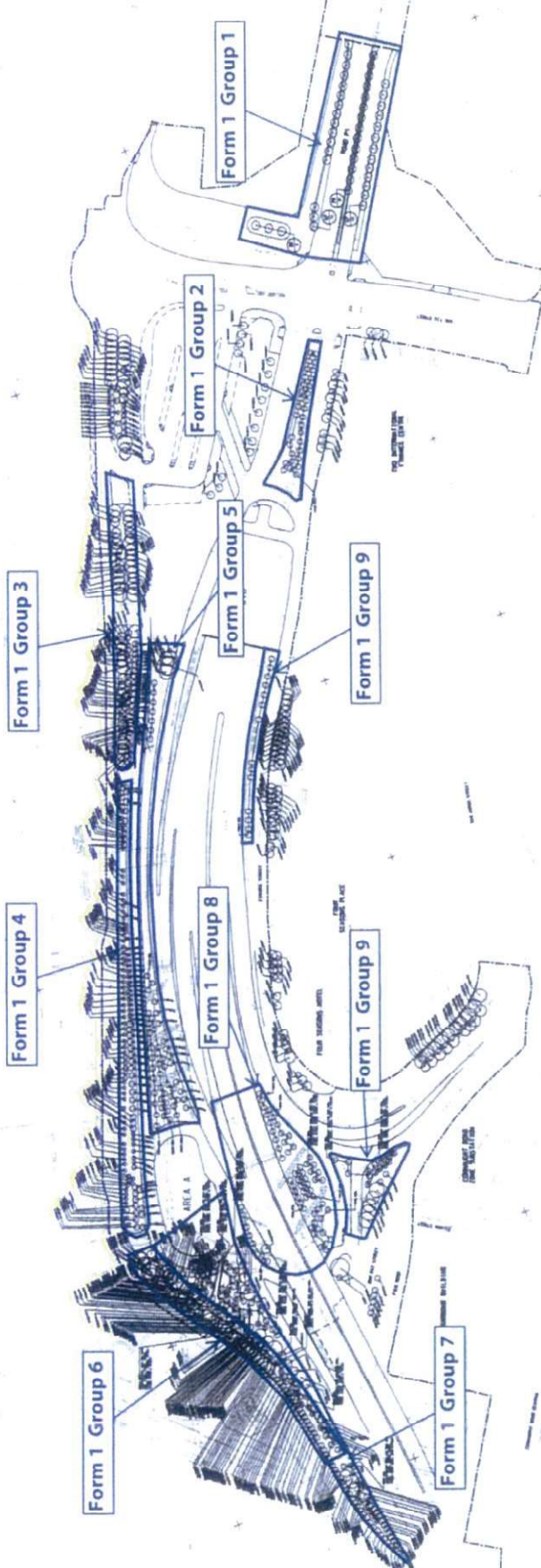
Site Plan 場地平面圖 Add Site Plan Delete Site Plan  
 (Provide at least 1 site plan 最少提供一個場地平面圖)  
 1 Attach\_20180223123117.pdf  
 Description 說明: Tree Location Plan

Photo Record 樹木照片 Add Photo Record Delete Photo Record  
 (Provide at least 1 photo record 最少提供一個相片記錄)  
 1 Attach\_20180308174821.JPG  
 Description 說明: General View  
 2 Attach\_20180308174826.JPG  
 Description 說明: General View  
 3 Attach\_20180308174829.JPG  
 Description 說明: General View  
 4 Attach\_20180308174834.JPG  
 Description 說明: General View  
 5 Attach\_20180308174839.JPG  
 Description 說明: General View  
 6 Attach\_20180308174844.JPG  
 Description 說明: General View  
 7  
 Description 說明:  
 8  
 Description 說明:  
 9  
 Description 說明:

Other Attachments 其他附件 (Please specific 請註明) Add Others Delete Others  
 1  
 Subject Title 標題:  
 Description 說明:

Note 注意  
 Please read in conjunction with TM's Guidelines on Tree Risk Assessment and Management Arrangement and related Technical Circulars promulgated on Development Bureau website www.trees.gov.hk  
 請參閱發展局網頁 www.trees.gov.hk 載有「管理樹木的樹木風險評估安排及管理指引」及相關技術通告。

NO.	SYMBOL	DESCRIPTION
1	(Symbol)	...
2	(Symbol)	...
3	(Symbol)	...
4	(Symbol)	...
5	(Symbol)	...
6	(Symbol)	...
7	(Symbol)	...
8	(Symbol)	...
9	(Symbol)	...
10	(Symbol)	...
11	(Symbol)	...
12	(Symbol)	...
13	(Symbol)	...
14	(Symbol)	...
15	(Symbol)	...
16	(Symbol)	...
17	(Symbol)	...
18	(Symbol)	...
19	(Symbol)	...
20	(Symbol)	...
21	(Symbol)	...
22	(Symbol)	...
23	(Symbol)	...
24	(Symbol)	...
25	(Symbol)	...
26	(Symbol)	...
27	(Symbol)	...
28	(Symbol)	...
29	(Symbol)	...
30	(Symbol)	...
31	(Symbol)	...
32	(Symbol)	...
33	(Symbol)	...
34	(Symbol)	...
35	(Symbol)	...
36	(Symbol)	...
37	(Symbol)	...
38	(Symbol)	...
39	(Symbol)	...
40	(Symbol)	...
41	(Symbol)	...
42	(Symbol)	...
43	(Symbol)	...
44	(Symbol)	...
45	(Symbol)	...
46	(Symbol)	...
47	(Symbol)	...
48	(Symbol)	...
49	(Symbol)	...
50	(Symbol)	...



Tree Location Plan

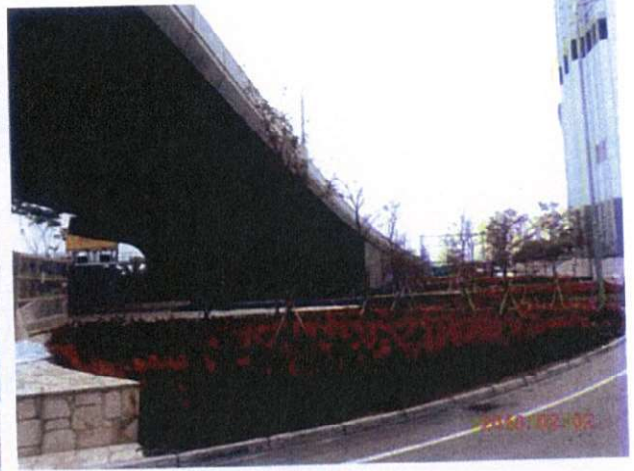
EXTRACTED FROM WORK INC. DRAWING NO. 6005653/CL/9811 - 9017 - 9011



Photo Record of Tree Risk Assessment Form 1 Report - Group 8



Attach\_20180308174821



Attach\_20180308174826



Attach\_20180308174829



Attach\_20180308174834



Attach\_20180308174839



Attach\_20180308174844

# Contractor's Submission Form



18A021028

eighton Contractors  
Asia) Limited

9/F Sun Hung Kai Centre  
30 Harbour Road, Hong Kong

t: +852 2823 1111  
f: +852 2529 8784

Ref: H2540/CSF/OPR/03373-R0

Date: - 4 APR 2018

- 4 APR 2018

Contract: HY/2009/18 – Central-Wan Chai Bypass - Central Interchange

To: Engineer's Representative, The Chief Resident Engineer Mr. David Kwan

Title of Submission: Tree Risk Assessment Form 1 Report 2018 (Group 9)

Specification:

We are pleased to submit the following for your review and comment

Description:

Reference is made to Variation Order No. V/155 under letter ref. CWB/(HY/2009/18)/C55/800/18B011734 dated 02 January 2018, we submit herewith the Tree Risk Assessment Form 1 Report (Group 9) for your record.

Purpose of Submission:

FOR APPROVAL

FOR RECORD OR INFORMATION

Contractor's Representative

Signature:

Name: Jimmy Chu

Position: Project Manager

Date: 27 March 2018

Distribution: JC /

Prepared by:



**Tree Management Information System (TMIS) 樹木管理資訊系統**  
**Tree Risk Assessment Form 1: Tree Group Inspection**  
**樹木風險評估表格 1: 樹群檢查**

Note:  
 Please enable macro before using this worksheet  
 (Please Save this Worksheet as a Template)

**General Information 基本資料**

Dept. / Agency 部門/機構	HyD	Inspection Officer 巡查人員	Mr. NG Sze Yuen, Jason	Post 職位	C.A. ISA Cert No. HK-1228A
File Ref. 檔案編號	C2241/18/TGD0523	Endorsement Officer 審核人員	Mr. HO Tai Pui, Daniel	Post 職位	C.A. ISA Cert No. HK-0794A
Date of Inspection 巡查日期	02/02/2018	Last Inspection Date 上次巡查日期	10/01/2017		
Agency 機構 / Project 工程 / Contract No. 合約編號	HY/2009/18				
Inspection Frequency 巡查週期	12 months 每月				

**Location Information 位置資料**

Master Zone Departmental Ref. 區區編號	Central				
Sub Zone Departmental Ref. 區區編號	Central - Group 9				
English Location 英文地址	Kong Chung Lane				
Chinese Location 中文地址	康中街				
Tree Risk Management Zone 樹木風險管理區	<input checked="" type="checkbox"/> category I 第一類	<input type="checkbox"/> category II 第二類	<input type="checkbox"/> category III 第三類		
Nearby Utility Post No. 附近公用設施編號					
Location Types 地點類別 (multiple answers allowed 可選多項)	<input checked="" type="checkbox"/> Residential/Developed Area 住宅/發展地帶	<input type="checkbox"/> Central District 中區	<input type="checkbox"/> Tree Pits 樹穴	<input type="checkbox"/> Air-Conditioning Units 空調機位	
	<input type="checkbox"/> Public Park Recreation Area 公園/康樂場地	<input type="checkbox"/> Undeveloped Government Land 政府未發展土地	<input type="checkbox"/> Roadside 路邊	<input type="checkbox"/> Air-Conditioning Units 空調機位	
	<input type="checkbox"/> Remote Location 偏遠地區	<input type="checkbox"/> Residential Site/Developed/Construction Park 住宅/發展/建築公園	<input type="checkbox"/> Roadside 路邊	<input type="checkbox"/> Air-Conditioning Units 空調機位	
	<input type="checkbox"/> Near Government Land 政府土地	<input type="checkbox"/> Roadside 路邊	<input type="checkbox"/> Roadside 路邊	<input type="checkbox"/> Air-Conditioning Units 空調機位	
	<input type="checkbox"/> Other (Please specify in Remarks) 其他 (請在備註中說明)				

**Tree Information 樹木基本資料**

The size of a tree group should be defined by location types, such as public park, SIMAR slopes, tree pits, etc. with due consideration given to the limitations of visual tree assessment.

Main tree species in the group (DBH ≥ 95 mm) and minority tree species of significant size (i.e. approx. DBH ≥ 300 mm) 在樹群中的主要樹種 (DBH ≥ 95 mm) 及次要樹種 (DBH ≥ 300 mm)	App. No. of Trees 約樹數	Height (m) From 樹高 (m)	Height (m) To 樹高 (m)	Overall Health Condition 整體健康狀況	Overall Structural Condition 整體結構狀況
(Please delete the "blank" rows before save)					
Khaya senegalensis 柚木	7	5.0	10.0	Fair 良	Fair 良
Tabebuia chrysantha (syn. Tabebuia chrysothicha) 黃木	5	5.0	6.0	Fair 良	Fair 良
Xanthostemon chrysanthus 金銀花	14	5.0	6.5	Fair 良	Fair 良
Wodyetia bifurcata 紅花白樹 (紅花白樹)	10	4.0	5.5	Fair 良	Fair 良
Total No. of Trees 樹木總數	36	No. of rows to be added: 1	Add Row	Delete Row	

**Overall Remarks 整體評語**

This assessment recorded 36 existing trees within the boundary. No registered Old and Valuable Tree or protected species was recorded. The general health and form of the trees are fair. Pruning work is recommended to the retained trees No. T1860 to T1866 and the Wodyetia bifurcata (10 Nos).

**Target 目標**

Target (people or property potentially affected by tree/branch failure) 目標 (可能受樹或樹枝倒塌影響的人或財產)

Does target exist? 目標是否存在?	<input checked="" type="checkbox"/> Yes / 是	<input type="checkbox"/> No / 否		
Can target be moved? 能否移動目標?	<input type="checkbox"/> Yes / 是	<input checked="" type="checkbox"/> No / 否		
Can the use of site be restricted? 可否限制地帶用途?	<input type="checkbox"/> Yes / 是	<input checked="" type="checkbox"/> No / 否		
Frequency of use of location 使用地點的頻密程度	<input type="checkbox"/> Occasional Use 偶爾使用	<input type="checkbox"/> Intermittent Use 間斷使用	<input checked="" type="checkbox"/> Frequent Use 頻密使用	<input checked="" type="checkbox"/> Constant Use 持續使用

**Identification of Trees for Remedial Action or Detailed Tree Risk Assessment (Form 2) 識別樹木以採取風險減低措施或進行詳細樹木風險評估 (表格 2)**

Trees falling under the following criteria 符合下列條件的樹木 (填多於一項均可)	Number of trees 樹木數量	Remedial action or detailed tree risk assessment (Form 2) 擬採取的措施 / 樹木風險評估 (表格 2)	Anticipated Completion Date 預計完成日期	Actual Completion Date 實際完成日期
(1) Old and Valuable Tree (OVT) 古樹名木				
(2) Stone-wall tree 石圍樹				

(3) Trees on complaint list with structural or health problems 投訴個案中有結構或健康問題的樹木				
(4) Trees belonging to species with brittle wood structure and having unsatisfactory health or structural conditions with failure potential 屬木質脆弱品種而健康或結構欠佳的面積倒塌風險的樹木				
(5) Tree with major defects or health problems 有明顯缺陷或健康問題的樹木				
(6) Trees growing in very stressful site conditions with failure potential 生長於非常擠壓環境的樹木並有樹枝或樹幹倒塌風險				
(7) Mature trees 已達成熟樹齡				

Summary of Statistic on TRIAGE Trees 分級樹木統計總結

Black 黑		Red 紅		Yellow 黃	
---------	--	-------	--	----------	--

Attached Information 附夾資料

(Maximum 10 attachments and total 25MB allowed 最多可容納10個附件並合計不多於25MB)

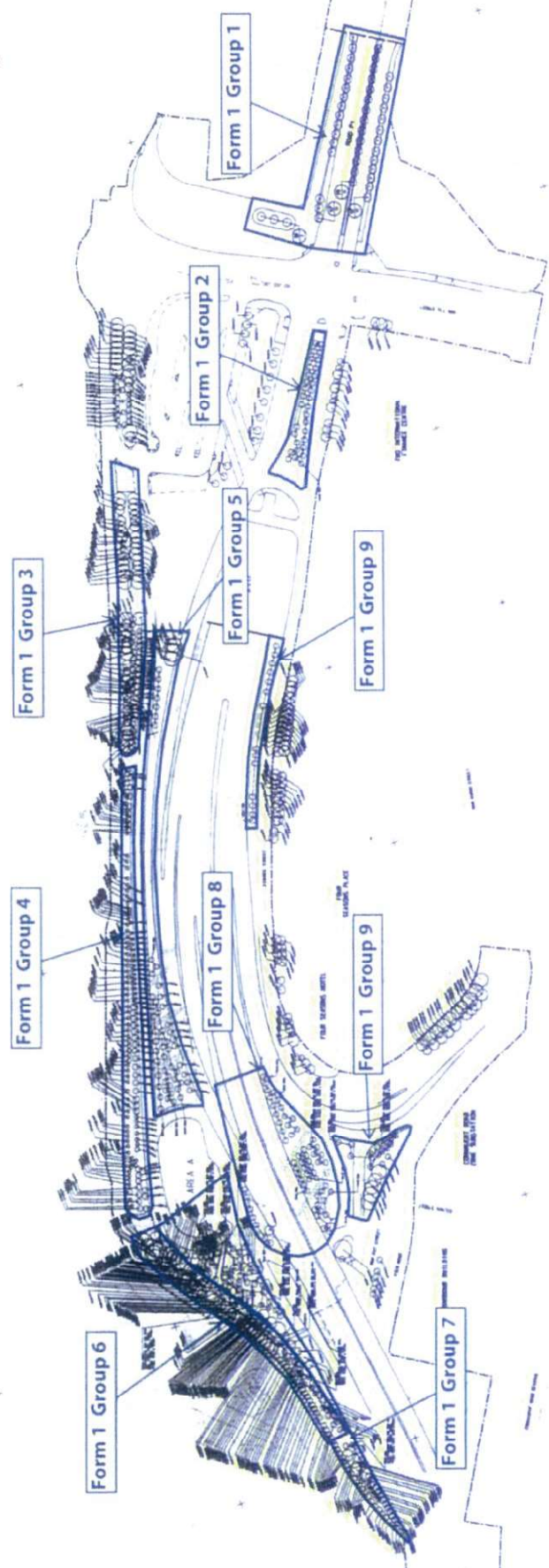
Site Plan 場地平面圖 (Provide at least 1 site plan 最少提供一個場地平面圖)		Add Site Plan	Delete Site Plan
1	Attach_20180223124141.pdf Description 說明: Tree Location Plan		
Photo Record 樹木照片 (Provide at least 1 photo record 最少提供一個相片紀錄)		Add Photo Record	Delete Photo Record
1	Attach_20180308175757.JPG Description 說明: General View		
2	Attach_20180223124207.JPG Description 說明: General View		
3	Attach_20180223124212.JPG Description 說明: General View		
4	Attach_20180223124219.JPG Description 說明: General View		
5	Attach_20180223124224.JPG Description 說明: General View		
6	Attach_20180223124229.JPG Description 說明: General View		
7	Description 說明:		
8	Description 說明:		
9	Description 說明:		
Other Attachments 其他附件 (Please specific 請詳列)		Add Others	Delete Others
1	Subject Title 標題: Description 說明:		

Notes 注意

Please read in conjunction with TMS's Guidelines on Tree Risk Assessment and Management Arrangement and relevant Technical Circulars promulgated on Development Bureau website www.trees.gov.hk  
請參閱有關網頁 www.trees.gov.hk 內，有關樹木的評估及管理工作，及相關技術通告。



SYMBOLS AND NOTATION	
	Form 1 Group 1
	Form 1 Group 2
	Form 1 Group 3
	Form 1 Group 4
	Form 1 Group 5
	Form 1 Group 6
	Form 1 Group 7
	Form 1 Group 8
	Form 1 Group 9
	Form 1 Group 10
	Form 1 Group 11
	Form 1 Group 12
	Form 1 Group 13
	Form 1 Group 14
	Form 1 Group 15
	Form 1 Group 16
	Form 1 Group 17
	Form 1 Group 18
	Form 1 Group 19
	Form 1 Group 20
	Form 1 Group 21
	Form 1 Group 22
	Form 1 Group 23
	Form 1 Group 24
	Form 1 Group 25
	Form 1 Group 26
	Form 1 Group 27
	Form 1 Group 28
	Form 1 Group 29
	Form 1 Group 30
	Form 1 Group 31
	Form 1 Group 32
	Form 1 Group 33
	Form 1 Group 34
	Form 1 Group 35
	Form 1 Group 36
	Form 1 Group 37
	Form 1 Group 38
	Form 1 Group 39
	Form 1 Group 40
	Form 1 Group 41
	Form 1 Group 42
	Form 1 Group 43
	Form 1 Group 44
	Form 1 Group 45
	Form 1 Group 46
	Form 1 Group 47
	Form 1 Group 48
	Form 1 Group 49
	Form 1 Group 50
	Form 1 Group 51
	Form 1 Group 52
	Form 1 Group 53
	Form 1 Group 54
	Form 1 Group 55
	Form 1 Group 56
	Form 1 Group 57
	Form 1 Group 58
	Form 1 Group 59
	Form 1 Group 60
	Form 1 Group 61
	Form 1 Group 62
	Form 1 Group 63
	Form 1 Group 64
	Form 1 Group 65
	Form 1 Group 66
	Form 1 Group 67
	Form 1 Group 68
	Form 1 Group 69
	Form 1 Group 70
	Form 1 Group 71
	Form 1 Group 72
	Form 1 Group 73
	Form 1 Group 74
	Form 1 Group 75
	Form 1 Group 76
	Form 1 Group 77
	Form 1 Group 78
	Form 1 Group 79
	Form 1 Group 80
	Form 1 Group 81
	Form 1 Group 82
	Form 1 Group 83
	Form 1 Group 84
	Form 1 Group 85
	Form 1 Group 86
	Form 1 Group 87
	Form 1 Group 88
	Form 1 Group 89
	Form 1 Group 90
	Form 1 Group 91
	Form 1 Group 92
	Form 1 Group 93
	Form 1 Group 94
	Form 1 Group 95
	Form 1 Group 96
	Form 1 Group 97
	Form 1 Group 98
	Form 1 Group 99
	Form 1 Group 100



Tree Location Plan

EXTRACTED FROM WORKING DRAWING NO. 60095631/CI/2011\_0011\_0011

Photo Record of Tree Risk Assessment Form 1 Report - Group 9



Attach\_20180308175757



Attach\_20180223124207



Attach\_20180223124212



Attach\_20180223124219



Attach\_20180223124224



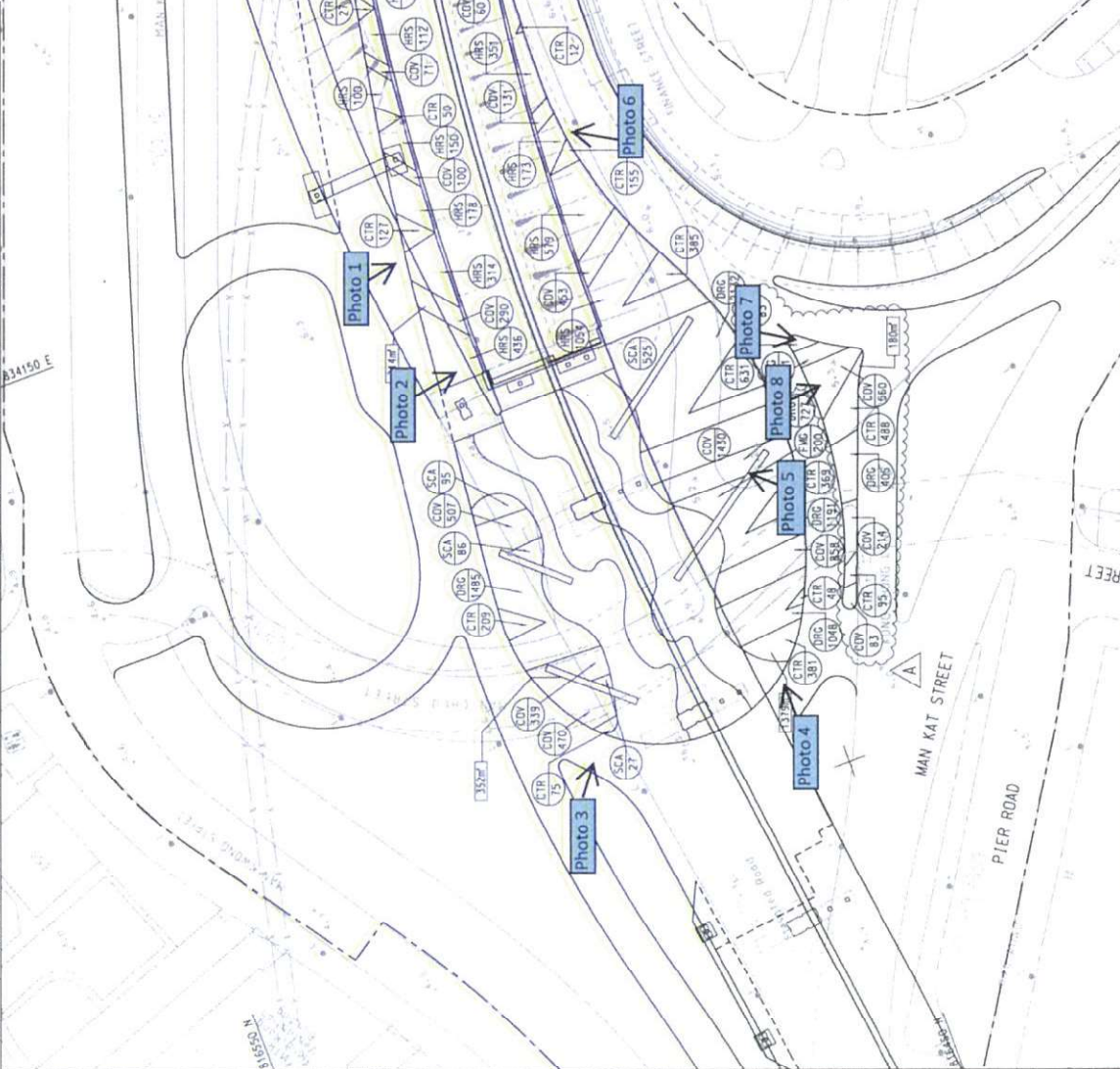
Attach\_20180223124229



# **Annex E**

**Planting Layout Plans and Record  
Photos for Planters within  
Construction Site Area of Contract No.  
HY/2011/08**

PLANTING SCHEDULE						
CODE	BOTANICAL NAME	CHINESE NAME	SPECIFICATION (mm) HEIGHT (H) x SPREAD	SPACING (mm)	QUANTITY	COMMENT
SHRUB PLANTING						
COV	CODIACEUM VARIEGATUM	洒金桃	400(H)x400(S)	300	5697	PLANT ALL SPECIES IN A STAGGERED PATTERN
CTR	CODIACEUM TERMINALIS 'RUBRA'	红桃	500(H)x400(S)	300	3148	
DRG	DURANTA REPENS 'GOLDEN LEAF'	金边黄	400(H)x400(S)	300	7243	
FNG	FICUS MICROCARPA 'GOLDEN LEAF'	黄叶榕	500(H)x500(S)	400	200	
HRS	HIBISCUS ROSA-SINENSIS 'YELLOW'	扶桑花	500(H)x500(S)	400	4146	
SCA	SCHREFFERIA ABBORTICOLA 'VARIEGATA'	花露木	500(H)x500(S)	400	733	



**NOTE:**  
1. THIS DRAWING SHALL BE READ IN CONJUNCTION WITH SPEC. NO. 60095653/CI/9052.

**LEGEND:**

- SITE BOUNDARY
- SHRUB CODE
- QUANTITY

A	ISSUED FOR RECORD ONLY	ETH	DEC	16
B	SUBMIT FOR RECORD ONLY	ETH	DEC	16
Rev	Date	Drawn by	Checked by	Checked by

**AECOM**

**CENTRAL - WAN CHAI BYPASS AND IEC LINK**  
CENTRAL - WAN CHAI BYPASS  
CENTRAL INTERCHANGE

**TITLE:** SHRUB PLANTING PLAN AT  
KONG CHUNG LANE PLANTER & PLANTER C

**SKETCH NO.:** 60095653/CI/5K1201A





Photo 1





Photo 2





Photo 3





Photo 4









Photo 6





Photo 7





Photo 8



**AECOM**

AECOM  
8/F, Grand Central Plaza, Tower 2,  
138 Shatin Rural Committee Road,  
Shatin, Hong Kong  
香港新界沙田鄉事會路 138 號  
新城市中央廣場第 2 座 8 樓  
www.aecom.com

Engineer's Representative's Office  
Room 1401-06, 14/F., Eastern Centre,  
1065 King's Road, Quarry Bay, H.K.  
香港鰂魚涌英皇道 1065 號  
東達中心 14 樓 1401-06 室  
+852 3650 1600 tel  
+852 3665 0106 fax

Your Ref. : -  
Our Ref. : CWB/(HY/2009/18)/C55/500/18B011800



18B011800

24 April 2018

Leisure and Cultural Services Department  
Leisure Services Branch  
Leisure Services Branch - Division 2  
Leisure Management/Hong Kong West  
Central and Western District Leisure Service Office  
Room 1001, 10/F., Sheung Wan Municipal Services Building,  
345 Queen's Road Central,  
Hong Kong.

Attn.: Mr. Lo Ying Hung, Michael

Dear Sir,

**Contract No. HY/2009/18**  
**Central-Wan Chai Bypass – Central Interchange**

**Final Handover Inspection of Planter at Finance Street**

I refer to the joint handover inspection amongst Mr. Michael Lo, Mr. Michael Cheng and Mr. Cheung Cheuk Wai (AECOM) and Miss Wayne Law (LCAL) on 16 April 2018 of the planters at Finance Street as shown in the enclosed location plan (**Annex A**).

I note that your department is satisfied with the condition of the planters and has no objection to taking over the horticultural maintenance thereof with effect from 17 April 2018.

I also record that the functional check of irrigation system for Man Po Street Planter (horticultural maintenance by LCSD since 1 August 2016) was satisfactory and the future watering for this planter would be handled by LCSD.

Lastly, I enclose herewith the drawings of irrigation system for both Finance Street Planter and Man Po Street Planter (**Annex B**), photos taken during the final handover inspection (**Annex C**) and also the Tree Risk Assessment Form 1 Report 2018 for Finance Street Planter (**Annex D**) for your record.

Should you have any queries, please free feel to contact my RE, Mr. Nelson Chin at 6461 8784.

Yours faithfully,  
For and on behalf of  
AECOM Asia Co. Ltd.

David Kwan  
Chief Resident Engineer



P.2

Your Ref. : -  
Our Ref. : CWB/(HY/2009/18)/C55/500/18B011800

Encl.

c.c. CE3/MW, HyD - Attn : Mr. W.K. Lo ] – w/encl.

e.c. AECOM - Attn.: Mr. Alex Li / Ms. Ivy Chung  
RSS - PP, YN

Response required : Yes / No

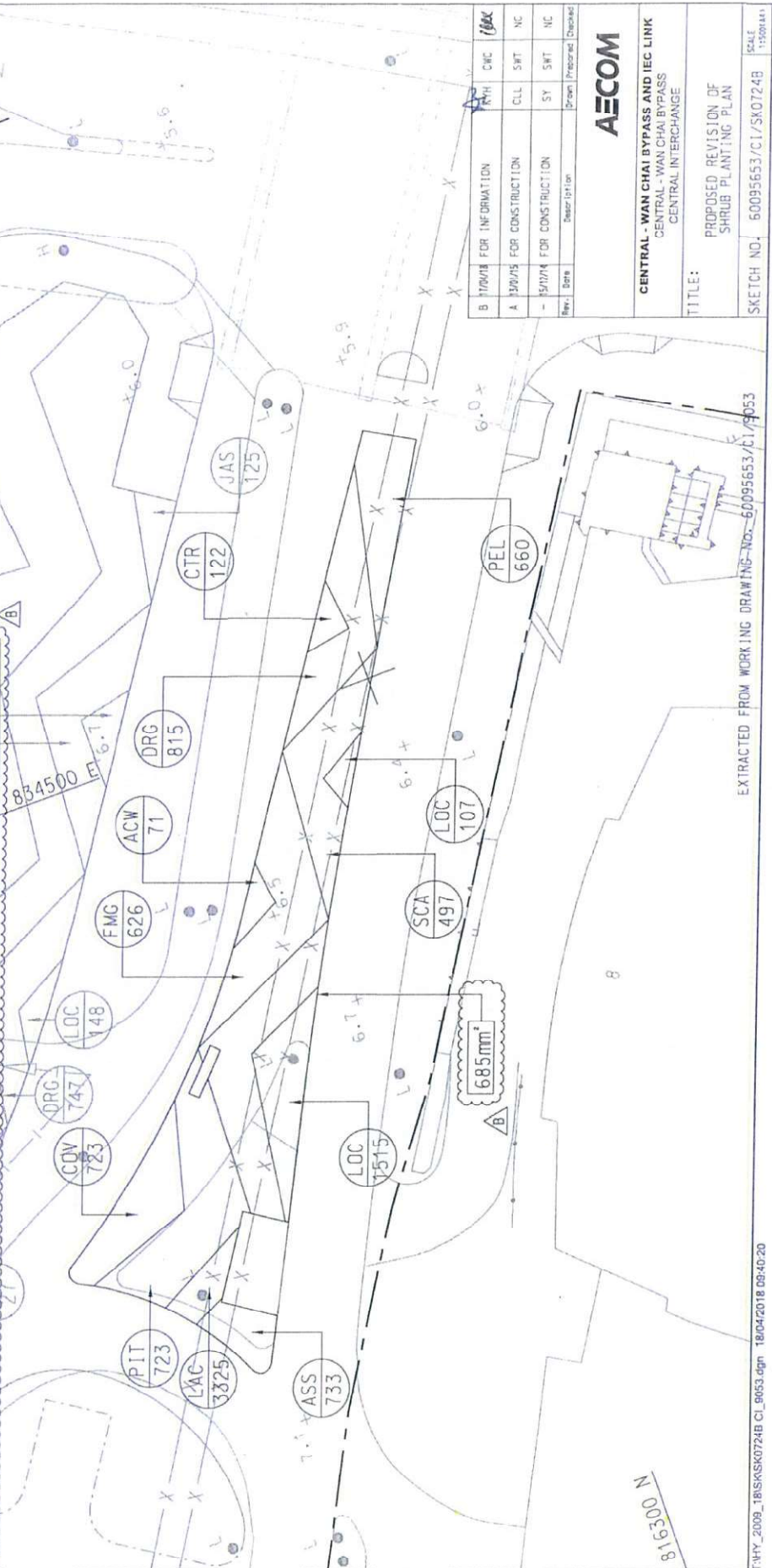
DK/RY/NC/AWHC/CFC/al



**Annex A**  
**Location Plan and Planting**  
**Information**

PLANTING SCHEDULE

CODE	BOTANICAL NAME	CHINESE NAME	SPECIFICATION (mm) HEIGHT (H) x SPREAD	SPACING (mm)	QUANTITY	COMMENT
<b>SHRUB PLANTING</b>						
ACW	ACALYPHA WILKESIANA 'TRICOLOR'	五彩大葉紅草	500(H)x500(S)	400	71	PLANT ALL SPECIES IN A STAGGERED PATTERN
CDV	CODIAEUM VARIEGATUM	黃金藤	400(H)x400(S)	300	723	
CTR	CORDYLINE TERMINALIS 'RUBRA'	朱蕉	500(H)x400(S)	300	122	
DRG	DURANTA REPENS 'GOLDEN'	金邊黃	400(H)x400(S)	300	815	
FMG	FICUS MICROCARPA 'GOLDEN LEAF'	黃金榕	500(H)x500(S)	400	626	
LOC	LOROPETALUM CHINENSE F. RUBRUM	紅花檉木	400(H)x400(S)	300	1522	
PELL	PENTAS LANCEOLATA	五星花	300(H)x200(S)	300	660	
PIT	PITTIOSPORUM TOBIRA	檸檬桉	500(H)x500(S)	400	723	
SCA	SCHIFFERIA ARDORICOLA 'VARIEGATA'	花葉八寶	500(H)x500(S)	400	497	
<b>GROUND COVER PLANTING</b>						
ASS	ASPARAGUS SPRENGERI	天冬	200(H)x200(S)	200	133	
LAC	LANTANA CAMARA 'FLAVA'	黃花馬纓丹	200(H)x200(S)	200	325	



B	1/10/18	FOR INFORMATION	CWC	1/6/18
A	1/30/15	FOR CONSTRUCTION	CLL	NC
	15/1/14	FOR CONSTRUCTION	SY	NC
Rev.	Date	Description	Drawn	Prepared/Checked

**AECOM**

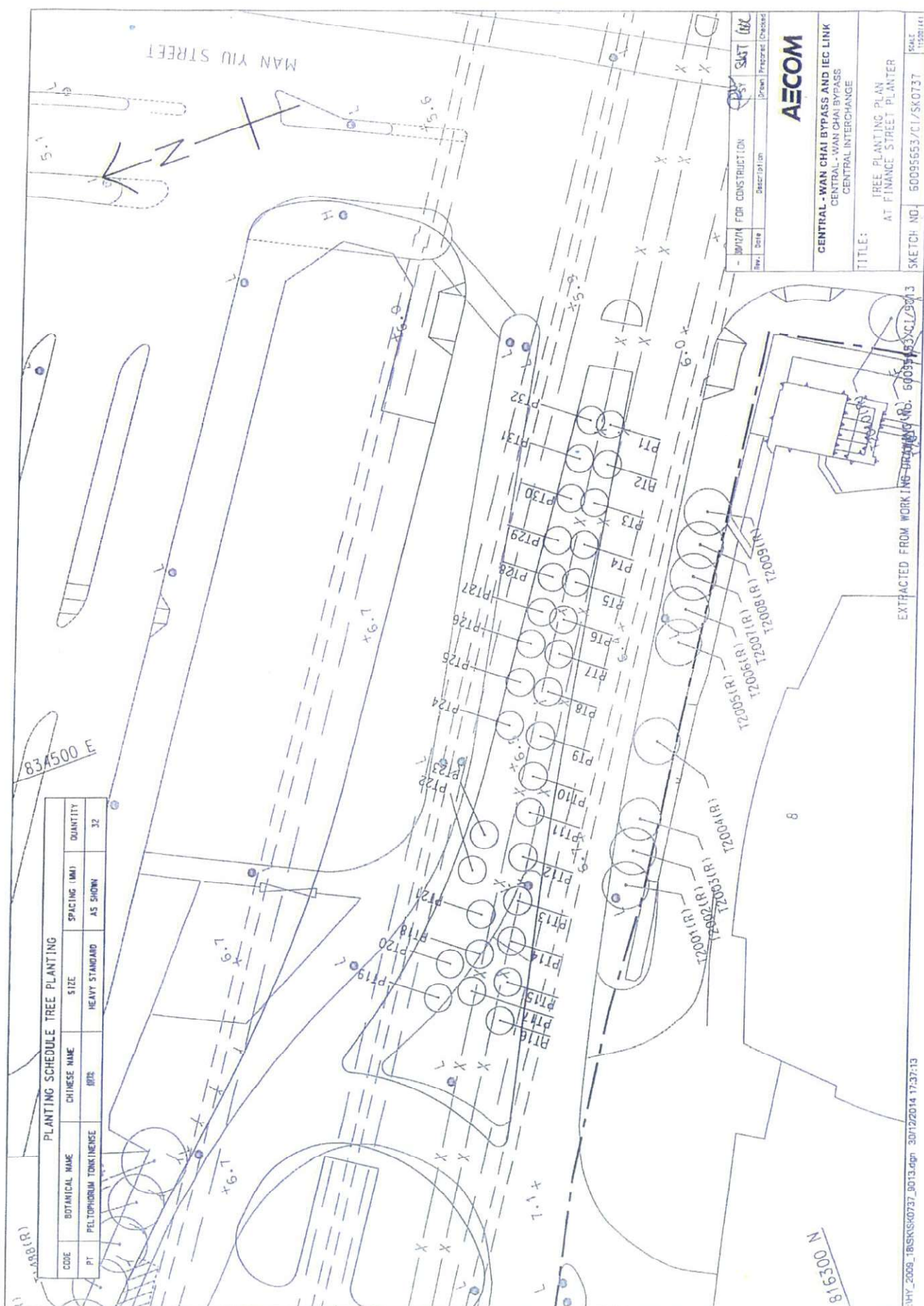
**CENTRAL - WAN CHAI BYPASS AND IEG LINK**  
CENTRAL - WAN CHAI BYPASS  
CENTRAL INTERCHANGE

TITLE: PROPOSED REVISION OF SHRUB PLANTING PLAN

SKETCH NO. 60095653/C1/SK0724B SCALE 1:500 (A1)

EXTRACTED FROM WORKING DRAWING NO. 60095653/C1/9053





PLANTING SCHEDULE TREE PLANTING

CODE	BOTANICAL NAME	CHINESE NAME	SIZE	SPACING (MM)	QUANTITY
PT	PELTOPHORUM TONKINENSE	BT2	HEAVY STANDARD	AS SHOWN	32

Rev.	Date	Description	Drawn	Prepared	Checked
01		FOR CONSTRUCTION	SAIT	SAIT	SAIT

**AECOM**

CENTRAL - WAN CHAI BYPASS AND IEC LINK  
 CENTRAL - WAN CHAI BYPASS  
 CENTRAL INTERCHANGE

TITLE:  
 TREE PLANTING PLAN  
 AT FINANCE STREET PLANTER

SKETCH NO. 50095553/CI/SK0737  
 SCALE 1:1500(1:1)

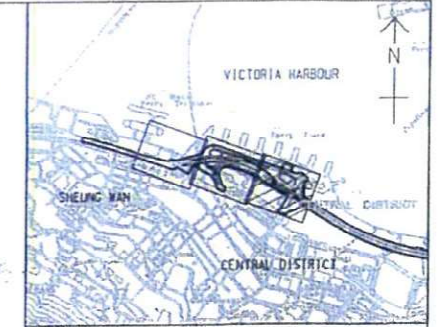
EXTRACTED FROM WORKING DRAWING NO. 60095553/CI/250013

T:\HY\_2009\_1\BNSK\S\K0737\_0013.dgn 30/12/2014 17:37:13

**Annex B**

**Drawings of Irrigation System**





- NOTES:
- FOR NOTES AND LEGEND SEE DRG. NO. 60095653/CI/2401.
  - THE DETAILS OF WATER METER AND WATER POINT FOR IRRIGATION SYSTEM WP9-3 TO WP9-5 AND WP9-7 TO WP9-8 SHALL REFER TO SITE SKETCH NO. 60095653/CI/SK1131.
  - VERTICAL PLUMBING LINE DIAGRAM SHALL REFER TO DRG NOS. 60095653/CI/SK1027 AND SK1028.
  - DN PIPE SIZES REFER TO INTERNAL DIAMETER OF PIPE.

- LEGEND:
- LOOSE JUMPER TYPE STOPCOCK
  - NEW WATER METER BOX FOR IRRIGATION
  - DN 20 NEW POLYETHYLENE (PE) PIPE TO BS 150 4427 AND BS EN 12201
  - NEW TAPER
  - NEW STOP VALVE
  - FOOTPATH
  - AMENITY AREA
  - DRIVEWAY
  - EXISTING WATERPOINT
  - EXISTING WATERPOINT TO BE DEMOLISHED
  - NEW LOOSE JUMPER TYPE STOP COCK
  - NEW WATERPOINT
  - IRRIGATION POINT COVERING AREA
  - U/G UNDERGROUND
  - L/L LOWER LEVEL

Rev.	Date	Description	Drawn	Prepared	Checked
A	04/01/17	GENERAL REVISIONS	KYH	CH	NC
-	05/05/16	FOR CONSTRUCTION	SY	CH	NC

**AECOM**

CENTRAL - WAN CHAI BYPASS AND IEC LINK  
CENTRAL - WAN CHAI BYPASS  
CENTRAL INTERCHANGE

TITLE:  
REVISED IRRIGATION SYSTEM FOR  
WP9-3 TO WP9-5 AND WP9-7 TO WP9-8









SKETCH NO. 60095653/CI/SK1057A SCALE 1:4200(A3)

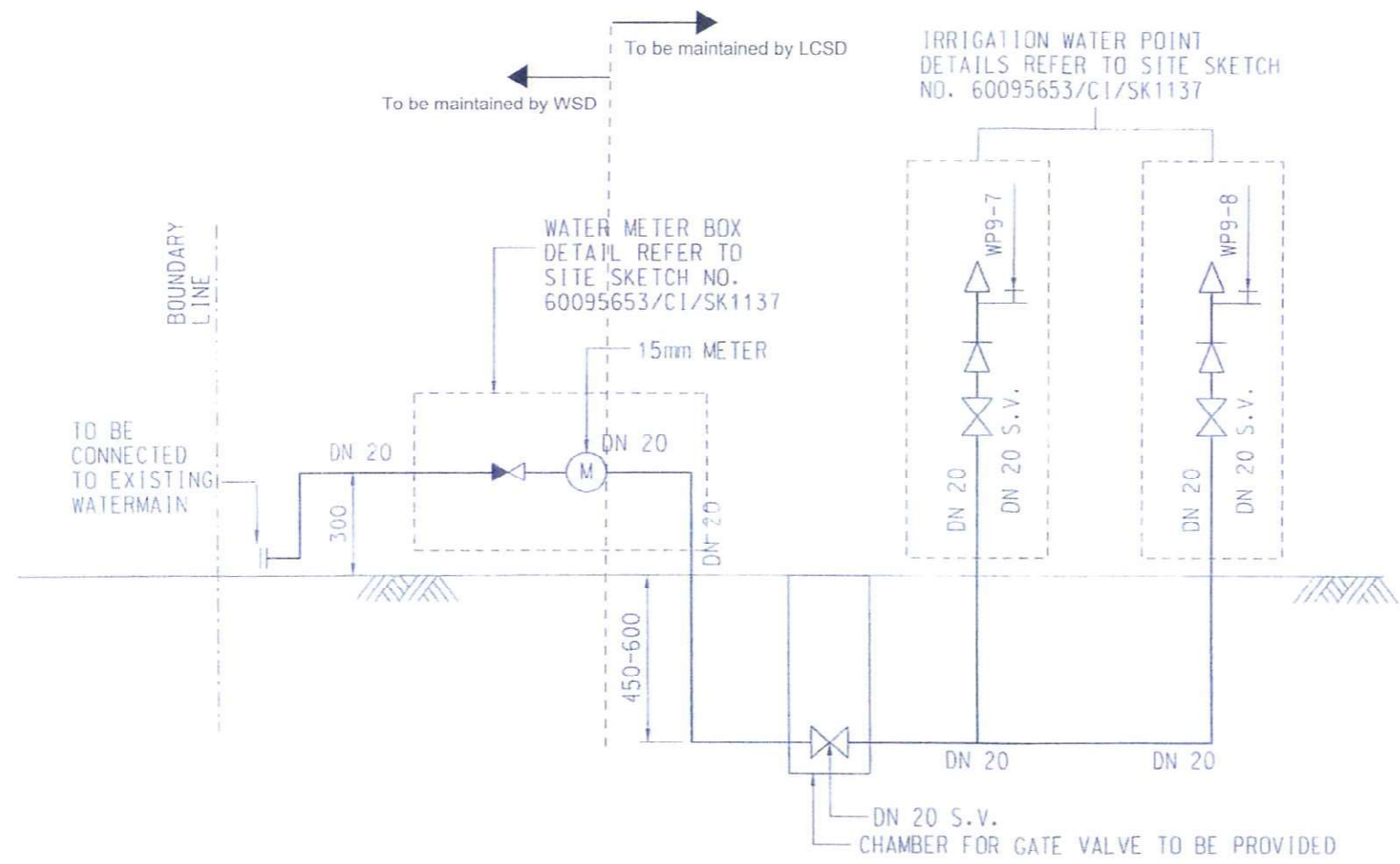


**NOTES:**

1. THE LOCATION AND ALIGNMENT OF IRRIGATION SYSTEM SHALL REFER TO SITE SKETCH NOS. 60095653/CI/SK1057A AND 60095653/CI/SK1137.
2. DN PIPE SIZES REFER TO INTERNAL DIAMETER OF PIPE.

**LEGEND:**

-  WATER POINT
-  DN 20 NEW POLYETHYLENE (PE) PIPE TO BS 150 4427 AND BS EN 12201
-  NEW WATER METER
-  NEW STOP VALVE
-  NEW LOOSE JUMPER TYPE STOP COCK
-  ANTI-VACUUM VALVE
-  REMOVABLE KEY WATER TAP
-  NON-RETURN VALVE



SYSTEM WP9-7 TO WP9-8  
(IRRIGATION SYSTEM AT PLANTER NEAR FINANCE STREET)

Rev.	Date	Description	Drawn	Checked	Approved

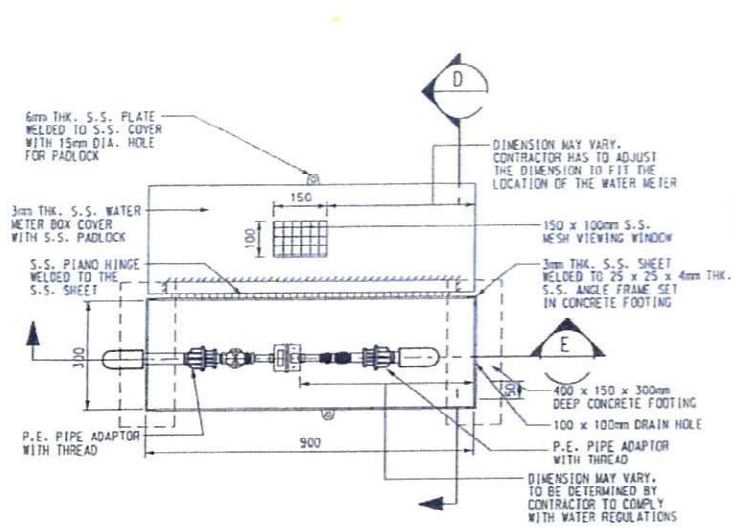
**AECOM**

CENTRAL - WAN CHAI BYPASS AND IEC LINK  
CENTRAL - WAN CHAI BYPASS  
CENTRAL INTERCHANGE

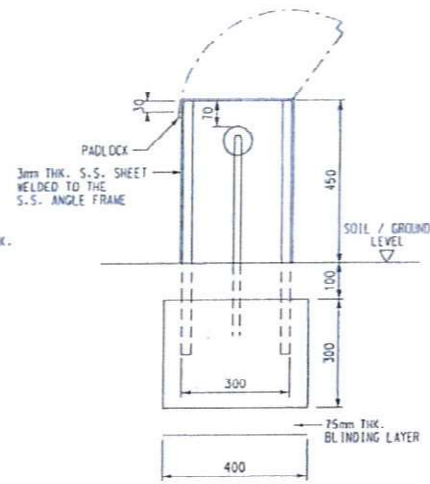
TITLE: IRRIGATION SYSTEM VERTICAL PLUMBING LINE DIAGRAMS FOR SYSTEM WP9-7 TO WP9-8

SKETCH NO. 60095653/CI/SK1028

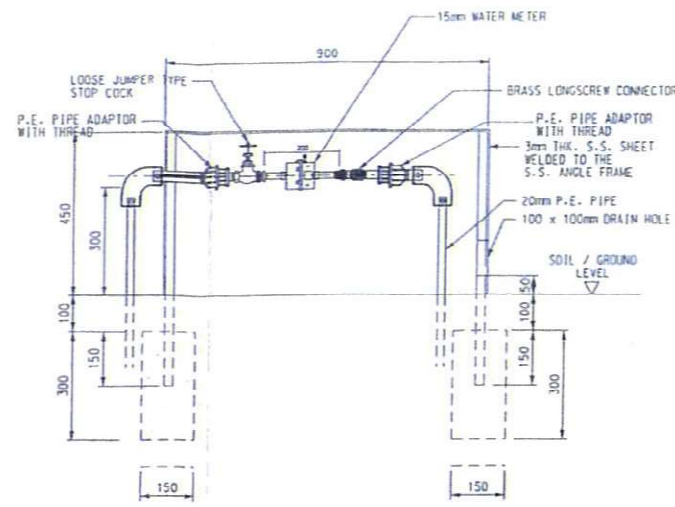




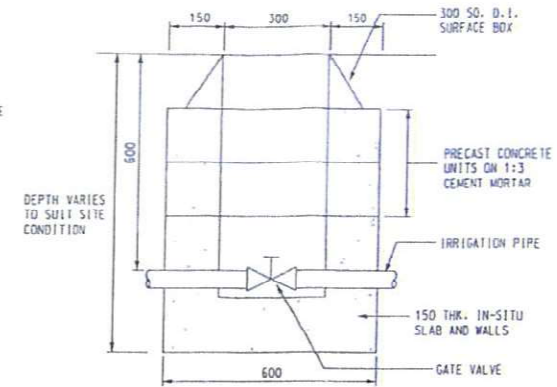
PLAN OF WATER METER BOX  
SCALE 1:20



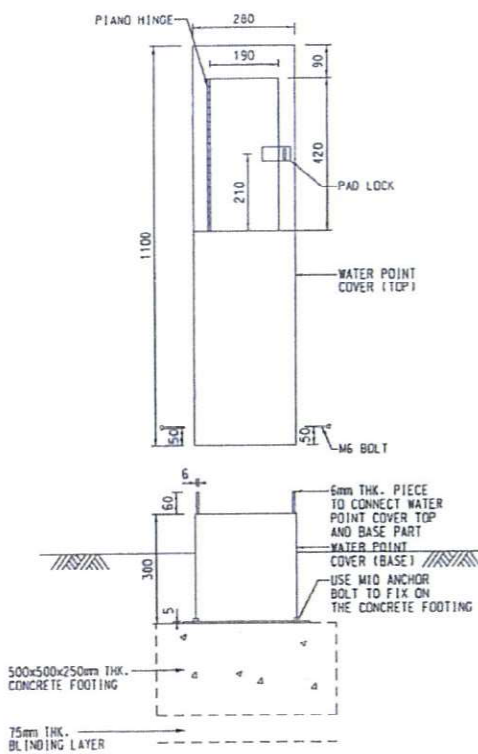
SECTION D  
SCALE 1:20



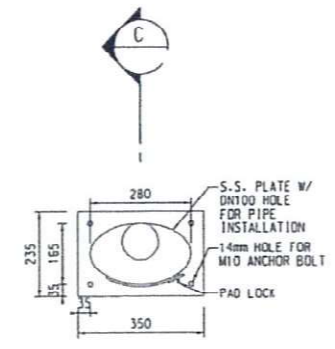
SECTION E  
SCALE NTS



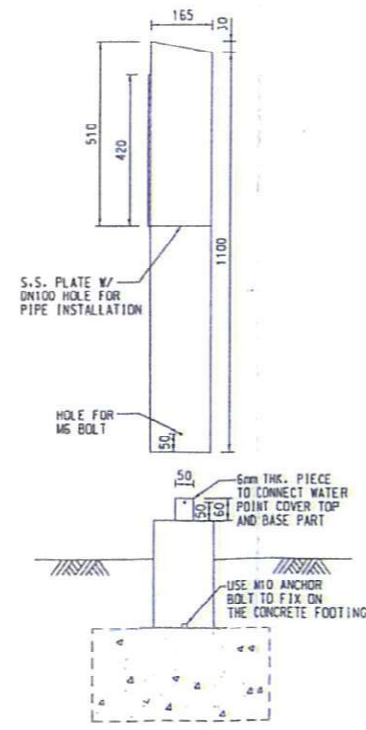
VALVE COVER BOXES  
SCALE 1:20



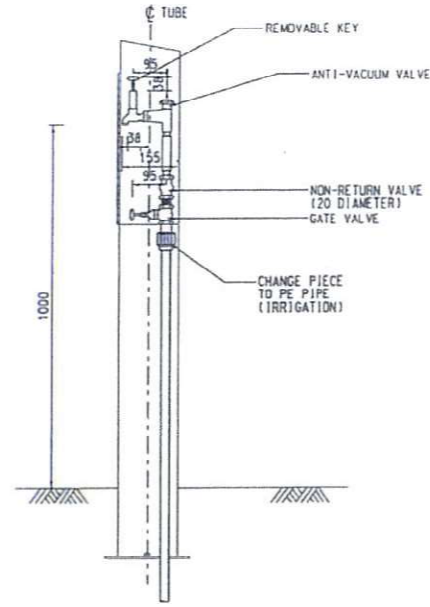
ELEVATION OF WATER POINT  
SCALE 1:20



PLAN OF WATER POINT  
SCALE 1:20



SECTION C  
SCALE 1:20



WATER POINT DETAILS  
SCALE 1:20

- NOTES :
1. ALL DIMENSIONS ARE IN MILLIMETRES.
  2. FOR DETAILS OF 300 S.O. D.I. SURFACE BOX REFER TO WSD STANDARD DRAWING NO. WSD T.47C.
  3. FOR DETAILS OF PRECAST CONCRETE UNITS REFER TO DRAWING NO. WSD 1.7E.
  4. GRADE OF CONCRETE SHALL BE 30/200 UNLESS OTHERWISE SPECIFIED.
  5. EXACT LOCATION OF WATER POINT TO BE DETERMINED ON SITE.
  6. GRADE OF STAINLESS STEEL SHALL BE 304 UNLESS OTHERWISE SPECIFIED.

Rev.	Date	Description	Drawn	Checked
-	04/10/17	GENERAL REVISIONS	KYH	SJS

**AECOM**

CENTRAL - WAN CHAI BYPASS AND IEC LINK  
CENTRAL - WAN CHAI BYPASS  
CENTRAL INTERCHANGE

TITLE: IRRIGATION PLANTER BETWEEN  
MAN PO STREET AND FINANCE STREET  
- MISCELLANEOUS DETAILS

SKETCH NO. 60095653/CI/SK1137 SCALE AS SHOWN



ESTIMATED DAILY WATER CONSUMPTION =  $7 \times 1736 = 12152 \text{ L/DAY} = 12.2 \text{ m}^3/\text{DAY}$

AREA =  $1736 \text{ m}^2$

AREA =  $610 \text{ m}^2$

ESTIMATED DAILY WATER CONSUMPTION =  $7 \times 610 = 4270 \text{ L/DAY} = 4.3 \text{ m}^3/\text{DAY}$



KEY PLAN

- NOTES:
- FOR NOTES AND LEGEND SEE DRG. NO. 60095653/C1/2401.
  - THE DETAILS OF WATER METER AND WATER POINT FOR IRRIGATION SYSTEM WP9-3 TO WP9-5 AND WP9-7 TO WP9-8 SHALL REFER TO SITE SKETCH NO. 60095653/C1/SK1137.
  - VERTICAL PLUMBING LINE DIAGRAM SHALL REFER TO DRG NOS. 60095653/C1/SK1027 AND SK1028.
  - DN PIPE SIZES REFER TO INTERNAL DIAMETER OF PIPE.

- LEGEND:
- LOOSE JUMPER TYPE STOPCOCK
  - NEW WATER METER BOX FOR IRRIGATION
  - DN 20 NEW POLYETHYLENE (PE) PIPE TO BS 150 4427 AND BS EN 12201
  - NEW TAPER
  - NEW STOP VALVE
  - FOOTPATH
  - AMENITY AREA
  - CHARIAGEWAY
  - EXISTING WATERPOINT
  - EXISTING WATERPOINT TO BE DEMOLISHED
  - NEW LOOSE JUMPER TYPE STOP COCK
  - NEW WATERPOINT
  - IRRIGATION POINT COVERING AREA
  - U/G UNDERGROUND
  - L/L LOWER LEVEL

Rev.	Date	Description	Drawn	Prepared	Checked
A	21/01/16	GENERAL REVISIONS	KYH	PS	ACB
-	05/05/16	FOR CONSTRUCTION	SY	CH	NC

**AECOM**

CENTRAL - WAN CHAI BYPASS AND IEC LINK  
CENTRAL - WAN CHAI BYPASS  
CENTRAL INTERCHANGE

TITLE:  
REVISED IRRIGATION SYSTEM FOR  
WP9-3 TO WP9-5 AND WP9-7 TO WP9-8

SKETCH NO. 60095653/C1/SK1057A SCALE 1:4000 A31









EXTRACTED FROM WORKING DRAWING No. 60095653/C1/2403

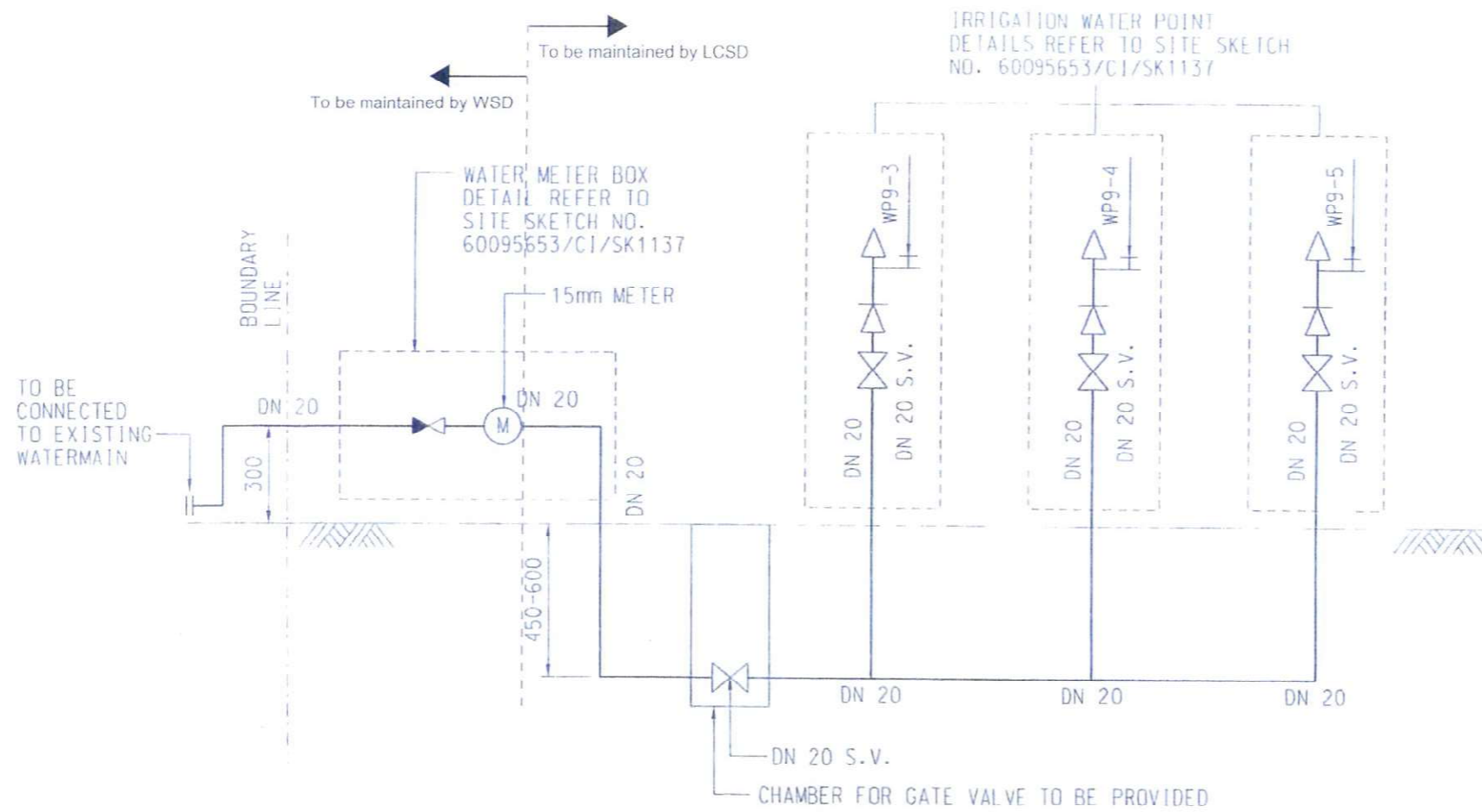


**NOTES:**

1. THE LOCATION AND ALIGNMENT OF IRRIGATION SYSTEM SHALL REFER TO SITE SKETCH NOS. 60095653/CI/5K1027A AND 60095653/CI/5K1137.
2. DN PIPE SIZES REFER TO INTERNAL DIAMETER OF PIPE.

**LEGEND:**

-  WATER POINT
-  DN 20 NEW POLYETHYLENE (PE) PIPE TO BS 150 4427 AND BS EN 12201
-  NEW WATER METER
-  NEW STOP VALVE
-  NEW LOOSE JUMPER TYPE STOP COCK
-  ANTI-VACUUM VALVE
-  REMOVABLE KEY WATER TAP
-  NON-RETURN VALVE



SYSTEM WP9-3 TO WP9-5  
(IRRIGATION SYSTEM AT PLANTER NEAR MAN PO STREET)

GENERAL REVISIONS				
Rev	Date	Description	Drawn	Checked

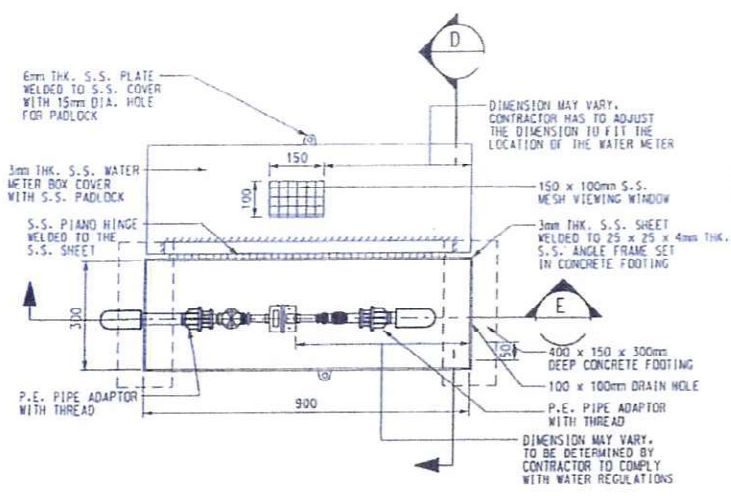
**AECOM**

CENTRAL - WAN CHAI BYPASS AND IEC LINK  
CENTRAL - WAN CHAI BYPASS  
CENTRAL INTERCHANGE

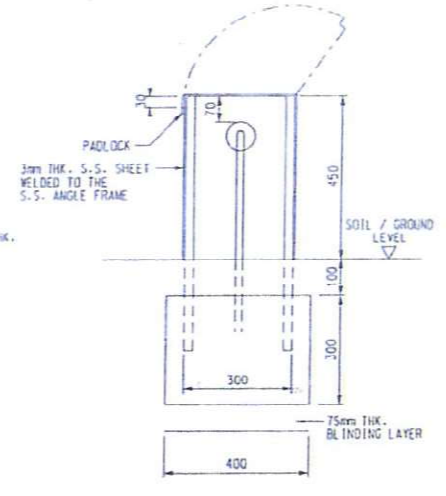
TITLE: IRRIGATION SYSTEM VERTICAL PLUMBING LINE DIAGRAMS FOR SYSTEM WP9-3 TO WP9-5

SKETCH NO. 60095653/CI/5K1027

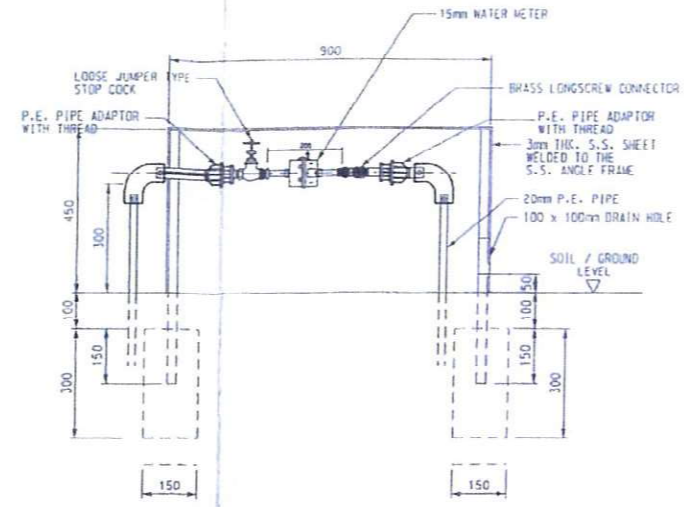
EXTRACTED FROM WORKING DRAWING No. 60095653/CI/2412



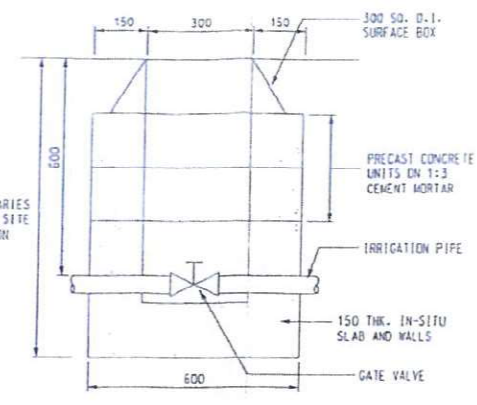
PLAN OF WATER METER BOX  
SCALE 1:20



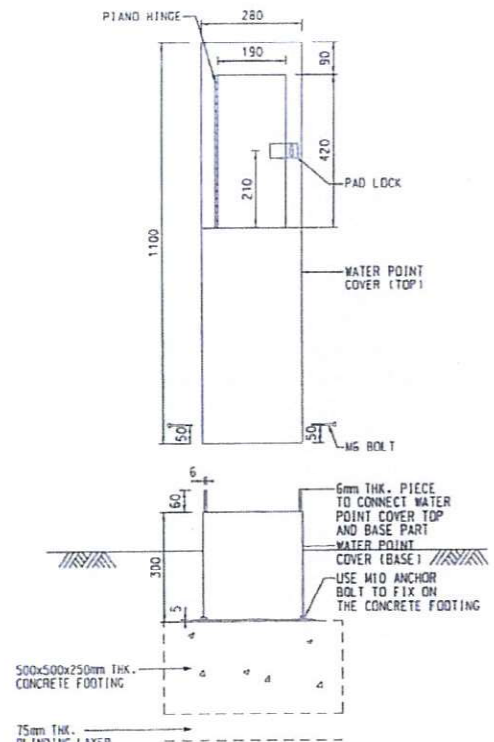
SECTION D  
SCALE 1:20



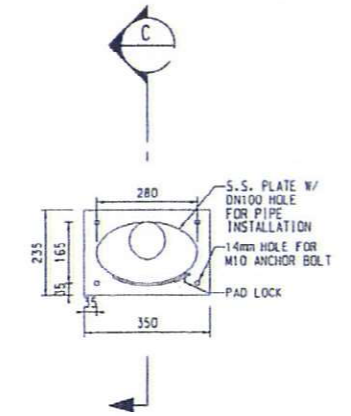
SECTION E  
SCALE NTS



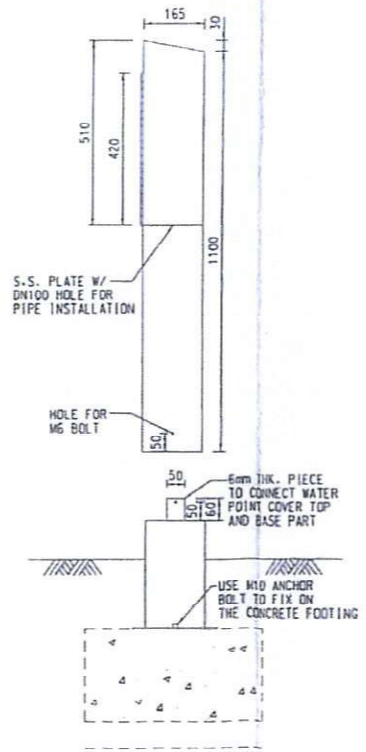
VALVE COVER BOXES  
SCALE 1:20



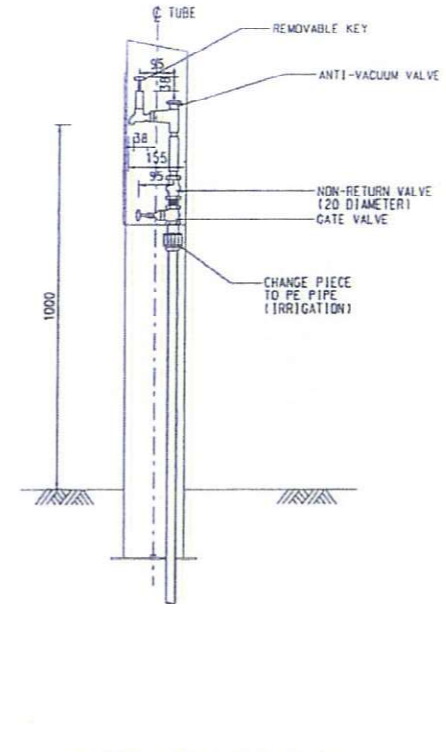
ELEVATION OF WATER POINT  
SCALE 1:20



PLAN OF WATER POINT  
SCALE 1:20



SECTION C  
SCALE 1:20



WATER POINT DETAILS  
SCALE 1:20

- NOTES :
1. ALL DIMENSIONS ARE IN MILLIMETRES.
  2. FOR DETAILS OF 300 SO. D.I. SURFACE BOX REFER TO WSD STANDARD DRAWING NO. WSD 1.41C.
  3. FOR DETAILS OF PRECAST CONCRETE UNITS REFER TO DRAWING NO. WSD 1.7E.
  4. GRADE OF CONCRETE SHALL BE 30/200 UNLESS OTHERWISE SPECIFIED.
  5. EXACT LOCATION OF WATER POINT TO BE DETERMINED ON SITE.
  6. GRADE OF STAINLESS STEEL SHALL BE 304 UNLESS OTHERWISE SPECIFIED.

Rev.	Date	Description	Drawn	Checked
-	24/10/17	GENERAL REVISIONS	AYH	ML

**AECOM**

CENTRAL - WAN CHAI BYPASS AND IEC LINK  
CENTRAL - WAN CHAI BYPASS  
CENTRAL INTERCHANGE

TITLE: IRRIGATION PLANTER BETWEEN  
MAN PO STREET AND FINANCE STREET  
- MISCELLANEOUS DETAILS

SKETCH NO. 60095653/C1/SK1137 SCALE 1:5 SHOWING



EXTRACTED FROM WORKING DRAWING No. 3128/ACL/10245



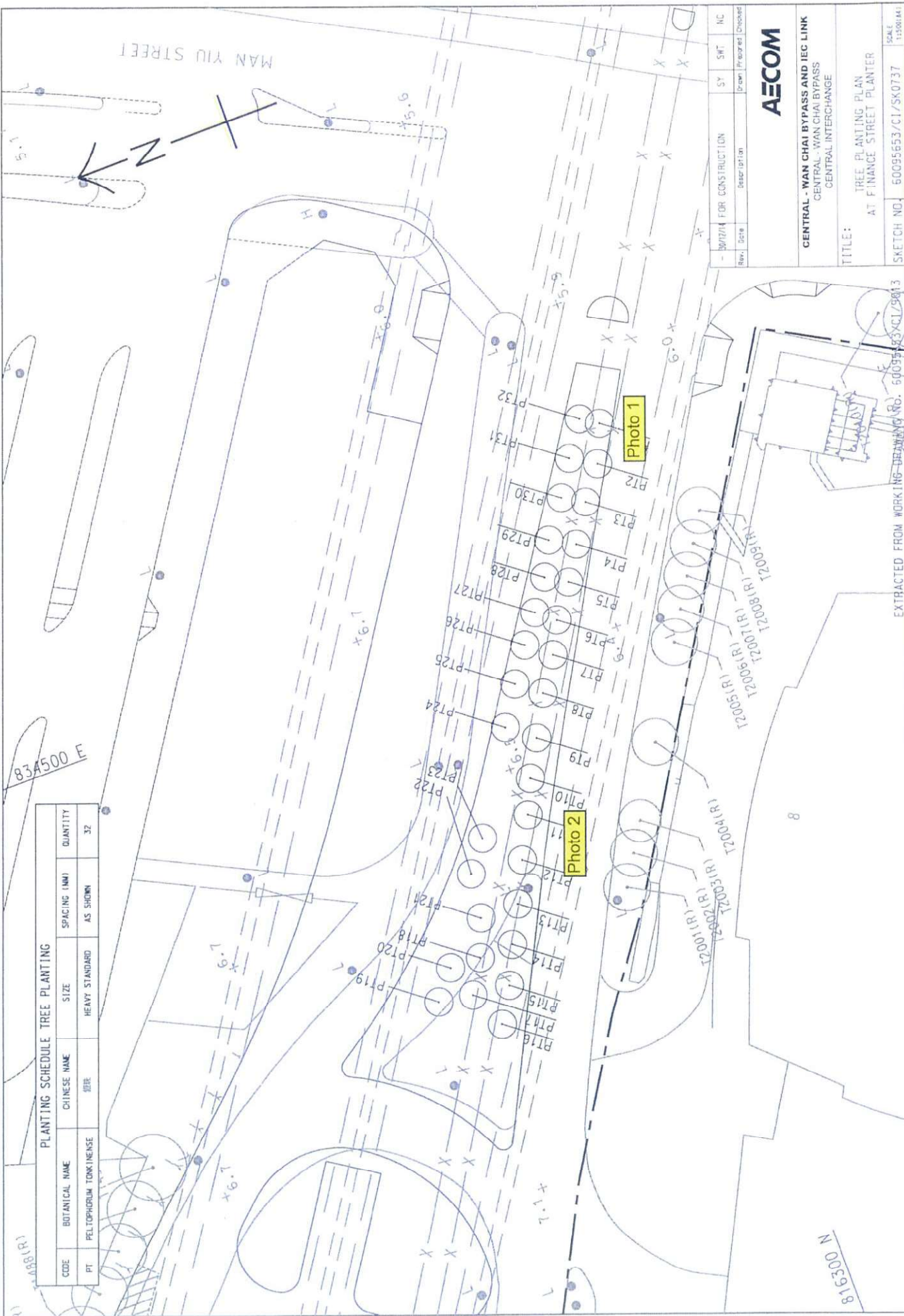
# **Annex C**

## **Record Photos**

# General View of Planters



PLANTING SCHEDULE TREE PLANTING				
CODE	BOTANICAL NAME	CHINESE NAME	SIZE	QUANTITY
PT	PELTOPHORUM TONKINENSE	栲	HEAVY STANDARD	32



Rev.	Date	Description	SY	SWT	NC
		FOR CONSTRUCTION			
					Drawn/Prepared/Checked

**AECOM**

**CENTRAL - WAN CHAI BYPASS AND IEC LINK**  
 CENTRAL - WAN CHAI BYPASS  
 CENTRAL INTERCHANGE

TITLE: TREE PLANTING PLAN  
 AT FINANCE STREET PLANTER

SKETCH NO. 60095653/CI/SK0737 SCALE 1:500(1:4)

EXTRACTED FROM WORKING DRAWING NO. 60095653/CI/SK0737



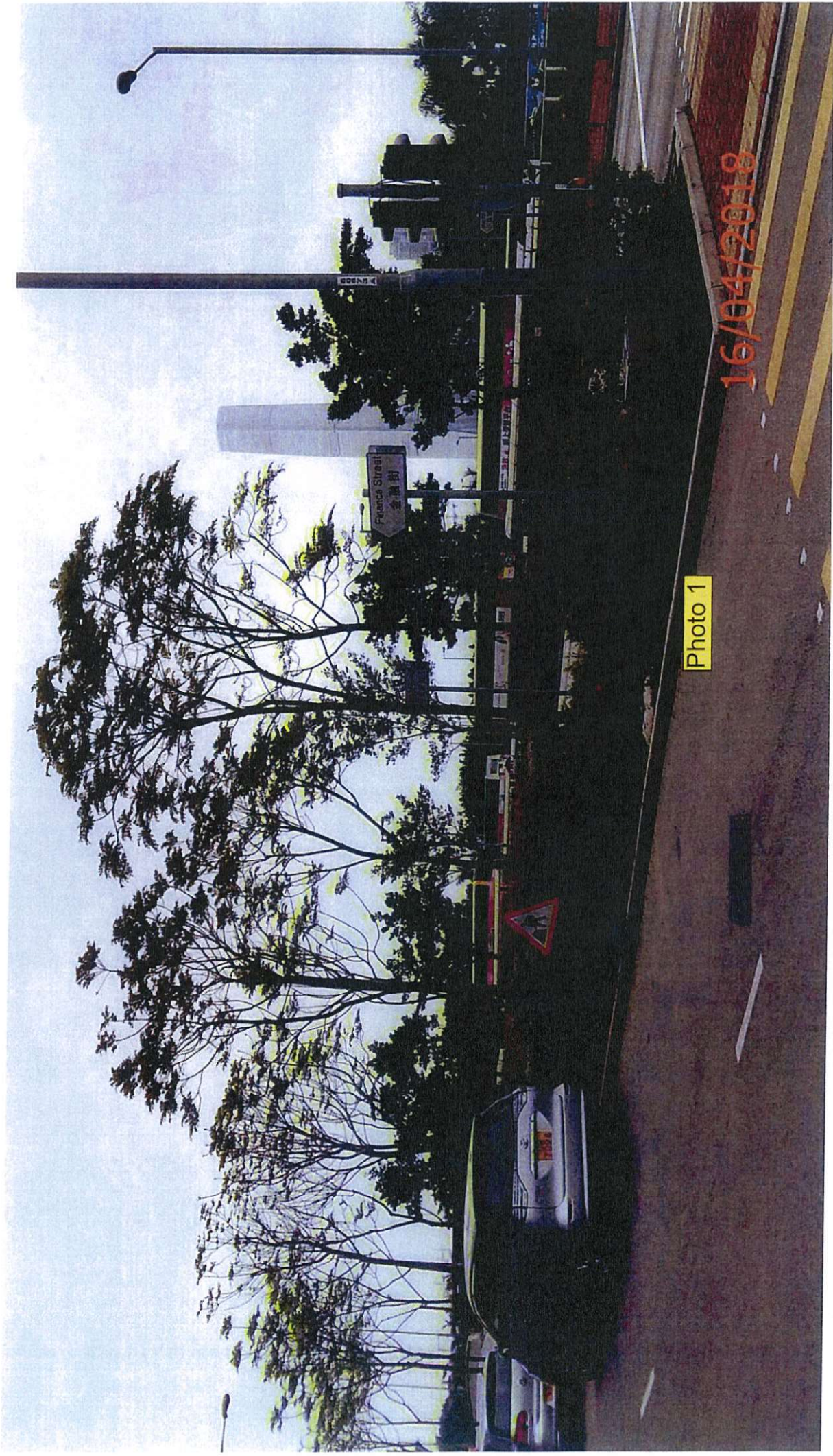


Photo 1

16/04/2018





Photo 2

16/04/2018

# **Functional Check of Irrigation System**



ESTIMATED DAILY WATER CONSUMPTION =  $7 \times 1736 = 12152 \text{ L/DAY} = 12.2 \text{ m}^3/\text{DAY}$

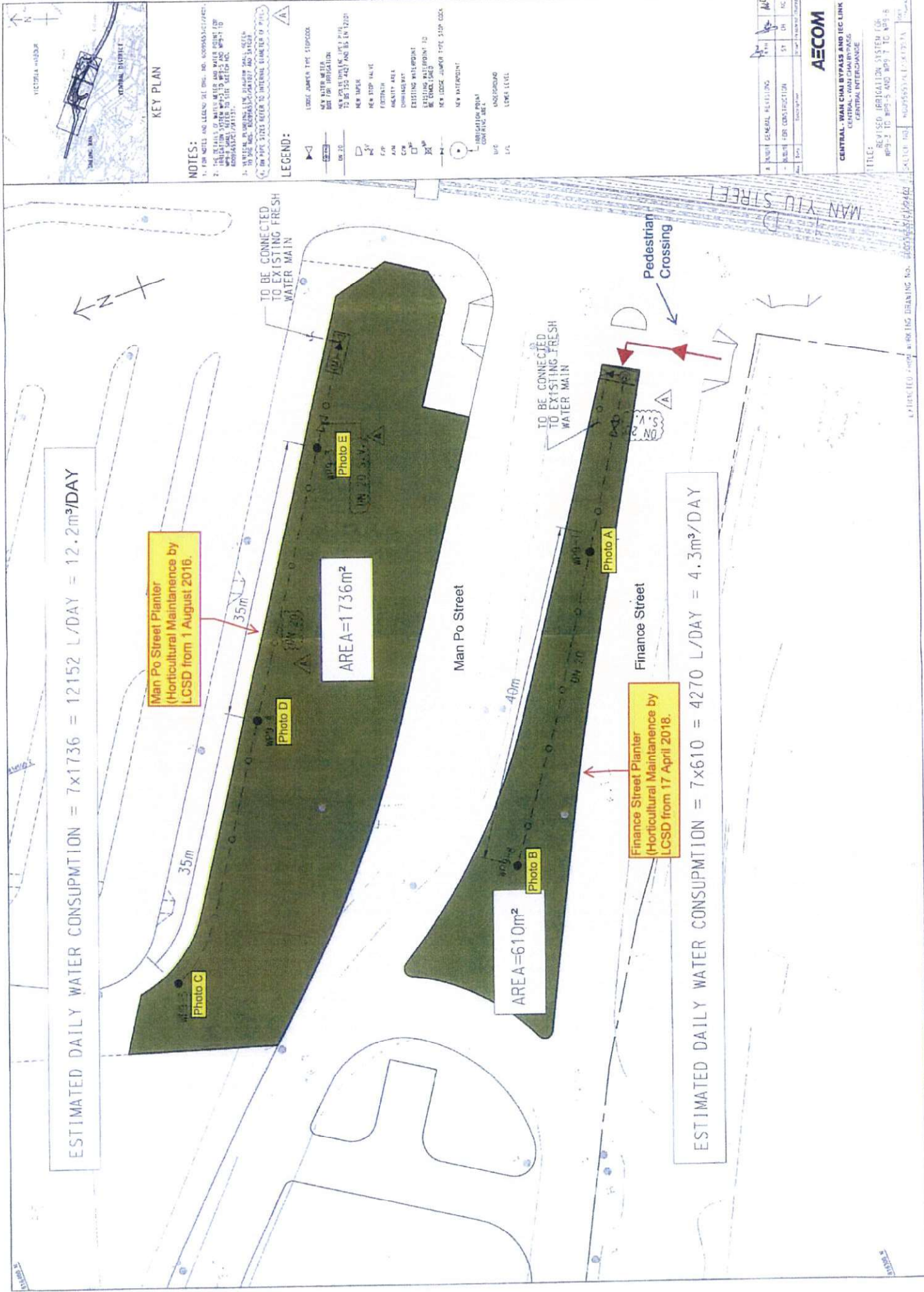
Man Po Street Planter  
(Horticultural Maintenance by LCSD from 1 August 2016)

AREA =  $1736 \text{ m}^2$

AREA =  $610 \text{ m}^2$

Finance Street Planter  
(Horticultural Maintenance by LCSD from 17 April 2018)

ESTIMATED DAILY WATER CONSUMPTION =  $7 \times 610 = 4270 \text{ L/DAY} = 4.3 \text{ m}^3/\text{DAY}$



**NOTES:**  
 1. FOR NOTES AND LEGEND SEE DRG. NO. 100000001/01/001/001.  
 2. THE DETAILS OF WATER METER AND WATER POINT FOR NEW WATER METER TO BE SET FOR NO. 100000001/01/001/001.  
 3. THE DETAILS OF WATER METER AND WATER POINT FOR NEW WATER METER TO BE SET FOR NO. 100000001/01/001/001.

**LEGEND:**  
 LARGE JUMPER TYPE STOP COCK  
 NEW WATER METER  
 NEW WATER POINT FOR NEW WATER METER TO BE SET FOR NO. 100000001/01/001/001  
 NEW STOP VALVE  
 NEW INTERPOINT  
 UNDESIGNED  
 CONCRETE MANHOLE  
 LEVEL

NO.	DATE	DESCRIPTION	BY	CHECKED
1	11/07/2018	ISSUED FOR CONSTRUCTION	ST	OH
2	11/07/2018	ISSUED FOR CONSTRUCTION	ST	OH

**AECOM**

**CENTRAL - WAN CHAI BYPASS AND ITC LINK CENTRAL - WAN CHAI BYPASS CENTRAL INTERCHANGE**

**TITLE:** REVISIONS IDENTIFICATION SYSTEM FOR WP-2 TO WP-5 AND WP-7 TO WP-8

**SCALE:** 1:500

**PROJECT NO.:** 100000001/01/001/001





16/04/2018





Photo B

16/04/2018











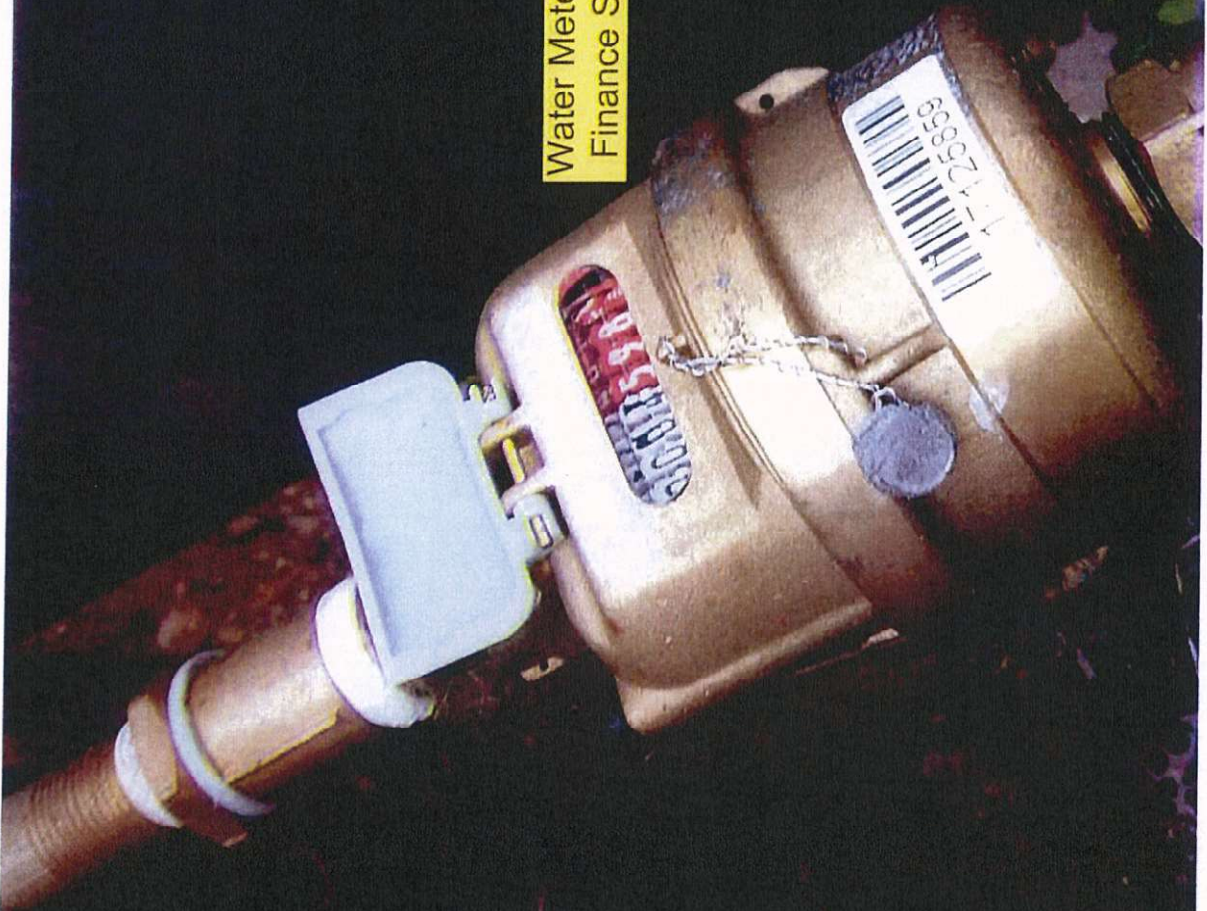
8102/HO/191



Photo E



# **Photos of Water Meter**



Water Meter installed at  
Finance Street Planter

16/04/2018



Water Meter installed at  
Man Po Street Planter

16/04/2018



**Annex D**

**Tree Risk Assessment Form 1**

**Report 2018**



# Contractor's Submission Form

Ref: H2540/CSF/OPR/03366-R0

Date: - 4 APR 2018



18A021033

- 4 APR 2018

Leighton Contractors  
(Asia) Limited

39/F Sun Hung Kai Centre  
30 Harbour Road, Hong Kong

t: +852 2823 1111  
f: +852 2529 8784

Contract: HY/2009/18 – Central-Wan Chai Bypass - Central Interchange

To: Engineer's Representative, The Chief Resident Engineer Mr. David Kwan

Title of Submission: Tree Risk Assessment Form 1 Report 2018 (Group 2)

Specification:

We are pleased to submit the following for your review and comment

Description:

Reference is made to Variation Order No. V/155 under letter ref. CWB/(HY/2009/18)/C55/800/18B011734 dated 02 January 2018, we submit herewith the Tree Risk Assessment Form 1 Report (Group 2) for your record.

Purpose of Submission:

FOR APPROVAL

FOR RECORD OR INFORMATION

Contractor's Representative

Signature:

Name: Jimmy Chu

Position: Project Manager

Date: 27 March 2018

Distribution: JC / JAC

Prepared by: WL

Tree Management Information System (TMIS) 樹木管理資訊系統  
 Tree Risk Assessment Form 1: Tree Group Inspection  
 樹木風險評估表格 1: 樹群檢查

Date: \_\_\_\_\_  
 Time: \_\_\_\_\_  
 Location: \_\_\_\_\_

General Information 基本資料

Dept. # / Agency 處/局:	HyD	Inspection Officer 巡查員:	Mr. NG Sze Yuen Jason	Post. No.:	C.A. ISA Cert No. HK-1729A
File Ref. 檔案編號:	C2241/18/TGD0523	Endorsement Officer 覆核人員:	Mr. HO Tat Pui Daniel	Post. No.:	C.A. ISA Cert No. HK-0794A
Date of Inspection 巡查日期:	02/02/2018	Last Inspection Date 上次巡查日期:	01/11/17		
Agency 處/局 / Project 工程 / Contract No. 合約編號:	HY2009/10				
Inspection Frequency 巡查頻率:	12 months 12個月				

Location Information 位置資料

Master Zone Departmental Ref. 主區編號:	Central
Sub Zone Departmental Ref. 副區編號:	Central - Group 2
English Location 英文地址:	Finance Street
Chinese Location 中文地址:	金鐘街
Tree Risk Management Zone 樹木風險管理地帶類別:	<input checked="" type="checkbox"/> category I 第一類 <input type="checkbox"/> category II 第二類 <input type="checkbox"/> category III 第三類
Nearby Utility Post No. 附近公用設施編號:	
Location Types 地點類別 (multiple answers allowed 可選多於一項):	<input type="checkbox"/> Roadside Landscaped Area 路旁綠化地區 <input type="checkbox"/> Public Park/Recreation Venue 公園/康樂場地 <input type="checkbox"/> Remote Countryside 偏遠郊區 <input type="checkbox"/> Vacant Government Land 政府空置土地 <input type="checkbox"/> Other (please specify) 其他 (請說明) <input checked="" type="checkbox"/> Central District 中央分區 <input type="checkbox"/> Tree Pit 樹穴 <input type="checkbox"/> Village Entrance 鄉村入口 <input type="checkbox"/> Undeveloped Government Land 未開發的政府土地 <input type="checkbox"/> Recreational Site Facilities inside Country Park 郊野公園內康樂用地或設施 <input type="checkbox"/> SIMAR Slopes 系統性斜坡維修責任的斜坡

Tree Information 樹木基本資料

The size of a tree group should be defined by location types, such as public park, SIMAR slopes, tree pits, etc. with due consideration given to the limitations of visual tree assessment.  
 在決定樹群的大小時，應參照地點類別，如公園、系統性斜坡維修責任的斜坡、樹坑等，同時考慮視察樹木的局限。

Main tree species in the group (DBH ≥ 95 mm) and minority tree species of significant size (i.e. approx. DBH ≥ 300 mm) 在樹群內的主要樹種 (樹徑 ≥ 95 毫米) 及少數的樹種 (樹徑 ≥ 300 毫米)	App. No. of Trees 約樹木數量	Height (m) From 高度 (米) 由	Height (m) To 高度 (米) 至	Overall Health Condition 樹木健康狀況	Overall Structural Condition 樹木結構狀況
<i>(Please delete the "blank" rows before save 保存之前，請刪除空白行)</i> Peltophorum tonkinense 銀木	32	5.5	7.0	Fair 一般	Fair 一般

Total No. of Trees 樹木總數: 32      No. of rows to be added: 1      Add Row      Delete Row

Overall Remarks 整體評語  
 This assessment recorded 32 nr. existing trees within the boundary. No registered Old and Valuable Tree or protected species was recorded. The general health and form of the trees are fair.

Target 目標

Target (people or property potentially affected by tree/branch failure) 目標 (因樹木倒塌或枝條斷裂而可能受影響的人或財產)

Does target exist? 目標是否仍然存在?  Yes / 是  No / 否

Can target be moved? 能否移除目標?  Yes / 是  No / 否

Can the use of site be restricted? 可否限制場地的使用?  Yes / 是  No / 否

Frequency of use of location 使用該地點的頻率程度:  
 Occasional Use 偶爾使用       Intermittent Use 間歇使用       Frequent Use 經常使用       Constant Use 經常使用

Identification of Trees for Remedial Action or Detailed Tree Risk Assessment (Form 2) 識別樹木以採取風險緩解措施或進行詳細樹木風險評估 (表格 2)

Trees falling under the following criteria 樹木屬於以下任何一項或多項一項類別	Number of trees 樹木數量	Remedial action or detailed tree risk assessment (Form 2) 擬採用的風險緩解措施或詳細樹木風險評估 (表格 2)	Anticipated Completion Date 預計完成日期	Actual Completion Date 實際完成日期
(1) Old and Valuable Tree (OVT) 古樹名木				
(2) Stonewall tree 石圍樹				
(3) Trees on complaint list with structural or health problems 投訴列表中具結構或健康問題的樹木				



(4) Trees belonging to species with brittle wood structure and having unsatisfactory health or structural conditions with failure potential 屬木質脆弱品種而健康或結構欠佳的面具類樹種的樹木				
(5) Tree with major defects or health problems 有明显缺陷或健康問題的樹木				
(6) Trees growing in very stressful site conditions with failure potential 生長於非常擠壓環境的樹木並有樹枝或樹幹倒塌風險				
(7) Mature trees 已屆成熟樹齡				

Summary of Statistic on TRIAGE Trees 分類樹木統計總結

Black 黑	Red 紅	Yellow 黃
---------	-------	----------

Attached Information 附加資料

(Maximum 10 attachments and total 25MB allowed 最多可容納10個附件並計不超過25MB)

Site Plan 場地平面圖  
(Provide at least 1 site plan 最少提供一個場地平面圖)

Add Site Plan      Delete Site Plan

1 Attach\_20180220115513.pdf  
Description 說明: Tree Location Plan

Photo Record 樹木照片  
(Provide at least 1 photo record 最少提供一個相片紀錄)

Add Photo Record      Delete Photo Record

1 Attach\_20180220115529.JPG  
Description 說明: General View

2 Attach\_20180220115533.JPG  
Description 說明: General View

3 Attach\_20180308160751.JPG  
Description 說明: General View

4 Attach\_20180220115543.JPG  
Description 說明: General View

5  
Description 說明:

6  
Description 說明:

7  
Description 說明:

8  
Description 說明:

9  
Description 說明:

Other Attachments 其他附件 (Please specific 請註明)

Add Others      Delete Others

1  
Subject Title 標題:  
Description 說明:

Note 注意

Please read in conjunction with TD's Guidelines on Tree Risk Assessment and Management Arrangement and relevant Technical Circulars promulgated on Development Bureau website www.trees.gov.hk  
請參閱發展局網頁 www.trees.gov.hk 有關樹木管理事宜的樹木風險評估安排及有關指引等相關技術通告



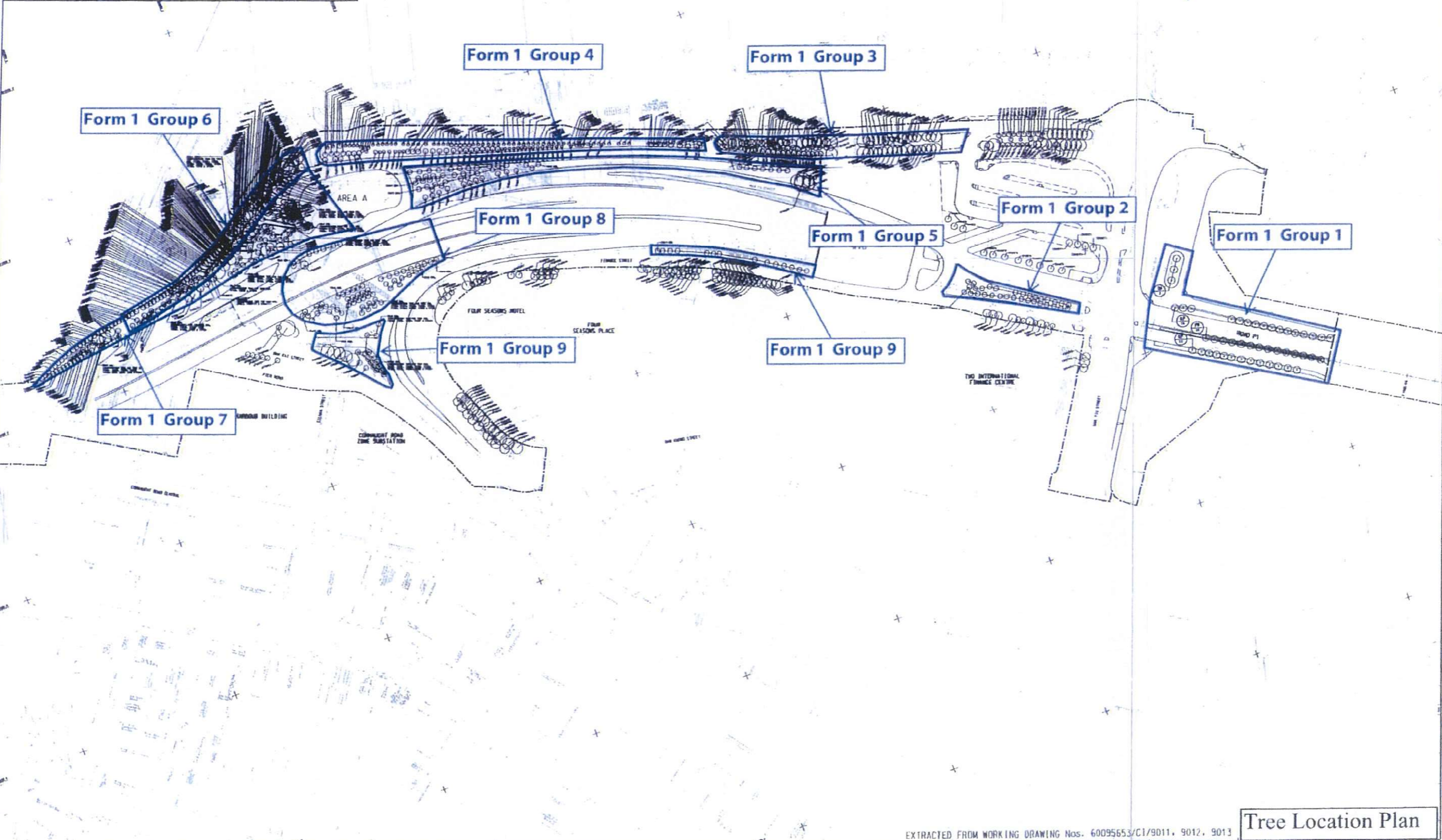
**GENERAL NOTES FOR LANDSCAPE WORKS:**

1. GENERAL INFORMATION
2. PLANTING PATTERNS
3. PLANTING SPECIFICATIONS
4. PLANTING SCHEDULE
5. PLANTING DETAILS
6. PLANTING NOTES
7. PLANTING LEGEND
8. PLANTING SCHEDULE
9. PLANTING DETAILS
10. PLANTING NOTES
11. PLANTING LEGEND
12. PLANTING SCHEDULE
13. PLANTING DETAILS
14. PLANTING NOTES
15. PLANTING LEGEND
16. PLANTING SCHEDULE
17. PLANTING DETAILS
18. PLANTING NOTES
19. PLANTING LEGEND
20. PLANTING SCHEDULE
21. PLANTING DETAILS
22. PLANTING NOTES
23. PLANTING LEGEND
24. PLANTING SCHEDULE
25. PLANTING DETAILS
26. PLANTING NOTES
27. PLANTING LEGEND
28. PLANTING SCHEDULE
29. PLANTING DETAILS
30. PLANTING NOTES
31. PLANTING LEGEND
32. PLANTING SCHEDULE
33. PLANTING DETAILS
34. PLANTING NOTES
35. PLANTING LEGEND
36. PLANTING SCHEDULE
37. PLANTING DETAILS
38. PLANTING NOTES
39. PLANTING LEGEND
40. PLANTING SCHEDULE
41. PLANTING DETAILS
42. PLANTING NOTES
43. PLANTING LEGEND
44. PLANTING SCHEDULE
45. PLANTING DETAILS
46. PLANTING NOTES
47. PLANTING LEGEND
48. PLANTING SCHEDULE
49. PLANTING DETAILS
50. PLANTING NOTES

NO.	SYMBOL	DESCRIPTION	PLANTING CODE	PLANTING CODE	PLANTING CODE
1	(Symbol)	PLANTING CODE	PLANTING CODE	PLANTING CODE	PLANTING CODE
2	(Symbol)	PLANTING CODE	PLANTING CODE	PLANTING CODE	PLANTING CODE
3	(Symbol)	PLANTING CODE	PLANTING CODE	PLANTING CODE	PLANTING CODE
4	(Symbol)	PLANTING CODE	PLANTING CODE	PLANTING CODE	PLANTING CODE
5	(Symbol)	PLANTING CODE	PLANTING CODE	PLANTING CODE	PLANTING CODE
6	(Symbol)	PLANTING CODE	PLANTING CODE	PLANTING CODE	PLANTING CODE
7	(Symbol)	PLANTING CODE	PLANTING CODE	PLANTING CODE	PLANTING CODE
8	(Symbol)	PLANTING CODE	PLANTING CODE	PLANTING CODE	PLANTING CODE
9	(Symbol)	PLANTING CODE	PLANTING CODE	PLANTING CODE	PLANTING CODE
10	(Symbol)	PLANTING CODE	PLANTING CODE	PLANTING CODE	PLANTING CODE
11	(Symbol)	PLANTING CODE	PLANTING CODE	PLANTING CODE	PLANTING CODE
12	(Symbol)	PLANTING CODE	PLANTING CODE	PLANTING CODE	PLANTING CODE
13	(Symbol)	PLANTING CODE	PLANTING CODE	PLANTING CODE	PLANTING CODE
14	(Symbol)	PLANTING CODE	PLANTING CODE	PLANTING CODE	PLANTING CODE
15	(Symbol)	PLANTING CODE	PLANTING CODE	PLANTING CODE	PLANTING CODE
16	(Symbol)	PLANTING CODE	PLANTING CODE	PLANTING CODE	PLANTING CODE
17	(Symbol)	PLANTING CODE	PLANTING CODE	PLANTING CODE	PLANTING CODE
18	(Symbol)	PLANTING CODE	PLANTING CODE	PLANTING CODE	PLANTING CODE
19	(Symbol)	PLANTING CODE	PLANTING CODE	PLANTING CODE	PLANTING CODE
20	(Symbol)	PLANTING CODE	PLANTING CODE	PLANTING CODE	PLANTING CODE
21	(Symbol)	PLANTING CODE	PLANTING CODE	PLANTING CODE	PLANTING CODE
22	(Symbol)	PLANTING CODE	PLANTING CODE	PLANTING CODE	PLANTING CODE
23	(Symbol)	PLANTING CODE	PLANTING CODE	PLANTING CODE	PLANTING CODE
24	(Symbol)	PLANTING CODE	PLANTING CODE	PLANTING CODE	PLANTING CODE
25	(Symbol)	PLANTING CODE	PLANTING CODE	PLANTING CODE	PLANTING CODE
26	(Symbol)	PLANTING CODE	PLANTING CODE	PLANTING CODE	PLANTING CODE
27	(Symbol)	PLANTING CODE	PLANTING CODE	PLANTING CODE	PLANTING CODE
28	(Symbol)	PLANTING CODE	PLANTING CODE	PLANTING CODE	PLANTING CODE
29	(Symbol)	PLANTING CODE	PLANTING CODE	PLANTING CODE	PLANTING CODE
30	(Symbol)	PLANTING CODE	PLANTING CODE	PLANTING CODE	PLANTING CODE
31	(Symbol)	PLANTING CODE	PLANTING CODE	PLANTING CODE	PLANTING CODE
32	(Symbol)	PLANTING CODE	PLANTING CODE	PLANTING CODE	PLANTING CODE
33	(Symbol)	PLANTING CODE	PLANTING CODE	PLANTING CODE	PLANTING CODE
34	(Symbol)	PLANTING CODE	PLANTING CODE	PLANTING CODE	PLANTING CODE
35	(Symbol)	PLANTING CODE	PLANTING CODE	PLANTING CODE	PLANTING CODE
36	(Symbol)	PLANTING CODE	PLANTING CODE	PLANTING CODE	PLANTING CODE
37	(Symbol)	PLANTING CODE	PLANTING CODE	PLANTING CODE	PLANTING CODE
38	(Symbol)	PLANTING CODE	PLANTING CODE	PLANTING CODE	PLANTING CODE
39	(Symbol)	PLANTING CODE	PLANTING CODE	PLANTING CODE	PLANTING CODE
40	(Symbol)	PLANTING CODE	PLANTING CODE	PLANTING CODE	PLANTING CODE
41	(Symbol)	PLANTING CODE	PLANTING CODE	PLANTING CODE	PLANTING CODE
42	(Symbol)	PLANTING CODE	PLANTING CODE	PLANTING CODE	PLANTING CODE
43	(Symbol)	PLANTING CODE	PLANTING CODE	PLANTING CODE	PLANTING CODE
44	(Symbol)	PLANTING CODE	PLANTING CODE	PLANTING CODE	PLANTING CODE
45	(Symbol)	PLANTING CODE	PLANTING CODE	PLANTING CODE	PLANTING CODE
46	(Symbol)	PLANTING CODE	PLANTING CODE	PLANTING CODE	PLANTING CODE
47	(Symbol)	PLANTING CODE	PLANTING CODE	PLANTING CODE	PLANTING CODE
48	(Symbol)	PLANTING CODE	PLANTING CODE	PLANTING CODE	PLANTING CODE
49	(Symbol)	PLANTING CODE	PLANTING CODE	PLANTING CODE	PLANTING CODE
50	(Symbol)	PLANTING CODE	PLANTING CODE	PLANTING CODE	PLANTING CODE

**LEGEND:**

- (Symbol) SITE BOUNDARY
- (Symbol) EXISTING TREE TO BE RETAINED
- (Symbol) PROPOSED TREE PLANTING
- (Symbol) PROPOSED PALM PLANTING
- (Symbol) PROPOSED TREE WITH SHARP CORNERS ETC.
- (Symbol) TREE LOCATION AT PROPOSED SITE WITH CONSTRUCTION BOUNDARY
- (Symbol) PROPOSED TREE PLANTING AT ROAD P1



Tree Location Plan

EXTRACTED FROM WORKING DRAWING Nos. 60095653/C1/9011, 9012, 9013



Contract No.: HY/2009/18  
Central - Wan Chai Bypass - Central Interchange

Photo Record of Tree Risk Assessment Form 1 Report - Group 2



Attach\_20180220115529



Attach\_20180220115533



Attach\_20180308160751



Attach\_20180220115543

**AECOM**

AECOM  
8/F, Grand Central Plaza, Tower 2,  
138 Shatin Rural Committee Road,  
Shatin, Hong Kong  
香港新界沙田鄉事會路 138 號  
新城市中央廣場第 2 座 8 樓  
www.aecom.com

Engineer's Representative's Office  
Room 1401-06, 14/F., Eastern Centre,  
1065 King's Road, Quarry Bay, H.K.  
香港鰂魚涌英皇道 1065 號  
東達中心 14 樓 1401-06 室  
+852 3650 1600 tel  
+852 3665 0106 fax

Your Ref. : -  
Our Ref. : CWB/(HY/2009/18)/C55/500/18B011456

22 MAY 2017



22 May 2017

Leisure and Cultural Services Department  
Leisure Services Branch  
Leisure Services Branch – Division 2  
Leisure Management/ Hong Kong West  
Central and Western District Leisure Services Office  
Room 1001, 10/F., Sheung Wan Municipal Services Building,  
345 Queen's Road Central,  
Hong Kong.

Attn.: Mr. Philip Wong

Dear Sir,

**Contract No. HY/2009/18**  
**Central - Wan Chai Bypass – Central Interchange**

**Final Handing Over Inspection of Pier Road Planter**

I refer to the joint site handing over inspection amongst Mr. Philip Wong (LCSD), Miss Wayne Law (LCAL) and Mr. Nelson Chin (AECOM) on 18 May 2017 regarding the captioned subject. I would like to record that LCSD expressed satisfaction on the condition of shrubs and had no objection to take over the horticultural maintenance of the said planter with effective from 19 May 2017.

----- I attach herewith record photos for your record purpose. Should you have any queries, please feel free to contact my RE, Mr. Nelson Chin at 6461 8784.

Yours faithfully,  
For and on behalf of  
AECOM Asia Co. Ltd.

David Kwan  
Chief Resident Engineer

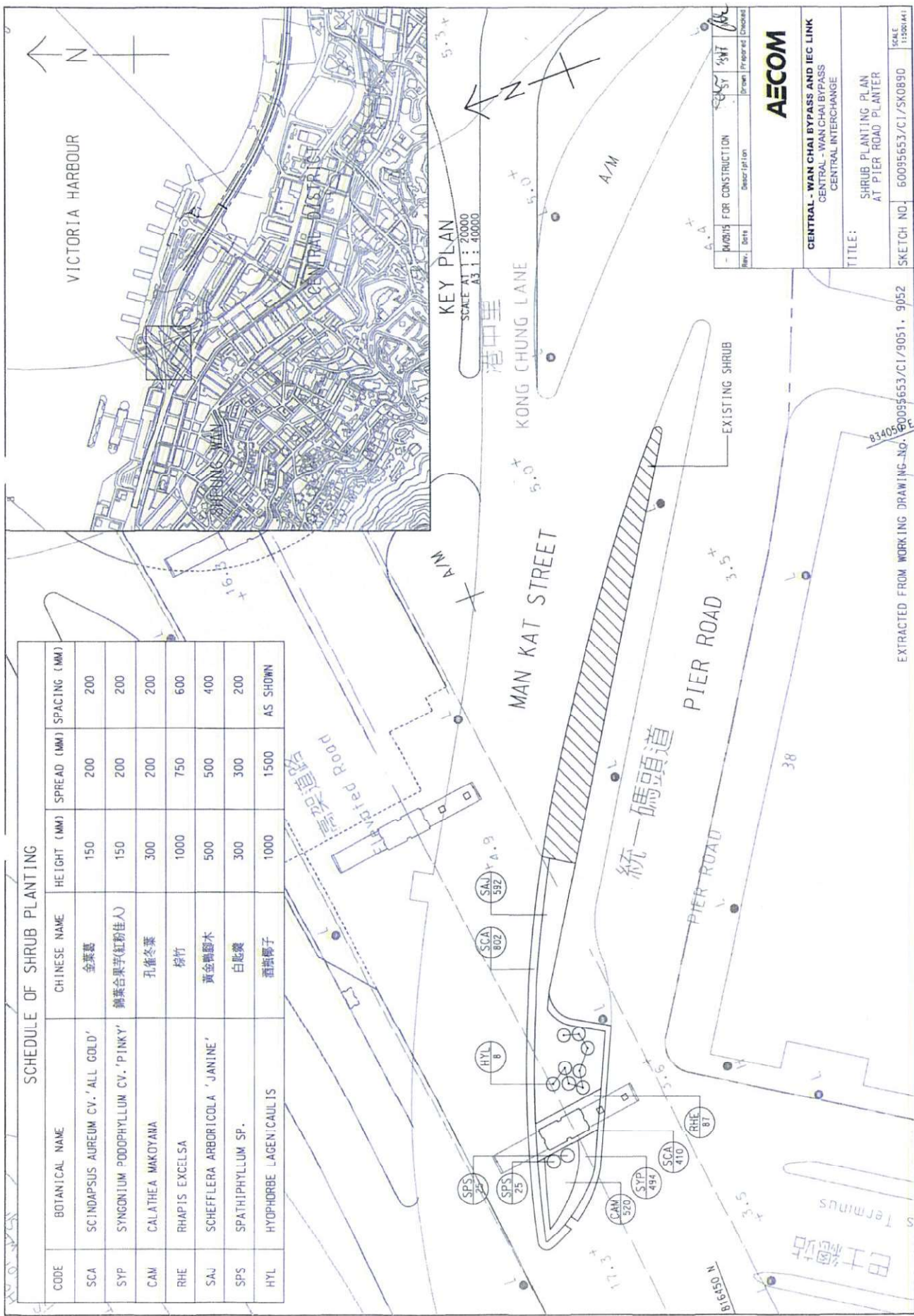
Encl.  
c.c. CE3/MW, HyD - Attn.: Ms. Sally Kung ] – w/encl.  
e.c. AECOM - Attn.: Mr. Alex Li / Ms. Ivy Chung  
Response required : Yes / No

DK/RY/NO/al



SCHEDULE OF SHRUB PLANTING

CODE	BOTANICAL NAME	CHINESE NAME	HEIGHT (MM)	SPREAD (MM)	SPACING (MM)
SCA	SCINDAPSUS AUREUM CV. 'ALL GOLD'	金葉葛	150	200	200
SYP	SYNGONIUM PODOPHYLLUM CV. 'PINKY'	錦蕨合果草(紅粉佳人)	150	200	200
CAM	CALATHEA MAKOYANA	孔雀冬蕨	300	200	200
RHE	RHAPIS EXCELSA	棕竹	1000	750	600
SAJ	SCHEFFLERA ARBORICOLA 'JANINE'	黃金鶴腳木	500	500	400
SPS	SPATHIPHYLLUM SP.	白匙羹	300	300	200
HYL	HYOPHORBE LAGENICAILIS	酒瓶椰子	1000	1500	AS SHOWN



KEY PLAN  
SCALE A1 : 20000  
A3 : 40000

Rev.	Date	Description	Drawn	Prepared	Checked
		WORKS FOR CONSTRUCTION	SEY	SYH	BL

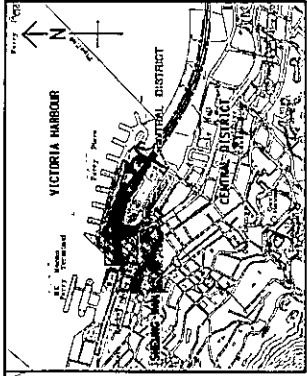
**AECOM**

CENTRAL - WAN CHAI BYPASS AND IEC LINK  
CENTRAL - WAN CHAI BYPASS  
CENTRAL INTERCHANGE

TITLE: SHRUB PLANTING PLAN  
AT PIER ROAD PLANTER

SKETCH NO. 60095653/CI/SK0890 SCALE 1:1000(A4)

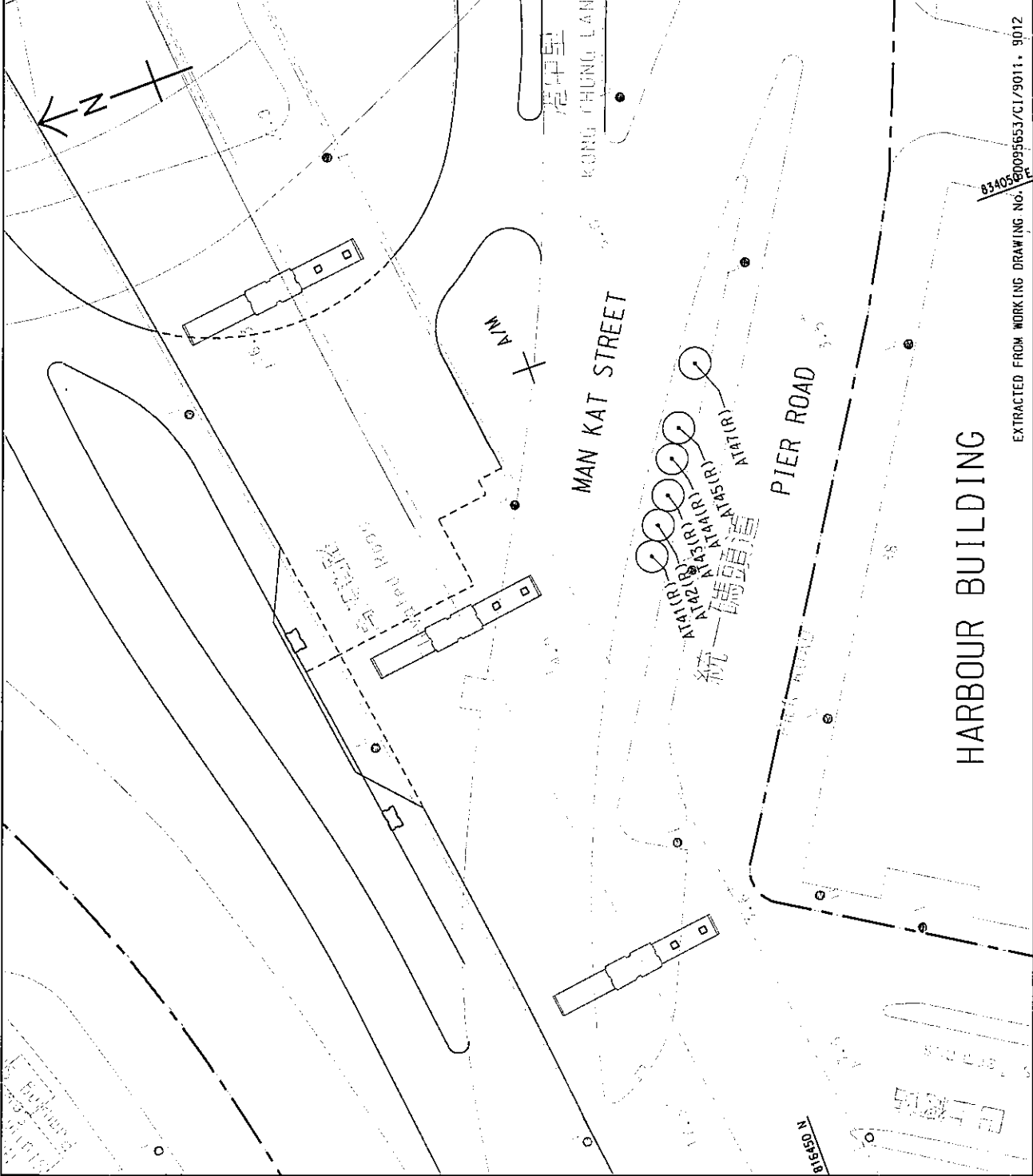
EXTRACTED FROM WORKING DRAWING NO. 60095653/CI/9051. 9952



KEY PLAN  
SCALE: 1 : 40000

LEGEND:

- SITE BOUNDARY
- AT41(R)
- EXISTING TREE TO BE RETAINED



REV	DATE	FOR RECORD ONLY	KYH	CWC	NC

**AECOM**

CENTRAL - WAN CHAI BYPASS AND IEC LINK  
CENTRAL - WAN CHAI BYPASS  
CENTRAL INTERCHANGE

TITLE:  
EXISTING TREE AT PIER ROAD PLANTER

SKETCH NO. 60095653/CI/SK1204  
SCALE 1:5000(44)

EXTRACTED FROM WORKING DRAWING No. 8340560095653/CI/9011.9012





AECOM  
8/F, Grand Central Plaza, Tower 2,  
138 Shatin Rural Committee Road,  
Shatin, Hong Kong  
香港新界沙田鄉事會路 138 號  
新城市中央廣場第 2 座 8 樓  
www.aecom.com

Engineer's Representative's Office  
Room 1401-06, 14/F., Eastern Centre,  
1065 King's Road, Quarry Bay, H.K.  
香港鰂魚涌英皇道 1065 號  
東達中心 14 樓 1401-06 室  
+852 3650 1600 tel  
+852 3665 0106 fax

Your Ref. : -  
Our Ref. : CWB/(HY/2009/18)/C55/500/18B010627

19 May 2016

20 MAY 2016



18B010627

Leisure and Cultural Services Department  
Leisure Services Branch  
Leisure Services Branch - Division 2  
Leisure Management/Hong Kong West  
Central and Western District Leisure Services Office  
Room 1001, 10/F., Sheung Wan Municipal Services Building,  
345 Queen's Road Central,  
Hong Kong.

Attn.: Mr. Philip Wong

Dear Sir,

**Contract No. HY/2009/18**  
**Central-Wan Chai Bypass – Central Interchange**

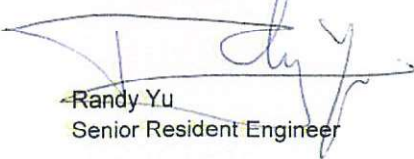
**Handover Meeting of Retain Trees (T1140 – T1161 and T1221) next to Man Yiu Street PT1**

I refer to the joint site handing over inspection amongst Mr. Philip Wong (LCSD), Miss Wayne Law (LCAL) and Mr. Nelson Chin (AECOM) on 9 May 2016 regarding the captioned subject, I would like to record the following salient points as discussed during the inspection:-

- 
- 1) AECOM briefed LCSD that tree nos. T1140 – T1161 and T1221 (total of 23 numbers) were retained trees and tree nos. T1162 – T1170, T1203 – T1214 (total of 21 numbers) were transplanted trees under Highways Contract No. 04/HY/2006 - PWP 6579TH that was shown in the attached Site Sketch No. 60095653/CI/SK1061.
  - 2) Trees no. T1162 – T1170, T1203 – T1214 were handed over to your department on 9 May 2014.
  - 3) LCSD expressed satisfactory on the condition of Trees no. T1140 - T1161 and T1221 and had no objection to take over the horticultural maintenance effective on 9 May 2016. LCSD requested for the submission of Tree Group Inspection Form (Form 1) which is attached herewith.
- 

Should you have any queries, please free feel to contact my RE, Mr. Nelson Chin at 6461 8784.

Yours faithfully,  
For and on behalf of  
AECOM Asia Co. Ltd.

  
Randy Yu  
Senior Resident Engineer

Encl.  
c.c. CE3/MW, HyD - Attn.: Ms. Sally Kung ] – w/o encl.  
e.c. AECOM - Attn.: Mr. Alex Li / Ms. Ivy Chung  
Response required : Yes / No  
RY/NC/al



**KEY PLAN**  
SCALE 1:10000

**NOTES:**  
1. TRANSPLANTED TREES AND RETAIN TREES SHOULD BE TAKEN UP BY LCSD.

**LEGEND:**

--- SITE BOUNDARY

⊙ T1168(T) FINAL LOCATION OF PLANTING TREES ALREADY HANDED OVER TO LCSD ON 09 MAY 2014.

⊙ T1221(R) RETAIN TREES ALREADY HANDED OVER TO LCSD ON 09 MAY 2016.

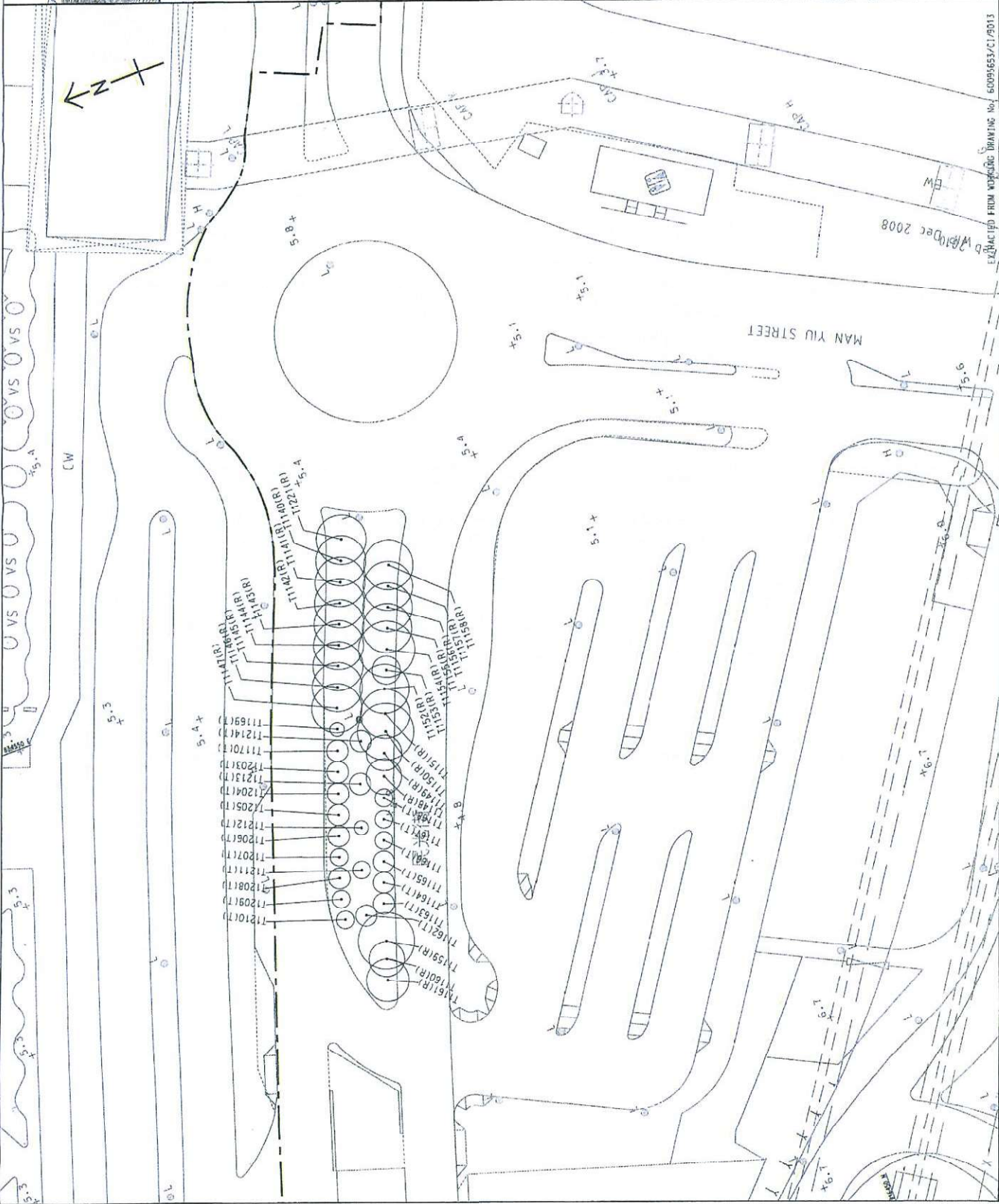
NO.	DATE	DESCRIPTION	BY	CHECKED
1	10/12/08	ISSUED FOR CONSTRUCTION	ABU	ABU

**AECOM**

**CENTRAL - WAN CHAI BYPASS AND IEG LINK**  
CENTRAL - WAN CHAI BYPASS  
CENTRAL INTERCHANGE

TITLE: TREE PLANTING PLAN

SKETCH NO. 60094653/CI/5K1061



EXTRACTED FROM WORKING DRAWING No. 60094653/CI/9013  
10/12/08





AECOM  
8/F, Grand Central Plaza, Tower 2,  
138 Shatin Rural Committee Road,  
Shatin, Hong Kong  
香港新界沙田鄉事會路 138 號  
新城市中央廣場第 2 座 8 樓  
www.aecom.com

Engineer's Representative's Office  
Room 1401-06, 14/F., Eastern Centre,  
1065 King's Road, Quarry Bay, H.K.  
香港鰗魚涌英皇道 1065 號  
東達中心 14 樓 1401-06 室  
+852 3650 1600 tel  
+852 3665 0106 fax

Your Ref. : -  
Our Ref. : CWB/(HY/2009/18)/C55/500/18B011730

21 DEC 2017



18B011730

20 December 2017

Leisure and Cultural Services Department  
Leisure Services Branch  
Leisure Services Branch - Division 2  
Leisure Management/Hong Kong West  
Hong Kong West Tree Team  
4/F., Sun Yat Sen Memorial Park Sports Centre,  
18 Eastern Street North,  
Hong Kong.

Attn.: Mr. Jimmy Lam

Dear Sir,

**Contract No. HY/2009/18**  
**Central-Wan Chai Bypass – Central Interchange**

**Final Handover Inspection of Four Pavement Trees at Man Yiu Street PTI Footpath**

I refer to the joint handing over inspection amongst Mr. Jimmy Lam (LCSD), Nelson Chin (AECOM) and Miss Wayne Law (LCAL) on 18 December 2017 regarding four pavement trees (T3006, T3011, T3015 and T3016) at Man Yiu Street PTI footpath as shown in the enclosed location plan.

I note that your department satisfied with the condition of trees and had no objection to take over the horticultural maintenance with effective from 17 December 2017.

I enclose herewith site photo for your record purpose.

Should you have any queries, please free feel to contact my RE, Mr. Nelson Chin at 6461 8784.

Yours faithfully,  
For and on behalf of  
AECOM Asia Co. Ltd.

David Kwan  
Chief Resident Engineer

Encl.

c.c. CE3/MW, HyD - Attn : Mr. W.K. Lo  
e.c. AECOM - Attn.: Mr. Alex Li / Ms. Ivy Chung

] – w/encl.

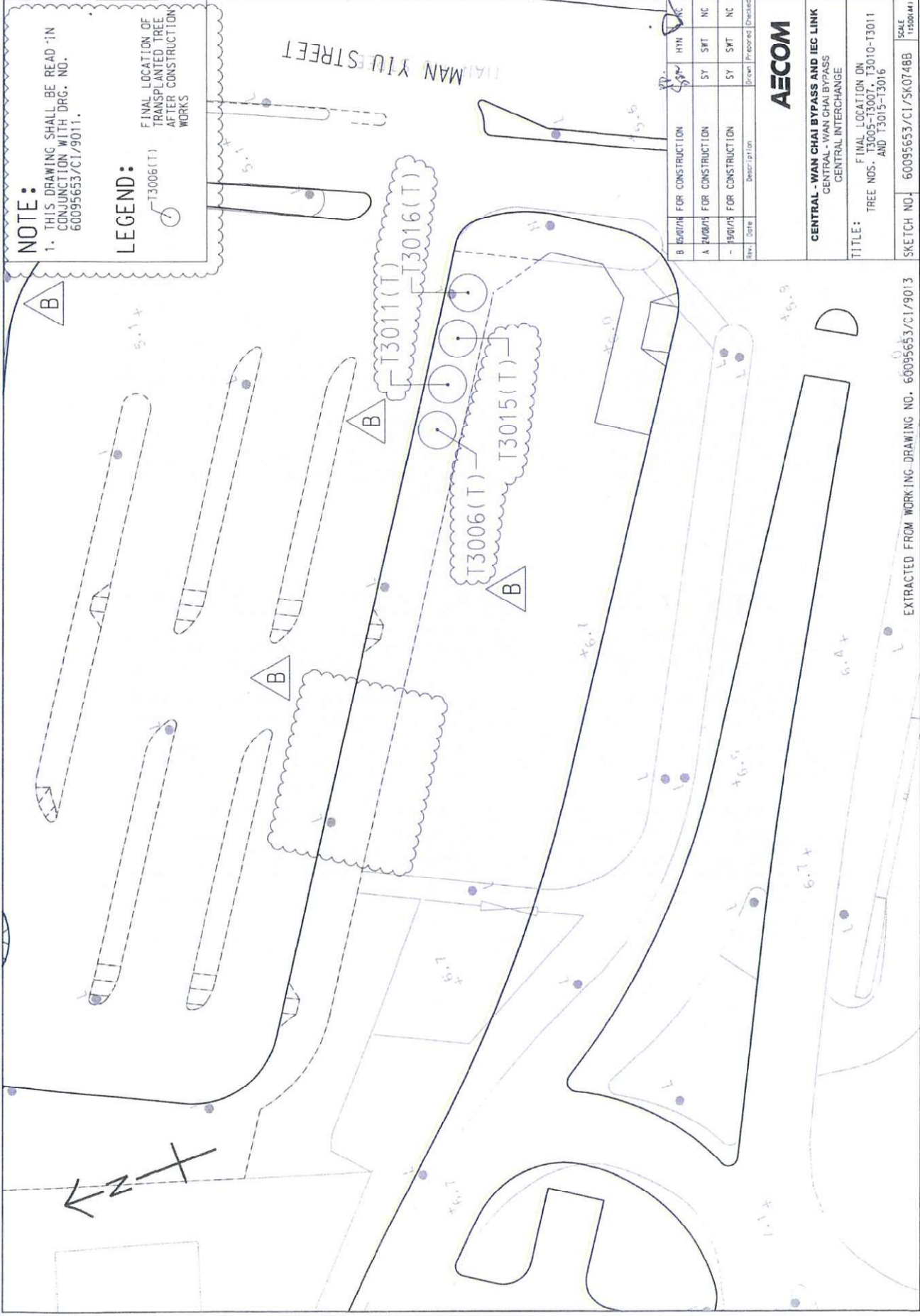
Response required : Yes / No

DK/RY/NO/ai

**NOTE:**  
 1. THIS DRAWING SHALL BE READ IN CONJUNCTION WITH DRG. NO. 60095653/CI/9011.

**LEGEND:**  
 FINAL LOCATION OF TRANSPLANTED TREE AFTER CONSTRUCTION WORKS

MAN YIU STREET



REV.	DATE	DESCRIPTION	Drawn	Prepared	Checked
B	15/07/16	FOR CONSTRUCTION	SY	HW	NC
A	24/08/15	FOR CONSTRUCTION	SY	SFT	NC
-	19/01/15	FOR CONSTRUCTION	SY	SFT	NC

**AECOM**

**CENTRAL - WAN CHAI BYPASS AND IEC LINK**  
 CENTRAL - WAN CHAI BYPASS  
 CENTRAL INTERCHANGE

**TITLE:**  
 FINAL LOCATION ON TREE NOS. T3005-T3007, T3010-T3011 AND T3015-T3016

**SKETCH NO.:** 60095653/CI/SK07488  
**SCALE:** 1:5000(A)

EXTRACTED FROM WORKING DRAWING NO. 60095653/CI/9013





AECOM

8/F, Grand Central Plaza, Tower 2,  
138 Shatin Rural Committee Road,  
Shatin, Hong Kong  
香港新界沙田鄉事會路 138 號  
新城市中央廣場第 2 座 8 樓  
www.aecom.com

Engineer's Representative's Office  
Room 1401-06, 14/F., Eastern Centre,  
1065 King's Road, Quarry Bay, H.K.  
香港鰂魚涌英皇道 1065 號  
東達中心 14 樓 1401-06 室  
+852 3650 1600 tel  
+852 3665 0106 fax

Your Ref. : -  
Our Ref. : CWB/(HY/2009/18)/C55/100/18B010836



4 August 2016

Leisure and Cultural Services Department  
Leisure Services Branch  
Leisure Services Branch - Division 2  
Leisure Management/Hong Kong West  
Central and Western District Leisure Services Office  
Room 1001, 10/F., Sheung Wan Municipal Services Building,  
345 Queen's Road Central,  
Hong Kong.

Attn.: Mr. Philip Wong

Dear Sir,

**Contract No. HY/2009/18**  
**Central – Wan Chai Bypass – Central Interchange**

**Handing Over Inspection of Man Po Street Planter**

I refer to the handing over joint site inspection of Man Po Street planter amongst Ms. S.T. Chan, Mr. Fuji Ho (LCAD), Ms. Wayne Law (LCAL) and Mr. Nelson Chin (AECOM) held on 29 July 2016, I would like to record the following salient points as discussed during the inspection.

- 1) AECOM stated that the establishment period of Man Po Street planter was over 1 year. LCSD expressed satisfaction on the condition of the planter except that there many weeds were found inside the planter. LCAL agreed to remove all the weeds by 31 July 2016.

[Post meeting notes: A subsequent site inspection was held on 1 August 2016 between LCSD, LCAL and AECOM, it was confirmed that all weeds had been removed.]

- 2) LCAL agreed to maintain watering to the planter until the completion of irrigation system which was anticipated by end August 2016.
- 3) LCSD had no objection to take over the horticultural responsibilities effective from 1 August 2016. The layout plans and record photo of the planter are attached herewith for your retention and information.

Should you have any queries, please free feel to contact my RE, Mr. Nelson Chin at 6461 8784.

Yours faithfully,  
For and on behalf of  
AECOM Asia Co. Ltd.

David Kwan  
Chief Resident Engineer

Your Ref. : -  
Our Ref. : CWB/(HY/2009/18)/C55/100/18B010836

Encl.

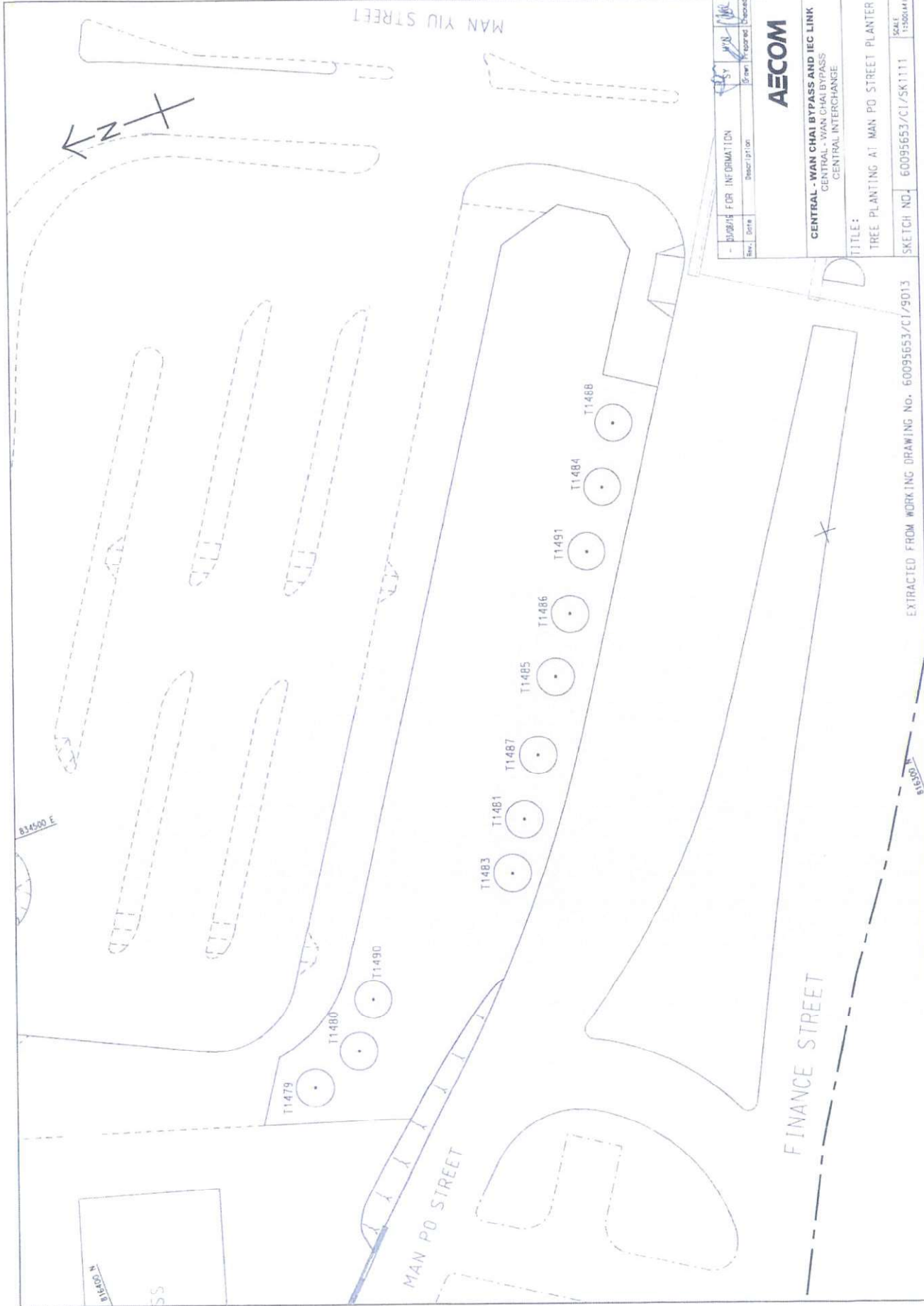
c.c. CE3/MW, HyD - Attn.: Ms. Sally Kung ] - w/encl.  
Urban, HyD - Attn.: Mr. Anthony Kam ] - w/encl.  
CBRE Limited - Attn.: Mr. Michael Chow ] - w/encl.

e.c. AECOM - Attn.: Mr. Alex Li / Ms. Ivy Chung

Response required : Yes / No

DK/RY/NC/al





Rev.	Date	Description	Prepared	Checked
1		FOR INFORMATION	SY	WVA
		Revised 10/10/11	SY	WVA

**AECOM**

**CENTRAL - WAN CHAI BYPASS AND IEC LINK**  
 CENTRAL - WAN CHAI BYPASS  
 CENTRAL INTERCHANGE

TITLE:  
 TREE PLANTING AT MAN PO STREET PLANTER

SKETCH NO. 60095653/CI/SK1111  
 SCALE 1:500(4:1)

EXTRACTED FROM WORKING DRAWING No. 60095653/CI/9013

# **Appendix G**

## **Photographic record of soft landscape and hard landscape Works at Central**



Final Landscape Plan (Draft)

V1 - Yiu Sing Street



V2 - Man Yiu Street (near Public Toilet)



V3 - Man Yiu Street (near Bus Terminus)



V4 - Man Yiu Street Bus Terminus (view from IFC Mall)



V5 - Finance Street (near IFC II)



V6 - Finance Street (near IFC Mall)





Final Landscape Plan (Draft)

V7 - Man Kwong Street East (near Central Piers)



V8 - Man Kwong Street Middle (near Central Piers)



V9 - Man Kwong Street West



V10 - Connaught Road Central Flyover (near Four Seasons Hotel)



V11 - Kong Chung Lane (near Four Seasons Hotel)



V12 - Kong Chung Lane (near Four Seasons Hotel)

