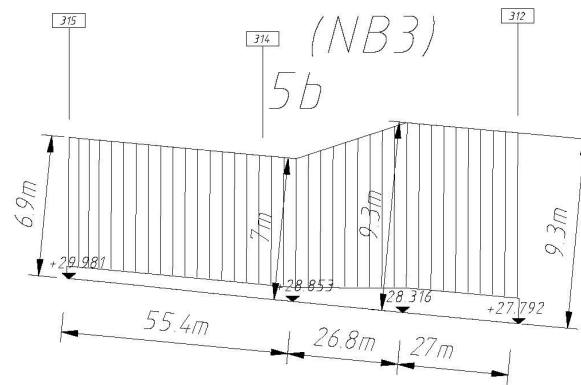
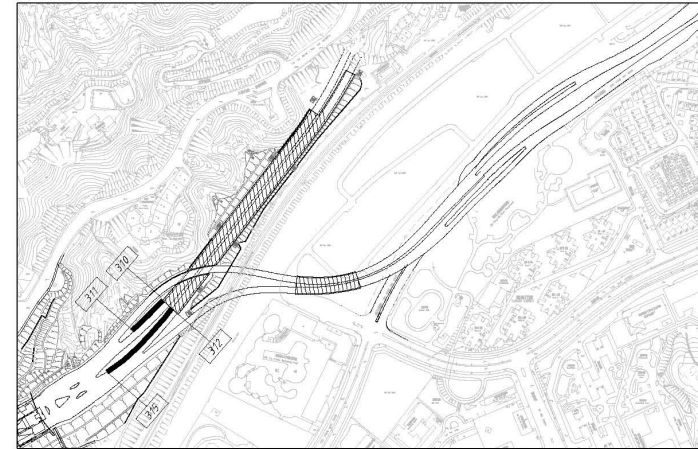


NORTHBOUND MAIN ROAD LEFT SIDE
 SCALE 1 : 5 (VERT.)
 1 : 1 (HOR.)



SOUTHBOUND MAIN ROAD RIGHT SIDE
 SCALE 1 : 5 (VERT.)
 1 : 1 (HOR.)

Route 8 - West Kowloon to Shatin - Entrusted Portion
Figure 2.3 – R.C. Full Enclosure Entrance
 (Extracted from the Application VEP-238/2007)

Environmental Permit No.
EP-104/2001/C