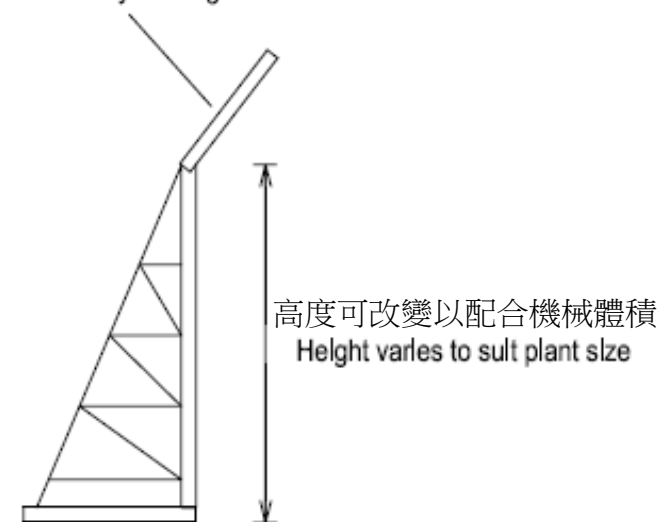


密封式隔音罩系統（組合式）
Acoustic Shelter Enclosure System
(Demountable Type)

Note: Adequate ventilation will be provided as appropriate with necessary noise mitigation to achieve 15 dB(A) noise reduction. The noise enclosure shall be constructed in accordance with relevant safety and legislative requirements in Hong Kong for normal operation. Discharges from any diesel engine within the enclosure should be ducted to the discharge outlets. The ducting is vital for the discharge of combustion exhaust, as it could avoid development of stagnant toxic gas within the enclosure, besides for ensuring proper air circulations.

最少表面密度為每平方米 14 千克
Minimum surface density of 14kg/m²



一般臨時活動隔音屏切面圖（3-5 米高）
Typical Section of Temporary Movable Noise Barrier
(3-5m tall)

備註：以達致減低 15dB(A) 噪音的同時亦應提供足夠通風。密封式隔音罩須根據香港有關安全法例的要求建造。於隔音罩內由柴油發動機所排放的氣體必須經由管道引導致排放口。該管道對排放廢氣非常重要，以防止有毒氣體於隔音罩內聚積，並確保空氣流通。

Project Title: Development of Lok Ma Chau Loop 工程項目名稱: 落馬洲河套地區發展

Figure 4 Indicative drawing for barrier and standard enclosure

圖4 隔音屏與隔音罩的示意圖

(Source: Based on Appendix 4-16 of the approved EIA Report No. AEIAR-176/2013)

(資料來源: 根據環評報告編號 AEIAR-176/2013, 附件 4-16 編制)

Environmental Permit No.

EP-477/2013/A

環境許可證編號

EP-477/2013/A

