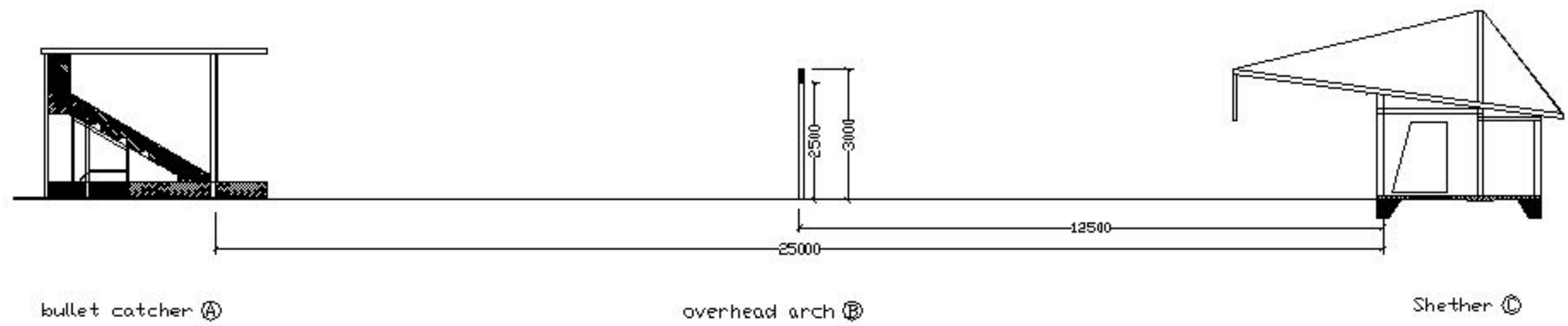


- NOTES
1. ALL DIMENSIONS MUST BE CHECKED ON SITE
 2. DO NOT SCALE DRAWING
 3. DRAWING AND COPY-RIGHT ARE PROPERTY OF THE ARCHITECTURE THE LEUNG PROJECT SERVICES LTD. AND SHALL BE RETURNED AT COMPLETION OF WORK
 4. DRAWING IS NOT VALID FOR CONSTRUCTION UNLESS OTHERWISE NOTIFIED



Shooting Range Section

NO.	DATE	REVISION/REASON
0	22-5-02	ISSUED FOR TENDER

BY: [Signature]
 FOR: [Signature]
 LIAISON: [Signature]



PROJECT
 FUNG WONG HIGH LEVEL
 SERVICE RESERVOIR
 SHOOTING RANGE

DRAWING TITLE
 Shooting Range
 - Section

SCALE
 1:100

DRAWN BY
 DL

CHECKED BY

DATE
 22-5-02

DRAWING NO.
 E-D1-D