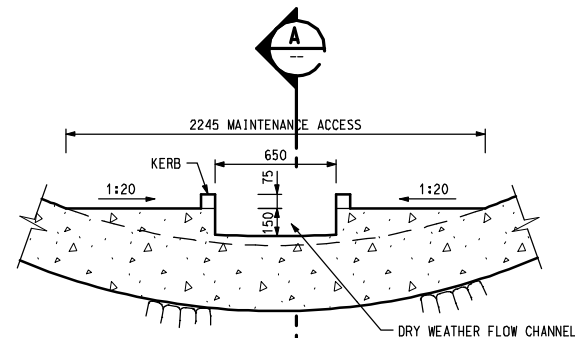
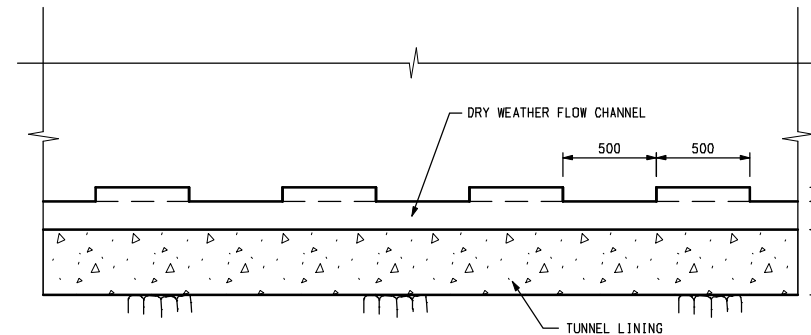


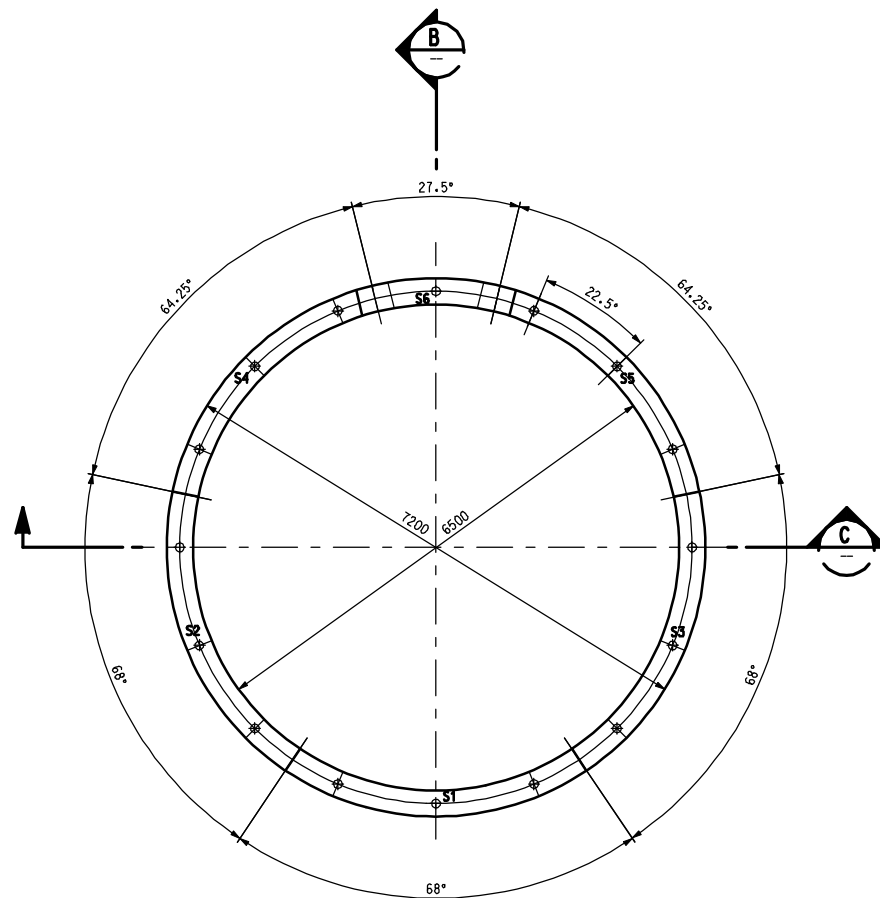
TYPICAL CROSS SECTION OF THE DRAINAGE TUNNEL
SCALE 1:50



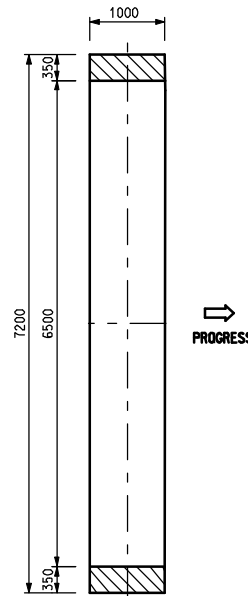
DETAIL A
SCALE 1:20



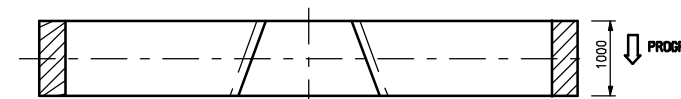
SECTION A
SCALE 1:20



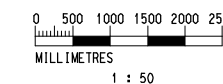
TYPICAL SEGMENTAL LINING
SCALE 1:50



SECTION B
SCALE 1:50



SECTION C
SCALE 1:50



Key Plan:

Notes:

1. CO-ORDINATES REFER TO HONG KONG METRIC GRID (1980).
2. ALL LEVELS ARE IN METRES ABOVE PRINCIPAL DATUM (P.D.).
3. ALL DIMENSIONS ARE IN MILLIMETRES UNLESS OTHERWISE STATED.

Key to symbols

Rev	Date	Drawn	Description	Ch'kd	App'd
01	MAR 05	EL	FOR EIA REPORT		

Client



The Government of the Hong Kong
Special Administrative Region
Drainage Services Department

Consulting Engineers

Mott Connell Ltd.

in Association with
MVA Hong Kong Ltd EDAW Earth Asia Ltd Environmental Resources
WL/Delft Hydraulics Ltd Chesterton Petty Ltd Management

Project

Drainage Improvement in
Tsuen Wan and Kwai Chung -
Tsuen Wan Drainage Tunnel -
Investigation

Title

TYPICAL TUNNEL SECTION

Designed	CF	EL	Eng.Chk.	MT	
Drawn	EL	EL	Approved	TMC	
Dwg.Chk.	KN	YJ	Scale	1 : 50	
Project	204417				Status
CAD file	j:\204417\drawing\figure eia report\FIGURE2.2-01.dgn				
Drawing No.	FIGURE 2.2				Rev 01