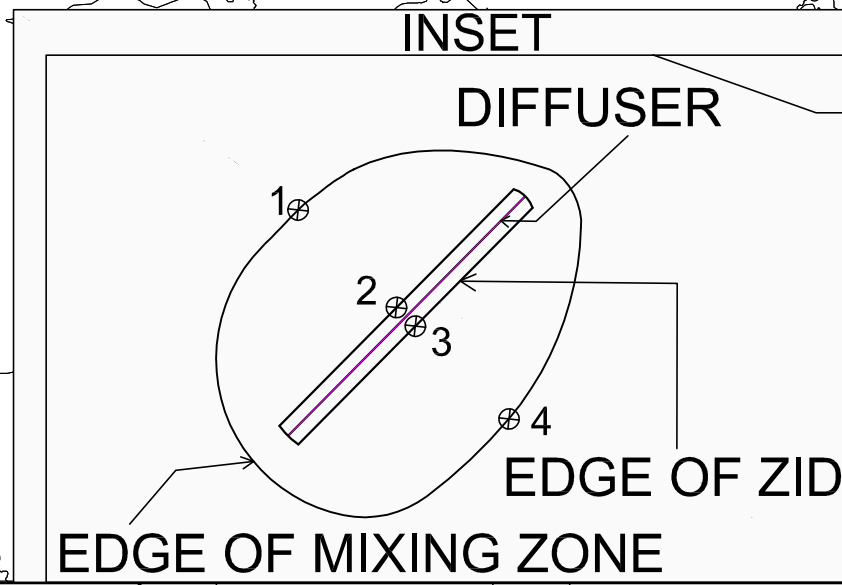


LEGEND:
 ● Monitoring Station

MAUNSELL | AECOM
 Maunsell Consultants Asia Ltd

Agreement No. CE 7/2005 (EP)
 Harbour Area Treatment Scheme - EIA Study for the Provision of Disinfection Facilities at Stonecutters Island STW - Investigation

Proposed Sediment Quality Monitoring Station



SCALE	N.T.S	DATE	APR 2007
CHECK	WWCK	DRAWN	ILPY
JOB No.	A06605	DRAWING No.	7.1
		REV	-