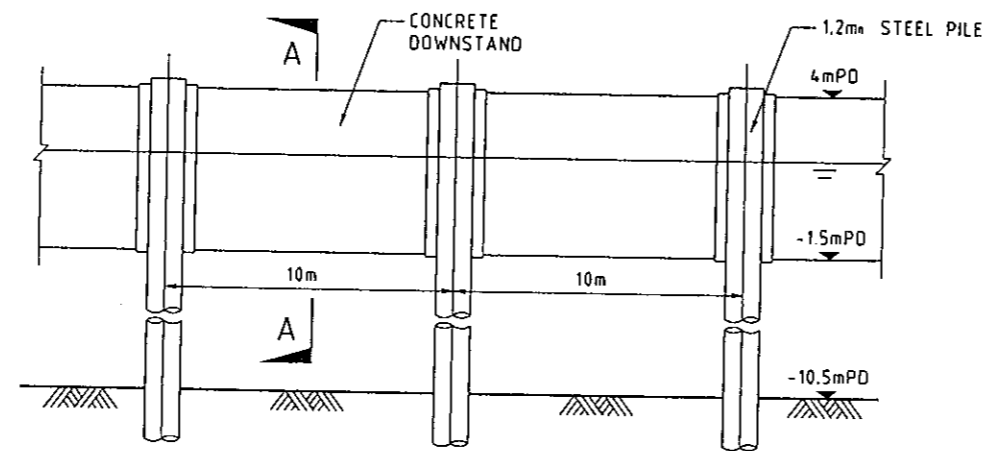


TYPICAL SECTION OF TEMPORARY BREAKWATER
SCALE 1:250



ELEVATION OF PILED WAVE WALL
SCALE 1:250

