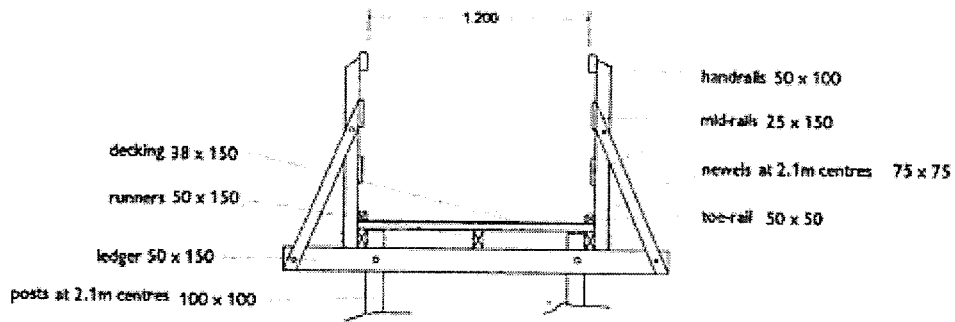


## APPENDIX 14-4 – SPECIFICATIONS FOR FOOTPATHS/BOARD WALKS



All fixings are galvanised or plated

---