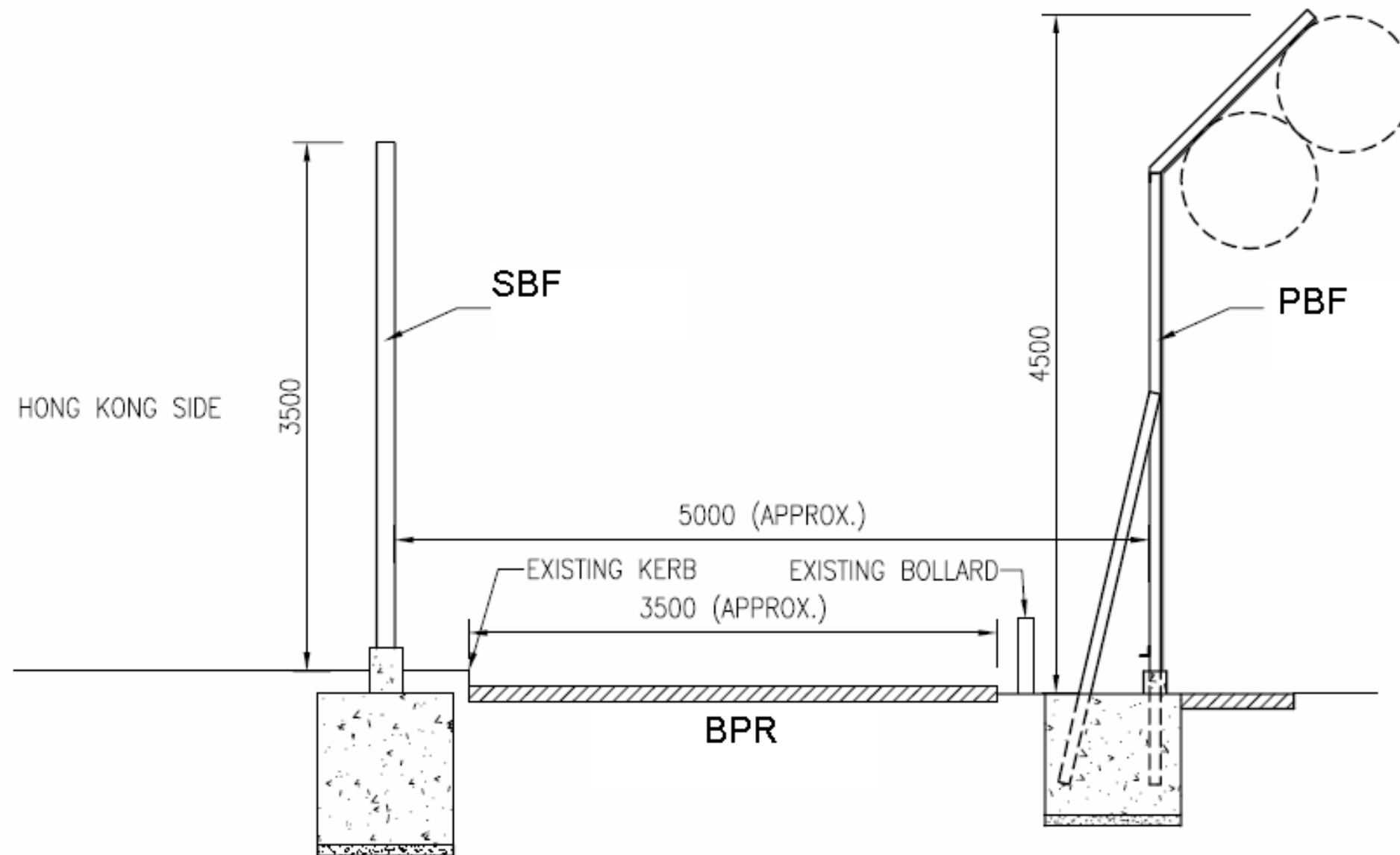


Appendix B1

Typical Cross Sections of Proposed PBF, SBF and BPR



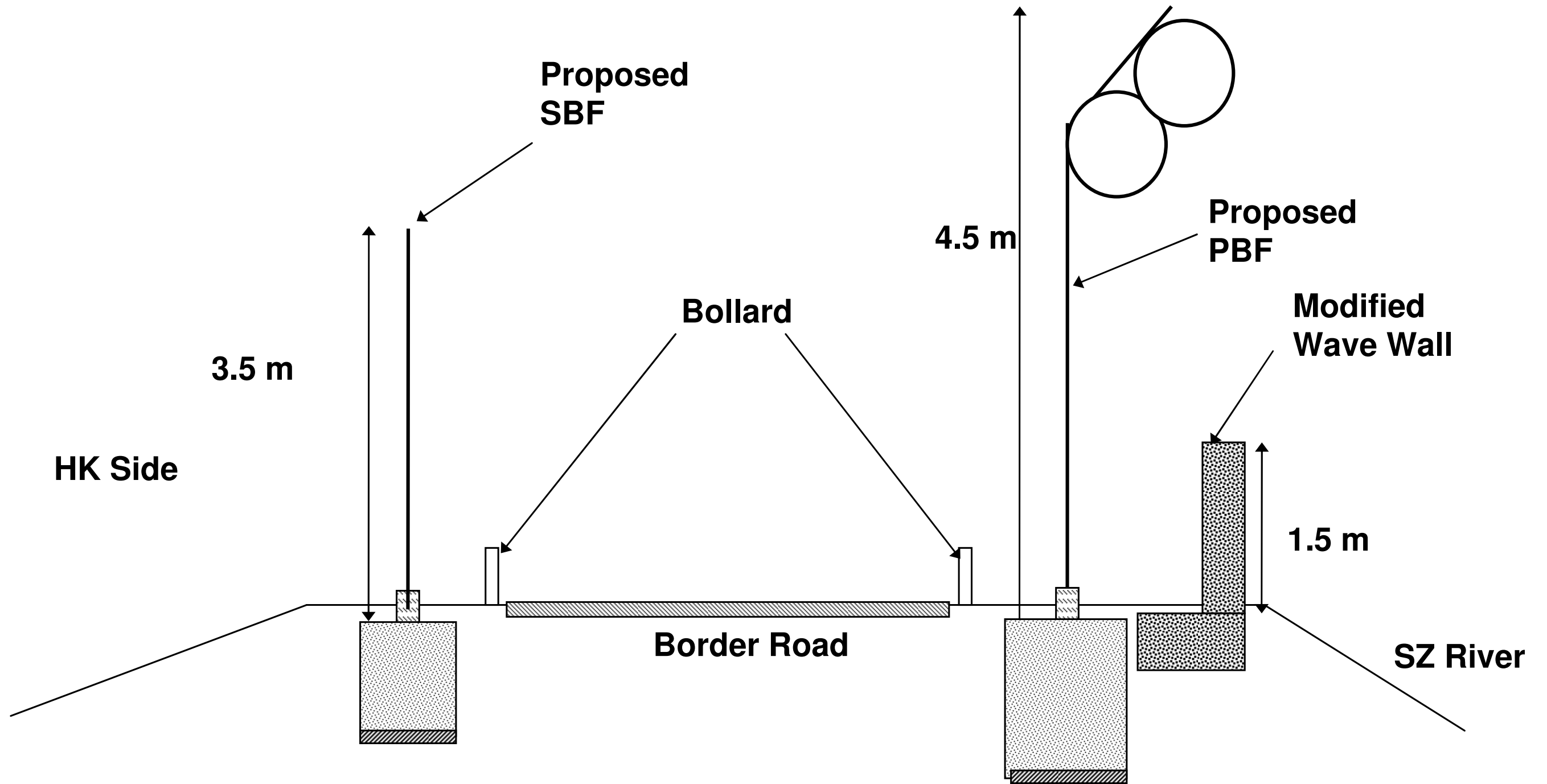
TYPICAL SECTIONS OF SBF, PBF AND BPR

GENERAL NOTES:

1. ALL DIMENSIONS ARE IN MILLIMETER UNLESS OTHERWISE NOTED.
2. ALL SIZES AND DIMENSIONS ARE TO BE VERIFIED ON SITE PRIOR TO FABTICATION AND INSTALLATION .
3. COLOUR SAMPLES ARE TO BE SUBMITTED AND APPROVED TO THE ARCHITECT PRIOR TO FABRICATION

Appendix B2

Typical Cross Sections of Border Road in Section 2

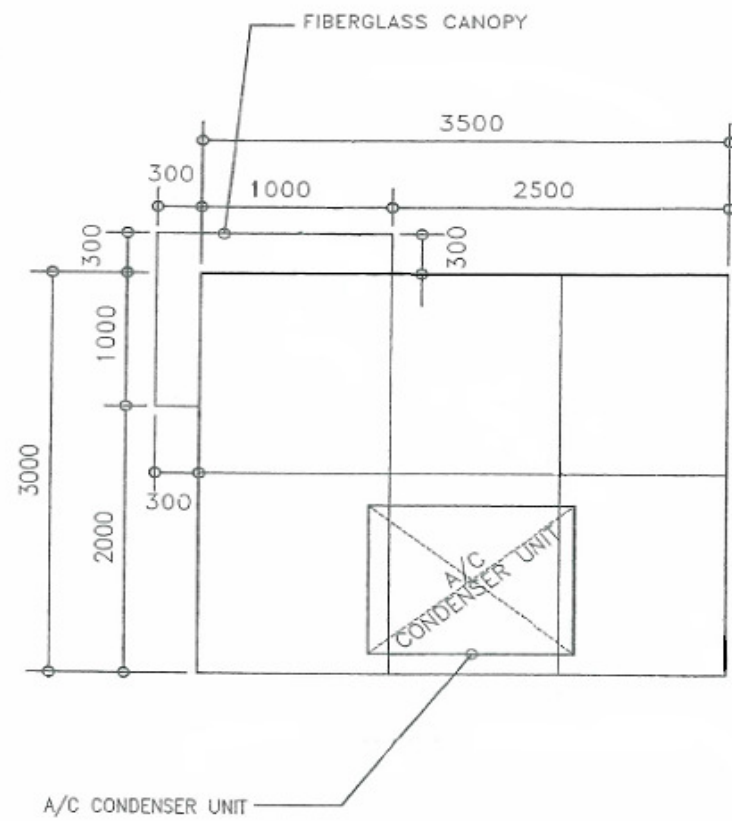


GENERAL NOTES:

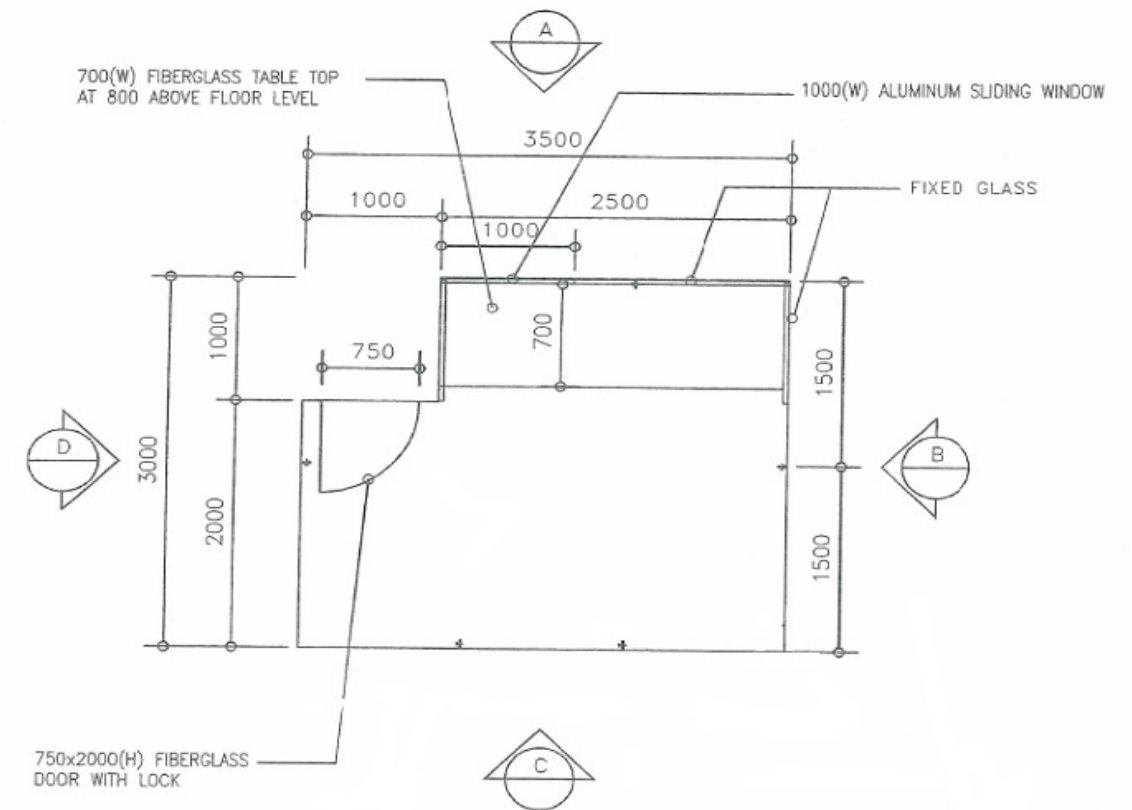
1. ALL DIMENSIONS ARE IN MILLIMETER UNLESS OTHERWISE NOTED.
2. ALL SIZES AND DIMENSIONS ARE TO BE VERIFIED ON SITE PRIOR TO FABTICATION AND INSTALLATION .
3. COLOUR SAMPLES ARE TO BE SUBMITTED AND APPROVED TO THE ARCHITECT PRIOR TO FABRICATION

Appendix B3

Typical Cross Sections of Proposed Checkpoints (1)



2 ROOF PLAN



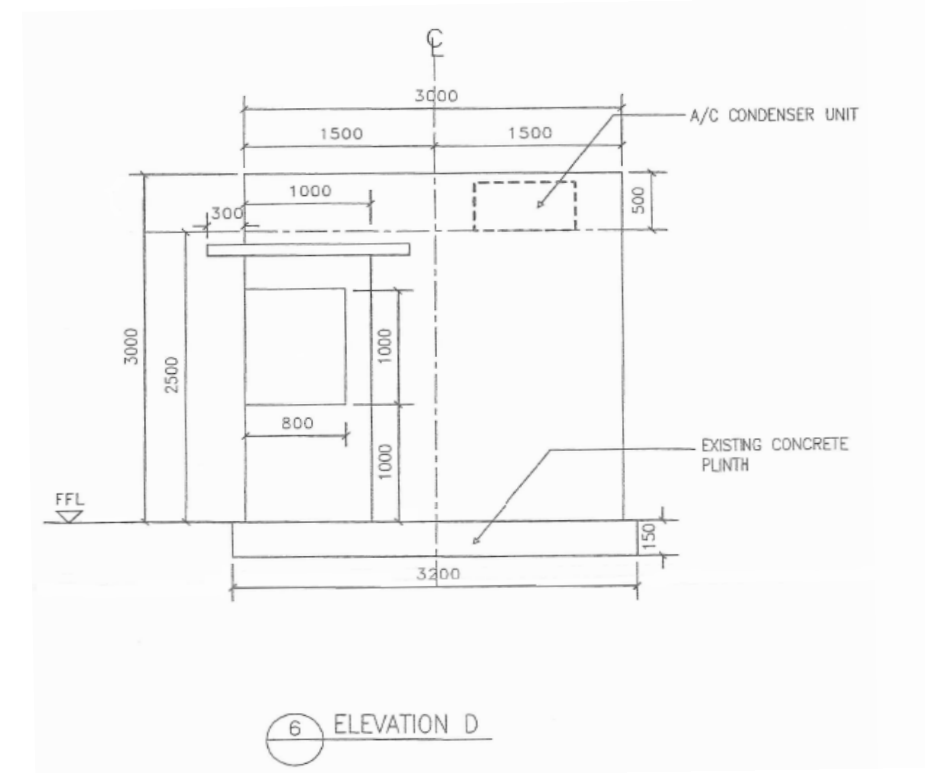
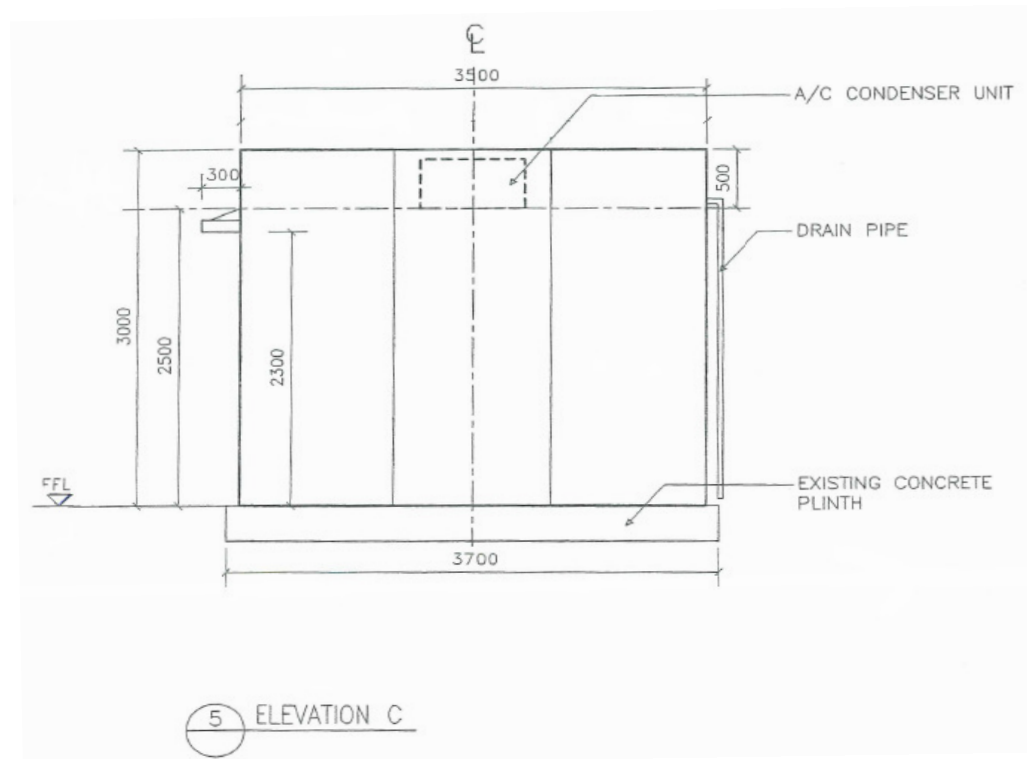
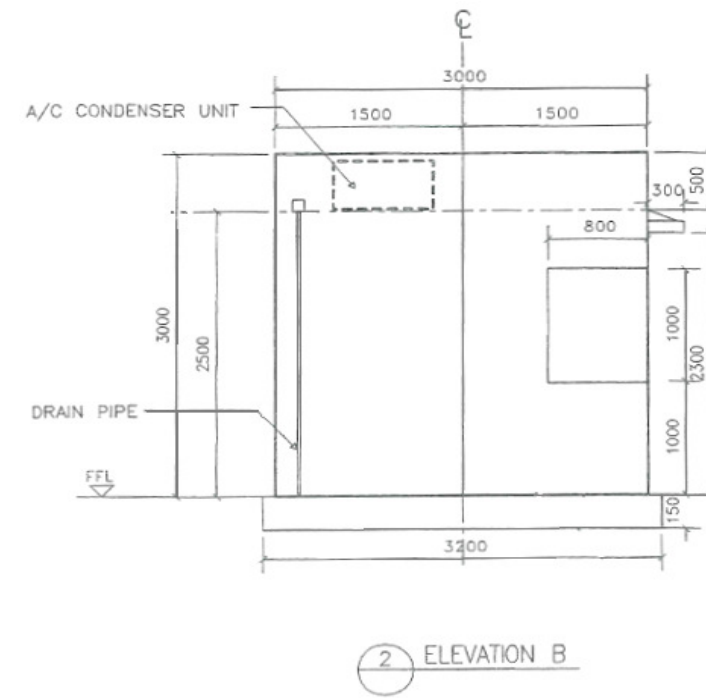
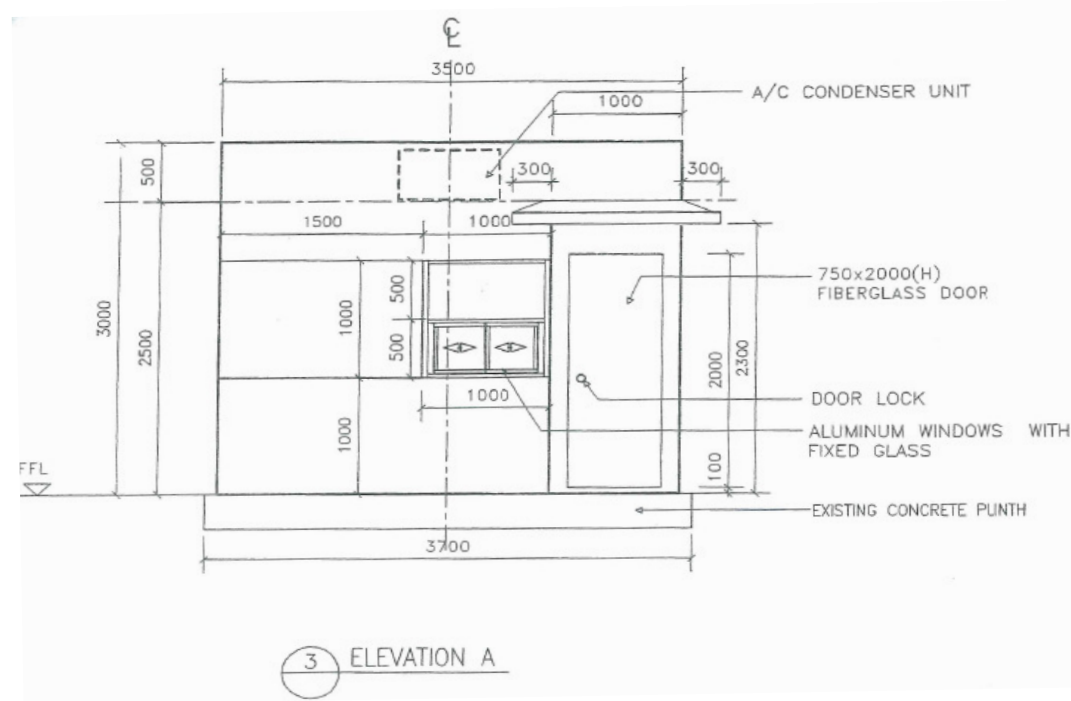
1 FLOOR PLAN

GENERAL NOTES:

1. ALL DIMENSIONS ARE IN MILLIMETER UNLESS OTHERWISE NOTED.
2. ALL SIZES AND DIMENSIONS ARE TO BE VERIFIED ON SITE PRIOR TO FABTICATION AND INSTALLATION .
3. COLOUR SAMPLES ARE TO BE SUBMITTED AND APPROVED TO THE ARCHITECT PRIOR TO FABRICATION

Appendix B4

Typical Cross Sections of Proposed Checkpoints (2)



GENERAL NOTES:

1. ALL DIMENSIONS ARE IN MILLIMETER UNLESS OTHERWISE NOTED.
2. ALL SIZES AND DIMENSIONS ARE TO BE VERIFIED ON SITE PRIOR TO FABTICATION AND INSTALLATION .
3. COLOUR SAMPLES ARE TO BE SUBMITTED AND APPROVED TO THE ARCHITECT PRIOR TO FABRICATION