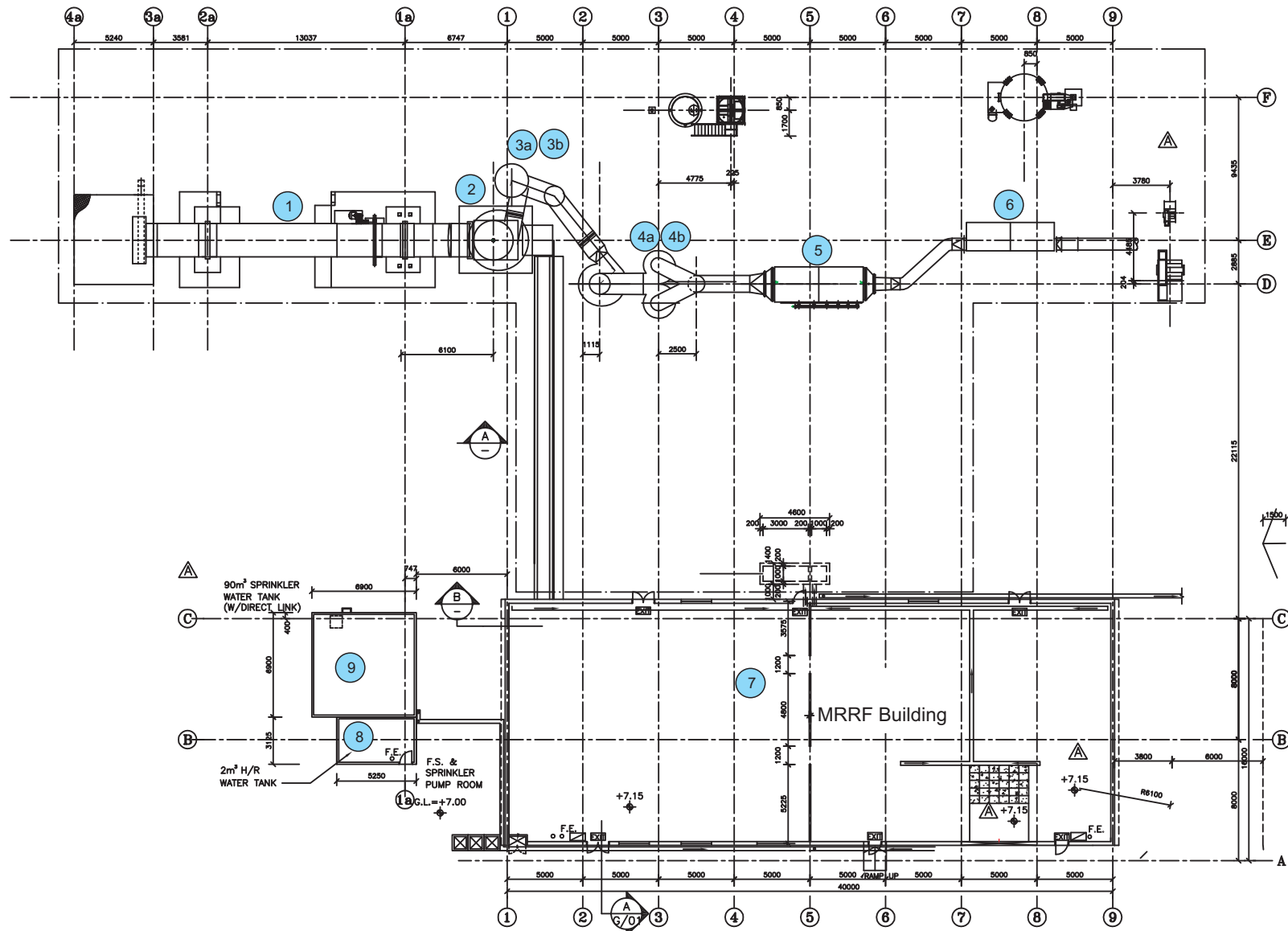
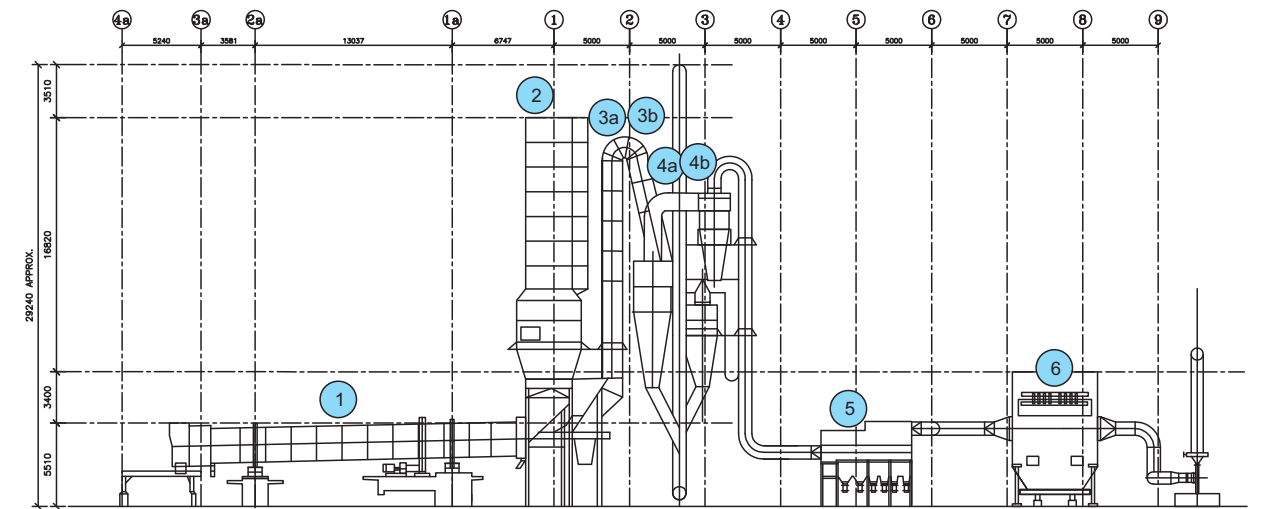


Plan View of CCPP



Elevation Plan of CCPP



Major equipment and building details	
Equipment	Dimension
1 Rotary Kiln	Dia 2.2 x 21.6m long
2 Secondary Combustion Chamber	Dia 2.6 x 16.8m long
3a Precalciner 1	Dia 2.2x11m long
3b Precalciner 2	Dia 1.3x10m long
4a Cyclone 1	cyclone body Dia 2.4x 7.9m height
4b Cyclone 2	cyclone body Dia 1.7x 5.6m height
5 Heat exchanger	2m x 7.6m x 4.8m height
6 Dust collector	3.4m x 7.6m x 10m height
7 MRRF building	40m x 16m x 6.8m
8 FS water tank	7m x 7m x 3.7m height
9 FS water pump house	5.3m x 3.2m x 2.6m height

Figure 2.2b

Structure to be Demolished (1)

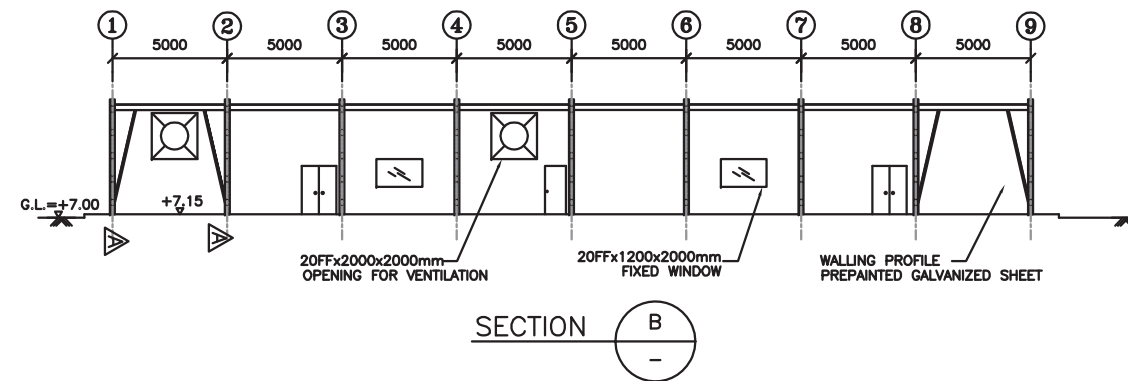
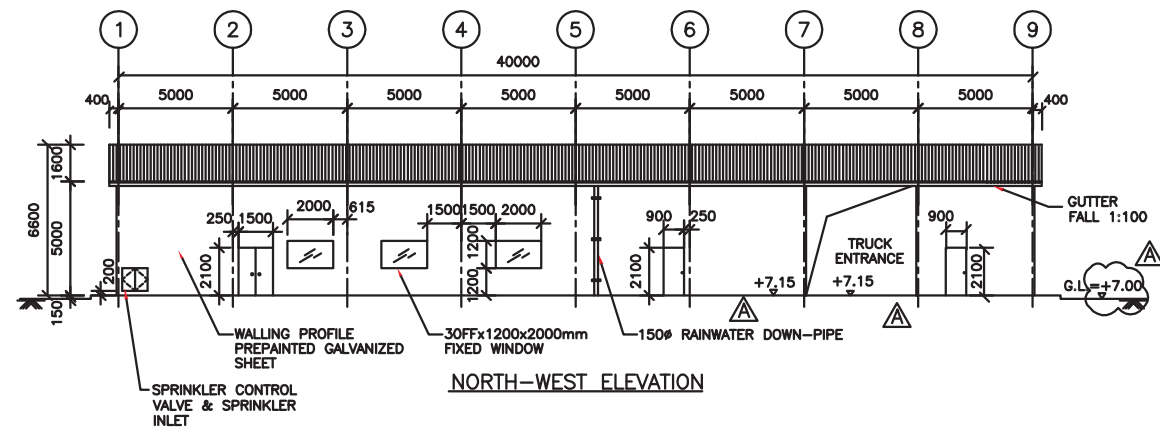
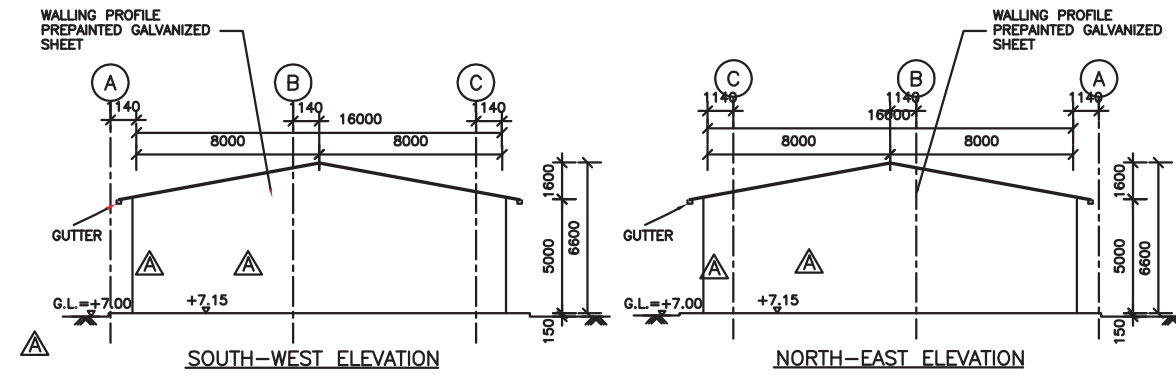
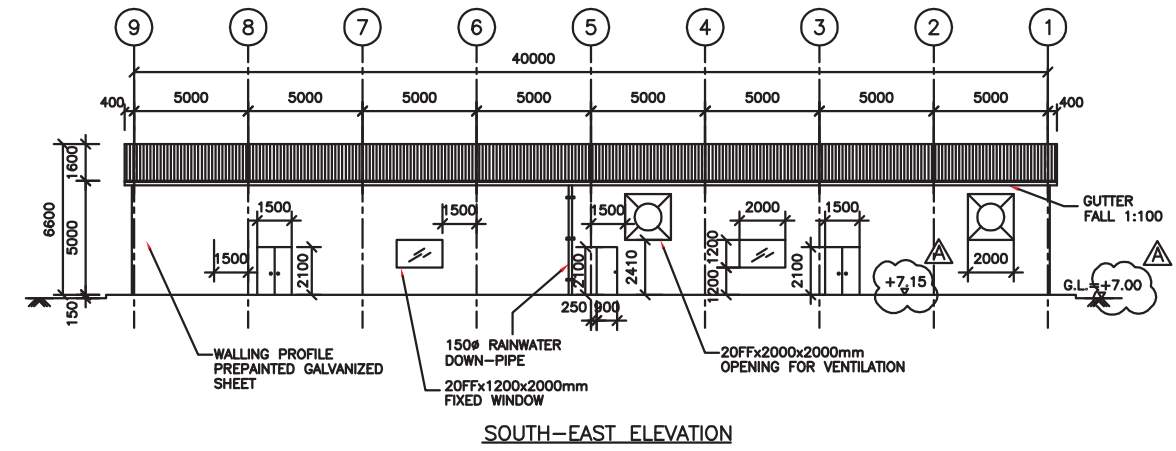
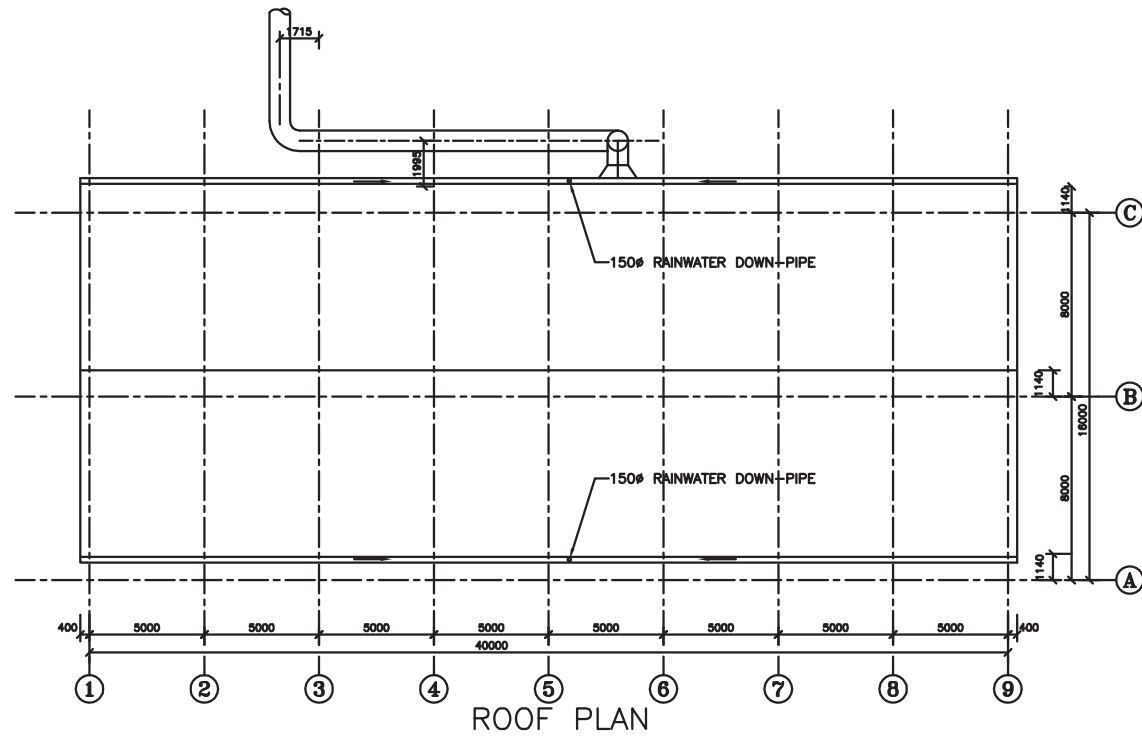


Figure 2.2c

Structure to be Demolished (2)  
(Workshop and Reception Hall)

FILE: 0071019m3  
DATE: 04/03/2009

Environmental  
Resources  
Management



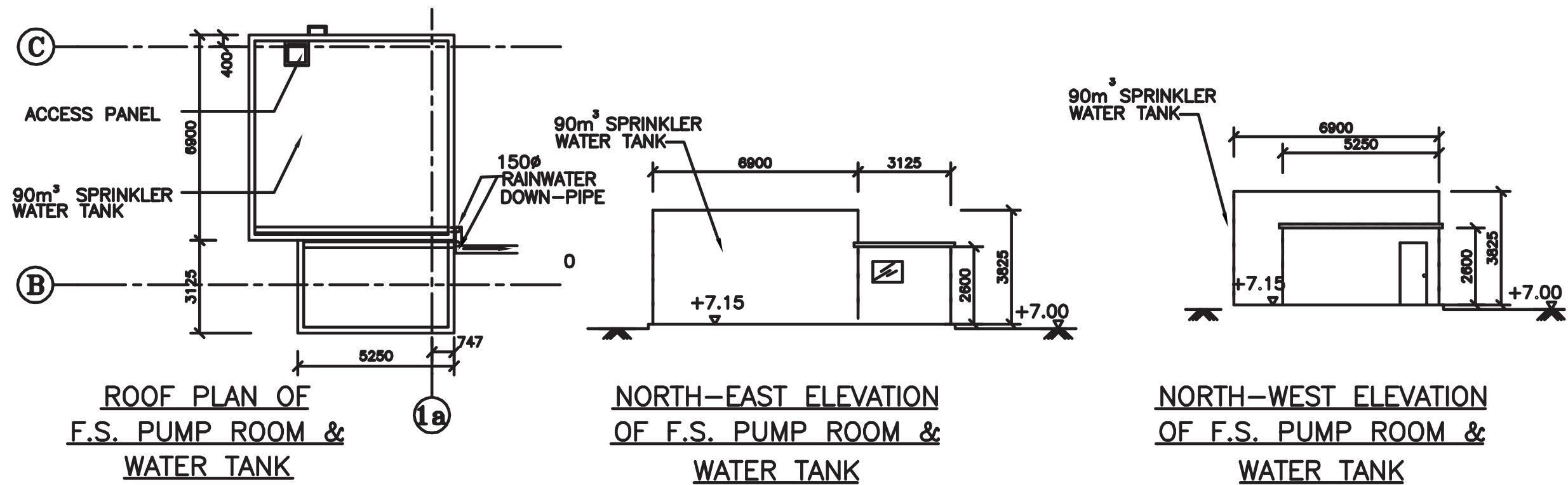


Figure 2.2d

Structure to be Demolished (3)  
(Fire Services Water Tank and Pump Room)