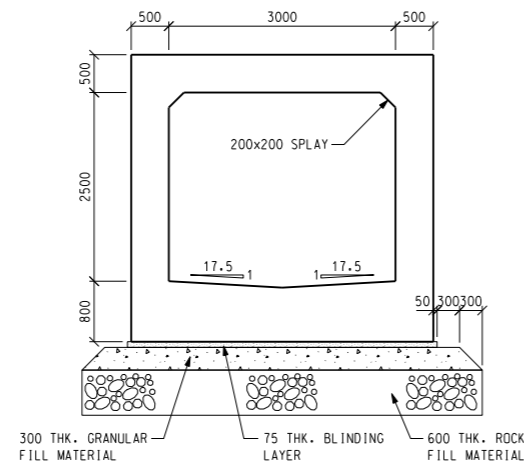
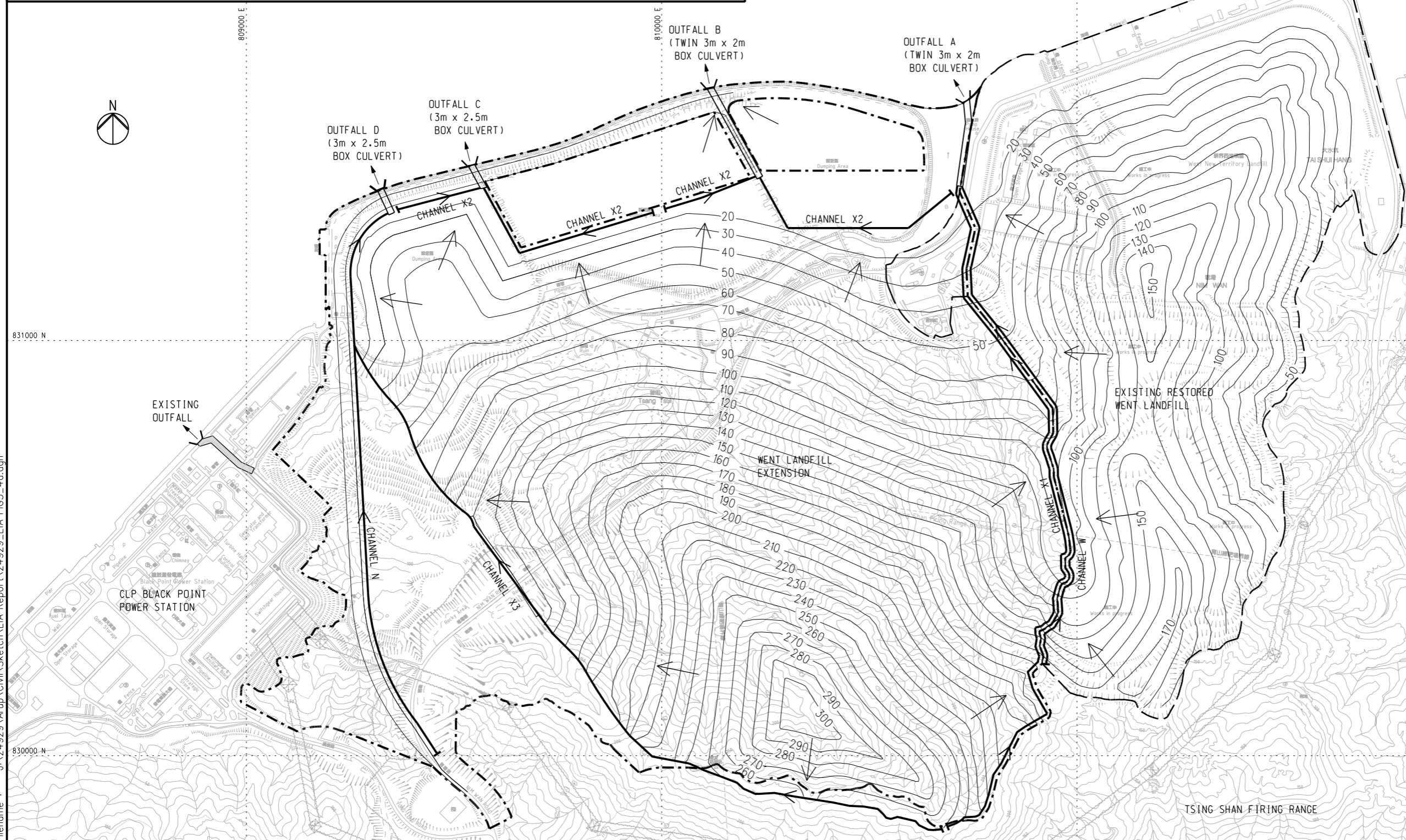


TYPICAL CROSS SECTION OF BOX CULVERT FOR OUTFALL A & B
SCALE 1:100



TYPICAL CROSS SECTION OF BOX CULVERT FOR OUTFALL C & D
SCALE 1:100

- LEGEND**
- BOUNDARY OF EXISTING WENT LANDFILL
 - BOUNDARY OF WENT LANDFILL EXTENSION
 - PROPOSED CHANNEL
 - PROPOSED DRAINAGE FACILITIES (CULVERT & OUTFALL)
 - SURFACE FLOW DIRECTION



Rev	Description	By	Date
-	FIRST ISSUE	PM	03/09
Consultant			
ARUP 奧雅納工程顧問 Ove Arup & Partners Hong Kong Limited			
Project title			
Agreement No. CE 43/2006 (EP) West New Territories (WENT) Landfill Extensions Feasibility Study			
Drawing title			
PROPOSED DRAINAGE LAYOUT			
Drawing no.		Rev.	
FIGURE 5.4a		-	
Drawn	Date	Checked	Approved
CSK	03/09	PM	FW
Scale	Status		PRELIMINARY
1 : 10000 ON A3			

COPYRIGHT RESERVED

環境保護署
廢物設施組
Environmental Protection Department
Waste Facilities Group

Printed by : reman yick
Filename : J:\24929\Arup\Civil\Sketch\EIA-Report\24929_EIA-FIG5_4a.dgn
3/6/2009