

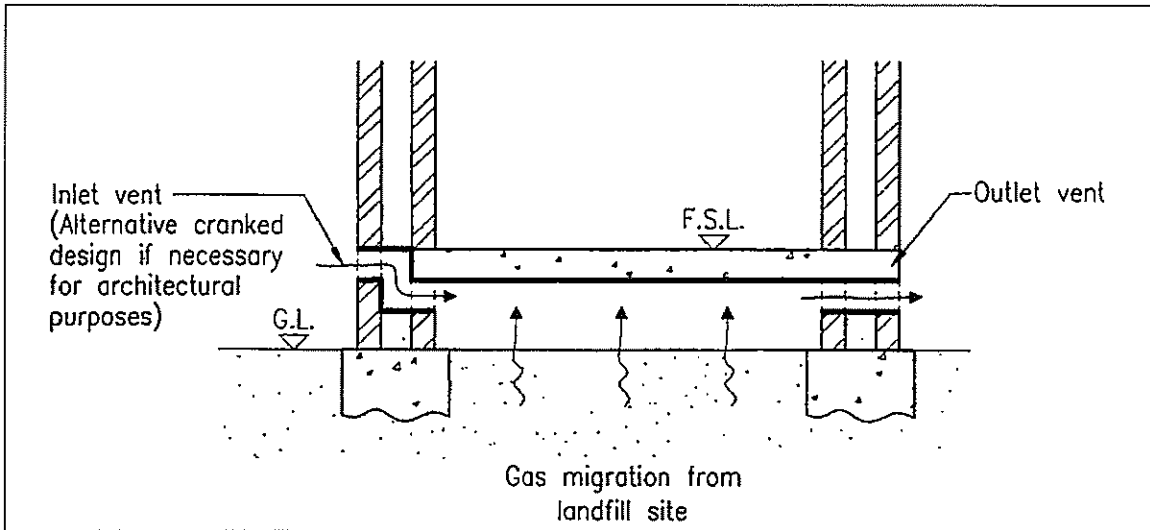
APPENDIX 7.4

**Specific Landfill Gas
Protection Measures for
Building Services**

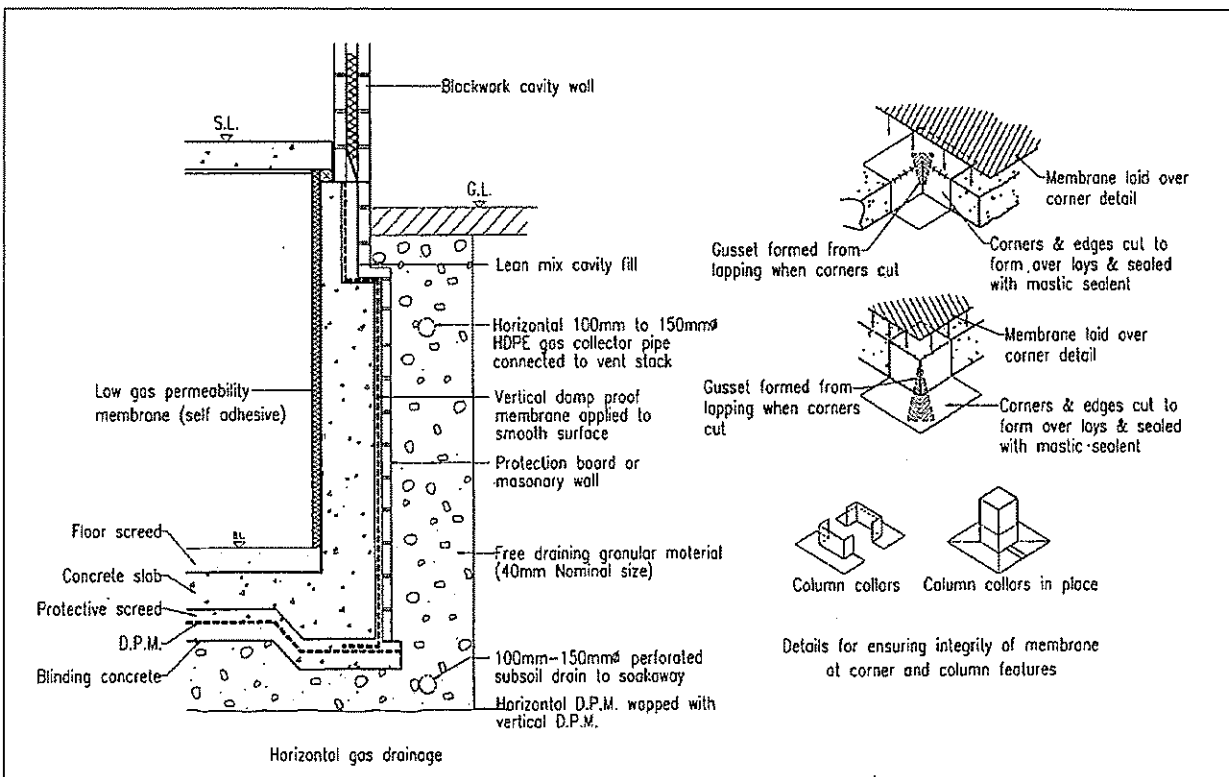
Building Protection Design Measures

There are a number of protection measures commonly adopted for protection of developments adjacent to landfills. These include both passive and active control system.

(a) Passive Control Systems :

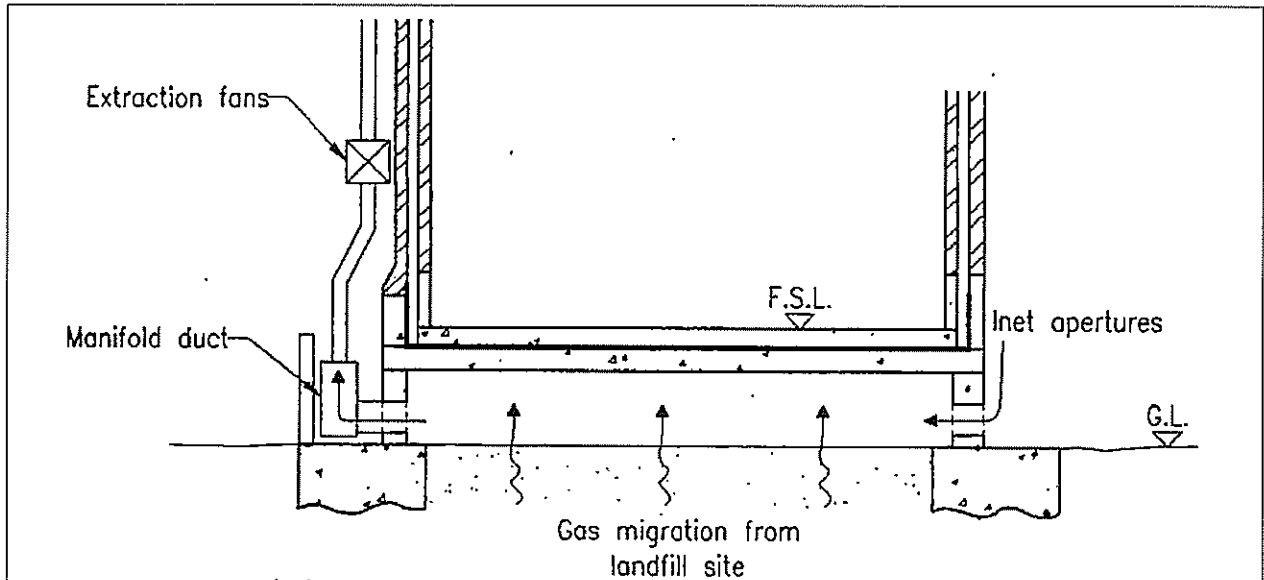


Sub-floor venting system



Typical details for flexible membrane protection measures

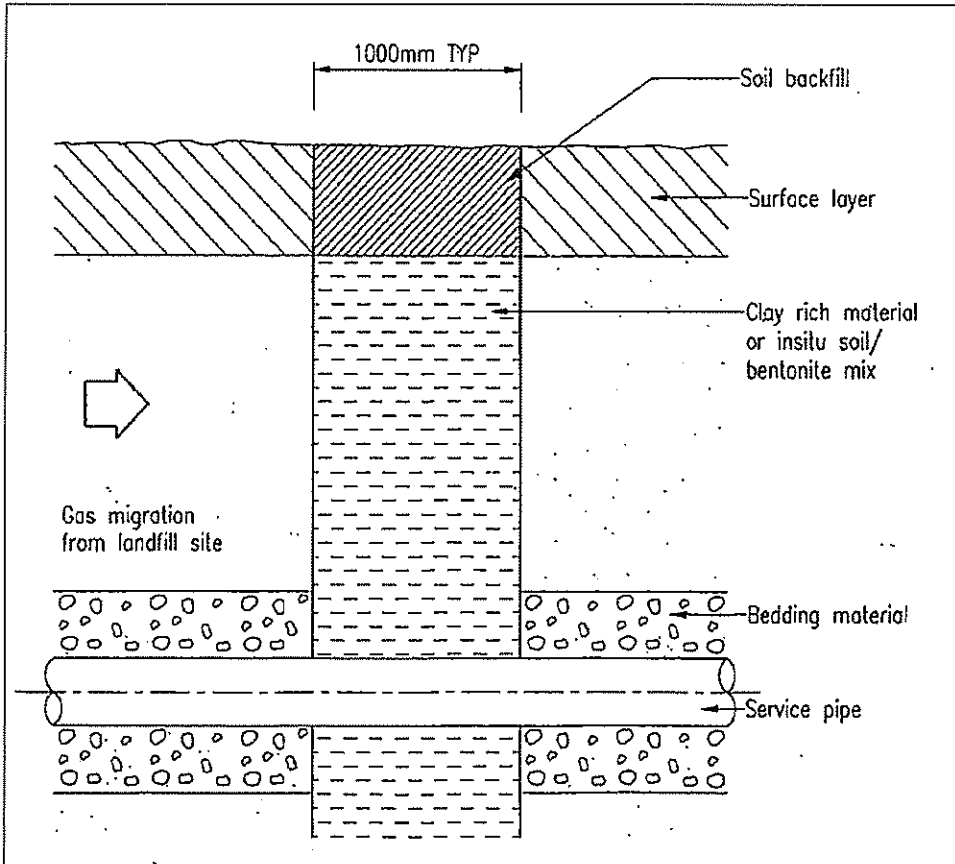
(b) Active Control Systems :



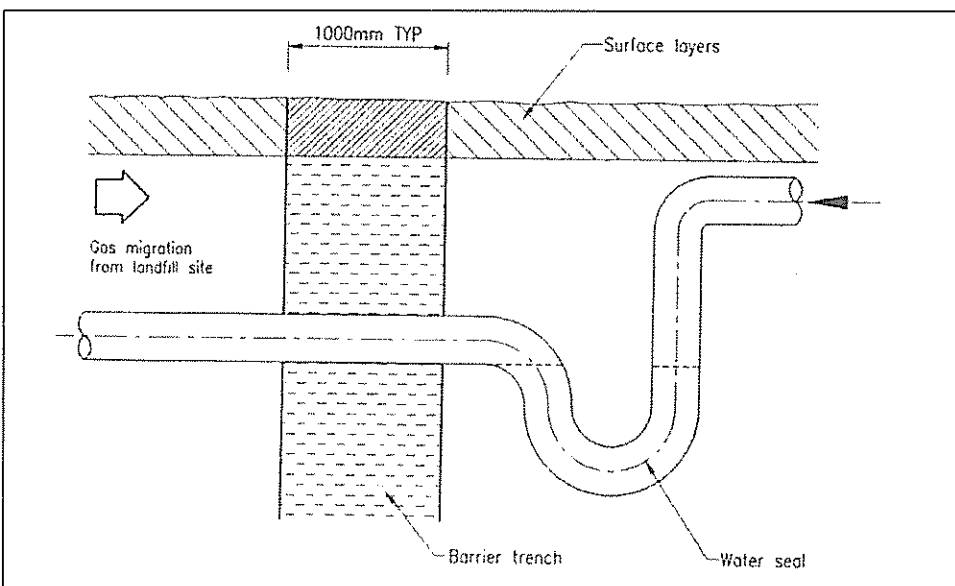
Sub-floor venting system

Design Measures for Sub-surface Building Services

(a) Gas Barriers

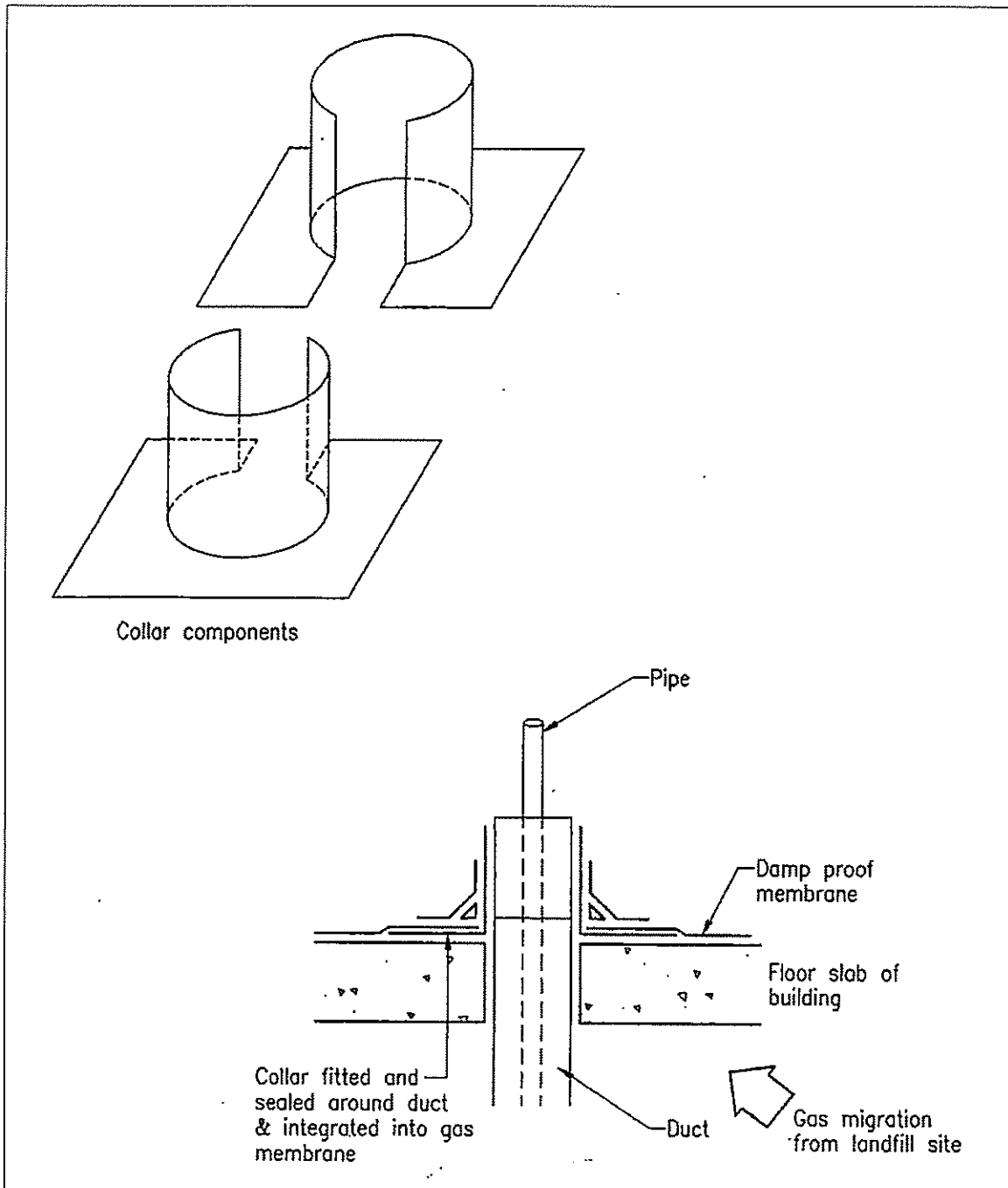


Natural material cut-off barrier

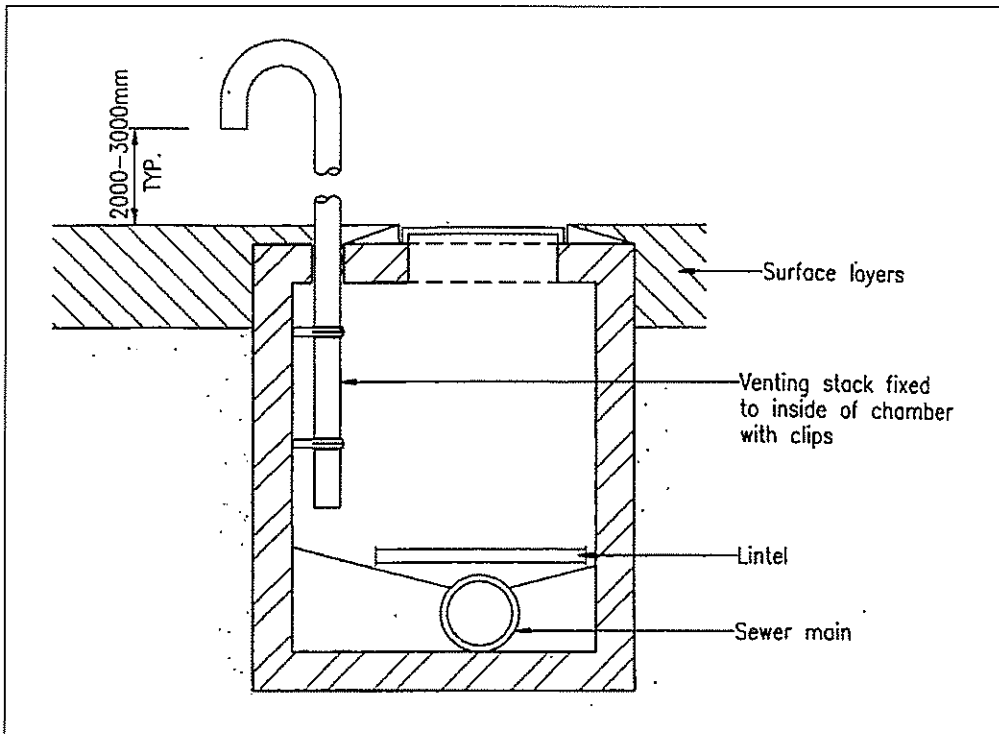


Open conduit protection by water seal

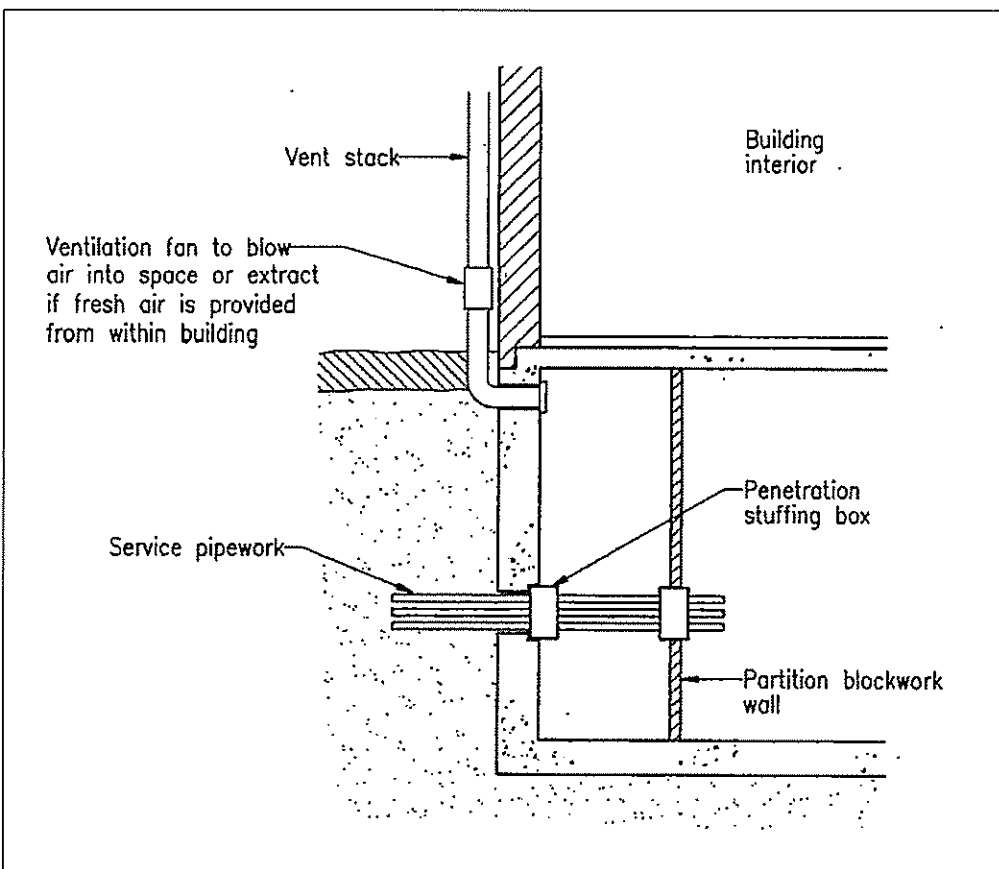
(b) Gas Vents



Typical detail of Collar Seal



Vented manhole



Vented Gas Interceptor Cavity