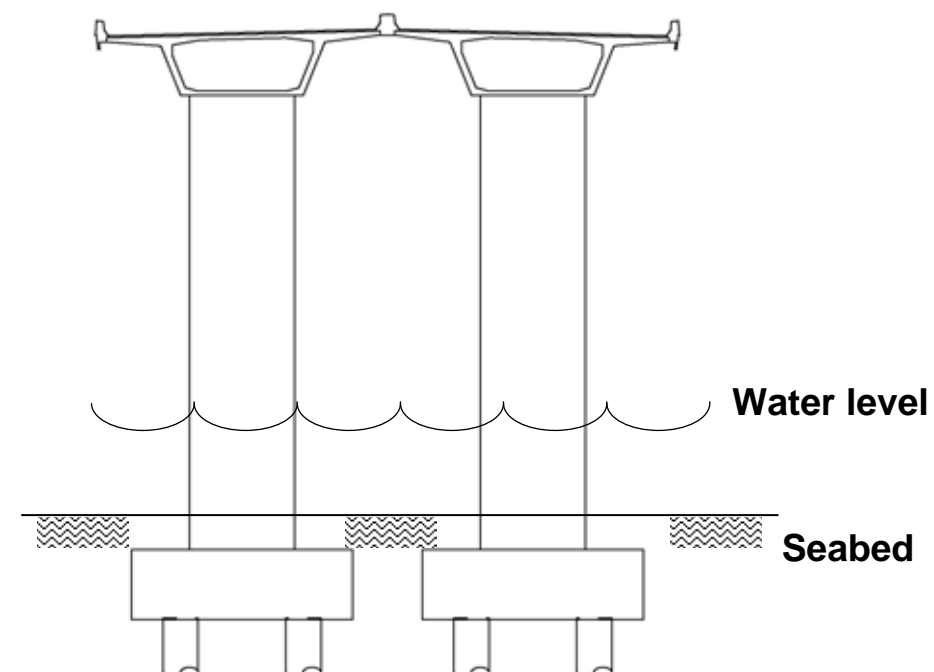
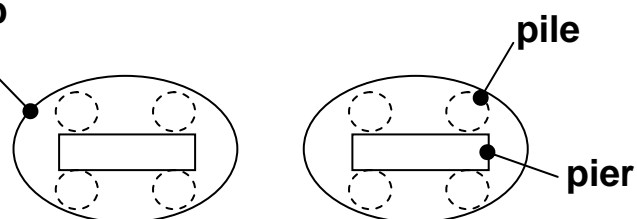


**Typical Section for Sea Viaduct outside Airport Channel  
i.e. in Western Waters  
(Pilecaps to be emerged i.e. within tidal level)**

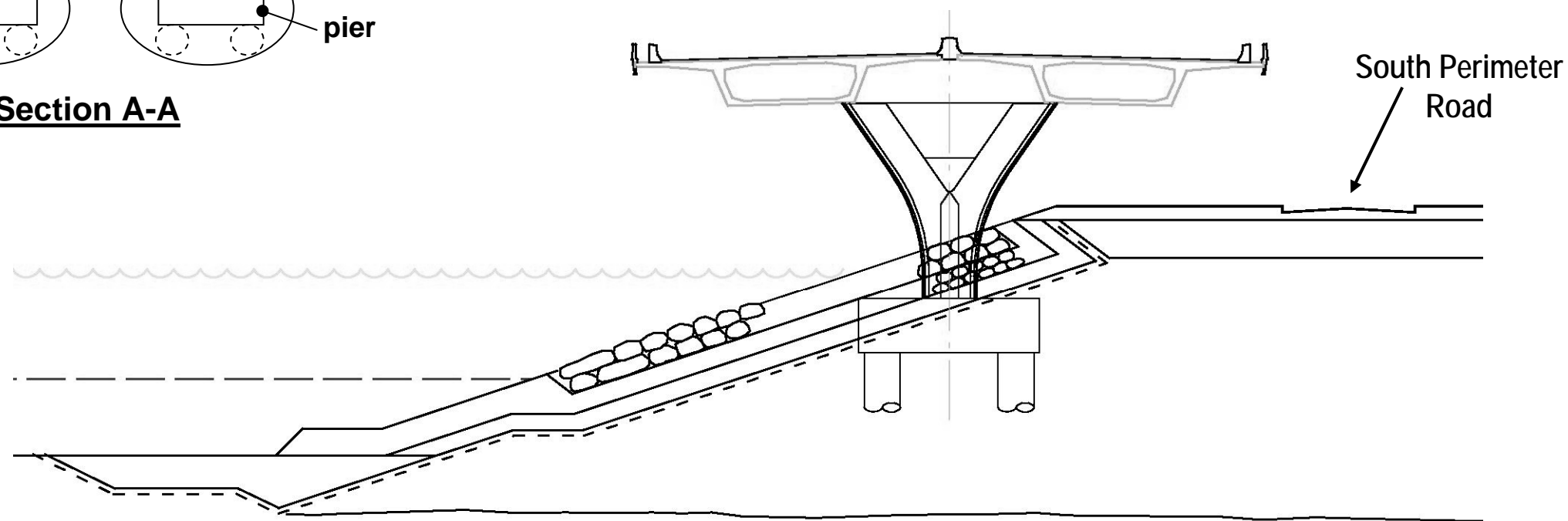


**Typical Section for Sea Viaduct within Airport Channel  
(Pilecaps to be embedded i.e. below channel-bed)  
Note: except at navigation span where pilecaps are to be emerged**

emerged-type pilecap  
with rounded edges



**Section A-A**



**Typical Section for Viaduct along South Perimeter Road**