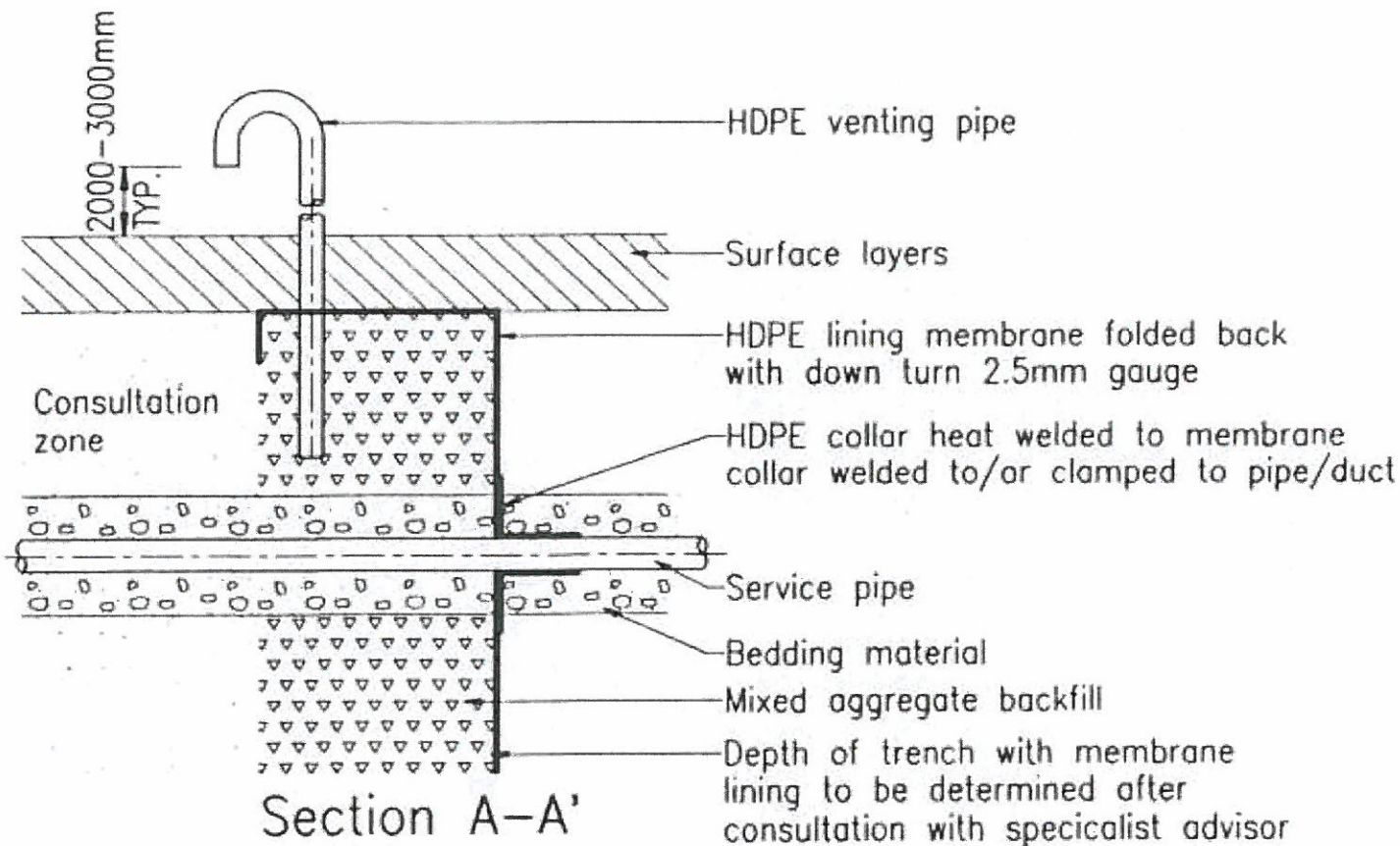
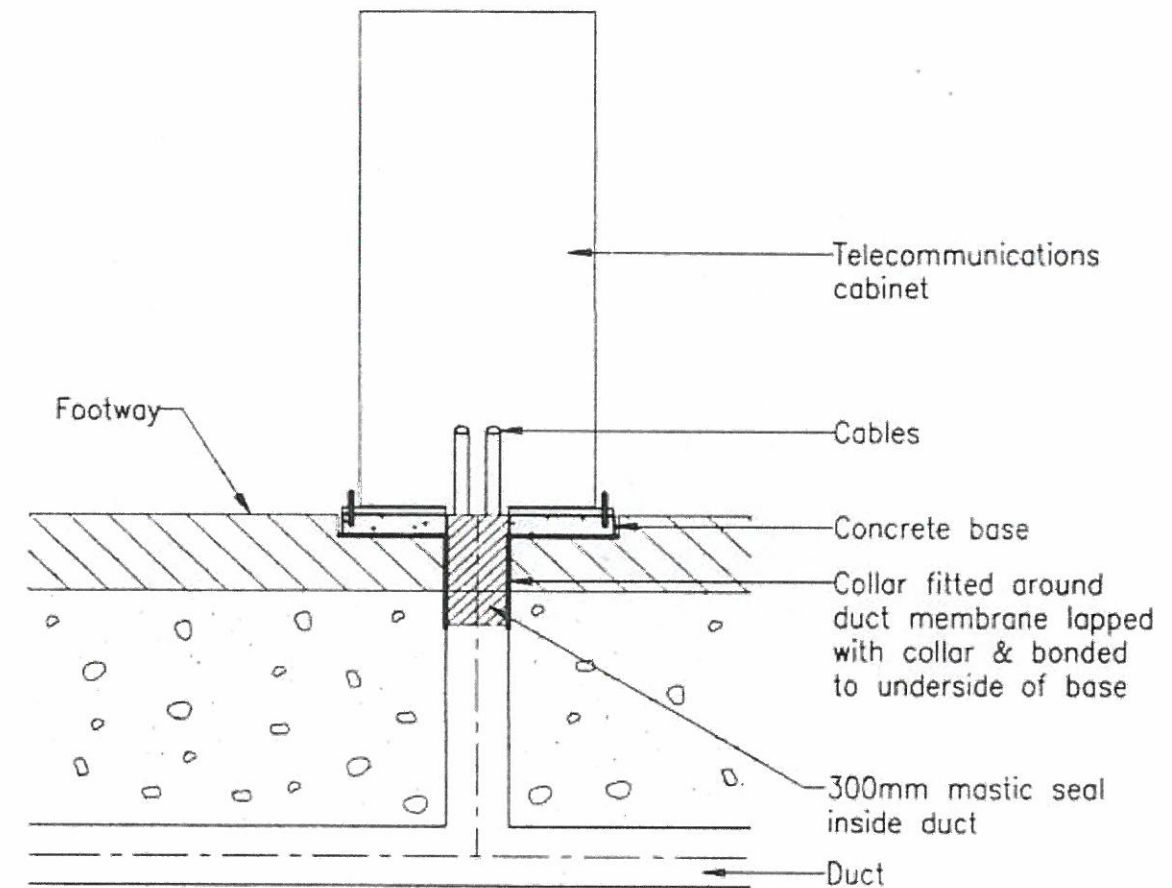


Detail A : end of SRC



Section A-A'



TYPICAL SURFACE DETAIL FOR ABOVE GROUND TERMINATION OF SERVICES WITHIN THE CONSULTATION ZONE (CROSS-SECTION)