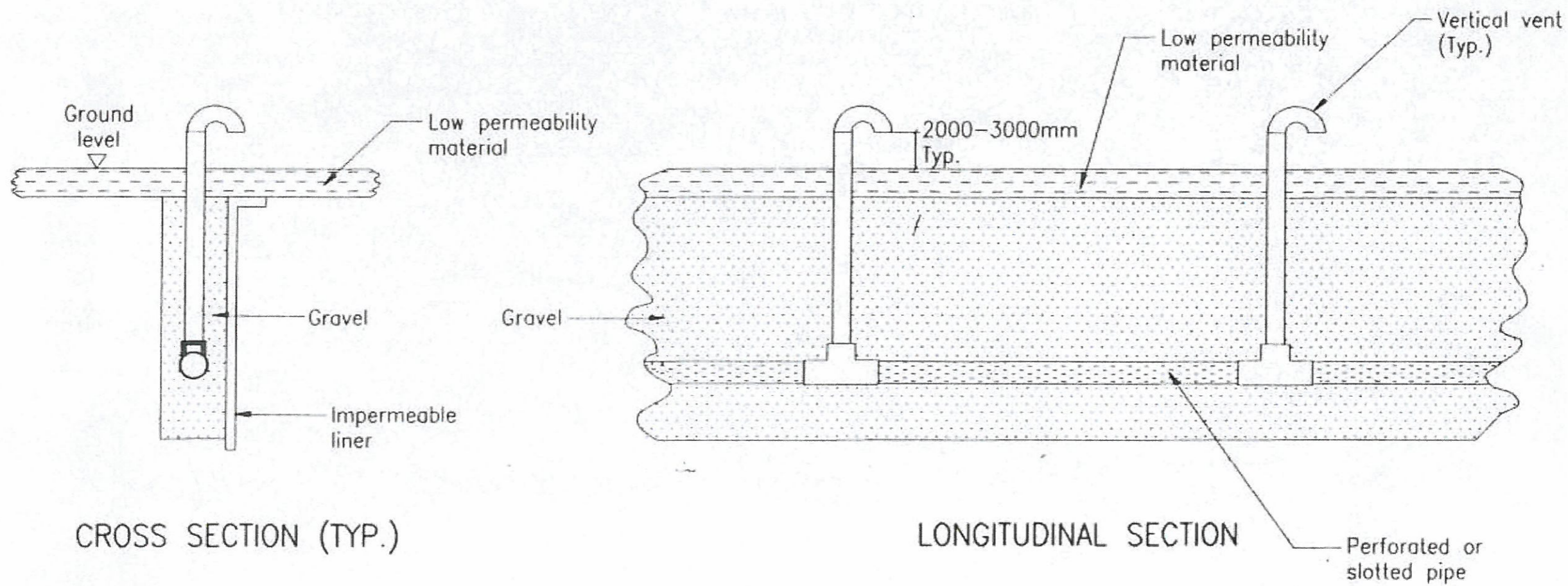
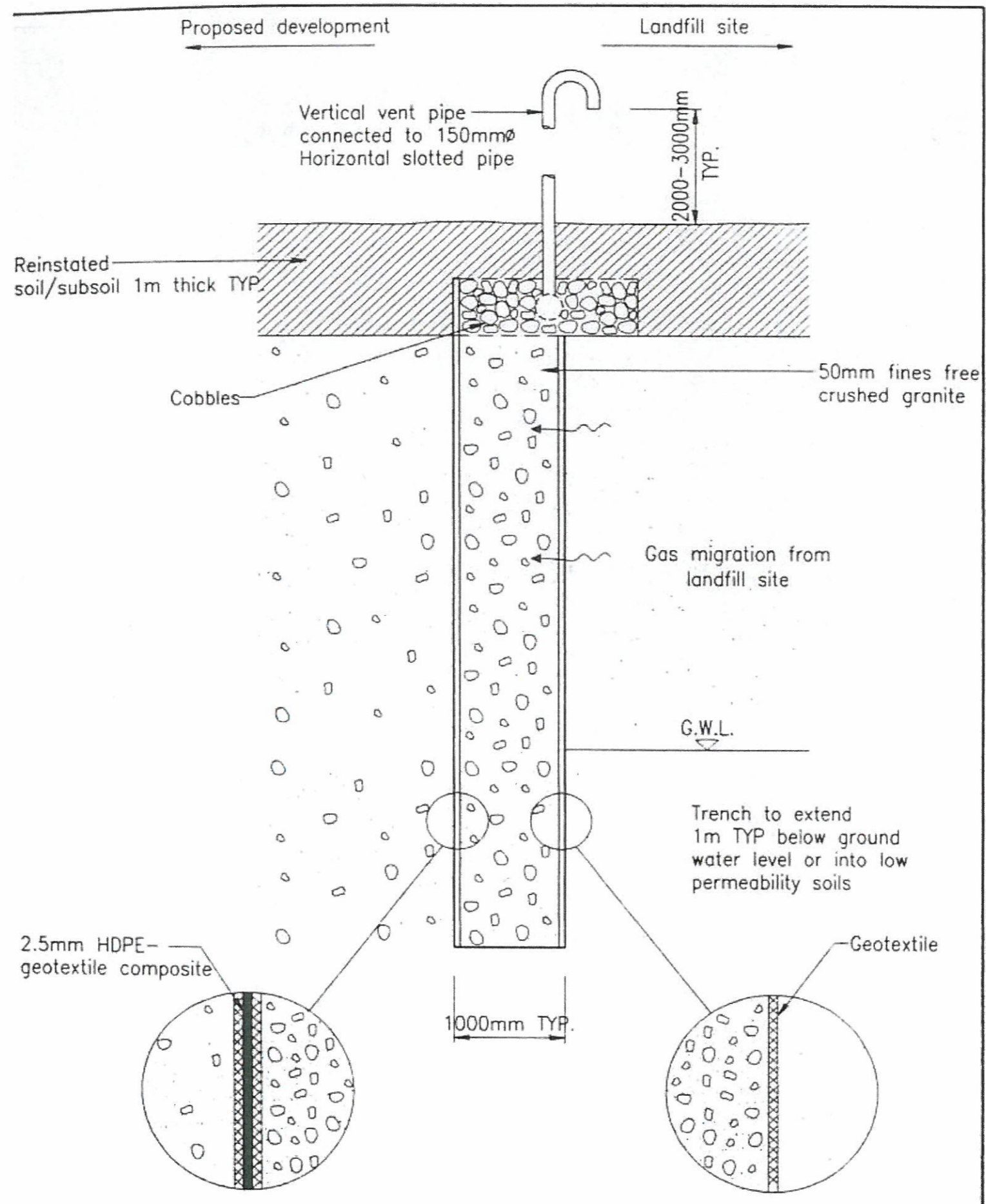
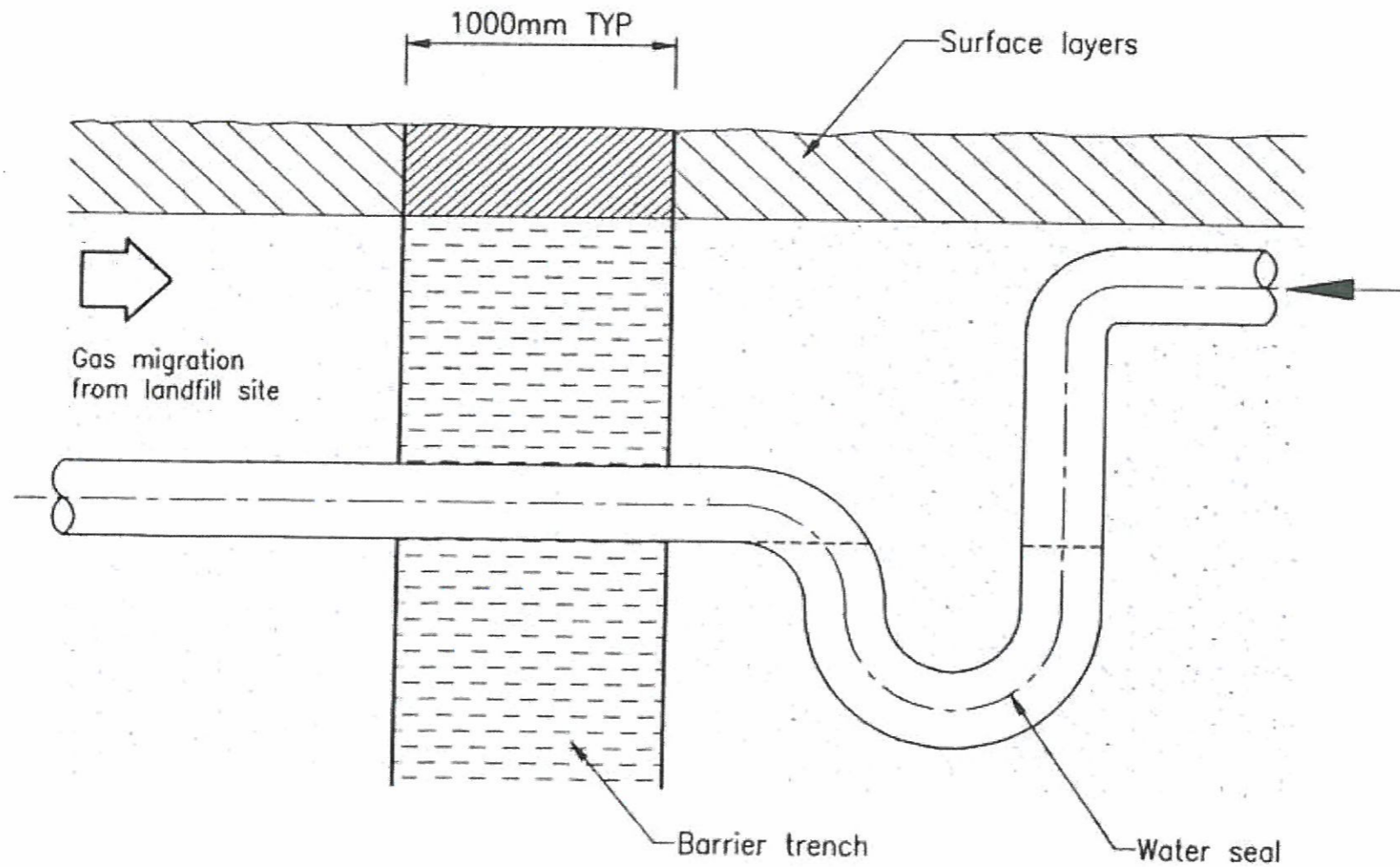


← Landfill site Proposed development →

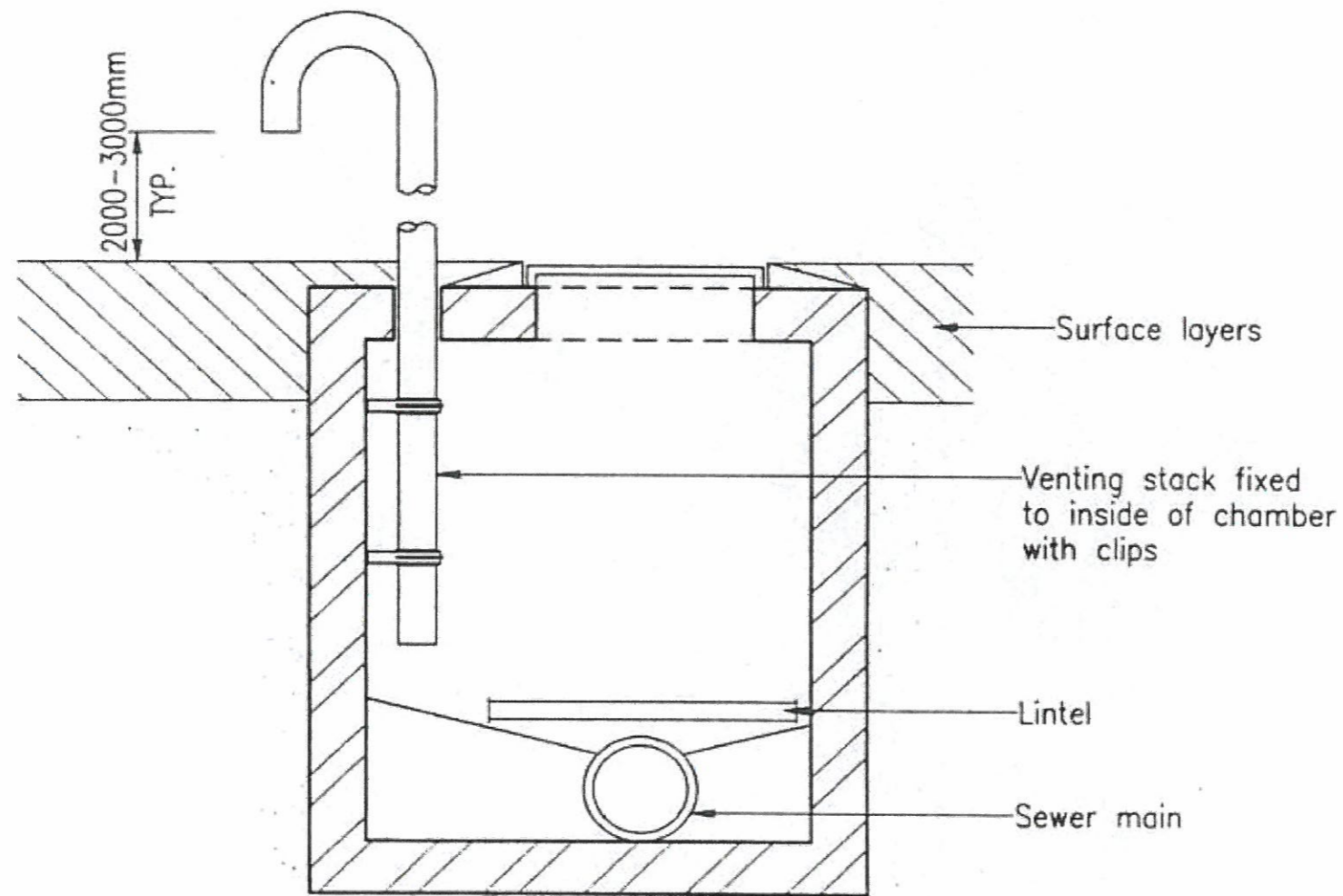


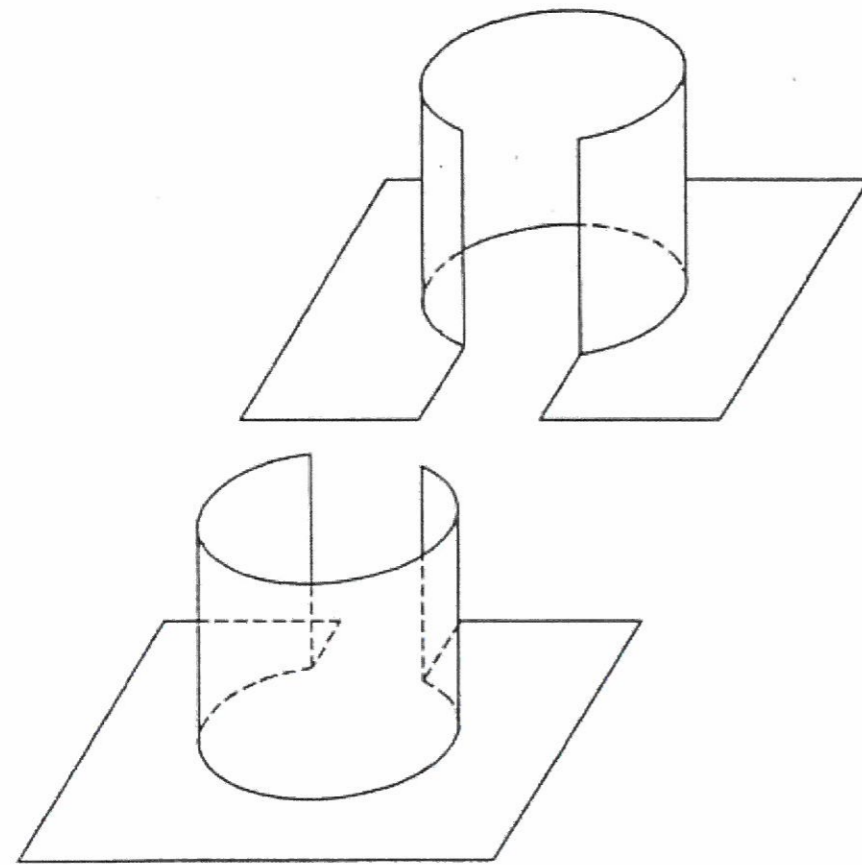


SCALE	N.T.S.	DATE	May-09
CHECK		DRAWN	
JOB NO.	60044963	DRAWING No.	14.9
		Rev	-



SCALE	N.T.S.	DATE	May-09
CHECK		DRAWN	
JOB NO.	60044963	DRAWING No.	14.10
		Rev	-





Collar components

